

Engine

C-MAX Tier 2 (2003- ) - RS20 - 110

RS20\000020625.png

A-05  
01



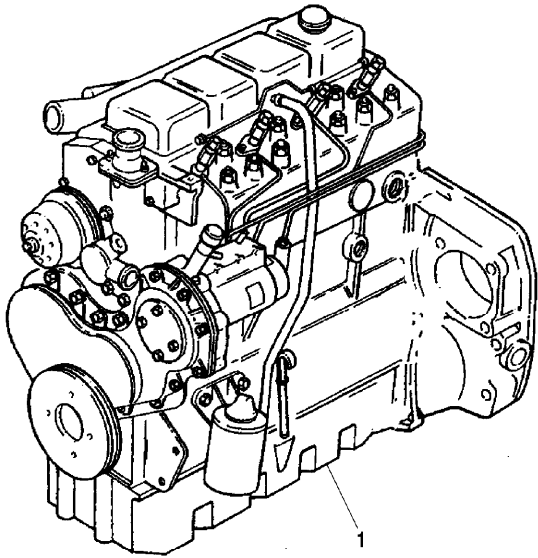
A0501

Engine assembly

Inglese

1 6512847M91

"perkins - rs81831 1 Engine  
110cv



Engine

C-MAX Tier 2 (2003- ) - RS20 - 110

RS20\00002787.png

**A-05  
015**



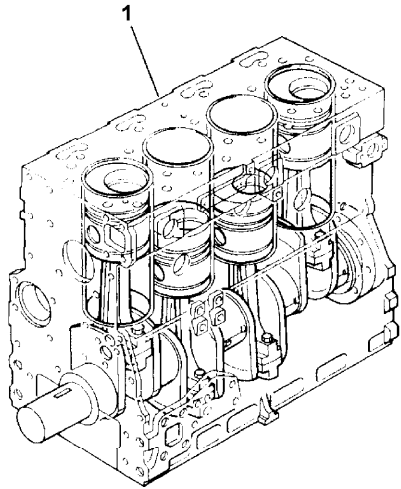
A05015

Short engine - for blue engine

1 RG40023

Inglese

1 Short engine



Engine

C-MAX Tier 2 (2003- ) - RS20 - 110

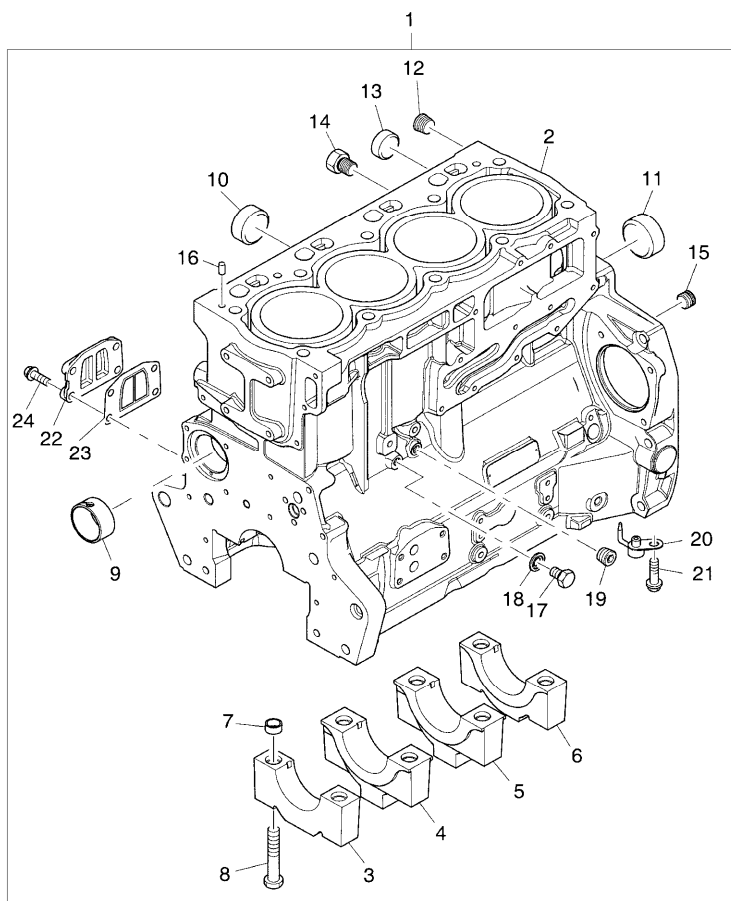
**A-05  
02**



A0502

Cylinder block

RS20\000015072.png



1 ZZ50325

2 ! 1

➡ Ref.n.1

3 ! 1

➡ Ref.n.1

4 ! 1

➡ Ref.n.1

5 ! 1

➡ Ref.n.1

6 ! 1

➡ Ref.n.1

7 33142111 ! 1

8 32166329 ! 1

9 3112D075 ! 1

10 3241A011 ! 1

11 3241A012 ! 1

12 0650588 ! 1

13 0650710 ! 1

14 32141316 ! 1

15 3212P008 ! 1

16 3244A009 ! 1

17 2314C049 ! 1

18 2415D053 ! 1

19 0650594 ! 1

20 2113A003 ! 1

**Inglese**

1 Kit

1 Cylinder block

1 Bearing

2 Bearing

1 Bearing

1 Bearing

10 Manicott

10 Screw

1 Bush

2 Plug

1 Plug

1 Plug

1 Plug

1 Plug

1 Plug

2 Dowel

1 Screw

1 Washer

1 Plug

4 Atomiser

**<https://www.ebooklibonline.com>**

Hello dear friend!

Thank you very much for reading.

Enter the link into your browser.

The full manual is available for immediate download.

**<https://www.ebooklibonline.com>**

Engine

C-MAX Tier 2 (2003- ) - RS20 - 110

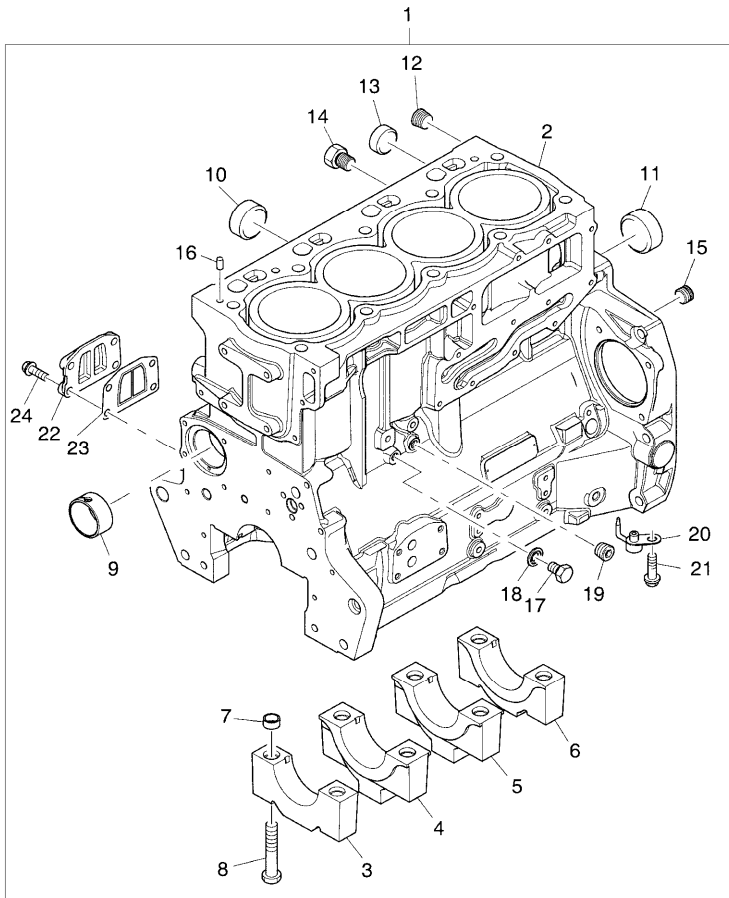
RS20\000015072.png

A-05  
02



A0502

Cylinder block



- 21 2314F001 ! 1
- 22 3753A071 ! 1
- 23 3688A041 ! 1
- 24 2314H034 ! 1

! This is a component of an assembly  
Not serviced, order

Inglese

- 4 Screw
- 1 Coperch.
- 1 Ring
- 4 Screw

Engine

C-MAX Tier 2 (2003- ) - RS20 - 110

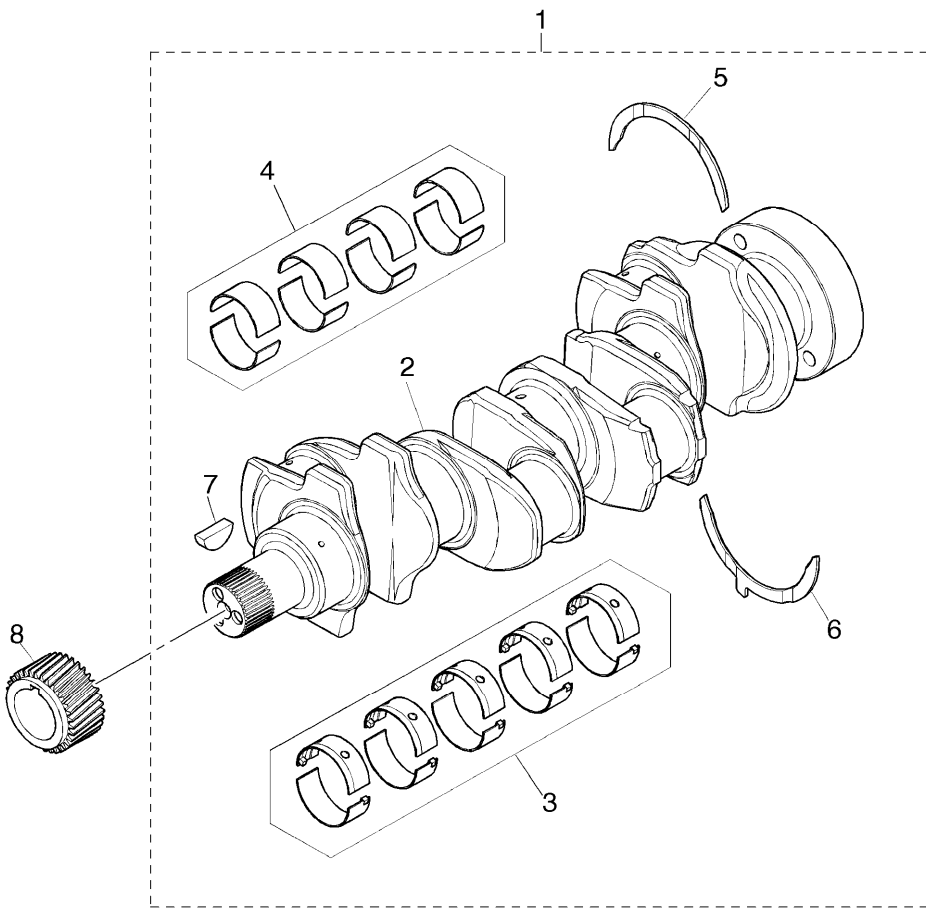
RS20\000022253.png

A-05  
03



A0503

Crankshaft



		Inglese	
1	ZZ90222	➔ U491476 t	1 Kit
		● ZZ90239(1)	
1	ZZ90237	➔ U491477 t	1 Shaft
2		! 1	1 Crankshaft
		➔ Ref.n.1	
3	U5MB0033	! 1	1 Kit
3	U5MB0033A	! 1	1 Kit
		⚡ -0.25 mm	
3	U5MB0033B	! 1	1 Kit
		⚡ -0.50 mm	
3	U5MB0033C	! 1	1 Kit
		⚡ -0.75 mm	
		● N.L.A.(1)	
4	T400002	! 1	1 Kit
		➔ U491477 t	
		● T410927(1)	
4	U5ME0034	! 1	1 Kit
		➔ U491476 t	
4	U5ME0034A	! 1	1 Kit
		⚡ -0.25 mm	
		➔ U491476 t	
4	U5ME0034B	! 1	1 Kit
		⚡ -0.50 mm	
		➔ U491476 t	

Engine

C-MAX Tier 2 (2003- ) - RS20 - 110

RS20\000022253.png

A-05  
03



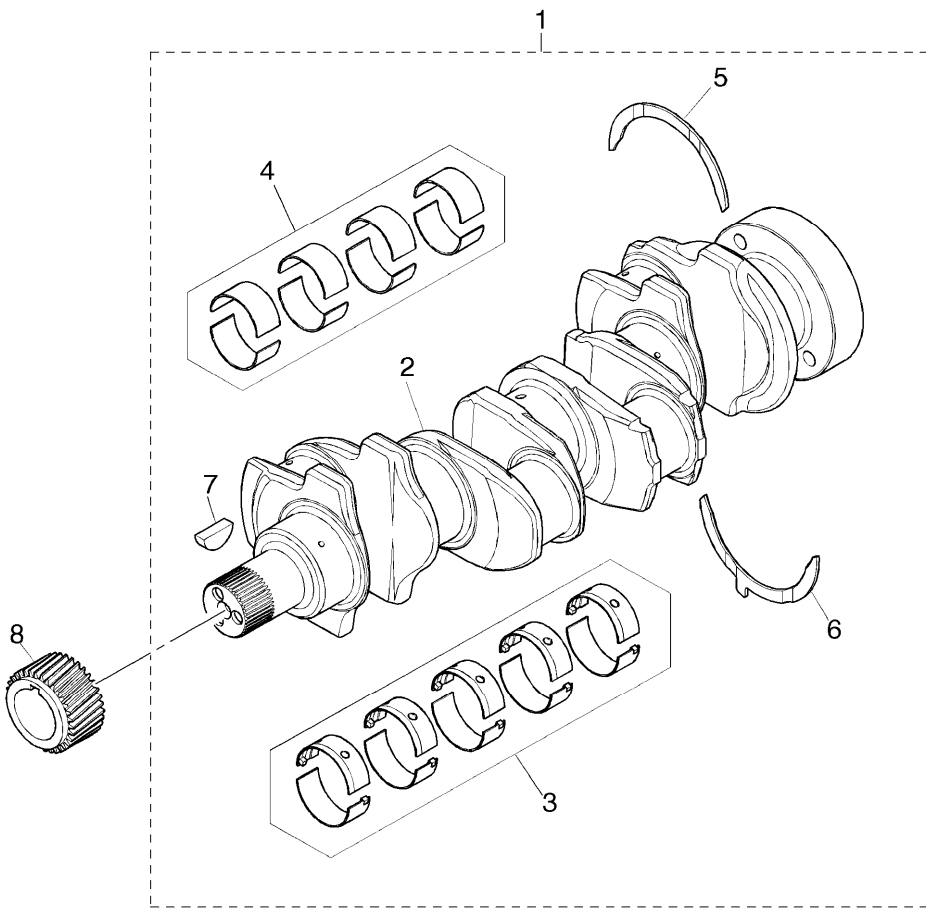
A0503

Crankshaft

Inglese

4	U5ME0034C	!	1	1 Kit
		⚡	-0.75 mm	
		➔	U491476 t	
5	31137312	!	1	2 Ring
		⚡	0.007 mm	
5	31137551	!	1	2 Washer
6	31137322	!	1	2 Ring
		⚡	0.007 mm	
6	31137561	!	1	2 Washer
7	0500012	!	1	1 Key
8	3117C221			1 Gear

- ! This is a component of an assembly
- ➔ From serial or engine number
- ➕ Up to serial or engine number
- ⚡ Not serviced, order
- ⚡ Shim
- ⦿ Replacement



Engine

C-MAX Tier 2 (2003- ) - RS20 - 110

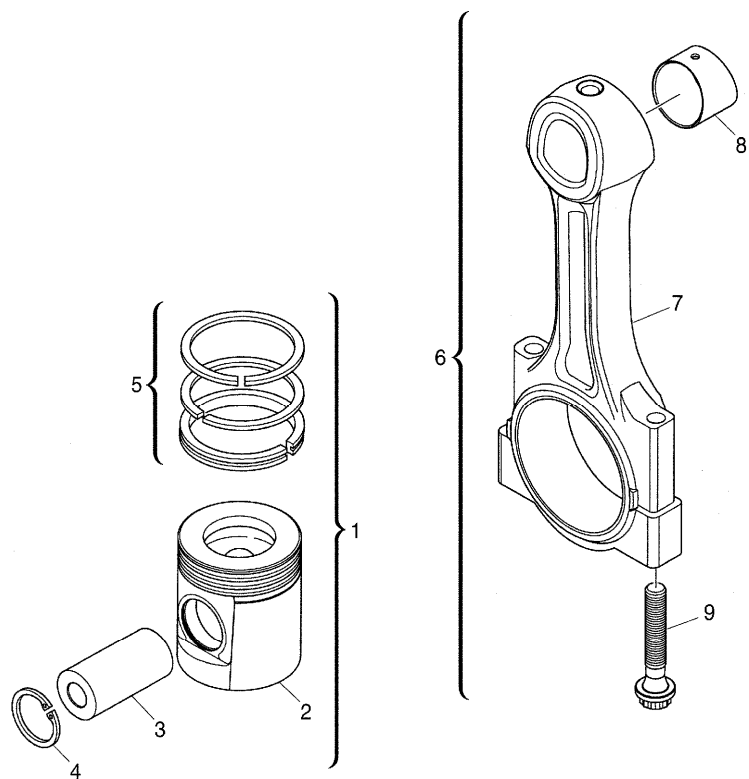
RS20\000020562.png

**A-05  
04**



A0504

Pistons and connecting rods



		Inglese
1	4115P015 G	4 Kit
	T-A 14:0	
1	4115P016  +0,5 mm	4 Kit
1	4115P017  +1,0 mm	4 Kit
2	! 1	1 Piston
	Ref.n.1	
3	! 1	1 Piston
	Ref.n.1	
4	2721332 ! 1	2 Ring
5	UPRK0002 ! 1	1 Kit
	(X) 1.2.5.	
	T-A 11:25	
6	4115C311  U491476 t	4 Kit
	A	
	T-A 14:0	
6	4115C312  U491476 t	4 Kit
	B	
	T-A 14:0	
6	4115C313  U491476 t	4 Kit
	C	
	T-A 14:0	
6	4115C314  U491476 t	4 Kit
	D	
	T-A 14:0	

Engine

C-MAX Tier 2 (2003- ) - RS20 - 110

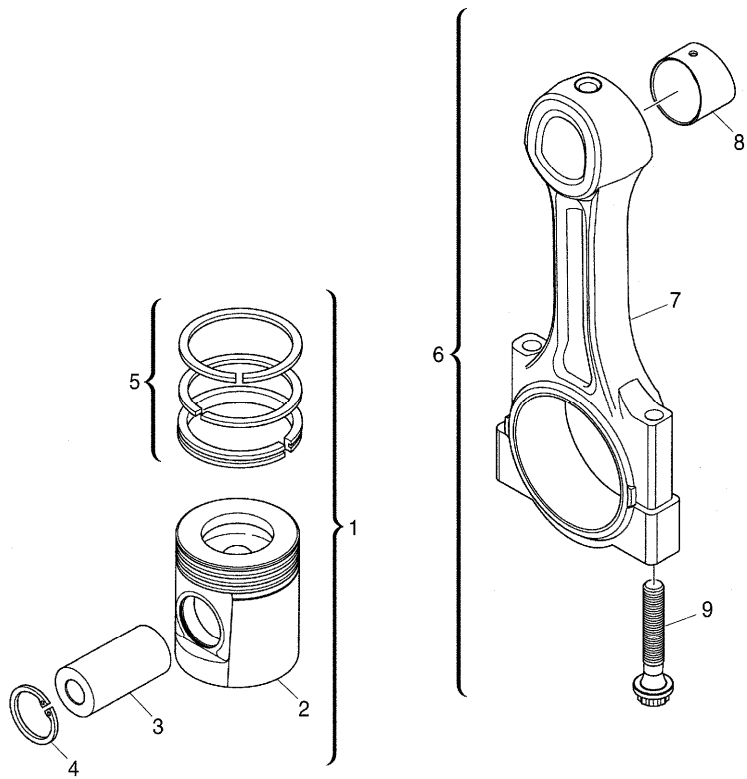
RS20\000020562.png

A-05  
04



A0504

Pistons and connecting rods



		Inglese	
6	4115C315	➡ U491476 t	4 Kit
		E	
		T-A 14:0	
6	4115C316	➡ U491476 t	4 Kit
		F	
		T-A 14:0	
6	4115C361	➡ U491477 t	4 Conrod
		A	
6	4115C362	➡ U491477 t	4 Conrod
		B	
6	4115C363	➡ U491477 t	4 Conrod
		C	
6	4115C364	➡ U491477 t	4 Conrod
		D	
6	4115C365	➡ U491477 t	4 Conrod
		E	
6	4115C366	➡ U491477 t	4 Conrod
		F	
7		! 6	1 Conrod
		➡ Ref.n.6	
8	3112A005	! 6	1 Bush
		T-A 14:0	
9	3212V003	! 6	2 Screw
		➡ U491476 t	
9	T400001	! 6	2 Screw
		➡ U491477 t	

Engine

C-MAX Tier 2 (2003- ) - RS20 - 110

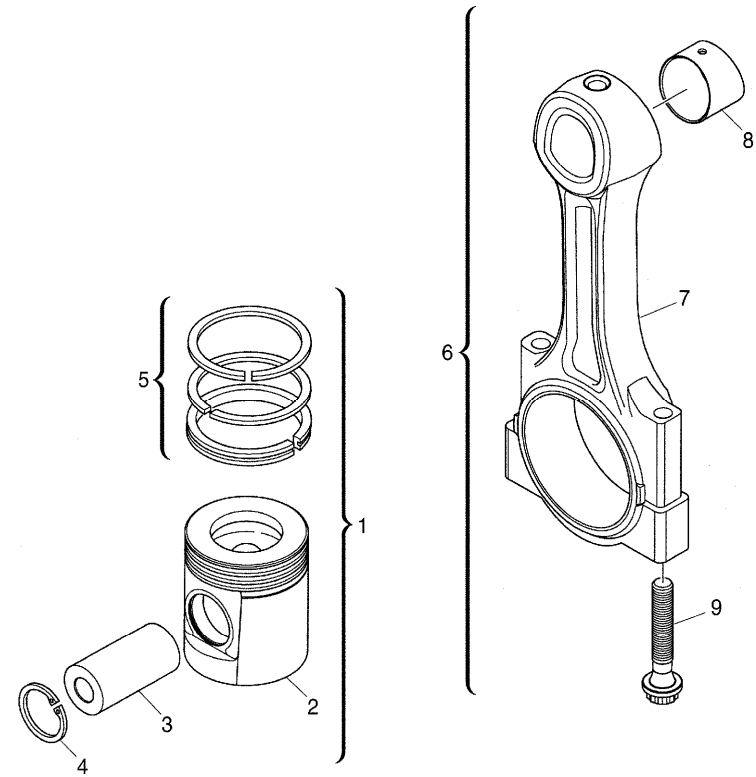
RS20\000020562.png

A-05  
04



A0504

Pistons and connecting rods



- ! This is a component of an assembly
- ➔ From serial or engine number
- ➡ Up to serial or engine number
- 🚫 Not serviced, order
- ⚡ Shim
- (X) Qty per tractors sold (aa.bbb.ccc.ddd) (aa) for 1,(bbb) 2-10 (ccc) 11-25 (ddd) 26-50
- T-A Replacement
- A Red
- B Orange
- C White
- D Green
- E Purple
- F Blue
- G Std

Engine

C-MAX Tier 2 (2003- ) - RS20 - 110

RS20\000020526.png

A-05  
05



A0505

End cover

Inglese

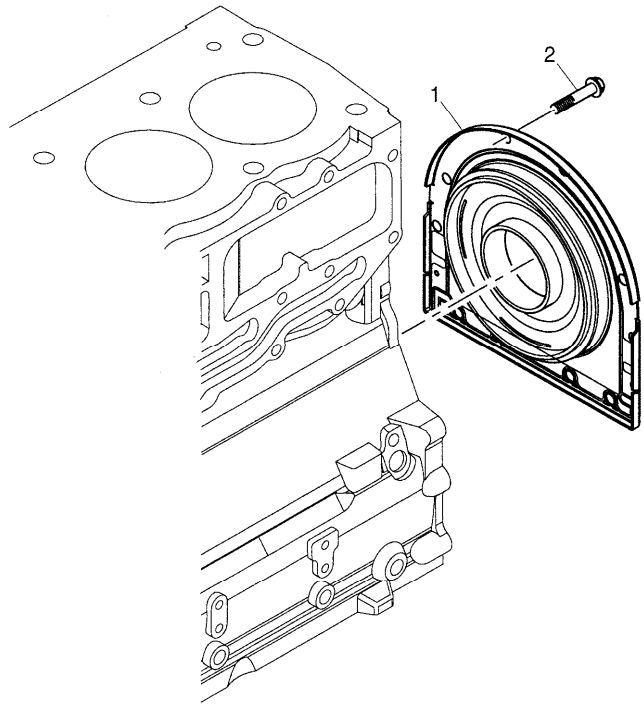
1 2418F704 T-A 9:0

2 3211C002

T-A Replacement

1 Housing

10 Screw



Engine

C-MAX Tier 2 (2003- ) - RS20 - 110

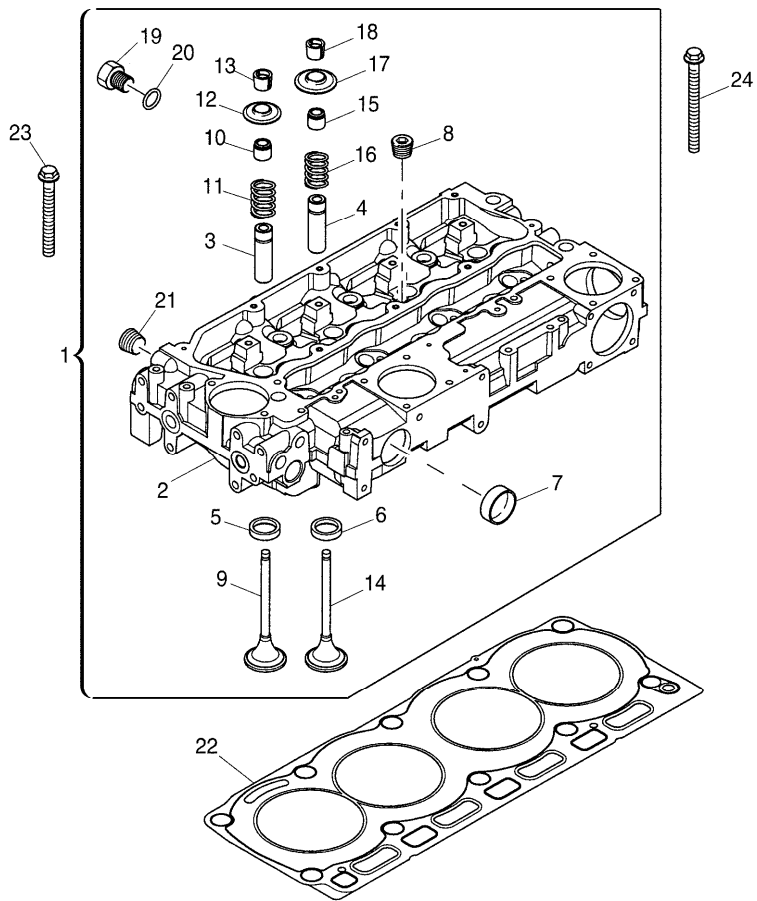
RS20\000020527.png

**A-05  
06**



A0506

Cylinder head



		Inglese	
1	ZZ80268	T-A 4:0	1 Kit
		T-B 7:50	
2		!	1 Head
		➡ Ref.n.1	
3	3313A012	!	4 Insert
		T-A 7:50	
4	3313A012	!	4 Insert
		T-A 7:50	
5	3314A241	!	4 Insert
		T-A 7:50	
6	3314A231	!	4 Insert
		T-A 7:50	
7	32416117	!	2 Plug
8	0650588	!	4 Plug
9	3142H071	!	4 Valve
		T-A 7:50	
10	2418M519	T-A 3:0	4 Ring
11	3174A016	!	4 Spring
		T-A 3:0	
12	3342A011	!	4 Cover
		T-A 3:0	
13	3142W004	!	8 Cotter
		T-A 3:0	
14	3142A151	!	4 Valve
		T-A 7:50	

Engine

C-MAX Tier 2 (2003- ) - RS20 - 110

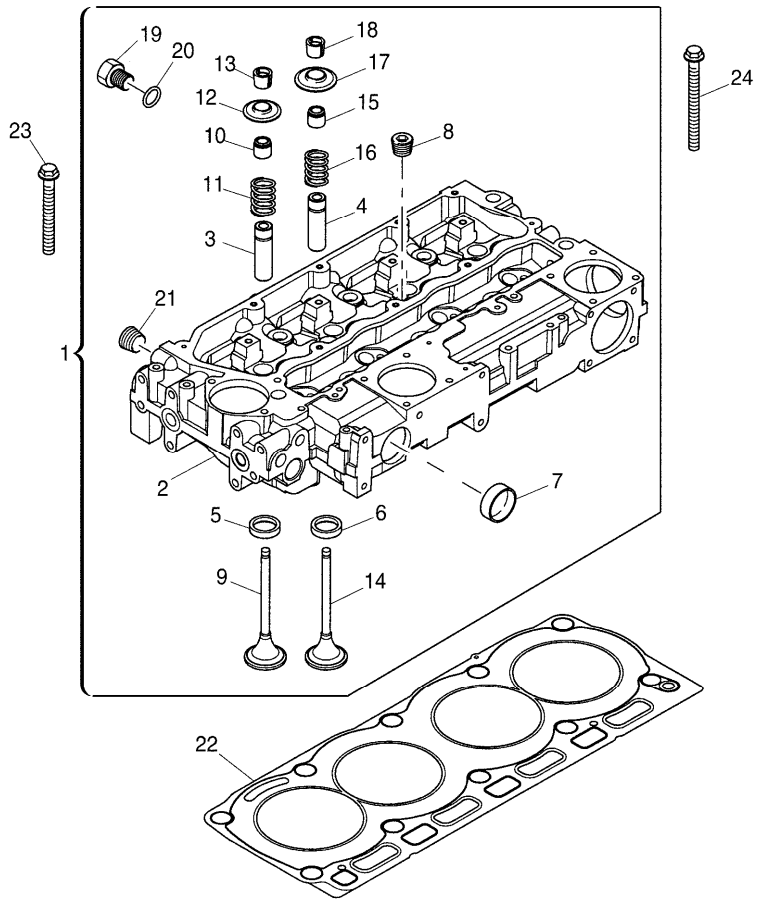
RS20\000020527.png

A-05  
06



A0506

Cylinder head



			Inglese
15	2418M517	! 1	4 Ring
		T-A 3:0	
16	3174A016	! 1	4 Spring
		T-A 3:0	
17	3342A011	! 1	4 Cover
		T-A 3:0	
18	3142W004	! 1	8 Cotter
		T-A 3:0	
19	3278A006	! 1	1 Plug
20	2415H003	! 1	1 Ring
21	2431154	! 1	1 Plug
22	3681E051	(X) 1.3.5.	1 Gasket
		T-A 4:0	
23	3218A011		7 Screw
24	3218A012		3 Screw
!	This is a component of an assembly		
🔧	Not serviced, order		
(X)	Qty per tractors sold (aa.bbb.ccc.ddd) (aa) for 1,(bbb) 2-10 (ccc) 11-25 (ddd) 26-50		
T-A	Replacement		
T-B	Overhaul		

Engine

C-MAX Tier 2 (2003- ) - RS20 - 110

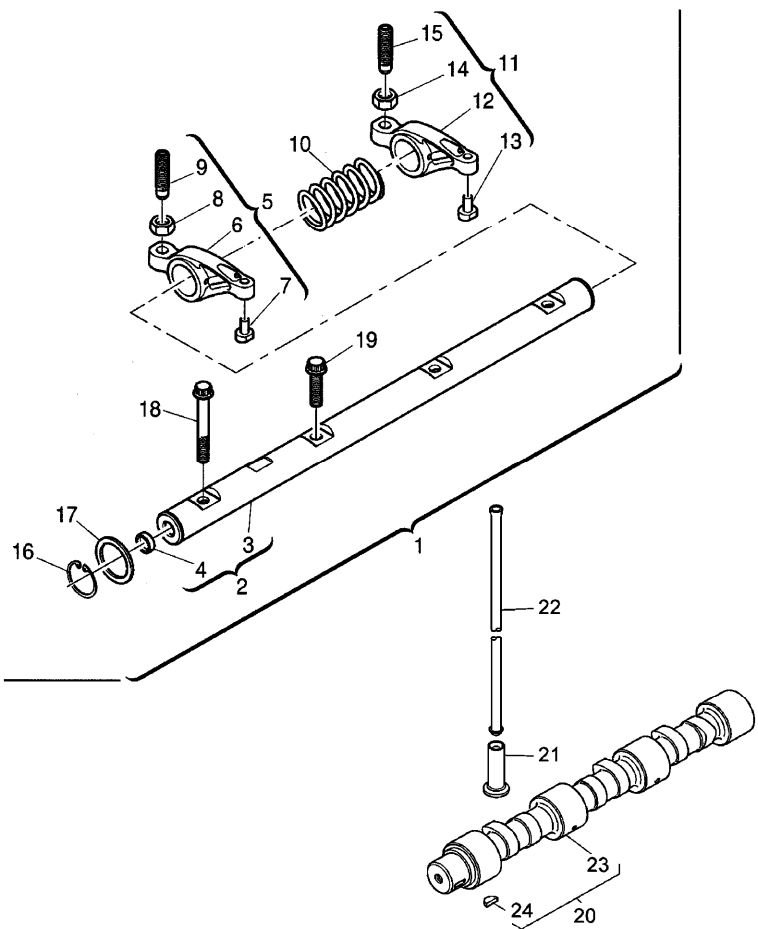
RS20\000015155.PNG

A-05  
07



A0507

Rocker shaft



				Inglese
1	4115R612	T-A 4:0	4:0	1 Rocker
2	4115R703	!	1	1 Shaft
		T-A 4:0	4:0	
3		!	2	1 Shaft
		➡	Ref.n.2	
4	2485A104	!	2	2 Plug
5	4115R314	!	1	4 Rocker
		T-A 4:0	4:0	
6		!	5	1 Rocker
		➡	Ref.n.5	
7		!	5	1 Pad
		➡	Ref.n.5	
8	0576052	!	5	1 Nut
9	32114145	!	5	1 Screw
10	3174A015	!	1	3 Spring
		T-A 4:0	4:0	
11	4115R315	!	1	4 Rocker
		T-A 4:0	4:0	
12		!	11	1 Rocker
		➡	Ref.n.11	
13		!	11	1 Pad
		➡	Ref.n.11	
14	0576052	!	11	1 Nut
15	32114145	!	11	1 Screw
		T-A 1:25	1:25	
16	2722A022	!	1	2 Ring

Engine

C-MAX Tier 2 (2003- ) - RS20 - 110

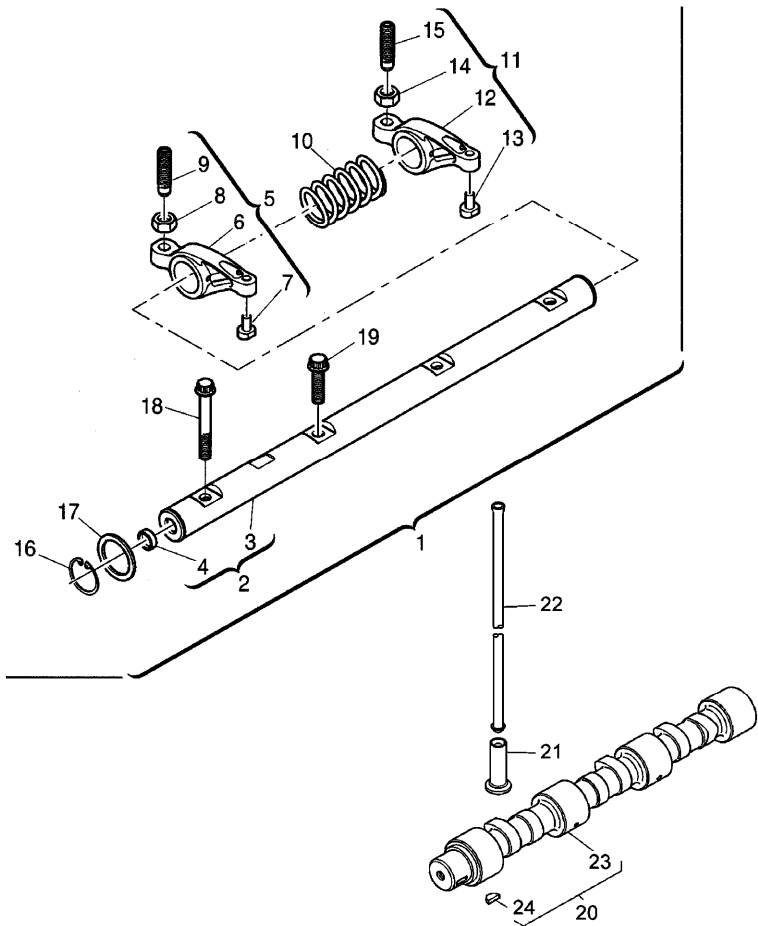
RS20\000015155.PNG

**A-05  
07**



A0507

Rocker shaft



17	2134A502	!	1	
18	2316A901	!	1	
19	2316A902	!	1	
20	4112K043	T-A	15:0	
21	3142U991	T-A	15:25	
22	31434307	T-A	2:75	
23		!	20	
		➡	Ref.n.20	
24	0500012	!	20	

! This is a component of an assembly  
 ➡ Not serviced, order  
 T-A Replacement

**Inglese**

2	Washer
1	Screw
3	Screw
1	Shaft
8	Tappet
8	Rod
1	Shaft
1	Key

Engine

C-MAX Tier 2 (2003- ) - RS20 - 110

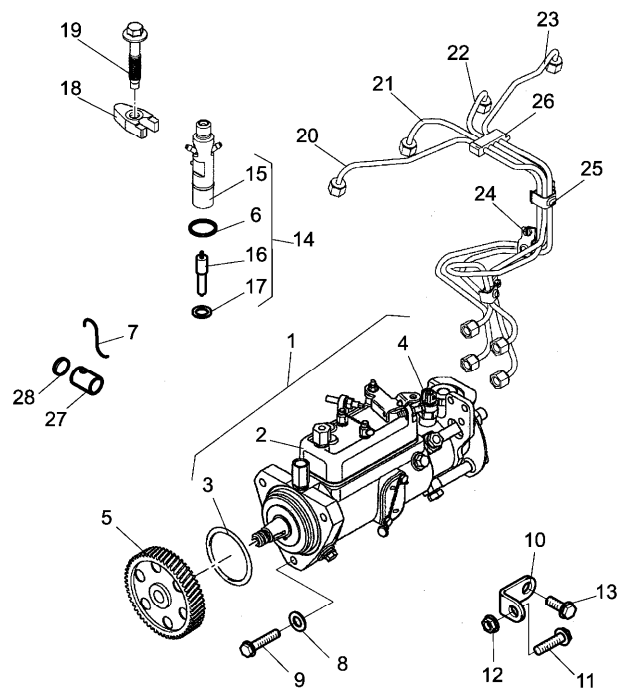
A-05  
08



A0508

Fuel injection equipment (diesel) - for blue engine

RS20\000014128.png



		Inglese	
1	2644H049	● N.L.S.(1)	1 Pump
2		! 1	1 Pump
		➡ Ref.n.1	
3	26420478	! 1	1 Ring
		● 26420318(1)	
4	26420469	! 1	1 Solenoid
		(X) 1.2.5.	
		T-A 0:25	
5	3117L261	T-A 4:50	1 Gear
6	26460064	! 14	1 Ring
7	31718143		1 Cable
8	2411D008		3 Washer
9	2314H004		3 Screw
10	3821A029		1 Stirrup
11	2314H003		1 Screw
12	2318A603		1 Nut
13	2314J002		1 Screw
14	2645K012		4 Atomiser
15		! 14	1 Support
		➡ Ref.n.14	
16	2645K612	! 14	1 Nozzle
17	L311FF02	! 14	1 Washer
		T-A 2:0	
18	3751A241	T-A 2:0	4 Clamp
19	2314W009		4 Screw

Engine

C-MAX Tier 2 (2003- ) - RS20 - 110

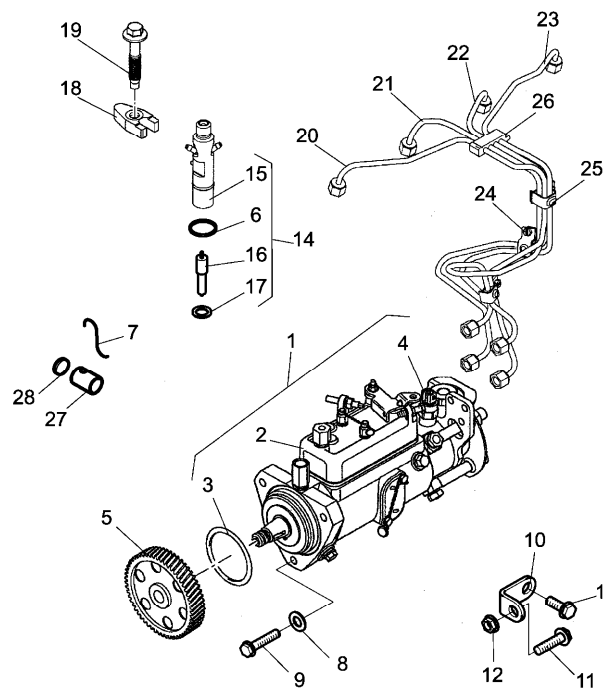
A-05  
08



A0508

Fuel injection equipment (diesel) - for blue engine

RS20\000014128.png



**Inglese**

20	3525A141	1	Pipe
21	3525A142	1	Pipe
22	3525A157	1	Pipe
23	3525A144	1	Pipe
24	2481Y011	1	Clip
25	2481Y012	1	Clip
26	2646E019	1	Clip
27	3281M002	1	Manicott
28	31718104	1	Sealer

! This is a component of an assembly

▣ Not serviced, order

● Replacement

(X) Qty per tractors sold (aa.bbb.ccc.ddd) (aa) for 1,(bbb) 2-10 (ccc) 11-25 (ddd) 26-50

T-A Replacement

Engine

C-MAX Tier 2 (2003- ) - RS20 - 110

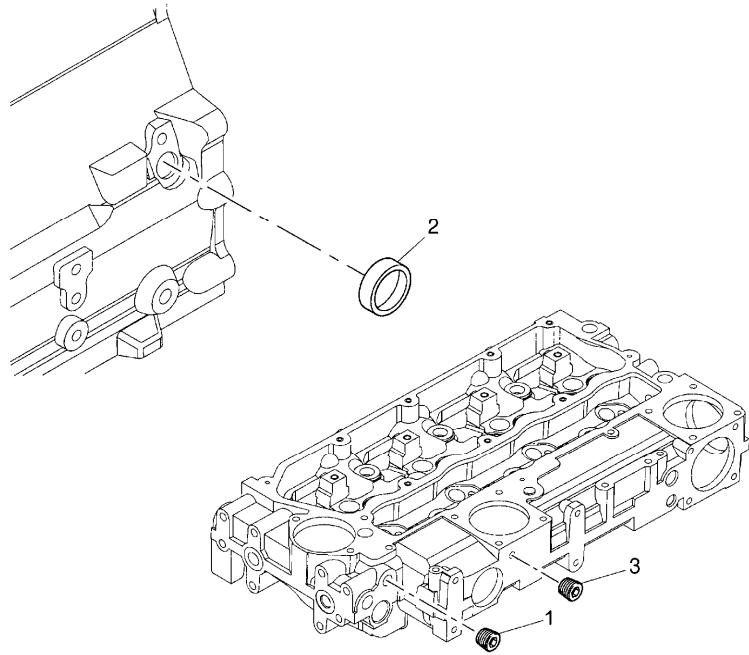
RS20\000014143.png

A-05  
09



A0509

Sensor pickup



- 1 0650586
- 2 2485A109
- 3 2431131 ● 0650594(1)
- Replacement

Inglese

- 1 Plug
- 1 Plug
- 1 Plug

Engine

C-MAX Tier 2 (2003- ) - RS20 - 110

RS20\000020588.png

**A-05**  
**10**

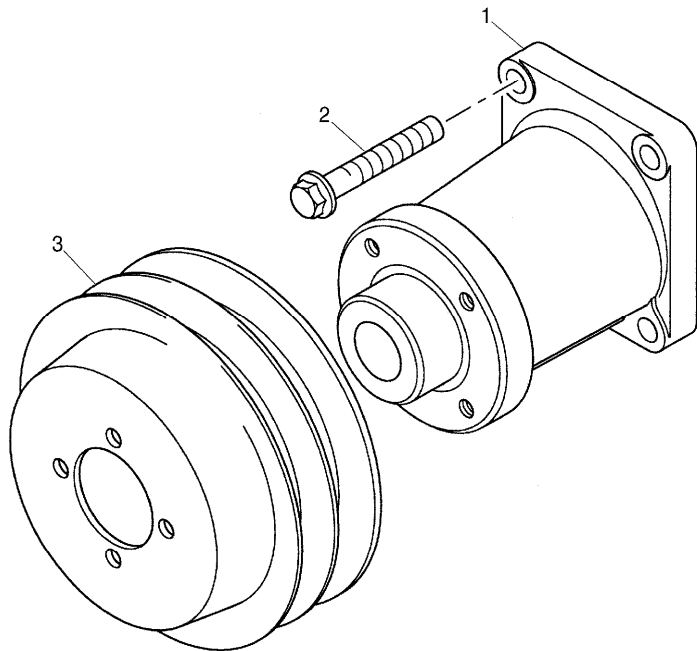


A0510

Fan-type pulley

**Inglese**

- |   |          |     |      |   |         |
|---|----------|-----|------|---|---------|
| 1 | 4113K005 | T-A | 1:75 | 1 | Housing |
| 2 | 2314J005 |     |      | 4 | Screw   |
| 3 | 3115C161 |     |      | 1 | Pulley  |
- T-A Replacement





**Suggest:**

**For more complete manuals. Please go to the home page.**

**<https://www.ebooklibonline.com>**

**If the above button click is invalid. Please download this document first, and then click the above link to download the complete manual.**

**Thank you so much for reading**

Engine

C-MAX Tier 2 (2003- ) - RS20 - 110

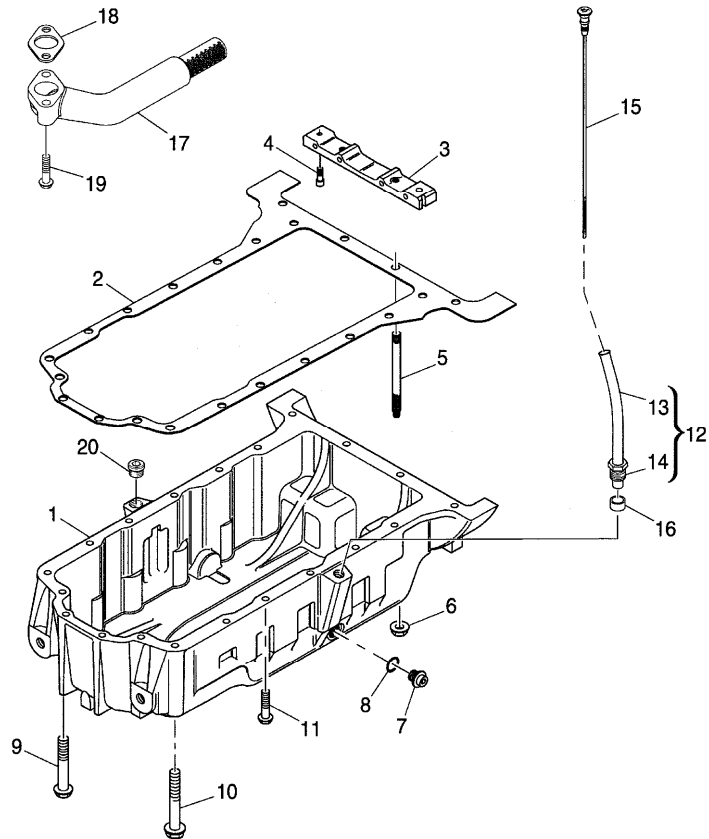
RS20\000014129.png

A-05  
11



A0511

Lubricating oil sump



1	3717E271	T-A	1:50	
2	3681K036	(X)	1.2.5.	
		T-A	1:50	
3	3627P041	T-A	1:50	
4	2311D039			
5	3211P013			
6	2318A603			
7	32186405	T-A	0:25	
8	2415715	T-A	0:25	
9	2314H023			
10	2314H022	●	2314H052(1)	
11	2314H015			
12	3577A125	T-A	0:25	
13		!	12	
		▶	Ref.n.12	
14	3353D005	!	12	
15	3178C081	T-A	0:25	
16	33812116			
17	3765A091	T-A	1:75	
18	36832137	T-A	1:75	
19	2314H006			
20	2431A016			

Inglese

1	Crankcase
1	Gasket
1	Crosspiece
2	Screw
2	Stud
2	Nut
1	Plug
1	Ring
5	Screw
1	Screw
12	Screw
1	Pipe
1	Pipe
1	Nut
1	Rod
1	Olive
1	Pipe
1	Gasket
2	Screw
1	Plug

- ! This is a component of an assembly
- ▶ Not serviced, order
- Replacement

Engine

C-MAX Tier 2 (2003- ) - RS20 - 110

A-05  
11



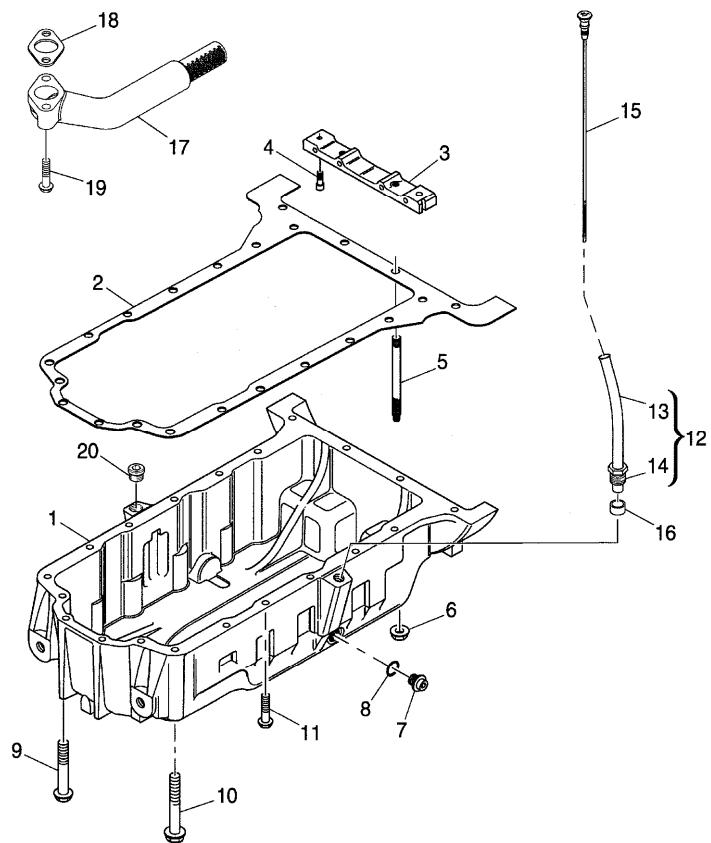
A0511

Lubricating oil sump

RS20\000014129.png

(X) Qty per tractors sold (aa.bbb.ccc.ddd) (aa) for 1,(bbb) 2-10 (ccc) 11-25 (ddd) 26-50

T-A Replacement



**<https://www.ebooklibonline.com>**

Hello dear friend!

Thank you very much for reading.

Enter the link into your browser.

The full manual is available for immediate download.

**<https://www.ebooklibonline.com>**