

Engine

C-MAX RPS Tier 3 (2008- ) - RS24 - 105

RS24\00005170.png

A-05  
01



A0501

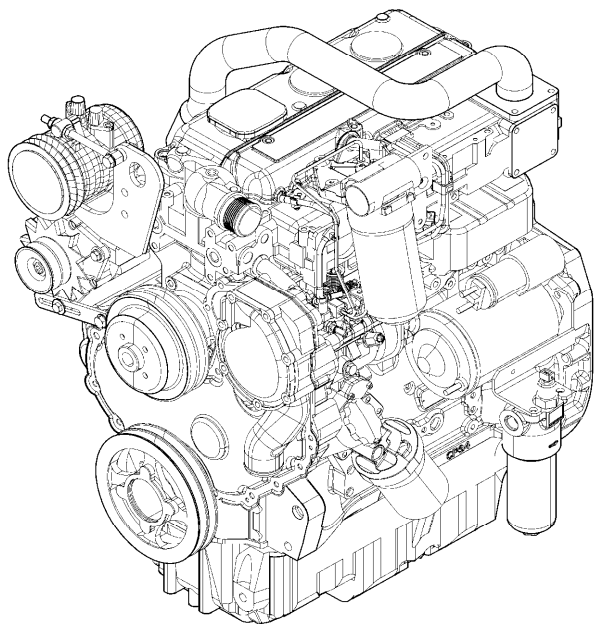
Engine assembly

Inglese

1 3692624M91

"perkins - n138965" 1 Engine  
72.5 kw

1



Engine

C-MAX RPS Tier 3 (2008- ) - RS24 - 105

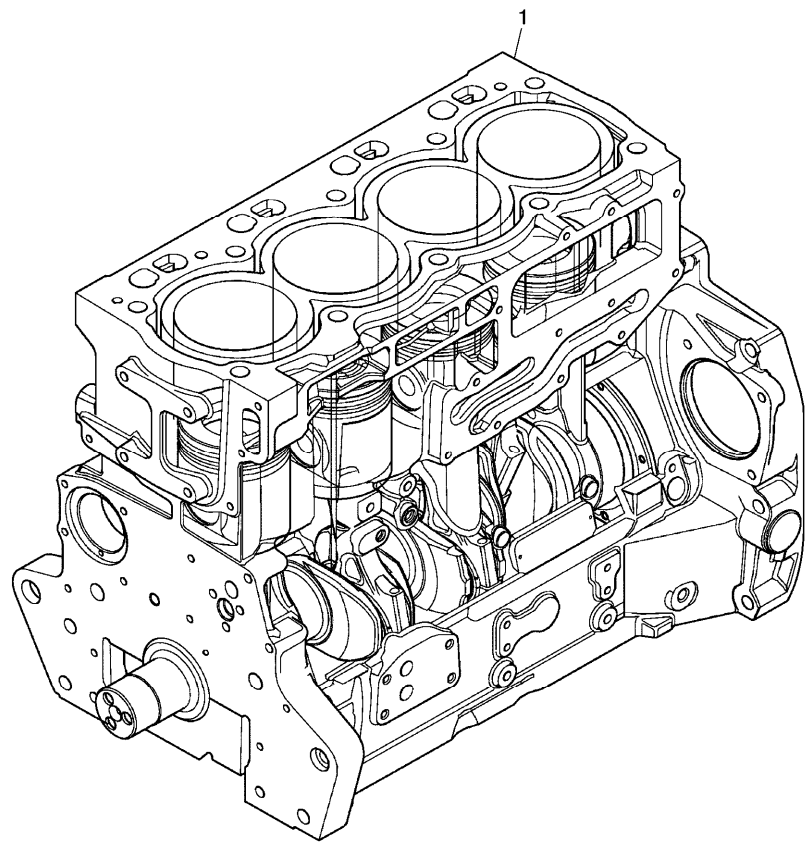
RS24\000015070.png

A-05  
02



A0502

Short engine



1 NM40008

● Replacement

● 3115A141(1),  
32186146(3), NM4

Inglese

1 Short engine

Engine

C-MAX RPS Tier 3 (2008- ) - RS24 - 105

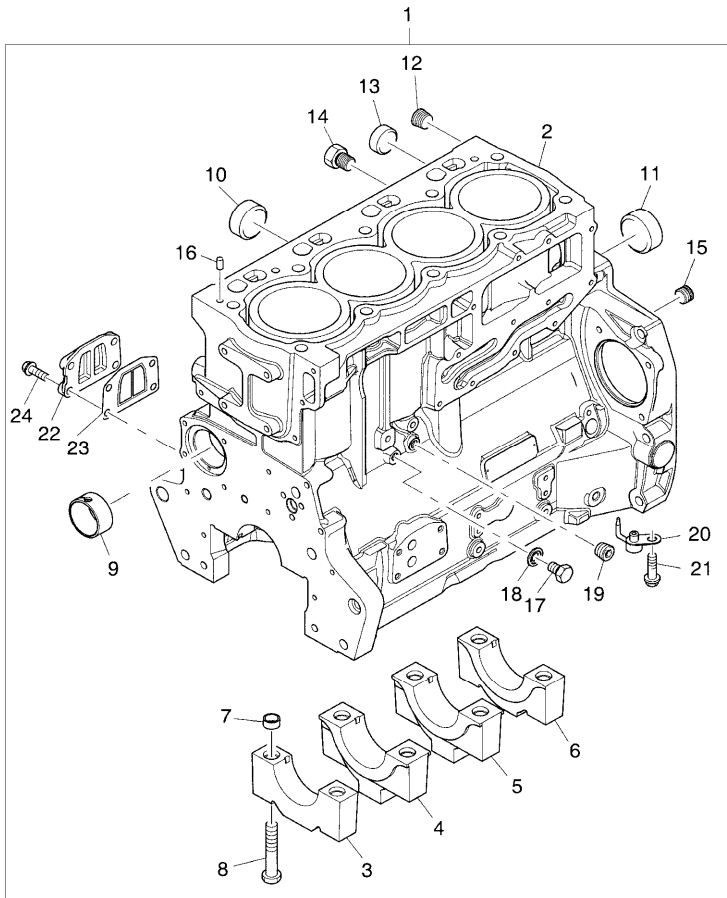
**A-05  
03**



A0503

Cylinder block

RS24\000015072.png



			Inglese
1	👁	A-05 02 01	1 Kit
2	!	1	1 Cylinder block
3	➡	Ref.n.1	1 Bearing
4	!	1	2 Bearing
5	➡	Ref.n.1	1 Bearing
6	!	1	1 Bearing
7	➡	Ref.n.1	10 Manicott
8	!	1	10 Screw
9	!	1	1 Bush
	●	3112D075(1)	
10	!	1	2 Plug
11	!	1	1 Plug
12	!	1	1 Plug
13	!	1	1 Plug
14	!	1	1 Plug
15	!	1	1 Plug
16	!	1	2 Dowel
17	!	1	1 Screw
18	!	1	1 Washer
19	!	1	1 Plug

**<https://www.ebooklibonline.com>**

Hello dear friend!

Thank you very much for reading.

Enter the link into your browser.

The full manual is available for immediate download.

**<https://www.ebooklibonline.com>**

Engine

C-MAX RPS Tier 3 (2008- ) - RS24 - 105

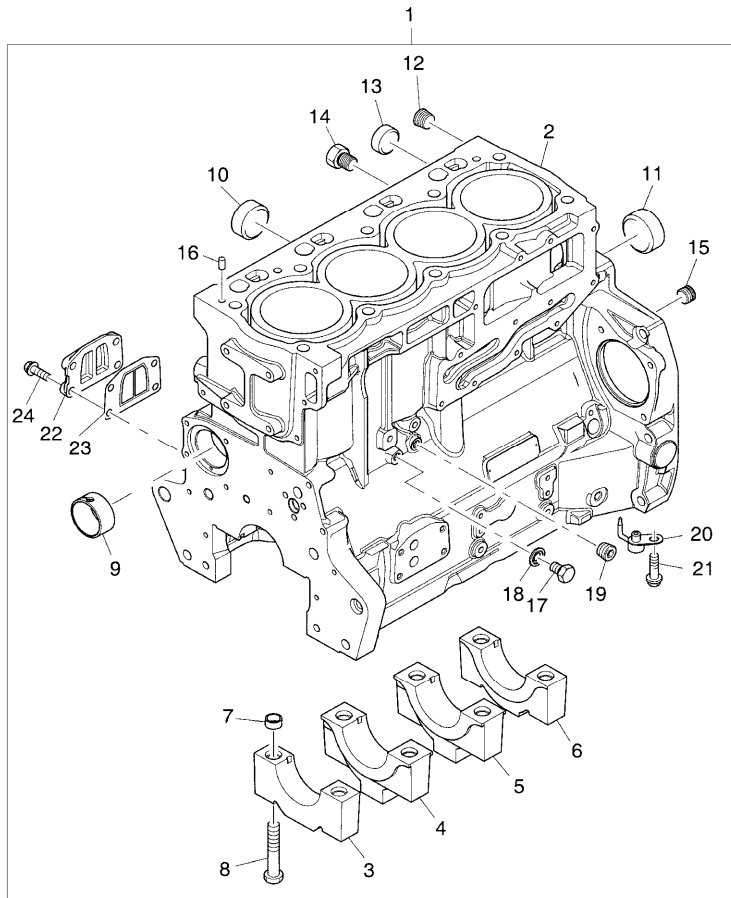
RS24\000015072.png

A-05  
03



A0503

Cylinder block



- 20 2113A003 ! 1
- 21 2314F001 ! 1
- 22 3753A071 ! 1
- 23 3688A041 ! 1
- 24 2314H034 ! 1

Inglese

- 4 Atomiser
- 4 Screw
- 1 Coperch.
- 1 Ring
- 4 Screw

- ! This is a component of an assembly
- 👁 See page - reference number
- 🔧 Not serviced, order
- 🔪 Replacement

Engine

C-MAX RPS Tier 3 (2008- ) - RS24 - 105

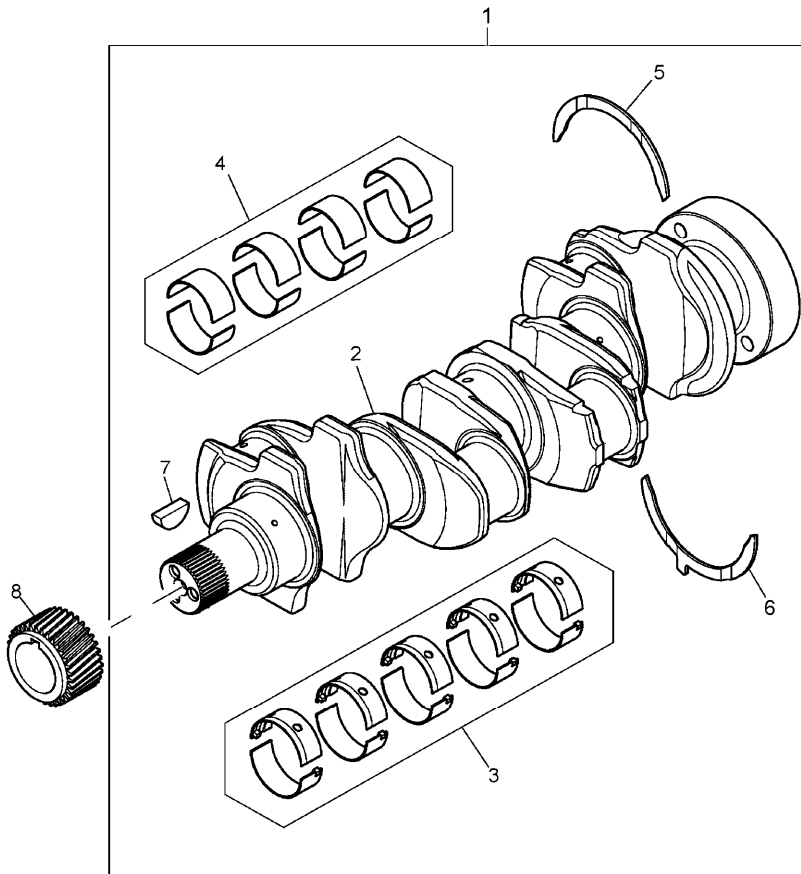
RS24\000015073.png

A-05  
04



A0504

Camshaft



		Inglese	
1	ZZ90222	➔ U491476 t ● ZZ90239(1) T-A 15:0	1 Kit
1	ZZ90237	➔ U491477 t	1 Shaft
2		! 1	1 Shaft
3	U5MB0018	➔ Ref.n.1 ! 1 ● U5MB0033(1) T-A 15:0	1 Kit
3	U5MB0018A	! 1 ⚡ 0.010" ● U5MB0033A(1) T-A 15:0	1 Kit
3	U5MB0018B	! 1 ⚡ 0.020" ● U5MB0033B(1) T-A 15:0	1 Kit
3	U5MB0018C	! 1 ⚡ 0.030" ● N.L.A.(1) T-A 15:0	1 Kit
4	T400002	! 1 ➔ U491477 t ● T410927(1)	1 Kit

Engine

C-MAX RPS Tier 3 (2008- ) - RS24 - 105

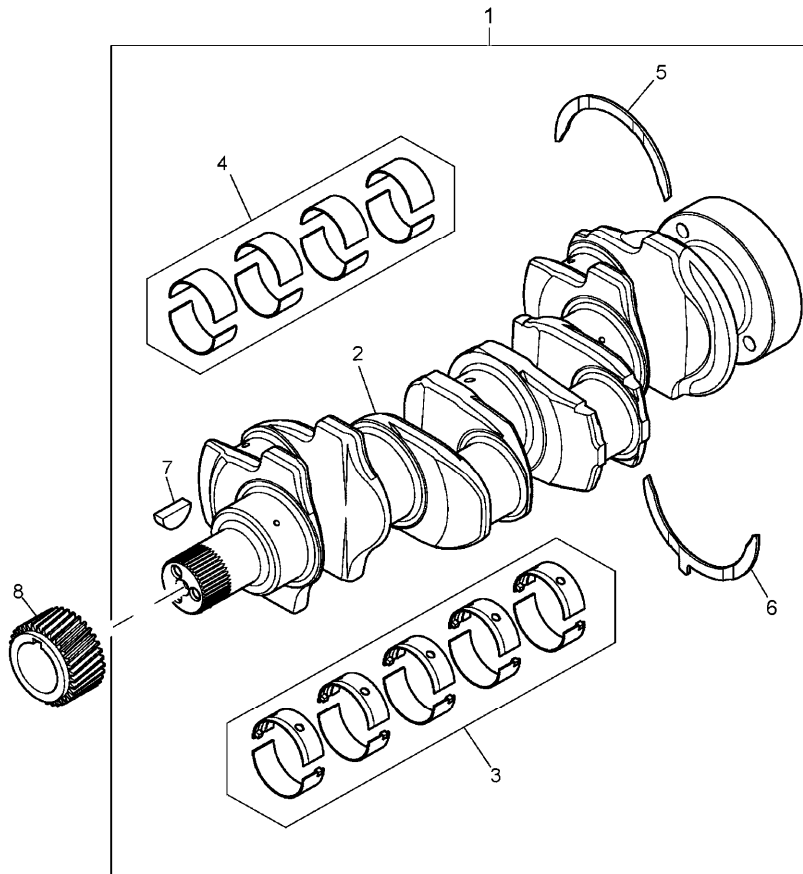
RS24\000015073.png

A-05  
04



A0504

Camshaft



Inglese

4	U5ME0026	!	1	1 Kit
		➔	U491476 t	
		●	U5ME0034(1)	
4	U5ME0026A	!	1	1 Kit
		⌵	0.25mm	
		➔	U491476 t	
		●	U5ME0034A(1)	
4	U5ME0026B	!	1	1 Kit
		⌵	0.50mm	
		➔	U491476 t	
		●	U5ME0034B(1)	
4	U5ME0026C	!	1	1 Kit
		⌵	0.75mm	
		➔	U491476 t	
		●	U5ME0034C(1)	
5	31137312	!	1	2 Ring
		⌵	0.007"	
		T-A	15:0	
5	31137551	!	1	2 Washer
		T-A	15:0	
6	31137322	!	1	2 Ring
		⌵	0.007"	
		T-A	15:0	
6	31137561	!	1	2 Washer
		T-A	15:0	

Engine

C-MAX RPS Tier 3 (2008- ) - RS24 - 105

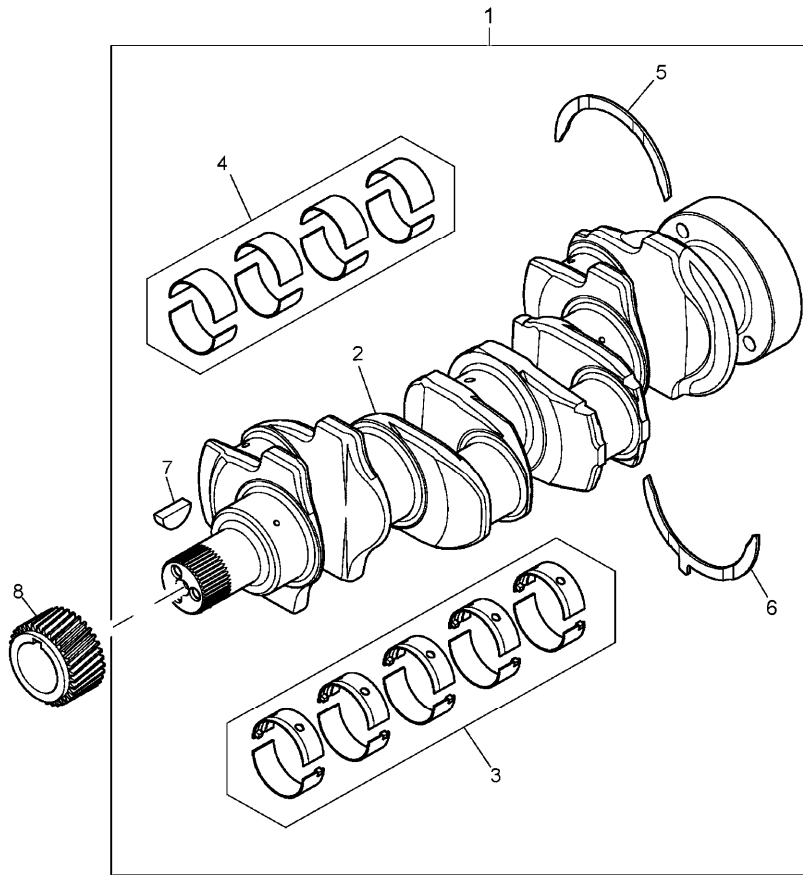
RS24\000015073.png

A-05  
04



A0504

Camshaft



7 0500012 ! 1

T-A 10:0

8 3117C221 T-A 10:0

Inglese

1 Key

1 Gear

! This is a component of an assembly

➔ From serial or engine number

➔ Up to serial or engine number

⊔ Not serviced, order

⊔ Shim

● Replacement

T-A Replacement

Engine

C-MAX RPS Tier 3 (2008- ) - RS24 - 105

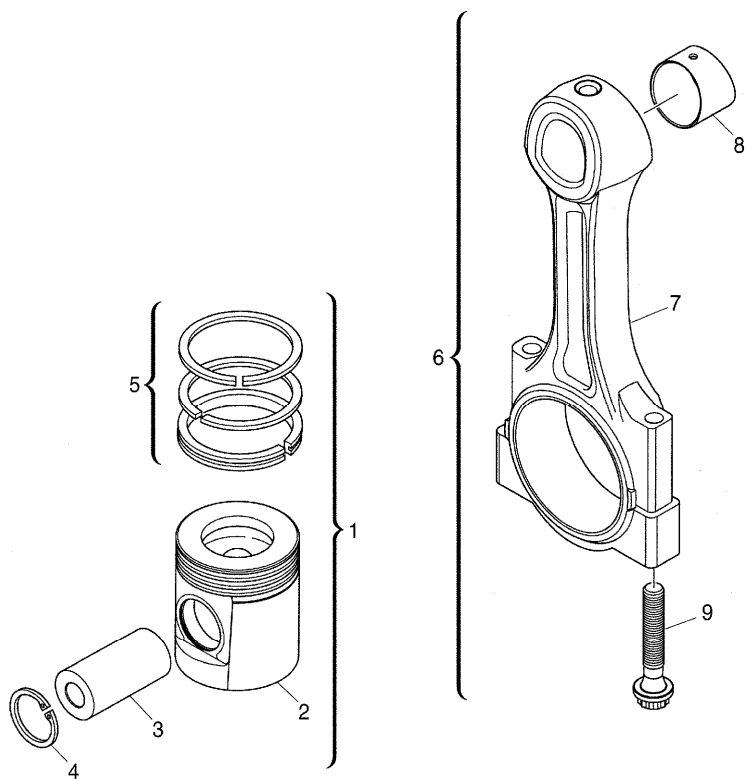
RS24\000020562.png

**A-05**  
**05**



A0505

Pistons and connecting rods



			Inglese
1	U5PR0062	Std	4 Kit
1	U5PR0062B	+0,5 mm	4 Kit
2		! 1	1 Piston
		➡ Ref.n.1	
3		! 1	1 Bush
		➡ Ref.n.1	
4	2721332	! 1	2 Ring
5	UPRK0005	! 1	1 Kit
6	4115C311	➡ U491477 t	4 Kit
		A	
		T-A 14:0	
6	4115C312	➡ U491477 t	4 Kit
		B	
		T-A 14:0	
6	4115C313	➡ U491477 t	4 Kit
		C	
		T-A 14:0	
6	4115C314	➡ U491477 t	4 Kit
		D	
		T-A 14:0	
6	4115C315	➡ U491477 t	4 Kit
		E	
		T-A 14:0	
6	4115C316	➡ U491477 t	4 Kit
		F	
		T-A 14:0	

Engine

C-MAX RPS Tier 3 (2008- ) - RS24 - 105

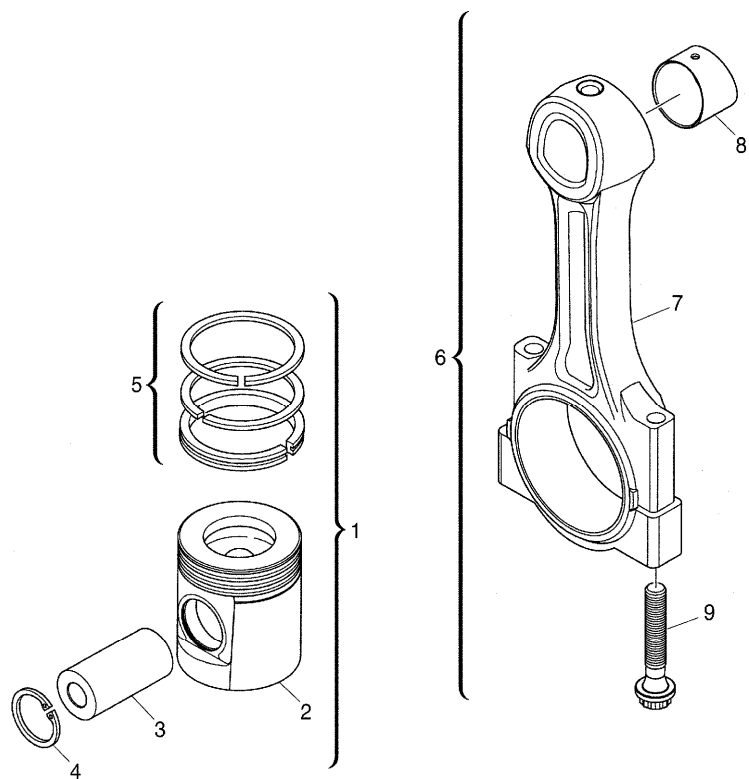
RS24\000020562.png

**A-05  
05**



A0505

Pistons and connecting rods



**Inglese**

6	4115C361	➡	U491478 t	4	Conrod
			A		
6	4115C362	➡	U491478 t	4	Conrod
			B		
6	4115C363	➡	U491478 t	4	Conrod
			C		
6	4115C364	➡	U491478 t	4	Conrod
			D		
6	4115C365	➡	U491478 t	4	Conrod
			E		
6	4115C366	➡	U491478 t	4	Conrod
			F		
7		!	6	1	Conrod
		➡	Ref.n.6		
8	3112A005	!	6	1	Bush
		T-A	14:0		
9	3212V003	!	6	2	Screw

- ! This is a component of an assembly
- ➡ From serial or engine number
- ➡ Up to serial or engine number
- ➡ Not serviced, order
- T-A Replacement
- A Red
- B Orange
- C White
- D Green
- E Purple
- F Blue

Engine

C-MAX RPS Tier 3 (2008- ) - RS24 - 105

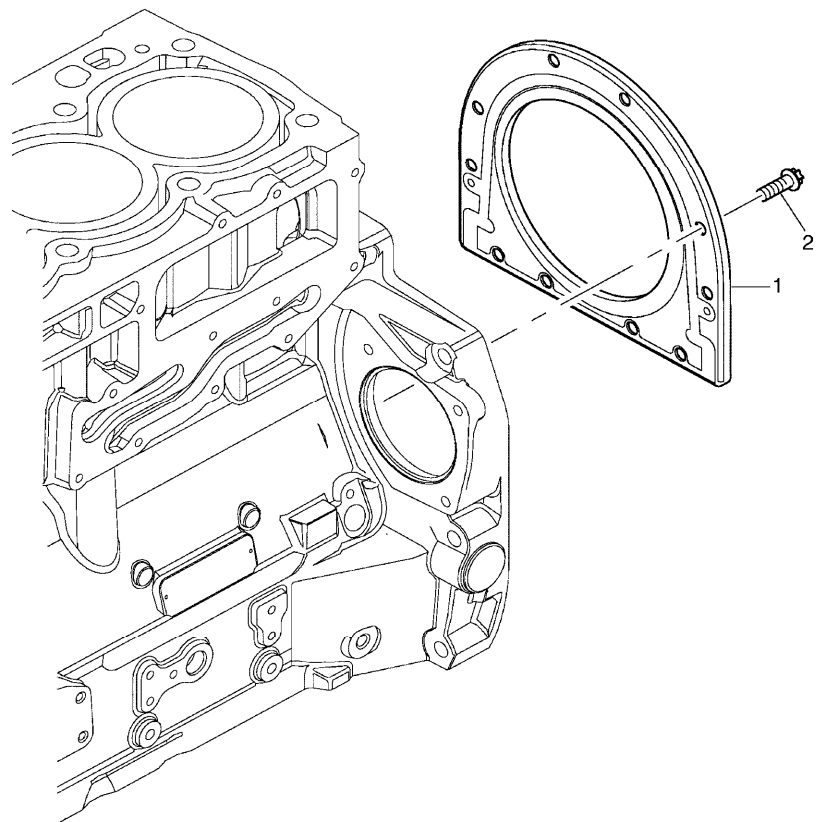
RS24\000015074.png

A-05  
06



A0506

End cover



1 2418F704 T-A 9:0

2 3211C002

T-A Replacement

Inglese

1 Housing

10 Screw



Engine

A-05  
07

Cylinder head

C-MAX RPS Tier 3 (2008- ) - RS24 - 105



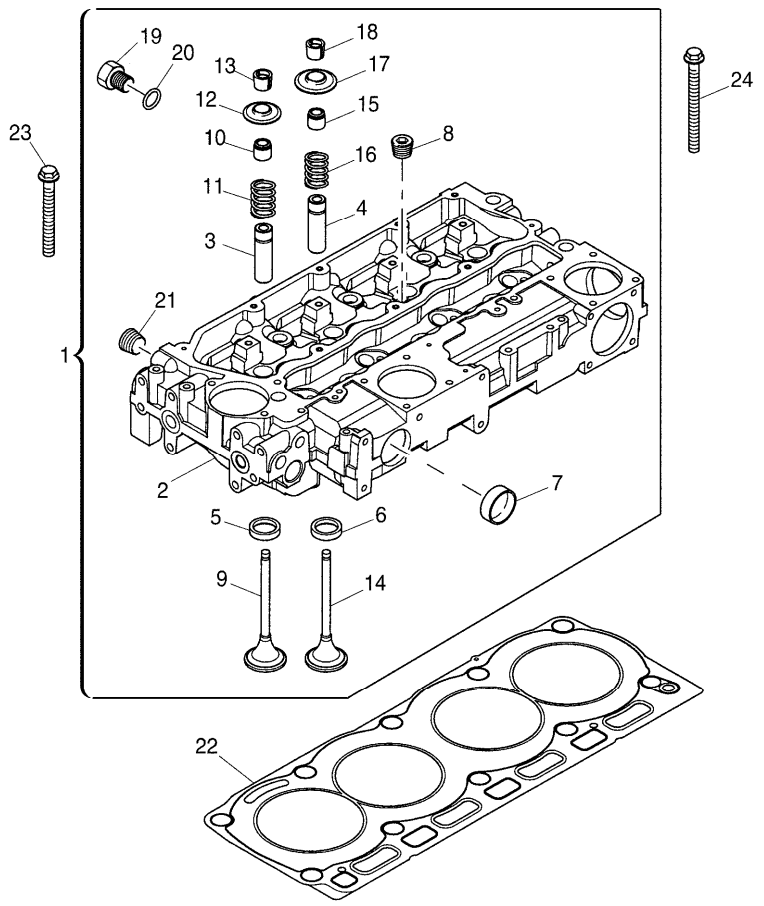
A0507

RS24\000020527.png

Inglese

- 21 2431154 ! 1
- 22 3681E051
- 23 3218A011
- 24 3218A012
- ! This is a component of an assembly
- 🔧 Not serviced, order
- ⬤ Replacement
- A Green
- B Brown

- 2 Plug
- 1 Gasket
- 7 Screw
- 3 Screw



Engine

C-MAX RPS Tier 3 (2008- ) - RS24 - 105

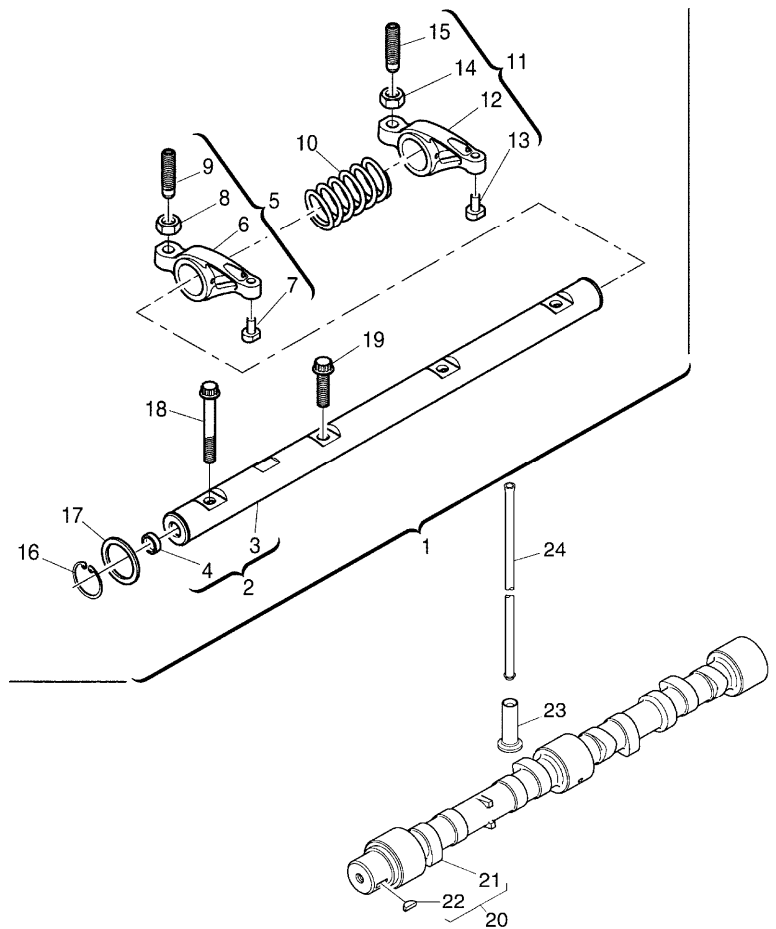
RS24\000015075.png

**A-05  
08**



A0508

Rocker shaft



		Inglese
1	4115R613	1 Axle
2	4115R703	1 Shaft
	T-A 4:0	
3		1 Axle
	➡ Ref.n.2	
4	2485A104	2 Plug
5	4115R319	4 Lever
6		1 Rocker
	➡ Ref.n.5	
7		1 Pad
	➡ Ref.n.5	
8	3331A006	1 Nut
9	3211C004	1 Screw
10	3174A015	3 Spring
	T-A 4:0	
11	4115R315	4 Rocker
	T-A 4:0	
11	4115R318	4 Lever
12		1 Rocker
	➡ Ref.n.11	
13		1 Pad
	➡ Ref.n.11	
14	3331A006	1 Nut
15	3211C004	1 Screw
16	2722A022	2 Ring

Engine

C-MAX RPS Tier 3 (2008- ) - RS24 - 105

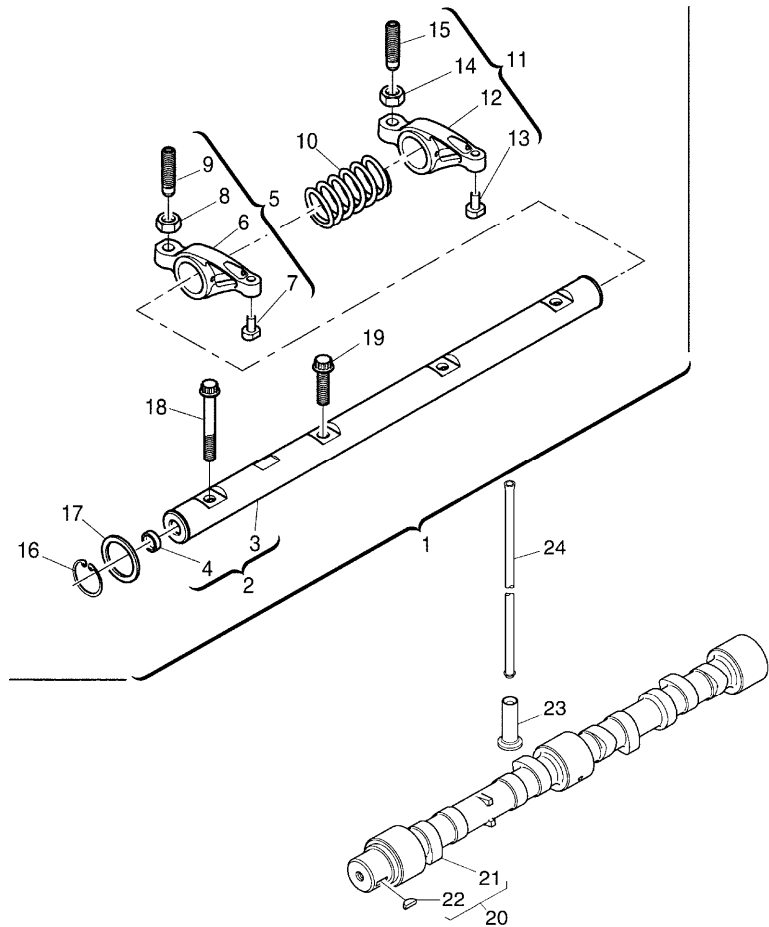
RS24\000015075.png

A-05  
08



A0508

Rocker shaft



Inglese

17	2134A502	!	1	2	Washer
18	2316A901	!	1	1	Screw
19	2316A902	!	1	3	Screw
20	4112K032	●	4112K077(1)	1	Shaft
21		!	20	1	
		➡	Ref.n.20		
22	0500012	!	20	1	Key
23	3142U061			8	Tappet
24	3142V011			8	Rod

- ! This is a component of an assembly
- ➡ Not serviced, order
- Replacement
- T-A Replacement

Engine

C-MAX RPS Tier 3 (2008- ) - RS24 - 105

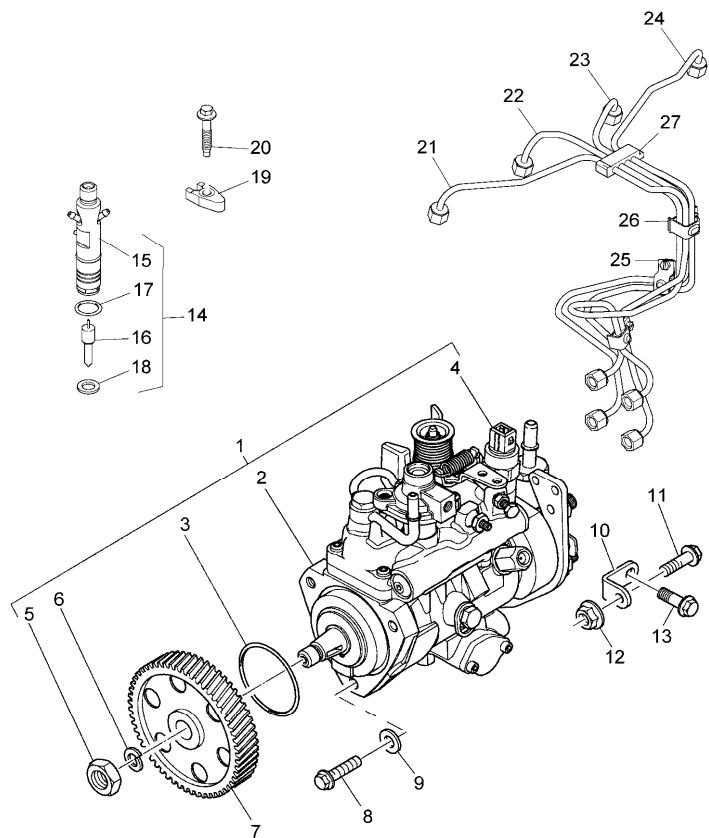
**A-05  
09**



A0509

Fuel injection equipment (diesel)

RS24\000015078.png



		Inglese
1	2644C313/22	1 Pump
2	!	1 Pump
	➡ Ref.n.1	
3	26420318	1 Ring
	T-A 4:50	
4	26420469	1 Solenoid
	(X) 1.2.5.	
	T-A 0:25	
5	2318A108	1 Nut
6	K134AF01	1 Washer
7	3117L261	1 Gear
8	2314H004	3 Screw
9	2411D008	3 Washer
10	3641A007	1 Stirrup
11	2314H003	1 Screw
12	2318A603	1 Nut
13	2314J002	1 Screw
14	2645K025	4 Nozzle
15	!	14 Support
	➡ Ref.n.14	
16	!	14 Nozzle
17	26460064	1 Ring
18	L311FF02	1 Washer
19	3751A241	4 Clamp
20	2314W009	4 Screw

Engine

C-MAX RPS Tier 3 (2008- ) - RS24 - 105

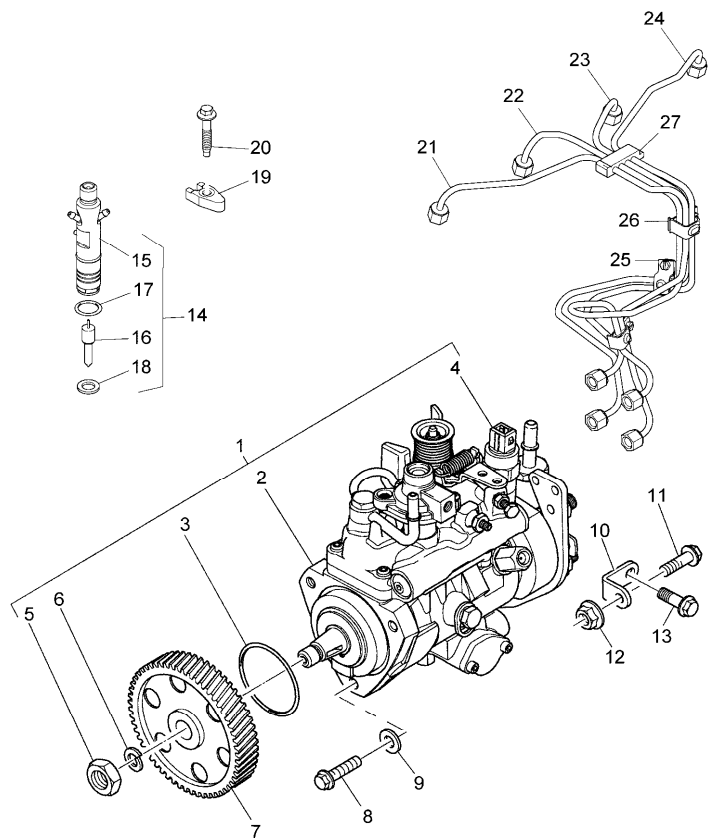
RS24\000015078.png

A-05  
09



A0509

Fuel injection equipment (diesel)



Inglese

- 21 3525A101 1 Pipe
- 22 3525A102 1 Pipe
- 23 3525A103 1 Pipe
- 24 3525A104 1 Pipe
- 25 2481Y011 2 Clip
- 26 2481Y012 1 Clip
- 27 2646E019 1 Clip

! This is a component of an assembly

Not serviced, order

(X) Qty per tractors sold (aa.bbb.ccc.ddd) (aa) for 1,(bbb) 2-10 (ccc) 11-25 (ddd) 26-50

T-A Replacement

Engine

C-MAX RPS Tier 3 (2008- ) - RS24 - 105

RS24\000020530.png

A-05  
10

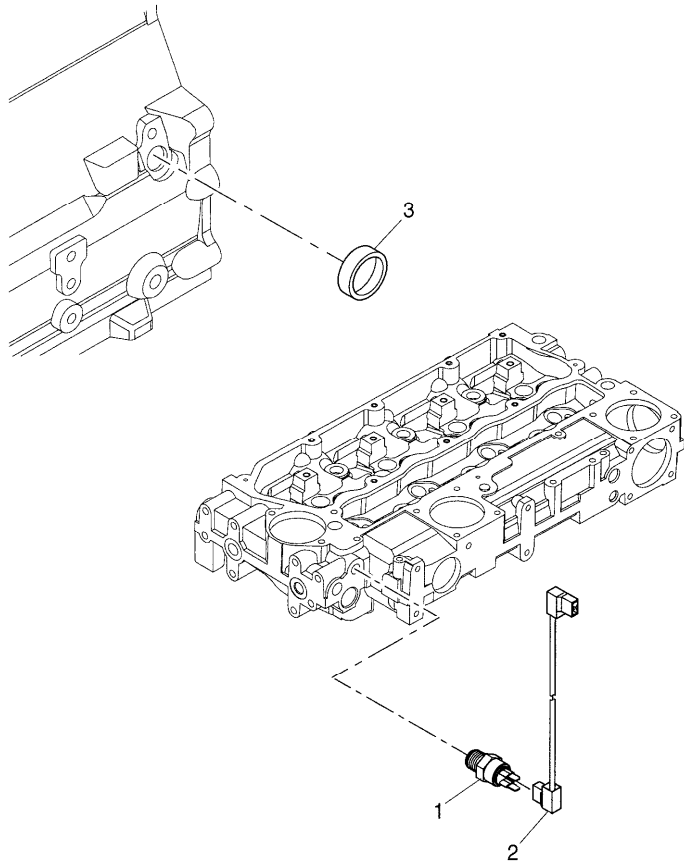


A0510

Sensor pickup

Inglese

- 1 2848A127 T-A 0:50 1 Sensor
  - 2 3161C017 1 Cable
  - 3 2485A109 1 Plug
- T-A Replacement



Engine

C-MAX RPS Tier 3 (2008- ) - RS24 - 105

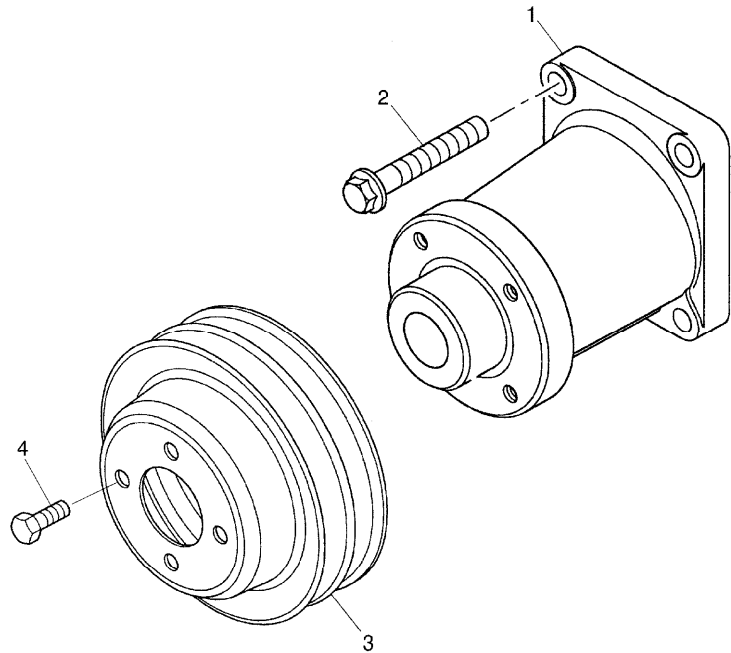
RS24\000015079.png

**A-05**  
**11**



A0511

Fan-type pulley



- 1 4113K005 T-A 1:75
  - 2 2314J005
  - 3 3115C161
  - 4 2314C044
- T-A Replacement

**Inglese**

- 1 Housing
- 4 Screw
- 1 Pulley
- 4 Screw

Engine

C-MAX RPS Tier 3 (2008- ) - RS24 - 105

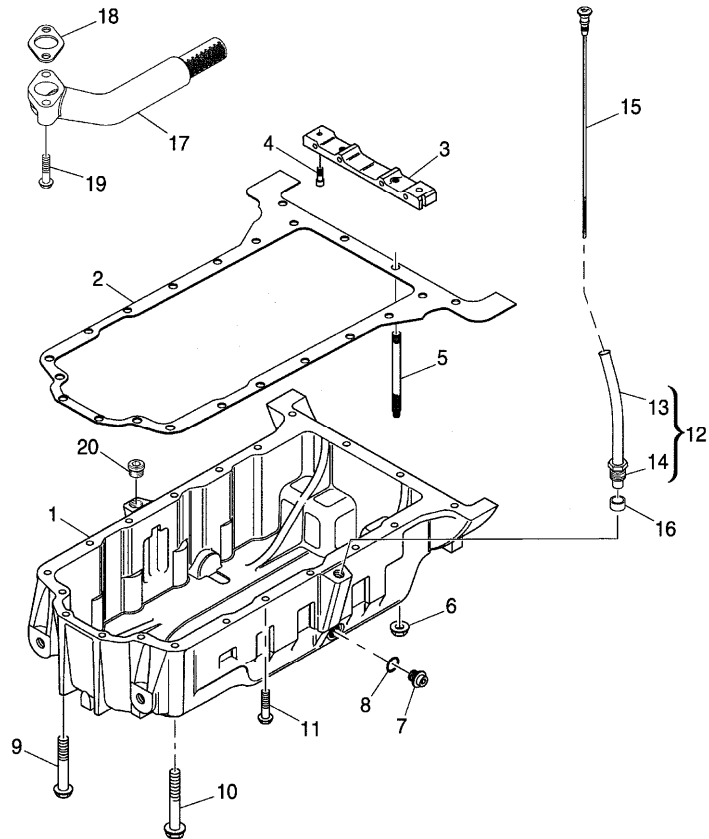
RS24\000014129.png

A-05  
12



A0512

Lubricating oil sump



1	3717E271			
2	3681K036	(X)	1.2.5.	
		T-A	1:50	
3	3627P041	T-A	1:50	
4	2311D039			
5	3211P013			
6	2318A603			
7	32186405	T-A	0:25	
8	2415715	T-A	0:25	
9	2314H023			
10	2314H022	●	2314H052(1)	
11	2314H015			
12	3577A125	T-A	0:25	
13		!	12	
		▶	Ref.n.12	
14	3353D005	!	12	
15	3178C081	T-A	0:25	
16	33812116			
17	3765A091	T-A	1:75	
18	36832137	T-A	1:75	
19	2314H006			
20	2431A016			

Inglese

1	Crankcase
1	Gasket
1	Crosspiece
2	Screw
2	Stud
2	Nut
2	Plug
2	Ring
5	Screw
1	Screw
12	Screw
1	Pipe
1	Pipe
1	Nut
1	Rod
1	Olive
1	Pipe
1	Gasket
2	Screw
1	Plug

- ! This is a component of an assembly
- ▶ Not serviced, order
- Replacement

Engine

C-MAX RPS Tier 3 (2008- ) - RS24 - 105

A-05  
12

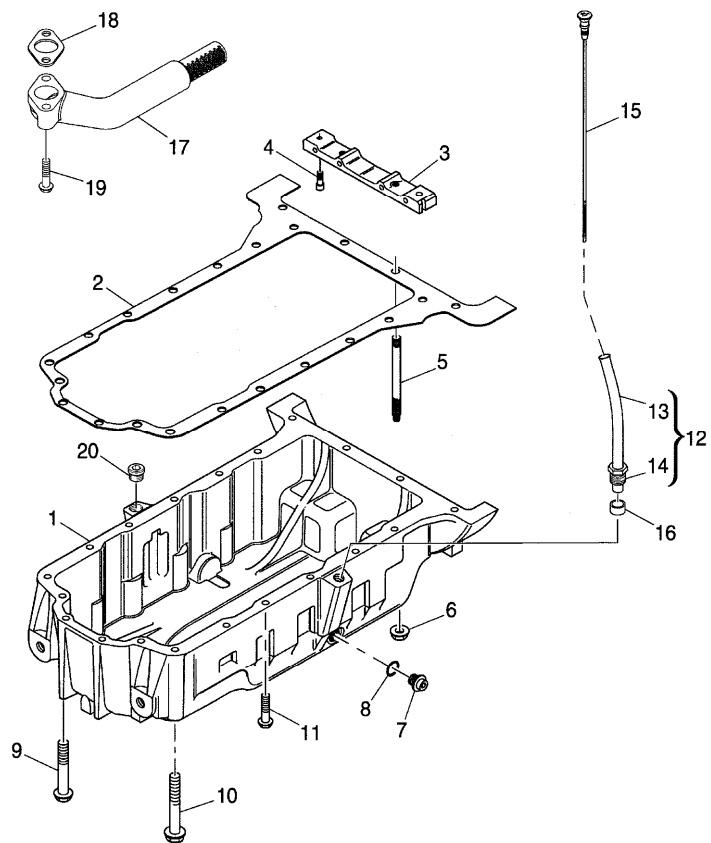


A0512

Lubricating oil sump

RS24\000014129.png

(X) Qty per tractors sold (aa.bbb.ccc.ddd) (aa) for 1,(bbb) 2-10 (ccc) 11-25 (ddd) 26-50  
T-A Replacement



Engine

C-MAX RPS Tier 3 (2008- ) - RS24 - 105

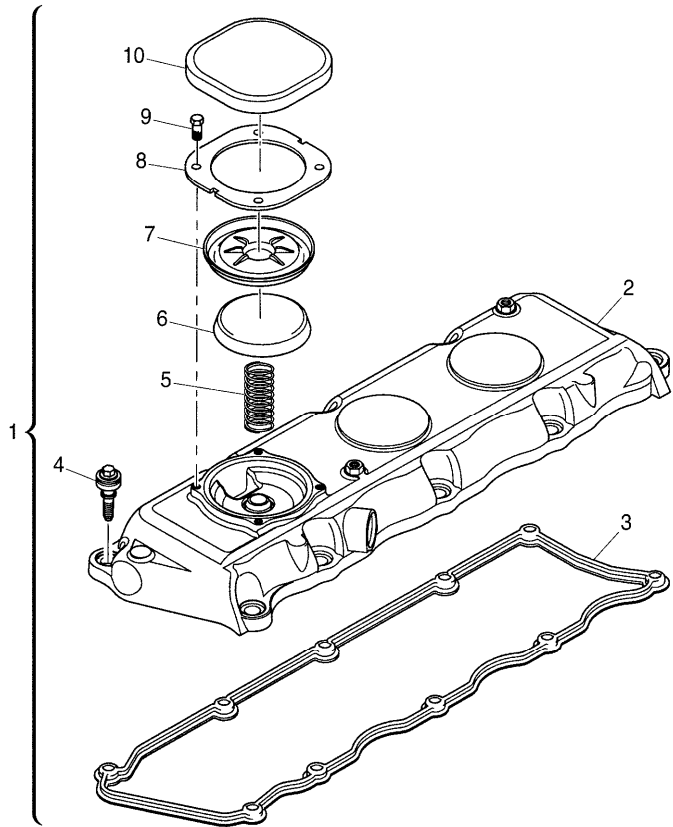
RS24\000020533.png

A-05  
13



A0513

Cylinder head cover



		Inglese	
1	4142X325	● T417478(1)	1 Coperch.
2		! 1	1 Cover
3	3681A055	▣ Ref.n.1	1 Gasket
		(X) 1.2.5.	
		T-A 1:0	
4		! 1	10 Screw
		▣ Ref. n.1	
5	3174A017	! 1	1 Spring
		T-A 0:25	
6	3788A002	! 1	1 Cap
		T-A 0:25	
7	3789A001	! 1	1 Diaphragm
		T-A 0:25	
8	3615A009	! 1	1 Plate
		T-A 0:25	
9	2151A001	! 1	4 Screw
10	3788A003	! 1	1 Cap
		T-A 0:25	
	!	This is a component of an assembly	
	▣	Not serviced, order	
	●	Replacement	
	(X)	Qty per tractors sold (aa.bbb.ccc.ddd) (aa) for 1,(bbb) 2-10 (ccc) 11-25 (ddd) 26-50	
	T-A	Replacement	



**Suggest:**

**For more complete manuals. Please go to the home page.**

**<https://www.ebooklibonline.com>**

**If the above button click is invalid. Please download this document first, and then click the above link to download the complete manual.**

**Thank you so much for reading**

Engine

C-MAX RPS Tier 3 (2008- ) - RS24 - 105

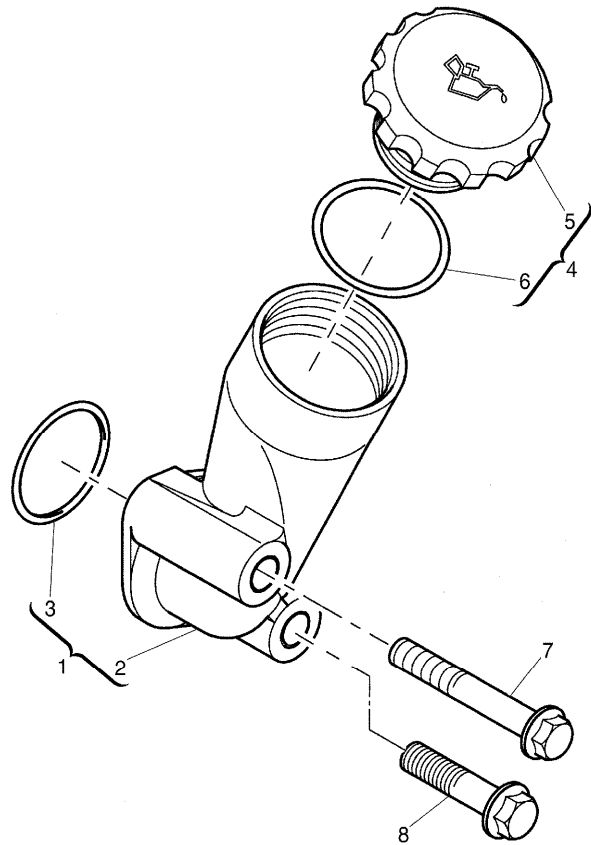
RS24\000020589.png

A-05  
14



A0514

Filler



		Inglese	
1	4134C019	● N.L.S.(1)	1 Filler
		T-A 0:25	
2		! 1	1 Body
		➡ Ref.n.1	
3	2415B121	! 1	1 O ring
		T-A 0:25	
4	4142X098	! 1	1 Plug
		T-A 0:25	
5		! 4	1 Plug
		➡ Ref.n.4	
6	2415633	! 4	1 O ring
		T-A 0:25	
7	2314K161		1 Screw
8	2314H008		1 Screw
	!	This is a component of an assembly	
	➡	Not serviced, order	
	●	Replacement	
	T-A	Replacement	

Engine

C-MAX RPS Tier 3 (2008- ) - RS24 - 105

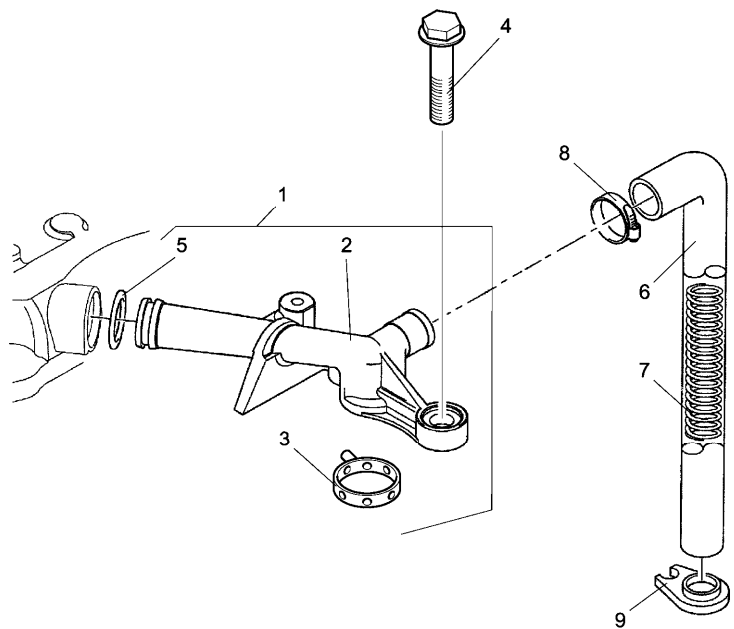
RS24\000014130.png

A-05  
15



A0515

Breather



- |     |                                    |     |         |  |
|-----|------------------------------------|-----|---------|--|
| 1   | 4134K022                           |     |         |  |
| 2   |                                    | !   | 1       |  |
|     |                                    | ➡   | Ref.n.1 |  |
| 3   | 2415H701                           | !   | 1       |  |
| 4   | 2314F005                           |     |         |  |
| 5   | 2415A068                           | !   | 1       |  |
|     |                                    | T-A | 0:50    |  |
| 6   | 33872632                           | T-A | 0:25    |  |
| 7   | 3175P003                           |     |         |  |
| 8   | 2481877                            |     |         |  |
| 9   | 36241123                           | T-A | 0:25    |  |
| !   | This is a component of an assembly |     |         |  |
| ➡   | Not serviced, order                |     |         |  |
| T-A | Replacement                        |     |         |  |

Inglese

- 1 Pipe
- 1 Pipe
- 1 Ring
- 2 Screw
- 1 Ring
- 1 Pipe
- 1 Nut
- 1 Clamp
- 1 Support

**<https://www.ebooklibonline.com>**

Hello dear friend!

Thank you very much for reading.

Enter the link into your browser.

The full manual is available for immediate download.

**<https://www.ebooklibonline.com>**