

Engine

C-MAX RPS Tier 3 (2008-) - RS24 - 100

RS24\00005170.png

A-05
01



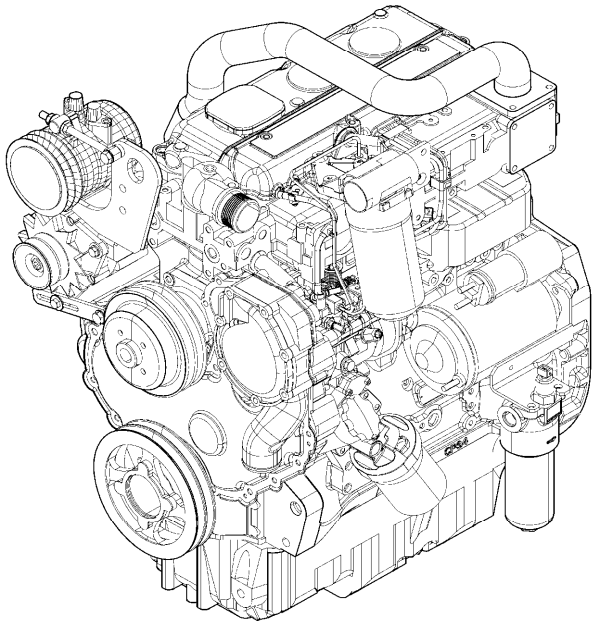
A0501

Engine assembly

Inglese

-
1 3692315M91 "perkins - nl38966" 1 Engine
67.5 kw

1



Engine

C-MAX RPS Tier 3 (2008-) - RS24 - 100

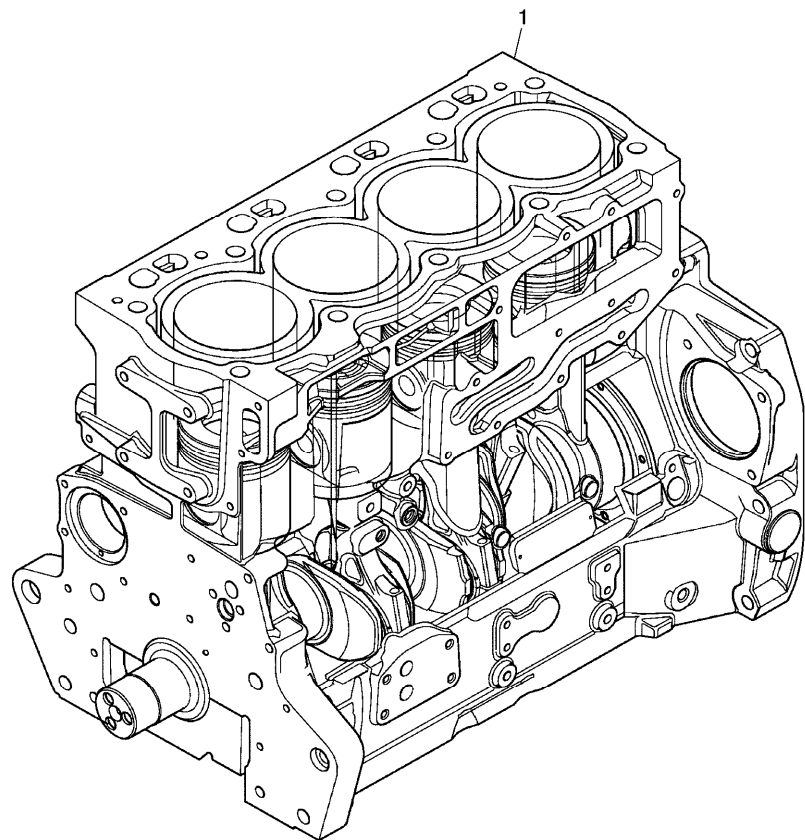
RS24\000015070.png

A-05
02



A0502

Short engine



1 NM40008



3115A141(1),
32186146(3), NM4

● Replacement

Inglese

1 Short engine

Engine

C-MAX RPS Tier 3 (2008-) - RS24 - 100

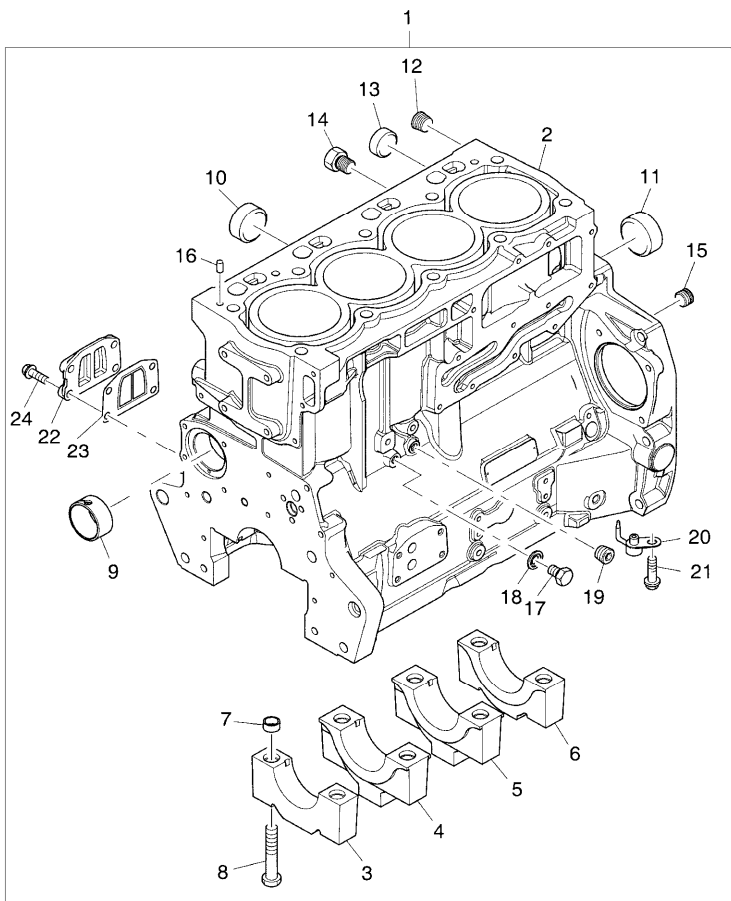
**A-05
03**



A0503

Cylinder block

RS24\000015072.png



			Inglese
1	👁	A-05 02 01	1 Kit
2	!	1	1 Cylinder block
3	➡	Ref.n.1	1 Bearing
4	!	1	2 Bearing
5	➡	Ref.n.1	1 Bearing
6	!	1	1 Bearing
7	!	33142111	10 Manicott
8	!	32166329	10 Screw
9	!	3112D071	1 Bush
	●	3112D075(1)	
10	!	3241A011	2 Plug
11	!	3241A012	1 Plug
12	!	0650588	1 Plug
13	!	0650710	1 Plug
14	!	32141316	1 Plug
15	!	3212P008	1 Plug
16	!	3244A009	2 Dowel
17	!	2314C049	1 Screw
18	!	2415D053	1 Washer
19	!	0650594	1 Plug

<https://www.ebooklibonline.com>

Hello dear friend!

Thank you very much for reading.

Enter the link into your browser.

The full manual is available for immediate download.

<https://www.ebooklibonline.com>

Engine

C-MAX RPS Tier 3 (2008-) - RS24 - 100

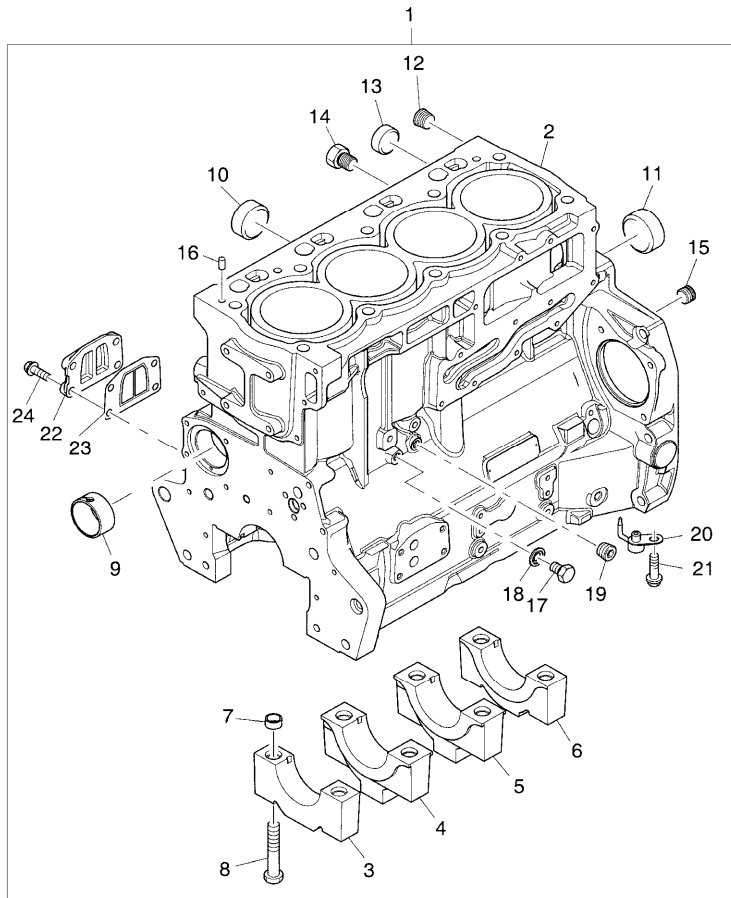
RS24\000015072.png

A-05
03



A0503

Cylinder block



- 20 2113A003 ! 1
- 21 2314F001 ! 1
- 22 3753A071 ! 1
- 23 3688A041 ! 1
- 24 2314H034 ! 1

Inglese

- 4 Atomiser
- 4 Screw
- 1 Coperch.
- 1 Ring
- 4 Screw

- ! This is a component of an assembly
- 👁 See page - reference number
- 🔧 Not serviced, order
- Replacement

Engine

C-MAX RPS Tier 3 (2008-) - RS24 - 100

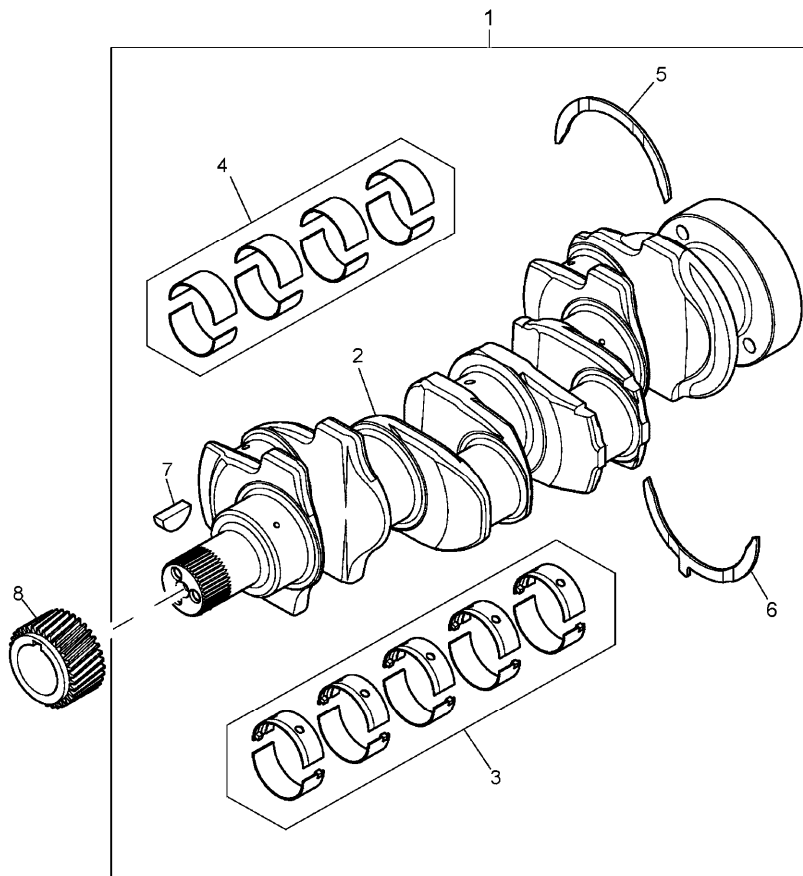
RS24\000015073.png

A-05
04



A0504

Camshaft



		Inglese	
1	ZZ90222	➔ U491476 t ● ZZ90239(1) T-A 15:0	1 Kit
1	ZZ90237	➔ U491477 t	1 Shaft
2		! 1	1 Shaft
3	U5MB0018	➔ Ref.n.1 ! 1 ● U5MB0033(1) T-A 15:0	1 Kit
3	U5MB0018A	! 1 ⚡ 0.010" ● U5MB0033A(1) T-A 15:0	1 Kit
3	U5MB0018B	! 1 ⚡ 0.020" ● U5MB0033B(1) T-A 15:0	1 Kit
3	U5MB0018C	! 1 ⚡ 0.030" ● N.L.A.(1) T-A 15:0	1 Kit
4	T400002	! 1 ➔ U491477 t ● T410927(1)	1 Kit

Engine

C-MAX RPS Tier 3 (2008-) - RS24 - 100

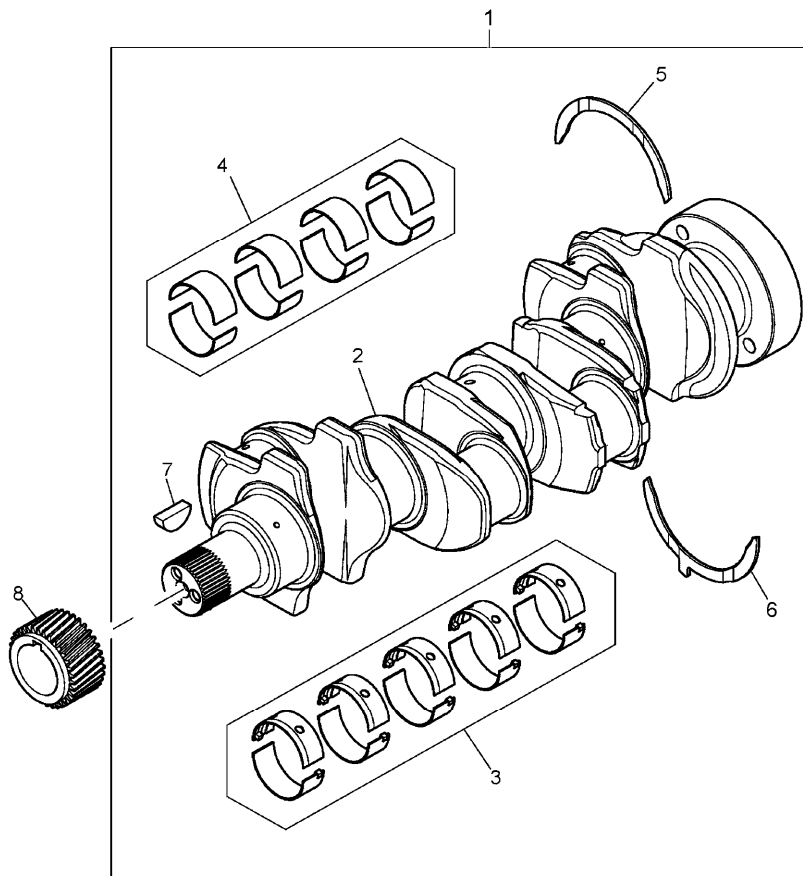
RS24\000015073.png

A-05
04



A0504

Camshaft



Inglese

4	U5ME0026	!	1	1 Kit
		➔	U491476 t	
		●	U5ME0034(1)	
4	U5ME0026A	!	1	1 Kit
		⌵	0.25mm	
		➔	U491476 t	
		●	U5ME0034A(1)	
4	U5ME0026B	!	1	1 Kit
		⌵	0.50mm	
		➔	U491476 t	
		●	U5ME0034B(1)	
4	U5ME0026C	!	1	1 Kit
		⌵	0.75mm	
		➔	U491476 t	
		●	U5ME0034C(1)	
5	31137312	!	1	2 Ring
		⌵	0.007"	
		T-A	15:0	
5	31137551	!	1	2 Washer
		T-A	15:0	
6	31137322	!	1	2 Ring
		⌵	0.007"	
		T-A	15:0	
6	31137561	!	1	2 Washer
		T-A	15:0	

Engine

A-05
04

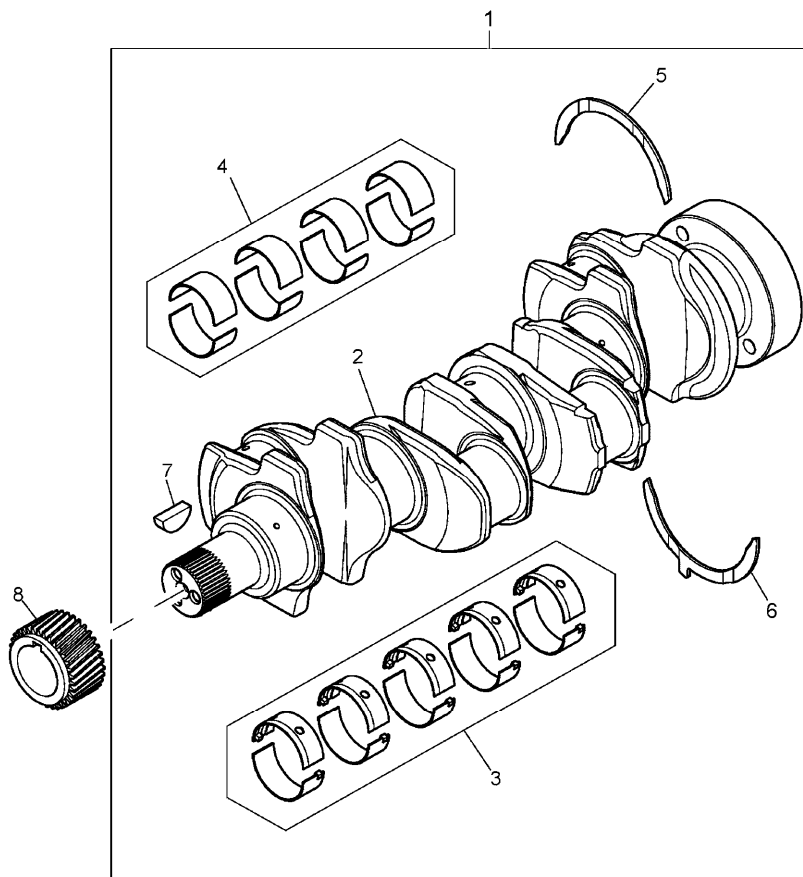
Camshaft

C-MAX RPS Tier 3 (2008-) - RS24 - 100



A0504

RS24\000015073.png



Inglese

7 0500012 ! 1
T-A 10:0

1 Key

8 3117C221 T-A 10:0

1 Gear

! This is a component of an assembly

➔ From serial or engine number

➔ Up to serial or engine number

⊔ Not serviced, order

⊔ Shim

● Replacement

T-A Replacement

Engine

C-MAX RPS Tier 3 (2008-) - RS24 - 100

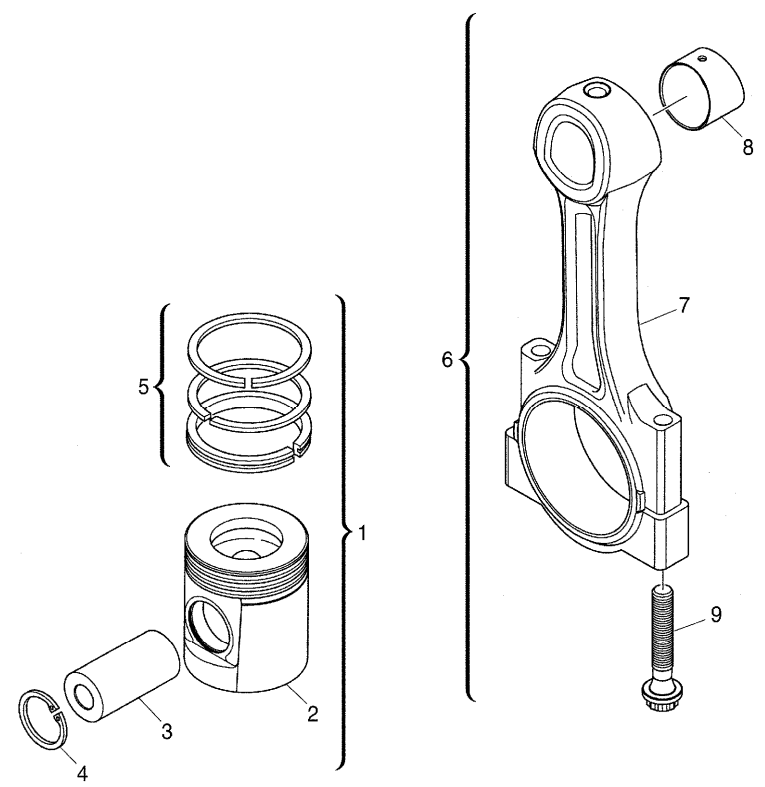
RS24\000020562.png

A-05
05



A0505

Pistons and connecting rods



			Inglese
1	U5PR0062	Std	4 Kit
1	U5PR0062B	+0,5 mm	4 Kit
2		! 1	1 Piston
		➡ Ref.n.1	
3		! 1	1 Bush
		➡ Ref.n.1	
4	2721332	! 1	2 Ring
5	UPRK0005	! 1	1 Kit
6	4115C311	➡ U491477 t	4 Kit
		A	
		T-A 14:0	
6	4115C312	➡ U491477 t	4 Kit
		B	
		T-A 14:0	
6	4115C313	➡ U491477 t	4 Kit
		C	
		T-A 14:0	
6	4115C314	➡ U491477 t	4 Kit
		D	
		T-A 14:0	
6	4115C315	➡ U491477 t	4 Kit
		E	
		T-A 14:0	
6	4115C316	➡ U491477 t	4 Kit
		F	
		T-A 14:0	

Engine

C-MAX RPS Tier 3 (2008-) - RS24 - 100

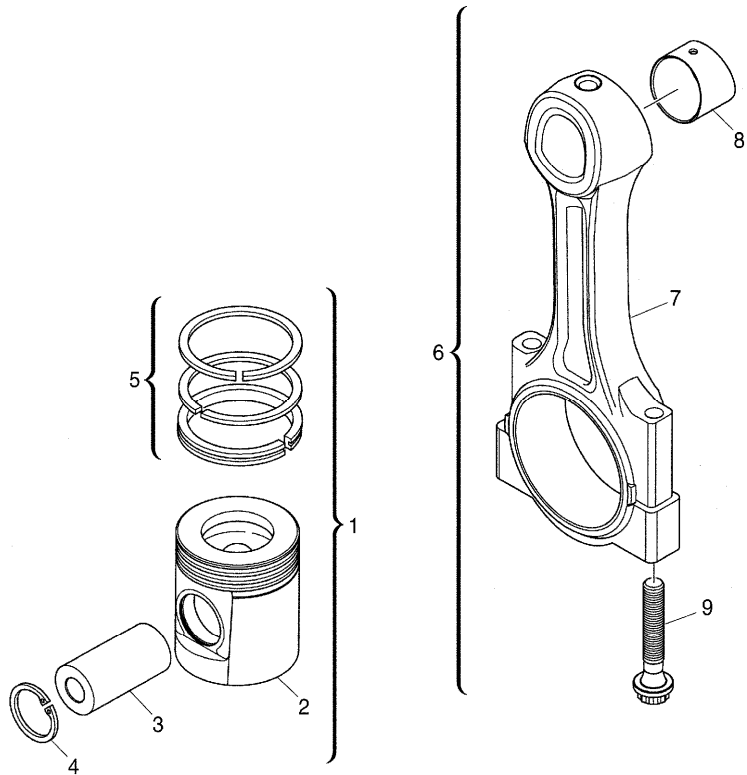
RS24\000020562.png

A-05
05



A0505

Pistons and connecting rods



Inglese

6	4115C361	➡	U491478 t	4	Conrod
			A		
6	4115C362	➡	U491478 t	4	Conrod
			B		
6	4115C363	➡	U491478 t	4	Conrod
			C		
6	4115C364	➡	U491478 t	4	Conrod
			D		
6	4115C365	➡	U491478 t	4	Conrod
			E		
6	4115C366	➡	U491478 t	4	Conrod
			F		
7		!	6	1	Conrod
		➡	Ref.n.6		
8	3112A005	!	6	1	Bush
		T-A	14:0		
9	3212V003	!	6	2	Screw

- ! This is a component of an assembly
- ➡ From serial or engine number
- ➡ Up to serial or engine number
- ➡ Not serviced, order
- T-A Replacement
- A Red
- B Orange
- C White
- D Green
- E Purple
- F Blue

Engine

C-MAX RPS Tier 3 (2008-) - RS24 - 100

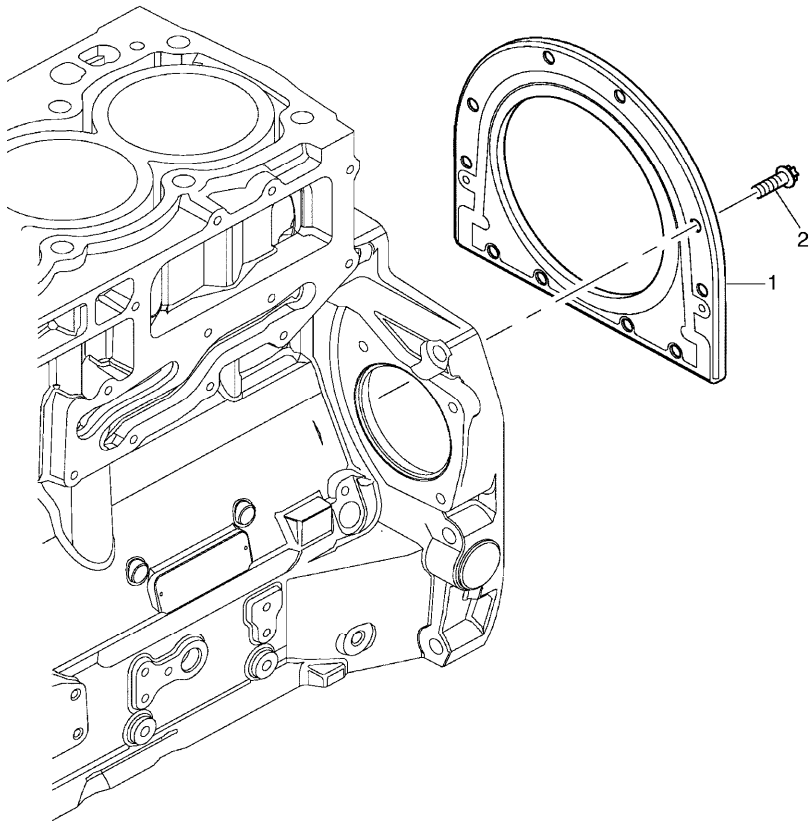
RS24\000015074.png

A-05
06



A0506

End cover



1 2418F704 T-A 9:0

2 3211C002

T-A Replacement

Inglese

1 Housing

10 Screw

Engine

C-MAX RPS Tier 3 (2008-) - RS24 - 100

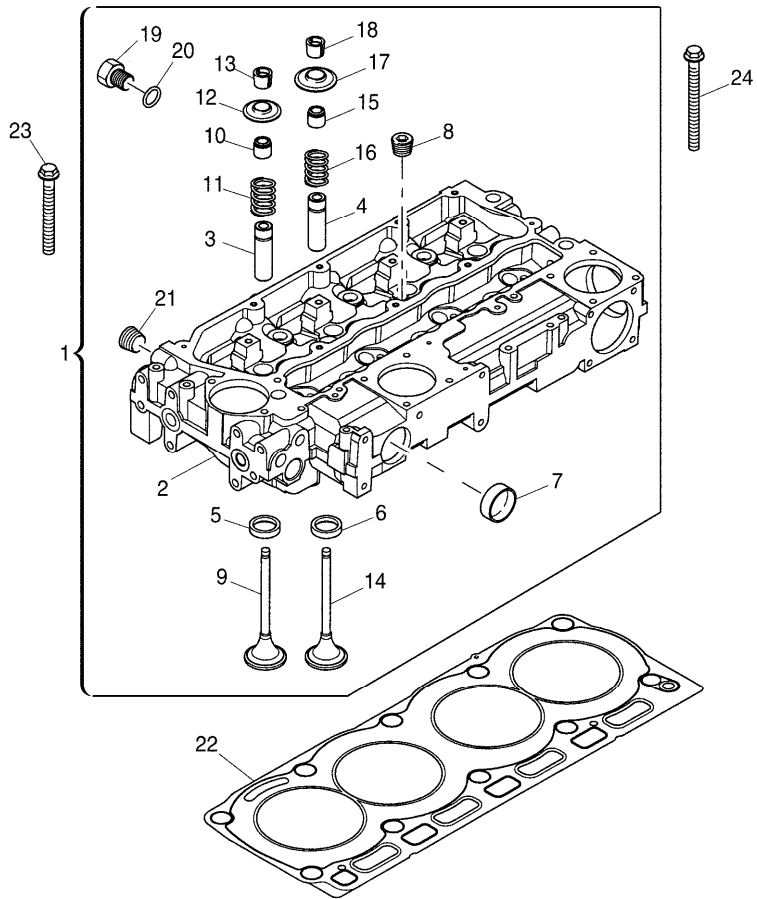
RS24\000020527.png

A-05
07



A0507

Cylinder head



		Inglese	
1	ZZ80280		1 Cylinder head
2		!	1 Body
		➡	Ref.n.1
3	3313A012	!	4 Insert
4	3313A012	!	4 Insert
5	3314A221	!	4 Insert
6	3314A231	!	4 Insert
7	32416117	!	2 Plug
8	0650588	!	4 Plug
9	3142H101	!	4 Valve
10	2418M519	!	4 Ring
		A	
11	3174A031	!	4 Spring
		●	T417479(4)
12	3342A021	!	4 Coperch.
13	2714A002	!	8 Collar
14	3142A171	!	4 Valve
15	2418M517	!	4 Ring
		B	
16	3174A031	!	4 Spring
		●	T417479(4)
17	3342A021	!	4 Coperch.
18	2714A002	!	8 Collar
19	3278A006	!	1 Plug
20	2415H003	!	1 Ring

Engine

C-MAX RPS Tier 3 (2008-) - RS24 - 100

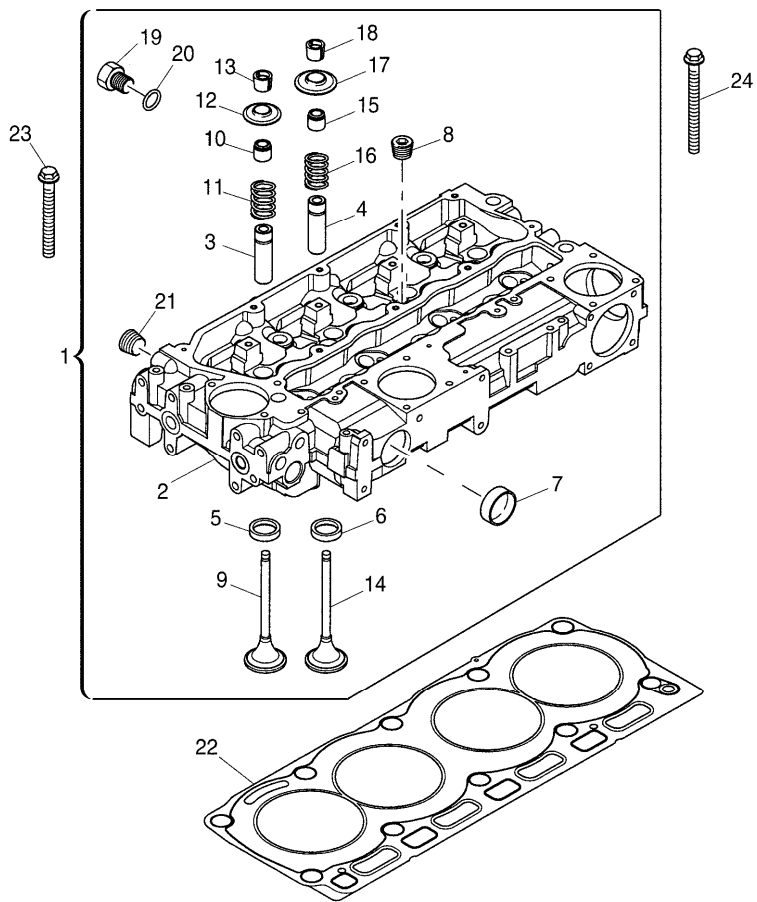
A-05
07



A0507

Cylinder head

RS24\000020527.png



21 2431154 ! 1

22 3681E051

23 3218A011

24 3218A012

! This is a component of an assembly

Not serviced, order

Replacement

A Green

B Brown

Inglese

1 Plug

1 Gasket

7 Screw

3 Screw

Engine

C-MAX RPS Tier 3 (2008-) - RS24 - 100

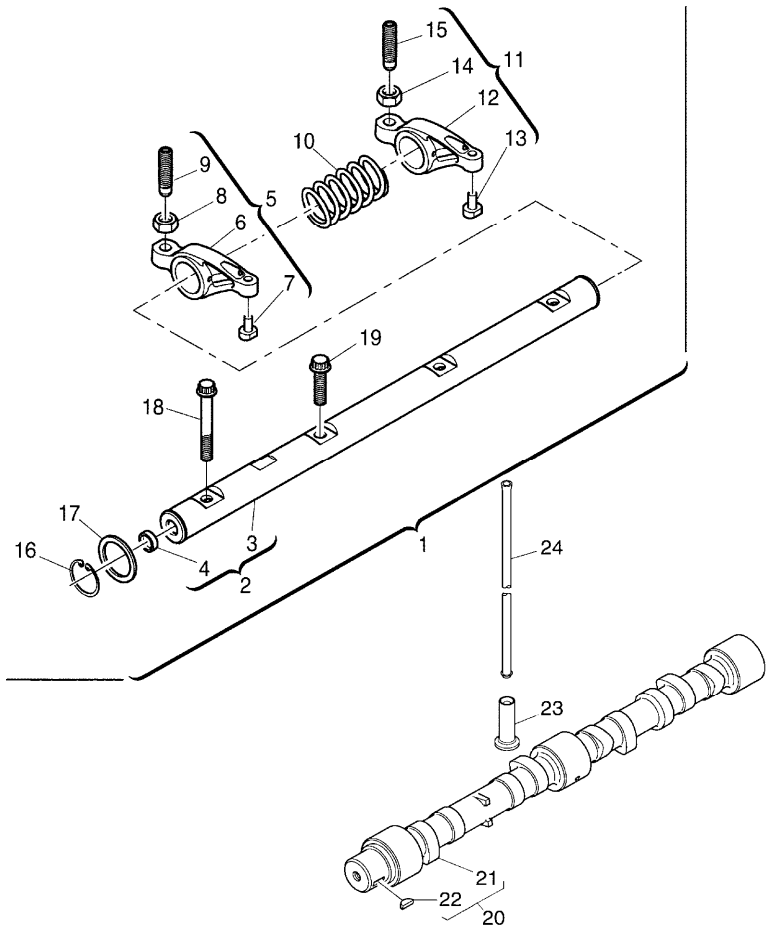
RS24\000015075.png

A-05
08



A0508

Rocker shaft



		Inglese
1	4115R613	1 Axle
2	4115R703	1 Shaft
	T-A 4:0	
3		1 Axle
	➡ Ref.n.2	
4	2485A104	2 Plug
5	4115R319	4 Lever
6		1 Rocker
	➡ Ref.n.5	
7		1 Pad
	➡ Ref.n.5	
8	3331A006	1 Nut
9	3211C004	1 Screw
10	3174A015	3 Spring
	T-A 4:0	
11	4115R318	4 Lever
12		1 Rocker
	➡ Ref.n.11	
13		1 Pad
	➡ Ref.n.11	
14	3331A006	1 Nut
15	3211C004	1 Screw
16	2722A022	2 Ring
17	2134A502	2 Washer
18	2316A901	1 Screw

Engine

C-MAX RPS Tier 3 (2008-) - RS24 - 100

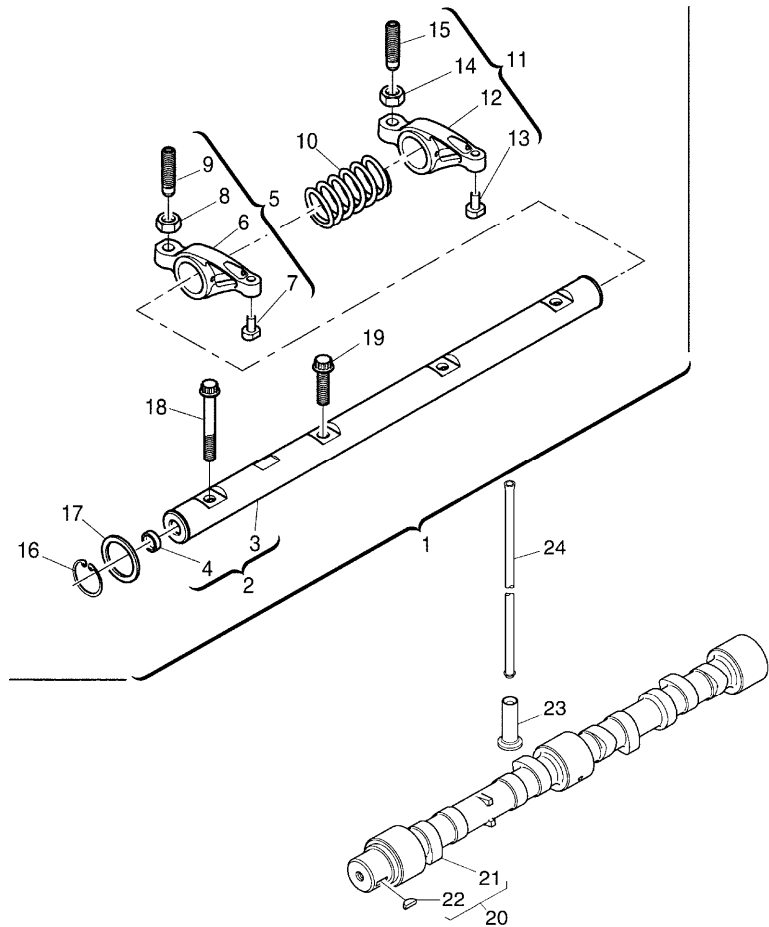
RS24\000015075.png

A-05
08



A0508

Rocker shaft



Inglese

19	2316A902	!	1	3	Screw
20	4112K032	●	4112K077(1)	1	Shaft
21		!	20	1	Shaft
		➡	Ref.n.20		
22	0500012	!	20	1	Key
23	3142U061			8	Tappet
24	3142V011			8	Rod

- ! This is a component of an assembly
- ➡ Not serviced, order
- Replacement
- T-A Replacement

Engine

C-MAX RPS Tier 3 (2008-) - RS24 - 100

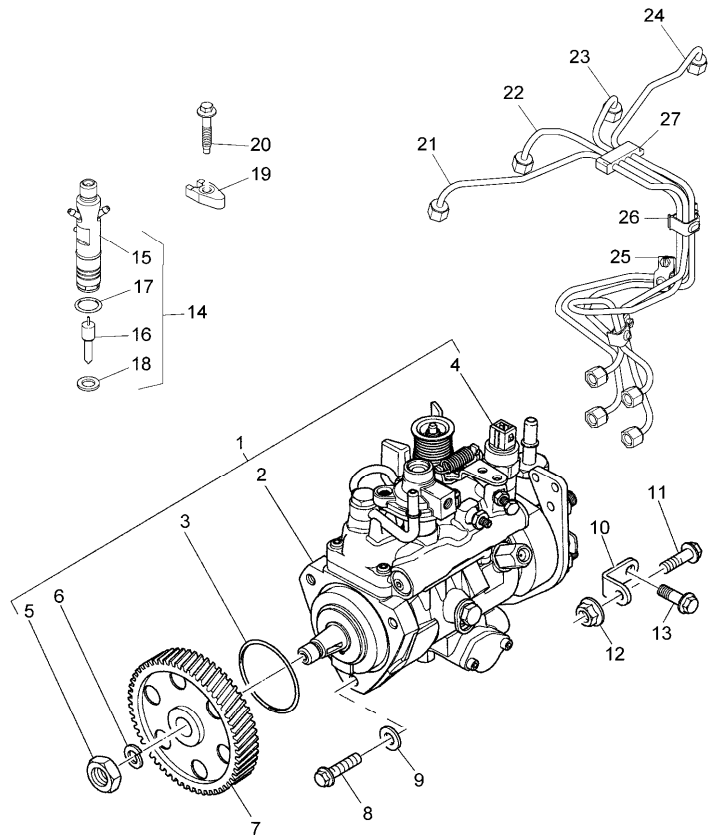
RS24\000015078.png

A-05
09



A0509

Fuel injection equipment (diesel)



		Inglese
1	2644C314/22 ●	2644C314/23(1) 1 Pump
2	!	1 Pump
3	➡ Ref.n.1	1 Ring
4	26420318 !	1 Solenoid
	T-A 4:50	
	(X) 1.2.5.	
	T-A 0:25	
5	2318A108 !	1 Nut
6	K134AF01 !	1 Washer
7	3117L261	1 Gear
8	2314H004	3 Screw
9	2411D008	3 Washer
10	3641A007	1 Stirrup
11	2314H003	1 Screw
12	2318A603	1 Nut
13	2314J002	1 Screw
14	2645K025	4 Nozzle
15	!	14 Support
	➡ Ref.n.14	
16	!	14 Nozzle
	➡ Ref.n.14	
17	26460064 !	1 Ring
18	L311FF02 !	1 Washer
19	3751A241	4 Clamp

Engine

C-MAX RPS Tier 3 (2008-) - RS24 - 100

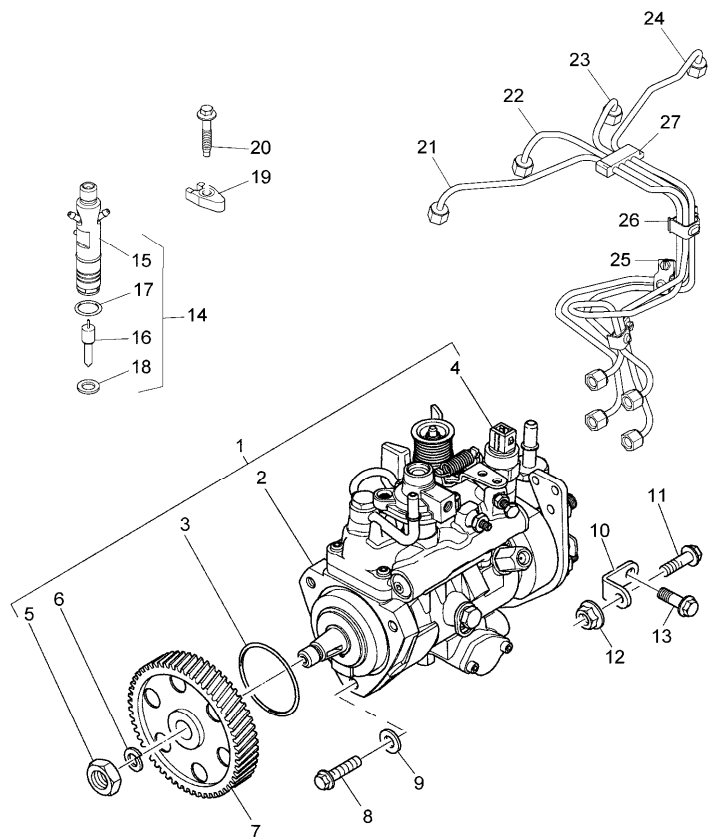
RS24\000015078.png

A-05
09



A0509

Fuel injection equipment (diesel)



- 20 2314W009
- 21 3525A101
- 22 3525A102
- 23 3525A103
- 24 3525A104
- 25 2481Y011
- 26 2481Y012
- 27 2646E019

Inglese

- 4 Screw
- 1 Pipe
- 1 Pipe
- 1 Pipe
- 1 Pipe
- 2 Clip
- 1 Clip
- 1 Clip

- ! This is a component of an assembly
- Not serviced, order
- Replacement
- (X) Qty per tractors sold (aa.bbb.ccc.ddd) (aa) for 1,(bbb) 2-10 (ccc) 11-25 (ddd) 26-50
- T-A Replacement

Engine

C-MAX RPS Tier 3 (2008-) - RS24 - 100

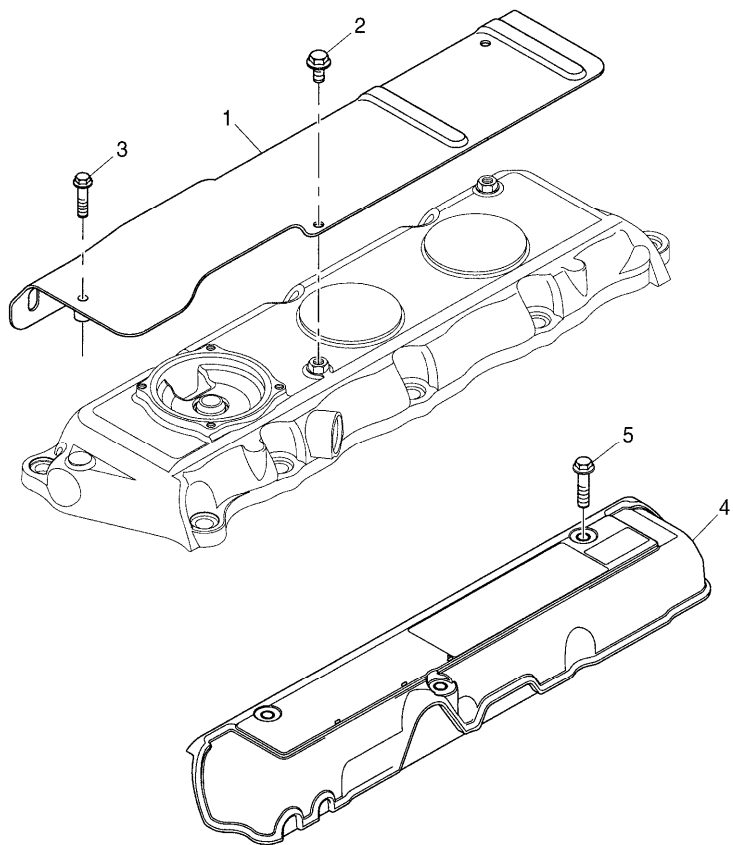
RS24\000020537.png

A-05
10



A0510

Sensor pickup



- 1 2848A127 T-A 0:50
 - 2 3161C017
 - 3 2485A109
- T-A Replacement

Inglese

- 1 Sensor
- 1 Cable
- 1 Plug

Engine

C-MAX RPS Tier 3 (2008-) - RS24 - 100

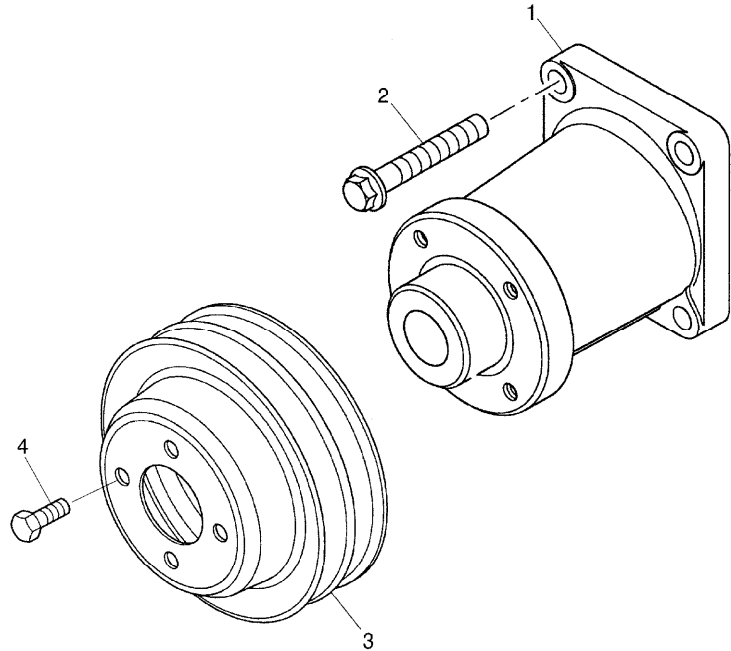
RS24\000015079.png

**A-05
11**



A0511

Fan-type pulley



- 1 4113K005 T-A 1:75
 - 2 2314J005
 - 3 3115C113 T-A 1:50
 - 4 2314C044
- T-A Replacement

Inglese

- 1 Housing
- 4 Screw
- 1 Pulley
- 4 Screw

Engine

C-MAX RPS Tier 3 (2008-) - RS24 - 100

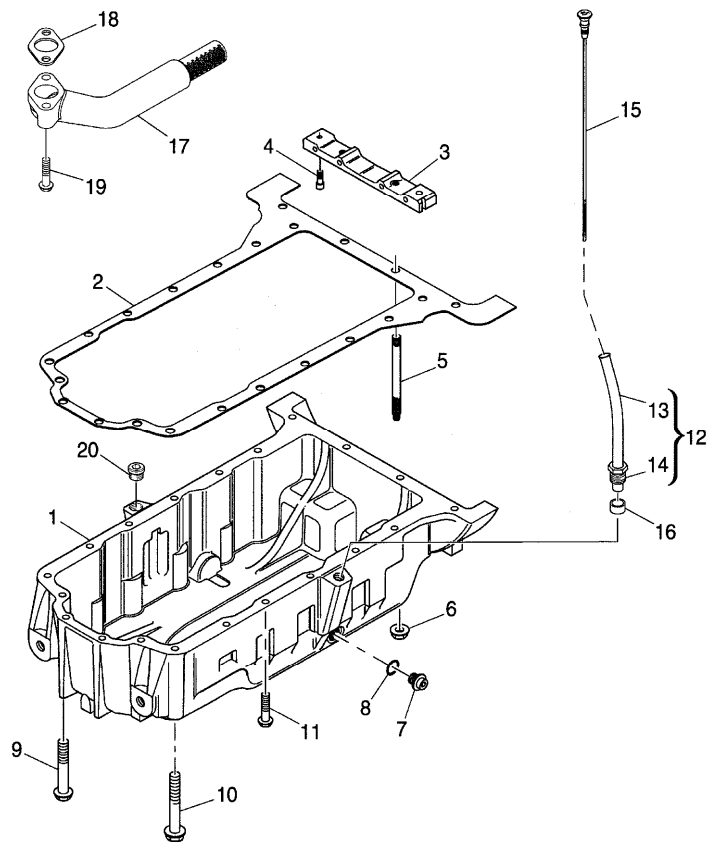
RS24\000014129.png

A-05
12



A0512

Lubricating oil sump



- 1 3717E271
- 2 3681K036 (X) 1.2.5.
T-A 1:50
- 3 3627P041 T-A 1:50
- 4 2311D039
- 5 3211P013
- 6 2318A603
- 7 32186405 T-A 0:25
- 8 2415715 T-A 0:25
- 9 2314H023
- 10 2314H022 ● 2314H052(1)
- 11 2314H015
- 12 3577A125 T-A 0:25
- 13 ! 12
- 14 ! 12
- 15 3178C081 T-A 0:25
- 16 33812116
- 17 3765A091 T-A 1:75
- 18 36832137 T-A 1:75
- 19 2314H006
- 20 2431A016

Inglese

- 1 Crankcase
- 1 Gasket
- 1 Crosspiece
- 2 Screw
- 2 Stud
- 2 Nut
- 2 Plug
- 2 Ring
- 5 Screw
- 1 Screw
- 12 Screw
- 1 Pipe
- 1 Pipe
- 1 Nut
- 1 Rod
- 1 Olive
- 1 Pipe
- 1 Gasket
- 2 Screw
- 1 Plug

! This is a component of an assembly
 ▣ Not serviced, order
 ● Replacement

Engine

C-MAX RPS Tier 3 (2008-) - RS24 - 100

A-05
12

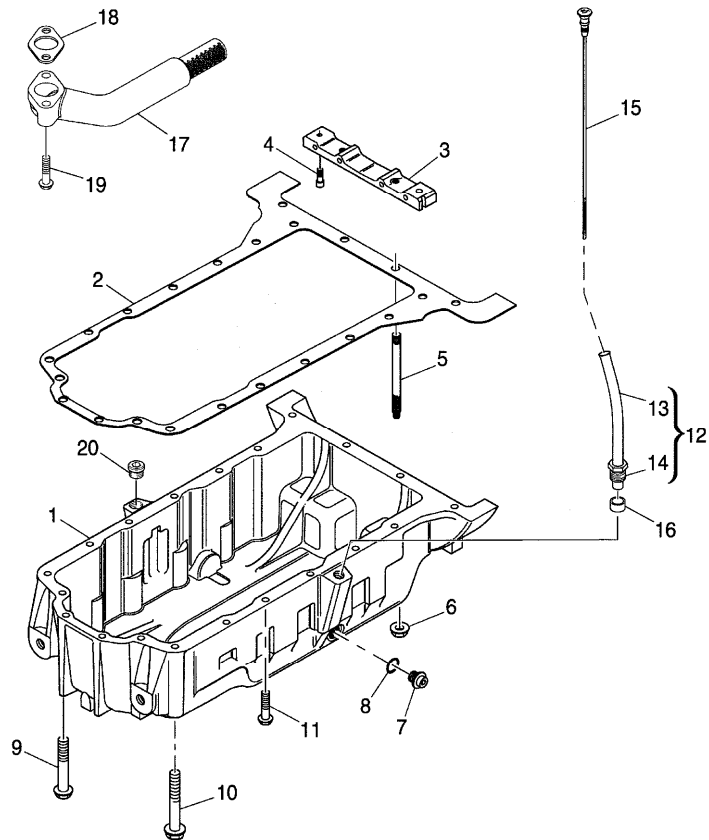


A0512

Lubricating oil sump

RS24\000014129.png

(X) Qty per tractors sold (aa.bbb.ccc.ddd) (aa) for 1,(bbb) 2-10 (ccc) 11-25 (ddd) 26-50
T-A Replacement



Engine

C-MAX RPS Tier 3 (2008-) - RS24 - 100

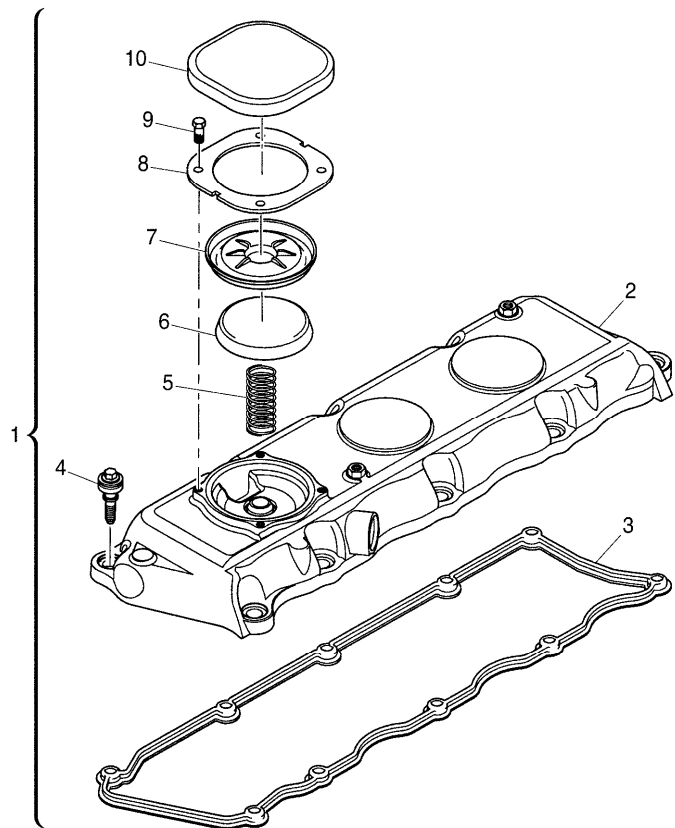
RS24\000020533.png

A-05
13



A0513

Cylinder head cover



		Inglese	
1	4142X325	● T417478(1)	1 Coperch.
2		! 1	1 Cover
3	3681A055	▣ Ref.n.1	1 Gasket
		(X) 1.2.5.	
		T-A 1:0	
4		! 1	10 Screw
		▣ Ref. n.1	
5	3174A017	! 1	1 Spring
		T-A 0:25	
6	3788A002	! 1	1 Cap
		T-A 0:25	
7	3789A001	! 1	1 Diaphragm
		T-A 0:25	
8	3615A009	! 1	1 Plate
		T-A 0:25	
9	2151A001	! 1	4 Screw
10	3788A003	! 1	1 Cap
		T-A 0:25	
	!	This is a component of an assembly	
	▣	Not serviced, order	
	●	Replacement	
	(X)	Qty per tractors sold (aa.bbb.ccc.ddd) (aa) for 1,(bbb) 2-10 (ccc) 11-25 (ddd) 26-50	
	T-A	Replacement	

Engine

C-MAX RPS Tier 3 (2008-) - RS24 - 100

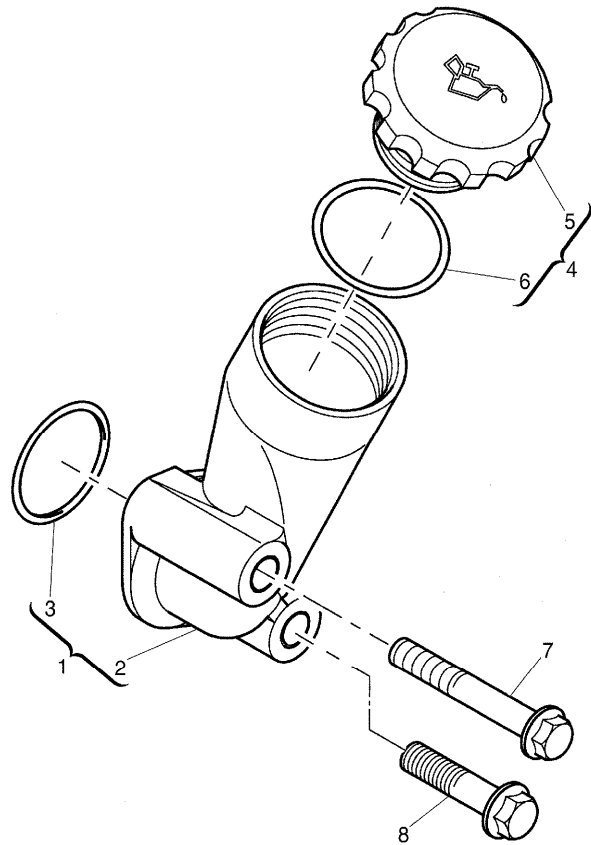
RS24\000020589.png

A-05
14



A0514

Filler



		Inglese	
1	4134C019	● N.L.S.(1) T-A 0:25	1 Filler
2		! 1 ➡ Ref.n.1	1 Body
3	2415B121	! 1 T-A 0:25	1 O ring
4	4142X098	! 1 T-A 0:25	1 Plug
5		! 4 ➡ Ref.n.4	1 Plug
6	2415633	! 4 T-A 0:25	1 O ring
7	2314K161		1 Screw
8	2314H008		1 Screw
		! This is a component of an assembly	
		➡ Not serviced, order	
		● Replacement	
		T-A Replacement	

Engine

C-MAX RPS Tier 3 (2008-) - RS24 - 100

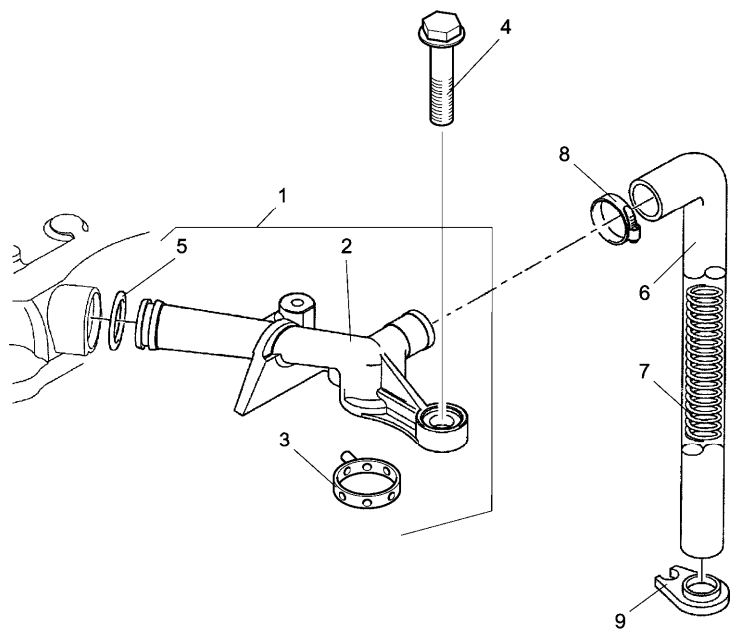
RS24\000014130.png

A-05
15



A0515

Breather



- 1 4134K022
 - 2 ! 1
 - 3 2415H701 ! 1
 - 4 2314F005
 - 5 2415A068 ! 1
 - 6 33872632 T-A 0:50
 - 7 3175P003 T-A 0:25
 - 8 2481877
 - 9 36241123 T-A 0:25
- ! This is a component of an assembly
 Not serviced, order
 T-A Replacement

Inglese

- 1 Pipe
- 1 Pipe
- 1 Ring
- 2 Screw
- 1 Ring
- 1 Pipe
- 1 Nut
- 1 Clamp
- 1 Support

Engine

C-MAX RPS Tier 3 (2008-) - RS24 - 100

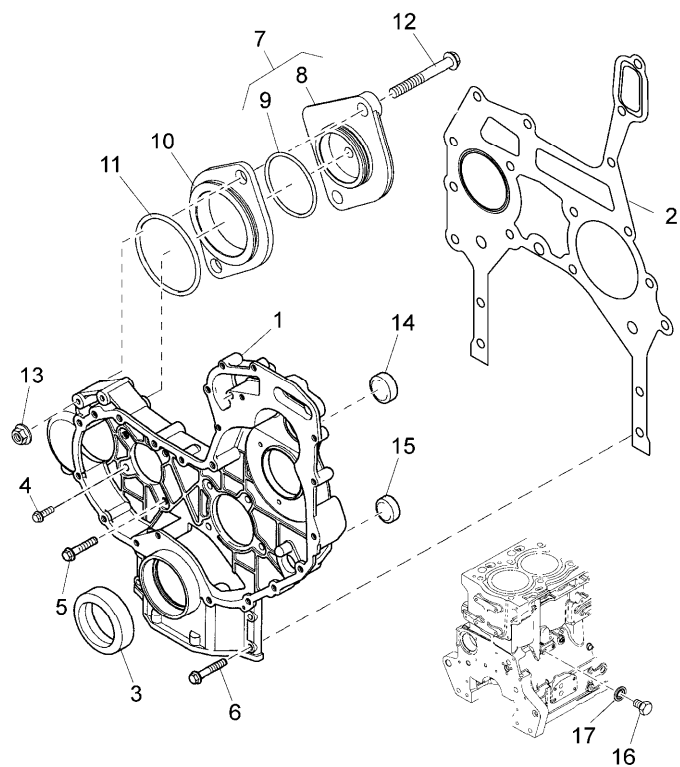
**A-05
16**



A0516

Gasket sets

RS24\000015081.png



		Inglese
1	3716C581	1 Housing
2	3681P053	1 Gasket
3	2418F437	1 Seal
4	2314H003	6 Screw
5	2314H006	2 Screw
6	2314H034	4 Screw
7	4148K012	1 Plate
8	! 7	1 Plate
	➡ Ref.n.7	
9	2415H515	1 Ring
10	3617A021	1 Disc
11	2415H516	1 O ring
12	2314J014	2 Screw
13	2318A604	2 Nut
14	2485A124	1 Plug
15	2485A124	1 Plug
16	2314C049	1 Screw
17	2415D053	1 Washer
!	This is a component of an assembly	
➡	Not serviced, order	
T-A	Replacement	

Engine

C-MAX RPS Tier 3 (2008-) - RS24 - 100

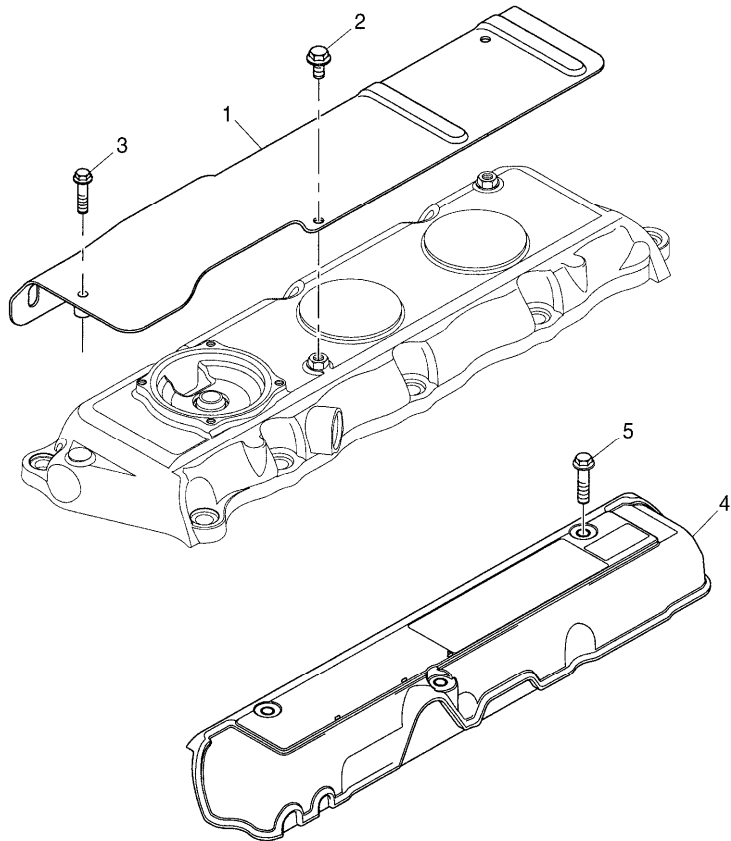
RS24\000020537.png

A-05
17



A0517

Cylinder head cover



- 1 3812A026 T-A 0:25
 - 2 2314F001
 - 3 2314F006
 - 4 3788N003
 - 5 2314F003
- T-A Replacement

Inglese

- 1 Heatshield
- 2 Screw
- 1 Screw
- 1 Cover
- 3 Screw

Engine

C-MAX RPS Tier 3 (2008-) - RS24 - 100

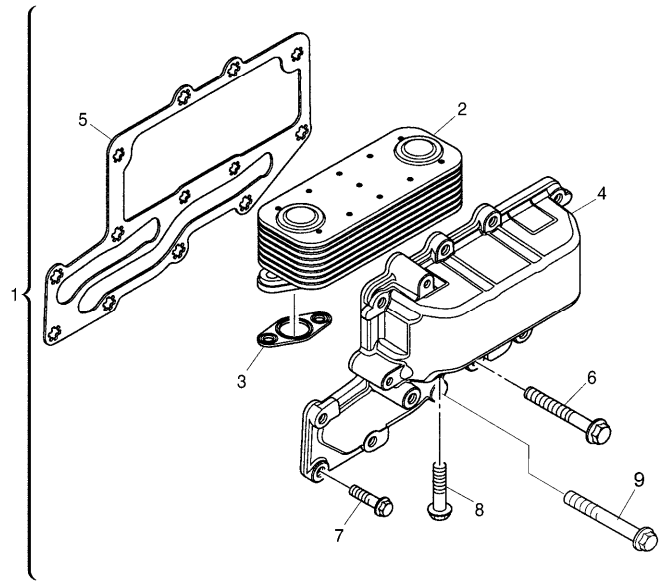
RS24\000015031.png

A-05
18



A0518

Oil radiator



		Inglese	
1	4134W021	● 4134W025(1)	1 Radiator
2	2486A217	! 1	1 Radiator
		T-A 1:0	
3	3685A025	! 1	2 Ring
		T-A 1:0	
4		! 1	1 Cooler
		➡ Ref.n.1	
5	3685A033	! 1	1 Gasket
6	2314K161	! 1	3 Screw
7	2314H004	! 1	8 Screw
8	2314H006	! 1	4 Screw
9	2311D060	! 1	2 Screw

- ! This is a component of an assembly
- ➡ Not serviced, order
- Replacement
- T-A Replacement

Engine

C-MAX RPS Tier 3 (2008-) - RS24 - 100

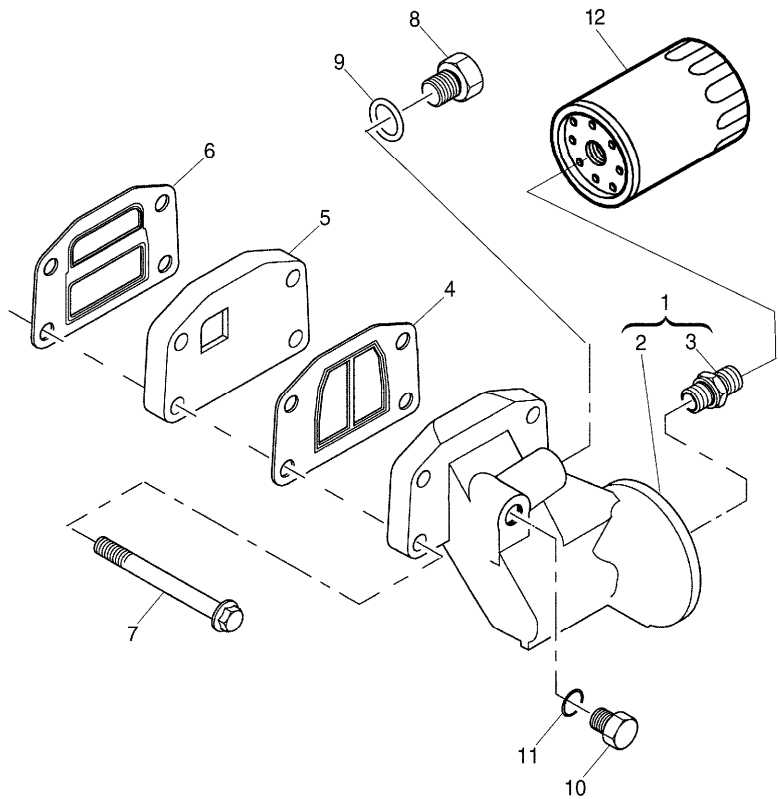
RS24\000020539.png

**A-05
19**



A0519

Lubricating oil filter



		Inglese
1	3773A071	1 Head
2	! 1	1 Head
	➤ Ref.n.1	
3	! 1	1 Union
	➤ Ref. n.1	
4	3688A041 (X) 1.2.5. T-A 0:50	1 Ring
5	3773A081 T-A 0:50	1 Adaptor
6	3688A039 (X) 1.2.5. T-A 0:50	1 Gasket
7	2314H038	4 Screw
8	3278A004	1 Plug
9	2415H002	1 Ring
10	3278A007	1 Plug
11	2415H009	1 O ring
12	⦿ A-05 20 04	1 Filter
!	This is a component of an assembly	
⦿	See page - reference number	
➤	Not serviced, order	
(X)	Qty per tractors sold (aa.bbb.ccc.ddd) (aa) for 1,(bbb) 2-10 (ccc) 11-25 (ddd) 26-50	
T-A	Replacement	



Suggest:

For more complete manuals. Please go to the home page.

<https://www.ebooklibonline.com>

If the above button click is invalid. Please download this document first, and then click the above link to download the complete manual.

Thank you so much for reading

Engine

C-MAX RPS Tier 3 (2008-) - RS24 - 100

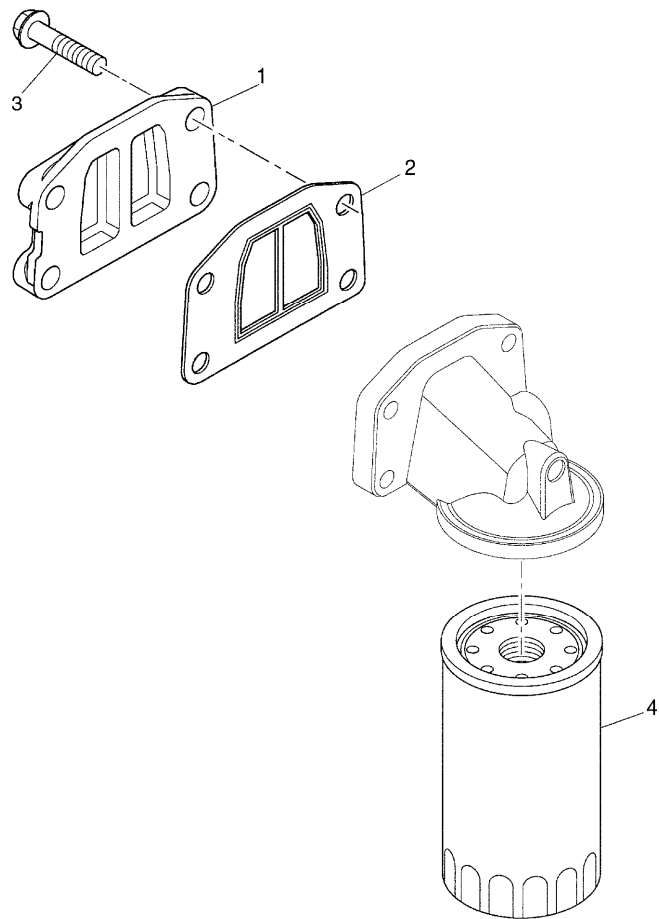
RS24\000015082.png

A-05
20



A0520

Closing plate



- 1 3753A071
- 2 3688A041 (X) 1.2.5.
T-A 0:50
- 3 2314H034
- 4 701899A1 (X) 1.2.5.
T-A 0:25

Inglese

- 1 Coperch.
- 1 Ring
- 4 Screw
- 1 Filter

(X) Qty per tractors sold (aa.bbb.ccc.ddd) (aa) for 1,(bbb) 2-10 (ccc) 11-25 (ddd) 26-50
T-A Replacement

Engine

C-MAX RPS Tier 3 (2008-) - RS24 - 100

RS24\000014134.png

A-05
21



A0521

Front end drive input - auxiliary drive

1 3115T051 T-A 1:50

2 3241N001 T-A 1:50

3 32186137

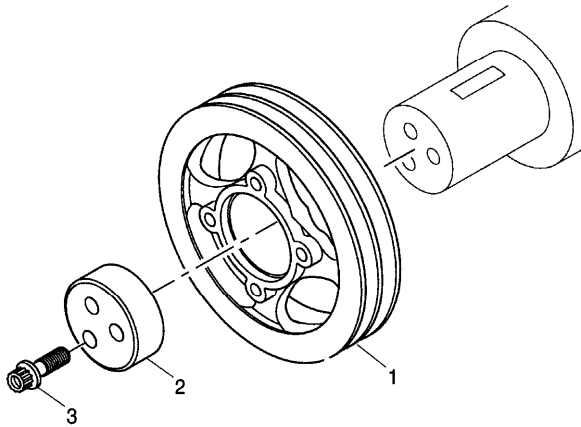
T-A Replacement

Inglese

1 Pulley

1 Block

3 Screw



<https://www.ebooklibonline.com>

Hello dear friend!

Thank you very much for reading.

Enter the link into your browser.

The full manual is available for immediate download.

<https://www.ebooklibonline.com>