

Engine

C-MAX RPS Tier 3 (2008-) - RS24 - 90

RS24\00005170.png

A-05
01



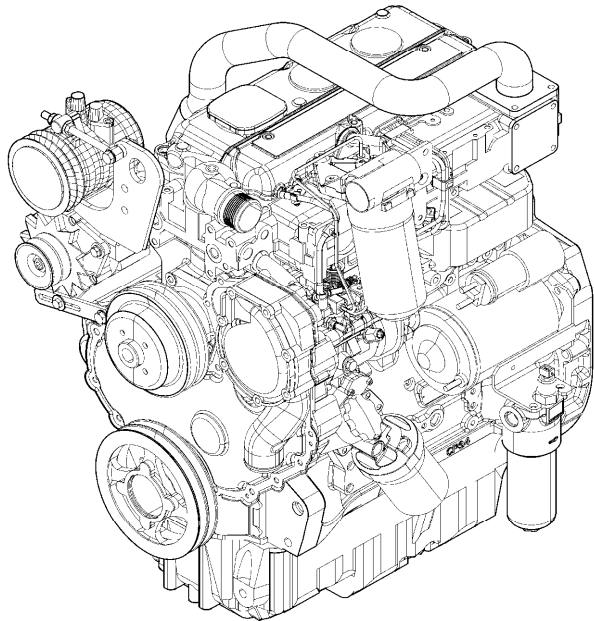
A0501

Engine assembly

Inglese

1 3695284M91 "perkins - n138967 1 Engine
60 kw

1



Engine

C-MAX RPS Tier 3 (2008-) - RS24 - 90

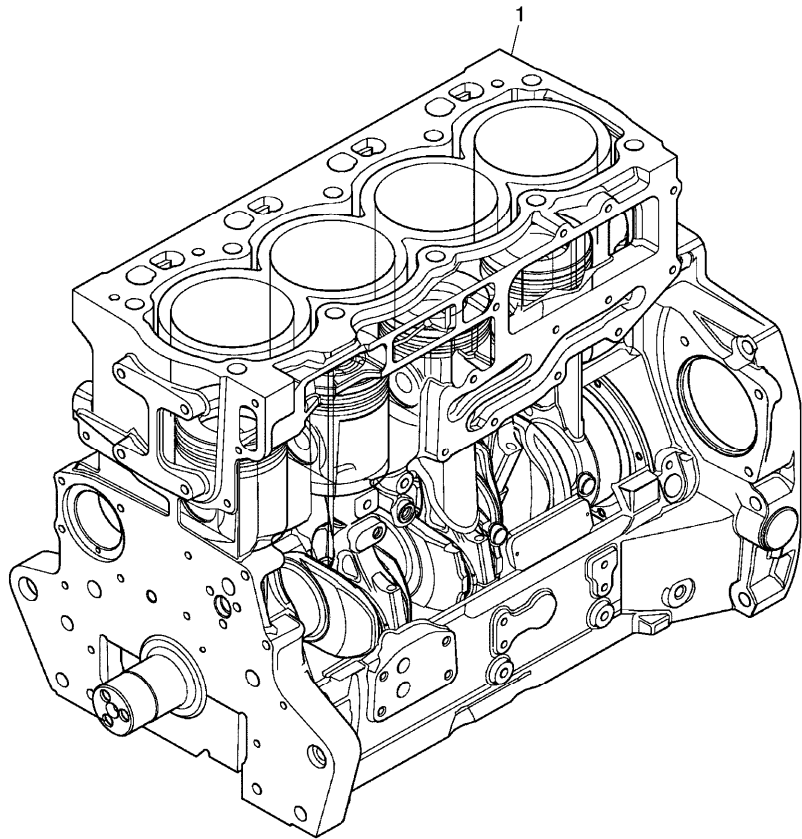
RS24\000015070.png

A-05
02



A0502

Short engine



1 NM40008



3115A141(1),
32186146(3), NM4



Replacement

Inglese

1 Short engine

Engine

C-MAX RPS Tier 3 (2008-) - RS24 - 90

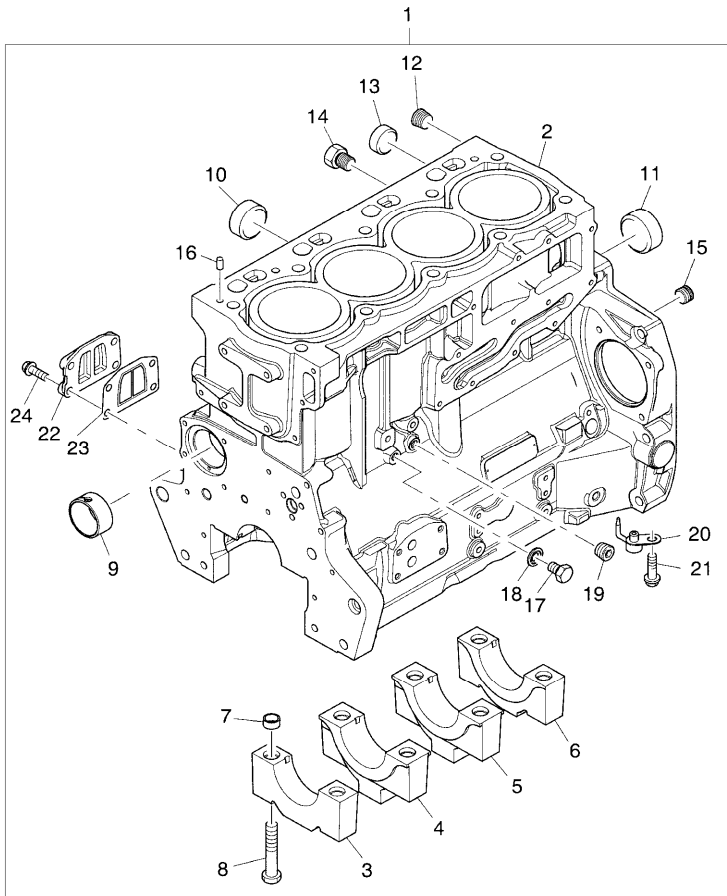
**A-05
03**



A0503

Cylinder block

RS24\000015072.png



			Inglese
1	👁	A-05 02 01	1 Kit
2	!	1	1 Cylinder block
3	➡	Ref.n.1	1 Bearing
4	!	1	2 Bearing
5	➡	Ref.n.1	1 Bearing
6	!	1	1 Bearing
7	➡	Ref.n.1	10 Manicott
8	!	1	10 Screw
9	!	1	1 Bush
	●	3112D075(1)	
10	!	1	2 Plug
11	!	1	1 Plug
12	!	1	1 Plug
13	!	1	1 Plug
14	!	1	1 Plug
15	!	1	1 Plug
16	!	1	2 Dowel
17	!	1	1 Screw
18	!	1	1 Washer
19	!	1	1 Plug

<https://www.ebooklibonline.com>

Hello dear friend!

Thank you very much for reading.

Enter the link into your browser.

The full manual is available for immediate download.

<https://www.ebooklibonline.com>

Engine

C-MAX RPS Tier 3 (2008-) - RS24 - 90

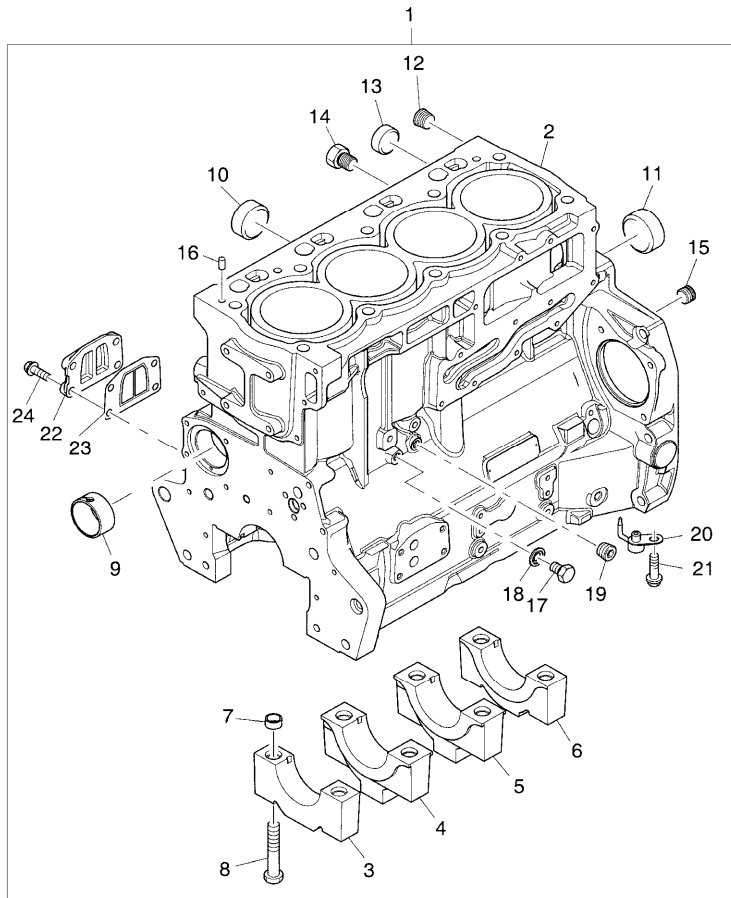
RS24\000015072.png

A-05
03



A0503

Cylinder block



- 20 2113A003 ! 1
- 21 2314F001 ! 1
- 22 3753A071 ! 1
- 23 3688A041 ! 1
- 24 2314H034 ! 1

Inglese

- 4 Atomiser
- 4 Screw
- 1 Coperch.
- 1 Ring
- 4 Screw

- ! This is a component of an assembly
- 👁 See page - reference number
- 🔧 Not serviced, order
- Replacement

Engine

C-MAX RPS Tier 3 (2008-) - RS24 - 90

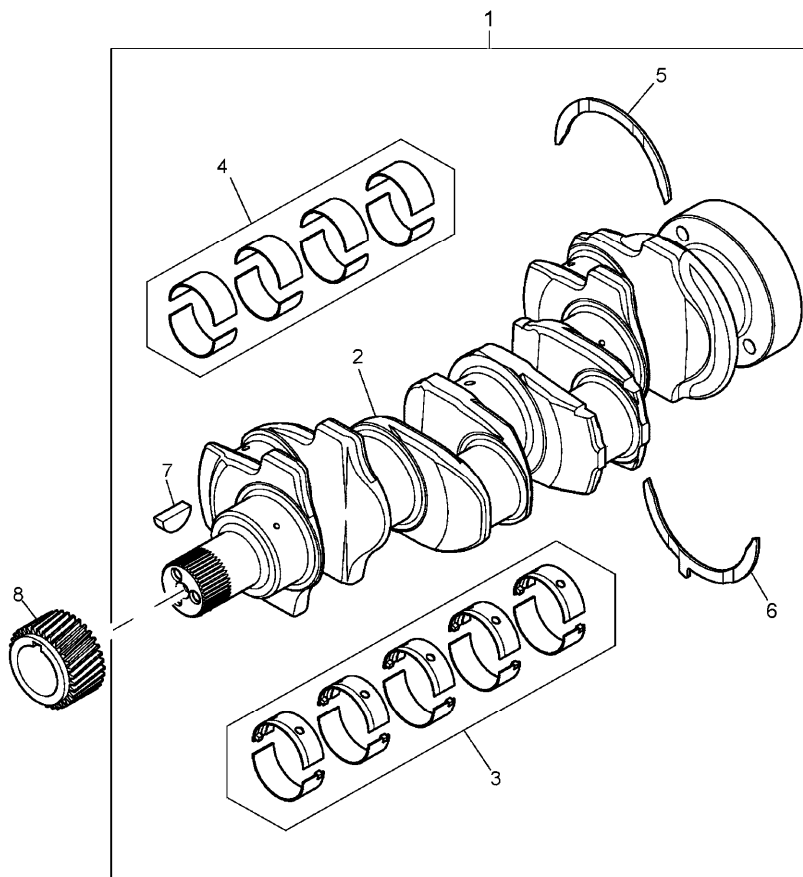
RS24\000015073.png

A-05
04



A0504

Camshaft



		Inglese	
1	ZZ90222	➔ U491476 t ● ZZ90239(1) T-A 15:0	1 Kit
1	ZZ90237	➔ U491477 t	1 Shaft
2		! 1	1 Shaft
		➔ Ref.n.1	
3	U5MB0018	! 1 ● U5MB0033(1) T-A 15:0	1 Kit
3	U5MB0018A	! 1 ⚡ 0.010" ● U5MB0033A(1) T-A 15:0	1 Kit
3	U5MB0018B	! 1 ⚡ 0.020" ● U5MB0033B(1) T-A 15:0	1 Kit
3	U5MB0018C	! 1 ⚡ 0.030" ● N.L.A.(1) T-A 15:0	1 Kit
4	T400002	! 1 ➔ U491477 t ● T410927(1)	1 Kit

Engine

C-MAX RPS Tier 3 (2008-) - RS24 - 90

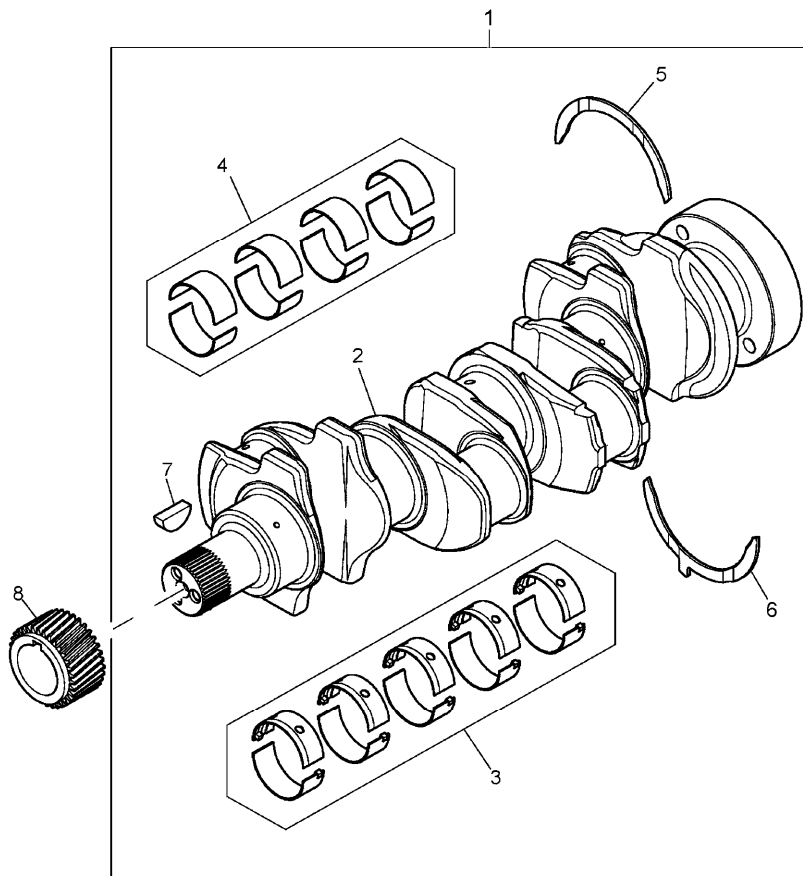
A-05
04



A0504

Camshaft

RS24\000015073.png



Inglese

4	U5ME0026	!	1	1 Kit
		➔	U491476 t	
		●	U5ME0034(1)	
4	U5ME0026A	!	1	1 Kit
		⌵	0.25mm	
		➔	U491476 t	
		●	U5ME0034A(1)	
4	U5ME0026B	!	1	1 Kit
		⌵	0.50mm	
		➔	U491476 t	
		●	U5ME0034B(1)	
4	U5ME0026C	!	1	1 Kit
		⌵	0.75mm	
		➔	U491476 t	
		●	U5ME0034C(1)	
5	31137312	!	1	2 Ring
		⌵	0.007"	
		T-A	15:0	
5	31137551	!	1	2 Washer
		T-A	15:0	
6	31137322	!	1	2 Ring
		⌵	0.007"	
		T-A	15:0	
6	31137561	!	1	2 Washer
		T-A	15:0	

Engine

A-05
04

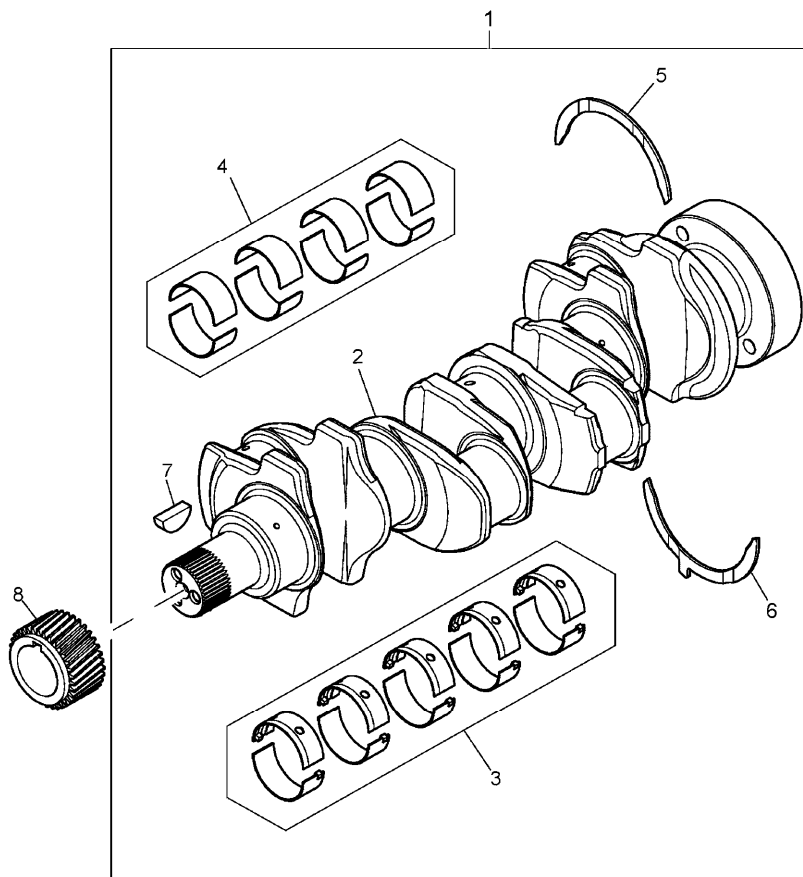
Camshaft

C-MAX RPS Tier 3 (2008-) - RS24 - 90



A0504

RS24\000015073.png



Inglese

7 0500012 ! 1 1 Key

T-A 10:0

8 3117C221 T-A 10:0 1 Gear

! This is a component of an assembly

➔ From serial or engine number

➔ Up to serial or engine number

⊔ Not serviced, order

⊔ Shim

● Replacement

T-A Replacement

Engine

C-MAX RPS Tier 3 (2008-) - RS24 - 90

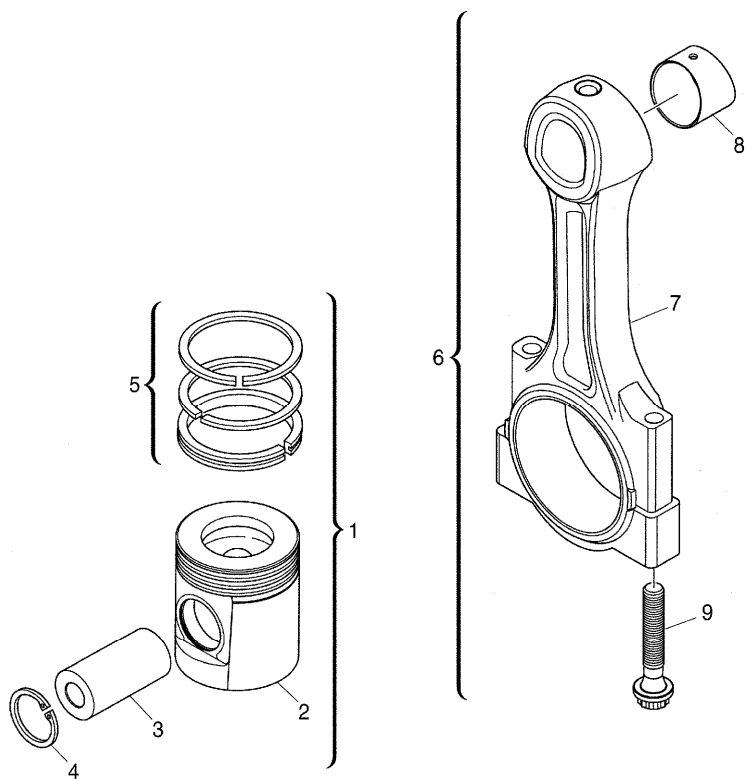
RS24\000020562.png

A-05
05



A0505

Pistons and connecting rods



			Inglese
1	U5PR0062	Std	4 Kit
1	U5PR0062B	+0,5 mm	4 Kit
2		! 1	1 Piston
		➡ Ref.n.1	
3		! 1	1 Piston
		➡ Ref.n.1	
4	2721332	! 1	2 Ring
5	UPRK0005	! 1	1 Kit
6	4115C311	➡ U491477 t	4 Kit
		A	
		T-A 14:0	
6	4115C312	➡ U491477 t	4 Kit
		B	
		T-A 14:0	
6	4115C313	➡ U491477 t	4 Kit
		C	
		T-A 14:0	
6	4115C314	➡ U491477 t	4 Kit
		D	
		T-A 14:0	
6	4115C315	➡ U491477 t	4 Kit
		E	
		T-A 14:0	
6	4115C316	➡ U491477 t	4 Kit
		F	
		T-A 14:0	

Engine

C-MAX RPS Tier 3 (2008-) - RS24 - 90

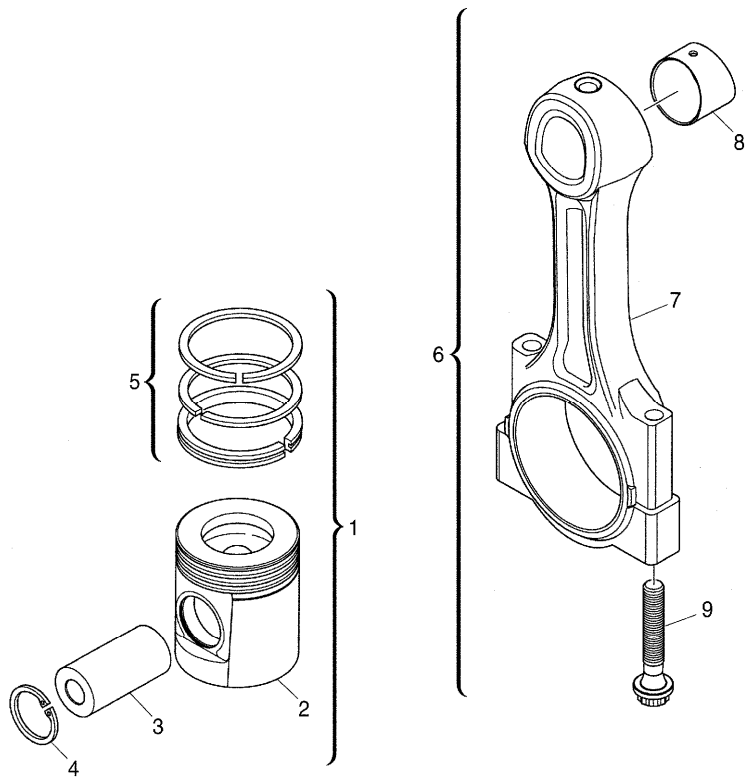
RS24\000020562.png

A-05
05



A0505

Pistons and connecting rods



			Inglese
6	4115C361	➡ U491478 t	4 Conrod
		A	
6	4115C362	➡ U491478 t	4 Conrod
		B	
6	4115C363	➡ U491478 t	4 Conrod
		C	
6	4115C364	➡ U491478 t	4 Conrod
		D	
6	4115C365	➡ U491478 t	4 Conrod
		E	
6	4115C366	➡ U491478 t	4 Conrod
		F	
7		! 6	1 Conrod
		➡ Ref.n.6	
8	3112A005	! 6	1 Bush
		T-A 14:0	
9	3212V003	! 6	2 Screw
!	This is a component of an assembly		
➡	From serial or engine number		
➡	Up to serial or engine number		
➡	Not serviced, order		
T-A	Replacement		
A	Red		
B	Orange		
C	White		
D	Green		
E	Purple		
F	Blue		

Engine

C-MAX RPS Tier 3 (2008-) - RS24 - 90

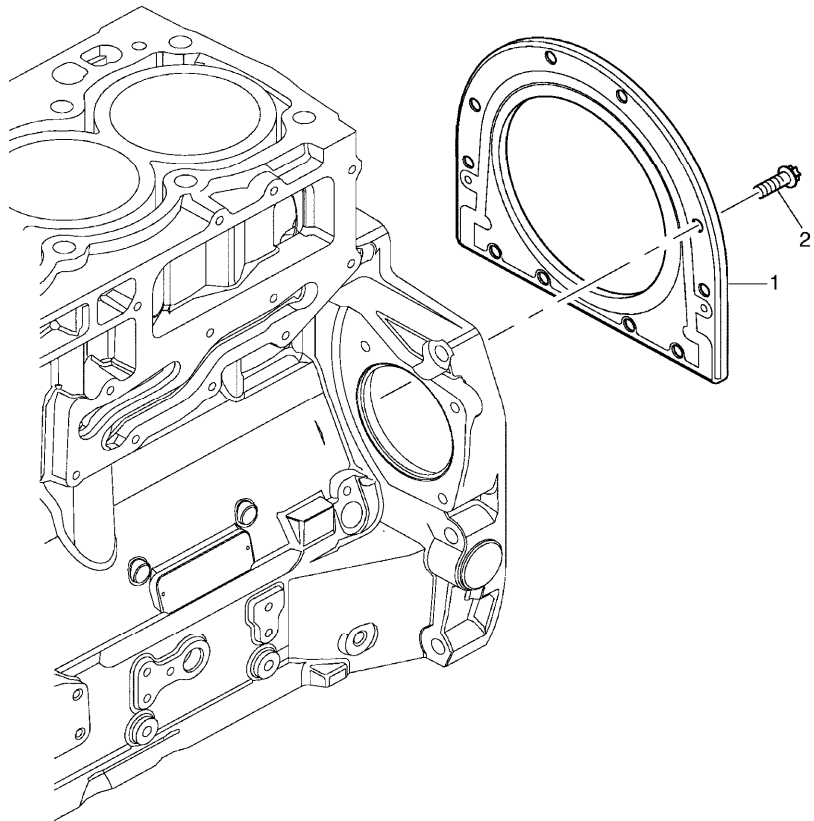
RS24\000015074.png

A-05
06



A0506

End cover



1 2418F704 T-A 9:0

2 3211C002

T-A Replacement

Inglese

1 Housing

10 Screw

Engine

C-MAX RPS Tier 3 (2008-) - RS24 - 90

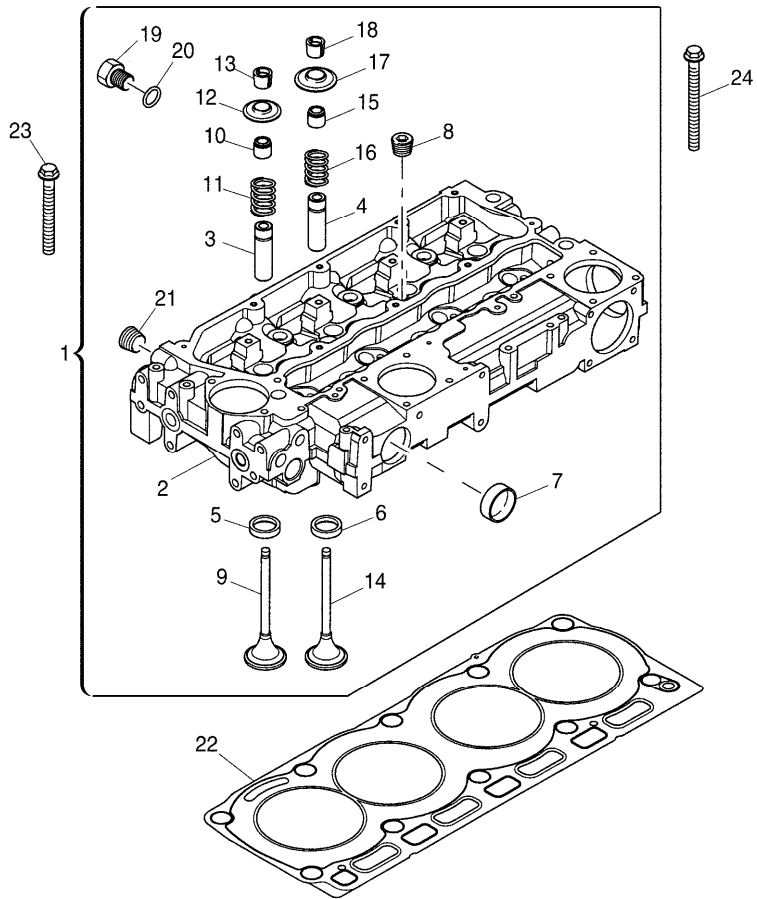
RS24\000020527.png

**A-05
07**



A0507

Cylinder head



			Inglese
1	ZZ80279		1 Cylinder head
2		! 1	1 Kit
		➡ Ref.n.1	
3	3313A012	! 1	4 Insert
4	3313A012	! 1	4 Insert
5	3314A221	! 1	4 Insert
6	3314A231	! 1	4 Insert
7	32416117	! 1	2 Plug
8	0650588	! 1	4 Plug
9	3142H101	! 1	4 Valve
10	2418M519	! 1	4 Ring
		A	
11	3174A031	! 1	4 Spring
		● T417479(4)	
12	3342A021	! 1	4 Coperch.
13	2714A002	! 1	8 Collar
14	3142A171	! 1	4 Valve
15	2418M517	! 1	4 Ring
		B	
16	3174A031	! 1	4 Spring
		● T417479(4)	
17	3342A021	! 1	4 Coperch.
18	2714A002	! 1	8 Collar
19	3278A006	! 1	1 Plug
20	2415H003	! 1	1 Ring

Engine

A-05
07

Cylinder head

C-MAX RPS Tier 3 (2008-) - RS24 - 90



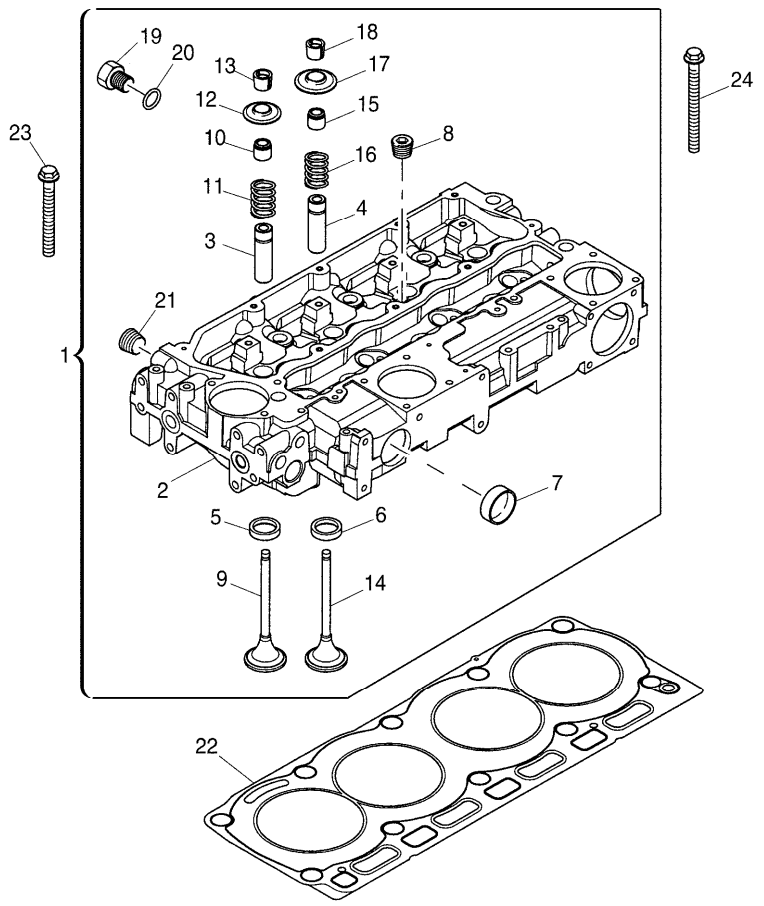
A0507

RS24\000020527.png

Inglese

- 21 2431154 ! 1
- 22 3681E051
- 23 3218A011
- 24 3218A012
- ! This is a component of an assembly
- 🔧 Not serviced, order
- 🔴 Replacement
- A Green
- B Brown

- 2 Plug
- 1 Gasket
- 7 Screw
- 3 Screw



Engine

C-MAX RPS Tier 3 (2008-) - RS24 - 90

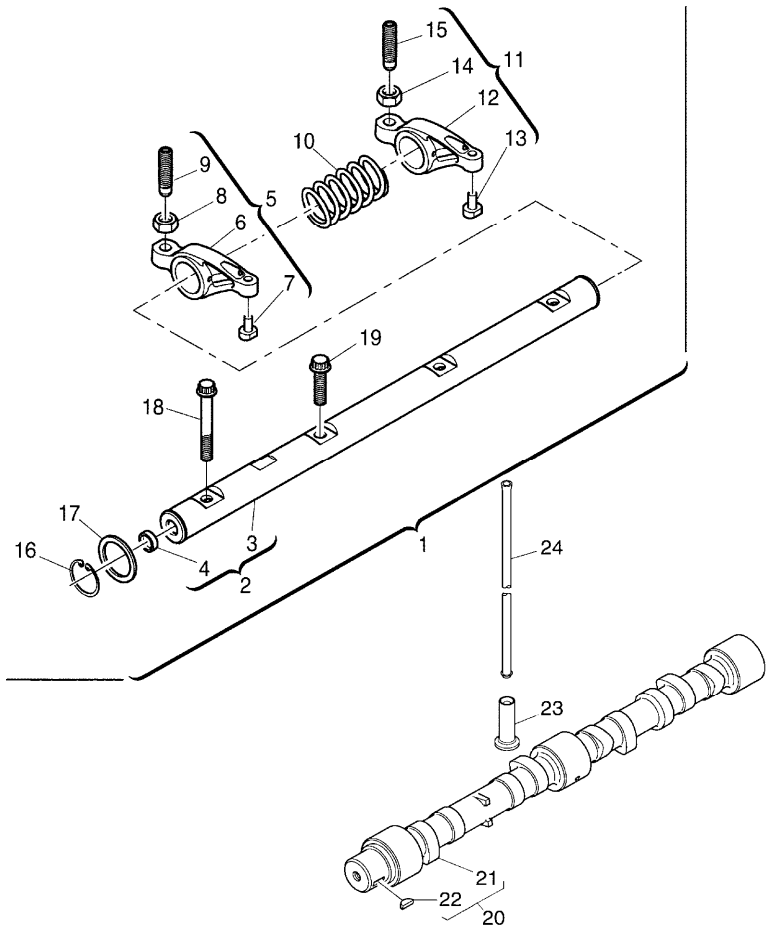
RS24\000015075.png

A-05
08



A0508

Rocker shaft



			Inglese
1	4115R613		1 Axle
2	4115R703	! 1	1 Shaft
		T-A 4:0	
3		! 2	1 Axle
		➡ Ref.n.2	
4	2485A104	! 2	2 Plug
5	4115R319	! 1	4 Lever
6		! 5	1 Rocker
		➡ Ref.n.5	
7		! 5	1 Pad
		➡ Ref.n.5	
8	3331A006	! 5	1 Nut
9	3211C004	! 5	1 Screw
10	3174A015	! 1	3 Spring
		T-A 4:0	
11	4115R318	! 1	4 Lever
12		! 11	1 Rocker
		➡ Ref.n.11	
13		! 11	1 Pad
		➡ Ref.n.11	
14	3331A006	! 11	1 Nut
15	3211C004	! 11	1 Screw
16	2722A022	! 1	2 Ring
17	2134A502	! 1	2 Washer
18	2316A901	! 1	1 Screw

Engine

C-MAX RPS Tier 3 (2008-) - RS24 - 90

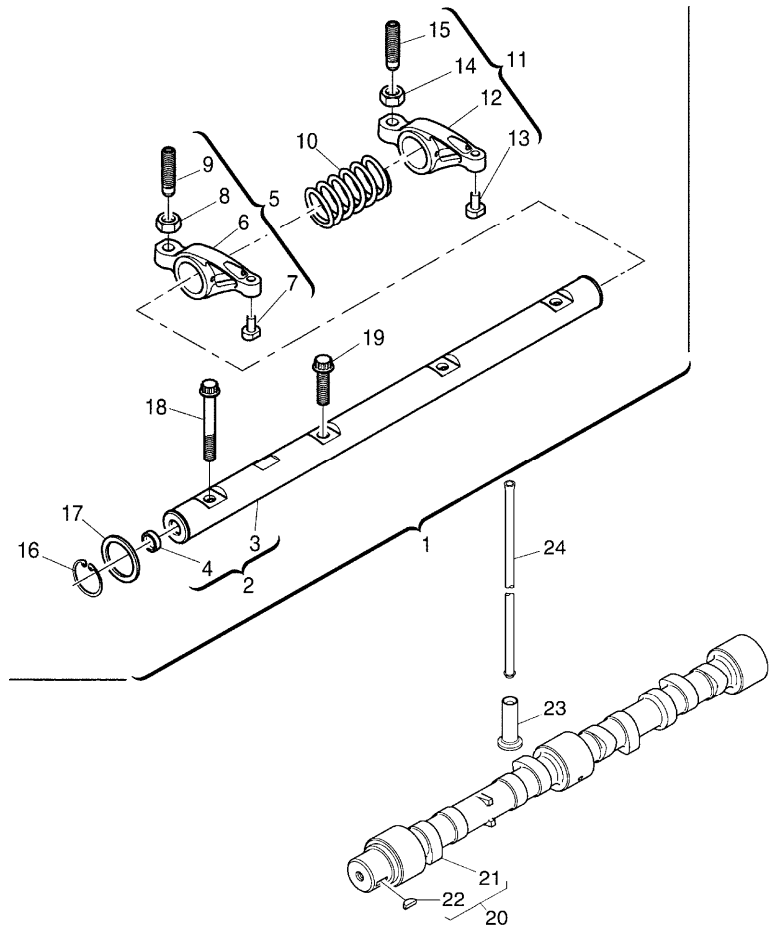
RS24\000015075.png

A-05
08



A0508

Rocker shaft



Inglese

19	2316A902	!	1	3	Screw
20	4112K032	●	4112K077(1)	1	Shaft
21		!	20	1	Shaft
		➡	Ref.n.20		
22	0500012	!	20	1	Key
23	0500012	!	20	1	Key
23	3142U061			8	Tappet
24	3142V011			8	Rod
!	This is a component of an assembly				
➡	Not serviced, order				
●	Replacement				
T-A	Replacement				

Engine

C-MAX RPS Tier 3 (2008-) - RS24 - 90

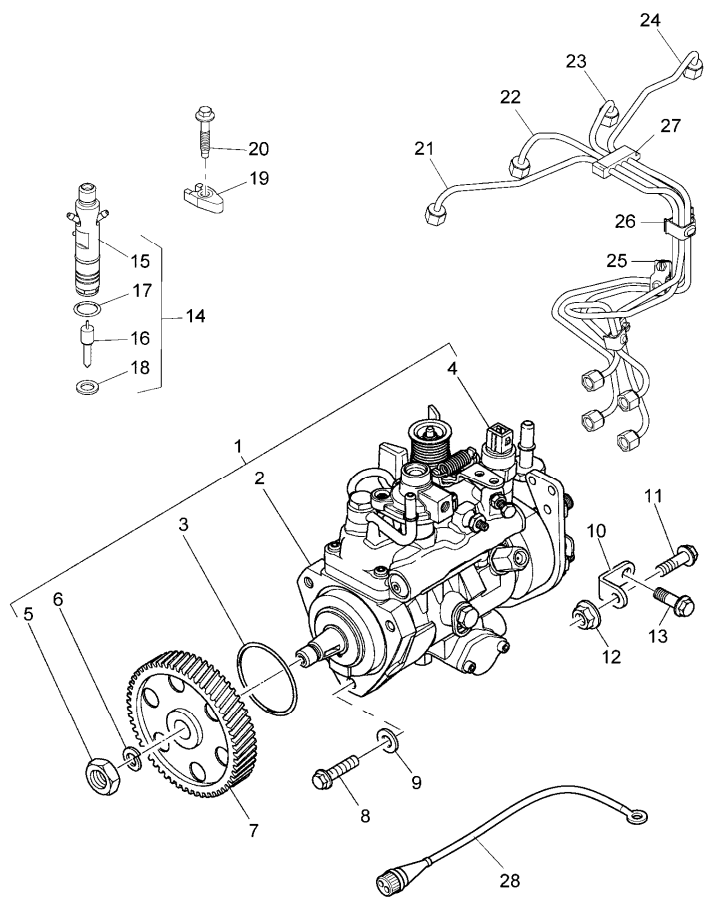
**A-05
09**



A0509

Fuel injection equipment (diesel)

RS22\000015077.png



			Inglese
1	2644C342/22		1 Pump
2		! 1	1 Pump
		➡ Ref.n.1	
3	26420318	! 1	1 Ring
		T-A 4:50	
4	26420469	! 1	1 Solenoid
		(X) 1.2.5.	
		T-A 0:25	
5	2318A108	! 1	1 Nut
6	K134AF01	! 1	1 Washer
7	3117L261		1 Gear
8	2314H004		3 Screw
9	2411D008		3 Washer
10	3641A007		1 Stirrup
11	2314H003		1 Screw
12	2318A603		1 Nut
13	2314J002		1 Screw
14	2645K025		4 Nozzle
15		! 14	1 Support
		➡ Ref.n.14	
16		! 14	1 Nozzle
		➡ Ref.n.14	
17	26460064	! 14	1 Ring
18	L311FF02	! 14	1 Washer
19	3751A241		4 Clamp

Engine

C-MAX RPS Tier 3 (2008-) - RS24 - 90

**A-05
09**



A0509

Fuel injection equipment (diesel)

RS22\000015077.png

Inglese

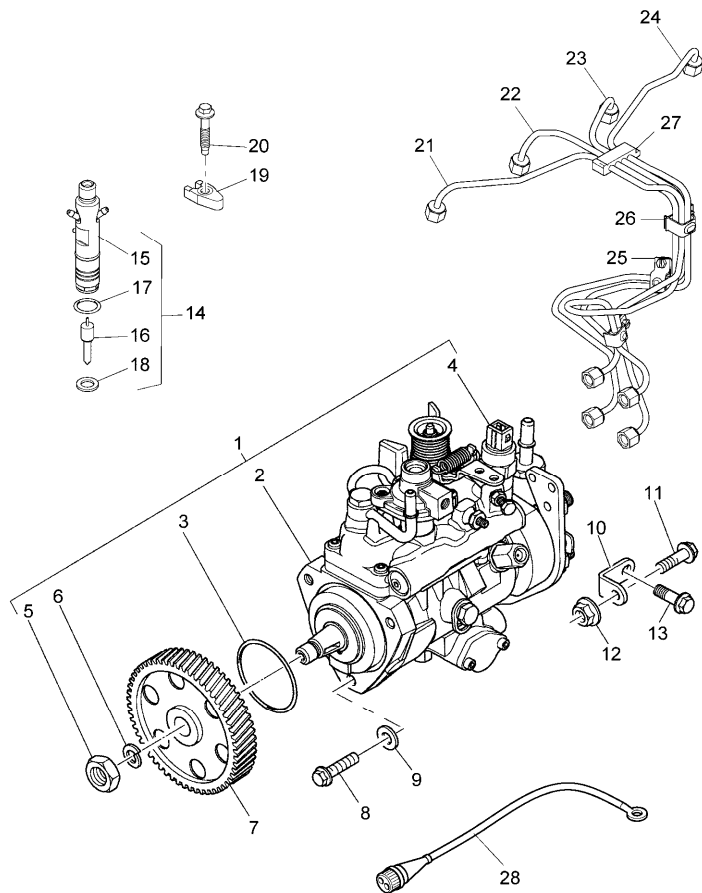
20	2314W009	4	Screw
21	3525A101	1	Pipe
22	3525A102	1	Pipe
23	3525A103	1	Pipe
24	3525A104	1	Pipe
25	2481Y011	2	Clip
26	2481Y012	1	Clip
27	2646E019	1	Clip
28	3673286M91	1	Harness "bosch"

! This is a component of an assembly

Not serviced, order

(X) Qty per tractors sold (aa.bbb.ccc.ddd) (aa) for 1,(bbb) 2-10 (ccc) 11-25 (ddd) 26-50

T-A Replacement



Engine

C-MAX RPS Tier 3 (2008-) - RS24 - 90

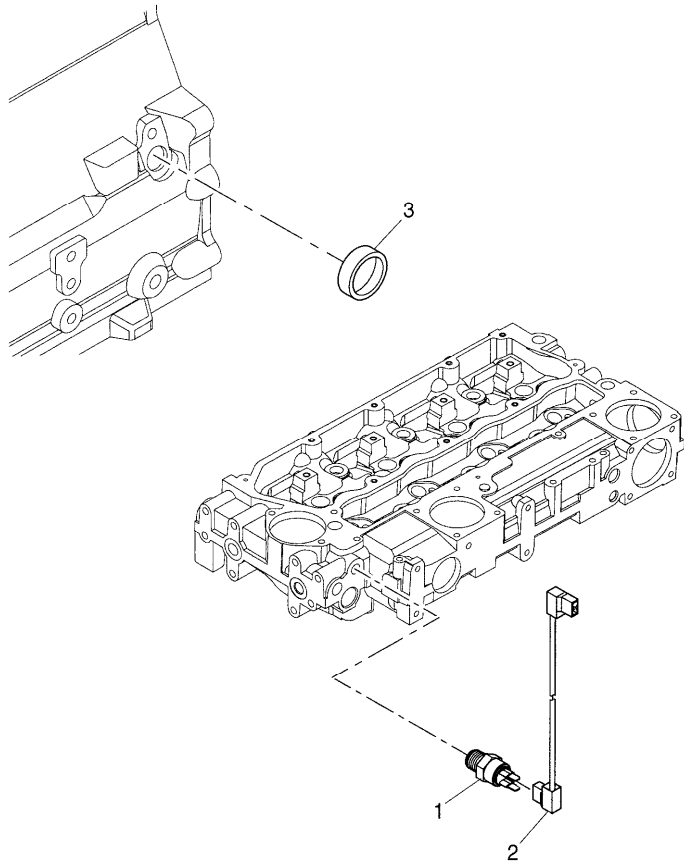
RS24\000020530.png

A-05
10



A0510

Sensor pickup



- 1 2848A127 T-A 0:50
 - 2 3161C017
 - 3 2485A109
- T-A Replacement

Inglese

- 1 Sensor
- 1 Cable
- 1 Plug

Engine

C-MAX RPS Tier 3 (2008-) - RS24 - 90

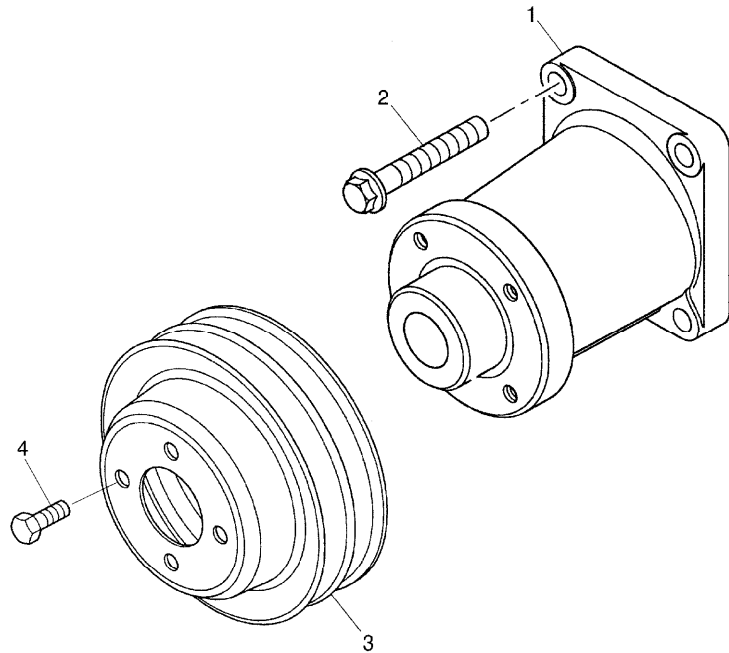
RS24\000015079.png

A-05
11



A0511

Fan-type pulley



- 1 4113K005 T-A 1:75
 - 2 2314J005
 - 3 3115C113 T-A 1:50
 - 4 2314C044
- T-A Replacement

Inglese

- 1 Housing
- 4 Screw
- 1 Pulley
- 4 Screw

Engine

C-MAX RPS Tier 3 (2008-) - RS24 - 90

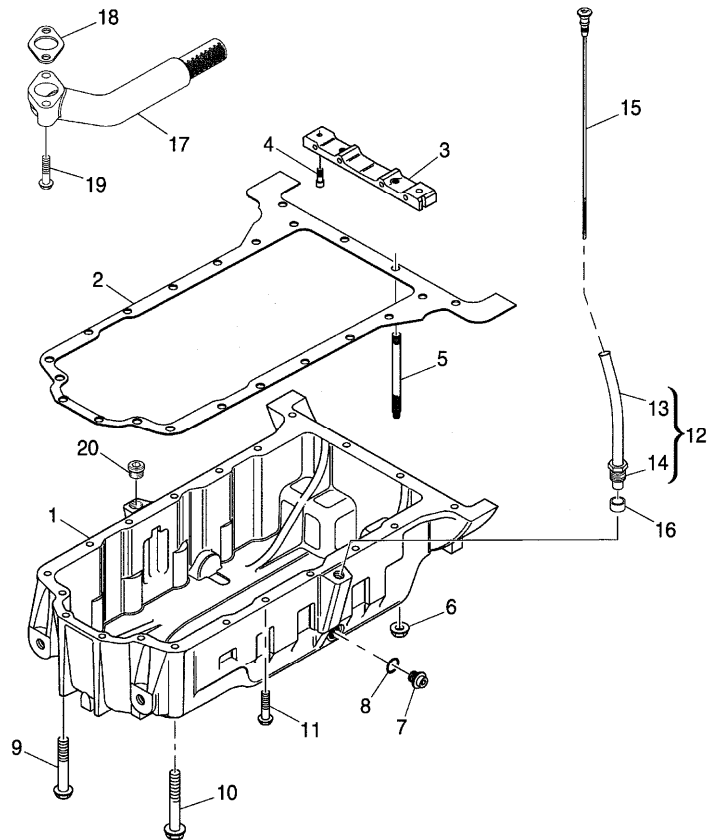
RS24\000014129.png

A-05
12



A0512

Lubricating oil sump



1	3717E271			
2	3681K036	(X)	1.2.5.	
		T-A	1:50	
3	3627P041	T-A	1:50	
4	2311D039			
5	3211P013			
6	2318A603			
7	32186405	T-A	0:25	
8	2415715	T-A	0:25	
9	2314H023			
10	2314H022	●	2314H052(1)	
11	2314H015			
12	3577A125	T-A	0:25	
13		!	12	
		➡	Ref.n.12	
14	3353D005	!	12	
15	3178C081	T-A	0:25	
16	33812116			
17	3765A091	T-A	1:75	
18	36832137	T-A	1:75	
19	2314H006			
20	2431A016			

Inglese

1	Crankcase
1	Gasket
1	Crosspiece
2	Screw
2	Stud
2	Nut
2	Plug
2	Ring
5	Screw
1	Screw
12	Screw
1	Pipe
1	Pipe
1	Nut
1	Rod
1	Olive
1	Pipe
1	Gasket
2	Screw
1	Plug

! This is a component of an assembly

➡ Not serviced, order

● Replacement

Engine

C-MAX RPS Tier 3 (2008-) - RS24 - 90

A-05
12

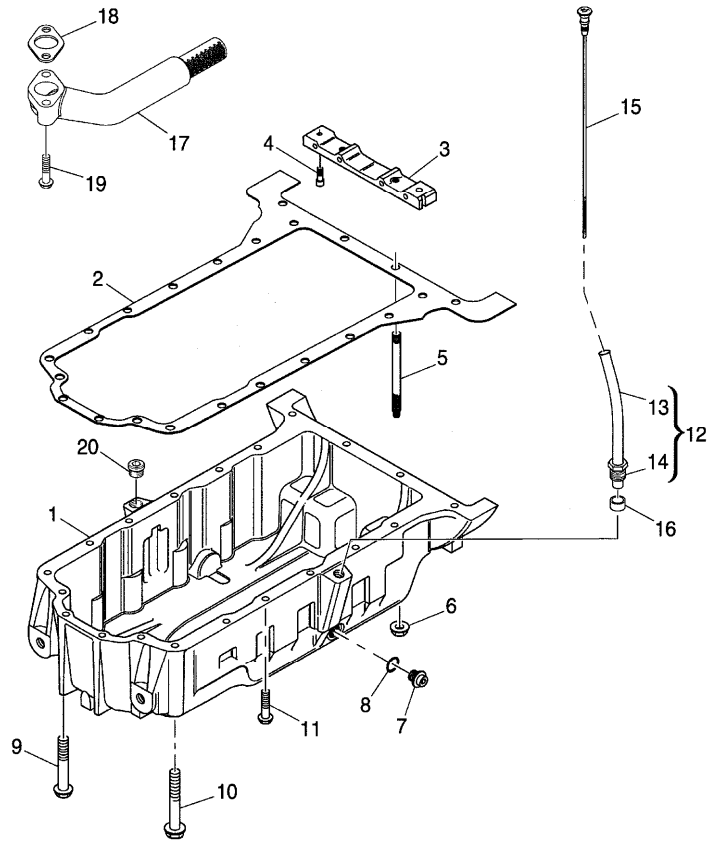


A0512

Lubricating oil sump

RS24\000014129.png

(X) Qty per tractors sold (aa.bbb.ccc.ddd) (aa) for 1,(bbb) 2-10 (ccc) 11-25 (ddd) 26-50
T-A Replacement



Engine

C-MAX RPS Tier 3 (2008-) - RS24 - 90

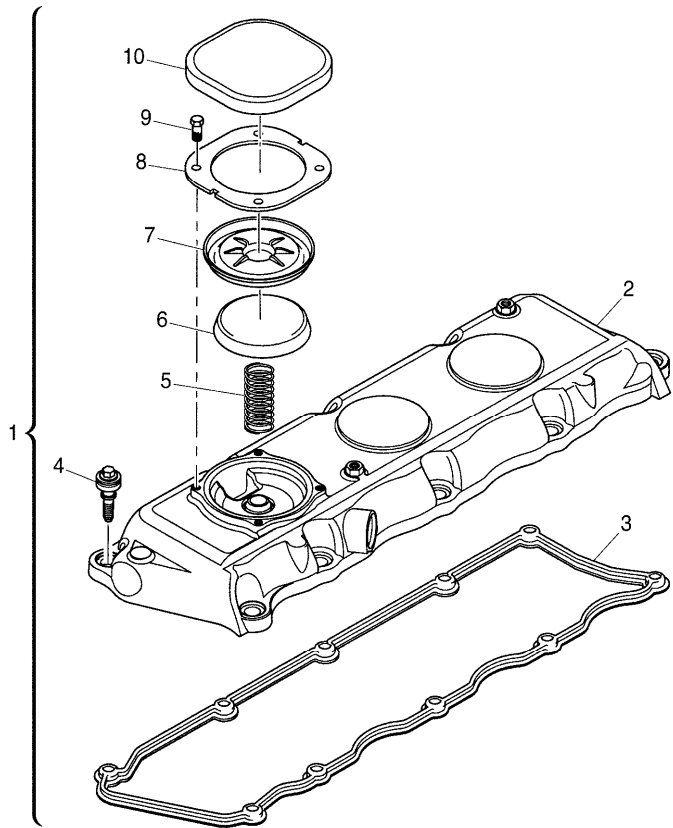
RS24\000020533.png

A-05
13



A0513

Cylinder head cover



Inglese

1	4142X325	●	T417478(1)	1	Coperch.
2		!	1	1	Cover
3	3681A055	▣	Ref.n.1	1	Gasket
4	2161A011	!	(X) 1.2.5. T-A 1:0	10	Screw
5	3174A017	●	2161A013(10)	1	Spring
6	3788A002	!	T-A 0:25	1	Cap
7	3789A001	!	T-A 0:25	1	Diaphragm
8	3615A009	!	T-A 0:25	1	Plate
9	2151A001	!	T-A 0:25	4	Screw
10	3788A003	!	T-A 0:25	1	Cap
		!	This is a component of an assembly		
		▣	Not serviced, order		
		●	Replacement		
		(X)	Qty per tractors sold (aa.bbb.ccc.ddd) (aa) for 1,(bbb) 2-10 (ccc) 11-25 (ddd) 26-50		
		T-A	Replacement		

Engine

C-MAX RPS Tier 3 (2008-) - RS24 - 90

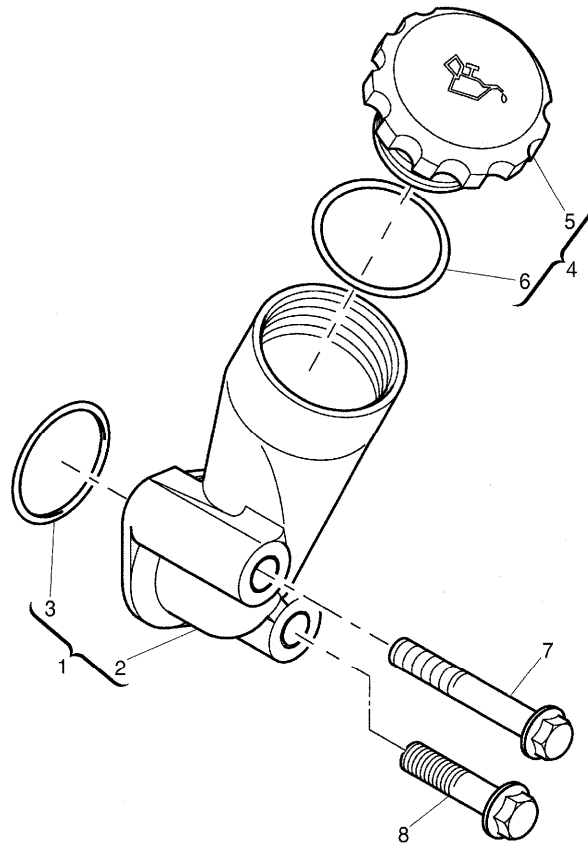
RS24\000020589.png

A-05
14



A0514

Filler



		Inglese	
1	4134C019	● N.L.S.(1) T-A 0:25	1 Filler
2		! 1 ➡ Ref.n.1	1 Body
3	2415B121	! 1 T-A 0:25	1 O ring
4	4142X098	! 1 T-A 0:25	1 Plug
5		! 4 ➡ Ref.n.4	1 Plug
6	2415633	! 4 T-A 0:25	1 O ring
7	2314K161		1 Screw
8	2314H008		1 Screw
		! This is a component of an assembly	
		➡ Not serviced, order	
		● Replacement	
		T-A Replacement	



Suggest:

For more complete manuals. Please go to the home page.

<https://www.ebooklibonline.com>

If the above button click is invalid. Please download this document first, and then click the above link to download the complete manual.

Thank you so much for reading

Engine

C-MAX RPS Tier 3 (2008-) - RS24 - 90

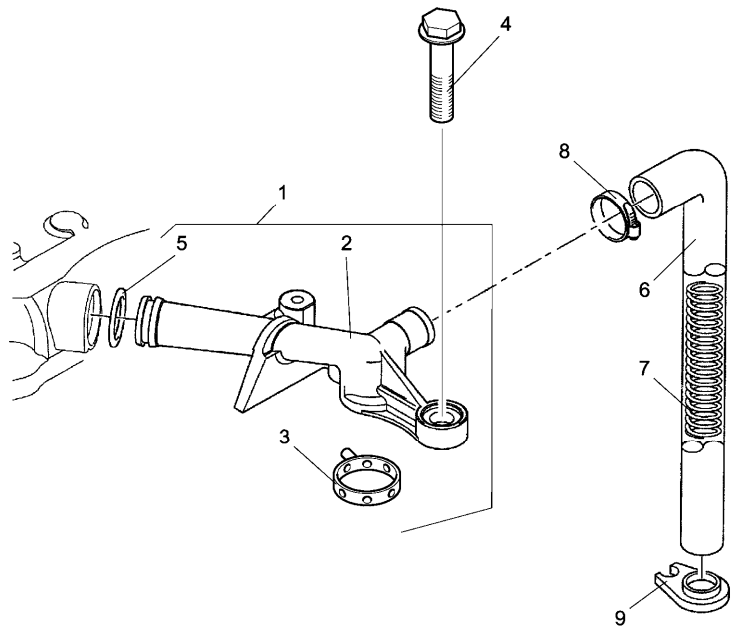
RS24\000014130.png

A-05
15



A0515

Breather



- | | | | | |
|-----|------------------------------------|-----|---------|--|
| 1 | 4134K022 | | | |
| 2 | | ! | 1 | |
| | | ➡ | Ref.n.1 | |
| 3 | 2415H701 | ! | 1 | |
| 4 | 2314F005 | | | |
| 5 | 2415A068 | ! | 1 | |
| | | T-A | 0:50 | |
| 6 | 33872632 | T-A | 0:25 | |
| 7 | 3175P003 | | | |
| 8 | 2481877 | | | |
| 9 | 36241123 | T-A | 0:25 | |
| ! | This is a component of an assembly | | | |
| ➡ | Not serviced, order | | | |
| T-A | Replacement | | | |

Inglese

- 1 Pipe
- 1 Pipe
- 1 Ring
- 2 Screw
- 1 Ring
- 1 Pipe
- 1 Nut
- 1 Clamp
- 1 Support

Engine

C-MAX RPS Tier 3 (2008-) - RS24 - 90

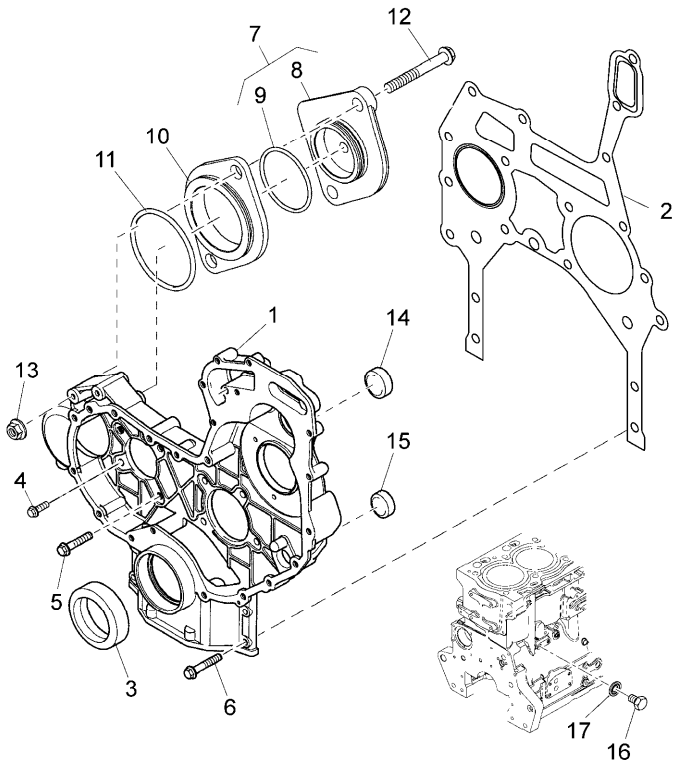
**A-05
16**



A0516

Gasket sets

RS24\000015081.png



		Inglese
1	3716C581	1 Housing
2	3681P053	1 Gasket
3	2418F437	1 Seal
4	2314H003	6 Screw
5	2314H006	2 Screw
6	2314H034	4 Screw
7	4148K012	1 Plate
8	! 7	1 Plate
	➡ Ref.n.7	
9	2415H515	1 Ring
10	3617A021	1 Disc
11	2415H516	1 O ring
12	2314J014	2 Screw
13	2318A604	2 Nut
14	2485A124	1 Plug
15	2485A124	1 Plug
16	2314C049	1 Screw
17	2415D053	1 Washer
!	This is a component of an assembly	
➡	Not serviced, order	
T-A	Replacement	

<https://www.ebooklibonline.com>

Hello dear friend!

Thank you very much for reading.

Enter the link into your browser.

The full manual is available for immediate download.

<https://www.ebooklibonline.com>