

Engine

C-MAX RPS Tier 3 (2008-) - RS24 - 80

RS24\000020625.png

A-05
01



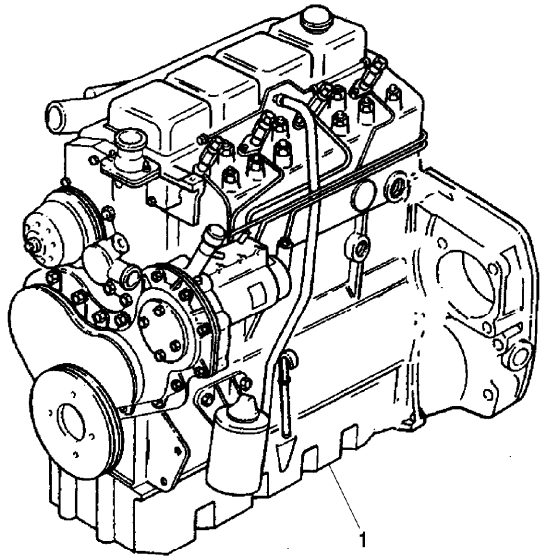
A0501

Engine assembly

Inglese

1 3693232M92

"perkins - nk3885€ 1 Engine
55.5 kw



Engine

C-MAX RPS Tier 3 (2008-) - RS24 - 80

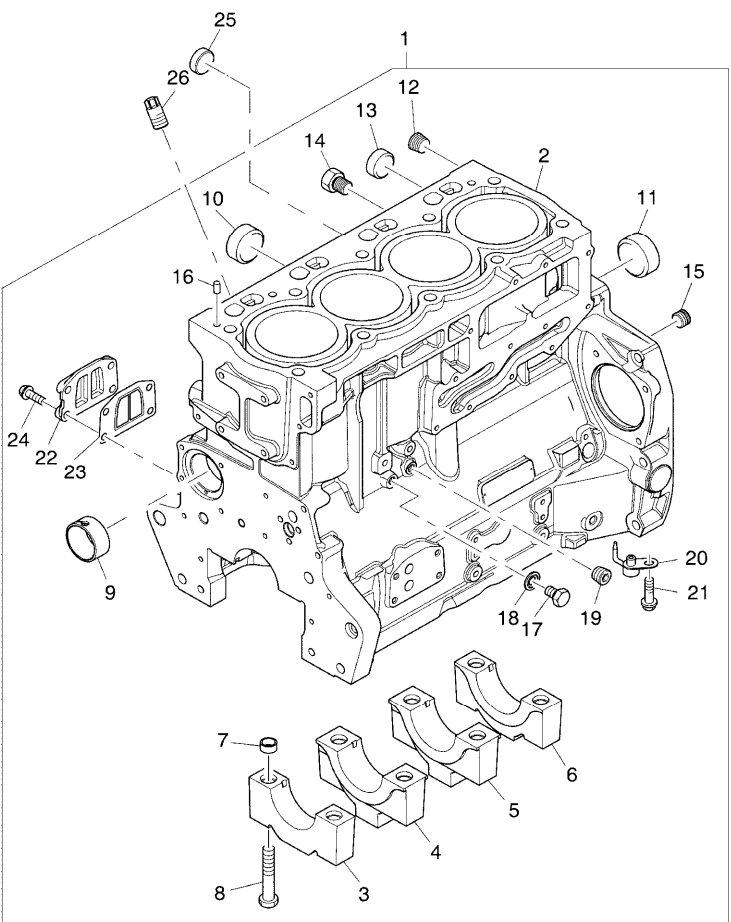
**A-05
03**



A0503

Cylinder block

RS24\000015071.png



			Inglese
1	👁	A-05 02 01	1 Kit
2	!	1	1 Cylinder block
3	➡	Ref.n.1	1 Bearing
4	!	1	2 Bearing
5	➡	Ref.n.1	1 Bearing
6	!	1	1 Bearing
7	!	33142111	10 Manicott
8	!	32166329	10 Screw
9	!	3112D071	1 Bush
	●	3112D075(1)	
10		3241A011	2 Plug
11		3241A012	1 Plug
12	!	0650588	1 Plug
13	!	0650710	1 Plug
14		32141316	1 Plug
15		3212P008	1 Plug
16		3244A009	2 Dowel
17	!	2314C049	1 Screw
18	!	2415D053	1 Washer
19	!	0650594	1 Plug

Engine

C-MAX RPS Tier 3 (2008-) - RS24 - 80

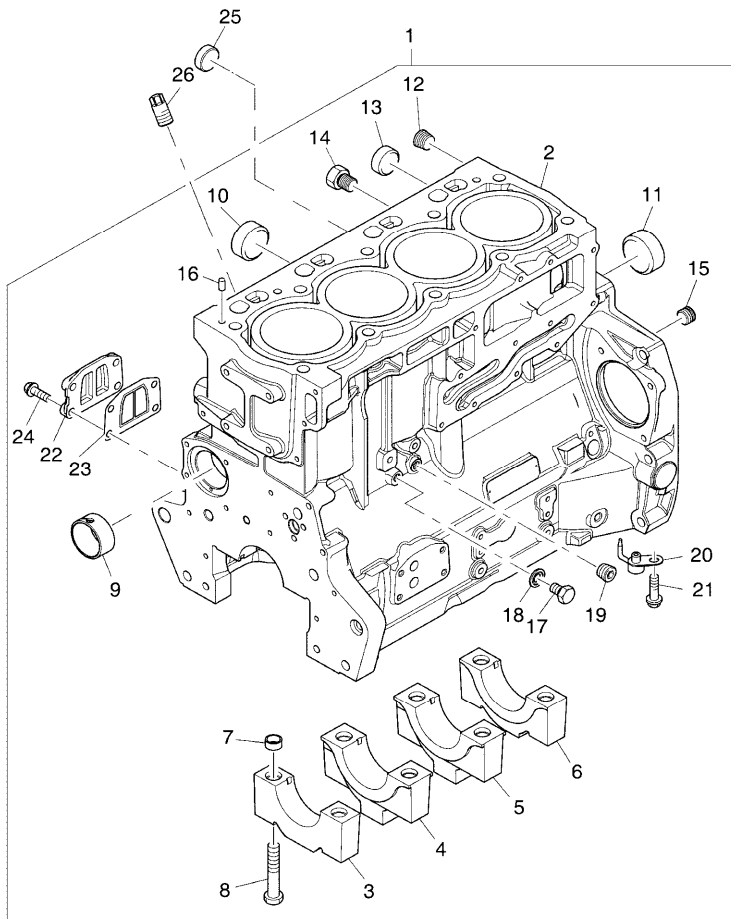
RS24\000015071.png

A-05
03



A0503

Cylinder block



Inglese

- 20 2113A003
 - 21 2314F001
 - 22 3753A071
 - 23 3688A041
 - 24 2314H034
 - 25 2485A108
 - 26 3212V006
- 4 Atomiser
 - 4 Screw
 - 1 Coperch.
 - 1 Ring
 - 4 Screw
 - 1 Plug
 - 1 Plug

- ! This is a component of an assembly
- 👁 See page - reference number
- 🔧 Not serviced, order
- ⬇ Replacement

<https://www.ebooklibonline.com>

Hello dear friend!

Thank you very much for reading.

Enter the link into your browser.

The full manual is available for immediate download.

<https://www.ebooklibonline.com>

Engine

C-MAX RPS Tier 3 (2008-) - RS24 - 80

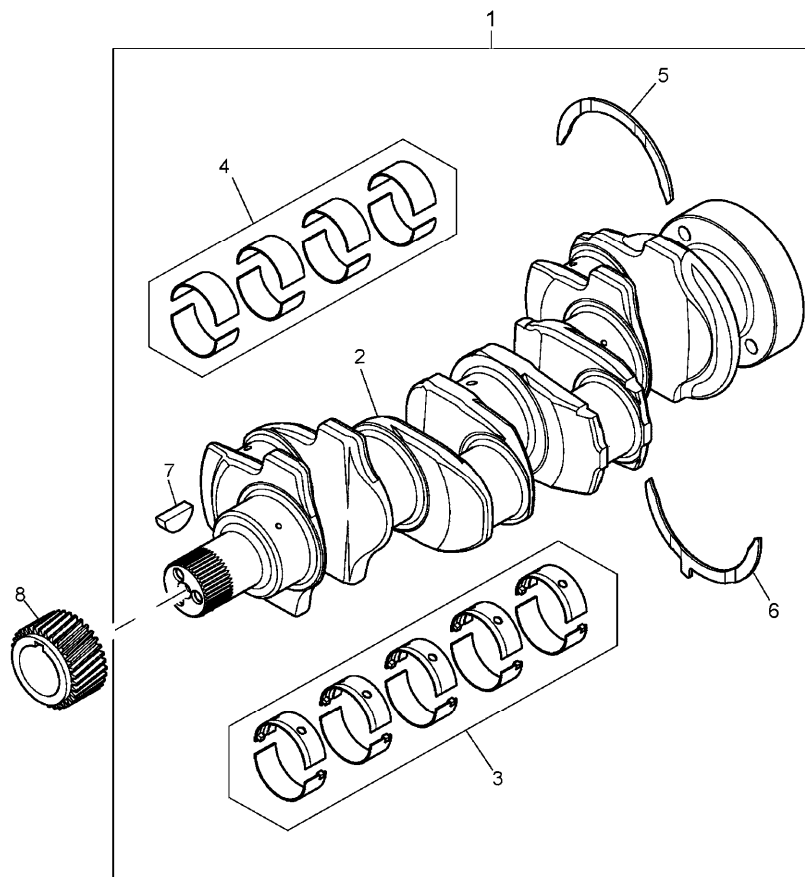
A-05
04



A0504

Camshaft

RS24\000015073.png



		Inglese	
1	ZZ90222	➔ U491476 t	1 Kit
		● ZZ90239(1)	
1	ZZ90237	➔ U491477 t	1 Shaft
2		! 1	1 Shaft
		➔ Ref.n.1	
3	U5MB0018	! 1	1 Kit
		● U5MB0033(1)	
		T-A 15:0	
3	U5MB0018A	! 1	1 Kit
		⚡ 0.010"	
		● U5MB0033A(1)	
		T-A 15:0	
3	U5MB0018B	! 1	1 Kit
		⚡ 0.020"	
		● U5MB0033B(1)	
		T-A 15:0	
3	U5MB0018C	! 1	1 Kit
		⚡ 0.030"	
		● N.L.A.(1)	
		T-A 15:0	
4	T400002	! 1	1 Kit
		➔ U491477 t	
		● T410927(1)	
4	U5ME0026	! 1	1 Kit
		➔ U491476 t	
		● U5ME0034(1)	

Engine

C-MAX RPS Tier 3 (2008-) - RS24 - 80

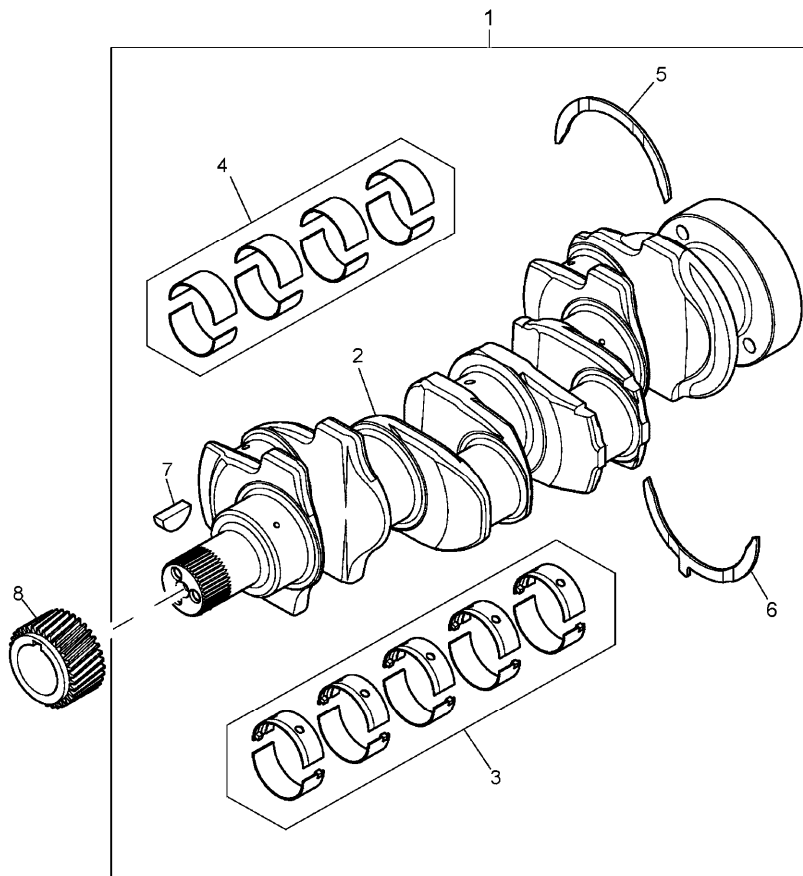
A-05
04



A0504

Camshaft

RS24\000015073.png



Inglese

4	U5ME0026A	!	1	1 Kit
		⚡	0.25mm	
		➔	U491476 t	
		●	U5ME0034A(1)	
4	U5ME0026B	!	1	1 Kit
		⚡	0.50mm	
		➔	U491476 t	
		●	U5ME0034B(1)	
4	U5ME0026C	!	1	1 Kit
		⚡	0.75mm	
		➔	U491476 t	
		●	U5ME0034C(1)	
5	31137312	!	1	2 Ring
		⚡	0.007"	
		T-A	15:0	
5	31137551	!	1	2 Washer
		T-A	15:0	
6	31137322	!	1	2 Ring
		⚡	0.007"	
		T-A	15:0	
6	31137561	!	1	2 Washer
		T-A	15:0	
7	0500012	!	1	1 Key
		T-A	10:0	
8	3117C221	T-A	10:0	1 Gear

! This is a component of an assembly

Engine

C-MAX RPS Tier 3 (2008-) - RS24 - 80

RS24\000015073.png

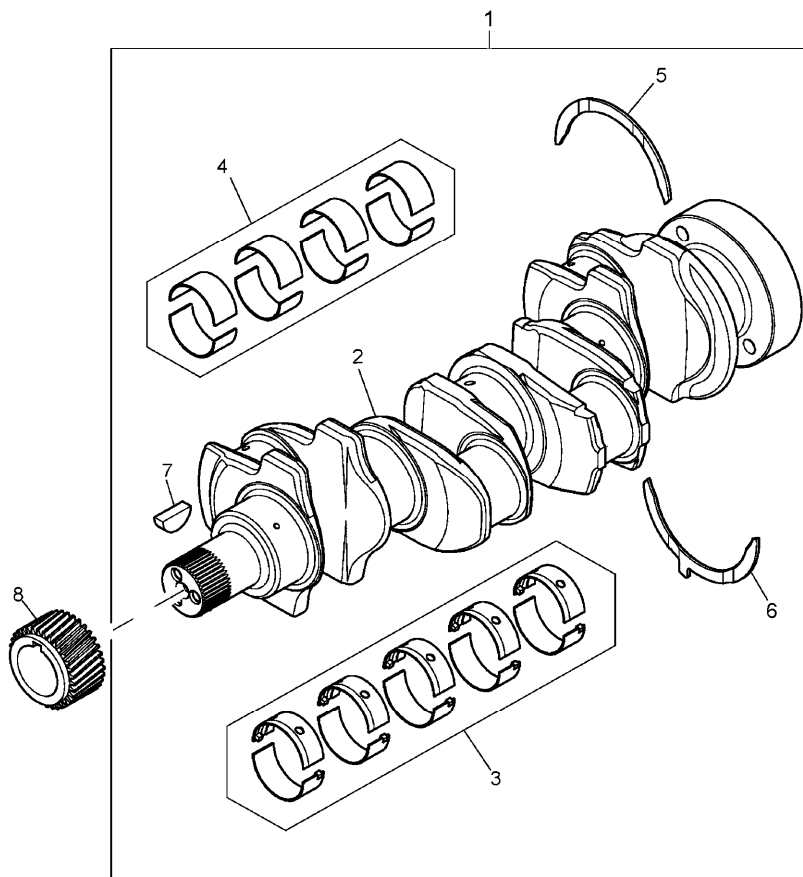
A-05
04



A0504

Camshaft

- From serial or engine number
- Up to serial or engine number
- Not serviced, order
- Shim
- Replacement
- T-A Replacement



Engine

C-MAX RPS Tier 3 (2008-) - RS24 - 80

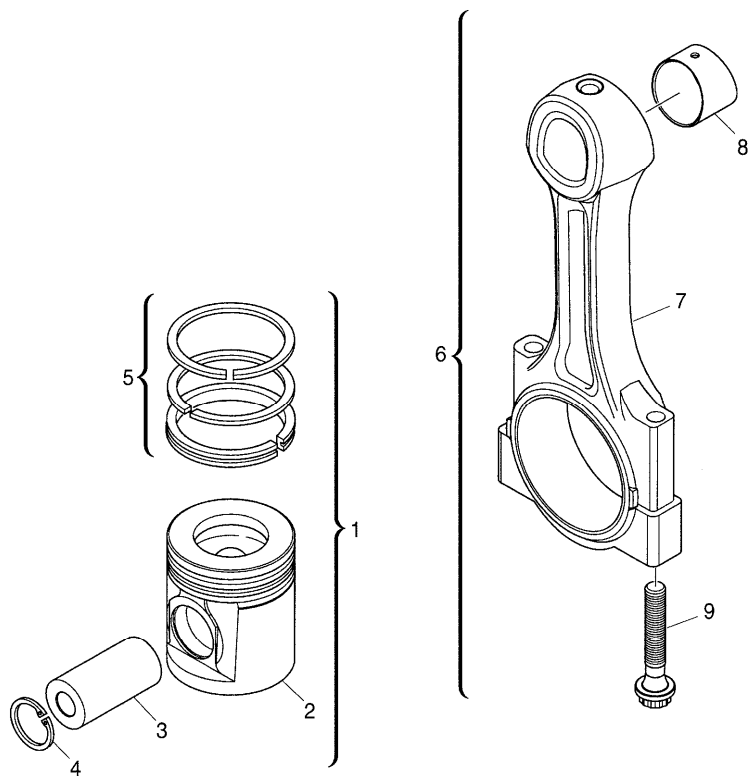
A-05
05



A0505

Pistons and connecting rods

RS24\000020525.png



		Inglese
1	U5PR0063	4 Kit
2	! 1	1 Piston
	➡ Ref.n.1	
3	! 1	1 Pin
	➡ Ref.n.1	
4	2721332 ! 1	2 Ring
5	UPRK0003 ! 1	1 Kit
	(X) 0.2.5.	
	T-A 11:25	
6	4115C311 ➡ U491477 t	4 Kit
	A	
	T-A 14:0	
6	4115C312 ➡ U491477 t	4 Kit
	B	
	T-A 14:0	
6	4115C313 ➡ U491477 t	4 Kit
	C	
	T-A 14:0	
6	4115C314 ➡ U491477 t	4 Kit
	D	
	T-A 14:0	
6	4115C315 ➡ U491477 t	4 Kit
	E	
	T-A 14:0	

Engine

C-MAX RPS Tier 3 (2008-) - RS24 - 80

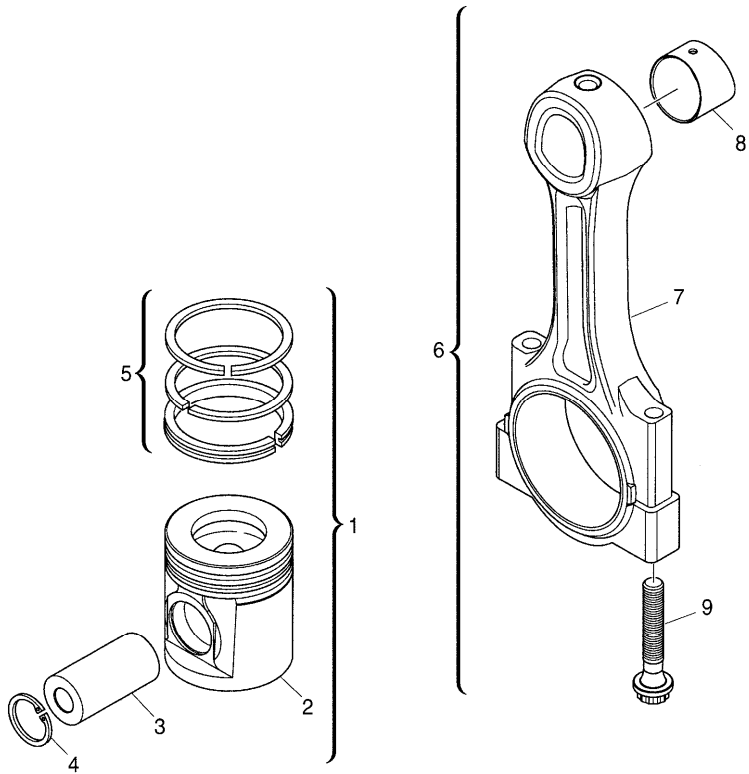
RS24\000020525.png

A-05
05



A0505

Pistons and connecting rods



		Inglese	
6	4115C316	➡ U491477 t F T-A 14:0	4 Kit
6	4115C361	➡ U491478 t A	4 Conrod
6	4115C362	➡ U491478 t B	4 Conrod
6	4115C363	➡ U491478 t C	4 Conrod
6	4115C364	➡ U491478 t D	4 Conrod
6	4115C364	➡ U491478 t F	4 Conrod
6	4115C365	➡ U491478 t E	4 Conrod
7		! 6 ➡ Ref.n.6	1 Conrod
8	3112A005	! 6 T-A 14:0	1 Bush
9	3212V003	! 6	2 Screw

! This is a component of an assembly

➡ From serial or engine number

➡ Up to serial or engine number

➡ Not serviced, order

(X) Qty per tractors sold (aa.bbb.ccc.ddd) (aa) for 1,(bbb) 2-10 (ccc) 11-25 (ddd) 26-50

T-A Replacement

A Red

Engine

C-MAX RPS Tier 3 (2008-) - RS24 - 80

RS24\000020525.png

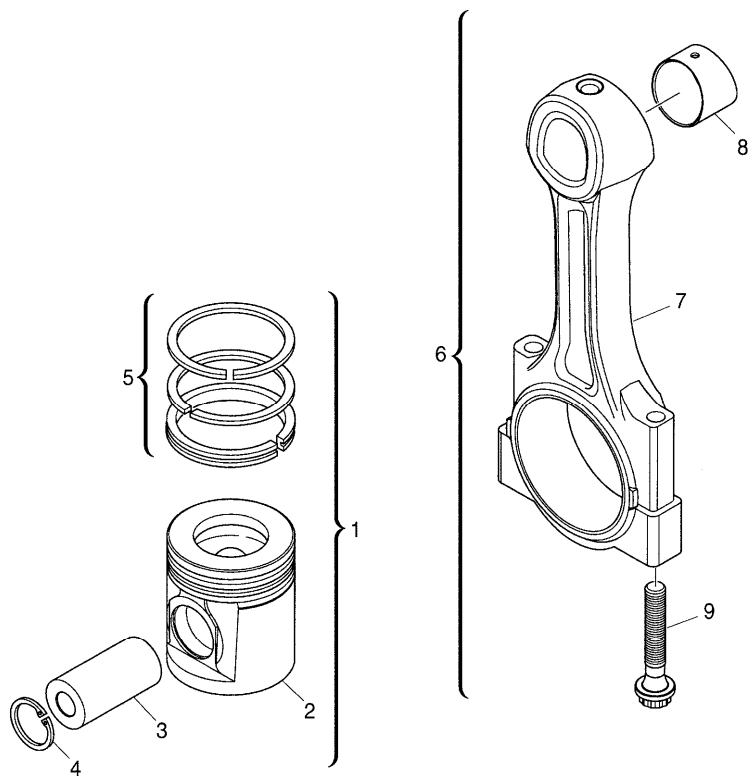
A-05
05



A0505

Pistons and connecting rods

- B Orange
- C White
- D Green
- E Purple
- F Blue



Engine

C-MAX RPS Tier 3 (2008-) - RS24 - 80

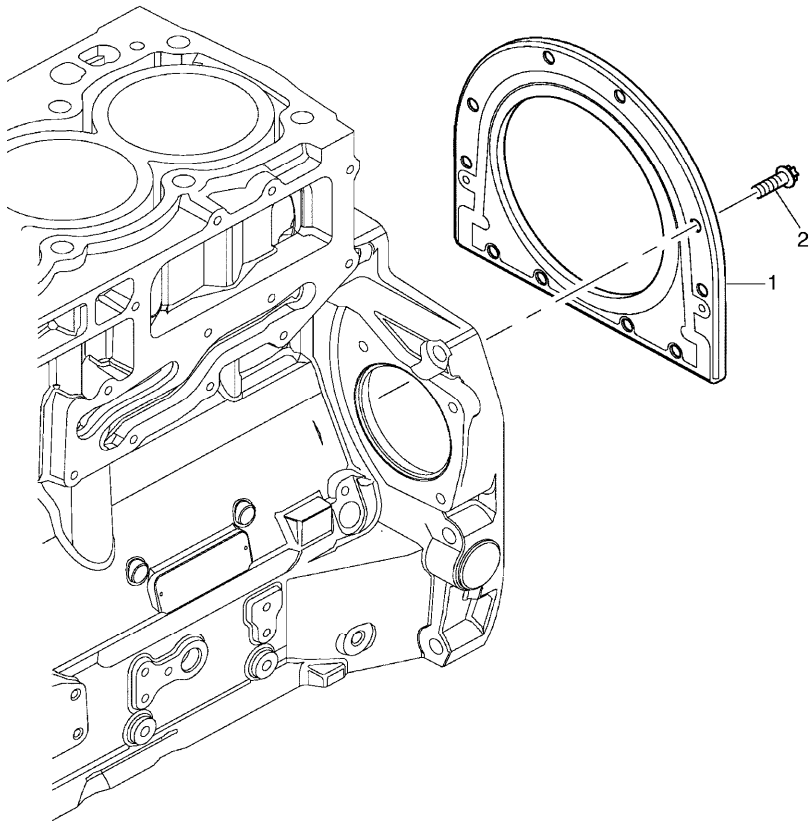
RS24\000015074.png

A-05
06



A0506

End cover



1 2418F704 T-A 9:0

2 3211C002

T-A Replacement

Inglese

1 Housing

6 Screw

Engine

C-MAX RPS Tier 3 (2008-) - RS24 - 80

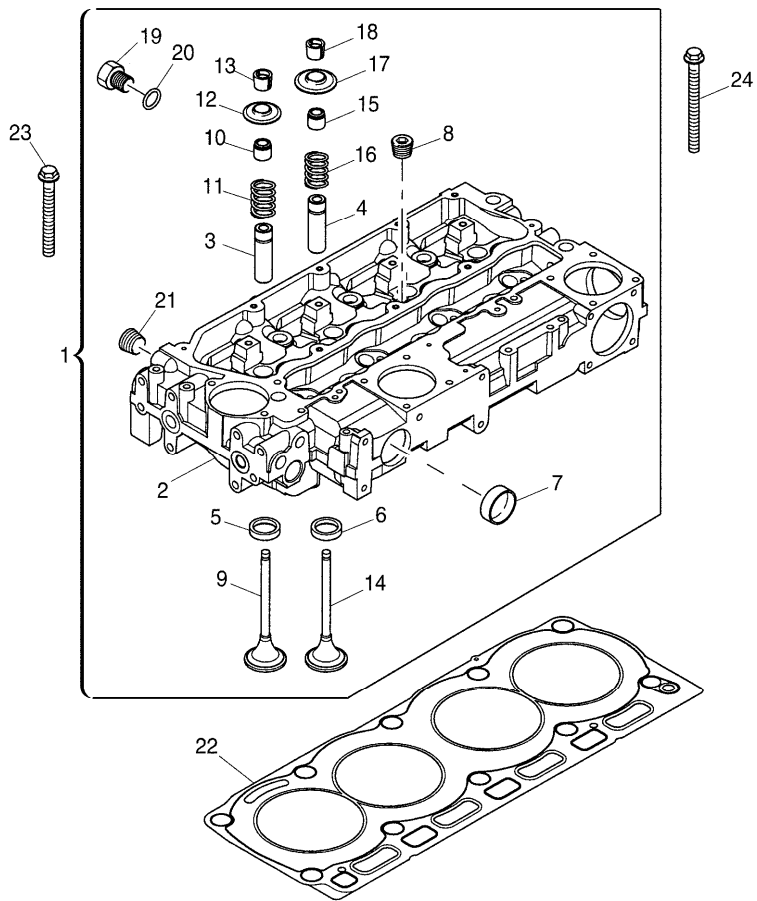
RS24\000020527.png

**A-05
07**



A0507

Cylinder head



		Inglese
1		1 Cylinder head
2	! 1	1 Head
	➡ Ref.n.1	
3	3313E021 ! 1	4 Guide
	● 3313A012(4)	
	T-A 7:50	
4	3313E021 ! 1	4 Guide
	● 3313A012(4)	
	T-A 7:50	
5	3314A221 ! 1	4 Insert
6	3314A231 ! 1	4 Insert
7	32416117 ! 1	2 Plug
8	0650588 ! 1	4 Plug
9	3142H101 ! 1	4 Valve
10	2418M519 ! 1	4 Ring
	A	
11	3174A031 ! 1	4 Spring
	● T417479(4)	
12	3342A021 ! 1	4 Coperch.
13	2714A002 ! 1	8 Collar
14	3142A171 ! 1	4 Valve
15	2418M517 ! 1	4 Ring
	B	
16	3174A031 ! 1	4 Spring
	● T417479(4)	

Engine

C-MAX RPS Tier 3 (2008-) - RS24 - 80

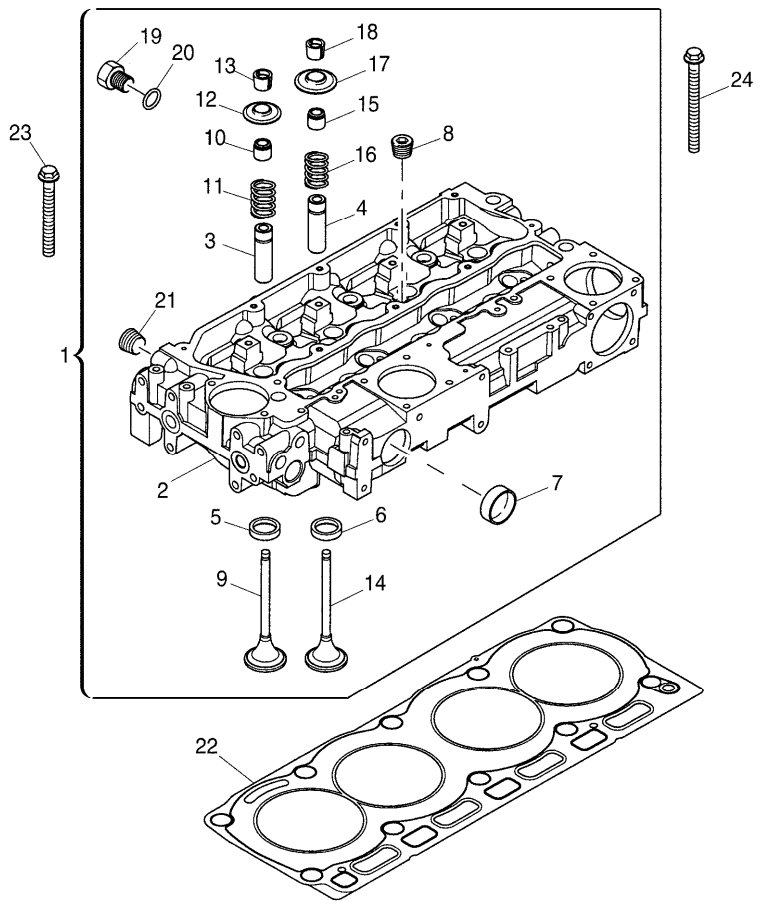
A-05
07



A0507

Cylinder head

RS24\000020527.png



- 17 3342A021 ! 1
- 18 2714A002 ! 1
- 19 3278A006 ! 1
- 20 2415H003 ! 1
- 21 2431154 ! 1
- 22 3681E051
- 23 3218A011
- 24 3218A012

Inglese

- 4 Coperch.
- 8 Collar
- 1 Plug
- 1 Ring
- 2 Plug
- 1 Gasket
- 7 Screw
- 3 Screw

- ! This is a component of an assembly
- Not serviced, order
- Replacement
- T-A Replacement
- A Green
- B Brown

Engine

C-MAX RPS Tier 3 (2008-) - RS24 - 80

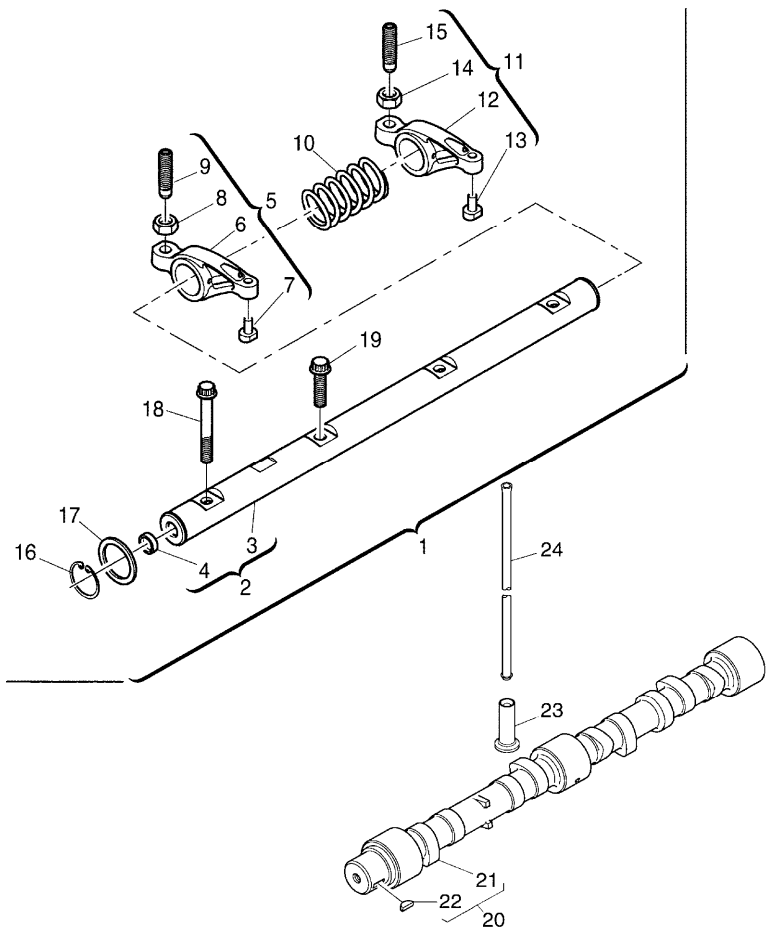
RS24\000015075.png

A-05
08



A0508

Rocker shaft



		Inglese	
1	4115R613		1 Axle
2	4115R703	! 1	1 Shaft
		T-A 4:0	
3		! 2	1 Shaft
		➡ Ref.n.2	
4	2485A104	! 2	2 Plug
5	4115R319	! 1	4 Lever
6		! 5	1 Rocker
		➡ Ref.n.5	
7		! 5	1 Pad
		➡ Ref.n.5	
8	3331A006	! 5	1 Nut
9	3211C004	! 5	1 Screw
10	3174A015	! 1	3 Spring
		T-A 4:0	
11	4115R318	! 1	4 Lever
12		! 11	1 Rocker
		➡ Ref.n.11	
13		! 11	1 Pad
		➡ Ref.n.11	
14	0576052	! 11	1 Nut
14	3331A006	! 11	1 Nut
15	32114145	! 11	1 Screw
		T-A 1:25	
15	3211C004	! 11	1 Screw

Engine

C-MAX RPS Tier 3 (2008-) - RS24 - 80

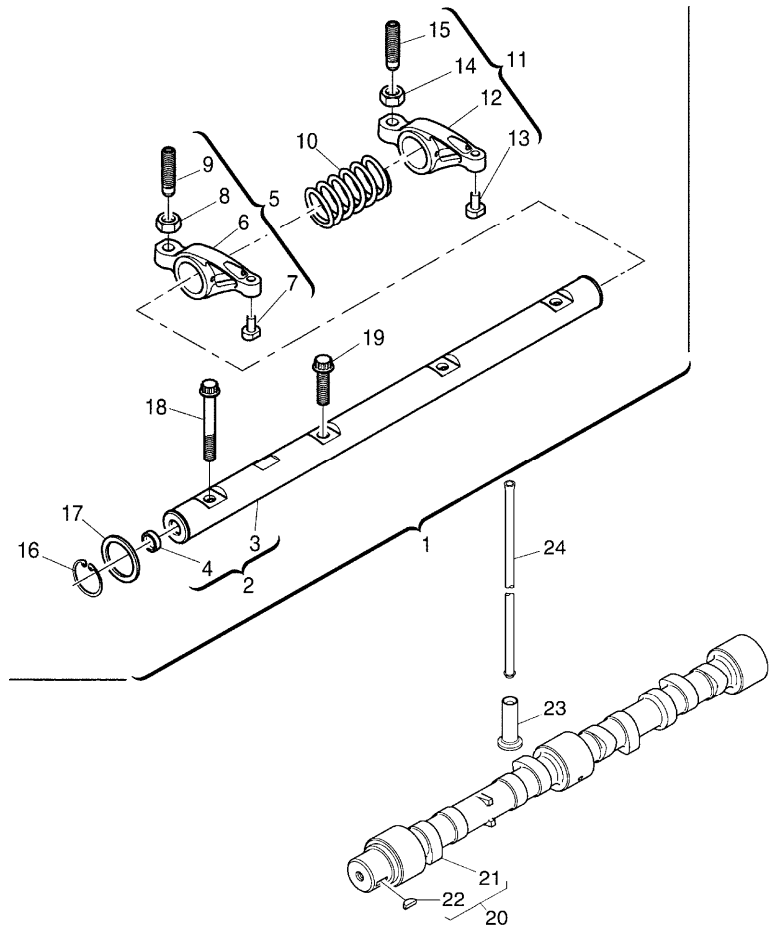
RS24\000015075.png

**A-05
08**



A0508

Rocker shaft



16	2722A022	!	1
17	2134A502	!	1
18	2316A901	!	1
19	2316A902	!	1
20	4112K031		1
21		!	20
		➡	Ref.n.20
22	0500012	!	20
23	3142U061		1
24	3142V011		8

Inglese

2	Ring
2	Washer
1	Screw
3	Screw
1	Shaft
1	Shaft
1	Key
8	Tappet
8	Rod

! This is a component of an assembly
 ➡ Not serviced, order
 T-A Replacement

Engine

C-MAX RPS Tier 3 (2008-) - RS24 - 80

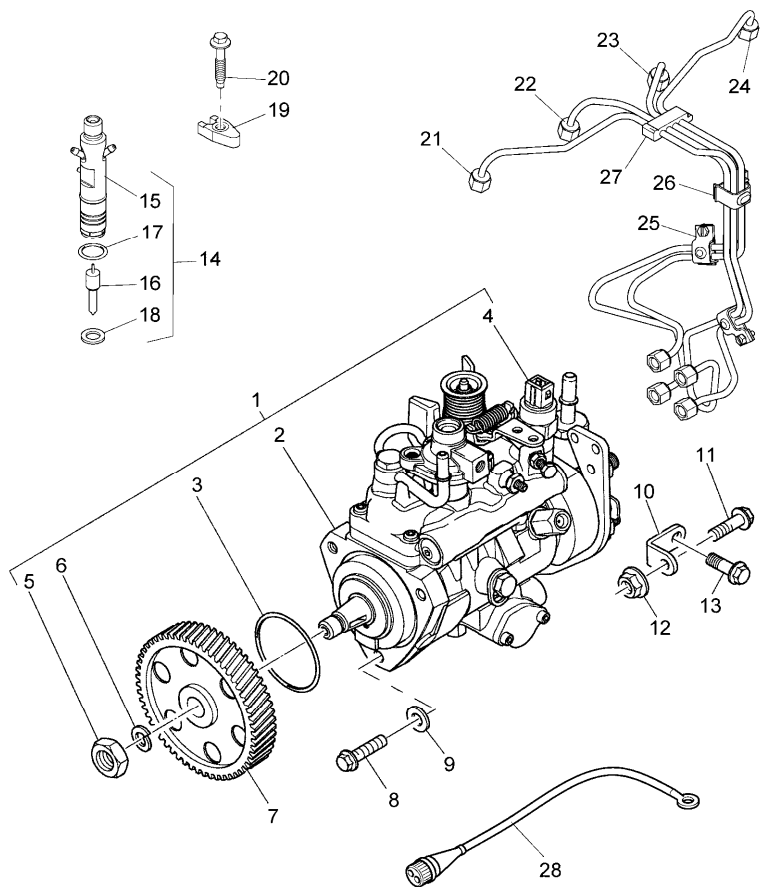
A-05
09



A0509

Fuel injection equipment (diesel)

RS24\000015076.png



Inglese

- 23 3525A103 1 Pipe
- 24 3525A104 1 Pipe
- 25 2481Y011 2 Clip
- 26 2481Y012 1 Clip
- 27 2646E019 1 Clip
- 28 3673286M91 "bosch" 1 Harness
- ! This is a component of an assembly
- Not serviced, order

Engine

C-MAX RPS Tier 3 (2008-) - RS24 - 80

RS24\000020530.png

A-05
10

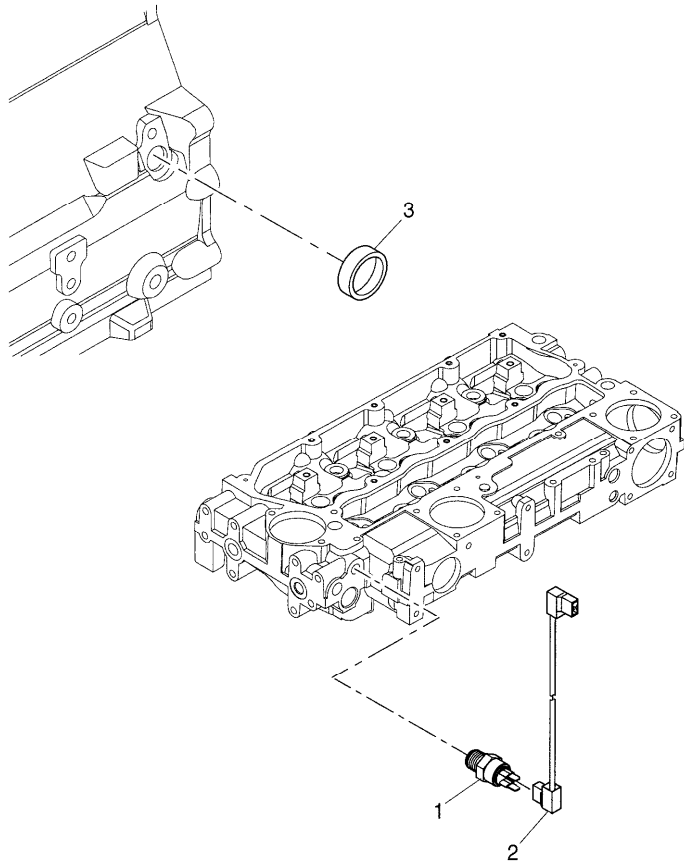


A0510

Sensor pickup

Inglese

- 1 2848A127 T-A 0:50
 - 2 3161C017
 - 3 2485A109
- T-A Replacement
- 1 Sensor
 - 1 Cable
 - 1 Plug



Engine

C-MAX RPS Tier 3 (2008-) - RS24 - 80

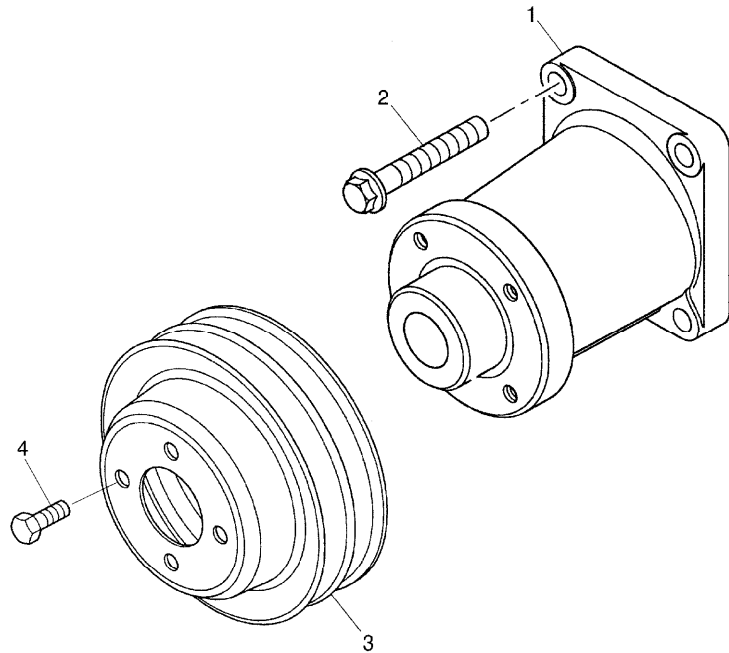
RS24\000015079.png

A-05
11



A0511

Fan-type pulley



- 1 4113K005 T-A 1:75
 - 2 2314J005
 - 3 3115C113
 - 4 2314C044
- T-A Replacement

Inglese

- 1 Housing
- 4 Screw
- 1 Pulley
- 4 Screw

Engine

C-MAX RPS Tier 3 (2008-) - RS24 - 80

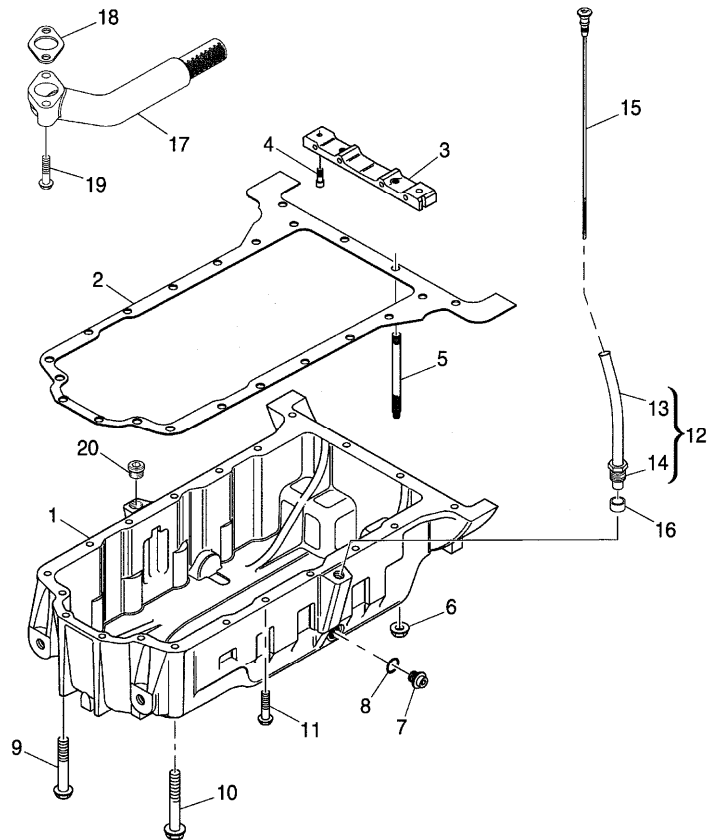
RS24\000014129.png

A-05
12



A0512

Lubricating oil sump



1	3717E271		
2	3681K036	(X)	1.2.5.
		T-A	1:50
3	3627P041	T-A	1:50
4	2311D039		
5	3211P013		
6	2318A603		
7	32186405	T-A	0:25
8	2415715	T-A	0:25
9	2314H023		
10	2314H022	●	2314H052(1)
11	2314H015		
12	3577A125	T-A	0:25
13		!	12
		▶	Ref.n.12
14	3353D005	!	12
15	3178C081	T-A	0:25
16	33812116		
17	3765A091	T-A	1:75
18	36832137	T-A	1:75
19	2314H006		
20	2431A016		

Inglese

1	Crankcase
1	Gasket
1	Crosspiece
2	Screw
2	Stud
2	Nut
2	Plug
2	Ring
5	Screw
1	Screw
12	Screw
1	Pipe
1	Pipe
1	Nut
1	Rod
1	Olive
1	Pipe
1	Gasket
2	Screw
1	Plug

- ! This is a component of an assembly
- ▶ Not serviced, order
- Replacement

Engine

C-MAX RPS Tier 3 (2008-) - RS24 - 80

A-05
12

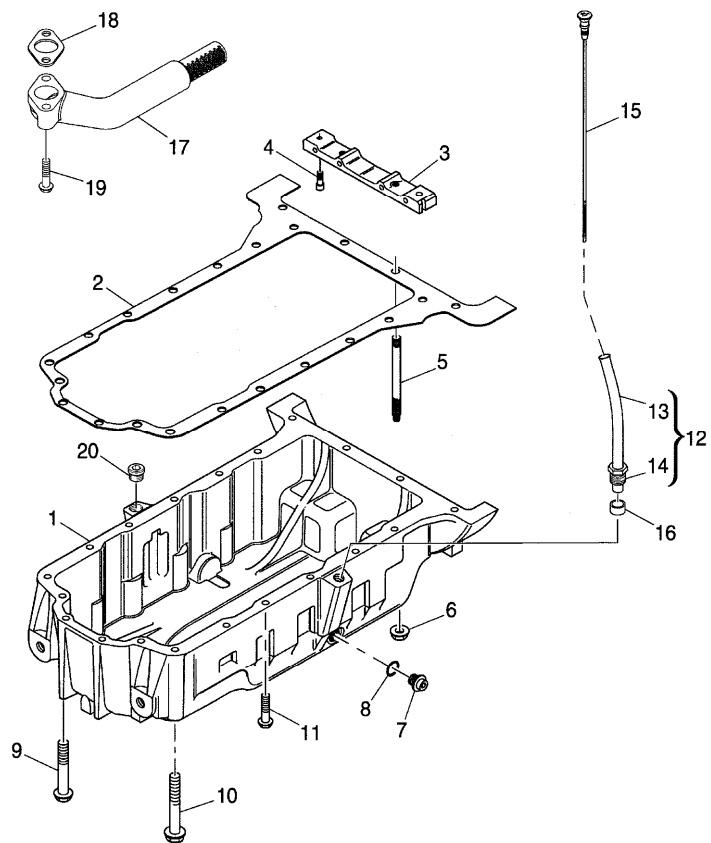


A0512

Lubricating oil sump

RS24\000014129.png

(X) Qty per tractors sold (aa.bbb.ccc.ddd) (aa) for 1,(bbb) 2-10 (ccc) 11-25 (ddd) 26-50
T-A Replacement



Engine

C-MAX RPS Tier 3 (2008-) - RS24 - 80

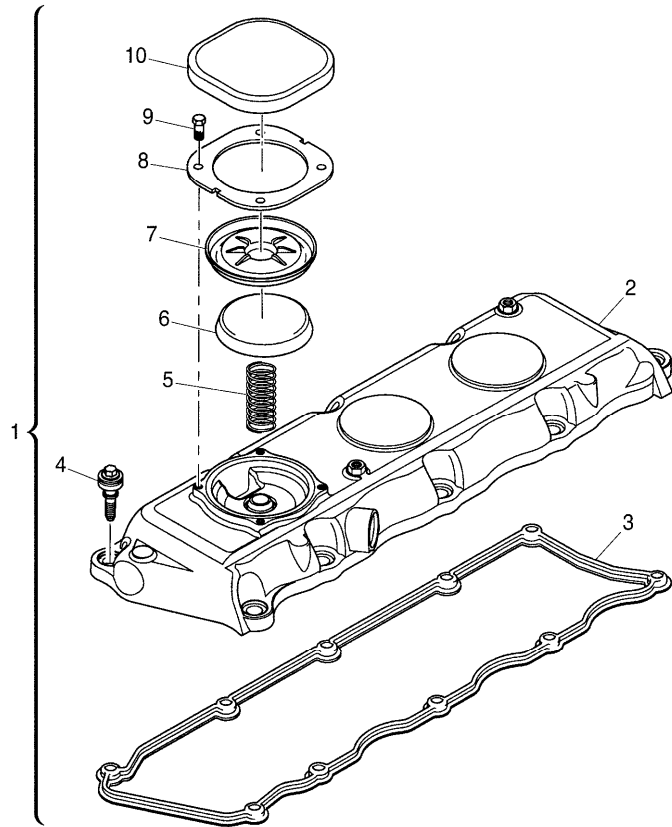
RS24\000020533.png

A-05
13



A0513

Cylinder head cover



		Inglese	
1	4142X325	● T417478(1)	1 Coperch.
2		! 1	1 Cover
3	3681A055	▣ Ref.n.1	1 Gasket
		(X) 1.2.5.	
		T-A 1:0	
4		! 1	10 Screw
		▣ Ref. n.1	
5	3174A017	! 1	1 Spring
		T-A 0:25	
6	3788A002	! 1	1 Cap
		T-A 0:25	
7	3789A001	! 1	1 Diaphragm
		T-A 0:25	
8	3615A009	! 1	1 Plate
		T-A 0:25	
9	2151A001	! 1	4 Screw
10	3788A003	! 1	1 Cap
		T-A 0:25	
	!	This is a component of an assembly	
	▣	Not serviced, order	
	●	Replacement	
	(X)	Qty per tractors sold (aa.bbb.ccc.ddd) (aa) for 1,(bbb) 2-10 (ccc) 11-25 (ddd) 26-50	
	T-A	Replacement	

Engine

C-MAX RPS Tier 3 (2008-) - RS24 - 80

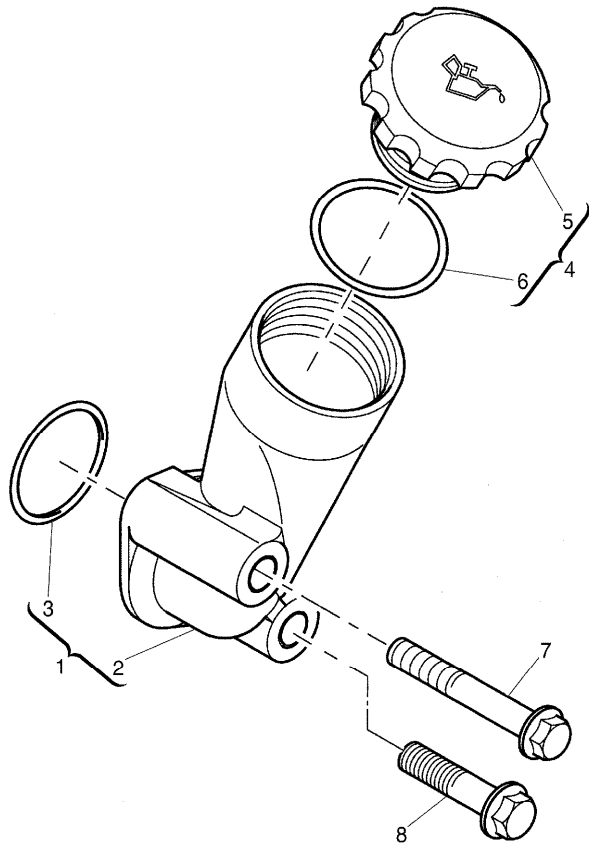
RS24\000020589.png

A-05
14



A0514

Filler



		Inglese	
1	4134C019	● N.L.S.(1) T-A 0:25	1 Filler
2		! 1 ➡ Ref.n.1	1 Body
3	2415B121	! 1 T-A 0:25	1 O ring
4	4142X098	! 1 (X) 1.3.5.1 T-A 0:25	1 Plug
5		! 4 ➡ Ref.n.4	1 Plug
6	2415633	! 4 T-A 0:25	1 O ring
7	2314K161		1 Screw
8	2314H008		1 Screw
		! This is a component of an assembly	
		➡ Not serviced, order	
		● Replacement	
		(X) Qty per tractors sold (aa.bbb.ccc.ddd) (aa) for 1,(bbb) 2-10 (ccc) 11-25 (ddd) 26-50	
		T-A Replacement	

Engine

C-MAX RPS Tier 3 (2008-) - RS24 - 80

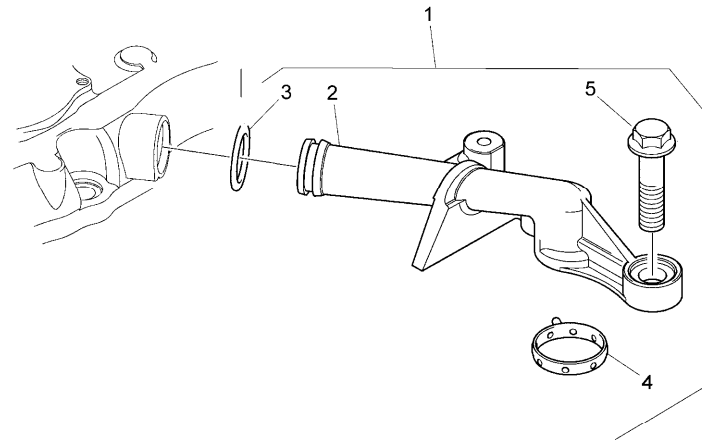
RS24\000015080.png

A-05
15



A0515

Breather



1 4134K021

2 ! 1

➡ Ref.n.1

3 2415A068 ! 1

4 2415H701 ! 1

5 2314F005

! This is a component of an assembly

➡ Not serviced, order

Inglese

1 Pipe

1 Pipe

1 Ring

1 Ring

2 Screw

Engine

C-MAX RPS Tier 3 (2008-) - RS24 - 80

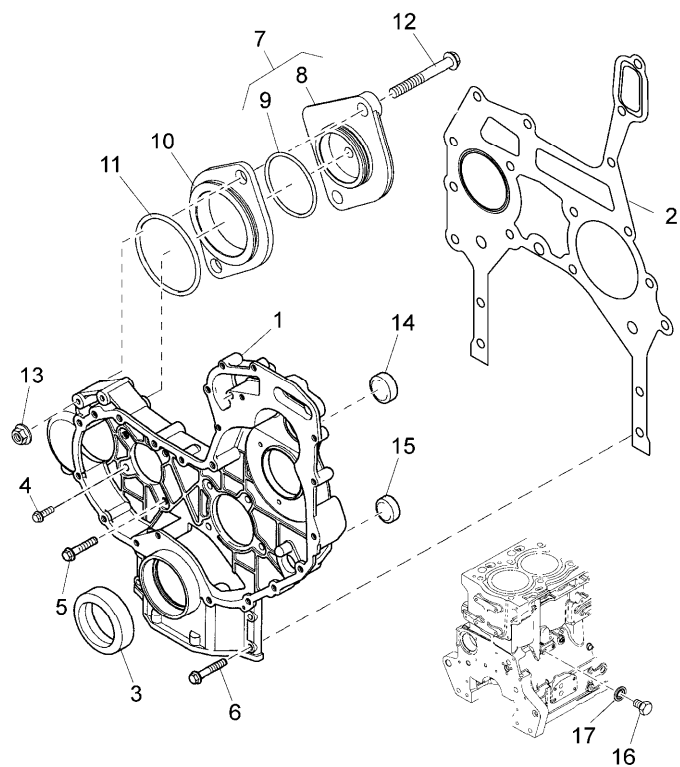
**A-05
16**



A0516

Gasket sets

RS24\000015081.png



		Inglese
1	3716C581	1 Housing
2	3681P053	1 Gasket
3	2418F437	1 Seal
4	2314H003	6 Screw
5	2314H006	2 Screw
6	2314H034	4 Screw
7	4148K012	1 Plate
8	! 7	1 Plate
	➡ Ref.n.7	
9	2415H515	1 Ring
10	3617A021	1 Disc
11	2415H516	1 O ring
12	2314J014	2 Screw
13	2318A604	2 Nut
14	2485A124	1 Plug
15	2485A124	1 Plug
16	2314C049	1 Screw
17	2415D053	1 Washer
!	This is a component of an assembly	
➡	Not serviced, order	
T-A	Replacement	

Engine

C-MAX RPS Tier 3 (2008-) - RS24 - 80

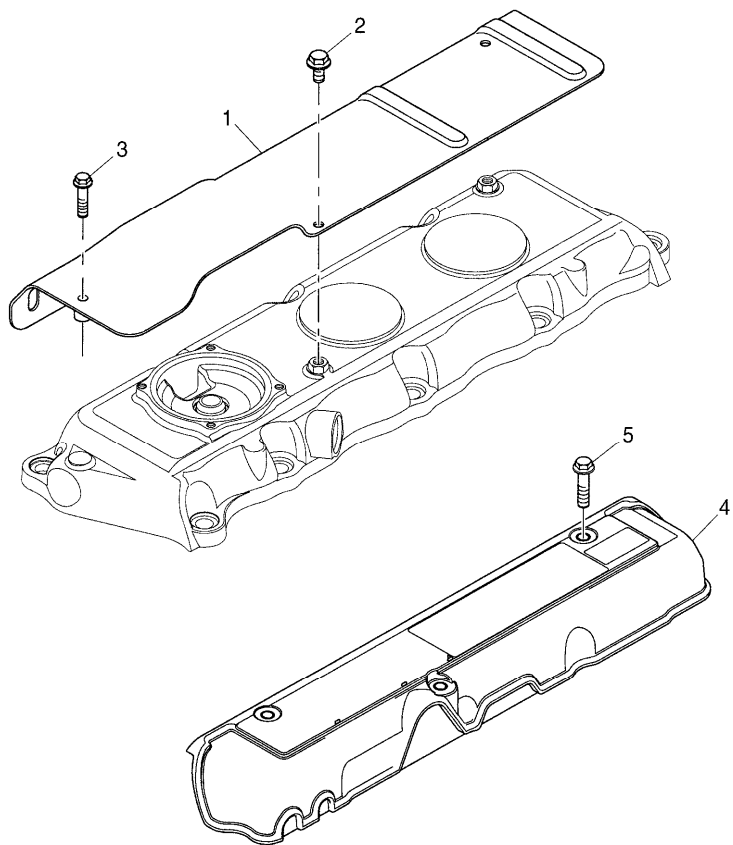
RS24\000020537.png

A-05
17



A0517

Cylinder head cover



- 1 3812A026 T-A 0:25
 - 2 2314F001
 - 3 2314F006
 - 4 3788N003
 - 5 2314F003
- T-A Replacement

Inglese

- 1 Heatshield
- 2 Screw
- 1 Screw
- 1 Cover
- 3 Screw

Engine

C-MAX RPS Tier 3 (2008-) - RS24 - 80

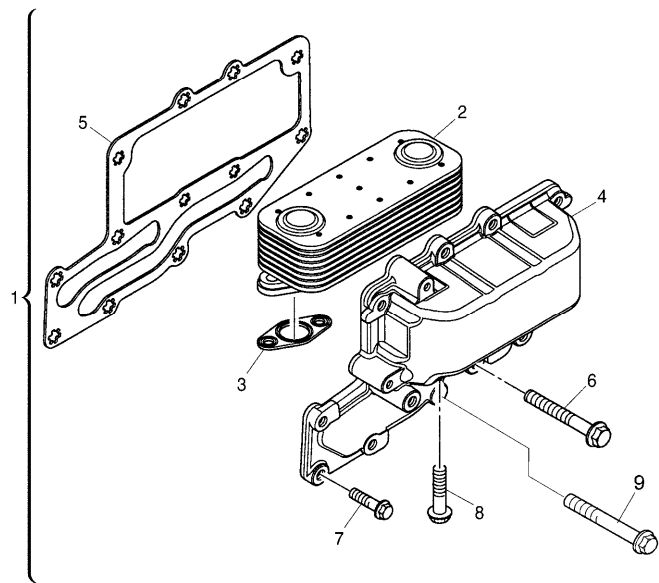
RS24\000015031.png

A-05
18



A0518

Oil radiator



		Inglese	
1	4134W023	● 4134W027(1)	1 Radiator
2	2486A215	! 1	1 Radiator
		T-A 1:0	
3	3685A025	! 1	1 Ring
		T-A 1:0	
4		! 1	1 Cooler
		➡ Ref.n.1	
5	3685A033	! 1	1 Gasket
6	2314K161	! 1	3 Screw
7	2314H004	! 1	8 Screw
8	2314H006	! 1	4 Screw
9	2311D060	! 1	2 Screw

- ! This is a component of an assembly
- ➡ Not serviced, order
- Replacement
- T-A Replacement



Suggest:

For more complete manuals. Please go to the home page.

<https://www.ebooklibonline.com>

If the above button click is invalid. Please download this document first, and then click the above link to download the complete manual.

Thank you so much for reading

Engine

C-MAX RPS Tier 3 (2008-) - RS24 - 80

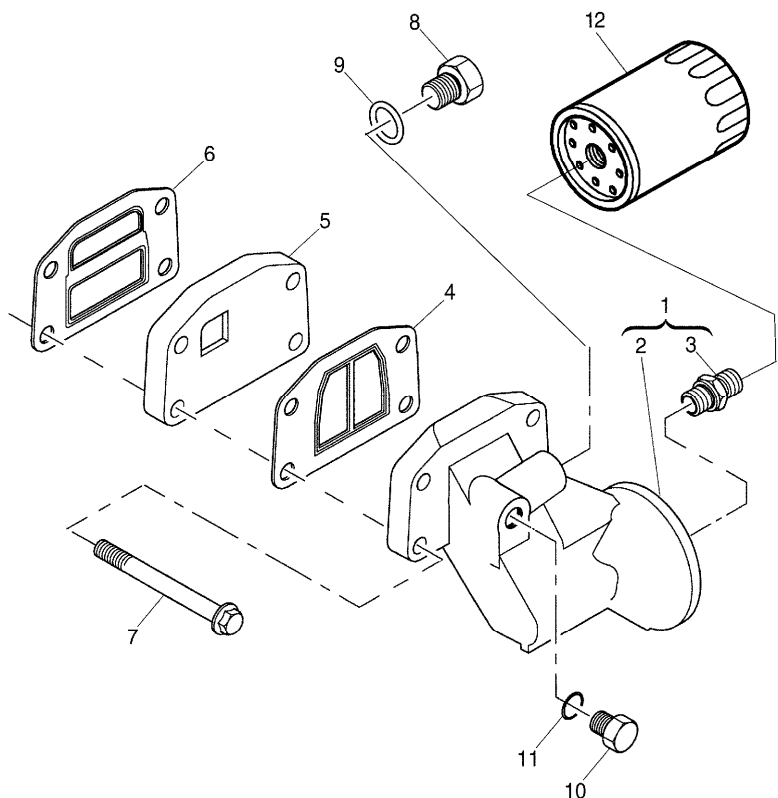
RS24\000020539.png

**A-05
19**



A0519

Lubricating oil filter



		Inglese
1	3773A071	1 Head
2	! 1	1 Head
	➤ Ref.n.1	
3	! 1	1 Union
	➤ Ref. n.1	
4	3688A041 (X) 1.2.5. T-A 0:50	1 Ring
5	3773A081 T-A 0:50	1 Adaptor
6	3688A039 (X) 1.2.5. T-A 0:50	1 Gasket
7	2314H038	4 Screw
8	3278A004	1 Plug
9	2415H002	1 Ring
10	3278A007	1 Plug
11	2415H009	1 O ring
12	⦿ A-05 20 04	1 Filter
!	This is a component of an assembly	
⦿	See page - reference number	
➤	Not serviced, order	
(X)	Qty per tractors sold (aa.bbb.ccc.ddd) (aa) for 1,(bbb) 2-10 (ccc) 11-25 (ddd) 26-50	
T-A	Replacement	

Engine

C-MAX RPS Tier 3 (2008-) - RS24 - 80

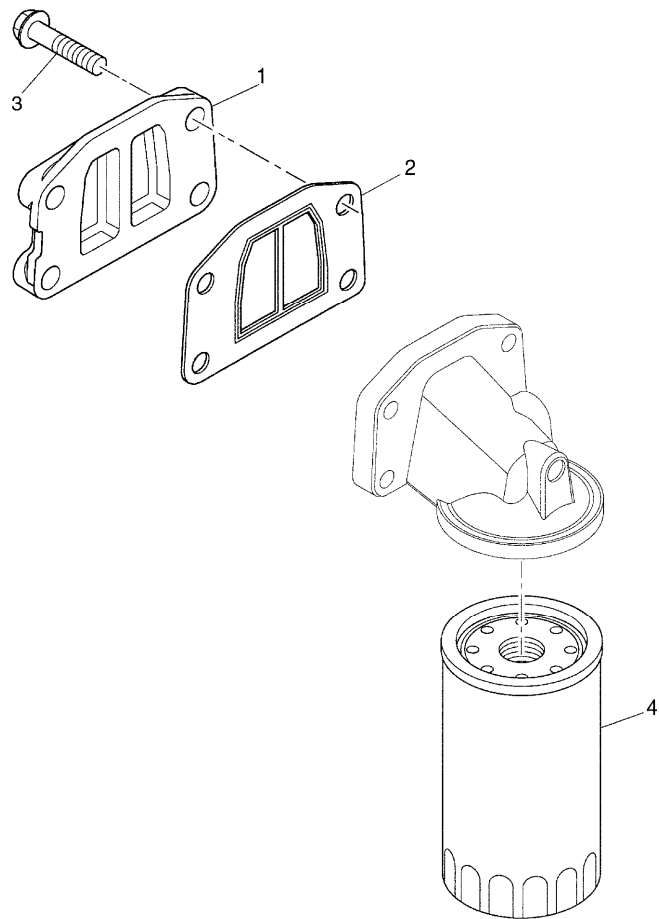
RS24\000015082.png

A-05
20



A0520

Closing plate



Inglese

- | | | | | | |
|---|----------|-----|----------|---|----------|
| 1 | 3753A071 | | | 1 | Coperch. |
| 2 | 3688A041 | (X) | 1.2.5. | 1 | Ring |
| | | | T-A 0:50 | | |
| 3 | 2314H034 | | | 4 | Screw |
| 4 | 701899A1 | (X) | 1.2.5. | 1 | Filter |
| | | | T-A 0:25 | | |
- (X) Qty per tractors sold (aa.bbb.ccc.ddd) (aa) for 1,(bbb) 2-10 (ccc) 11-25 (ddd) 26-50
T-A Replacement

<https://www.ebooklibonline.com>

Hello dear friend!

Thank you very much for reading.

Enter the link into your browser.

The full manual is available for immediate download.

<https://www.ebooklibonline.com>