

Engine

C-L mondial Tier 2 (2007-) - RT30 - C 85 L

A-05
01



A0501

Engine assembly

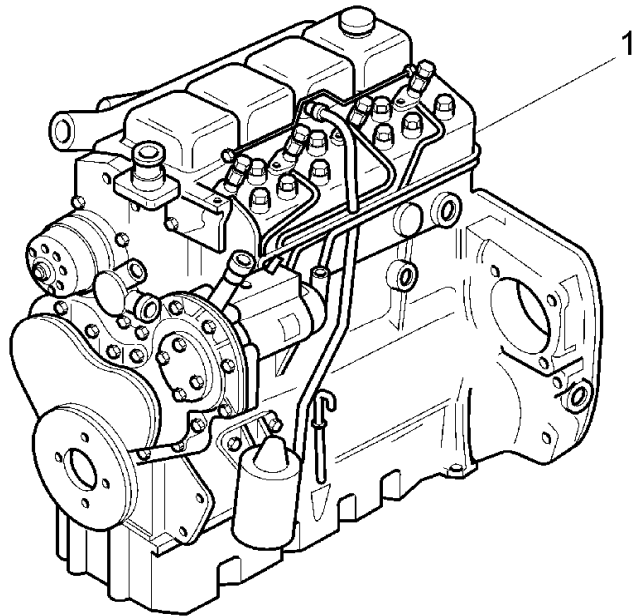
RT30\00010996.png

Inglese

1 4221941M91

Perkins re75343
60 kw

1 Engine



Engine

C-L mondial Tier 2 (2007-) - RT30 - C 85 L

RT30\00002787.png

**A-05
011**



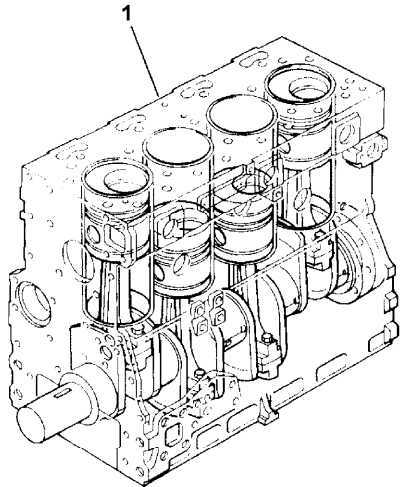
A05011

Short engine

Inglese

- | | | | | | |
|---|---------|---|----------------------------------|---|--------------|
| 1 | RE40002 | ➔ | U491476 t | 1 | Engine |
| | | ● | 3115A141(1),
32186146(3), RE4 | | |
| 1 | RE40021 | ➔ | U491477 t | 1 | Short engine |

- ➔ From serial or engine number
- ➔ Up to serial or engine number
- Replacement



Engine

C-L mondial Tier 2 (2007-) - RT30 - C 85 L

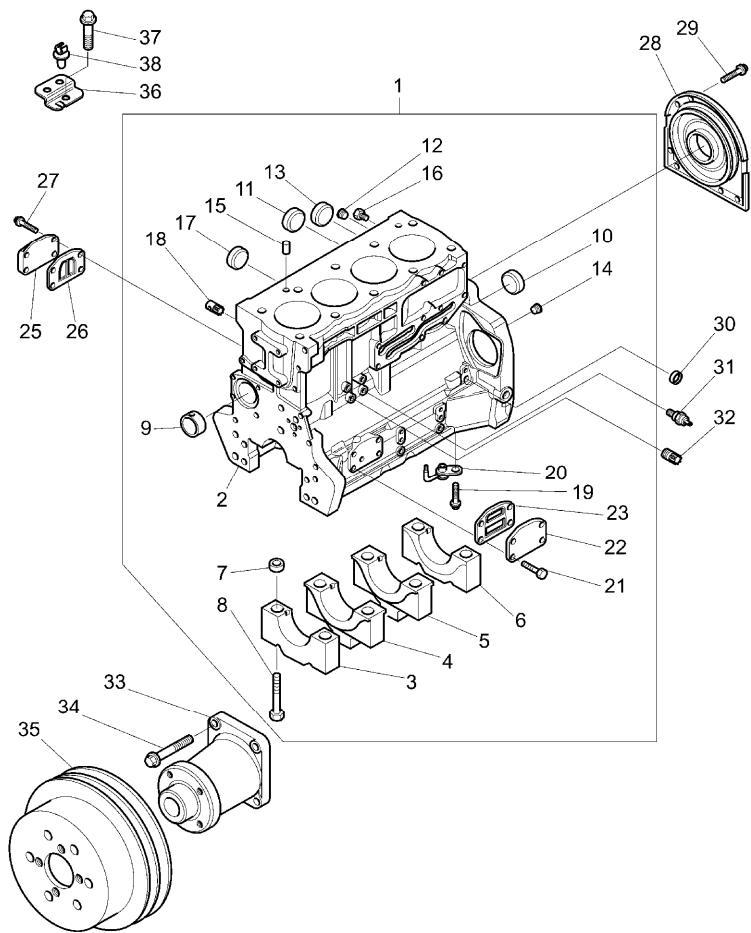
A-05
02



A0502

Cylinder block

RT30\00010995.png



		Inglese
1	ZZ50312	● ZZ50325(1) 1 Kit
		T-A 30:50
2		! 1 1 Cylinder
		➤ Ref.n.1
3		! 1 1 Bearing
		➤ Ref.n.1
4		! 1 1 Bearing
		➤ Ref.n.1
5		! 1 1 Bearing
		➤ Ref.n.1
6		! 1 1 Bearing
		➤ Ref.n.1
7	33142111	! 1 10 Manicott
8	32166329	! 1 10 Screw
9	3112D071	! 1 1 Bush
		● 3112D075(1)
10	3241A012	! 1 1 Plug
11	3241A011	! 1 2 Plug
12	0650588	! 1 1 Plug
13	0650710	! 1 1 Plug
14	3212P008	! 1 1 Plug
15	3244A009	! 1 2 Dowel
16	32141316	! 1 2 Plug
17	2485A108	! 1 1 Plug
18	3212V006	! 1 1 Plug

<https://www.ebooklibonline.com>

Hello dear friend!

Thank you very much for reading.

Enter the link into your browser.

The full manual is available for immediate download.

<https://www.ebooklibonline.com>

Engine

C-L mondial Tier 2 (2007-) - RT30 - C 85 L

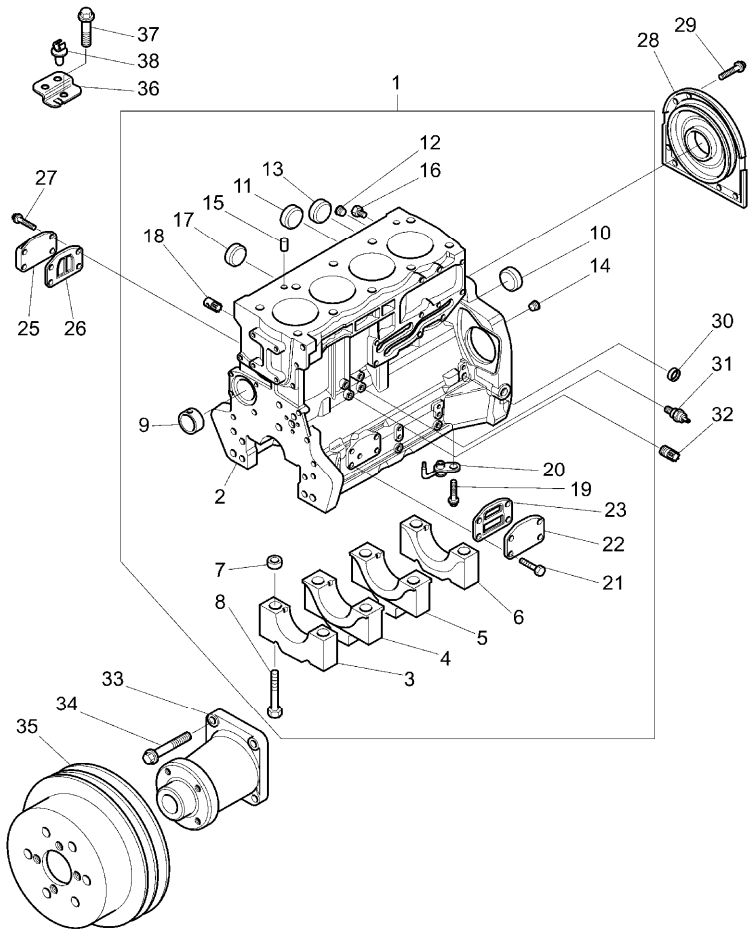
RT30\00010995.png

A-05
02



A0502

Cylinder block



		Inglese		
19	2314F001	!	1	4 Screw
20	2113A003	!	1	4 Atomiser
21	2314H033	!	1	4 Screw
22	3623A009	!	1	1 Plate
		T-A	0:50	
23	3688A039	!	1	1 Gasket
		T-A	0:50	
25	3753A071			1 Coperch.
26	3688A041	T-A	0:50	1 Ring
27	2314H034			4 Screw
28	2418F704	(X)	0.1.3.	1 Housing
		T-A	11:0	
29	3211C002			10 Screw
30	2485A109			1 Plug
31	4216292M91	A		1 Cutout
32	3212V005			1 Plug
33	4113K005	T-A	2:0	1 Housing
34	2314J005			4 Screw
35	3115C161			1 Pulley
36	3653A017			1 Stirrup
37	2314H002			1 Screw
38	2481D556	●	2481D558(1)	1 Clip
!	This is a component of an assembly			
🔧	Not serviced, order			
●	Replacement			
(X)	Qty per tractors sold (aa.bbb.ccc.ddd) (aa) for 1,(bbb) 2-10 (ccc) 11-25 (ddd) 26-50			

Engine

C-L mondial Tier 2 (2007-) - RT30 - C 85 L

A-05
02



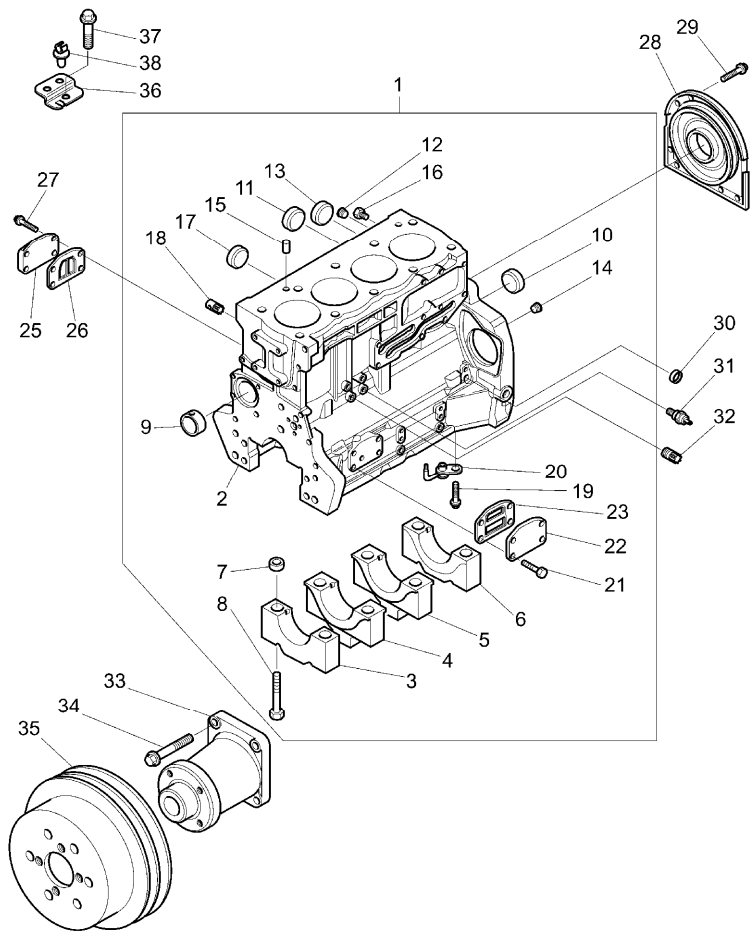
A0502

Cylinder block

RT30\00010995.png

T-A Replacement

A Oil pressure



Engine

C-L mondial Tier 2 (2007-) - RT30 - C 85 L

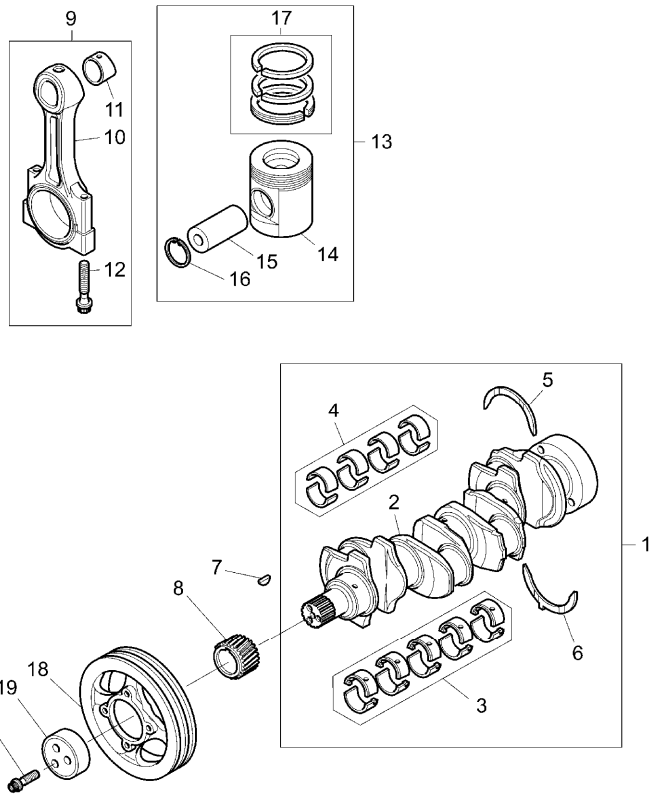
RT30\00010997.png

A-05
03



A0503

Crankshaft, pistons and connecting rods



Inglese

-	➡	U491476 t	
1	●	ZZ90224	1 Kit
	T-A	18:50	
2	!	1	1 Crankshaft
	➡	Ref.n.1	
3	!	U5MB0018	1 Kit
	●	U5MB0033(1)	
	T-A	18:50	
3	✂	U5MB0018A	1 Kit
		(+)0.010"	
	!	1	
	●	U5MB0033A(1)	
	T-A	18:50	
3	✂	U5MB0018B	1 Kit
		(+)0.020"	
	!	1	
	●	U5MB0033B(1)	
	T-A	18:50	
3	✂	U5MB0018C	1 Kit
		(+)0.030"	
	!	1	
	●	N.L.A.(1)	
	T-A	18:50	
4	!	U5ME0026	1 Kit
	●	U5ME0034(1)	
4	!	U5ME0026A	1 Kit
	✂	+0,25 mm	
	●	U5ME0034A(1)	

Engine

C-L mondial Tier 2 (2007-) - RT30 - C 85 L

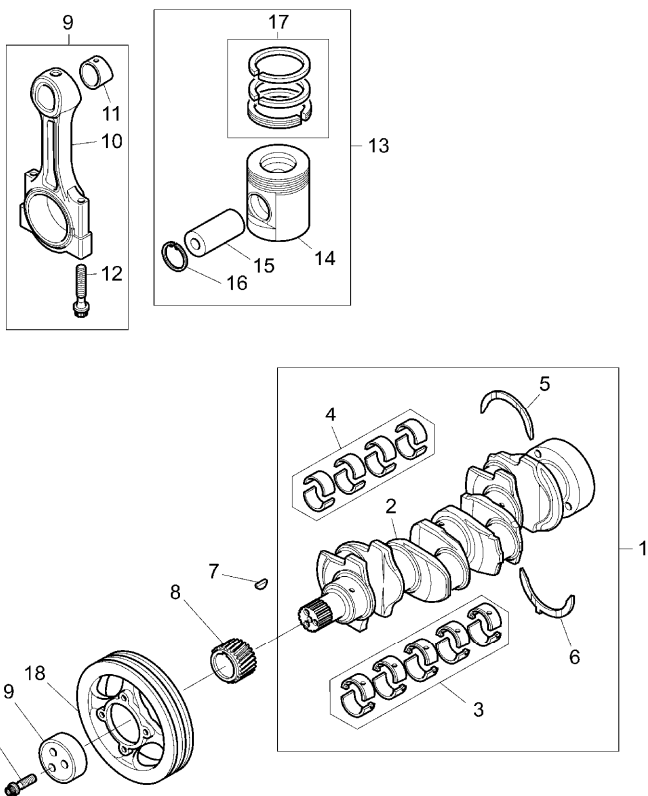
RT30\00010997.png

A-05
03



A0503

Crankshaft, pistons and connecting rods



				Inglese
4	U5ME0026B	!	1	1 Kit
		✂	+0,50 mm	
		●	U5ME0034B(1)	
4	U5ME0026C	!	1	1 Kit
		✂	+0,75 mm	
		●	U5ME0034C(1)	
5	31137312	✂	(+)0.007"	2 Ring
		!	1	
		T-A	18:50	
5	31137551	!	1	2 Washer
		T-A	18:50	
6	31137322	✂	(+)0.007"	2 Ring
		!	1	
		T-A	18:50	
6	31137561	!	1	2 Washer
		T-A	18:50	
7	0500012			1 Key
8	3117C221	T-A	13:0	1 Gear
9	4115C311	F		4 Kit
		T-A	17:0	
9	4115C312	E		4 Kit
		T-A	17:0	
9	4115C313	D		4 Kit
		T-A	17:0	
9	4115C314	C		4 Kit
		T-A	17:0	

Engine

C-L mondial Tier 2 (2007-) - RT30 - C 85 L

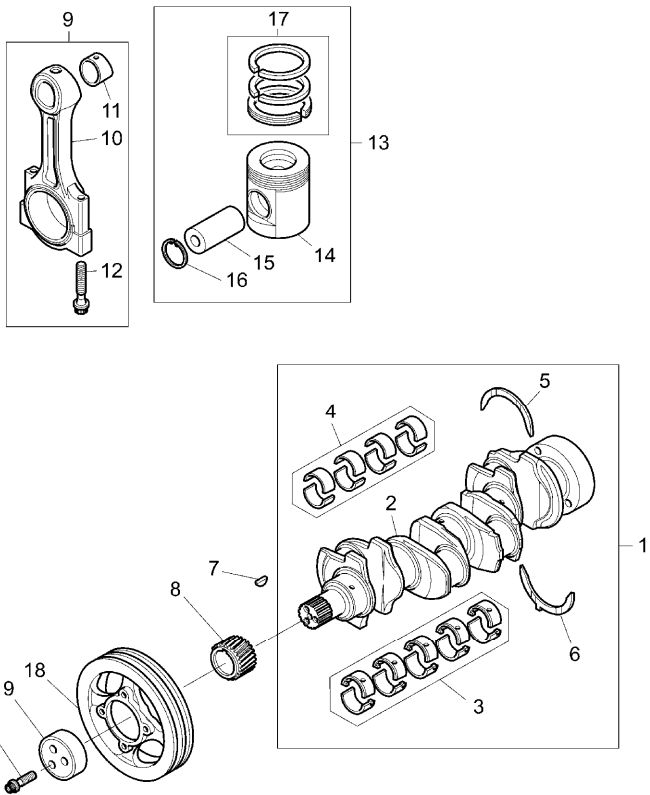
RT30\00010997.png

**A-05
03**



A0503

Crankshaft, pistons and connecting rods



Inglese

9	4115C315	B		4	Kit
		T-A	17:0		
9	4115C316	A		4	Kit
		T-A	17:0		
10		!	9	1	Conrod
		➡	Ref.n.9		
11	3112A005	!	9	1	Bush
		T-A	17:0		
12	3212V003	!	9	2	Screw
13	4115P011	T-A	17:0	4	Kit
14		!	13	1	Piston
		➡	Ref.n.13		
15		!	13	1	Pin
		➡	Ref.n.13		
16	2721332	!	13	2	Ring
17	UPRK0003	!	13	1	Kit
		(X)	1.2.5.		
		T-A	17:0		
18	3115A141			1	Pulley
19	3241N001	T-A	2:0	1	Block
20	32186146			3	Bolt

! This is a component of an assembly

➡ Up to serial or engine number

➡ Not serviced, order

⚡ Shim

● Replacement

(X) Qty per tractors sold (aa.bbb.ccc.ddd) (aa) for 1,(bbb) 2-10 (ccc) 11-25 (ddd) 26-50

Engine

C-L mondial Tier 2 (2007-) - RT30 - C 85 L

**A-05
03**

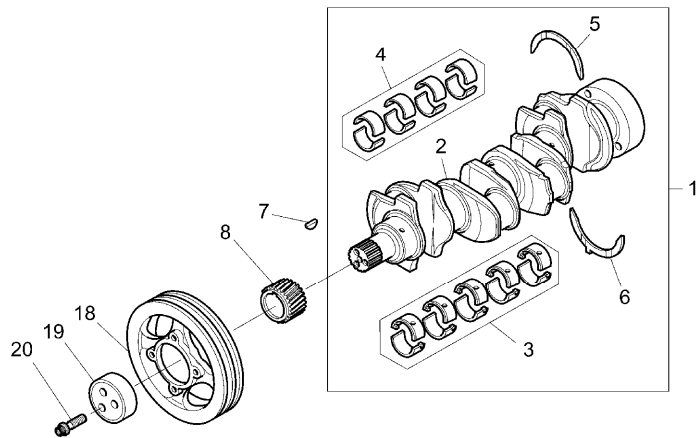
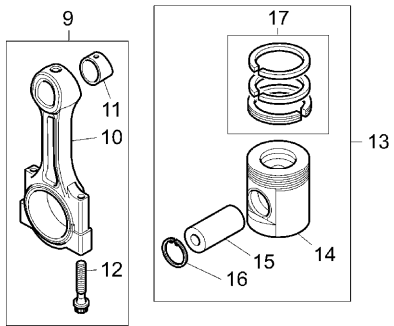


A0503

Crankshaft, pistons and connecting rods

RT30\00010997.png

- T-A Replacement
- A Blue
- B Purple
- C Green
- D White
- E Orange
- F Red



Engine

C-L mondial Tier 2 (2007-) - RT30 - C 85 L

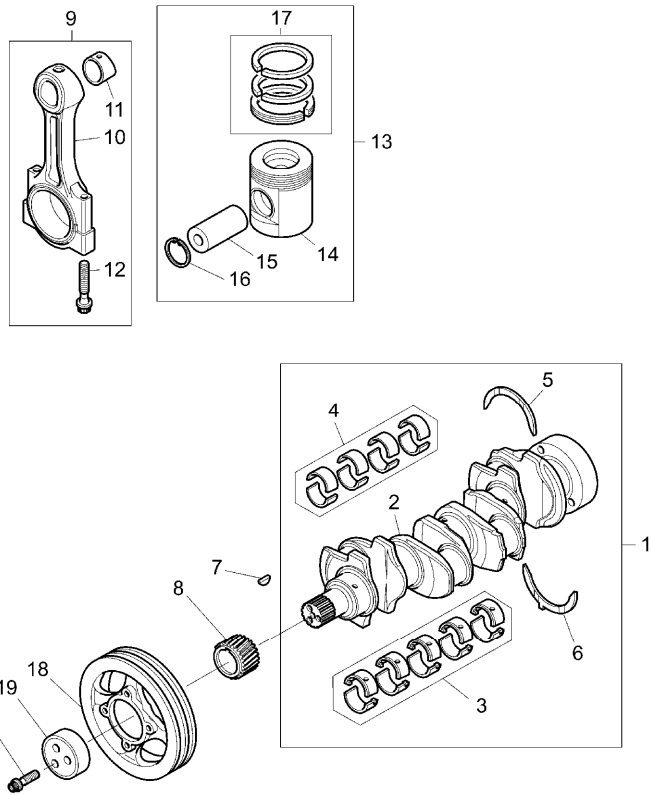
RT30\00010997.png

**A-05
035**



A05035

Crankshaft, pistons and connecting rods



Inglese

-	➔	U491477 t	
1	ZZ90237		1 Shaft
2	!	1	1 Crankshaft
	➔	Ref.n.1	
3	U5MB0033	!	1 Kit
3	U5MB0033A	!	1 Kit
	⚡	-0,25 mm	
3	U5MB0033B	!	1 Kit
	⚡	-0,50 mm	
3	U5MB0033C	!	1 Kit
	⚡	-0,75 mm	
	●	N.L.A.(1)	
4	T400002	!	1 Kit
	●	T410927(1)	
5	31137312	⚡	2 Ring
	!	1	
	T-A	18:50	
5	31137551	!	2 Washer
	T-A	18:50	
6	31137322	⚡	2 Ring
	!	1	
	T-A	18:50	
6	31137561	!	2 Washer
	T-A	18:50	
7	0500012		1 Key
8	3117C221	T-A 13:0	1 Gear

Engine

C-L mondial Tier 2 (2007-) - RT30 - C 85 L

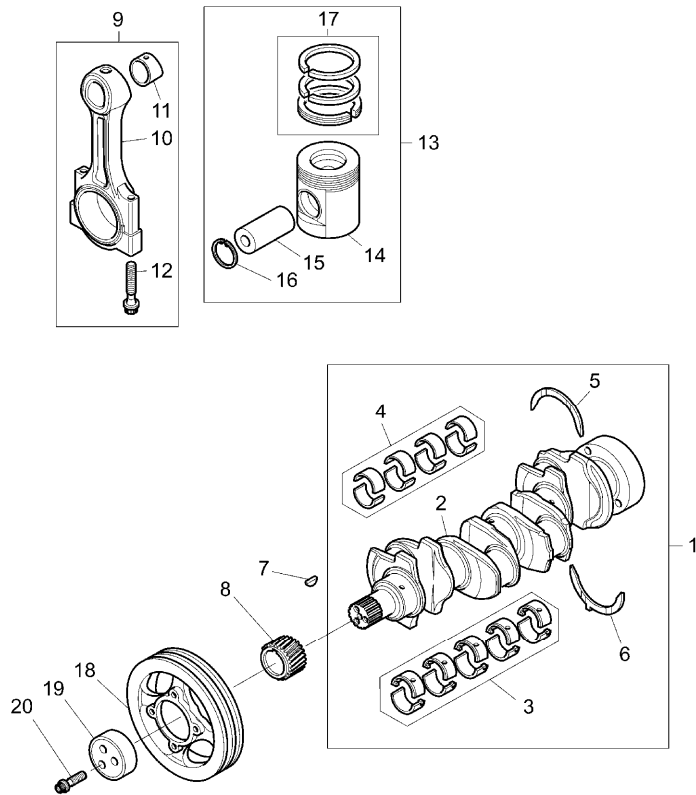
RT30\00010997.png

**A-05
035**



A05035

Crankshaft, pistons and connecting rods



Inglese

9	4115C361	F	4	Conrod
9	4115C362	E	4	Conrod
9	4115C363	D	4	Conrod
9	4115C364	C	4	Conrod
9	4115C365	B	4	Conrod
9	4115C366	A	4	Conrod
10	!	9	1	Conrod
	➡	Ref.n.9		
11	3112A005	!	9	1 Bush
		T-A 17:0		
12	T400001	!	9	2 Screw
13	4115P011	T-A 17:0	4	Kit
14	!	13	1	Piston
	➡	Ref.n.13		
15	!	13	1	Pin
	➡	Ref.n.13		
16	2721332	!	13	2 Ring
17	UPRK0003	!	13	1 Kit
	(X)	1.2.5.		
		T-A 17:0		
18	3115A141		1	Pulley
19	3241N001	T-A 2:0	1	Block
20	32186146		3	Bolt

- ! This is a component of an assembly
- ➡ From serial or engine number
- ➡ Not serviced, order

Engine

A-05
035

Crankshaft, pistons and connecting rods

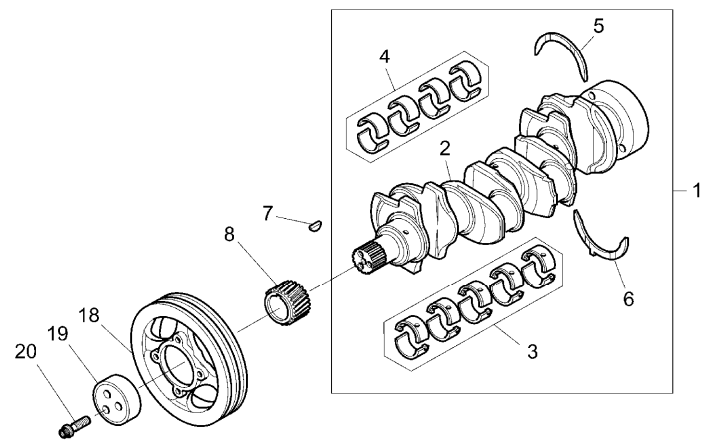
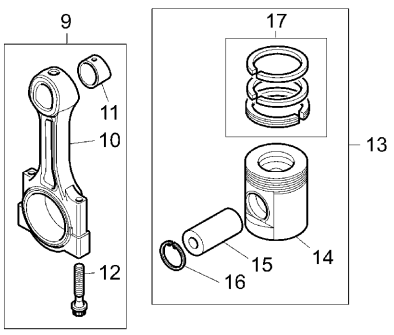
C-L mondial Tier 2 (2007-) - RT30 - C 85 L



A05035

RT30\00010997.png

- ✂ Shim
- Replacement
- (X) Qty per tractors sold (aa.bbb.ccc.ddd) (aa) for 1,(bbb) 2-10 (ccc) 11-25 (ddd) 26-50
- T-A Replacement
- A Blue
- B Purple
- C Green
- D White
- E Orange
- F Red



Engine

C-L mondial Tier 2 (2007-) - RT30 - C 85 L

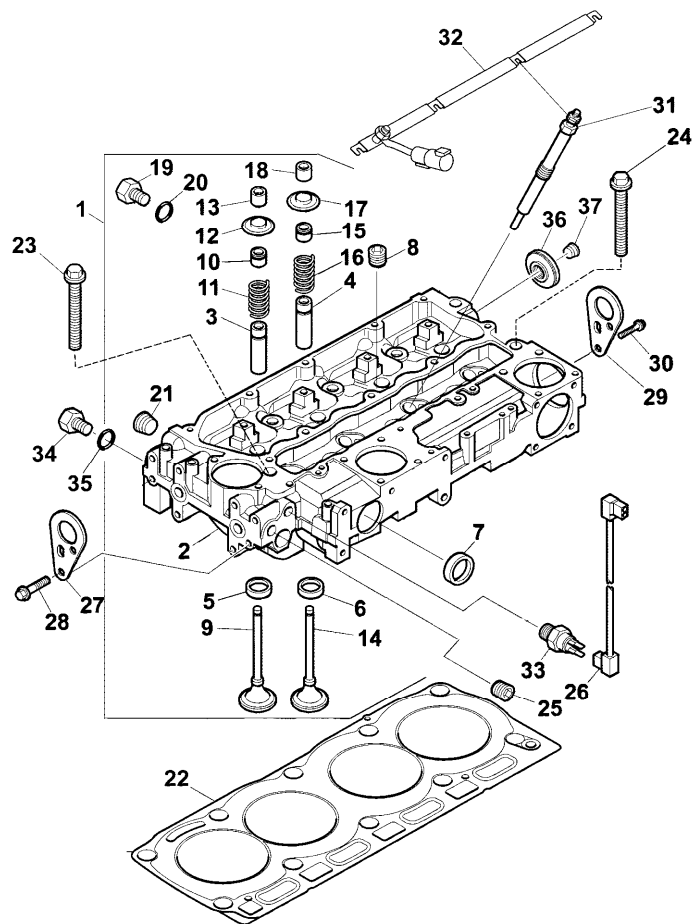
RT30\000031.991.png

A-05
04



A0504

Cylinder head



1	ZZ80270		
2		!	1
3	3313A012	!	1
4	3313A012	!	1
5	3314A241	!	1
6	3314A231	!	1
7	32416117	!	1
8	0650588	T-A 1:0	!
9	3142H071	T-A 0:50	!
10	2418M519	T-A 7:50	!
11	3174A016	A	!
12	3342A011	T-A 3:0	!
13	3142W004	T-A 3:0	!
14	3142A151	T-A 3:0	!
15	2418M517	T-A 7:50	!
		B	

Inglese

1	Cylinder head
1	Head
	Ref.n.1
4	Insert
4	Insert
4	Insert
4	Insert
2	Plug
4	Plug
4	Valve
4	Ring
4	Spring
4	Cover
8	Cotter
4	Valve
4	Ring

Engine

C-L mondial Tier 2 (2007-) - RT30 - C 85 L

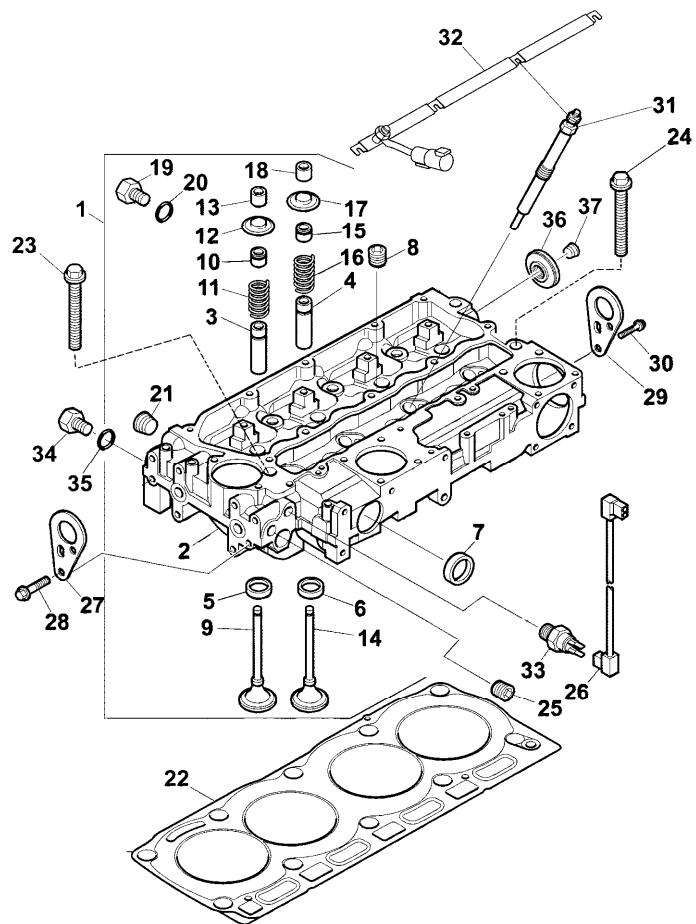
**A-05
04**



A0504

Cylinder head

RT30\000031.991.png



			Inglese
16	3174A016	! 1	4 Spring
		T-A 3:0	
17	3342A011	! 1	4 Cover
		T-A 3:0	
18	3142W004	! 1	8 Cotter
		T-A 3:0	
19	3278A006	! 1	1 Plug
20	2415H003	! 1	1 Ring
21	2431154	! 1	1 Plug
22	3681E051	(X) 1.3.5.1	1 Gasket
23	3218A011		7 Screw
24	3218A012		3 Screw
25	2431154		1 Plug
26	3161C017		1 Cable
27	3617A015		1 Stirrup
28	2314J002		2 Screw
29	3617A015	T-A 3:0	1 Stirrup
30	2314J002		2 Screw
31	2666A016	T-A 0:75	4 Spark plug
32	3161C019	● T409642(1)	1 Bar
33	2848A127	C	1 Sensor
		T-A 0:25	
34	3278A006		1 Plug
35	2415H003		1 Ring
36	3342A701		1 Connection

Engine

C-L mondial Tier 2 (2007-) - RT30 - C 85 L

A-05
04



A0504

Cylinder head

RT30\000031.991.png

Inglese

37 2431154

1 Plug

! This is a component of an assembly

Not serviced, order

Replacement

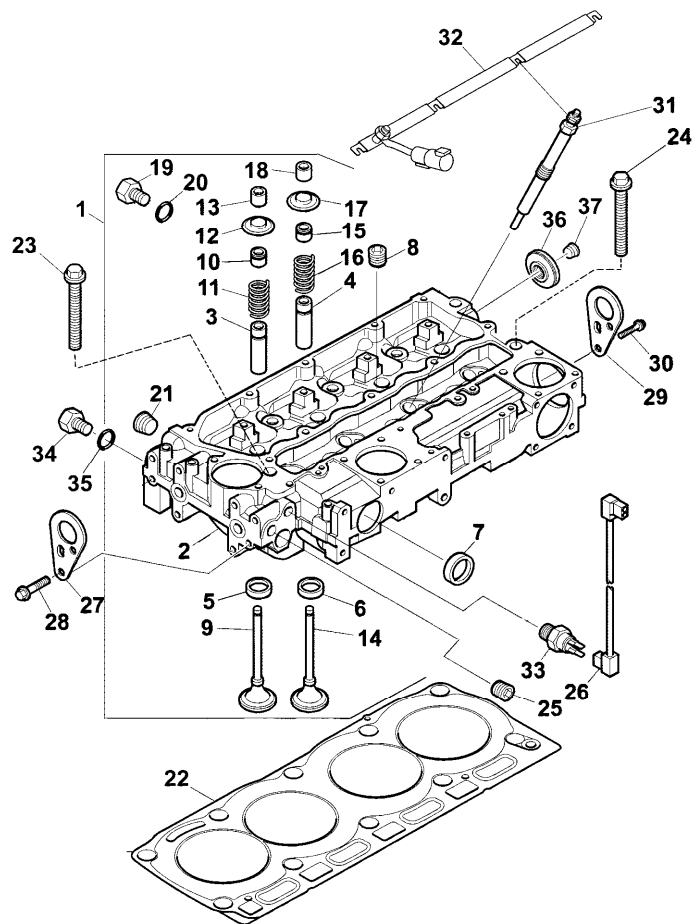
(X) Qty per tractors sold (aa.bbb.ccc.ddd) (aa) for 1,(bbb) 2-10 (ccc) 11-25 (ddd) 26-50

T-A Replacement

A Green

B Brown

C Engine water temperature



Engine

C-L mondial Tier 2 (2007-) - RT30 - C 85 L

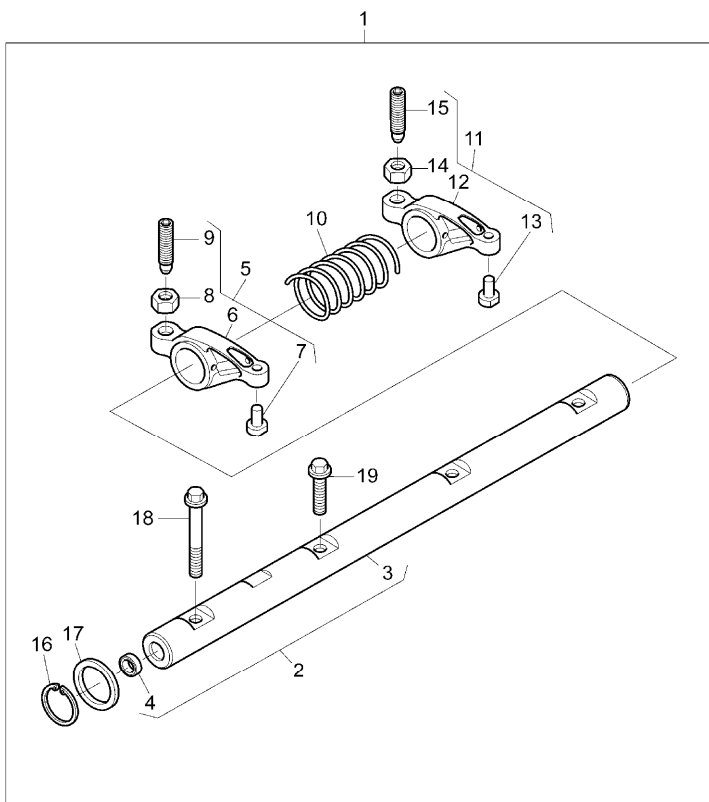
A-05
05



A0505

Rocker shaft

RT30\00010999.png



				Inglese
1	4115R612	T-A 4:0		1 Shaft
2	4115R703	! 1		1 Shaft
		T-A 4:0		
3		! 2		1 Shaft
		➡ Ref.n.2		
4	2485A104	! 2		2 Plug
		T-A 4:0		
5	4115R314	! 1		3 Rocker
		T-A 4:0		
6		! 5		1 Rocker
		➡ Ref.n.5		
7		! 5		1 Shim
		➡ Ref.n.5		
8	0576052	! 5		1 Nut
9	32114145	! 5		1 Screw
10	3174A015	! 1		2 Spring
		T-A 4:0		
11	4115R315	! 1		3 Rocker
		T-A 4:0		
12		! 11		1 Rocker
		➡ Ref.n.11		
13		! 11		1 Shim
		➡ Ref.n.11		
14	0576052	! 11		1 Nut
15	32114145	! 11		1 Screw
		T-A 1:25		

Engine

C-L mondial Tier 2 (2007-) - RT30 - C 85 L

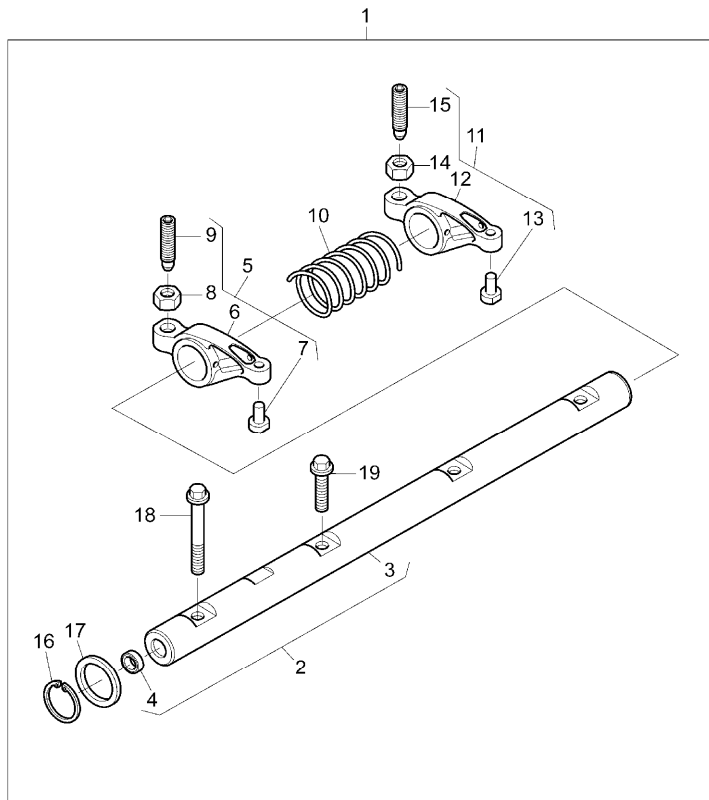
RT30\00010999.png

A-05
05



A0505

Rocker shaft



16 2722A022 ! 1

17 2134A502 ! 1

T-A 4:0

18 2316A901 ! 1

19 2316A902 ! 1

! This is a component of an assembly

Not serviced, order

T-A Replacement

Inglese

2 Ring

2 Washer

1 Screw

2 Screw

Engine

C-L mondial Tier 2 (2007-) - RT30 - C 85 L

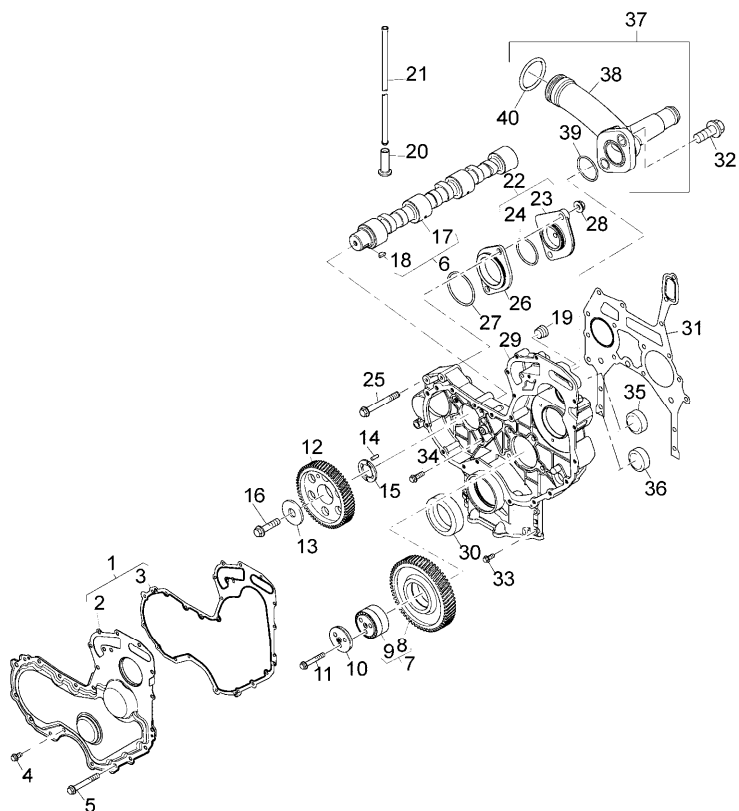
A-05
06



A0506

Timing gear and camshaft

RT30\000015205.png



		Inglese
1	4142A503	1 Kit
2	!	1 Overlay
	➡ Ref.n.1	
3	3681P046	1 Gasket
	(X) 0.1.3.	
	T-A 4:50	
4	2314H002	9 Screw
5	2314H012	5 Screw
6	4112K041	1 Shaft
7	4111A042	● 4111A048(1) 1 Gear
8	!	7 1 Gear
	➡ Ref.n.7	
9	!	7 1 Hub
	➡ Ref.n.7	
10	3321A012	1 Plate
11	2314J012	3 Screw
12	3117L272	1 Gear
13	3321A003	1 Washer
14	2116053	1 Pin
15	3112X011	1 Washer
16	2314J606	1 Screw
17	!	6 1 Shaft
	➡ Ref.n.6	
18	0500012	! 6 1 Key
19	2431154	1 Plug

Engine

C-L mondial Tier 2 (2007-) - RT30 - C 85 L

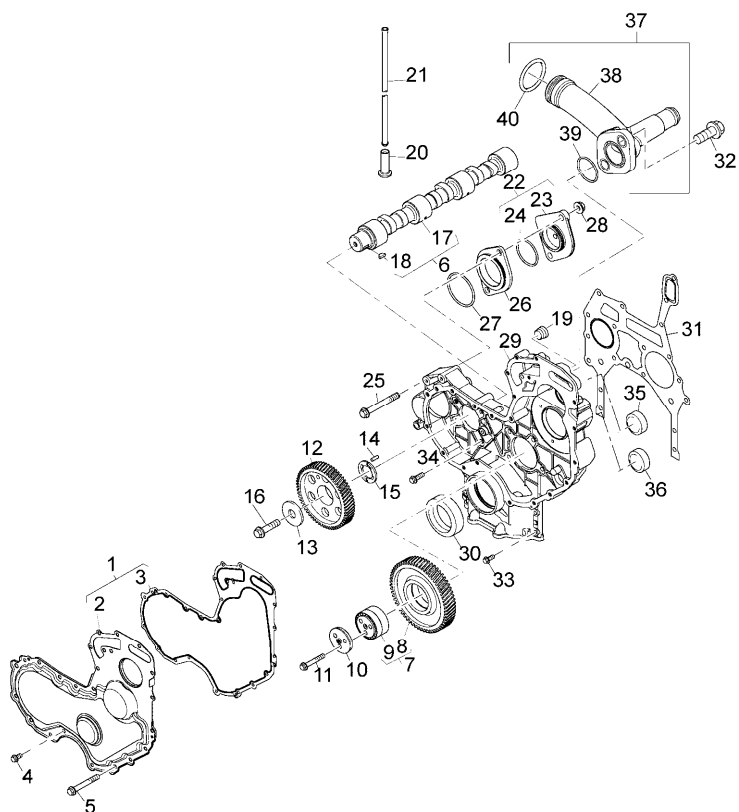
**A-05
06**



A0506

Timing gear and camshaft

RT30\000015205.png



		Inglese
20	3142U991	8 Tappet
21	31434307	8 Rod
22	4148K012	1 Plate
23	! 22	1 Plate
	➡ Ref.n.22	
24	2415H515	1 Ring
25	2314J014	2 Screw
26	3617A021	1 Disc
27	2415H516	1 O ring
28	2318A604	2 Nut
29	3716C581	1 Housing
30	2418F437	1 Gasket
31	3681P053	1 Gasket
32	2314H003	2 Screw
33	2314H003	6 Screw
33	2314H006	2 Screw
34	2314H034	4 Screw
35	2485A124	1 Plug
36	2485A118	1 Plug
37	4133L048	1 Connection
38	! 37	1 Connection
	➡ Ref.n.37	
39	2418F001	1 Ring
	T-A 4:75	

Engine

C-L mondial Tier 2 (2007-) - RT30 - C 85 L

A-05
06



A0506

Timing gear and camshaft

RT30\000015205.png

Inglese

40 2418F002 ! 37

1 Ring

T-A 4:75

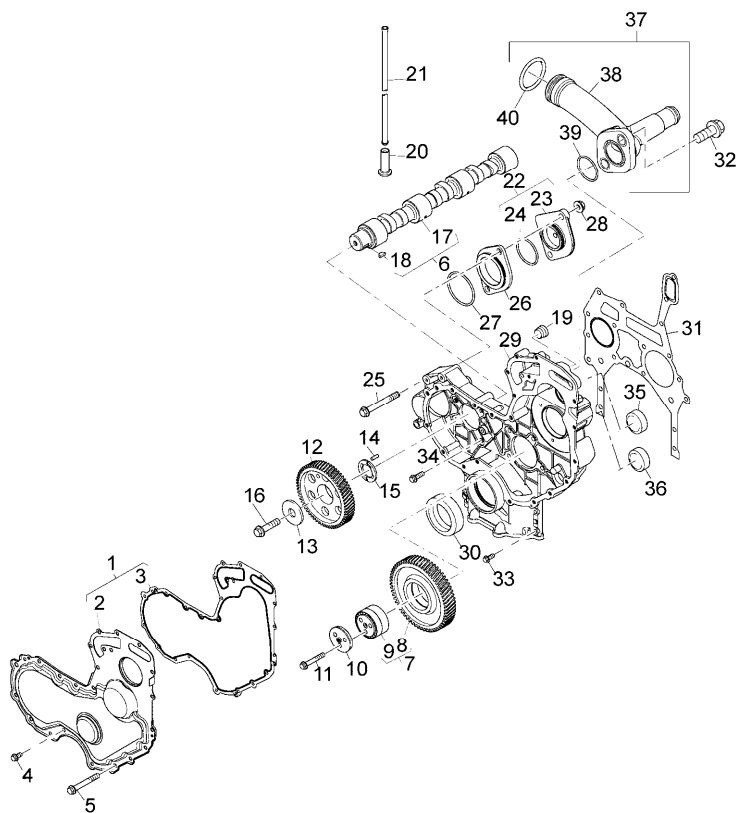
! This is a component of an assembly

Not serviced, order

Replacement

(X) Qty per tractors sold (aa.bbb.ccc.ddd) (aa) for 1,(bbb) 2-10 (ccc) 11-25 (ddd) 26-50

T-A Replacement



Engine

C-L mondial Tier 2 (2007-) - RT30 - C 85 L

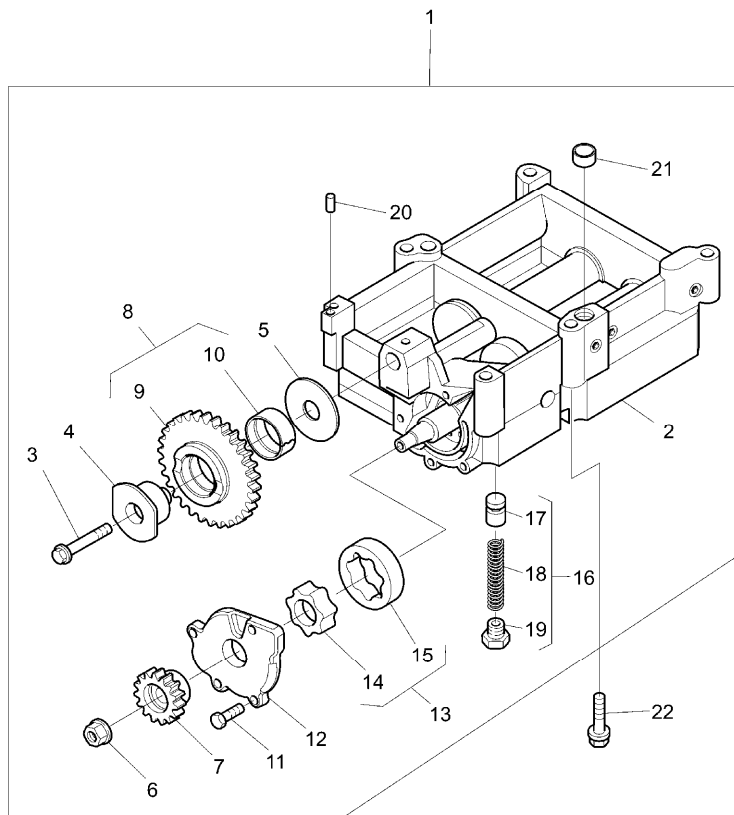
**A-05
07**



A0507

Oil pump

RT30\00011001.png



		Inglese	
1	4111K073	T-A 4:0 T-B 5:0	1 Balancer
2		! 1 ➡ Ref.n.1	1 Frame
3	2314H951	! 1	1 Screw
4	3272A022	! 1	1 Shaft
5	3321A006	! 1	1 Washer
6	2318F605	T-A 5:0 ! 1	1 Nut
7	3117A101	! 1	1 Gear
8	4111A029	T-A 5:0 ! 1	1 Gear
9		T-A 5:0 ! 8	1 Gear
10	3112D031	➡ Ref.n.8 ! 8	1 Cuscinet
11	2314C945	● N.L.A.(1) T-A 5:0 ! 1	5 Screw
12	3753R351	! 1	1 Cover
13	4111K068	T-A 5:0 ! 1	1 Rotor
14		T-A 5:0 ! 13 ➡ Ref.n.13	1 Rotor

Engine

C-L mondial Tier 2 (2007-) - RT30 - C 85 L

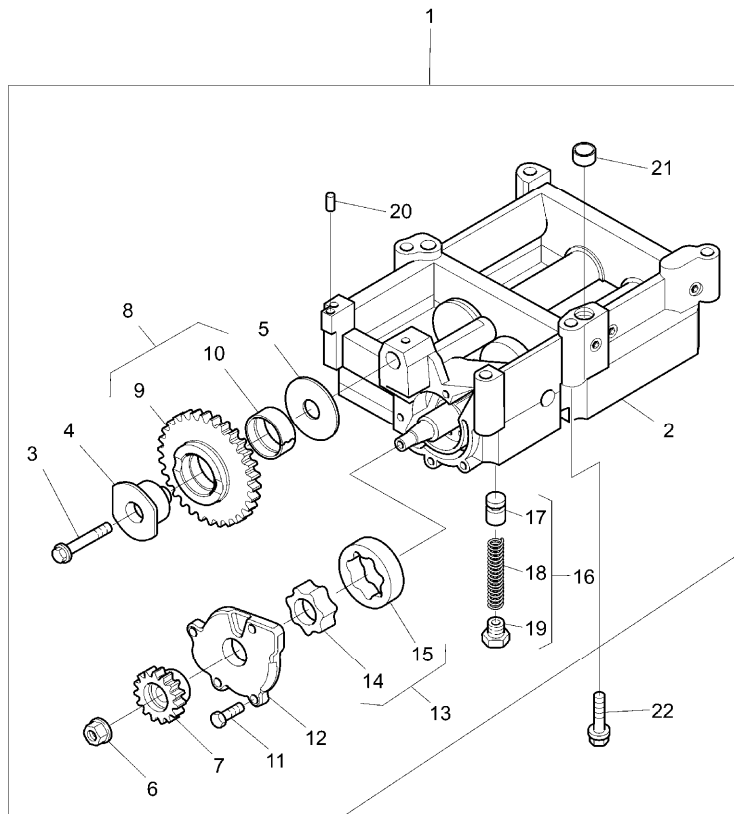
**A-05
07**



A0507

Oil pump

RT30\00011001.png



		Inglese	
15	!	13	1 Rotor
	➡	Ref.n.13	
16	U5MK0695	!	1 Valve
	T-A	5:0	
17	3245A002	!	1 Contact
	T-A	5:0	
18	3174A021	!	1 Spring
	T-A	5:0	
19	3218A013	!	1 Plug
20	3244A013	!	1 Dowel
21	33137409	!	1 Thimble
22	2314J012		6 Screw
!	This is a component of an assembly		
➡	Not serviced, order		
●	Replacement		
T-A	Replacement		
T-B	Overhaul		

Engine

C-L mondial Tier 2 (2007-) - RT30 - C 85 L

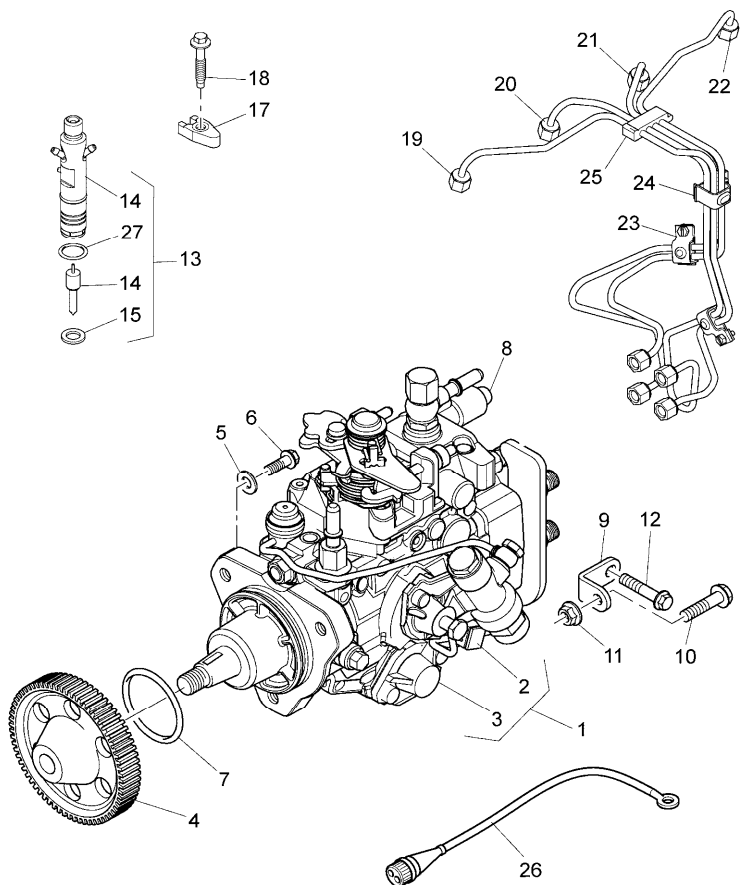
**A-05
08**



A0508

Fuel injection equipment (diesel)

RT30\000015026.png



		Inglese	
1	2644N209	● N.L.S.(1) T-A 5:0	1 Pump
2		! 1 ➡ Ref.n.1	1 Pump
3	26420518	! 1 A (X) 0.1.3.	1 Solenoid
3	26439279	! 1 B	1 Solenoid
4	3117L251	T-A 4:50	1 Pinion
5	2411D008		3 Washer
6	2314H004		3 Screw
7	2415H548	T-A 4:50	1 Ring
8	2487D002		1 Cover
9	3641A007		1 Stirrup
10	2314H003		1 Screw
11	2318A603		1 Nut
12	2314J002		1 Screw
13	2645K016		4 Atomiser
14		! 13 ➡ Ref.n.13	1 Support
15	2645K613	! 13 (X) 1.2.5. T-A 2:0	1 Nozzle

Engine

C-L mondial Tier 2 (2007-) - RT30 - C 85 L

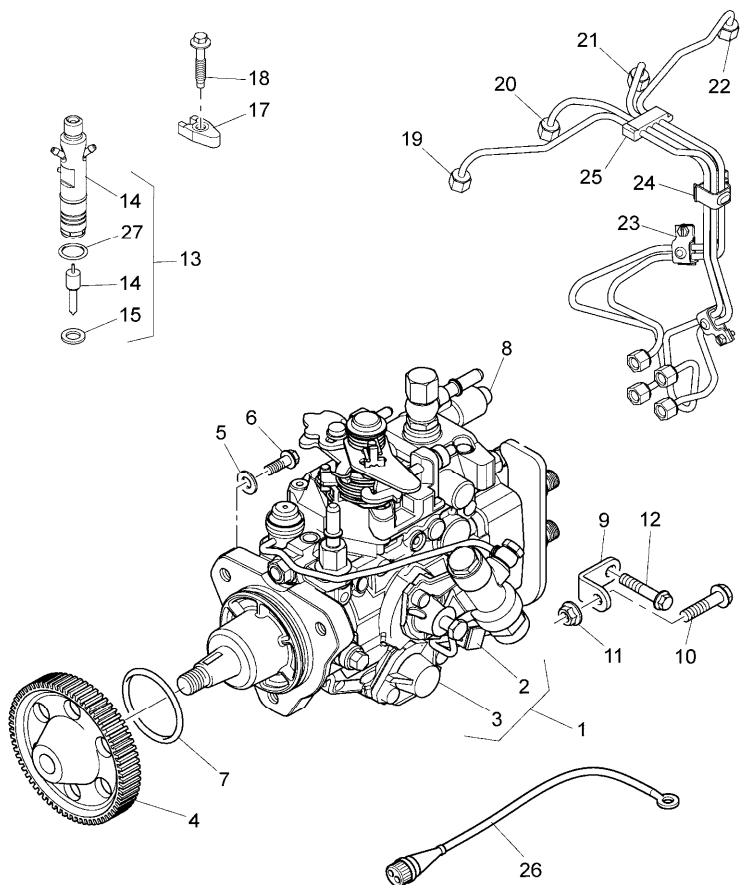
**A-05
08**



A0508

Fuel injection equipment (diesel)

RT30\000015026.png



Inglese

16	L311FF02	!	13	1	Washer
		T-A	2:0		
17	3751A241	T-A	2:0	4	Clamp
18	2314W009			4	Screw
19	3525A091	T-A	0:25	1	Pipe
20	3525A092	T-A	0:25	1	Pipe
21	3525A093	T-A	0:25	1	Pipe
22	3525A094	T-A	0:25	1	Pipe
23	2481Y011	T-A	0:25	2	Clip
24	2481Y012	T-A	0:25	1	Clip
25	2646E019	T-A	0:25	1	Clip
26	3673286M91	T-A	0:25	1	Cable
27	26460064			1	Ring

! This is a component of an assembly

Not serviced, order

Replacement

(X) Qty per tractors sold (aa.bbb.ccc.ddd) (aa) for 1,(bbb) 2-10 (ccc) 11-25 (ddd) 26-50

T-A Replacement

A Stop

B Start

Engine

C-L mondial Tier 2 (2007-) - RT30 - C 85 L

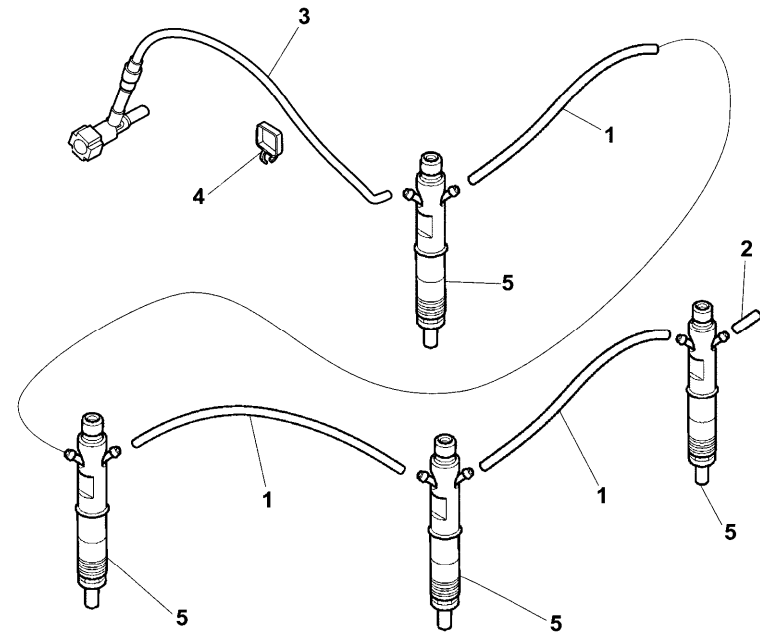
**A-05
085**





A05085

Fuel pipe

RT30\000031.982.png



- 1 2646F501
 - 2 2646E501
 - 3 3584A015
 - 4 2817A001
 - 5  A-05 08 13
-  See page - reference number

Inglese

- 3 Pipe
- 1 Cap
- 1 Pipe
- 1 Clip
- 4 Atomiser



Suggest:

For more complete manuals. Please go to the home page.

<https://www.ebooklibonline.com>

If the above button click is invalid. Please download this document first, and then click the above link to download the complete manual.

Thank you so much for reading

Engine

C-L mondial Tier 2 (2007-) - RT30 - C 85 L

A-05
09

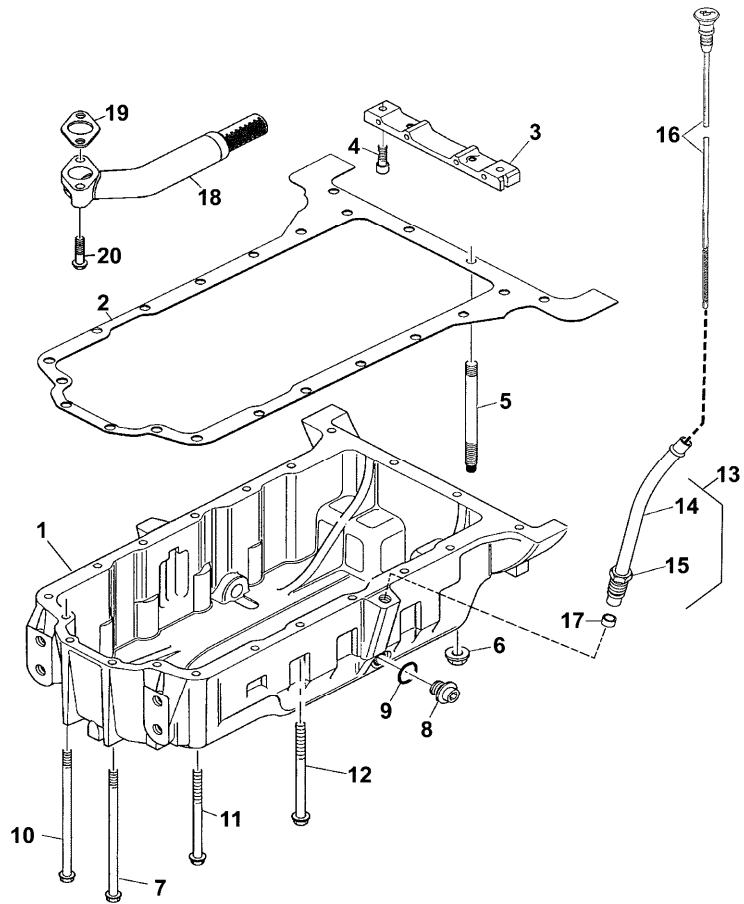


A0509

Lubricating oil sump

RT30\000031.994.png

(X) Qty per tractors sold (aa.bbb.ccc.ddd) (aa) for 1,(bbb) 2-10 (ccc) 11-25 (ddd) 26-50
T-A Replacement



Engine

C-L mondial Tier 2 (2007-) - RT30 - C 85 L

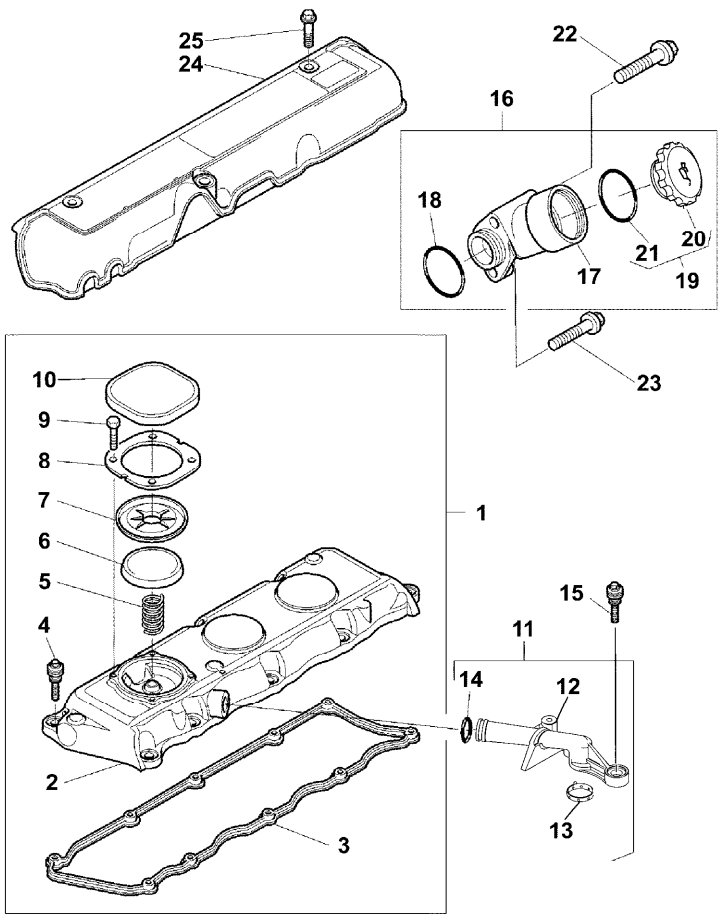
A-05
10



A0510

Lubricating oil filler and breather

RT30\000031.995.png



		Inglese
1	4142X322	● T417513(1) 1 Guard
2		! 1 1 Guard
3	3681A055	➡ Ref.n.1 1 Gasket
		(X) 1.3.5. T-A 1:0
4	2161A013	! 1 10 Screw
5	3174A017	! 1 1 Spring
		T-A 0:50
6	3788A002	! 1 1 Cap
		T-A 0:25
7	3789A001	! 1 1 Diaphragm
		T-A 0:25
8	3615A009	! 1 1 Plate
		T-A 0:25
9	2151A001	! 1 4 Screw
10	3788A003	! 1 1 Cap
		T-A 0:25
11	4134K021	T-A 0:50 1 Pipe
12		! 11 1 Pipe
		➡ Ref.n.11
13	2415H701	! 11 1 Ring
		T-A 0:50
14	2415A068	! 11 1 Ring
		T-A 0:50
15	2314F005	! 11 2 Screw

<https://www.ebooklibonline.com>

Hello dear friend!

Thank you very much for reading.

Enter the link into your browser.

The full manual is available for immediate download.

<https://www.ebooklibonline.com>