

Engine

C-L Europa Tier 3 (2008-2015) - RS51 - C70L

RS51\00005170.png

A-05  
01



A0501

Engine assembly

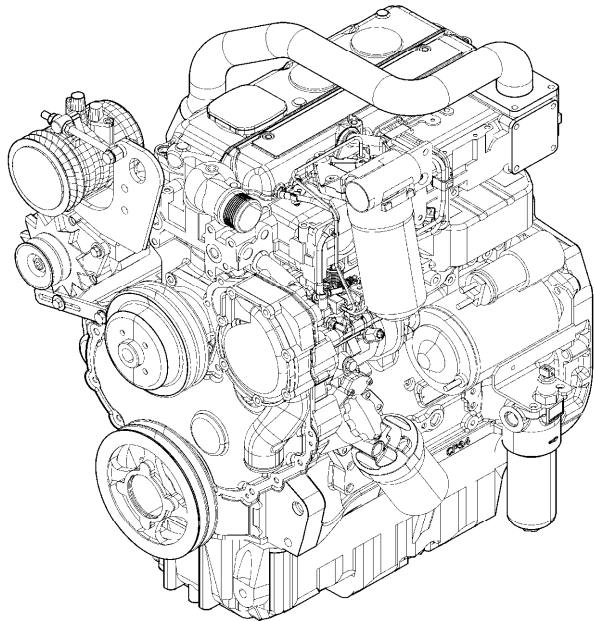
Inglese

- |   |            |                  |   |        |
|---|------------|------------------|---|--------|
| 1 | 6506818M91 | Perkins - xm5162 | 1 | Engine |
|   |            | 50 kw            |   |        |
| 1 | 6515040M91 | Perkins - xm8220 | 1 | Engine |
|   |            | 50 kw            |   |        |

A  
B

- A Flexibility engine
- B Cee

1



Engine

C-L Europa Tier 3 (2008-2015) - RS51 - C70L

**A-05  
011**



A05011

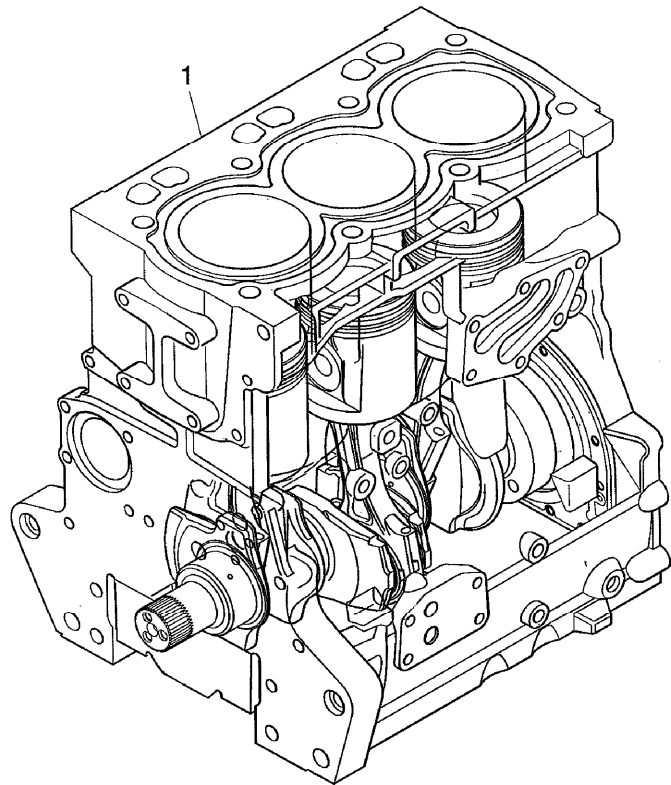
Short engine

RS51\000015152.png

1 XM40012

Inglese

1 Cylinder block



Engine

C-L Europa Tier 3 (2008-2015) - RS51 - C70L

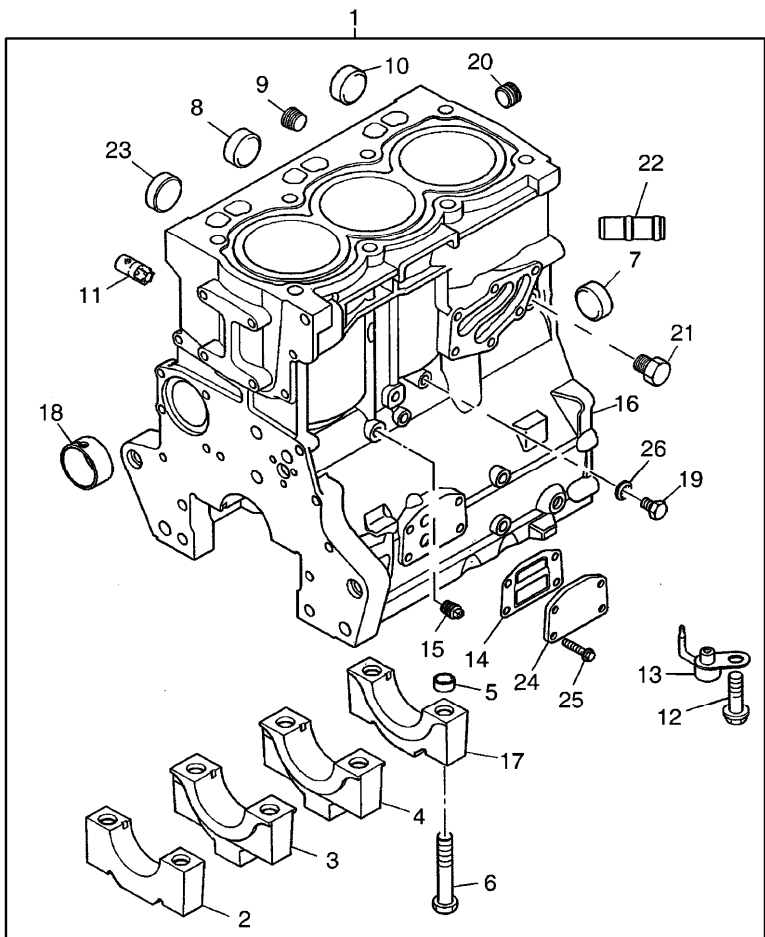
**A-05  
02**



A0502

Cylinder block

RS51\000015153.png



			Inglese
1	4181V016	T-A 27:0	1 Cylinder block
2		! 1	1 Bearing
		➡ Ref.n.1	
3		! 1	1 Bearing
		➡ Ref.n.1	
4		! 1	1 Bearing
		➡ Ref.n.1	
5	33142111	! 1	8 Manicott
6	32166329	! 1	8 Screw
7	3241A012	! 1	1 Plug
8	3241A011	! 1	2 Plug
9	0650588	! 1	1 Plug
		T-A 0:25	
10	0650710	! 1	1 Plug
		T-A 0:25	
11	3212V006	! 1	1 Plug
12	2314F001	! 1	3 Screw
13	2113A003	! 1	3 Atomiser
14	3688A039	! 1	2 Gasket
15	0650594	! 1	1 Plug
16		! 1	1 Cylinder
		➡ Ref. n. 1	
17		! 1	1 Bearing
		➡ Ref. n. 1	

**<https://www.ebooklibonline.com>**

Hello dear friend!

Thank you very much for reading.

Enter the link into your browser.

The full manual is available for immediate download.

**<https://www.ebooklibonline.com>**

Engine

C-L Europa Tier 3 (2008-2015) - RS51 - C70L

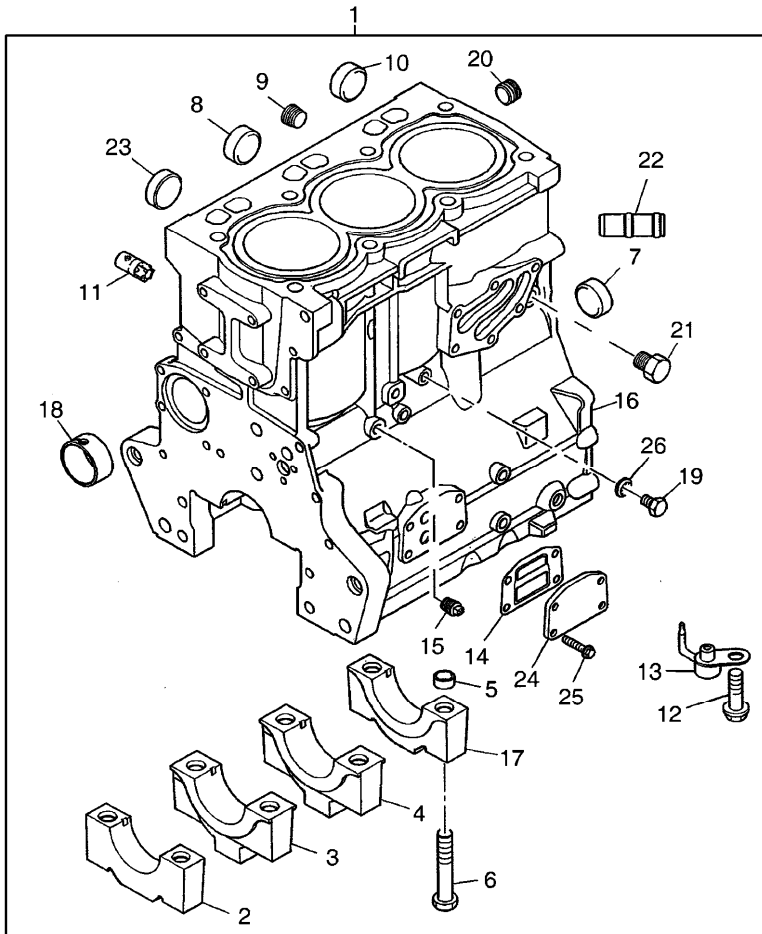
RS51\000015153.png

A-05  
02



A0502

Cylinder block



		Inglese	
18	3112D071	!	1 Bush
		●	3112D075(1)
19	2314C049	!	1 Screw
20	3212P008	!	1 Plug
21	32141316	!	1 Plug
22	3313A022	!	1 Pipe
23	2485A108	!	1 Plug
24	3623A009	!	2 Plate
25	2314H033	!	8 Screw
26	2415D053	!	1 Washer

- ! This is a component of an assembly
- ▣ Not serviced, order
- Replacement
- T-A Replacement

Engine

C-L Europa Tier 3 (2008-2015) - RS51 - C70L

**A-05  
04**

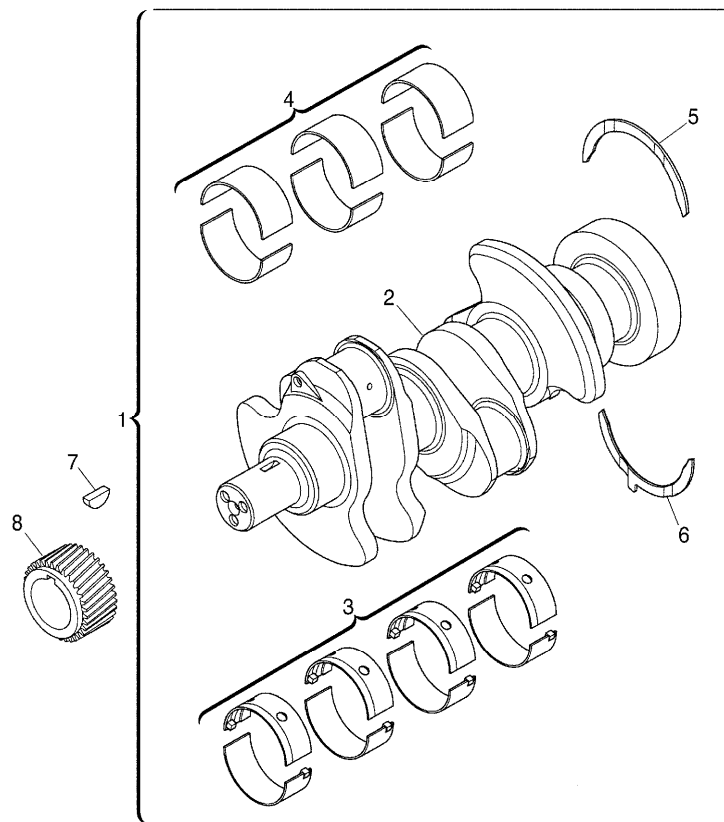


A0504

Camshaft

RS51\000020599.png

Inglese



1	4181V017	T-A	15:0	1	Shaft
2		!	1	1	Shaft
		➡	Ref.n.1		
3	U5MB0037	!	1	1	Kit
3	U5MB0037A	!	1	1	Kit
		⚡	-0,25mm		
3	U5MB0037B	!	1	1	Kit
		⚡	-0,50mm		
3	U5MB0037C	!	1	1	Kit
		⚡	-0,75mm		
4	U5ME0033	!	1	1	Kit
4	U5ME0033A	!	1	1	Kit
		⚡	-0,25mm		
4	U5ME0033B	!	1	1	Kit
		⚡	-0,50mm		
4	U5ME0033C	!	1	1	Kit
		⚡	-0,75mm		
5	31137312	⚡	0.007"	2	Ring
		!	1		
		T-A	15:0		
5	31137551	!	1	2	Washer
		T-A	15:0		
6	31137322	!	1	2	Ring
		⚡	0.007"		
		T-A	15:0		

Engine

C-L Europa Tier 3 (2008-2015) - RS51 - C70L

A-05  
04





A0504

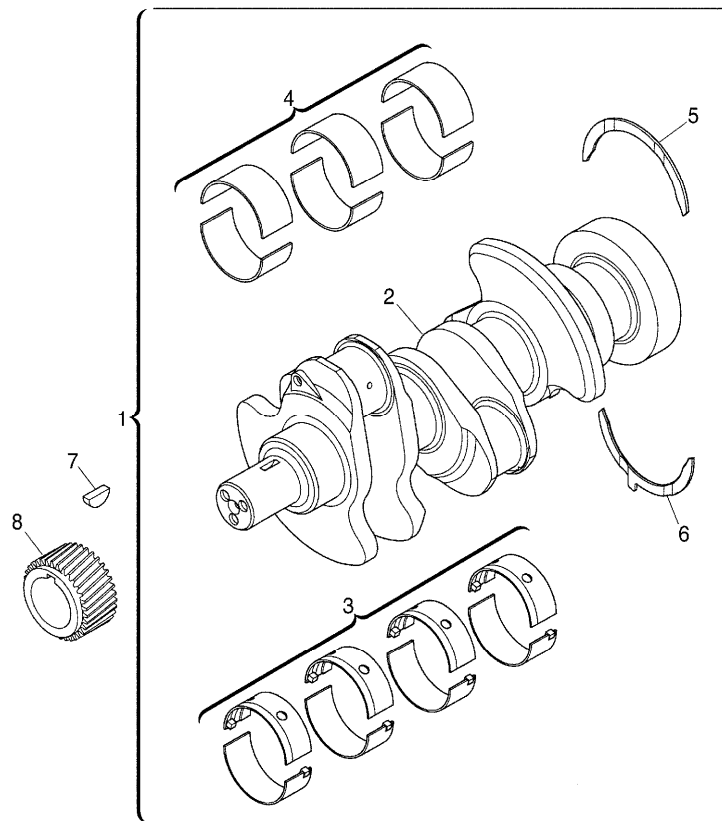
Camshaft

RS51\000020599.png

Inglese

6	31137561	!	1	2	Washer
		T-A	15:0		
7	3117C221	T-A	10:0	1	Gear
8	0500012	T-A	10:0	1	Key

- ! This is a component of an assembly
-  Not serviced, order
-  Shim
- T-A Replacement



Engine

C-L Europa Tier 3 (2008-2015) - RS51 - C70L

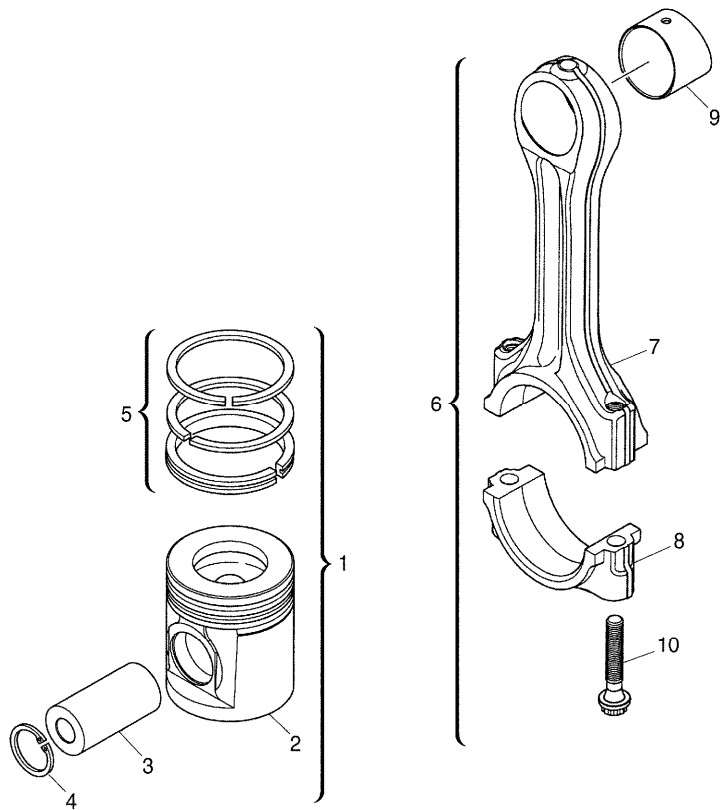
RS51\000020600.png

A-05  
05



A0505

Pistons and connecting rods



1 U5PR0064

2 ! 1

➡ Ref.n.1

3 ! 1

➡ Ref.n.1

4 2721332 ! 1

5 UPRK0005 ! 1

6 4115C311 B  
T-A 14:0

6 4115C312 C  
T-A 14:0

6 4115C313 D  
T-A 14:0

6 4115C314 E  
T-A 14:0

6 4115C315 F  
T-A 14:0

6 4115C316 G  
T-A 14:0

7 ! 6  
➡ Ref.n.6

8 ! 6  
➡ Ref.n.6

9 3112A005 ! 6  
T-A 14:0

Inglese

3 Kit

1 Piston

1 Bush

2 Ring

1 Kit

3 Kit

3 Kit

3 Kit

3 Kit

3 Kit

3 Kit

1 Conrod

1 Cap

1 Bush

Engine

C-L Europa Tier 3 (2008-2015) - RS51 - C70L

RS51\000020600.png

A-05  
05



A0505

Pistons and connecting rods

Inglese

10 3212V003 ! 6

2 Screw

A

! This is a component of an assembly

Not serviced, order

T-A Replacement

A Do not reuse once it has been removed

B Red

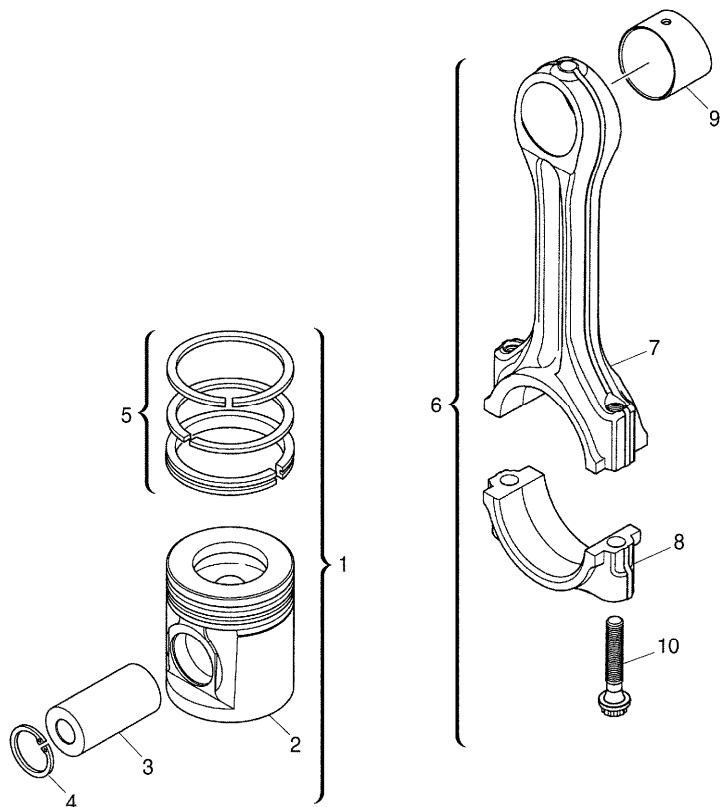
C Orange

D White

E Green

F Purple

G Blue



Engine

C-L Europa Tier 3 (2008-2015) - RS51 - C70L

RS51\000020598.png

A-05  
06



A0506

End cover

1 2418F704 T-A 9:0

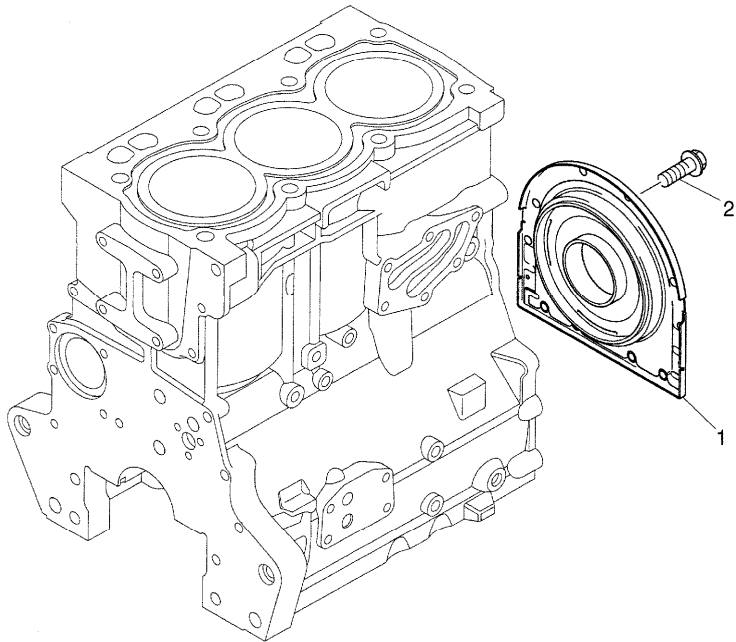
2 3211C002

T-A Replacement

Inglese

1 Housing

10 Screw



Engine

C-L Europa Tier 3 (2008-2015) - RS51 - C70L

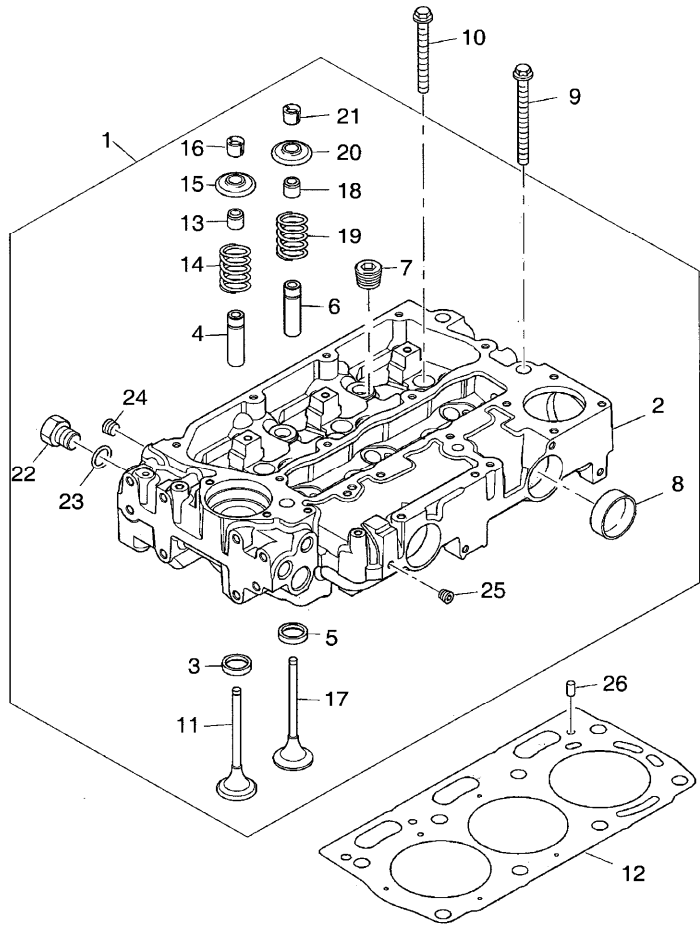
RS51\000015154.png

**A-05  
07**



A0507

Cylinder head



			Inglese
1	ZZ80282		1 Cylinder head
2		! 1	1 Cylinder head
		➡ Ref.n.1	
3	3314A241	! 1	3 Insert
4	3313A012	! 1	3 Insert
5	3314A231	! 1	3 Insert
6	3313A012	! 1	3 Insert
7	0650588	! 1	3 Plug
8	32416117	! 1	3 Plug
9	3218A012		3 Screw
10	3218A011		5 Screw
11	3142H111	! 1	3 Valve
12	3681E049		1 Gasket
13	2418M519	! 1	3 Ring
	A		
14	3174A031	! 1	3 Spring
	● T417479(3)		
15	3342A021	! 1	3 Coperch.
16	2714A002	! 1	6 Collar
17	3142A171	! 1	3 Valve
18	2418M517	! 1	3 Ring
	B		
19	3174A031	! 1	3 Spring
	● T417479(3)		
20	3342A021	! 1	3 Coperch.

Engine

C-L Europa Tier 3 (2008-2015) - RS51 - C70L

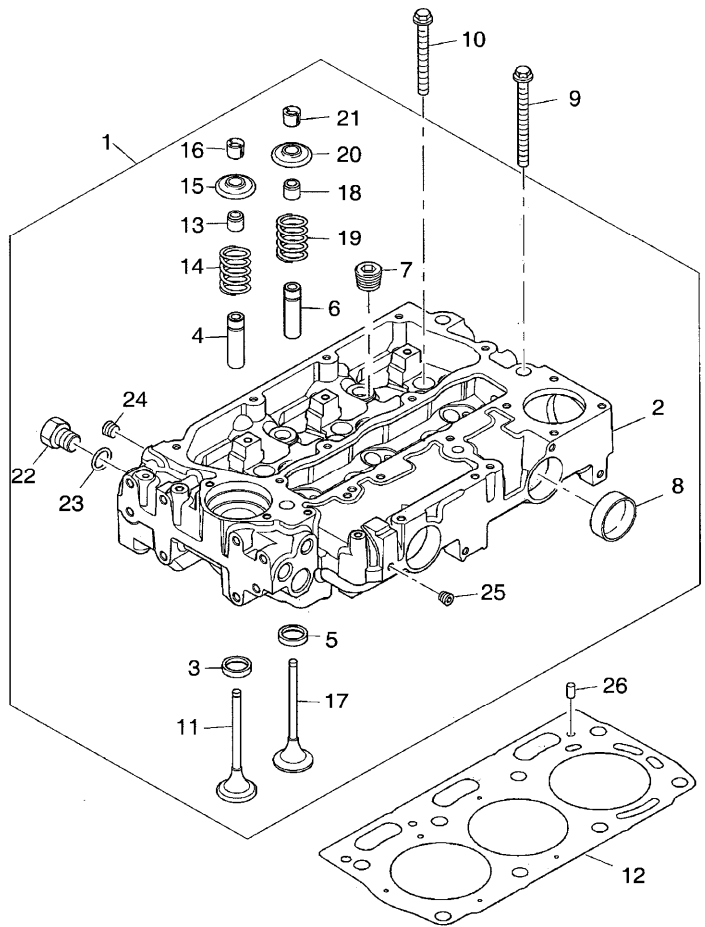
A-05  
07



A0507

Cylinder head

RS51\000015154.png



- 21 2714A002 ! 1
- 22 3278A006 ! 1
- 23 2415H003 ! 1
- 24 2431154 ! 1
- 25 2431154 ! 1
- 26 3244A009 2

Inglese

- 6 Collar
- 1 Plug
- 1 Ring
- 1 Plug
- 1 Plug
- 2 Dowel

- ! This is a component of an assembly
- 🔧 Not serviced, order
- Replacement
- A Green
- B Brown

Engine

C-L Europa Tier 3 (2008-2015) - RS51 - C70L

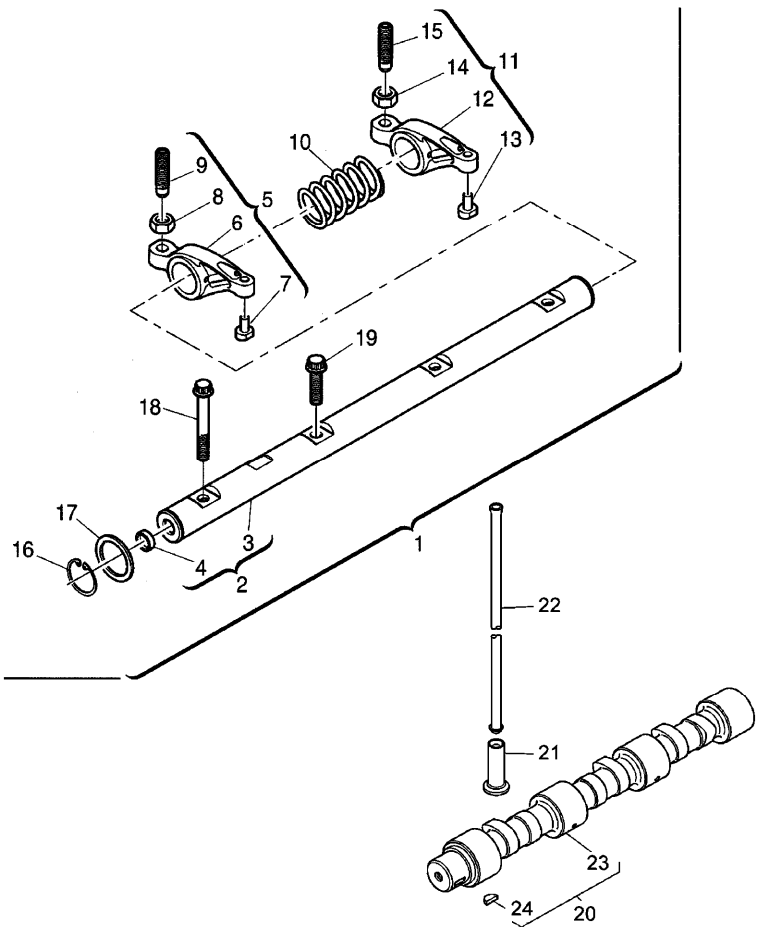
RS51\000015155.png

A-05  
08



A0508

Rocker shaft



		Inglese
1	4115R614	1 Rocker
2	4115R702	1 Shaft
	T-A 4:0	
3		1 Rockerarm
	! 2	
	➡ Ref.n.2	
4	2485A104	2 Plug
5	4115R319	3 Lever
6		1 Rocker
	! 5	
	➡ Ref.n.5	
7		1 Pad
	! 5	
	➡ Ref.n.5	
8	3331A006	1 Nut
9	3211C004	1 Screw
10	3174A015	2 Spring
	T-A 4:0	
11	4115R318	3 Lever
12		1 Rocker
	! 11	
	➡ Ref.n.11	
13		1 Pad
	! 11	
	➡ Ref.n.11	
14	3331A006	1 Nut
15	3211C004	1 Screw
16	2722A022	2 Ring
17	2134A502	2 Washer
18	2316A901	1 Screw

Engine

C-L Europa Tier 3 (2008-2015) - RS51 - C70L

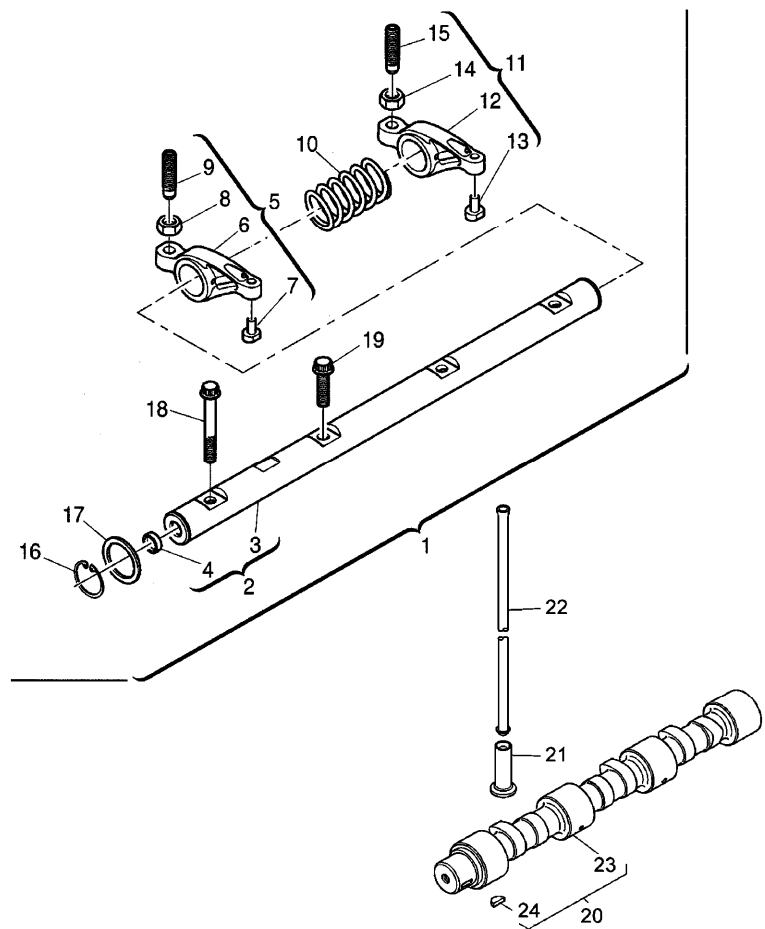
RS51\000015155.png

A-05  
08



A0508

Rocker shaft



Inglese

19	2316A902	!	1	2	Screw
20	4112K049			1	Shaft
21	3142U061			6	Tappet
22	3142V011			6	Rod
23		!	20	1	Shaft
		➡	Ref. n.20		
24	0500012	!	20	1	Key

! This is a component of an assembly  
 ➡ Not serviced, order  
 T-A Replacement

Engine

C-L Europa Tier 3 (2008-2015) - RS51 - C70L

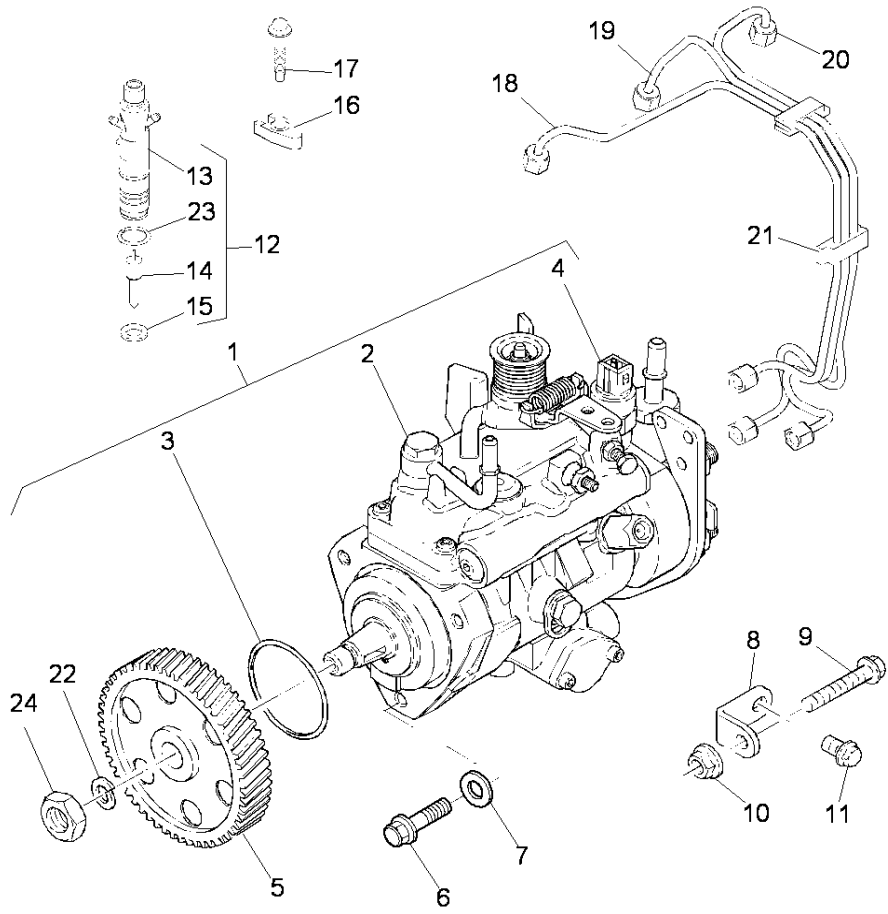
**A-05  
09**



A0509

Fuel injection equipment (diesel)

RS51\00040017.png



		Inglese
1	T409193/22	1 Pump
2	! 1	1 Pump
	➡ Ref.n.1	
3	26420318 ! 1	1 Ring
	T-A 4:50	
4	26420469 ! 1	1 Solenoid
	(X) 1.2.5.	
	T-A 0:25	
	T-A 4:50	
5	3117L261	1 Gear
6	2314H004	3 Screw
7	2411D008	3 Washer
8	3641A007	1 Stirrup
9	2314H003	1 Screw
10	2318A603	1 Nut
11	2314J002	1 Screw
12	2645K030	3 Nozzle
13	! 12	1 Atomiser
	➡ Ref.n.12	
14	! 12	1 Nozzle
	➡ Ref. n.12	
15	L311FF02 ! 12	1 Washer
	T-A 2:0	
16	3751A241 (X) 1.4.8.1	3 Clamp
	T-A 2:0	
17	2314W009	3 Screw

Engine

C-L Europa Tier 3 (2008-2015) - RS51 - C70L

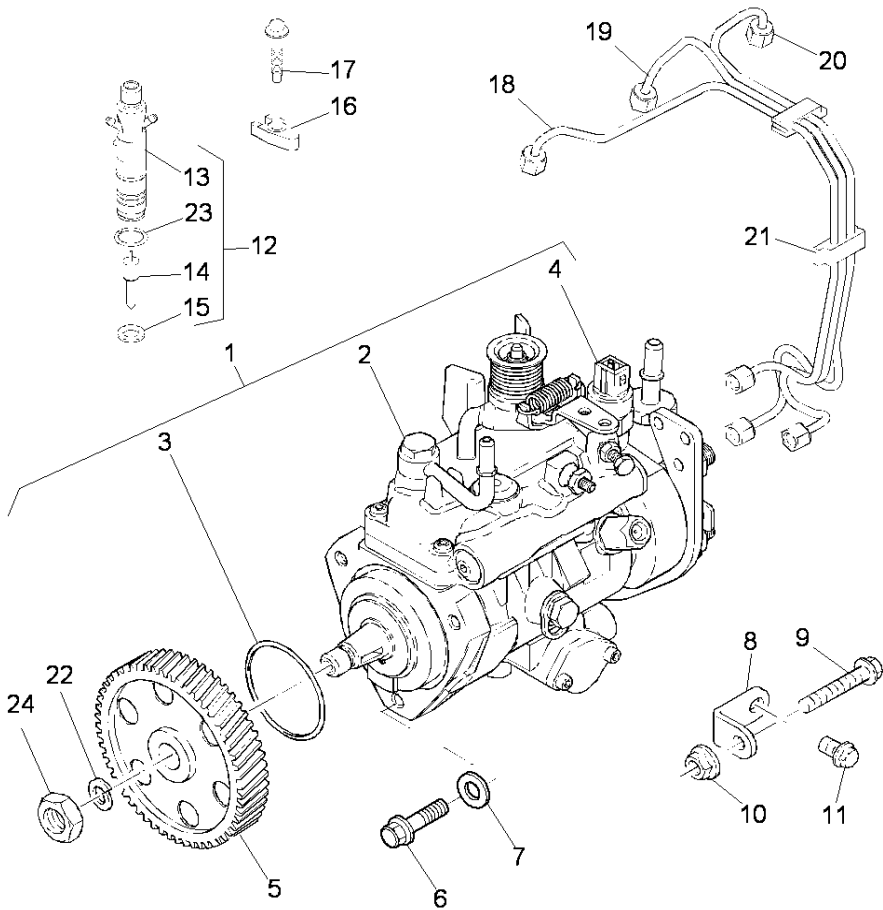
A-05  
09



A0509

Fuel injection equipment (diesel)

RS51\00040017.png



Inglese

18	3525A111			1	Pipe
19	3525A112			1	Pipe
20	3525A113			1	Pipe
21	2646E018			2	Clip
22	K134AF01	!	1	1	Washer
23	26460064	!	12	1	Ring
24	2318A108	!	1	1	Nut

! This is a component of an assembly

Not serviced, order

(X) Qty per tractors sold (aa.bbb.ccc.ddd) (aa) for 1,(bbb) 2-10 (ccc) 11-25 (ddd) 26-50

T-A Replacement

Engine

C-L Europa Tier 3 (2008-2015) - RS51 - C70L

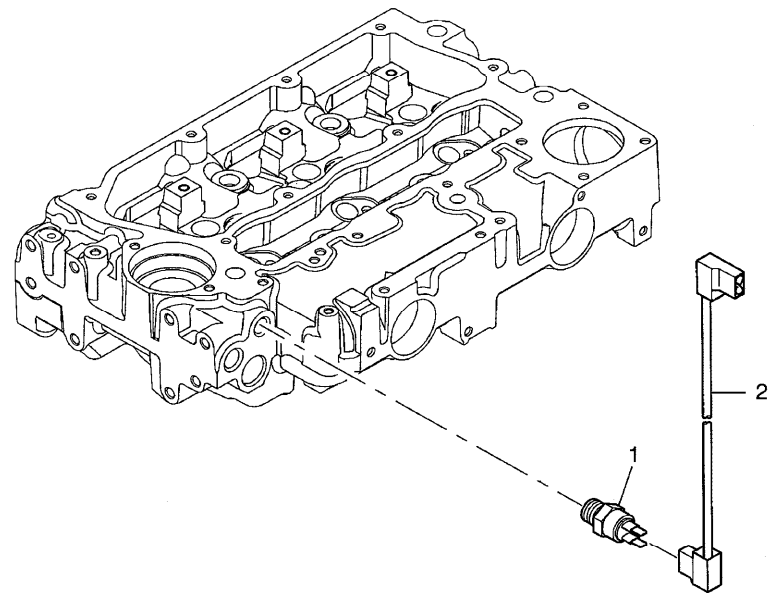
RS51\000015170.png

A-05  
10



A0510

Sensor pickup



- 1 2848A123 A
  - 2 3161C017 T-A 0:50
- T-A Replacement  
A Water temperature

Inglese

- 1 Sensor
- 1 Cable

Engine

C-L Europa Tier 3 (2008-2015) - RS51 - C70L

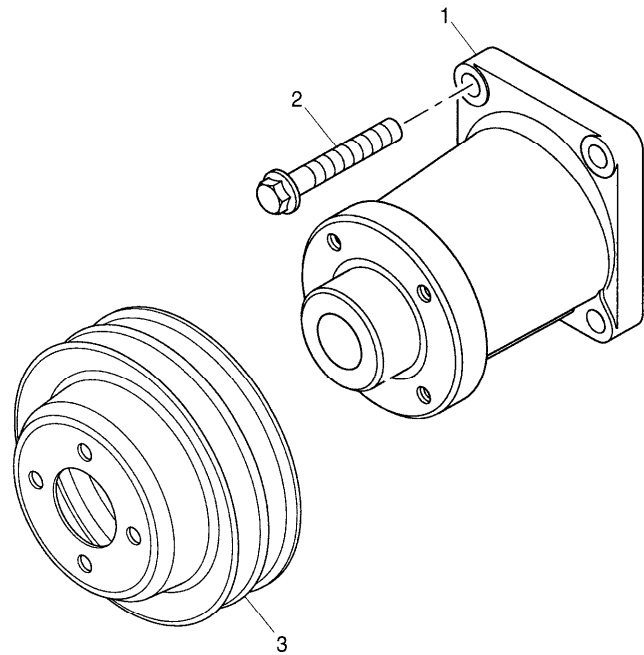
RS51\000020531.png

**A-05**  
**11**



A0511

Fan-type pulley



- 1 4113K005 T-A 1:75
  - 2 2314J005
  - 3 3115C113
- T-A Replacement

**Inglese**

- 1 Housing
- 4 Screw
- 1 Pulley

Engine

C-L Europa Tier 3 (2008-2015) - RS51 - C70L

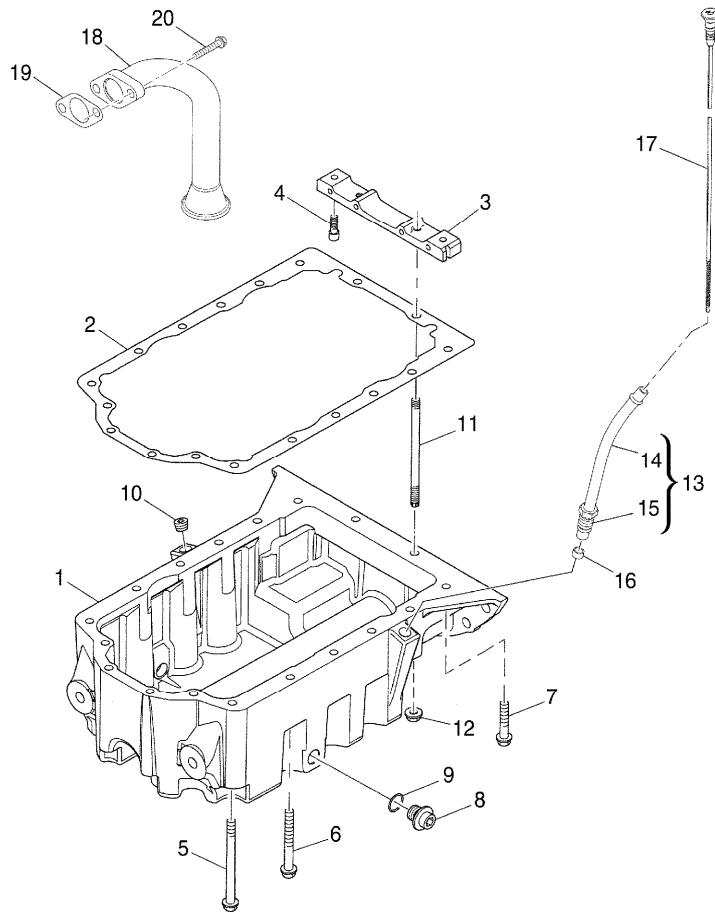
RS51\000020608.png

A-05  
12



A0512

Lubricating oil sump

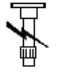


		Inglese
1	3717C142	1 Sump
2	3681K038 (X) 1.5.8.1	1 Gasket
	T-A 1:50	
3	3627P041 T-A 1:50	1 Crosspiece
4	2311D039	2 Screw
5	2314H022 ● 2314H052(6)	6 Screw
6	2314H015	8 Screw
7	2314K159	2 Screw
8	32186405 T-A 0:25	2 Plug
9	2415715 T-A 0:25	2 Ring
10	2431A016	1 Plug
11	3211P022	2 Stud
12	2318A603	2 Nut
13	3577A159	1 Pipe
14	! 13	1 Pipe
	➡ Ref.n.13	
15	3353D005 ! 13	1 Nut
16	33812116	1 Olive
17	3178C081	1 Rod
18	3575A064 T-A 1:50	1 Pipe
19	36832137 T-A 1:50	1 Gasket
20	2314H004	2 Screw
!	This is a component of an assembly	
➡	Not serviced, order	
●	Replacement	

Engine

C-L Europa Tier 3 (2008-2015) - RS51 - C70L

**A-05**  
**12**

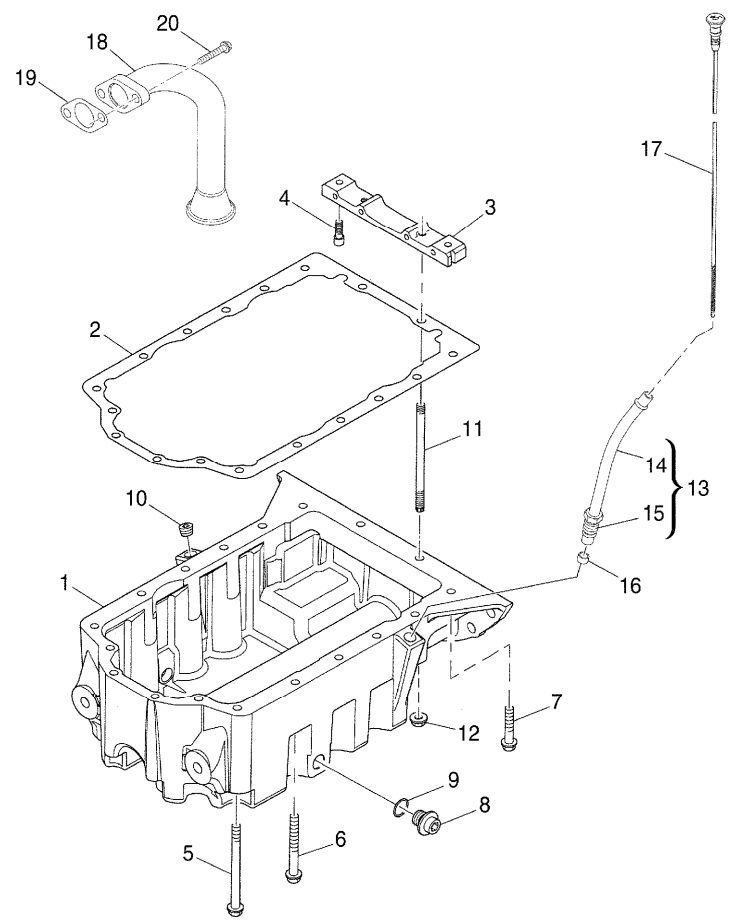


A0512

Lubricating oil sump

RS51\000020608.png

(X) Qty per tractors sold (aa.bbb.ccc.ddd) (aa) for 1,(bbb) 2-10 (ccc) 11-25 (ddd) 26-50  
T-A Replacement



Engine

C-L Europa Tier 3 (2008-2015) - RS51 - C70L

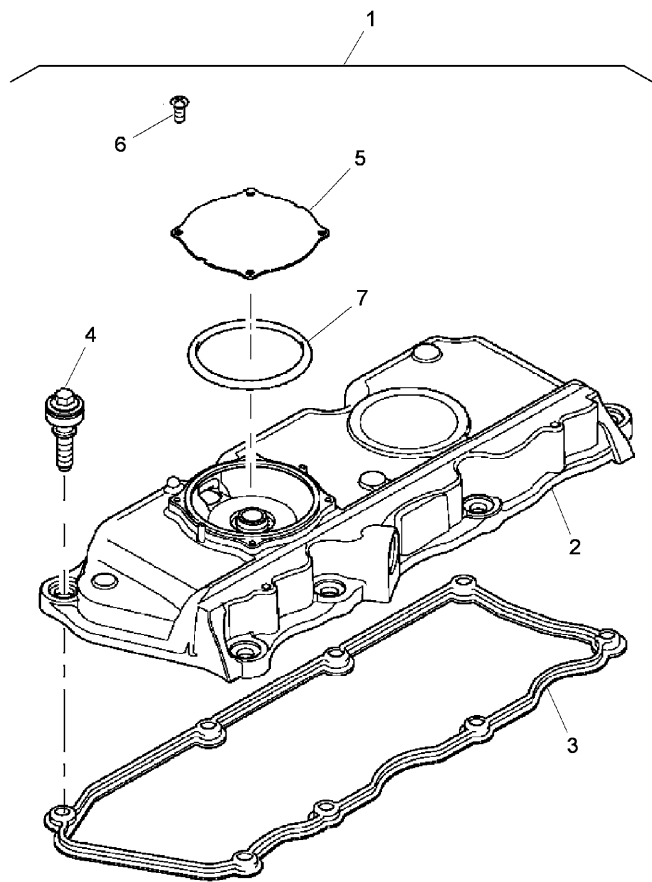
**A-05  
13**



A0513

Cylinder head cover

RS51\00008837.png



			Inglese
1	4142X394		1 Coperch.
2		! 1	1 Cover
		➡ Ref.n.1	
3	3681A057	! 1	1 Gasket
		(X) 1.2.5.1	
		T-A 1:0	
4	2161A013	! 1	8 Screw
5	3615A034	! 1	1 Support
6	2152A034	! 1	4 Screw
7	3789A004	! 1	1 Gasket
	!	This is a component of an assembly	
	➡	Not serviced, order	
	(X)	Qty per tractors sold (aa.bbb.ccc.ddd) (aa) for 1,(bbb) 2-10 (ccc) 11-25 (ddd) 26-50	
	T-A	Replacement	

Engine

C-L Europa Tier 3 (2008-2015) - RS51 - C70L

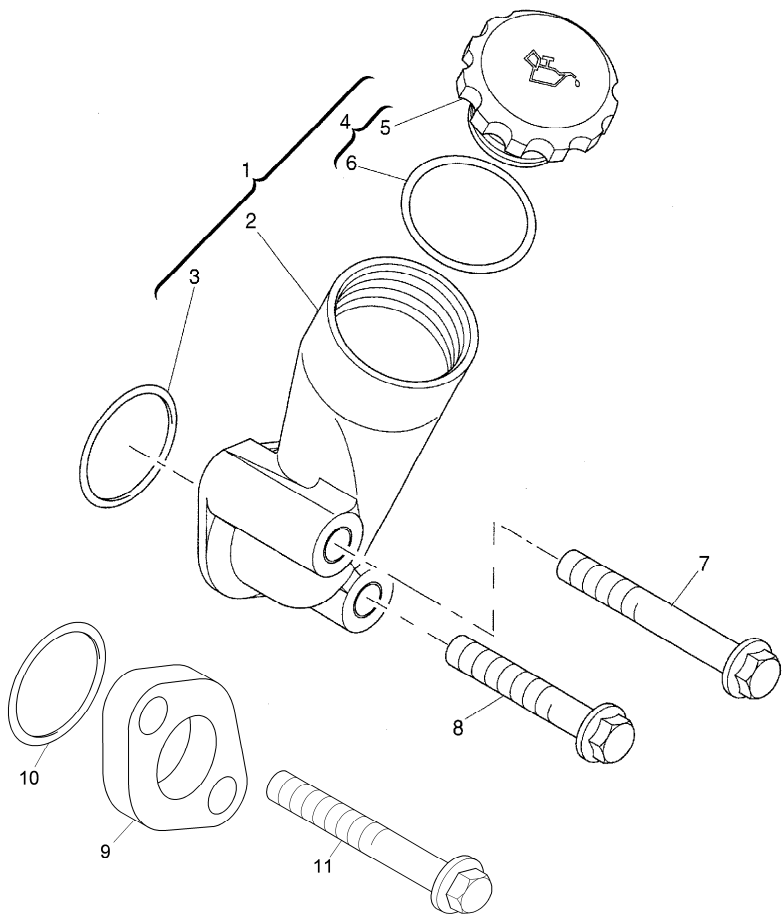
RS51\00040474.png

**A-05**  
**14**



A0514

Filler



		Inglese
1	4134C073	1 Filler
2	! 1	1 Body
	➡ Ref.n.1	
3	2415H651 ! 1	1 Ring
4	4142X098 ! 1	1 Plug
	T-A 0:25	
5	! 4	1 Plug
	➡ Ref.n.4	
6	2415633 ! 4	1 O ring
	T-A 0:25	
7	2314K161	1 Screw
8	2314H008	1 Screw
9	6508199M1	1 Spacer
10	1006335M1 ● 1441977X1(1)	1 Ring
11	3009204X1 M8x80	1 Screw
!	This is a component of an assembly	
➡	Not serviced, order	
●	Replacement	
T-A	Replacement	

Engine

C-L Europa Tier 3 (2008-2015) - RS51 - C70L

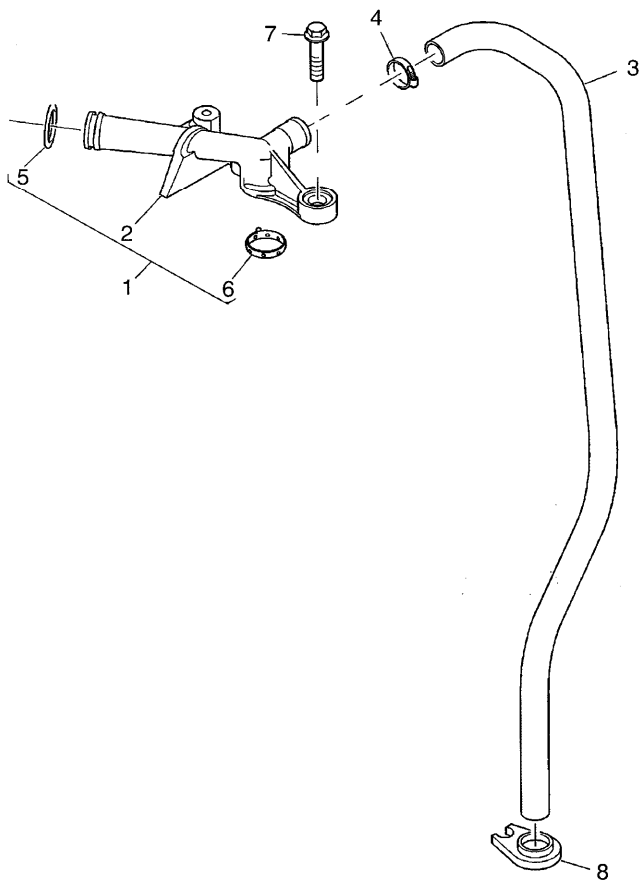
RS51\000015157.png

A-05  
15



A0515

Breather



		Inglese	
1	4134K022		1 Pipe
2		! 1	1 Pipe
		➡ Ref.n.1	
3	3482V094		1 Pipe
4	2481863	● 21825195(1)	1 Clamp
5	2415A068	! 1	1 Ring
		T-A 0:50	
6	2415H701	! 1	1 Ring
7	2314F005		2 Screw
8	36241123		1 Support
	!	This is a component of an assembly	
	➡	Not serviced, order	
	●	Replacement	
	T-A	Replacement	

Engine

C-L Europa Tier 3 (2008-2015) - RS51 - C70L

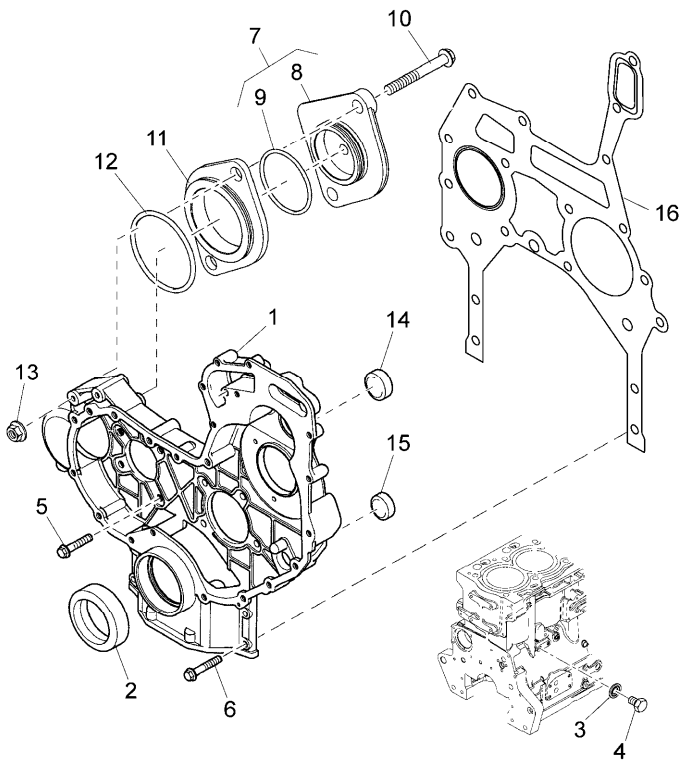
A-05  
16



A0516

Gasket sets

RS51\000015158.png



		Inglese
1	3716C581	1 Housing
2	2418F437	1 Seal
3	2415D053	1 Washer
4	2314C049	1 Screw
5	2314H003	8 Screw
6	2314H034	4 Screw
7	4148K012	1 Plate
8	!	7
	➡	Ref.n.7
9	2415H515	! 7
10	2314J014	2 Screw
11	3617a044	T-A 4:75
12	2415H516	1 O ring
13	2318A604	2 Nut
14	2485A124	T-A 4:75
15	2485A124	T-A 4:75
16	3681P053	1 Gasket

! This is a component of an assembly  
 ➡ Not serviced, order  
 T-A Replacement

Engine

C-L Europa Tier 3 (2008-2015) - RS51 - C70L

RS51\000020612.png

A-05  
17



A0517

Cylinder head cover

Inglese

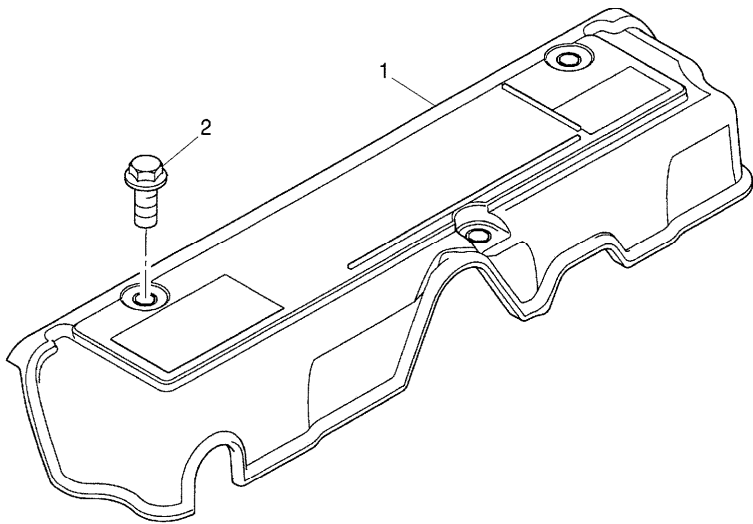
1 3788N004 T-A 0:50

2 2314F003

T-A Replacement

1 Guard

3 Screw





**Suggest:**

**For more complete manuals. Please go to the home page.**

**<https://www.ebooklibonline.com>**

**If the above button click is invalid. Please download this document first, and then click the above link to download the complete manual.**

**Thank you so much for reading**

Engine

C-L Europa Tier 3 (2008-2015) - RS51 - C70L

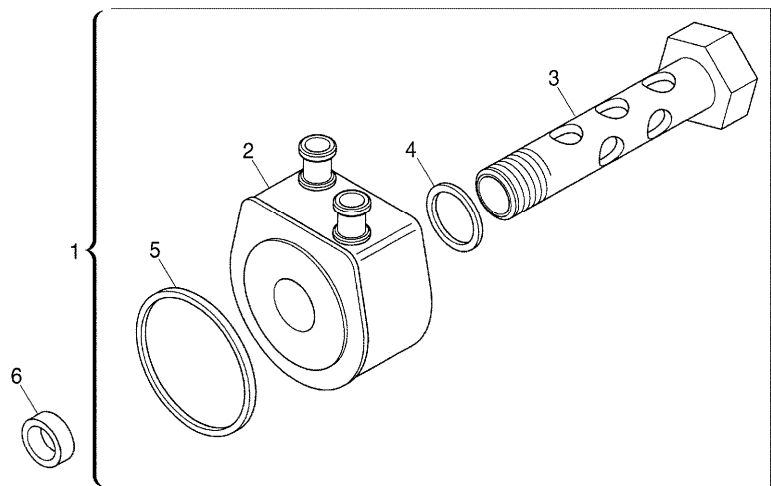
RS51\000020613.png

A-05  
18



A0518

Oil radiator



		Inglese	
1	2486A221	● 2486A241(1)	1 Cooler
		T-A 1:0	
2		! 1	1 Cooler
		➡ Ref.n.1	
3	2486A224	! 1	1 Adaptor
		T-A 1:0	
4	2411A524	! 1	1 Gasket
		● 2411A525(1)	
5	2486A223	! 1	1 Gasket
		(X) 1.2.5.	
		T-A 1:0	
6	3311A042		1 Seal
		! This is a component of an assembly	
		➡ Not serviced, order	
		● Replacement	
		(X) Qty per tractors sold (aa.bbb.ccc.ddd) (aa) for 1,(bbb) 2-10 (ccc) 11-25 (ddd) 26-50	
		T-A Replacement	

Engine

C-L Europa Tier 3 (2008-2015) - RS51 - C70L

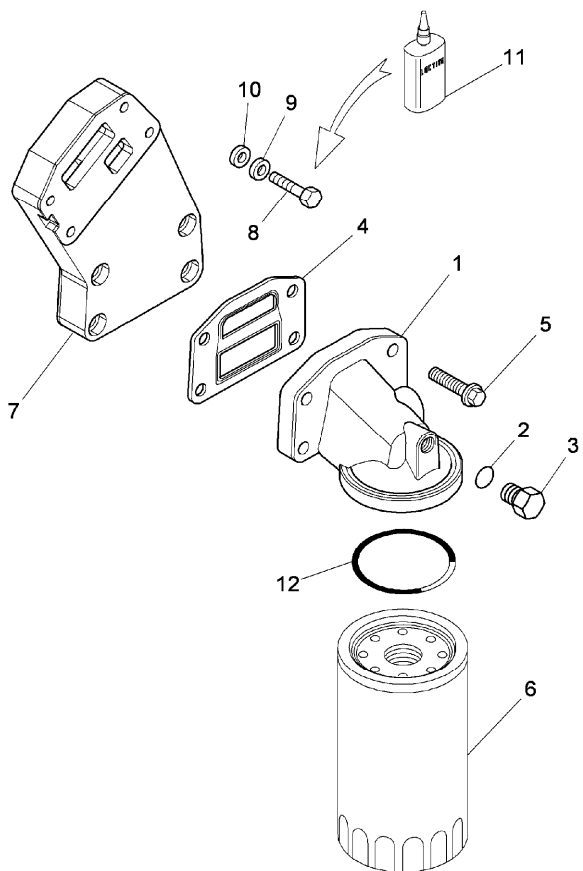
RS51\00040133.png

**A-05  
19**



A0519

Lubricating oil filter



		Inglese
1	3773A061	1 Head
2	2415H009	1 O ring
3	3278A007	1 Plug
4	3688A039 (X) 2.5.8.1 T-A 0:50	1 Gasket
5	2314H034	4 Screw
6	⊕ A-05 20 01	1 Filter
7	3670728M1	1 Support
8	1440349X1 ◀▶ M8x30	4 Screw
8	339011X1 ◀▶ M8x45	4 Screw
9	390972X1 ● Substitutions error	4 Washer
10	1440313X1 ● Substitutions error	4 Lock washer
11	3663814M1 ● 1427801M2(999)	999 Loctite
12	3672135M1	2 Gasket
⊕	See page - reference number	
◀▶	Length	
●	Replacement	
(X)	Qty per tractors sold (aa.bbb.ccc.ddd) (aa) for 1,(bbb) 2-10 (ccc) 11-25 (ddd) 26-50	
T-A	Replacement	

**<https://www.ebooklibonline.com>**

Hello dear friend!

Thank you very much for reading.

Enter the link into your browser.

The full manual is available for immediate download.

**<https://www.ebooklibonline.com>**