

Engine

C-I Europa Tier 2 (2007-2008) - RS50 - 75

RS50\000030.400.png

A-05
01

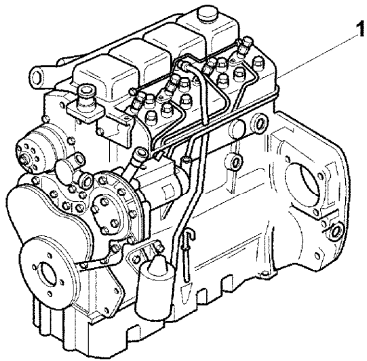


A0501

Engine assembly

1 3692788M93

Inglese
1 Engine



Engine

C-I Europa Tier 2 (2007-2008) - RS50 - 75

RS50\000031.989.png

**A-05
015**



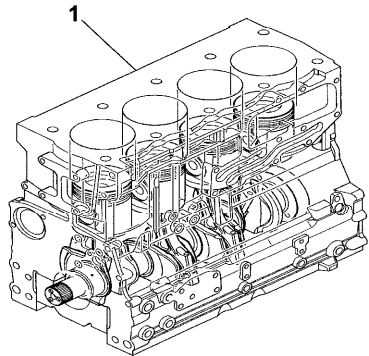
A05015

Short engine

1 RK40005

Inglese

1 Short engine



Engine

C-I Europa Tier 2 (2007-2008) - RS50 - 75

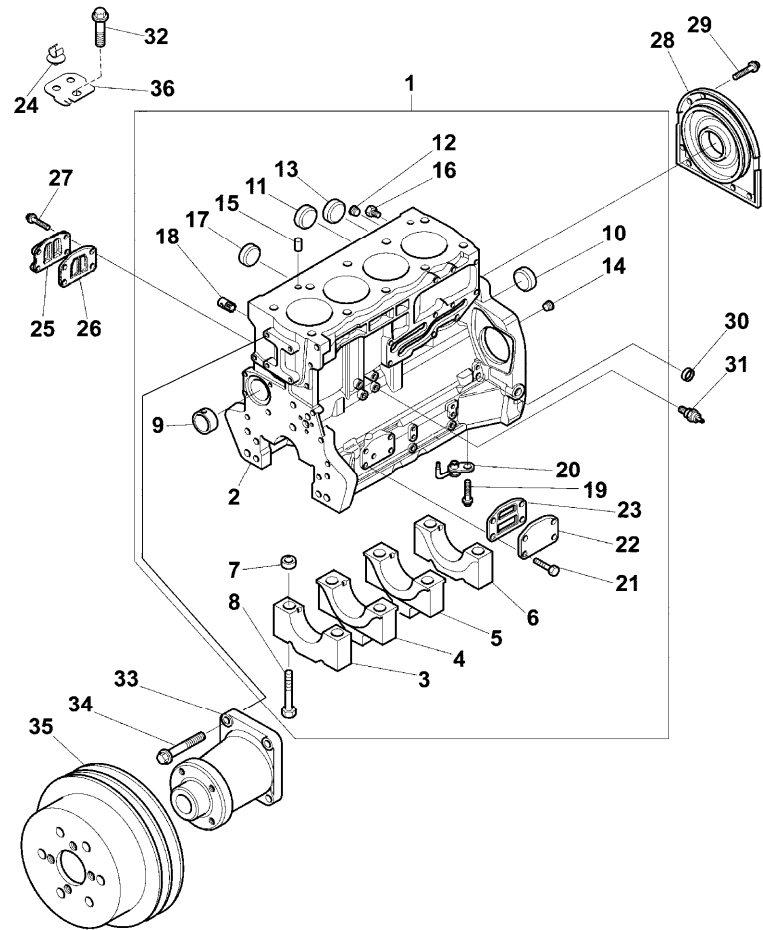
RS50\000031.990.png

A-05
02



A0502

Cylinder block



		Inglese	
1	ZZ50312	● ZZ50325(1) T-A 30:50	1 Kit
2		! 1	1 Cylinder
3		➤ Zz50312 ! 1	1 Bearing
4		➤ Zz50312 ! 1	1 Bearing
5		➤ Zz50312 ! 1	1 Bearing
6		➤ Zz50312 ! 1	1 Bearing
7	33142111	! 1	8 Manicott
8	32166329	! 1	8 Screw
9	3112D071	! 1	1 Bush
10	3241A012	● 3112D075(1) ! 1	1 Plug
11	3241A011	! 1	2 Plug
12	0650588	! 1	1 Plug
13	0650710	! 1	1 Plug
14	3212P008	! 1	1 Plug
15	3244A009	! 1	2 Dowel
16	32141316	! 1	2 Plug
17	2485A108	! 1	1 Plug
18	3212V006	! 1	1 Plug

<https://www.ebooklibonline.com>

Hello dear friend!

Thank you very much for reading.

Enter the link into your browser.

The full manual is available for immediate download.

<https://www.ebooklibonline.com>

Engine

C-I Europa Tier 2 (2007-2008) - RS50 - 75

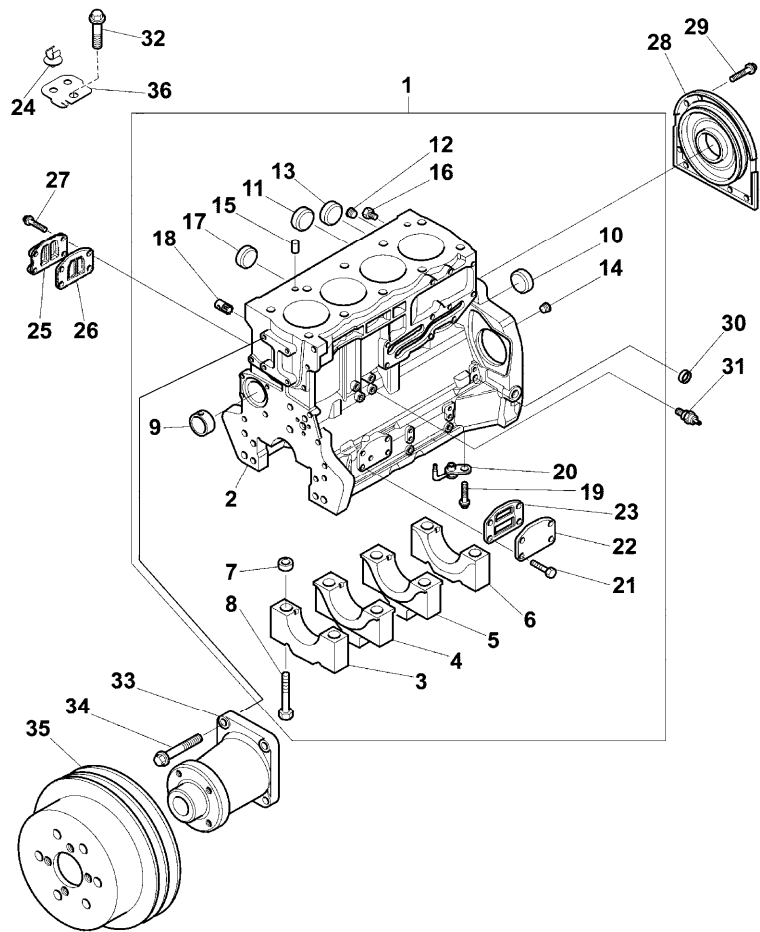
RS50\000031.990.png

A-05
02



A0502

Cylinder block



		Inglese			
19	2314F001	!	1	4	Screw
20	2113A001	!	1	4	Atomiser
		●	2113A003(4)		
21	2314H033	!	1	4	Screw
22	3623A009	!	1	1	Plate
		T-A	0:50		
23	3688A039	!	1	1	Gasket
		T-A	0:50		
24	2481D456			1	Clip
25	3753A071	T-A	0:50	1	Coperch.
26	3688A041	T-A	0:50	1	Ring
27	2314H034			4	Screw
28	2418F704	(X)	1.3.6.1	1	Housing
		T-A	11:0		
29	3211C002			10	Screw
30	2485A109			1	Plug
31	2848062	●	4172E054(1)	1	Switch
		T-A	0:25		
32	2314H002			1	Screw
33	4113K005	T-A	2:0	1	Housing
34	2314J005			4	Screw
35	3115C111	T-A	2:0	1	Pulley
36	3653A017			1	Stirrup

! This is a component of an assembly

🔧 Not serviced, order

● Replacement

Engine

A-05
02

Cylinder block

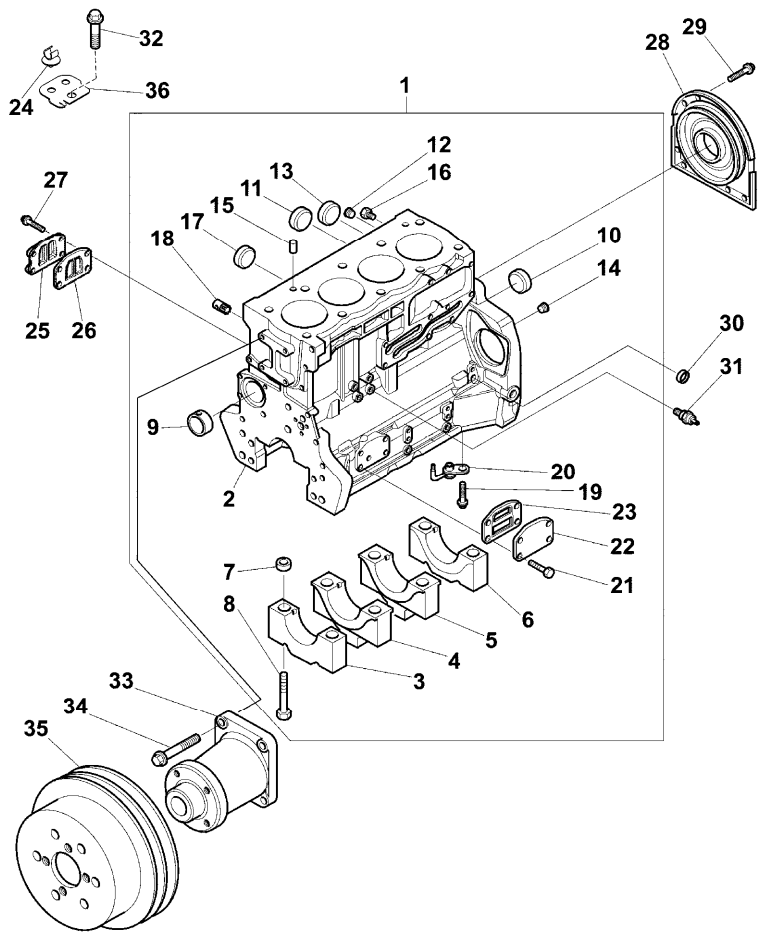
C-I Europa Tier 2 (2007-2008) - RS50 - 75



A0502

RS50\000031.990.png

(X) Qty per tractors sold (aa.bbb.ccc.ddd) (aa) for 1,(bbb) 2-10 (ccc) 11-25 (ddd) 26-50
T-A Replacement



Engine

C-I Europa Tier 2 (2007-2008) - RS50 - 75

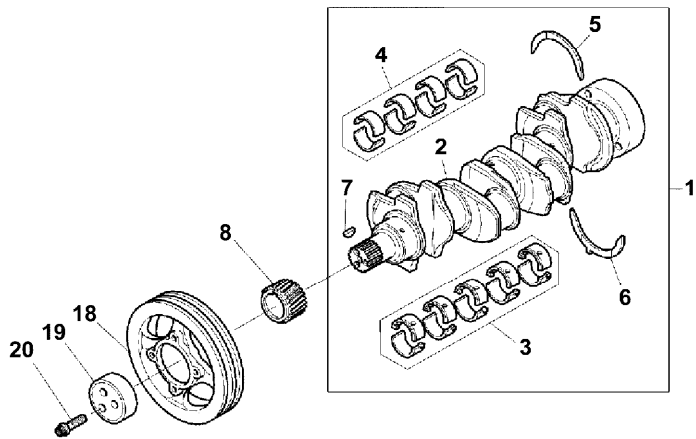
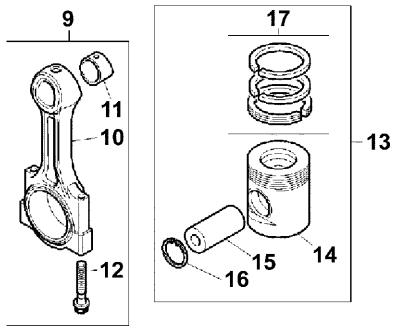
RS50\000032.095.png

A-05
03



A0503

Crankshaft, pistons and connecting rods



Inglese

1	ZZ90224	➔	U491476 t	1	Kit
		●	ZZ90239(1)		
		T-A	18:50		
1	ZZ90237	➔	U491477 t	1	Shaft
2		!	1	1	Crankshaft
		➔	Zz90224		
3	U5MB0018	!	1	1	Kit
		●	U5MB0033(1)		
		T-A	18:50		
3	U5MB0018A	⚡	(+).010"	1	Kit
		!	1		
		●	U5MB0033A(1)		
		T-A	18:50		
3	U5MB0018B	⚡	(+).020"	1	Kit
		!	1		
		●	U5MB0033B(1)		
3	U5MB0018C	⚡	(+).030"	1	Kit
		!	1		
		●	N.L.A.(1)		
		T-A	18:50		
4	T400002	!	1	1	Kit
		➔	U491477 t		
		●	T410927(1)		

Engine

C-I Europa Tier 2 (2007-2008) - RS50 - 75

A-05
03

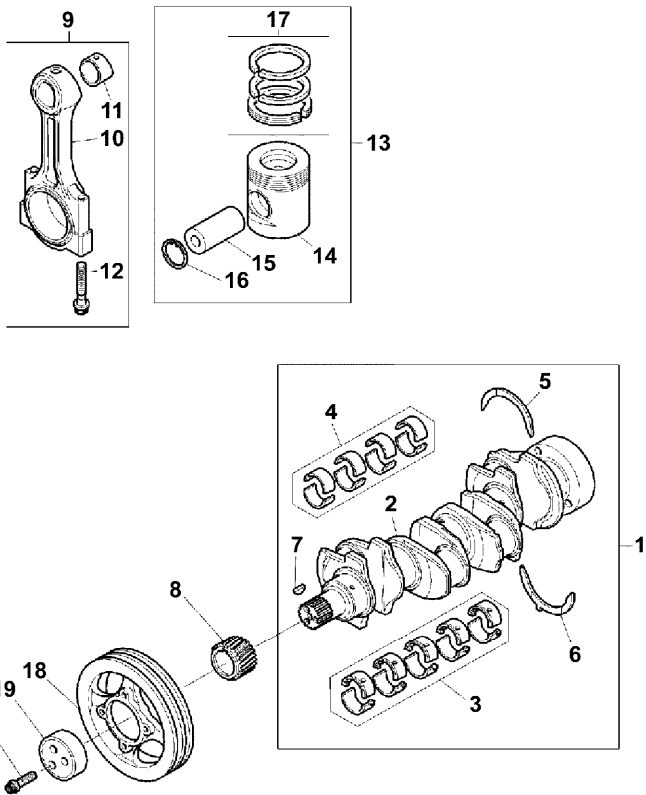


A0503

Crankshaft, pistons and connecting rods

RS50\000032.095.png

Inglese



4	U5ME0026	!	1	1 Kit
		➔	U491476 t	
		●	U5ME0034(1)	
		(X)		
		T-A	18:50	
5	31137312	⚡	(+)0.007"	2 Ring
		!	1	
		T-A	18:50	
5	31137551	!	1	2 Washer
		T-A	18:50	
6	31137322	⚡	(+)0.007"	2 Ring
		!	1	
		T-A	18:50	
6	31137561	!	1	2 Washer
		T-A	18:50	
7	0500012	!	1	1 Key
8	3117C221	T-A	13:0	1 Gear
9	4115C311	➔	U491477 t	4 Kit
		D		
		T-A	17:0	
9	4115C312	➔	U491477 t	4 Kit
		E		
		T-A	17:0	
9	4115C313	➔	U491477 t	4 Kit
		F		

Engine

C-I Europa Tier 2 (2007-2008) - RS50 - 75

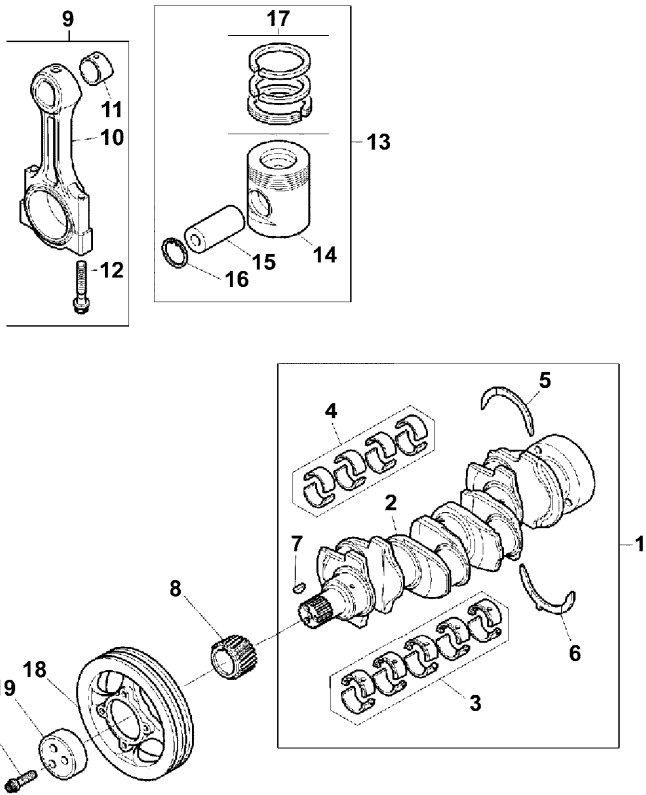
RS50\000032.095.png

A-05
03



A0503

Crankshaft, pistons and connecting rods



Inglese

9	4115C314	➡	U491477 t	4	Kit
			C		
			T-A 17:0		
9	4115C315	➡	U491477 t	4	Kit
			B		
			T-A 17:0		
9	4115C316	➡	U491477 t	4	Kit
			A		
			T-A 17:0		
9	4115C361	➡	U491478 t	4	Conrod
			D		
9	4115C362	➡	U491478 t	4	Conrod
			E		
9	4115C363	➡	U491478 t	4	Conrod
			F		
9	4115C364	➡	U491478 t	4	Conrod
			C		
9	4115C365	➡	U491478 t	4	Conrod
			B		
9	4115C366	➡	U491478 t	4	Conrod
			A		
10		!	9	1	Conrod
			➡	Ref.n.9	
11	3112A005	!	9	1	Bush
			T-A 17:0		
12	3212V003	!	9	2	Screw

Engine

C-I Europa Tier 2 (2007-2008) - RS50 - 75

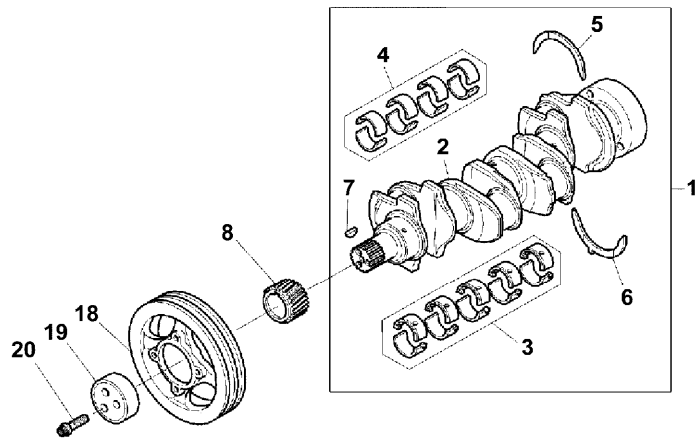
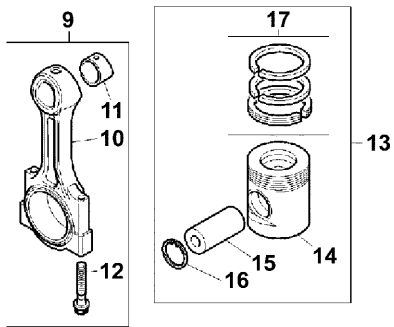
RS50\000032.095.png

A-05
03



A0503

Crankshaft, pistons and connecting rods



Inglese

13	4115P011	T-A	17:0	4	Kit
13	4115P012	⚡	(+)0.50mm	4	Kit
13	4115P013	⚡	(+)1.00mm	4	Kit
14		!	13	1	Piston
		➡	4115p011		
15		!	13	1	Pin
		➡	4115p011		
16	2721332	!	13	2	Ring
17	UPRK0003	!	13	1	Kit
		(X)	1.3.6.1		
		T-A	17:0		
18	3115T051	T-A	2:0	1	Pulley
19	3241N001	T-A	2:0	1	Block
20	32186137			3	Screw

! This is a component of an assembly

➡ From serial or engine number

➡ Up to serial or engine number

➡ Not serviced, order

⚡ Shim

● Replacement

(X) Qty per tractors sold (aa.bbb.ccc.ddd) (aa) for 1,(bbb) 2-10 (ccc) 11-25 (ddd) 26-50

T-A Replacement

A Blue

B Purple

C Green

D Red

E Orange

F White

Engine

C-I Europa Tier 2 (2007-2008) - RS50 - 75

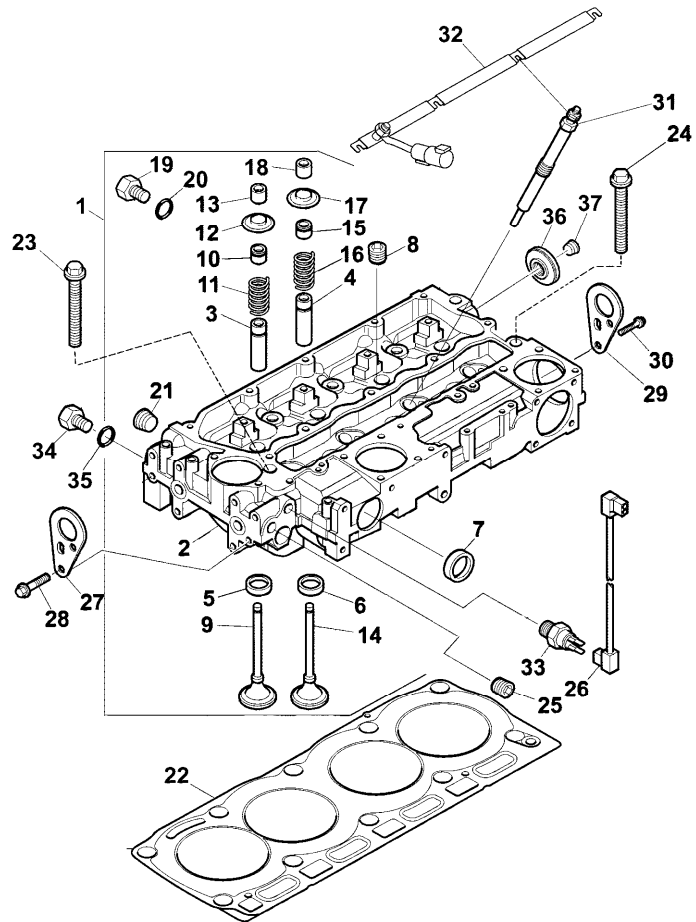
RS50\000031.991.png

A-05
04



A0504

Cylinder head



		Inglese
1	ZZ80270	1 Cylinder head
2	! 1	1 Head
	➡ Zz80270	
3	3313E021	4 Guide
	● 3313A012(4)	
	T-A 7:50	
4	3313E021	4 Guide
	! 1	
	● 3313A012(4)	
	T-A 7:50	
5	3314A151	4 Insert
	! 1	
	● 3314A241(4)	
	T-A 7:50	
6	3314A161	4 Insert
	! 1	
	● 3314A231(4)	
	T-A 7:50	
7	32416117	2 Plug
	! 1	
	T-A 1:0	
8	0650588	4 Plug
	! 1	
	T-A 0:50	
9	3142H071	4 Valve
	! 1	
	T-A 7:50	
10	2418M519	4 Ring
	! 1	
	A	
11	3174A016	4 Spring
	! 1	
	T-A 3:0	

Engine

C-I Europa Tier 2 (2007-2008) - RS50 - 75

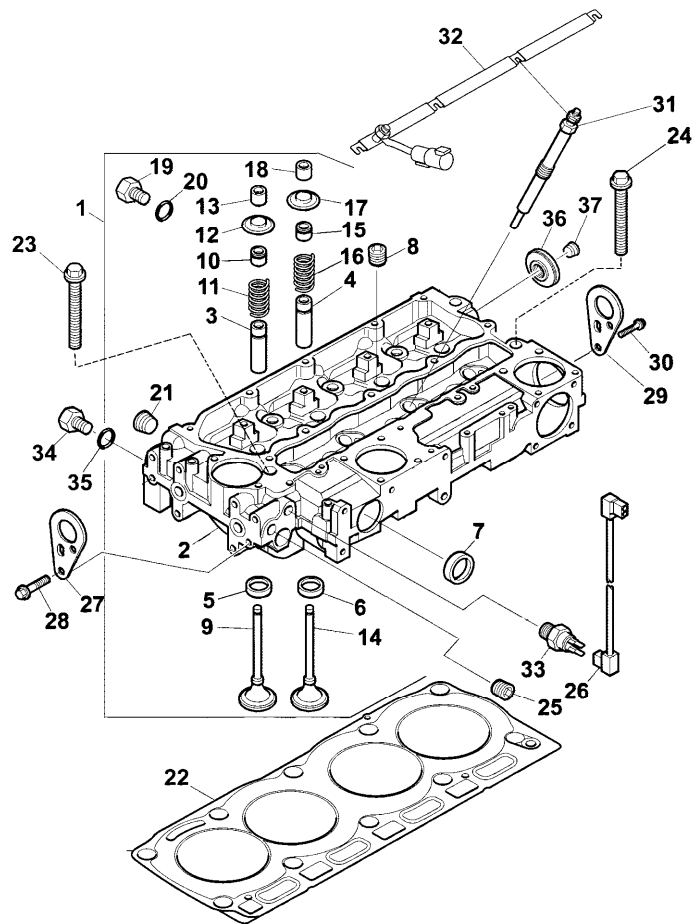
A-05
04



A0504

Cylinder head

RS50\000031.991.png



Inglese

12	3342A011	!	1	4	Cover
		T-A	3:0		
13	3142W004	!	1	8	Cotter
		T-A	3:0		
14	3142A151	!	1	4	Valve
		T-A	7:50		
15	2418M517	!	1	4	Ring
		B			
16	3174A016	!	1	4	Spring
		T-A	3:0		
17	3342A011	!	1	4	Cover
		T-A	3:0		
18	3142W004	!	1	8	Cotter
		T-A	3:0		
19	3278A006	!	1	1	Plug
20	2415H003	!	1	1	Ring
21	2431154	!	1	1	Plug
22	3681E051	(X)	1.3.6.1	1	Gasket
23	3218A011			7	Screw
24	3218A012			3	Screw
25	2431154			1	Plug
26	3161C017			1	Cable
27	3617A015			1	Stirrup
28	2314J002			2	Screw
29	3617A015	T-A	3:0	1	Stirrup

Engine

C-I Europa Tier 2 (2007-2008) - RS50 - 75

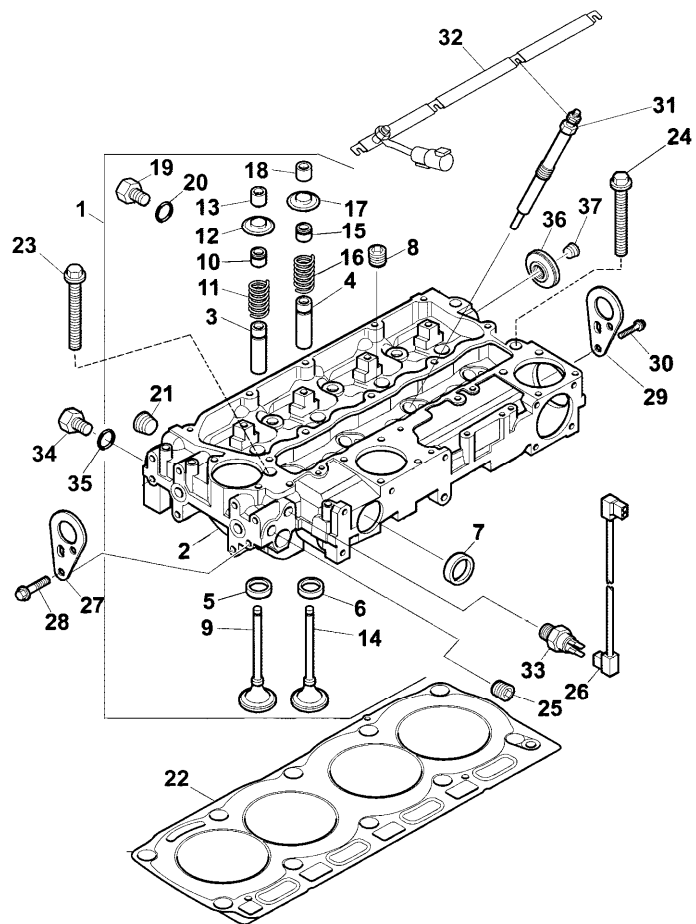
A-05
04



A0504

Cylinder head

RS50\000031.991.png



Inglese

- 30 2314J002 2 Screw
- 31 2666A016 T-A 0:75 4 Spark plug
- 32 3161C019 ● T409642(1) 1 Bar
- 33 2848A127 C 1 Sensor
- T-A 0:25
- 34 3278A006 1 Plug
- 35 2415H003 1 Ring
- 36 3342A701 1 Connection
- 37 2431154 1 Plug

- ! This is a component of an assembly
- ▣ Not serviced, order
- Replacement
- (X) Qty per tractors sold (aa.bbb.ccc.ddd) (aa) for 1,(bbb) 2-10 (ccc) 11-25 (ddd) 26-50
- T-A Replacement
- A Green
- B Brown
- C Engine water temperature

Engine

C-I Europa Tier 2 (2007-2008) - RS50 - 75

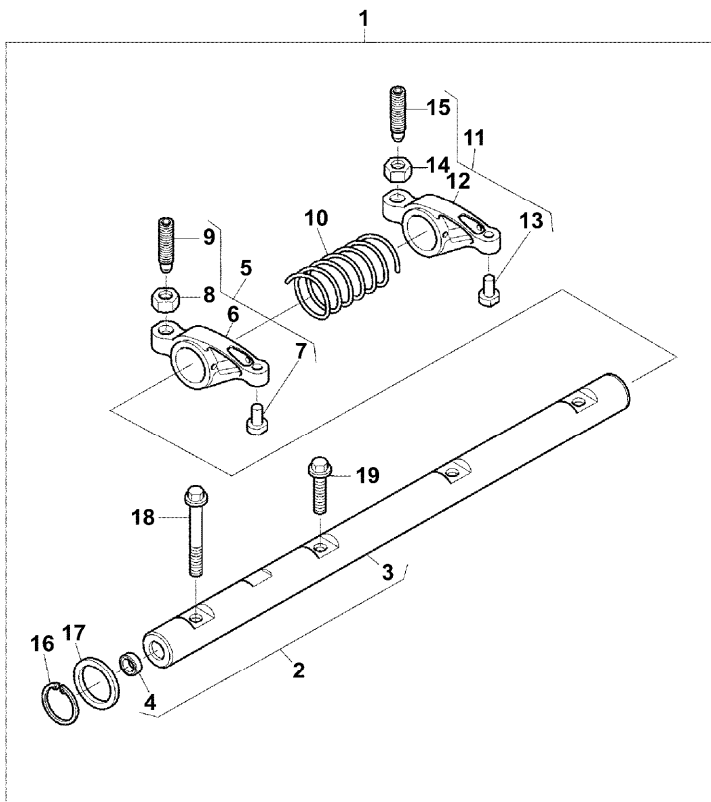
RS50\000030.403.png

A-05
05



A0505

Rocker shaft



			Inglese
1	4115R612	T-A 4:0	1 Shaft
2	4115R703	! 1	1 Shaft
		T-A 4:0	
3		! 2	1 Shaft
		➡ 4115r703	
4	2485A104	! 2	2 Plug
		T-A 4:0	
5	4115R314	! 1	4 Rocker
		T-A 4:0	
6		! 5	1 Rocker
		➡ 4115r314	
7		! 5	1 Shim
		➡ 4115r314	
8	0576052	! 5	1 Nut
9	32114145	! 5	1 Screw
10	3174A015	! 1	3 Spring
		T-A 4:0	
11	4115R315	! 1	4 Rocker
		T-A 4:0	
12		! 11	1 Rocker
		➡ 4115r315	
13		! 11	1 Shim
		➡ 4115r315	
14	0576052	! 11	1 Nut
15	32114145	! 11	1 Screw
		T-A 1:25	

Engine

C-I Europa Tier 2 (2007-2008) - RS50 - 75

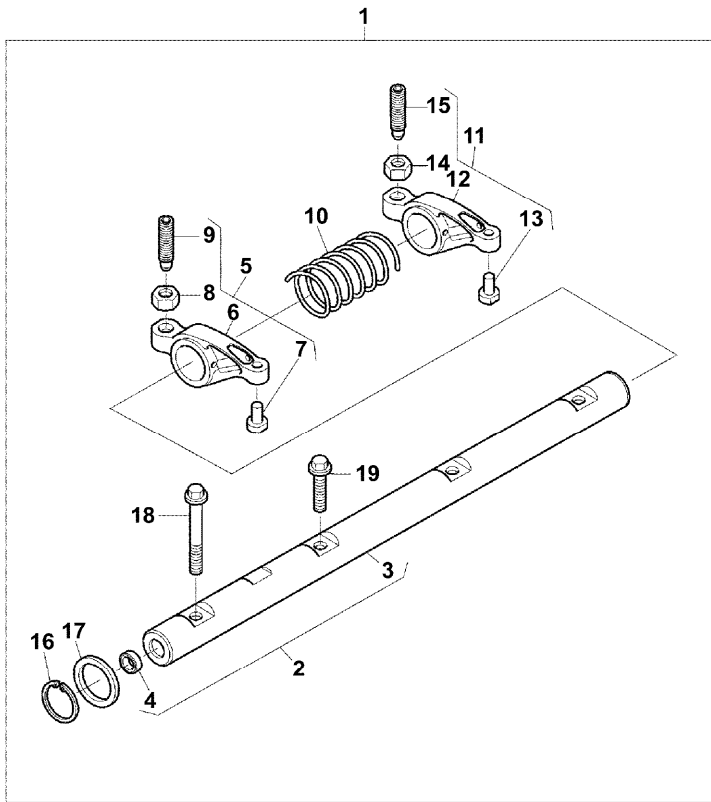
RS50\000030.403.png

A-05
05



A0505

Rocker shaft



- 16 2722A022 ! 1
- 17 2134A502 ! 1
- T-A 4:0
- 18 2316A901 ! 1
- 19 2316A902 ! 1

Inglese

- 2 Ring
- 2 Washer
- 1 Screw
- 3 Screw

! This is a component of an assembly
 Not serviced, order
 T-A Replacement

Engine

C-I Europa Tier 2 (2007-2008) - RS50 - 75

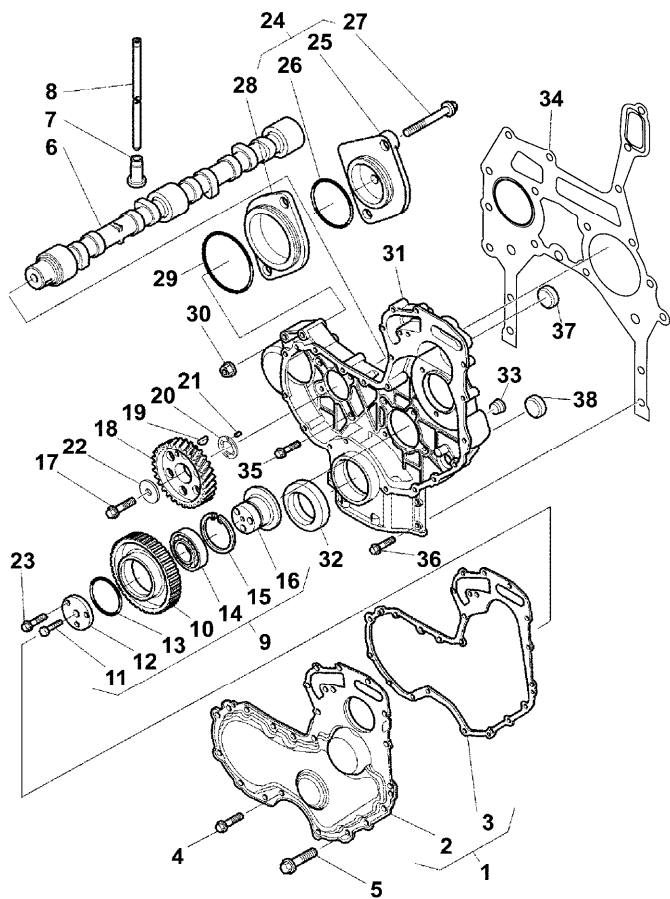
A-05
06



A0506

Timing gear and camshaft

RS50\000031.992.png



		Inglese
1	4142A503	1 Kit
2	! 1	1 Overlay
	➡ 4142a503	
3	3681P046	1 Gasket
	! 1	
	T-A 4:50	
4	2314H002	9 Screw
5	2314H012	5 Screw
6	3141D211	1 Shaft
	● 4112K041(1)	
	T-A 14:0	
7	3142U031	8 Tappet
	● 3142U991(8)	
	T-A 14:25	
8	31434307	8 Rod
	T-A 2:75	
9	4111A028	1 Gear
	● 4111A048(1)	
	T-A 4:75	
10	➡ 4111a028	1 Gear
	! 9	
11	2314C037	1 Screw
	! 9	
12	3241A013	1 Disc
	! 9	
	T-A 4:75	
13	2559A001	2 Washer
	! 9	
	T-A 4:75	
14	2558A501	1 Cuscinet
	! 9	
	T-A 4:75	
15	2721B064	2 Ring
	! 9	
	T-A 4:75	

Engine

C-I Europa Tier 2 (2007-2008) - RS50 - 75

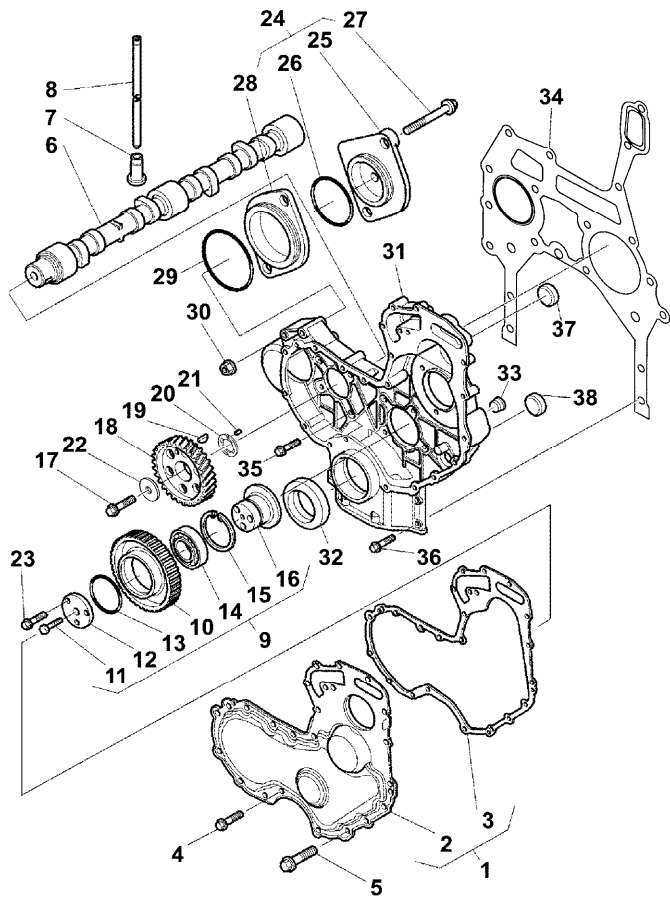
A-05
06



A0506

Timing gear and camshaft

RS50\000031.992.png



		Inglese
16	3272A015	! 9 1 Hub
		T-A 4:75
17	2314J606	1 Screw
18	3117L271	● 3117L272(1) 1 Gear
		T-A 4:75
19	0500012	1 Key
20	3112X011	1 Washer
21	2116053	1 Pin
22	3321A003	1 Washer
23	2314J012	3 Screw
24	4148K012	T-A 4:75 1 Plate
25		➡ 4148k012 ! 24 1 Plate
26	2415H515	! 24 T-A 4:75 1 Ring
27	2314J014	T-A 4:75 2 Screw
28	3617A021	T-A 4:75 1 Disc
29	2415H516	1 O ring
30	2318A604	2 Nut
31	3716C481	T-A 4:75 1 Housing
32	2418F437	(X) 1.3.5.1 1 Seal
33	2431154	1 Plug
33	3617V016	● 3681P053(1) 1 Gasket
34	3681P053	1 Gasket
35	2314H003	8 Screw

Engine

C-I Europa Tier 2 (2007-2008) - RS50 - 75

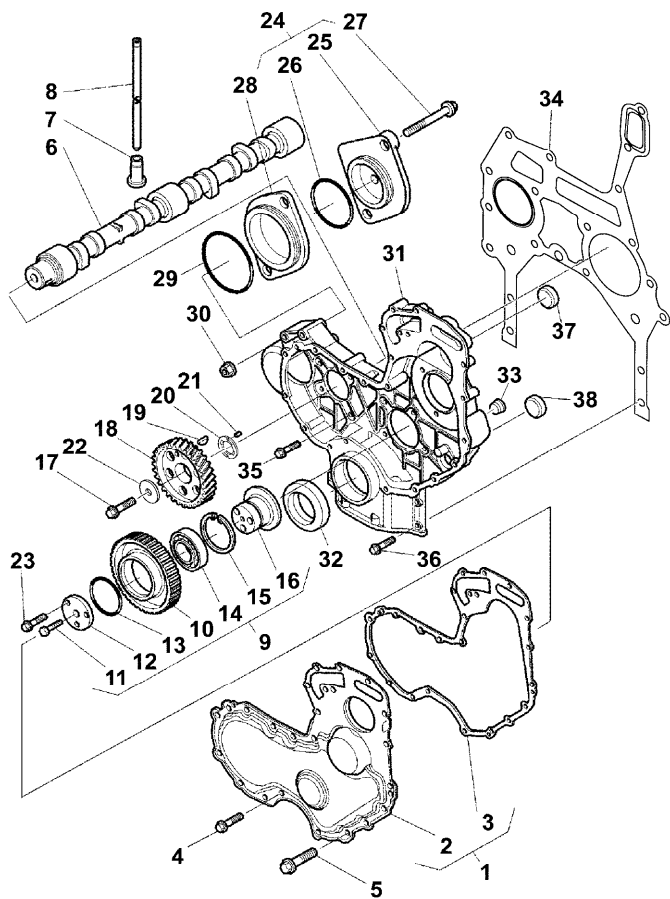
A-05
06



A0506

Timing gear and camshaft

RS50\000031.992.png



Inglese

36 2314H034

4 Screw

37 2485A124

1 Plug

38 2485A118

1 Plug

! This is a component of an assembly

▶ Not serviced, order

● Replacement

(X) Qty per tractors sold (aa.bbb.ccc.ddd) (aa) for 1,(bbb) 2-10 (ccc) 11-25 (ddd) 26-50

T-A Replacement

Engine

C-I Europa Tier 2 (2007-2008) - RS50 - 75

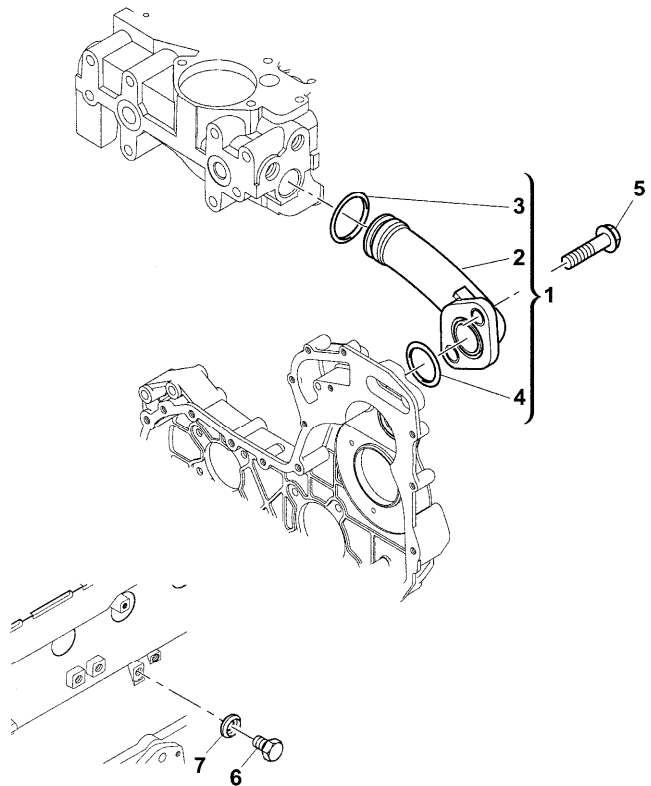
RS50\000032.000.png

A-05
065



A05065

Water outlet and inlet



- 1 4133L048
- 2 ! 1
- 3 2418F002 ! 1
- 4 2418F001 ! 1
- 5 2314H003
- 6 2314C049
- 7 2415D053
- ! This is a component of an assembly
- ▣ Not serviced, order

Inglese

- 1 Connection
- 1 Connection
- 1 Ring
- 1 Ring
- 2 Screw
- 1 Screw
- 1 Washer

Engine

C-I Europa Tier 2 (2007-2008) - RS50 - 75

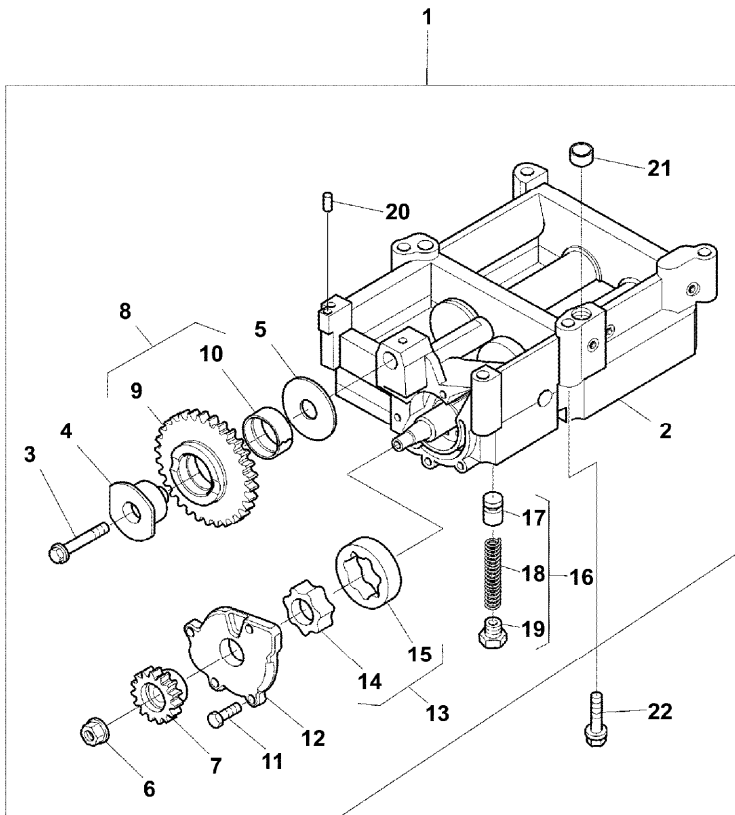
A-05
07



A0507

Oil pump

RS50\000030.405.png



		Inglese	
1	4111K073	T-A 4:0 T-B 5:0	1 Balancer
2	!	1	1 Frame
	➡	4111k073	
3	2314H951	!	1 Screw
4	3272A022	!	1 Shaft
	T-A 5:0		
5	3321A006	!	1 Washer
	T-A 5:0		
6	2318F605	!	1 Nut
7	3117A101	!	1 Gear
	T-A 5:0		
8	4111A029	!	1 Gear
	T-A 5:0		
9	!	8	1 Gear
	➡	4111a029	
10	3112D031	!	1 Cuscinet
	●	N.L.A.(1)	
	T-A 5:0		
11	2314C945	!	5 Screw
12	3753R351	!	1 Cover
	T-A 5:0		
13	4111K068	!	1 Rotor
	T-A 5:0		
14	!	13	1 Rotor
	➡	4111k068	

Engine

C-I Europa Tier 2 (2007-2008) - RS50 - 75

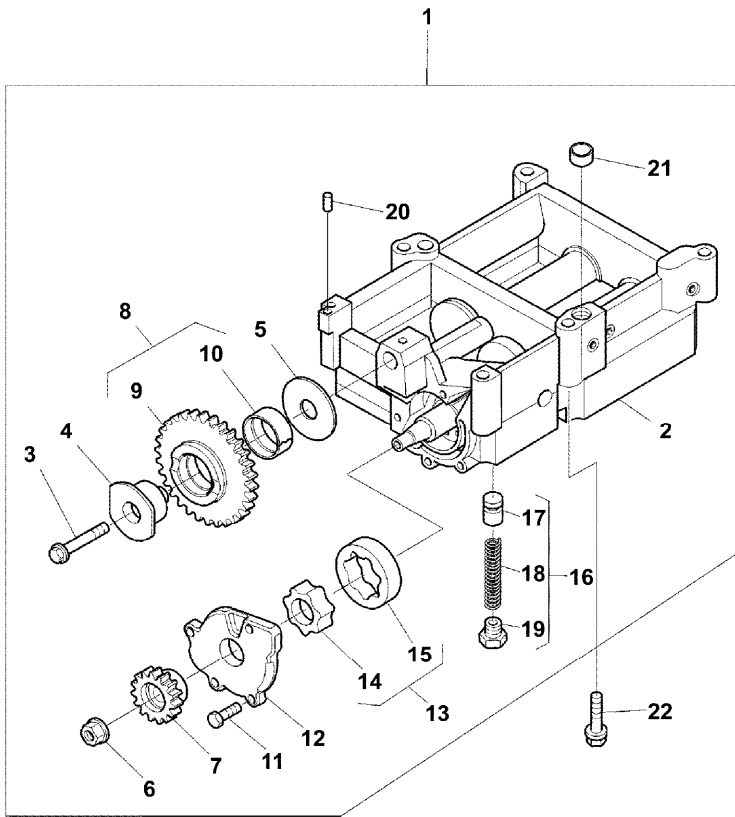
RS50\000030.405.png

**A-05
07**



A0507

Oil pump



		Inglese
15	!	13
	▶	4111k068
16	U5MK0695	!
	T-A	5:0
17	3245A002	!
	T-A	5:0
18	3174A021	!
	T-A	5:0
19	3218A013	!
20	3244A013	!
21	33137409	!
22	2314J012	6

- ! This is a component of an assembly
- ▶ Not serviced, order
- Replacement
- T-A Replacement
- T-B Overhaul



Suggest:

For more complete manuals. Please go to the home page.

<https://www.ebooklibonline.com>

If the above button click is invalid. Please download this document first, and then click the above link to download the complete manual.

Thank you so much for reading

Engine

C-I Europa Tier 2 (2007-2008) - RS50 - 75

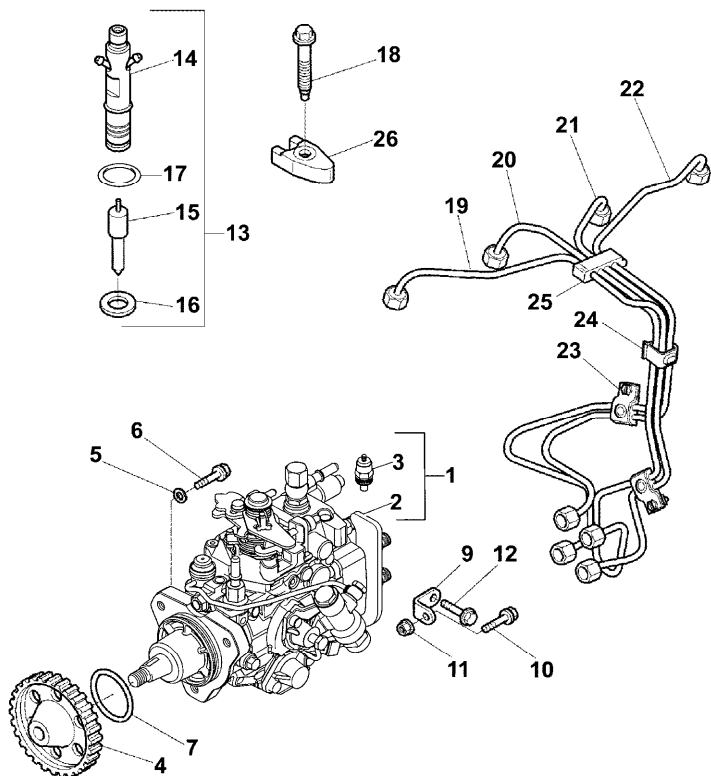
**A-05
08**



A0508

Fuel injection equipment (diesel)

RS50\000031.993.png



				Inglese
1	2644N207	●	N.L.S.(1)	1 Pump
2		!	1	1 Pump
3	26420518	➡	2644n207	
		!	1	1 Solenoid
		(X)	1.3.6.1	
		T-A	0:75	
4	3117L251	T-A	4:50	1 Gear
5	2411D008			3 Washer
6	2314H004			3 Screw
7	2415787	T-A	4:50	1 Ring
8	2487D002	T-A	0:25	1 Cover
9	3641A007			1 Stirrup
10	2314H003			1 Screw
11	2318A603			1 Nut
12	2314J002			1 Screw
13	2645K016	T-A	2:0	4 Atomiser
14		!	13	1 Atomiser
		➡	2645k016	
15	2645K613	!	13	1 Nozzle
		(X)	1.3.6.1	
		T-A	2:0	
16	L311FF02	!	13	1 Washer
		T-A	2:0	
17	26460064	!	13	1 Ring
18	2314W009			4 Screw

Engine

C-I Europa Tier 2 (2007-2008) - RS50 - 75

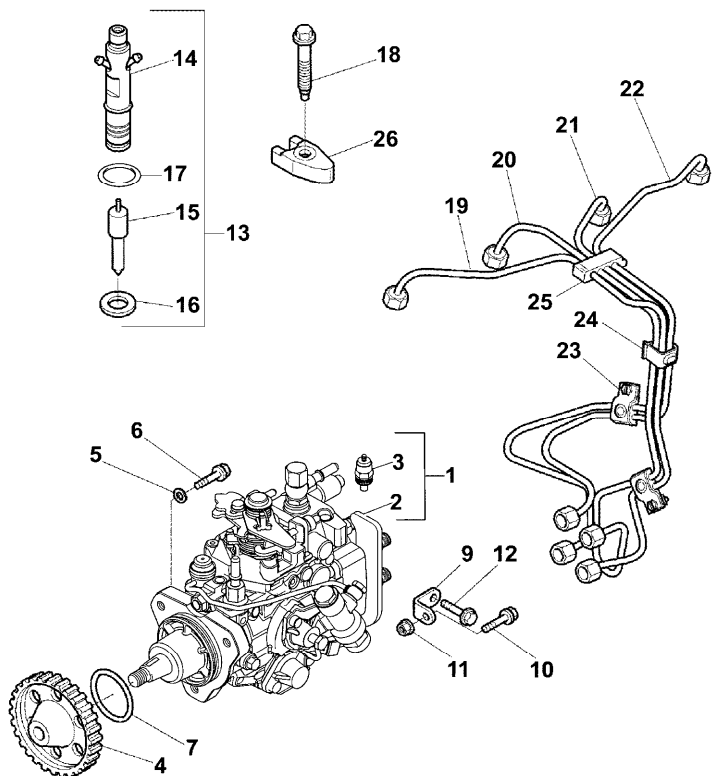
A-05
08



A0508

Fuel injection equipment (diesel)

RS50\000031.993.png



Inglese

19	3525A091	A	1	Pipe
		T-A 0:25		
20	3525A092	A	1	Pipe
		T-A 0:25		
21	3525A093	A	1	Pipe
		T-A 0:25		
22	3525A094	A	1	Pipe
		T-A 0:25		
23	2481Y011	A	2	Clip
24	2481Y012	A	1	Clip
25	2646E019	A	1	Clip
26	3751A241	T-A 2:0	4	Clamp

! This is a component of an assembly

Not serviced, order

Replacement

(X) Qty per tractors sold (aa.bbb.ccc.ddd) (aa) for 1,(bbb) 2-10 (ccc) 11-25 (ddd) 26-50

T-A Replacement

A To be advised

<https://www.ebooklibonline.com>

Hello dear friend!

Thank you very much for reading.

Enter the link into your browser.

The full manual is available for immediate download.

<https://www.ebooklibonline.com>