

Engine

C-I Europa Tier 2 (2007-2008) - RS50 - 70

RS50\00005170.png

**A-05**  
**01**



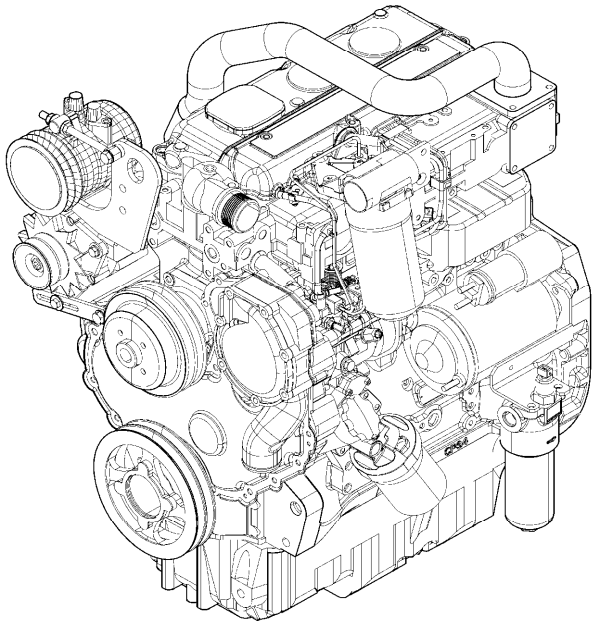
A0501

Engine assembly

1 3675501M92

Inglese  
1 Engine

1



Engine

C-I Europa Tier 2 (2007-2008) - RS50 - 70

RS50\000031.966.png

**A-05  
015**



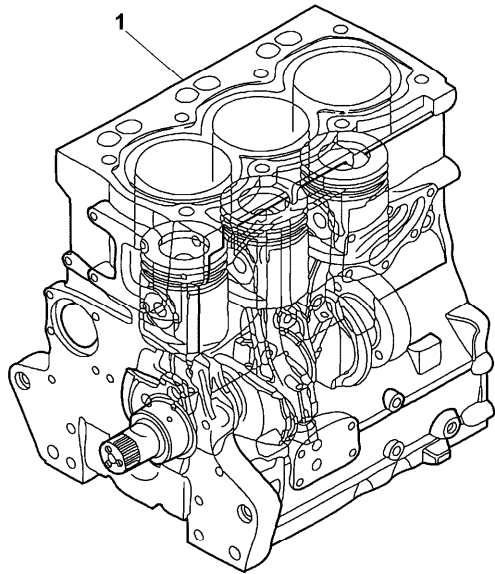
A05015

Short engine

Inglese

1 DD39165 T-A 25:0  
T-A Replacement

1 Engine



Engine

C-I Europa Tier 2 (2007-2008) - RS50 - 70

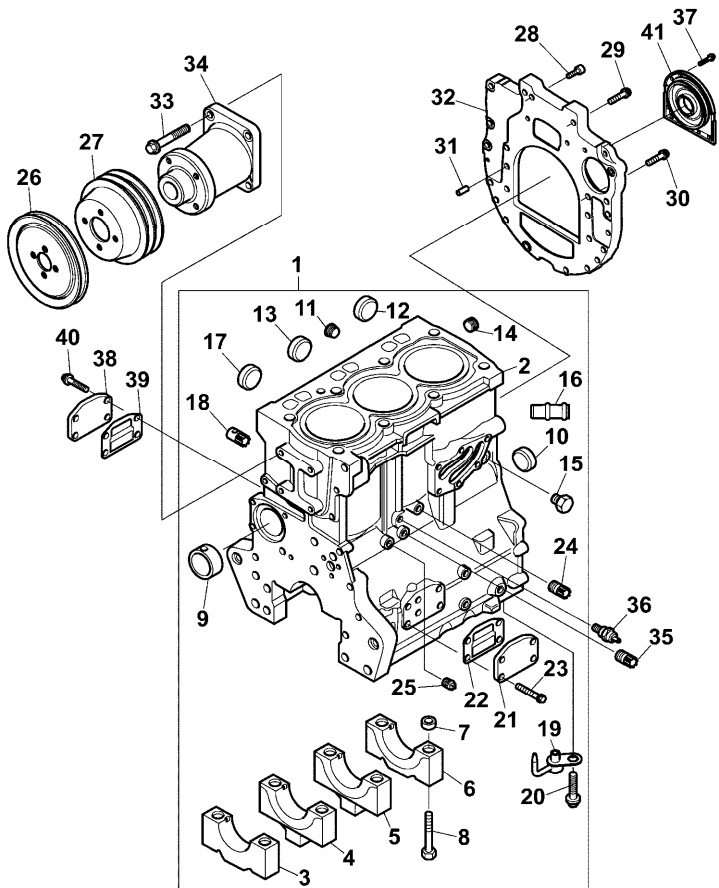
A-05  
02



A0502

Cylinder block

RS50\000031.967.png



				Inglese
1	4181V016	T-A	30:50	1 Cylinder
2		!	1	1 Cylinder
		➡	4181v016	
3		!	1	1 Bearing
		➡	4181v016	
4		!	1	1 Bearing
		➡	4181v016	
5		!	1	1 Bearing
		➡	4181v016	
6		!	1	1 Bearing
		➡	4181v016	
7	33142111	!	1	8 Manicott
8	32166329	!	1	8 Screw
9	3112D071	!	1	1 Bush
		●	3112D075(1)	
10	3241A012	!	1	1 Plug
11	0650588	!	1	1 Plug
12	0650710	!	1	1 Plug
13	3241A011	!	1	2 Plug
14	3212P008	!	1	1 Plug
15	32141316	!	1	1 Plug
16	3313A022	!	1	1 Pipe
17	2485A108	!	1	1 Plug
18	3212V006	!	1	1 Plug

**<https://www.ebooklibonline.com>**

Hello dear friend!

Thank you very much for reading.

Enter the link into your browser.

The full manual is available for immediate download.

**<https://www.ebooklibonline.com>**

Engine

C-I Europa Tier 2 (2007-2008) - RS50 - 70

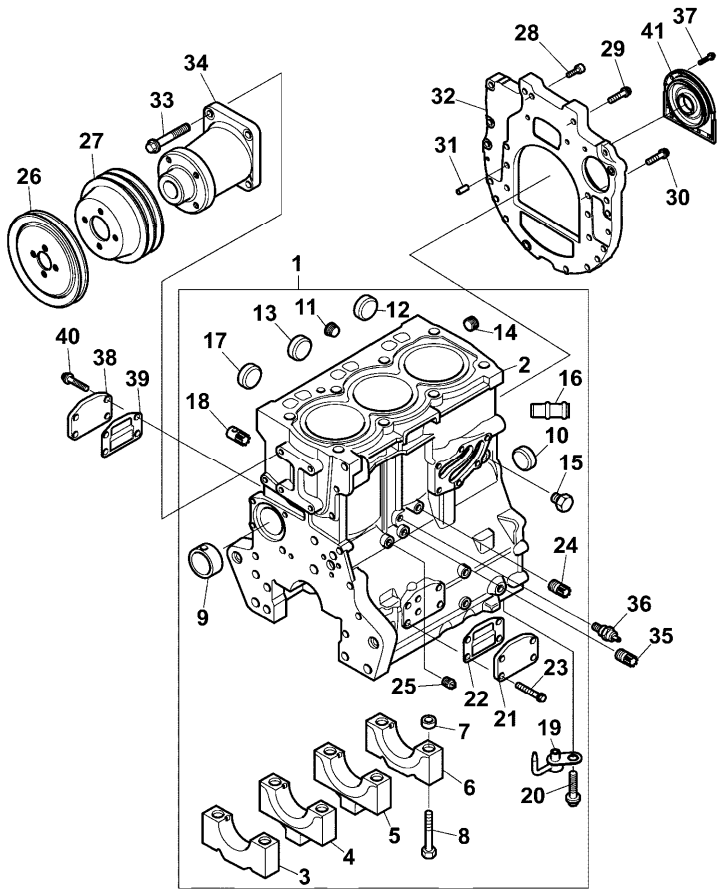
A-05  
02



A0502

Cylinder block

RS50\000031.967.png



			Inglese
19	2113A001	! 1	3 Atomiser
20	2314F001	● 2113A003(3)	3 Screw
21	3623A009	! 1	2 Plate
		T-A 0:50	
22	3688A039	! 1	2 Gasket
		T-A 0:50	
23	2314H033	! 1	8 Screw
24	3212V005	! 1	1 Plug
25	0650594	! 1	1 Plug
26	3114X191	T-A 2:0	1 Pulley
27	3115C113	T-A 2:0	1 Pulley
28	2311D105		1 Screw
29	2314J607		1 Screw
30	2314J203		6 Screw
31	0350025	● 3245A011(2)	2 Dowel
32	3714A062	T-A 6:0	1 Plate
33	2314J005		4 Screw
34	4113K005	T-A 2:0	1 Housing
35	3212V005		1 Plug
36	2848062	● 4172E054(1)	1 Switch
		T-A 0:25	
37	3211C002		10 Screw
38	3623A009	T-A 0:50	1 Plate

Engine

C-I Europa Tier 2 (2007-2008) - RS50 - 70

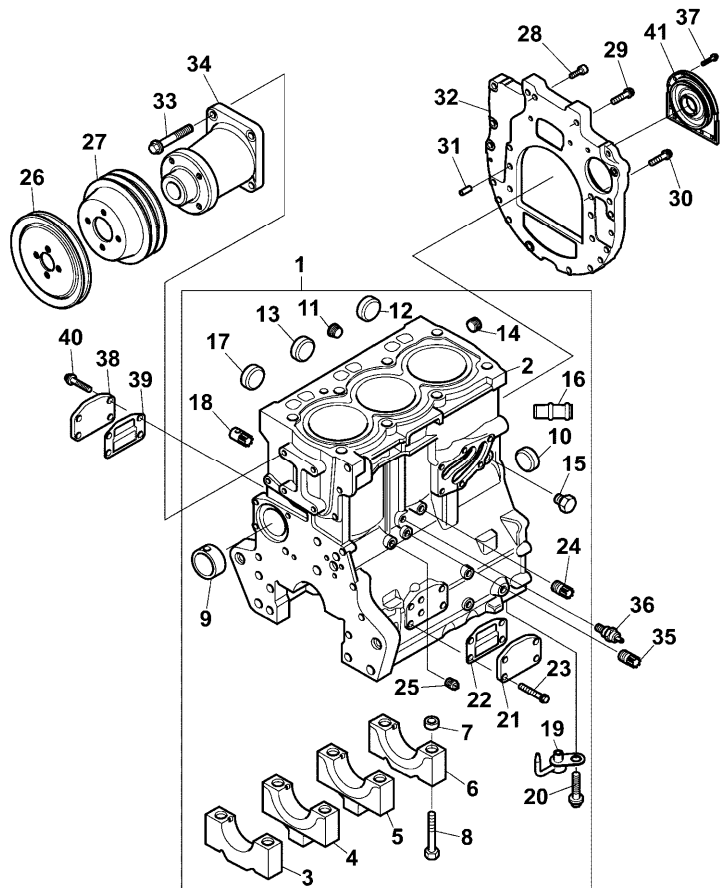
RS50\000031.967.png

A-05  
02



A0502

Cylinder block



Inglese

39	3688A039	(X)	0.1.3.	1	Gasket
			T-A 0:50		
40	2314H033			4	Screw
41	2418F704	(X)	0.1.3.	1	Housing
			T-A		

- ! This is a component of an assembly
- ▣ Not serviced, order
- Replacement
- (X) Qty per tractors sold (aa.bbb.ccc.ddd) (aa) for 1,(bbb) 2-10 (ccc) 11-25 (ddd) 26-50
- T-A Replacement

Engine

C-I Europa Tier 2 (2007-2008) - RS50 - 70

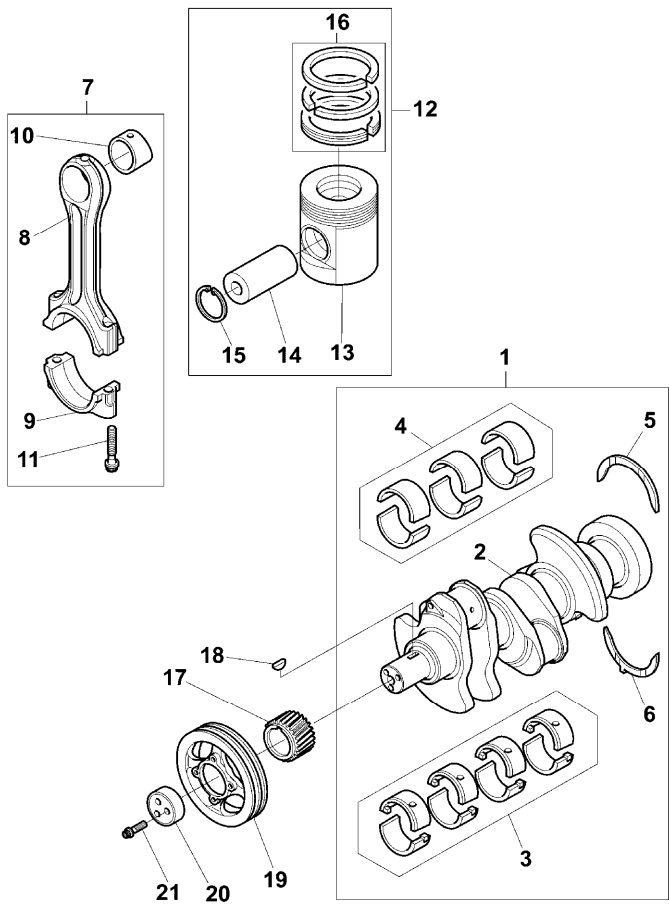
**A-05  
03**



A0503

Crankshaft, pistons and connecting rods

RS50\000031.968.png



Inglese

1	4181V017	T-A	18:50	1	Shaft
2		!	1	1	Crankshaft
3	U5MB0019	➡	Ref. n. 1	1	Kit
		●	U5MB0037(1)		
		T-A	18:50		
4	4115C365	➡	U491478 t	3	Conrod
		B			
4	4115C366	➡	U491478 t	3	Conrod
		A			
4	U5ME0018	!	1	1	Kit
		●	U5ME0033(1)		
		(X)			
		T-A	18:50		
5	31137312	⌘	(+)0.007"	2	Ring
		!	1		
		T-A	18:50		
5	31137551	!	1	2	Washer
		T-A	18:50		
6	31137322	⌘	(+)0.007"	2	Ring
		!	1		
		T-A	18:50		
6	31137561	!	1	2	Washer
		T-A	18:50		

Engine

C-I Europa Tier 2 (2007-2008) - RS50 - 70

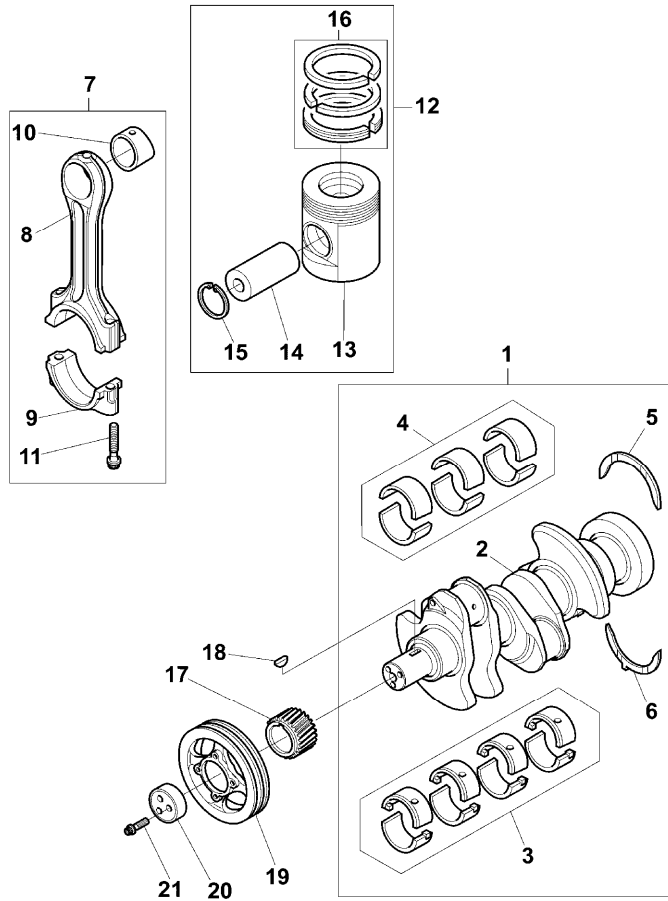
RS50\000031.968.png

**A-05  
03**



A0503

Crankshaft, pistons and connecting rods



		Inglese	
7	4115C311	➡ U491477 t F T-A 17:0	3 Kit
7	4115C312	➡ U491477 t E T-A 17:0	3 Kit
7	4115C313	➡ U491477 t D T-A 17:0	3 Kit
7	4115C314	➡ U491477 t C T-A 17:0	3 Kit
7	4115C315	➡ U491477 t B T-A 17:0	3 Kit
7	4115C316	➡ U491477 t A T-A 17:0	3 Kit
7	4115C361	➡ U491478 t F	3 Conrod
7	4115C362	➡ U491478 t E	3 Conrod
7	4115C363	➡ U491478 t D	3 Conrod
7	4115C364	➡ U491478 t C	3 Conrod

Engine

C-I Europa Tier 2 (2007-2008) - RS50 - 70

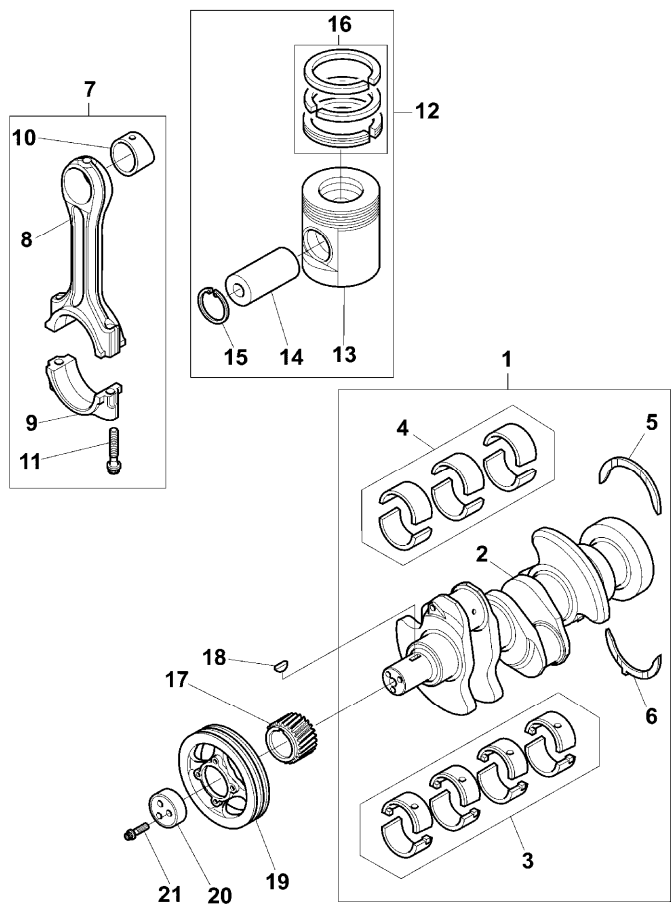
**A-05  
03**



A0503

Crankshaft, pistons and connecting rods

RS50\000031.968.png



		Inglese
8	! 7	1 Conrod
	➡ Ref.n.7	
9	! 7	1 Guard
	➡ Ref.n.7	
10	3112A005 ! 7	1 Bush
	T-A 17:0	
11	3212V003 ! 7	2 Screw
12	4115P015 T-A 17:0	3 Kit
13	! 12	1 Piston
	➡ 4115p015	
14	! 12	1 Pin
	➡ 4115p015	
15	2721332 ! 12	2 Ring
16	UPRK0002 ! 12	1 Kit
	(X) 0.1.3.	
	T-A 17:0	
17	3117C221 T-A 13:0	1 Gear
18	0500012 T-A 13:0	1 Key
19	3115T051 T-A 2:0	1 Pulley
20	3241N001 T-A 2:0	1 Block
21	32186137	3 Screw
!	This is a component of an assembly	
➡	From serial or engine number	
➡	Up to serial or engine number	
➡	Not serviced, order	
⚡	Shim	

Engine

C-I Europa Tier 2 (2007-2008) - RS50 - 70

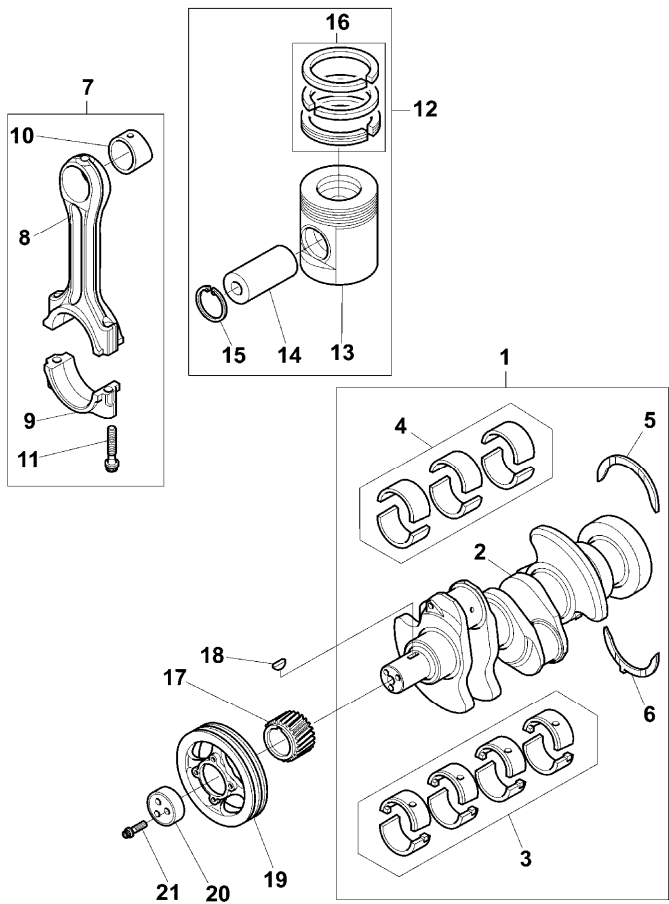
A-05  
03



A0503

Crankshaft, pistons and connecting rods

RS50\000031.968.png



- Replacement
- (X) Qty per tractors sold (aa.bbb.ccc.ddd) (aa) for 1,(bbb) 2-10 (ccc) 11-25 (ddd) 26-50
- T-A Replacement
- A Blue
- B Purple
- C Green
- D White
- E Orange
- F Red

Engine

C-I Europa Tier 2 (2007-2008) - RS50 - 70

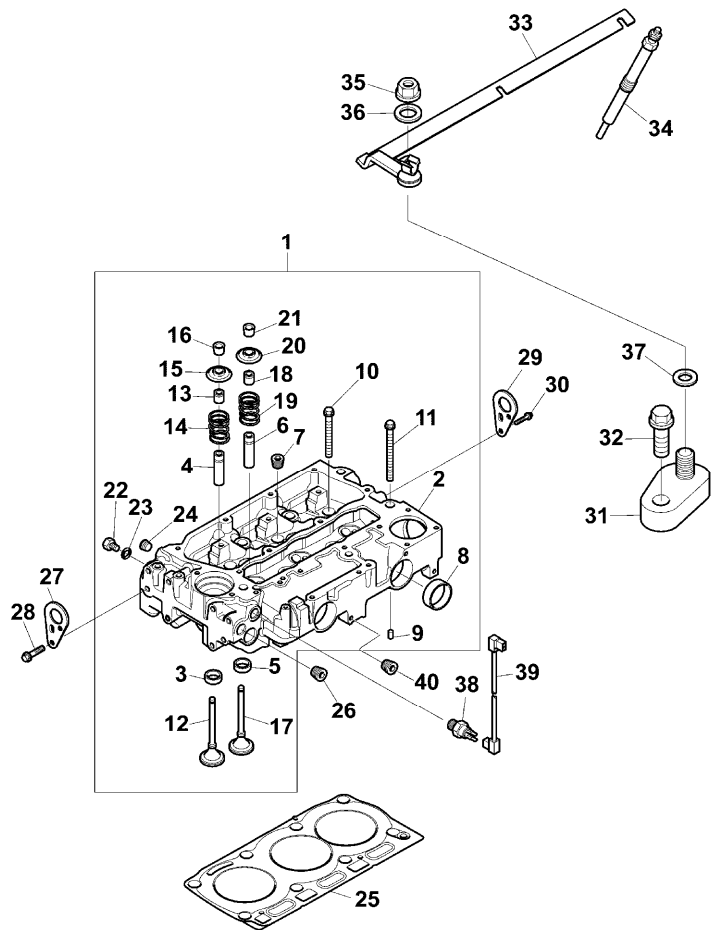
RS50\000031.983.png

**A-05  
04**



A0504

Cylinder head



		Inglese	
1	4181V015	● 4181V041(1) T-A 4:0 T-B 7:0	1 Head
2		! 1	1 Head
3	3314A151	▣ 4181v015 ! 1	3 Insert
4	3313E021	● 3314A241(3) T-A 7:50 ! 1	3 Guide
5	3314A161	● 3313A012(3) T-A 7:50 ! 1	3 Insert
6	3313E021	● 3314A231(3) T-A 7:50 ! 1	3 Guide
7	0650588	● 3313A012(3) T-A 7:50 ! 1	3 Plug
8	32416117	T-A 0:50 ! 1	3 Plug
9	3244A009	T-A 1:0 ! 1	2 Dowel
10	3218A011	! 1	5 Screw
11	3218A012	! 1	3 Screw
12	3142H071	! 1	3 Valve
		T-A 7:50	

Engine

C-I Europa Tier 2 (2007-2008) - RS50 - 70

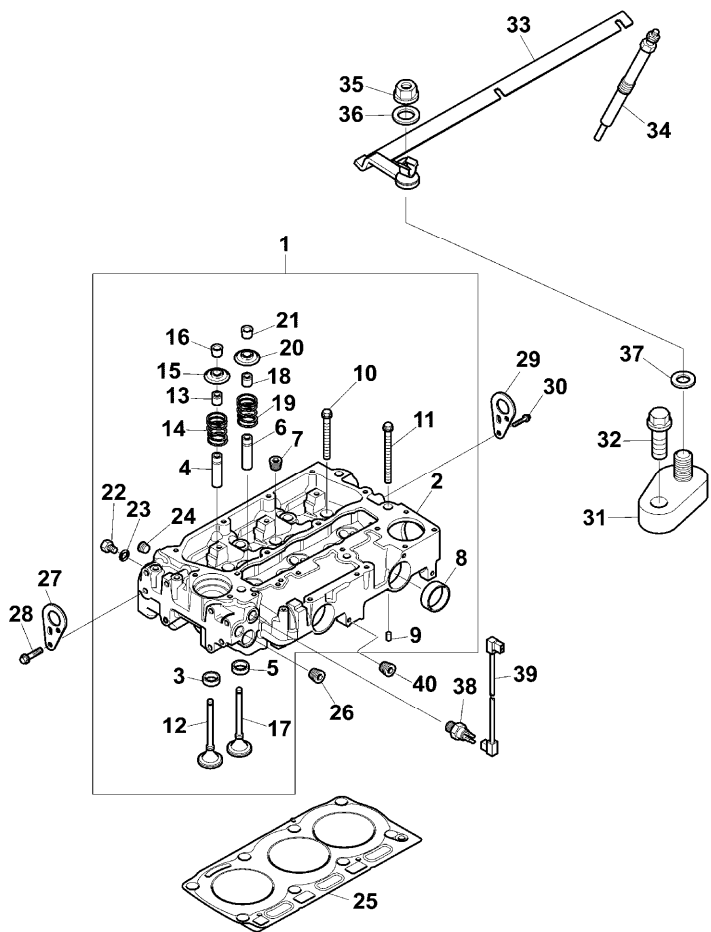
**A-05  
04**



A0504

Cylinder head

RS50\000031.983.png



			Inglese
13	2418M514	! 1	3 Ring
		● N.L.S.(3)	
		T-A 3:0	
14	3174A016	! 1	3 Spring
		T-A 3:0	
15	3342A011	! 1	3 Cover
		T-A 3:0	
16	3142W004	! 1	6 Cotter
		T-A 3:0	
17	3142A151	! 1	3 Valve
		T-A 7:50	
18	2418M514	! 1	3 Ring
		● N.L.S.(3)	
		T-A 3:0	
19	3174A016	! 1	3 Spring
		T-A 3:0	
20	3342A011	! 1	3 Cover
		T-A 3:0	
21	3142W004	! 1	6 Cotter
		T-A 3:0	
22	3278A006	! 1	1 Plug
23	2415H003	! 1	1 Ring
24	2431154	! 1	3 Plug
25	3681E045	● 3681E049(1)	1 Gasket
		(X)	
		T-A 4:0	

Engine

C-I Europa Tier 2 (2007-2008) - RS50 - 70

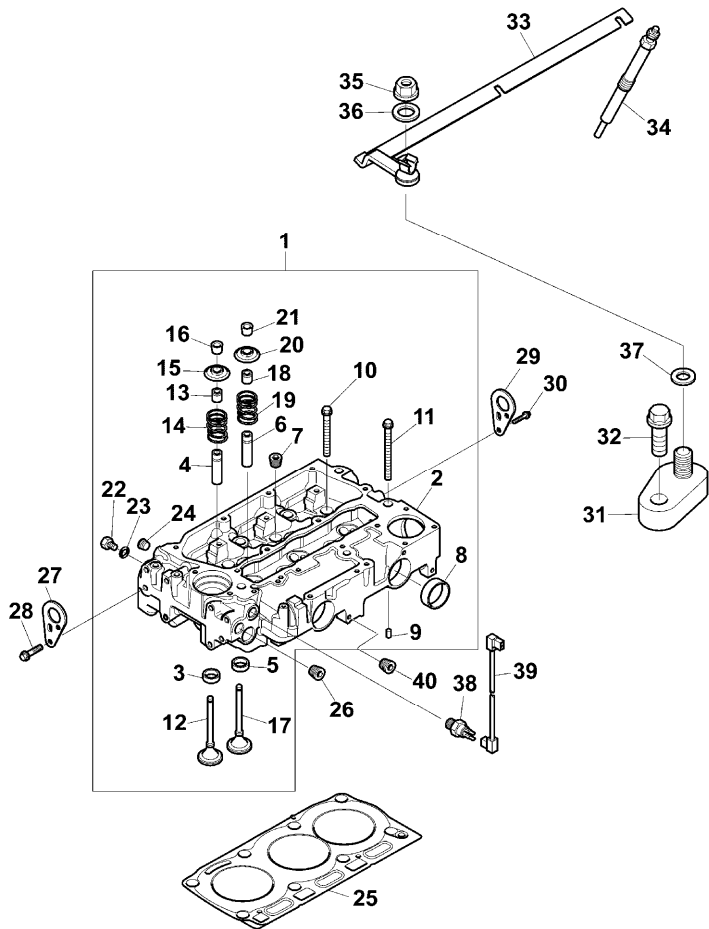
RS50\000031.983.png

**A-05  
04**



A0504

Cylinder head



		Inglese
26	2431154	1 Plug
27	3617A015	1 Stirrup
28	2314J002	2 Screw
29	3617A015 T-A 3:0	1 Stirrup
30	2314J002	2 Screw
31	3881A006	1 Insulator
32	2314F004	1 Screw
33	3812A031 T-A 0:50	1 Bar
34	2666A016 T-A 0:75	3 Spark plug
35	2318A602	1 Nut
36	2134A609	1 Washer
37	0920002	1 Washer
38	2848A127 A	1 Sensor
39	3161C017 T-A 0:25	1 Cable
40	2431131 ● 0650594(1)	1 Plug

! This is a component of an assembly

▣ Not serviced, order

● Replacement

(X) Qty per tractors sold (aa.bbb.ccc.ddd) (aa) for 1,(bbb) 2-10 (ccc) 11-25 (ddd) 26-50

T-A Replacement

T-B Overhaul

A Engine water temperature

Engine

C-I Europa Tier 2 (2007-2008) - RS50 - 70

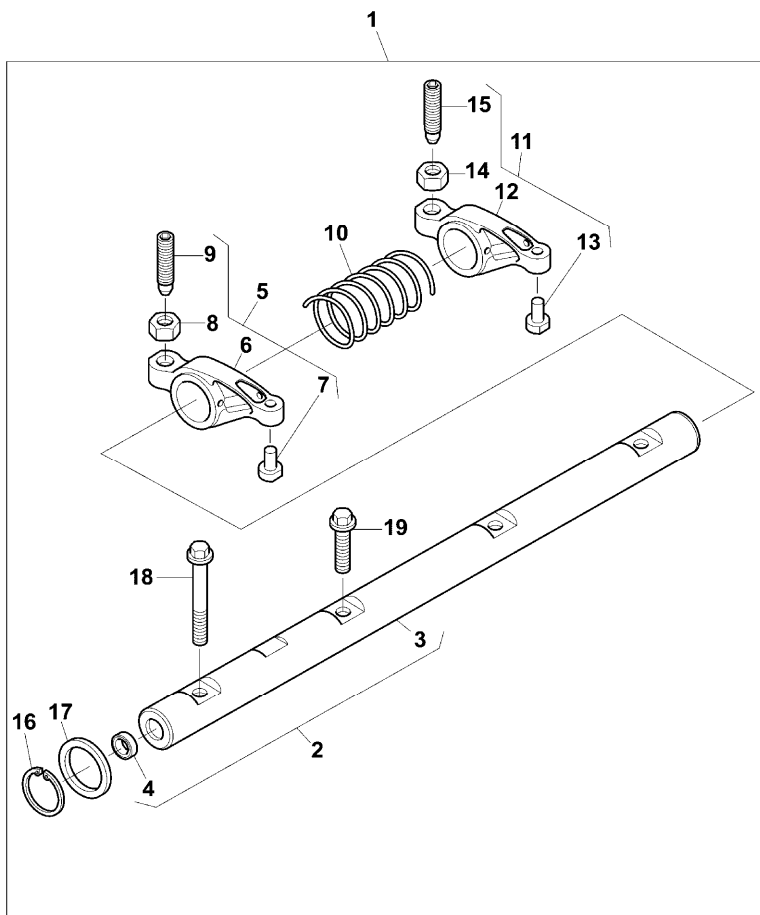
A-05  
05



A0505

Rocker shaft

RS50\000031.970.png



			Inglese
1	4115R611	T-A 4:0	1 Shaft
2	4115R702	! 1	1 Shaft
		T-A 4:0	
3		! 2	1 Shaft
		➡ 4115r702	
4	2485A104	! 2	2 Plug
		T-A 4:0	
5	4115R314	! 1	3 Rocker
		T-A 4:0	
6		! 5	1 Rocker
		➡ 4115r314	
7		! 5	1 Shim
		➡ 4115r314	
8	0576052	! 5	1 Nut
9	32114145	! 5	1 Screw
10	3174A015	! 1	2 Spring
		T-A 4:0	
11	4115R315	! 1	3 Rocker
		T-A 4:0	
12		! 11	1 Rocker
		➡ 4115r315	
13		! 11	1 Shim
		➡ 4115r315	
14	0576052	! 11	1 Nut
15	32114145	! 11	1 Screw
		T-A 1:25	

Engine

C-I Europa Tier 2 (2007-2008) - RS50 - 70

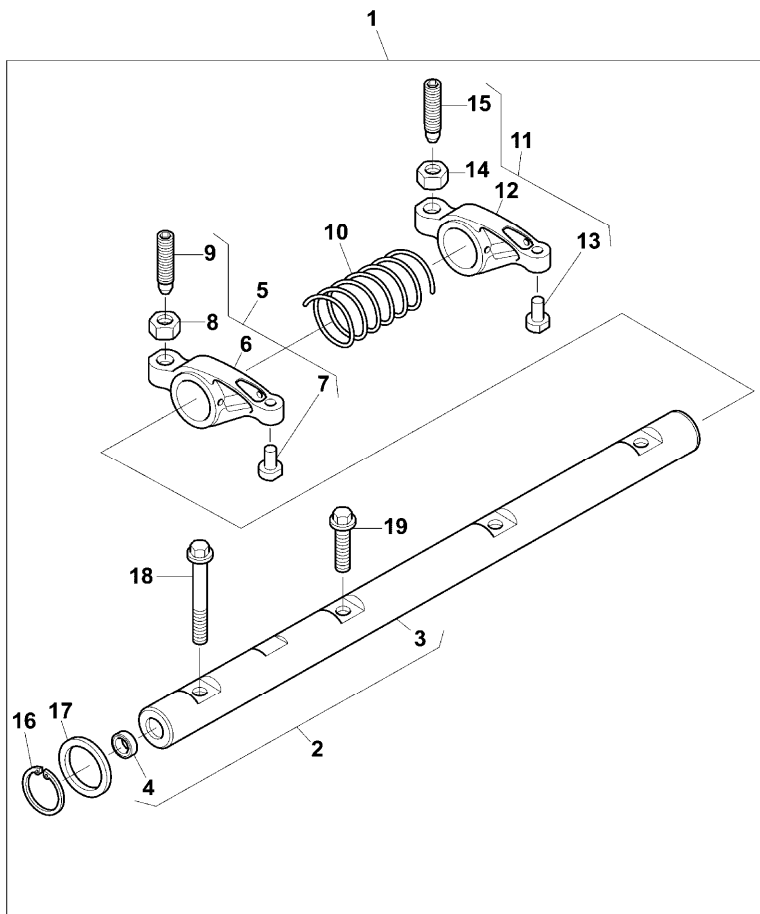
RS50\000031.970.png

A-05  
05



A0505

Rocker shaft



- 16 2722A022 ! 1
- 17 2134A502 ! 1
- T-A 4:0
- 18 2316A901 ! 1
- 19 2316A902 ! 1

Inglese

- 2 Ring
- 2 Washer
- 1 Screw
- 2 Screw

! This is a component of an assembly  
➡ Not serviced, order  
T-A Replacement

Engine

C-I Europa Tier 2 (2007-2008) - RS50 - 70

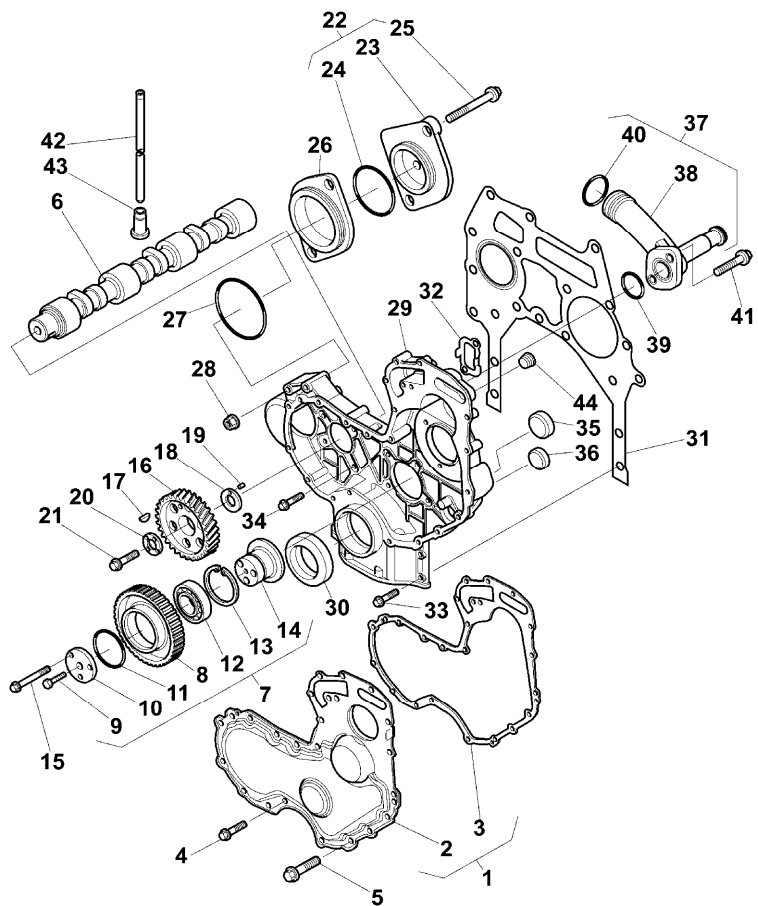
A-05  
06



A0506

Timing gear and camshaft

RS50\000031.971.png



		Inglese	
1	4142A501	● 4142A503(1) T-A 4:50	1 Kit
2		! 1	1 Overlay
3	3681P046	➡ 4142a501 ! 1 (X) 1.3.6.1 T-A 4:50	1 Gasket
4	2314H002		9 Screw
5	2314H012		5 Screw
6	3141A002	● 4112K046(1) T-A 14:0	1 Shaft
7	4111A028	● 4111A048(1) T-A 4:75	1 Gear
8		! 7 ➡ 4111a028	1 Gear
9	2314C037	! 7	1 Screw
10	3241A013	! 7 T-A 4:75	1 Disc
11	2559A001	! 7 T-A 4:75	2 Washer
12	2558A501	! 7 T-A 4:75	1 Cuscinet
13	2721B064	! 7 T-A 4:75	2 Ring
14	3272A015	! 7 T-A 4:75	1 Hub

Engine

C-I Europa Tier 2 (2007-2008) - RS50 - 70

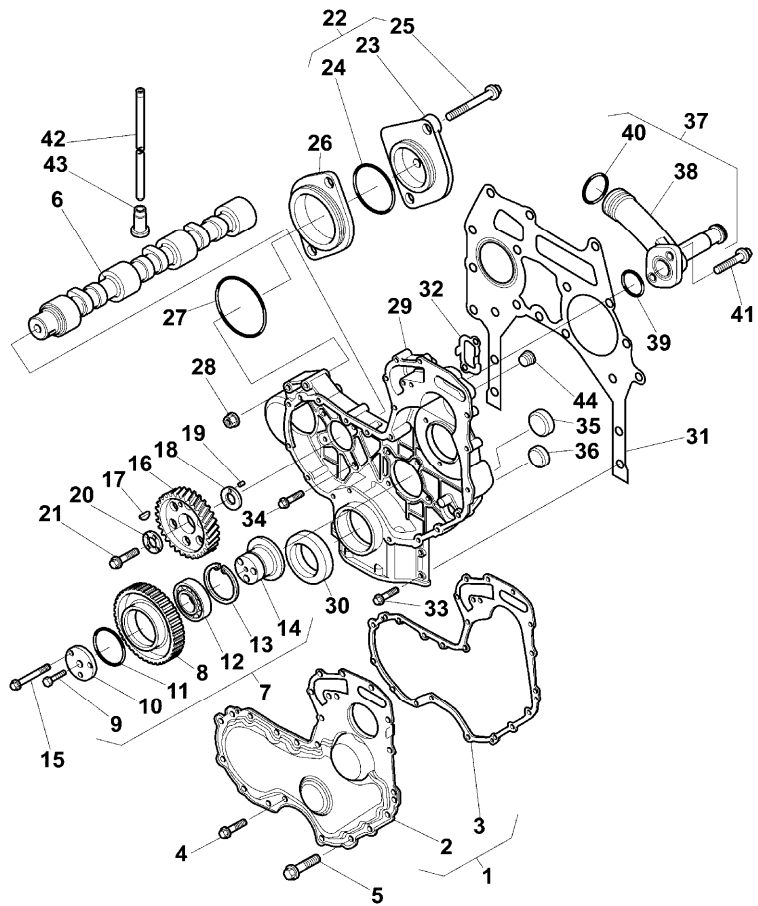
RS50\000031.971.png

A-05  
06



A0506

Timing gear and camshaft



		Inglese
15	2314J012	3 Screw
16	3117L271	1 Gear
	● 3117L272(1)	
	T-A 4:75	
17	0500012	1 Key
18	3321A003	1 Washer
	T-A 4:75	
19	2116053	1 Pin
20	3327A003	1 Washer
	● 3112X011(1)	
	T-A 4:75	
21	2314J606	1 Screw
22	4148K012	1 Plate
23	! 22	1 Plate
	➡ 4148k012	
24	2415H510	1 Ring
	! 22	
	● 2415H515(1)	
	T-A 4:75	
25	2314J014	2 Screw
26	3617A021	1 Disc
27	2415A063	1 Ring
	● 2415H516(1)	
	T-A 4:75	
28	2318A604	2 Nut
29	3716C481	1 Housing
30	2418F436	1 Seal
	● 2418F437(1)	
	(X)	
	T-A 4:75	

Engine

C-I Europa Tier 2 (2007-2008) - RS50 - 70

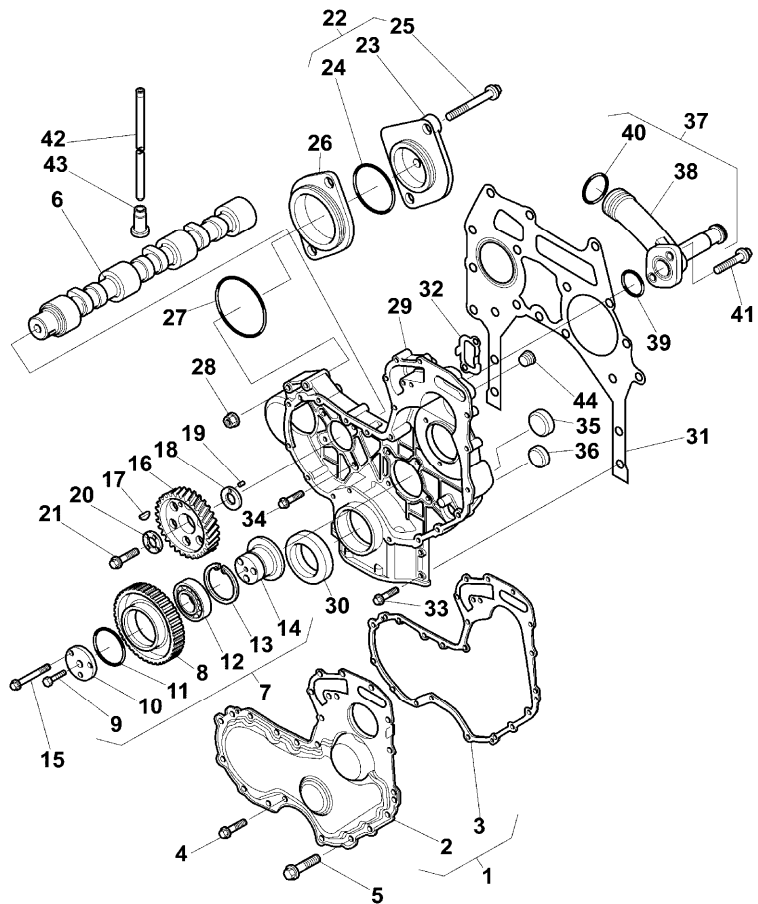
A-05  
06



A0506

Timing gear and camshaft

RS50\000031.971.png



		Inglese	
31	3617V015	● 3681P053(1) (X) T-A 4:75	1 Gasket
32	3617V016	● 3681P053(1)	1 Gasket
33	2314H003		8 Screw
34	2314H034		4 Screw
35	2485A124		1 Plug
36	2485A118		1 Plug
37	4133L049	T-A 4:75	1 Connection
38		! 37 ▶ 4133I049	1 Connection
39	2418F001	! 37 T-A 4:75	1 Ring
40	2418F002	! 37 T-A 4:75	1 Ring
41	2314H003		2 Screw
42	31434307	T-A 2:75	6 Rod
43	3142U031	● 3142U991(6) T-A 14:25	6 Tappet
44	2431154		1 Plug
!	This is a component of an assembly		
▶	Not serviced, order		
●	Replacement		
(X)	Qty per tractors sold (aa.bbb.ccc.ddd) (aa) for 1,(bbb) 2-10 (ccc) 11-25 (ddd) 26-50		
T-A	Replacement		

Engine

C-I Europa Tier 2 (2007-2008) - RS50 - 70

RS50\000031.972.png

**A-05  
07**



A0507

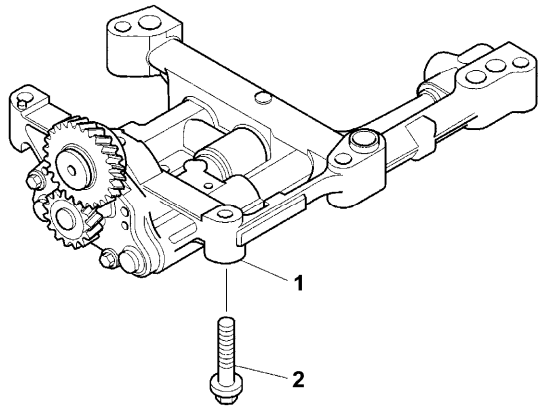
Oil pump

**Inglese**

- 1 4132F071 T-A 4:0
- T-B 5:0

- 2 2314J008
- T-A Replacement
- T-B Overhaul

- 1 Pump
- 5 Screw



Engine

C-I Europa Tier 2 (2007-2008) - RS50 - 70

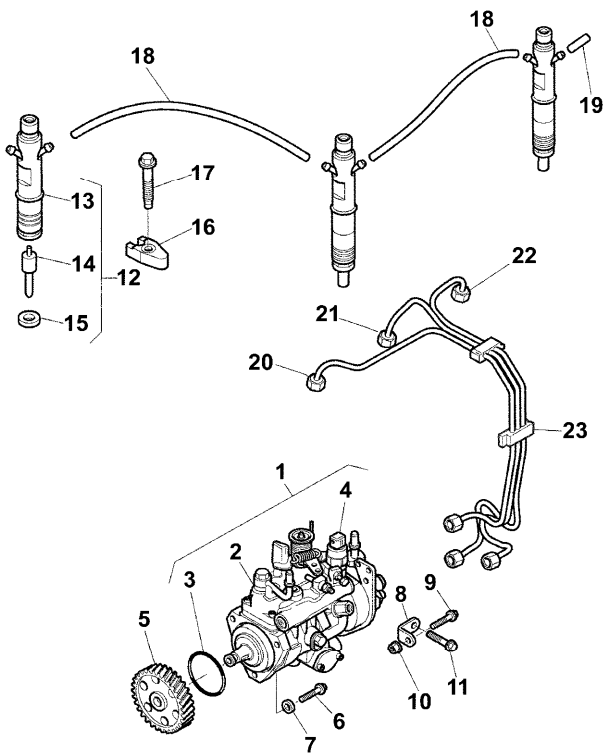
**A-05  
08**



A0508

Fuel injection equipment (diesel)

RS50\000031.984.png



				Inglese
1	2643B303	T-A 5:0		1 Pump
2		! 1		1 Pump
		➡ 2643b303		
3	26420318	! 1		1 Ring
		T-A 4:50		
4	26420469	! 1		1 Solenoid
		(X) 0.1.3.		
		T-A 0:25		
5	3117L261	T-A 4:50		1 Gear
6	2314H004			3 Screw
7	2411D008			3 Washer
8	3641A007			1 Stirrup
9	2314H004			1 Screw
10	2318A603			1 Nut
11	2314J002			1 Screw
12	2645K011	T-A 2:0		3 Atomiser
13		! 12		1 Atomiser
		➡ 2645k011		
14	2645K611	! 12		1 Nozzle
		(X) 0.1.4.		
		T-A 2:0		
15	L311FF02	! 12		1 Washer
		T-A 2:0		
16	3751A241	T-A 2:0		3 Clamp
17	2314W009			3 Screw

Engine

C-I Europa Tier 2 (2007-2008) - RS50 - 70

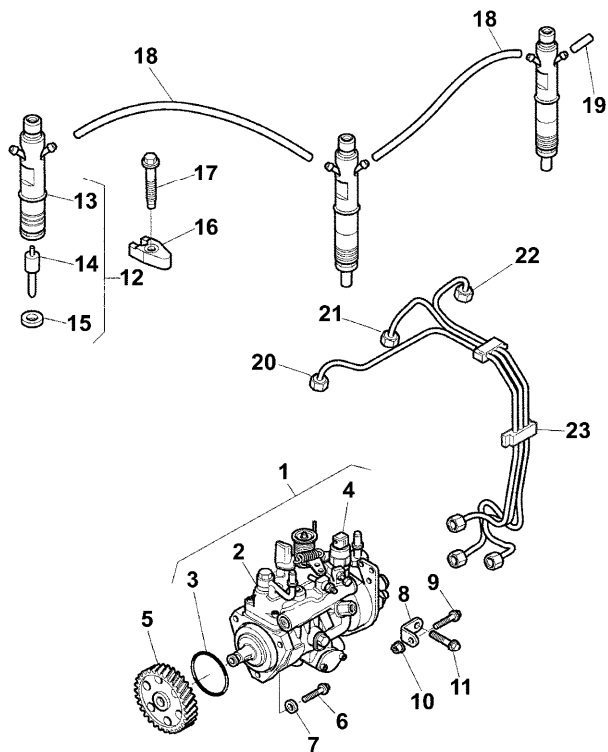
RS50\000031.984.png

A-05  
08



A0508

Fuel injection equipment (diesel)



Inglese

18	2646F501	T-A	0:25	2	Pipe
19	2646E501	T-A	0:25	1	Cap
20	3525A114	T-A	0:25	1	Pipe
21	3525A115	T-A	0:25	1	Pipe
22	3525A116	T-A	0:25	1	Pipe
23	2646E018			2	Clip

! This is a component of an assembly

Not serviced, order

(X) Qty per tractors sold (aa.bbb.ccc.ddd) (aa) for 1,(bbb) 2-10 (ccc) 11-25 (ddd) 26-50

T-A Replacement

Engine

C-I Europa Tier 2 (2007-2008) - RS50 - 70

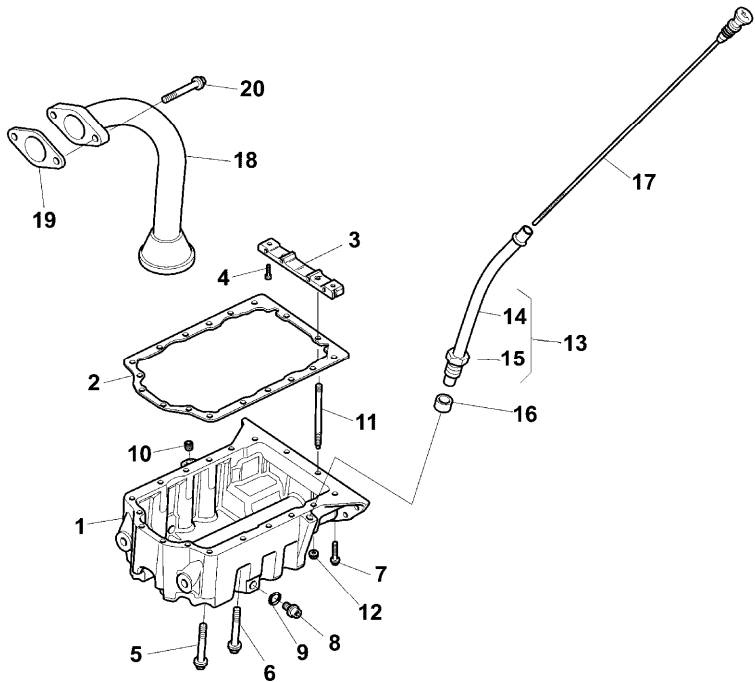
RS50\000031.974.png

A-05  
09



A0509

Lubricating oil sump



		Inglese	
1	3717C141	● 3717C142(1)	1 Sump
		T-A 2:0	
2	3681K038	(X) 0.1.3.	1 Gasket
		T-A 2:0	
3	3627P041	T-A 2:0	1 Crosspiece
4	2311D039		2 Screw
5	2314H022	● 2314H052(2)	2 Screw
6	2314H015		8 Screw
7	2314K159		2 Screw
8	32186405		2 Plug
9	2415715		2 Ring
10	2431A016		1 Plug
11	3211P022		2 Stud
12	2318A603		2 Nut
13	3577A125	T-A 0:25	1 Pipe
14		! 13	1 Pipe
		➡ 3577a125	
15	3353D005	! 13	1 Nut
16	33812116	T-A 0:25	1 Olive
17	3178C172	● 3178C182(1)	1 Rod
		(X)	
		T-A 0:25	
18	3575A064	T-A 2:25	1 Pipe
19	36832137	T-A 2:25	1 Gasket
20	2314H004		2 Screw

Engine

A-05  
09



Lubricating oil sump

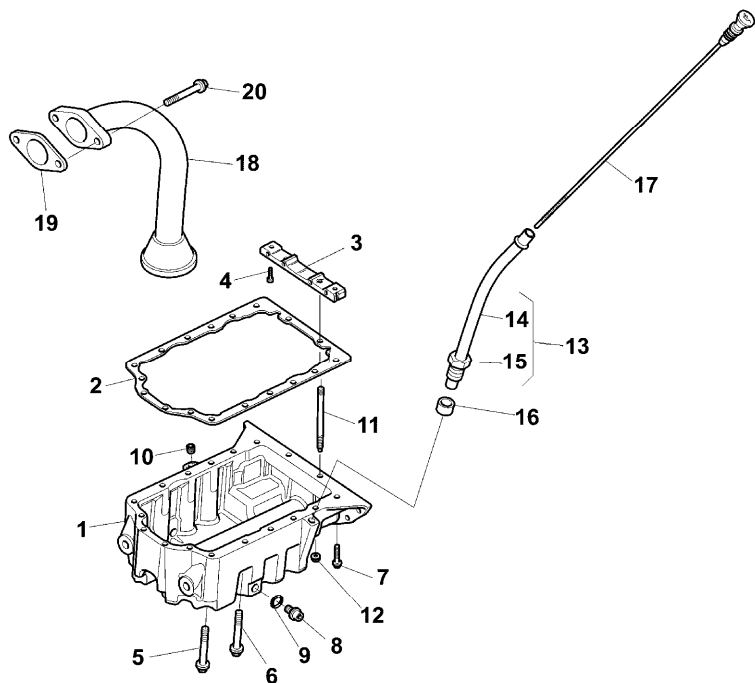
C-I Europa Tier 2 (2007-2008) - RS50 - 70



A0509

RS50\000031.974.png

- ! This is a component of an assembly
-  Not serviced, order
-  Replacement
- (X) Qty per tractors sold (aa.bbb.ccc.ddd) (aa) for 1,(bbb) 2-10 (ccc) 11-25 (ddd) 26-50
- T-A Replacement



Engine

C-I Europa Tier 2 (2007-2008) - RS50 - 70

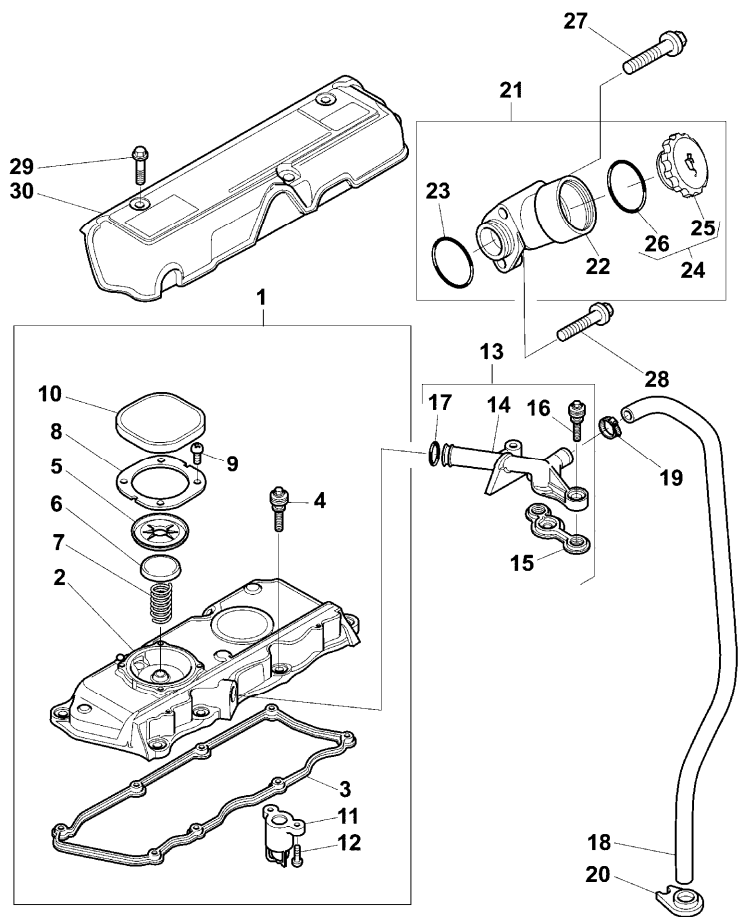
A-05  
10



A0510

Lubricating oil filler and breather

RS50\000031.985.png



		Inglese	
1	4142X301	T-A 1:0	1 Cover
2	!	1	1 Cover
3	3681A057	➡ 4142x301	1 Coperch.
	(X) 0.1.3.		
	T-A 1:0		
4	2161A011	!	8 Screw
	● 2161A013(8)		
5	3789A001	!	1 Diaphragm
	T-A 0:25		
6	3788A002	!	1 Cap
	T-A 0:25		
7	3174A017	!	1 Spring
	T-A 0:50		
8	3615A009	!	1 Plate
	T-A 0:25		
9	2152A034	!	4 Screw
10	3788A003	!	1 Cap
	T-A 0:25		
11	2652A019	!	1 Valve
	T-A 1:0		
12	2314D106	!	2 Screw
13	4134K015	● 2314F005(2), 4134K022(1)	1 Pipe
	T-A 0:50		



**Suggest:**

**For more complete manuals. Please go to the home page.**

**<https://www.ebooklibonline.com>**

**If the above button click is invalid. Please download this document first, and then click the above link to download the complete manual.**

**Thank you so much for reading**

Engine

C-I Europa Tier 2 (2007-2008) - RS50 - 70

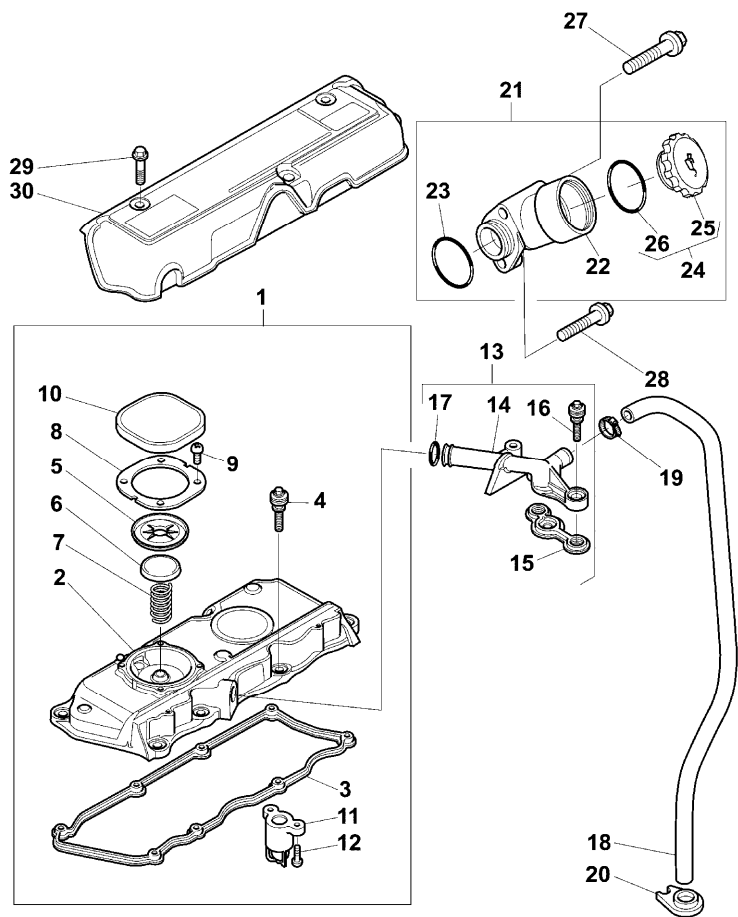
**A-05**  
**10**



A0510

Lubricating oil filler and breather

RS50\000031.985.png



		Inglese	
14	!	13	1 Pipe
15	➡	4134k015	1 Ring
16	!	13	2 Screw
	T-A	0:50	
17	!	13	1 Ring
	●	2161A013(2)	
	T-A	0:50	
18	●	3482V094(1)	1 Pipe
	T-A	0:25	
19		2481877	1 Clamp
20	T-A	0:25	1 Support
21	●	4134C072(1)	1 Filler
22	!	21	1 Body
	➡	4134c043	
23	!	21	1 Ring
	T-A	0:25	
24	!	21	1 Plug
	(X)	0.1.3.	
	T-A	0:25	
25	!	24	1 Plug
	➡	4142x098	
26	!	24	1 O ring
	T-A	0:25	
27		2314K161	1 Screw
28		2314H005	1 Screw

Engine

C-I Europa Tier 2 (2007-2008) - RS50 - 70

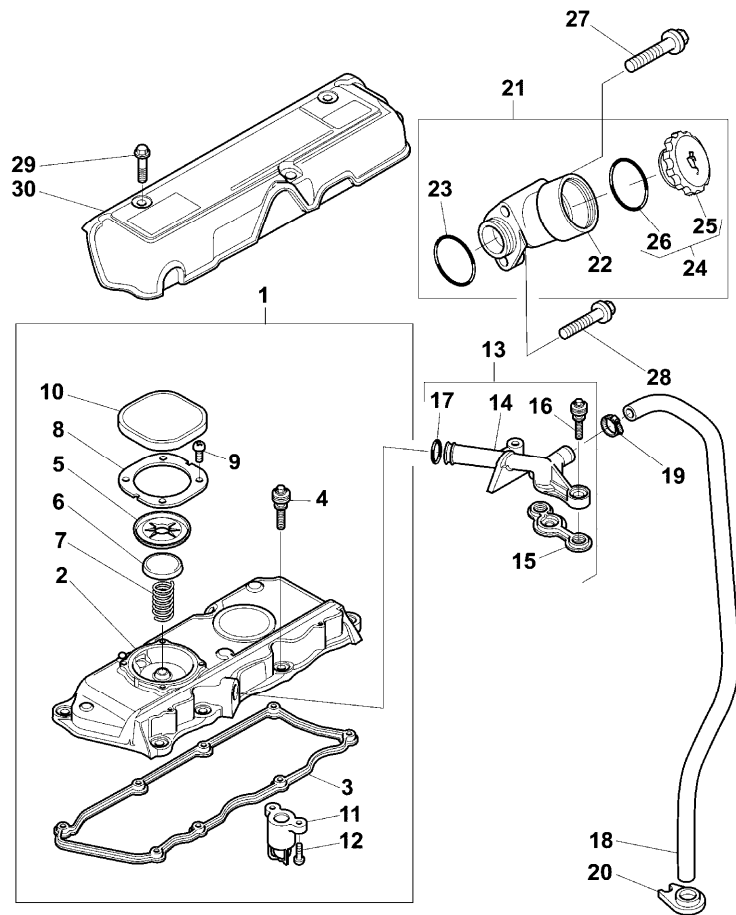
RS50\000031.985.png

A-05  
10



A0510

Lubricating oil filler and breather



Inglese

29 3788N004

1 Guard

30 2314F003

3 Screw

! This is a component of an assembly

🔧 Not serviced, order

● Replacement

(X) Qty per tractors sold (aa.bbb.ccc.ddd) (aa) for 1,(bbb) 2-10 (ccc) 11-25 (ddd) 26-50

T-A Replacement

**<https://www.ebooklibonline.com>**

Hello dear friend!

Thank you very much for reading.

Enter the link into your browser.

The full manual is available for immediate download.

**<https://www.ebooklibonline.com>**