

Engine

C-I Europa Tier 2 (2007-2008) - RS50 - 60

RS50\00010980.png

A-05
01



A0501

Engine assembly

4-0011-050-A

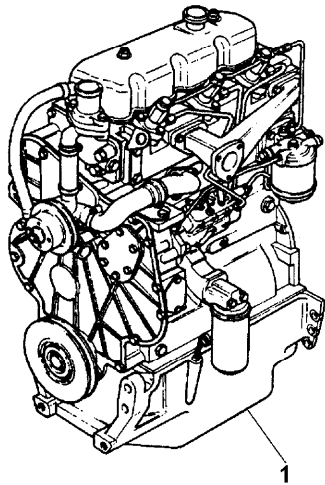
1 3670568M92

Perkins - dc81436

1 Engine

43 kw

Inglese



Engine

C-I Europa Tier 2 (2007-2008) - RS50 - 60

RS50\00002415.png

**A-05
011**



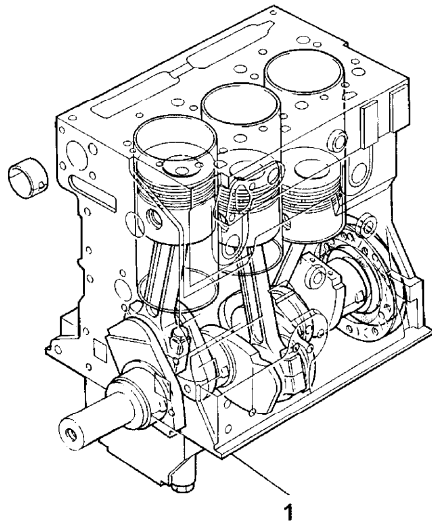
A05011

Short engine

4-ACHL-032-A

1 DC39164 T-A 25:0
T-A Replacement

Inglese
1 Engine



Engine

C-I Europa Tier 2 (2007-2008) - RS50 - 60

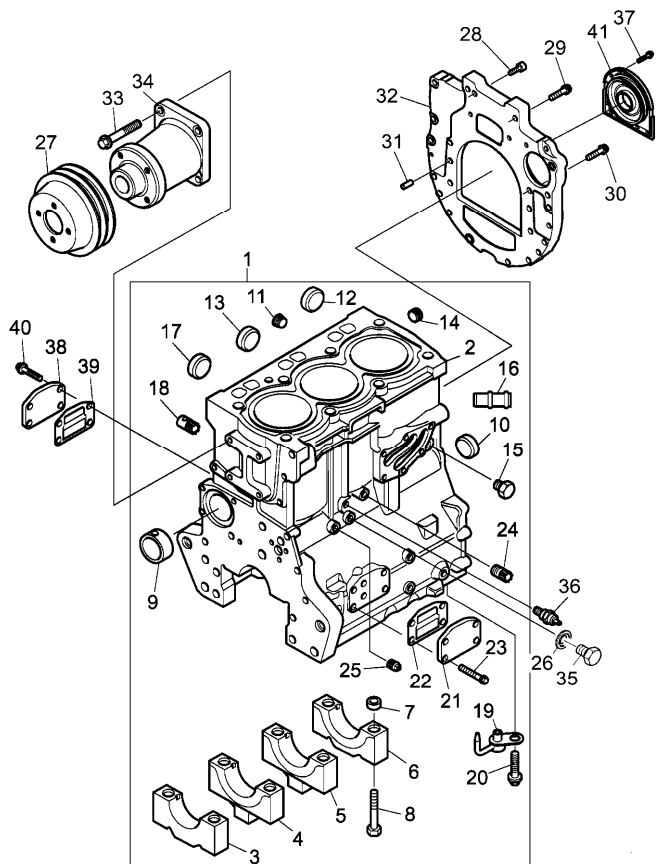
A-05
02



A0502

Cylinder block

RS50\00040004.png



			Inglese
1	4181V016	T-A 30:50	1 Cylinder
2		! 1	1 Cylinder
		➡ Ref.n.1	
3		! 1	1 Bearing
		➡ Ref.n.1	
4		! 1	1 Bearing
		➡ Ref.n.1	
5		! 1	1 Bearing
		➡ Ref.n.1	
6		! 1	1 Bearing
		➡ Ref.n.1	
7	33142111	! 1	8 Manicott
8	32166329	! 1	8 Screw
9	3112D071	! 1	1 Bush
		● 3112D075(1)	
10	3241A012	! 1	1 Plug
11	0650588	! 1	1 Plug
12	0650710	! 1	1 Plug
13	3241A011	! 1	2 Plug
14	3212P008	! 1	1 Plug
15	32141316	! 1	1 Plug
16	3313A022	! 1	1 Pipe
17	2485A108	! 1	1 Plug
18	3212V006	! 1	1 Plug
19	2113A003	! 1	3 Atomiser

<https://www.ebooklibonline.com>

Hello dear friend!

Thank you very much for reading.

Enter the link into your browser.

The full manual is available for immediate download.

<https://www.ebooklibonline.com>

Engine

C-I Europa Tier 2 (2007-2008) - RS50 - 60

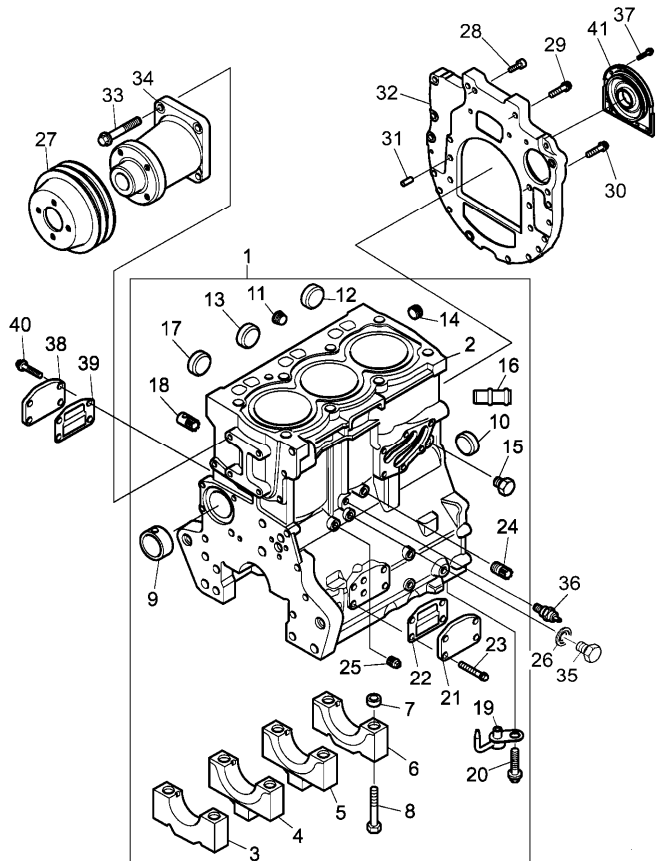
RS50\00040004.png

A-05
02



A0502

Cylinder block



				Inglese
20	2314F001	!	1	3 Screw
21	3623A009	!	1	2 Plate
		T-A	0:50	
22	3688A039	!	1	2 Gasket
		T-A	0:50	
23	2314H033	!	1	8 Screw
24	2314C049	!	1	1 Screw
25	0650594	!	1	1 Plug
26	2415D053			1 Washer
27	3115C111			1 Pulley
28	2311D105			1 Screw
29	2314J607			1 Screw
30	2314J203			6 Screw
31	3245A011			2 Dowel
32	3714A062	T-A	6:0	1 Plate
33	2314J005			4 Screw
34	4113K005	T-A	2:0	1 Housing
35	2314C049			1 Screw
36	2848062	●	4172E054(1)	1 Switch
		A		
		T-A	0:25	
37	3211C002			10 Screw
38	3623A009	T-A	0:50	1 Plate
39	3688A039	(X)	0.1.3.	1 Gasket
		T-A	0:50	

Engine

C-I Europa Tier 2 (2007-2008) - RS50 - 60

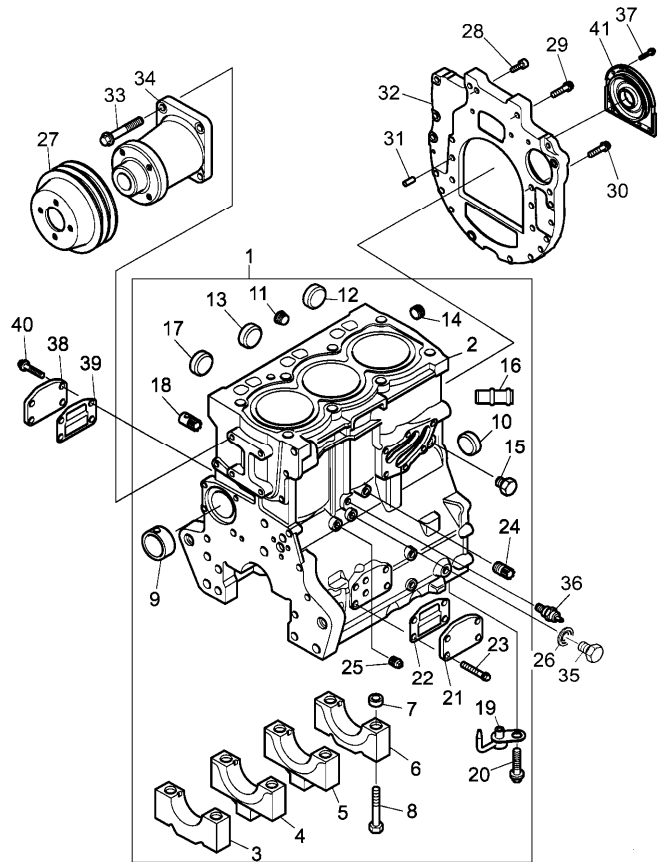
RS50\00040004.png

A-05
02



A0502

Cylinder block



Inglese

- 40 2314H033 4 Screw
 - 41 2418F704 (X) 0.1.3. 1 Housing
- T-A

- ! This is a component of an assembly
- ▣ Not serviced, order
- Replacement
- (X) Qty per tractors sold (aa.bbb.ccc.ddd) (aa) for 1,(bbb) 2-10 (ccc) 11-25 (ddd) 26-50
- T-A Replacement
- A Oil pressure

Engine

C-I Europa Tier 2 (2007-2008) - RS50 - 60

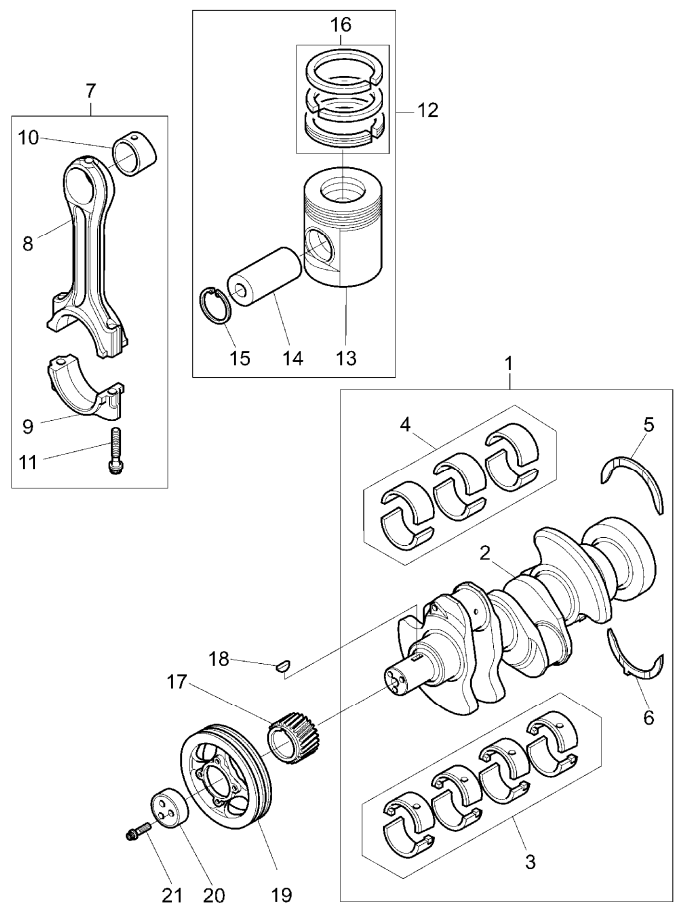
RS50\00010944.png

**A-05
03**



A0503

Crankshaft, pistons and connecting rods



				Inglese
1	4181V017	T-A 18:50		1 Shaft
2		! 1		1 Crankshaft
3	U5MB0019	➡ Ref.n.1 ! 1		1 Kit
		● U5MB0037(1) T-A 18:50		
4	U5ME0027	! 1		1 Kit
		● U5ME0033(1) T-A 18:50		
5	31137312	✂ (+)0.007" ! 1		2 Ring
		T-A 18:50		
5	31137551	! 1		2 Washer
		T-A 18:50		
6	31137322	✂ (+)0.007" ! 1		2 Ring
		T-A 18:50		
6	31137561	! 1		2 Washer
		T-A 18:50		
7	4115C311	F		3 Kit
		T-A 17:0		
7	4115C312	E		3 Kit
		T-A 17:0		
7	4115C313	D		3 Kit
		T-A 17:0		

Engine

C-I Europa Tier 2 (2007-2008) - RS50 - 60

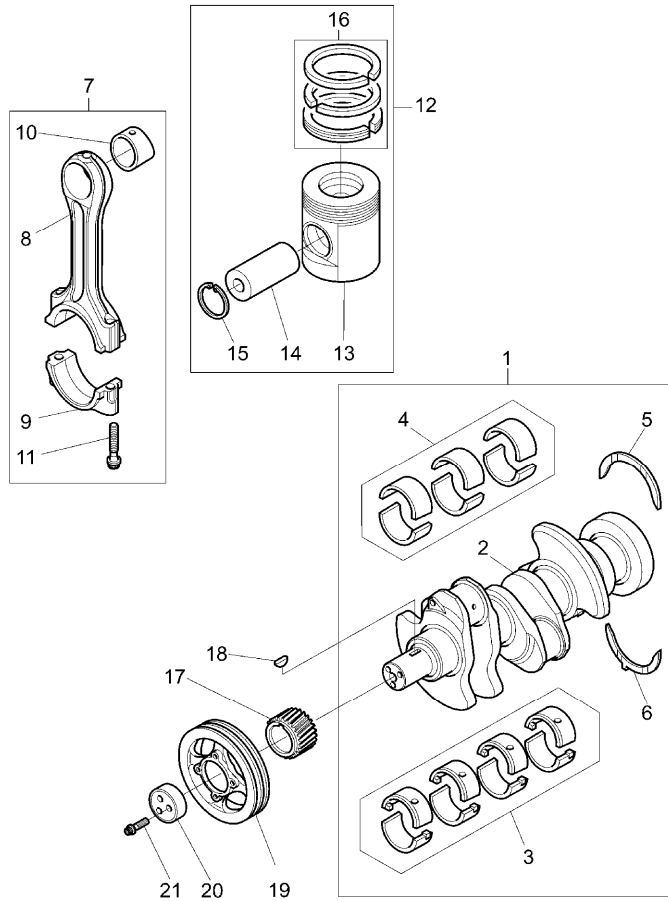
RS50\00010944.png

A-05
03



A0503

Crankshaft, pistons and connecting rods



			Inglese
7	4115C314	C	3 Kit
		T-A 17:0	
7	4115C315	B	3 Kit
		T-A 17:0	
7	4115C316	A	3 Kit
		T-A 17:0	
8		! 7	1 Conrod
		➤ Ref.n.7	
9		! 7	1 Guard
		➤ Ref.n.7	
10	3112A005	! 7	1 Bush
		T-A 17:0	
11	3212V003	! 7	2 Screw
12	4115P011		4 Kit
13		! 12	1 Piston
		➤ Ref.n.12	
14		! 12	1 Pin
		➤ Ref.n.12	
15	2721332	! 12	2 Ring
16	UPRK0003	! 12	1 Kit
		(X) 0.1.3.	
		T-A 17:0	
17	3117C221	T-A 13:0	1 Gear
18	0500012	T-A 13:0	1 Key
19	3115T051	T-A 2:0	1 Pulley
20	3241N001	T-A 2:0	1 Block

Engine

C-I Europa Tier 2 (2007-2008) - RS50 - 60

A-05
03



A0503

Crankshaft, pistons and connecting rods

RS50\00010944.png

Inglese

21 32186137

3 Screw

! This is a component of an assembly

☞ Not serviced, order

⚡ Shim

● Replacement

(X) Qty per tractors sold (aa.bbb.ccc.ddd) (aa) for 1,(bbb) 2-10 (ccc) 11-25 (ddd) 26-50

T-A Replacement

A Blue

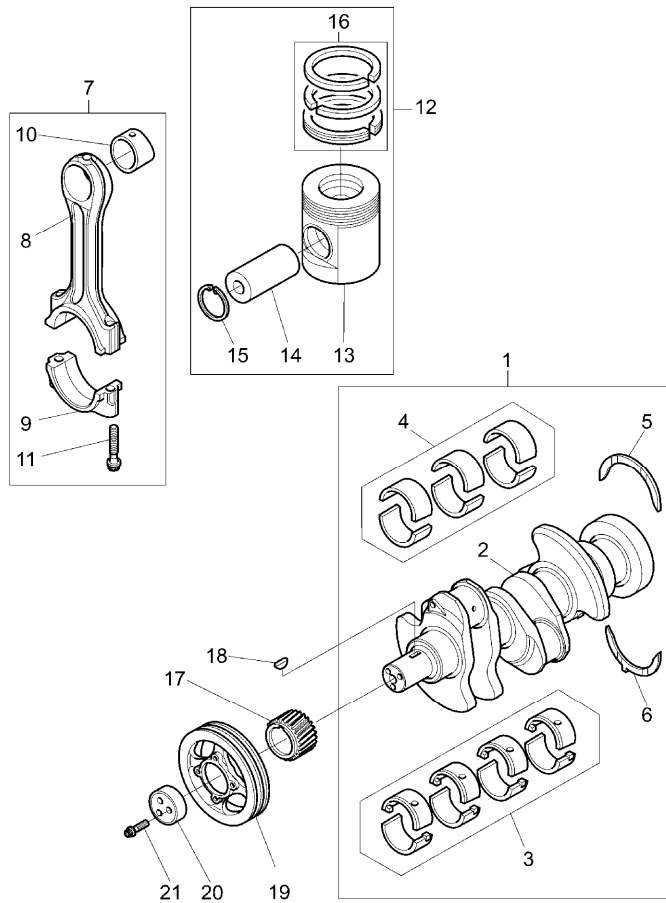
B Purple

C Green

D White

E Orange

F Red



Engine

C-I Europa Tier 2 (2007-2008) - RS50 - 60

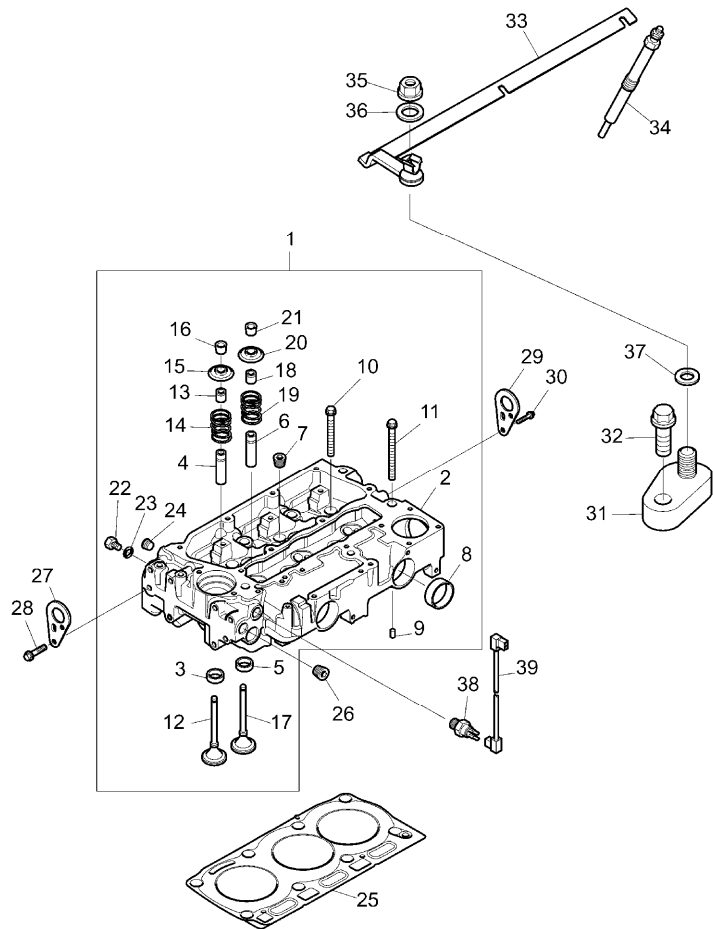
RS50\00010945.png

**A-05
04**



A0504

Cylinder head



			Inglese
1	4181V039	T-A 4:0	1 Head
		T-B 7:0	
2	!	1	1 Head
		➡ Ref.n.1	
3	3314A241	!	3 Insert
		T-A 7:50	
4	3313A012	!	3 Insert
		T-A 7:50	
5	3314A231	!	3 Insert
		T-A 7:50	
6	3313A012	!	3 Insert
		T-A 7:50	
7	0650588	!	3 Plug
		T-A 0:50	
8	32416117	!	3 Plug
		T-A 1:0	
9	3244A009	!	2 Dowel
10	3218A011	!	5 Screw
11	3218A012	!	3 Screw
12	3142H071	!	3 Valve
		T-A 7:50	
13	2418M519	!	3 Ring
		T-A 3:0	
14	3174A016	!	3 Spring
		T-A 3:0	

Engine

C-I Europa Tier 2 (2007-2008) - RS50 - 60

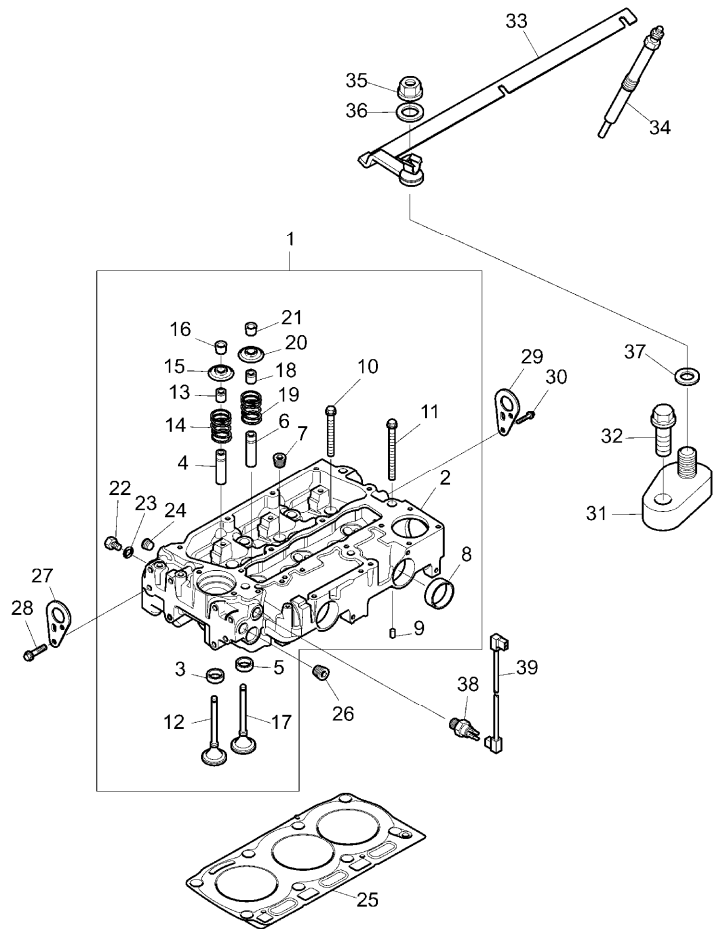
RS50\00010945.png

**A-05
04**



A0504

Cylinder head



				Inglese
15	3342A011	!	1	3 Cover
		T-A	3:0	
16	3142W004	!	1	6 Cotter
		T-A	3:0	
17	3142A151	!	1	3 Valve
		T-A	7:50	
18	2418M517	!	1	3 Ring
		T-A	3:0	
19	3174A016	!	1	3 Spring
		T-A	3:0	
20	3342A011	!	1	3 Cover
		T-A	3:0	
21	3142W004	!	1	6 Cotter
		T-A	3:0	
22	3278A006	!	1	1 Plug
23	2415H003	!	1	1 Ring
24	2431154	!	1	3 Plug
25	3681E049	(X)	0.1.3.	1 Gasket
		T-A	4:0	
26	2431154			1 Plug
27	3617A015			1 Stirrup
28	2314J002			2 Screw
29	3617A015	T-A	3:0	1 Stirrup
30	2314J002			2 Screw
31	3881A006			1 Insulator

Engine

C-I Europa Tier 2 (2007-2008) - RS50 - 60

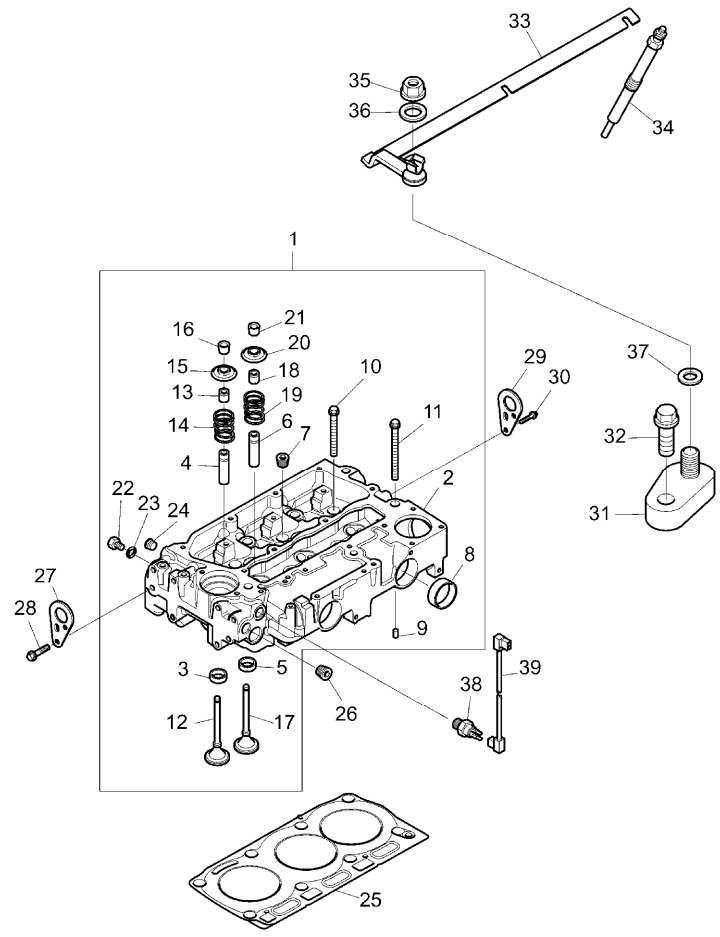
RS50\00010945.png

A-05
04



A0504

Cylinder head



Inglese

32	2314F004		1	Screw
33	3812A031	T-A 0:50	1	Bar
34	2666A016	T-A 0:75	3	Spark plug
35	2318A602		1	Nut
36	2134A609		1	Washer
37	0920002		1	Washer
38	2848A127	A	1	Sensor
39	3161C017	T-A 0:25	1	Cable

! This is a component of an assembly

Not serviced, order

(X) Qty per tractors sold (aa.bbb.ccc.ddd) (aa) for 1,(bbb) 2-10 (ccc) 11-25 (ddd) 26-50

T-A Replacement

T-B Overhaul

A Water temperature

Engine

C-I Europa Tier 2 (2007-2008) - RS50 - 60

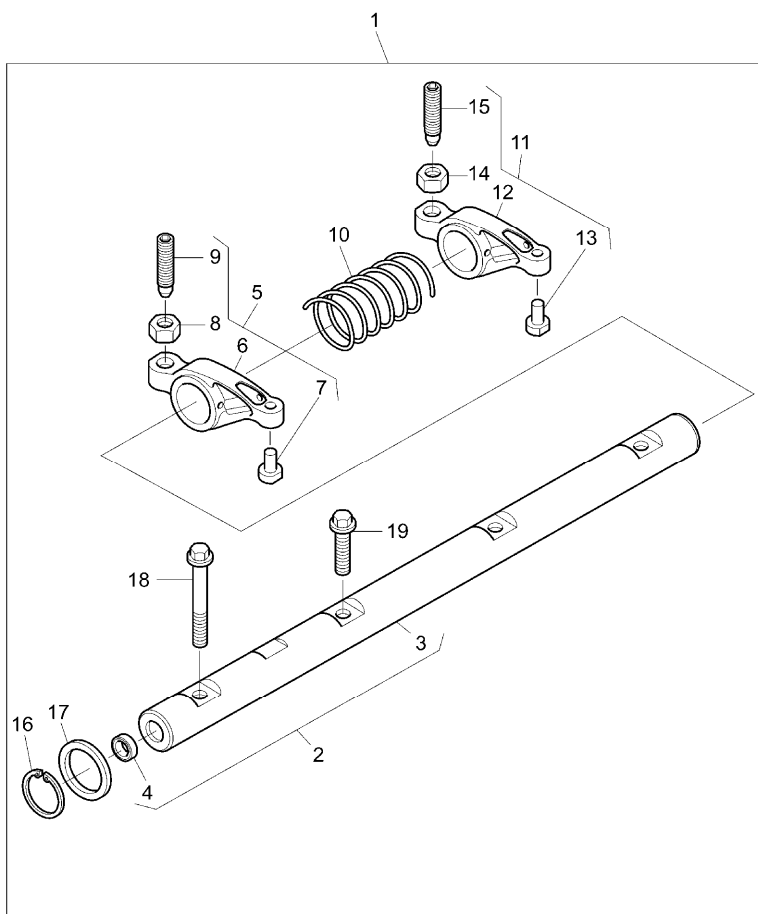
RS50\00010918.png

A-05
05



A0505

Rocker shaft



			Inglese
1	4115R611	T-A 4:0	1 Shaft
2	4115R702	! 1	1 Shaft
		T-A 4:0	
3		! 2	1 Shaft
		➡ Ref.n.2	
4	2485A104	! 2	2 Plug
		T-A 4:0	
5	4115R314	! 1	3 Rocker
		T-A 4:0	
6		! 5	1 Rocker
		➡ Ref.n.5	
7		! 5	1 Shim
		➡ Ref.n.5	
8	0576052	! 5	1 Nut
9	32114145	! 5	1 Screw
10	3174A015	! 1	2 Spring
		T-A 4:0	
11	4115R315	! 1	3 Rocker
		T-A 4:0	
12		! 11	1 Rocker
		➡ Ref.n.11	
13		! 11	1 Shim
		➡ Ref.n.11	
14	0576052	! 11	1 Nut
15	32114145	! 11	1 Screw
		T-A 1:25	

Engine

C-I Europa Tier 2 (2007-2008) - RS50 - 60

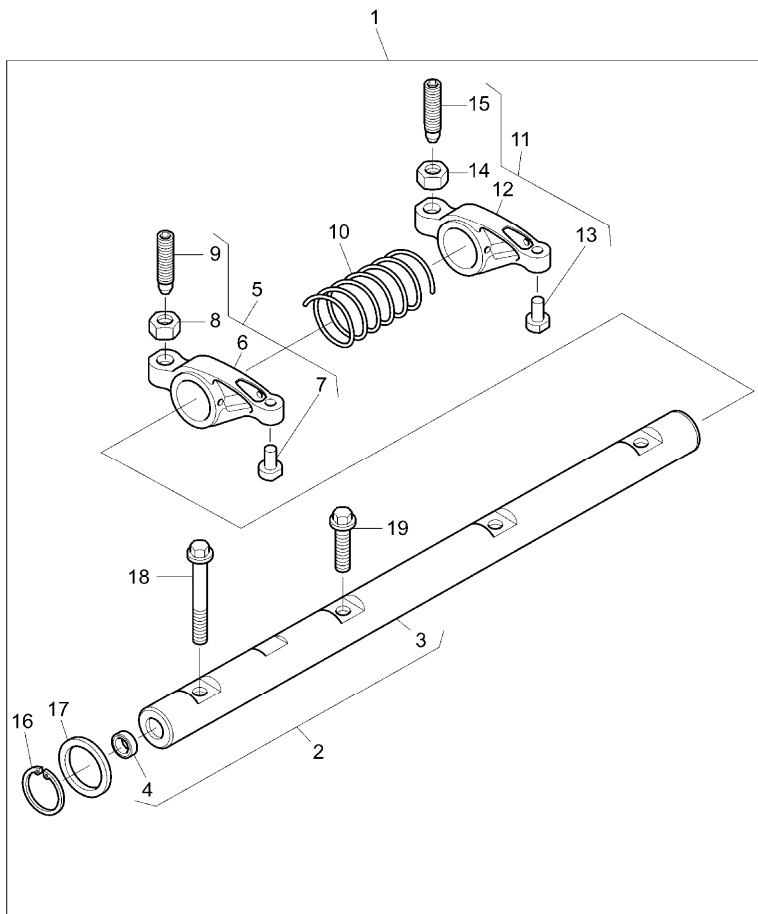
RS50\00010918.png

A-05
05



A0505

Rocker shaft



16 2722A022 ! 1

17 2134A502 ! 1

T-A 4:0

18 2316A901 ! 1

19 2316A902 ! 1

! This is a component of an assembly

Not serviced, order

T-A Replacement

Inglese

2 Ring

2 Washer

1 Screw

2 Screw

Engine

C-I Europa Tier 2 (2007-2008) - RS50 - 60

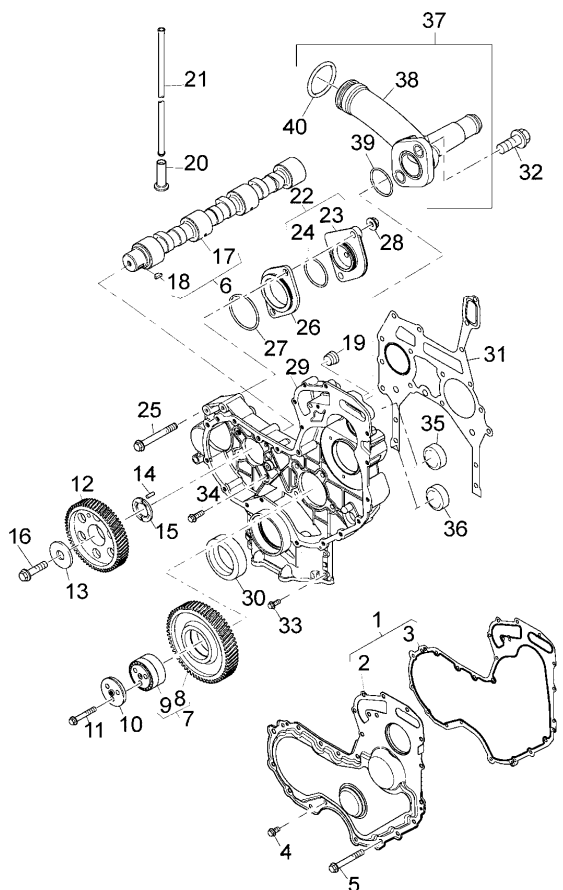
RS50\00040005.png

A-05
06



A0506

Timing gear and camshaft



			Inglese
1	4142A503	T-A 4:50	1 Kit
2		! 31	1 Overlay
		➡ Ref.n.1	
3	3681P046	! 31	1 Gasket
		(X) 0.1.3.	
		T-A 4:50	
4	2314H002		9 Screw
5	2314H012		5 Screw
6	4112k047	T-A 14:0	1 Shaft
7	4111A042	● 4111A048(1)	1 Gear
		T-A 4:75	
8		! 7	1 Gear
		➡ Ref.n.7	
9		! 7	1 Hub
		➡ Ref.n.7	
10	3321A012	! 7	1 Plate
		T-A 4:75	
11	2314J012		3 Screw
12	3117L272	T-A 4:75	1 Gear
13	3321A003	T-A 4:75	1 Washer
14	2116053		1 Pin
15	3112X011	T-A 4:75	1 Washer
16	2314J606		1 Screw
17		! 6	1 Shaft
		➡ Ref.n.6	

Engine

C-I Europa Tier 2 (2007-2008) - RS50 - 60

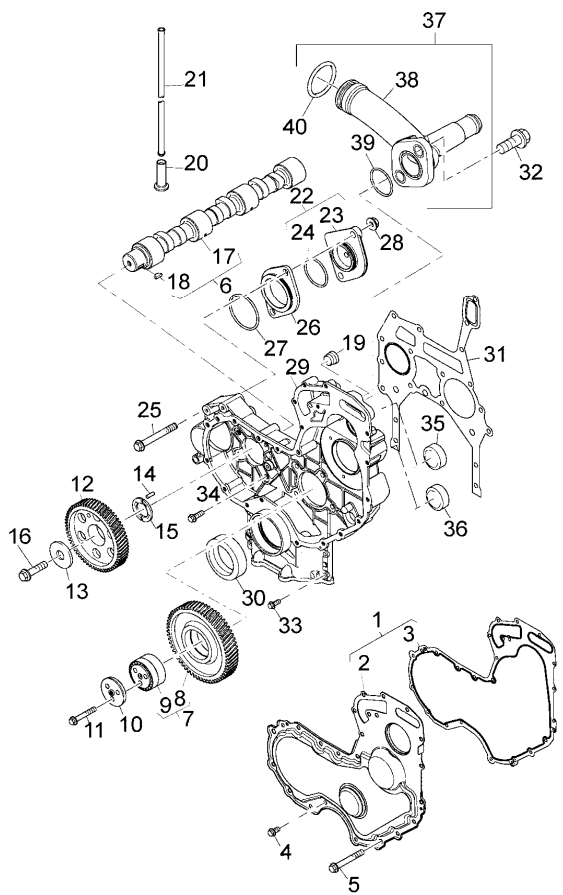
RS50\00040005.png

A-05
06



A0506

Timing gear and camshaft



18	0500012	!	6
19	2431154		
20	3142U991	T-A	14:25
21	31434307	T-A	2:75
22	4148K012	T-A	4:75
23		!	22
		➡	Ref.n.22
24	2415H515	T-A	4:75
25	2314J014		
26	3617a044	T-A	4:75
27	2415H516	T-A	4:75
28	2318A604		
29	3716C581	T-A	4:75
30	2418F437	(X)	0.1.3.
		T-A	4:75
31	3681P053	T-A	4:75
32	2314H003		
33	2314H003		
34	2314H034		
35	2485A124		
36	2485A118		
37	4133L049	T-A	4:75
38		!	37
		➡	Ref.n.37

Inglese

- 1 Key
- 1 Plug
- 6 Tappet
- 6 Rod
- 1 Plate
- 1 Plate
- 1 Ring
- 2 Screw
- 1 Disc
- 1 Ring
- 2 Nut
- 1 Housing
- 1 Seal
- 1 Gasket
- 2 Screw
- 8 Screw
- 4 Screw
- 1 Plug
- 1 Plug
- 1 Connection
- 1 Connection

Engine

C-I Europa Tier 2 (2007-2008) - RS50 - 60

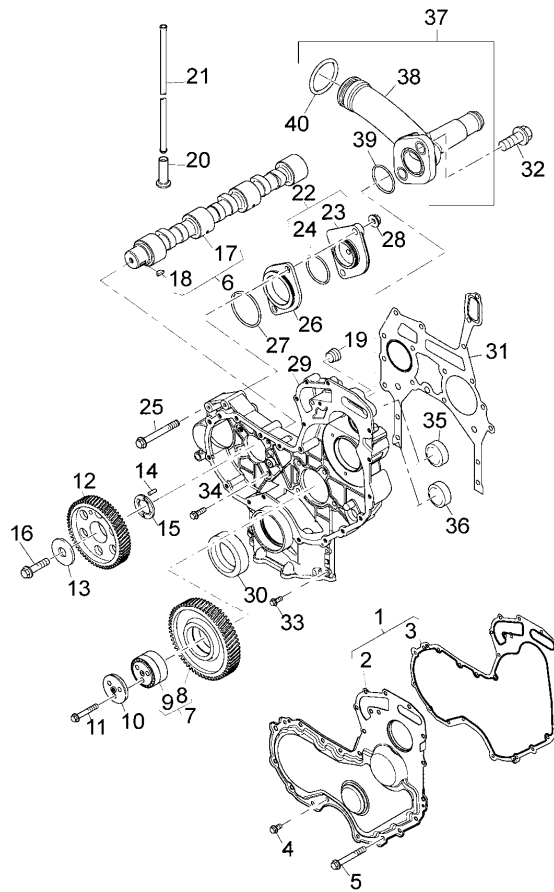
RS50\00040005.png

A-05
06



A0506

Timing gear and camshaft



Inglese

39	2418F001	!	37	1	Ring
			T-A 4:75		
40	2418F002	!	37	1	Ring
			T-A 4:75		

! This is a component of an assembly

Not serviced, order

Replacement

(X) Qty per tractors sold (aa.bbb.ccc.ddd) (aa) for 1,(bbb) 2-10 (ccc) 11-25 (ddd) 26-50

T-A Replacement

Engine

C-I Europa Tier 2 (2007-2008) - RS50 - 60

RS50\00010921.png

**A-05
07**



A0507

Oil pump

Inglese

- 1 4132F072 T-A 4:0
- T-B 5:0

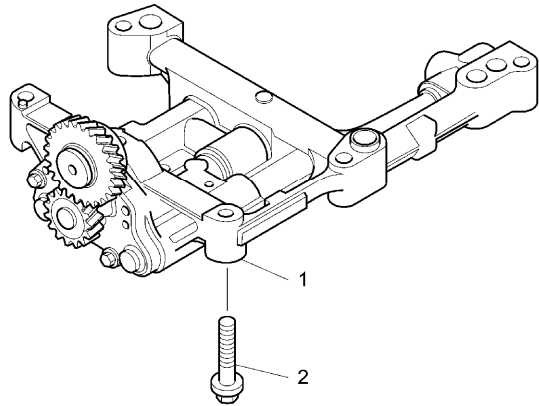
- 2 2314J008

T-A Replacement

T-B Overhaul

- 1 Pump

- 5 Screw



Engine

C-I Europa Tier 2 (2007-2008) - RS50 - 60

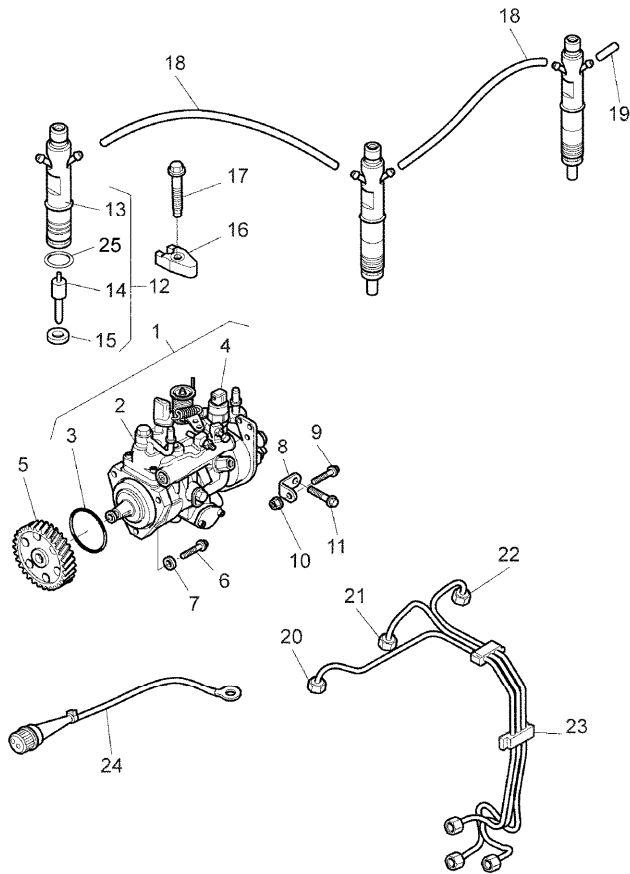
RS50\00040007.png

**A-05
08**



A0508

Fuel injection equipment (diesel)



		Inglese	
1	2643B328	T-A 5:0	1 Pump
2		! 1	1 Pump
		➡ Ref.n.1	
3	26420318	! 1	1 Ring
		T-A 4:50	
4	26420469	! 1	1 Solenoid
		(X) 0.1.2.	
		T-A 0:25	
5	3117L261	T-A 4:50	1 Gear
6	2314H004		3 Screw
7	2411D008		3 Washer
8	3641A007		1 Stirrup
9	2314H004		1 Screw
10	2318A603		1 Nut
11	2314J002		1 Screw
12	2645K016	T-A 2:0	3 Atomiser
13		! 12	1 Atomiser
		➡ Ref.n.12	
14		! 12	1 Nozzle
		➡ Ref.n.12	
		T-A 2:0	
15	L311FF02	! 12	1 Washer
		T-A 2:0	
16	3751A241	T-A 2:0	3 Clamp
17	2314W009		3 Screw

Engine

C-I Europa Tier 2 (2007-2008) - RS50 - 60

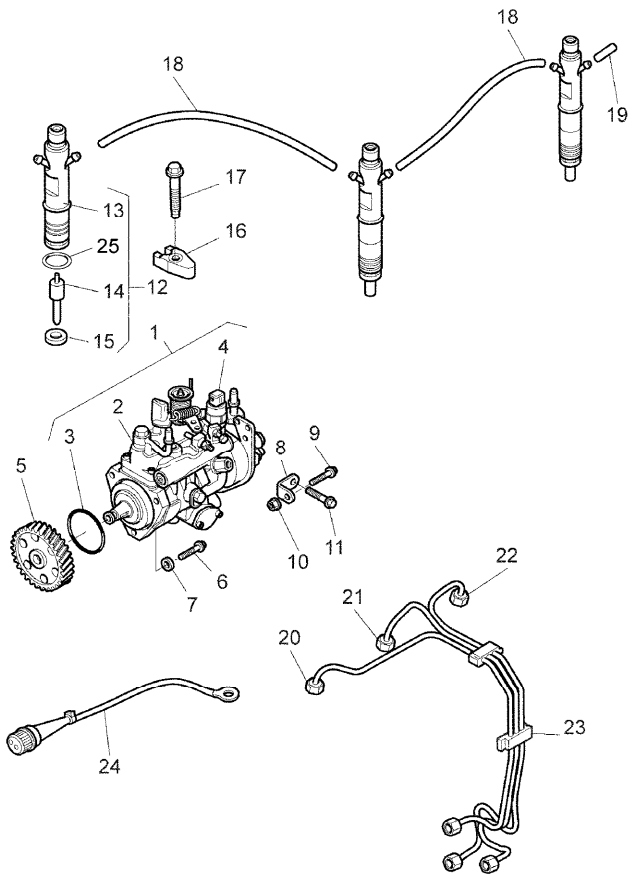
**A-05
08**



A0508

Fuel injection equipment (diesel)

RS50\00040007.png



				Inglese
18	2646F501	T-A	0:25	2 Pipe
19	2646E501	T-A	0:25	1 Cap
20	3525A111	T-A	0:25	1 Pipe
21	3525A112	T-A	0:25	1 Pipe
22	3525A113	T-A	0:25	1 Pipe
23	2646E018			2 Clip
24	3673286M91			1 Cable
25	26460064	!	12	1 Ring
! This is a component of an assembly				
🔧 Not serviced, order				
(X) Qty per tractors sold (aa.bbb.ccc.ddd) (aa) for 1,(bbb) 2-10 (ccc) 11-25 (ddd) 26-50				
T-A Replacement				

Engine

C-I Europa Tier 2 (2007-2008) - RS50 - 60

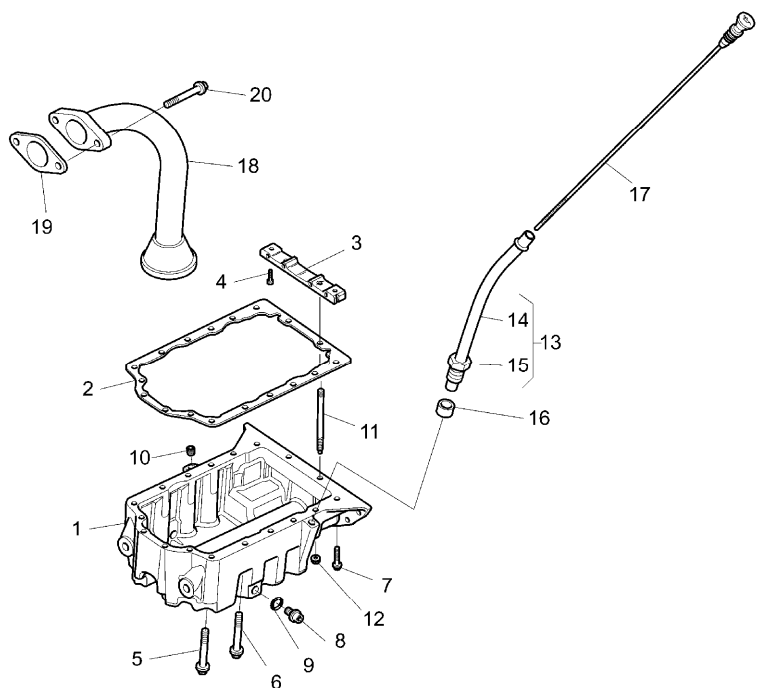
RS50\00010982.png

A-05
09



A0509

Lubricating oil sump



		Inglese	
1	3717C142 T-A 2:0	1	Sump
2	3681K038 (X) 0.1.3.	1	Gasket
	T-A 2:0		
3	3627P041 T-A 2:0	1	Crosspiece
4	2311D039	2	Screw
5	2314H022 ● 2314H052(2)	2	Screw
6	2314H015	8	Screw
7	2314K159	2	Screw
8	32186405	2	Plug
9	2415715	2	Ring
10	2431A016	1	Plug
11	3211P022	2	Stud
12	2318A603	2	Nut
13	3577A159 T-A 0:25	1	Pipe
14	! 13	1	Pipe
	➡ Ref.n.13		
15	3353D005 ! 13	1	Nut
16	33812116 T-A 0:25	1	Olive
17	3178C182 (X) 0.1.3.	1	Rod
	T-A 0:25		
18	3575A064 T-A 2:25	1	Pipe
19	36832137 T-A 2:25	1	Gasket
20	2314H004	2	Screw

! This is a component of an assembly

➡ Not serviced, order

Engine

A-05
09

Lubricating oil sump

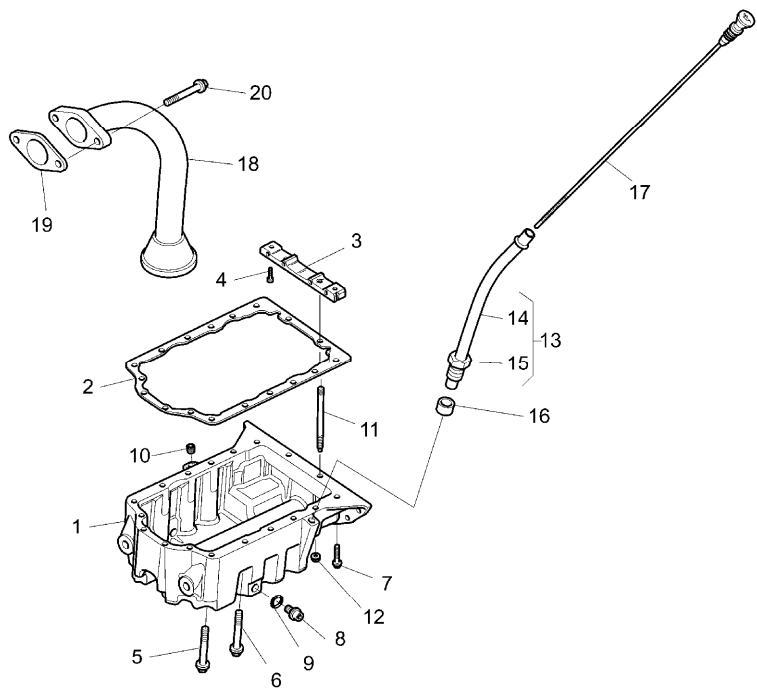
C-I Europa Tier 2 (2007-2008) - RS50 - 60



A0509

RS50\00010982.png

- Replacement
- (X) Qty per tractors sold (aa.bbb.ccc.ddd) (aa) for 1,(bbb) 2-10 (ccc) 11-25 (ddd) 26-50
- T-A Replacement



Engine

C-I Europa Tier 2 (2007-2008) - RS50 - 60

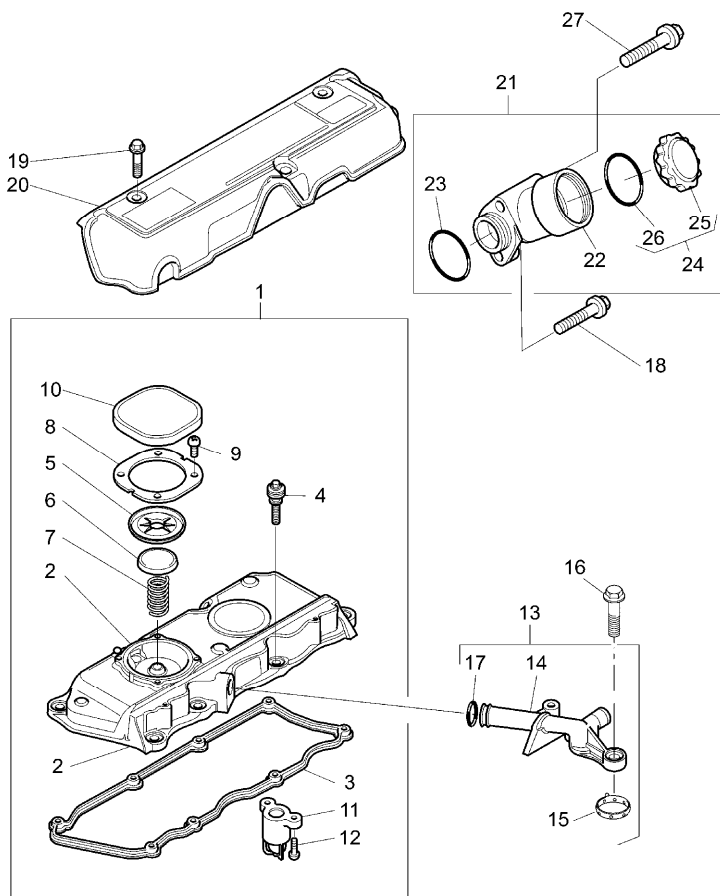
RS50\00040011.png

A-05
10



A0510

Lubricating oil filler and breather



1	4142X392	T-A	1:0
2		!	1
3	3681A057	➡	Ref.n.1
		!	1
		(X)	0.1.3.
		T-A	1:0
4	2161A013		
5	3789A001	!	1
		T-A	0:25
6	3788A002	!	1
		T-A	0:25
7	3174A017	!	1
		T-A	0:50
8	3615A009	!	1
		T-A	0:25
9	2152A034	!	1
10	3788A003	!	1
		T-A	0:25
11	2652A019	!	1
		T-A	1:0
12	2314D106	!	1
13	4134K021	T-A	0:50
14		!	13
		➡	Ref.n.13
15	2415H701	!	13
		T-A	0:50

Inglese

- 1 Coperch.
- 1 Cover
- 1 Coperch.
- 8 Screw
- 1 Diaphragm
- 1 Cap
- 1 Spring
- 1 Plate
- 4 Screw
- 1 Cap
- 1 Valve
- 2 Screw
- 1 Pipe
- 1 Pipe
- 1 Ring

Engine

C-I Europa Tier 2 (2007-2008) - RS50 - 60

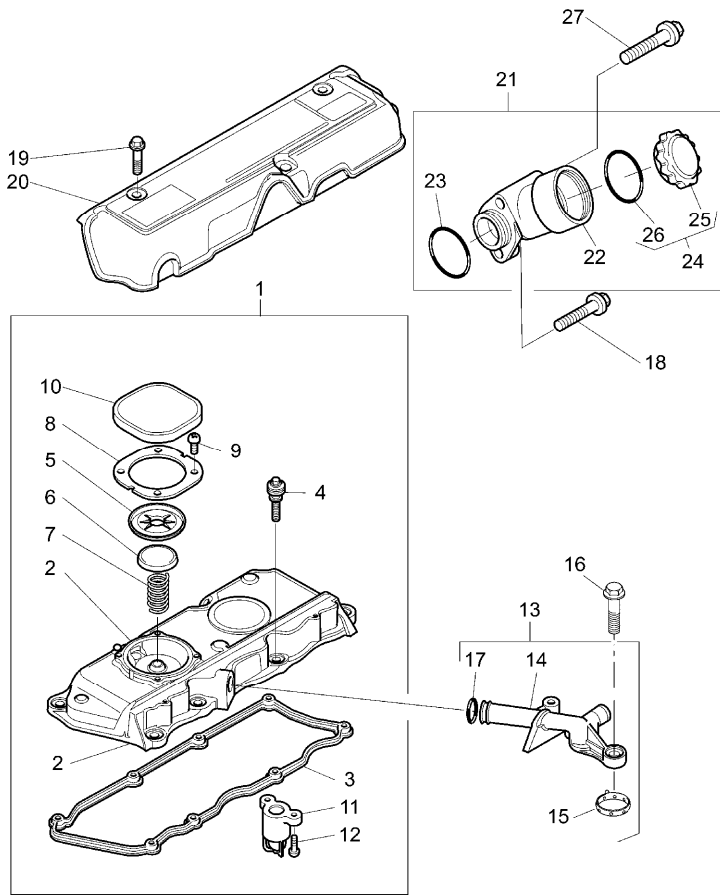
RS50\00040011.png

**A-05
10**



A0510

Lubricating oil filler and breather



		Inglese	
16	2314F005		2 Screw
17	2415A068	! 13 T-A 0:50	1 Ring
18	2314H005		1 Screw
19	2314F003	T-A 0:50	3 Screw
20	3788N004		1 Guard
21	4134C072		1 Filler
22		! 21 ➡ Ref.n.21	1 Body
23	2415H540	! 21 T-A 0:25	1 Ring
24	4142X098	! 21 (X) 0.1.2. T-A 0:25	1 Plug
25		! 24 ➡ 24	1 Plug
26	2415633	! 24 T-A 0:25	1 O ring
27	2314K161		1 Screw
!	This is a component of an assembly		
➡	Not serviced, order		
(X)	Qty per tractors sold (aa.bbb.ccc.ddd) (aa) for 1,(bbb) 2-10 (ccc) 11-25 (ddd) 26-50		
T-A	Replacement		

Engine

C-I Europa Tier 2 (2007-2008) - RS50 - 60

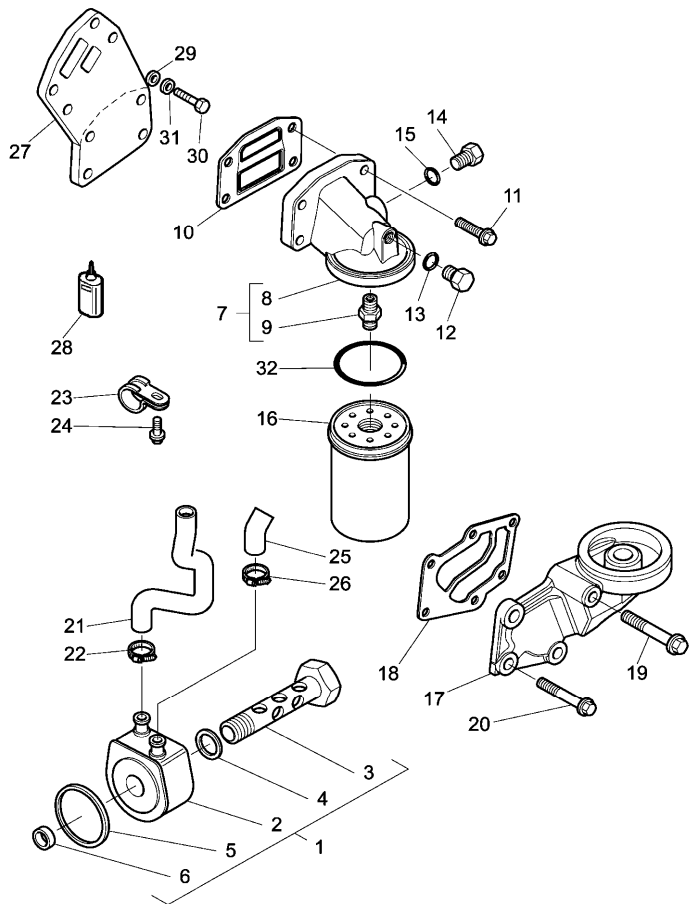
A-05
11



A0511

Heat exchanger and lubricating oil filter

RS50\000014760.png



		Inglese	
1	2486A221	● 2486A241(1) T-A 1:0	1 Cooler
2		! 1	1 Cooler
3	2486A224	➡ Ref.n.1 ! 1 T-A 1:0	1 Adaptor
4	2411A524	! 1 ● 2411A525(1) T-A 1:0	1 Gasket
5	2486A223	! 1 T-A 1:0	1 Gasket
6	3311A042	T-A 1:0	1 Seal
7	3773A061	T-A 0:50	1 Head
8		! 7 ➡ Ref.n.7	1 Head
9	33554128	! 7 T-A 0:25	1 Union
10	3688A039	T-A 0:50	1 Gasket
11	2314H034		4 Screw
12	3278A007		1 Plug
13	2415H009	T-A 0:25	1 O ring
14	3278A004		1 Plug
15	2415H002	T-A 0:25	1 Ring
16	2654403		1 Filter
17	3766A171	T-A 0:25	1 Adaptor



Suggest:

For more complete manuals. Please go to the home page.

<https://www.ebooklibonline.com>

If the above button click is invalid. Please download this document first, and then click the above link to download the complete manual.

Thank you so much for reading

Engine

C-I Europa Tier 2 (2007-2008) - RS50 - 60

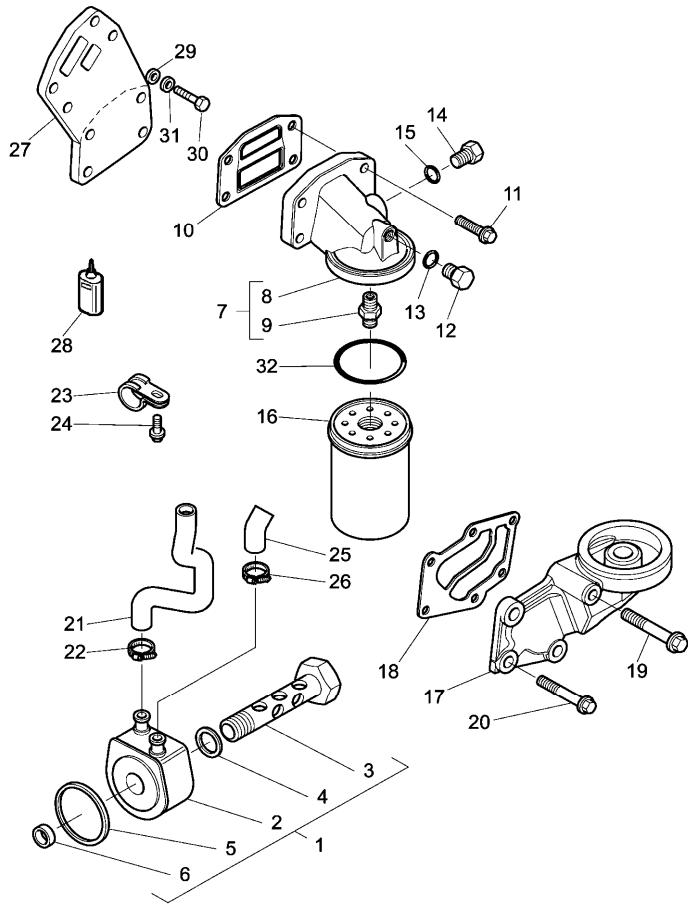
RS50\000014760.png

**A-05
11**



A0511

Heat exchanger and lubricating oil filter



				Inglese
18	3687M037	(X)	0.1.2.	1 Gasket
			T-A 0:25	
19	2314H010			2 Screw
20	2314H004			4 Screw
21	3482V093	T-A	0:25	1 Pipe
22	2481877			2 Clamp
23	2481D156			1 Clip
24	2314H002			1 Screw
25	3482H023	T-A	0:25	1 Pipe
26	2481877			2 Clamp
27	3670728M1			1 Support
28	3663814M1	●	1427801M2(999) 999	Loctite
29	339374X1	●	Substitutions error	4 Lock & seal
30	1440349X1		M8x30	4 Screw
31	390972X1	●	Substitutions error	4 Washer
32	3672135M1			2 Gasket
!	This is a component of an assembly			
🔧	Not serviced, order			
●	Replacement			
(X)	Qty per tractors sold (aa.bbb.ccc.ddd) (aa) for 1,(bbb) 2-10 (ccc) 11-25 (ddd) 26-50			
T-A	Replacement			

Engine

C-I Europa Tier 2 (2007-2008) - RS50 - 60

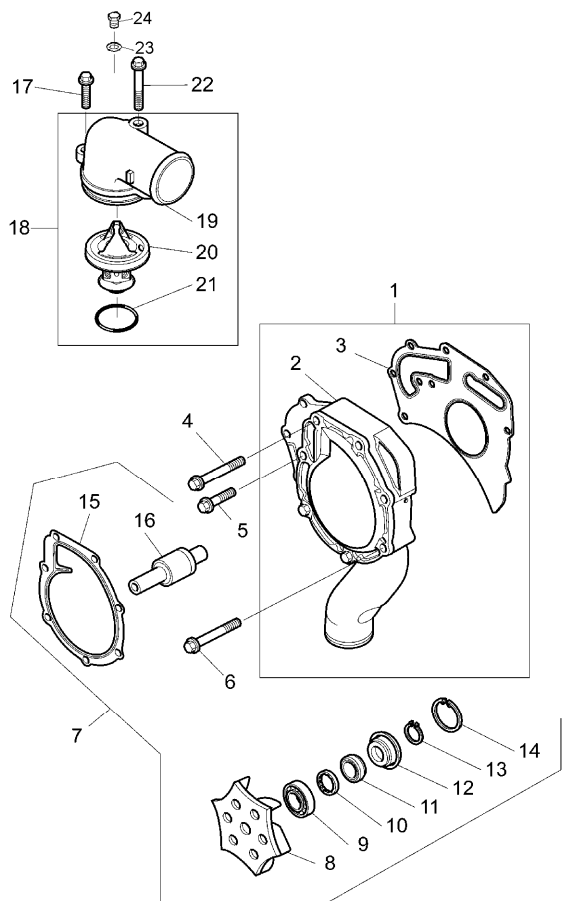
A-05
12



A0512

Water pump, thermostat and heat exchanger

RS50\00040012.png



		Inglese	
1	U5MW0208	T-A 2:25	1 Kit
2		! 1	1 Pump
		➡ Ref.n.1	
3	3682A011	! 1	1 Gasket
		(X) 0.1.3.	
		T-A 2:25	
4	2314K164		2 Screw
5	2314H005		2 Screw
6	2314H012		5 Screw
7	U7LW0174	● U5MW0208(1) T-A 2:25	1 Kit,repair
8		! 7	1 Fan
		➡ Ref.n.7	
9		! 7	1 Bearing roller
		➡ Ref.n.7	
10		! 7	1 Bearing
		➡ Ref.n.7	
11		! 7	1 Gasket
		➡ Ref.n.7	
12		! 7	1 Gasket
		➡ Ref.n.7	
13		! 7	1 Ring
		➡ Ref.n.7	
14		! 7	1 Ring
		➡ Ref.n.7	

<https://www.ebooklibonline.com>

Hello dear friend!

Thank you very much for reading.

Enter the link into your browser.

The full manual is available for immediate download.

<https://www.ebooklibonline.com>