

Engine

Bmax Tier 3 (2011-) - RT64 - 105

RT64\00005170.png

A-05
01

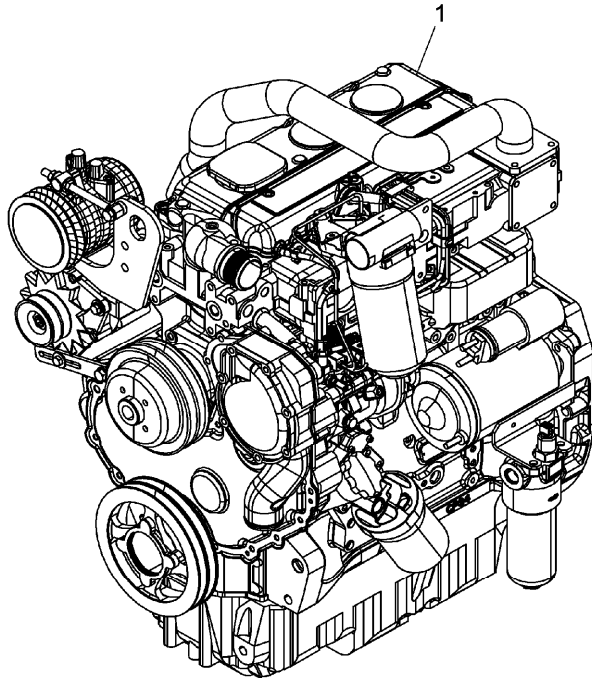


A0501

Engine assembly

Inglese

1 3692624M91 "perkins - n138965 1 Engine
72.5 kw



Engine

Bmax Tier 3 (2011-) - RT64 - 105

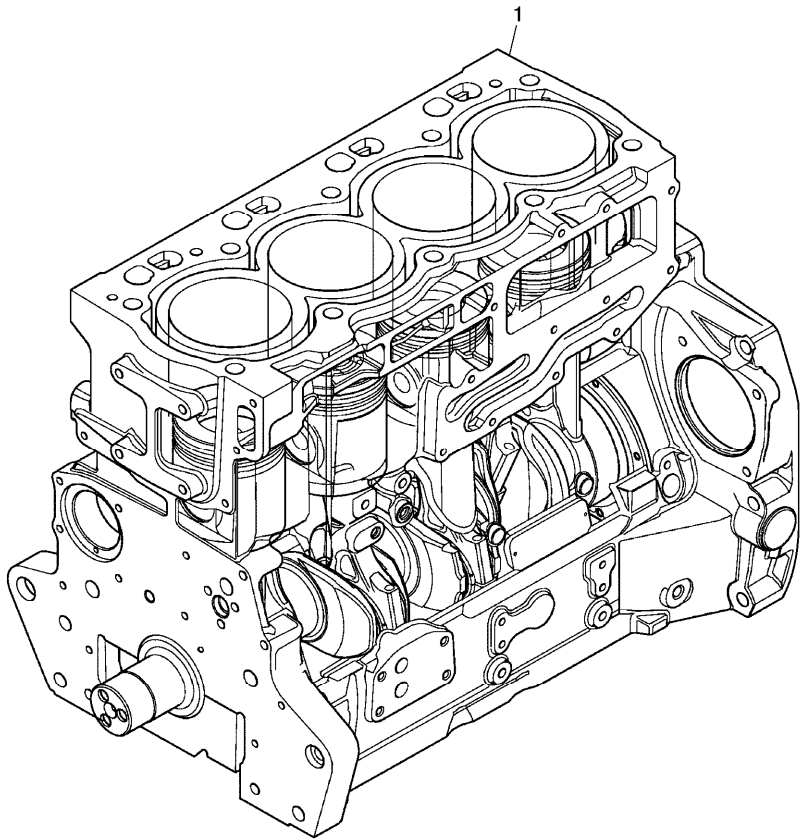
RT64\000015070.png

A-05
02



A0502

Short engine



1 NM40008

● Replacement

● 3115A141(1),
32186146(3), NM4

Inglese

1 Short engine

Engine

Bmax Tier 3 (2011-) - RT64 - 105

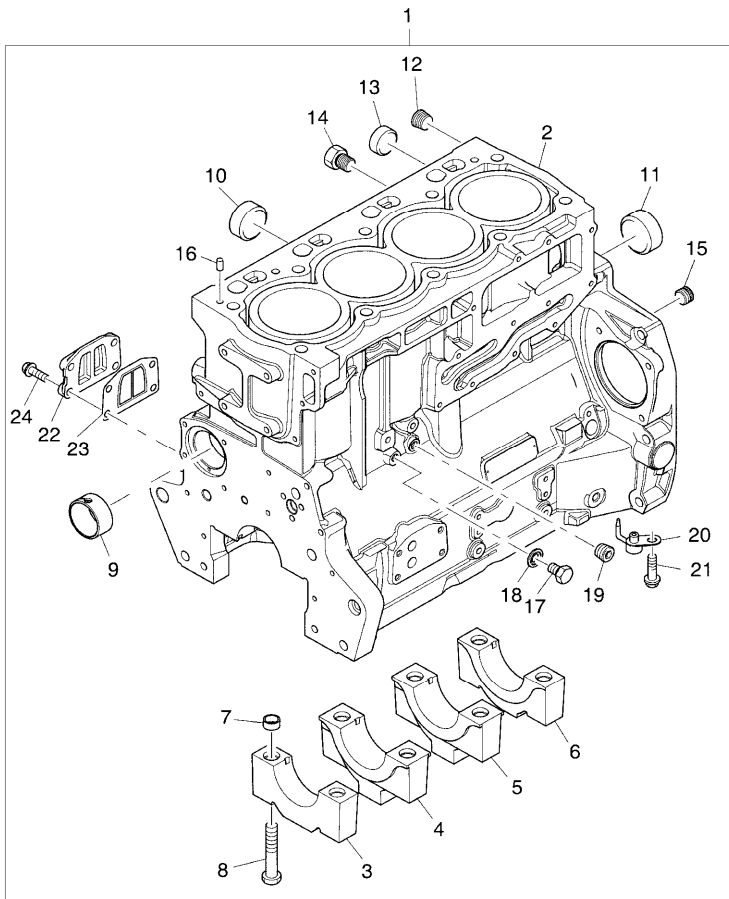
RT64\000015072.png

A-05
03



A0503

Cylinder block



			Inglese
1	👁	A-05 02 1	1 Kit
2	!	1	1 Cylinder block
3	➡	Ref.n.1	1 Bearing
4	!	1	2 Bearing
5	➡	Ref.n.1	1 Bearing
6	!	1	1 Bearing
7	!	33142111	10 Manicott
8	!	32166329	10 Screw
9	!	3112D071	1 Bush
	●	3112D075(1)	
10	!	3241A011	2 Plug
11	!	3241A012	1 Plug
12	!	0650588	1 Plug
13	!	0650710	1 Plug
14	!	32141316	1 Plug
15	!	3212P008	1 Plug
16	!	3244A009	2 Dowel
17	!	2314C049	1 Screw
18	!	2415D053	1 Washer
19	!	0650594	1 Plug

<https://www.ebooklibonline.com>

Hello dear friend!

Thank you very much for reading.

Enter the link into your browser.

The full manual is available for immediate download.

<https://www.ebooklibonline.com>

Engine

Bmax Tier 3 (2011-) - RT64 - 105

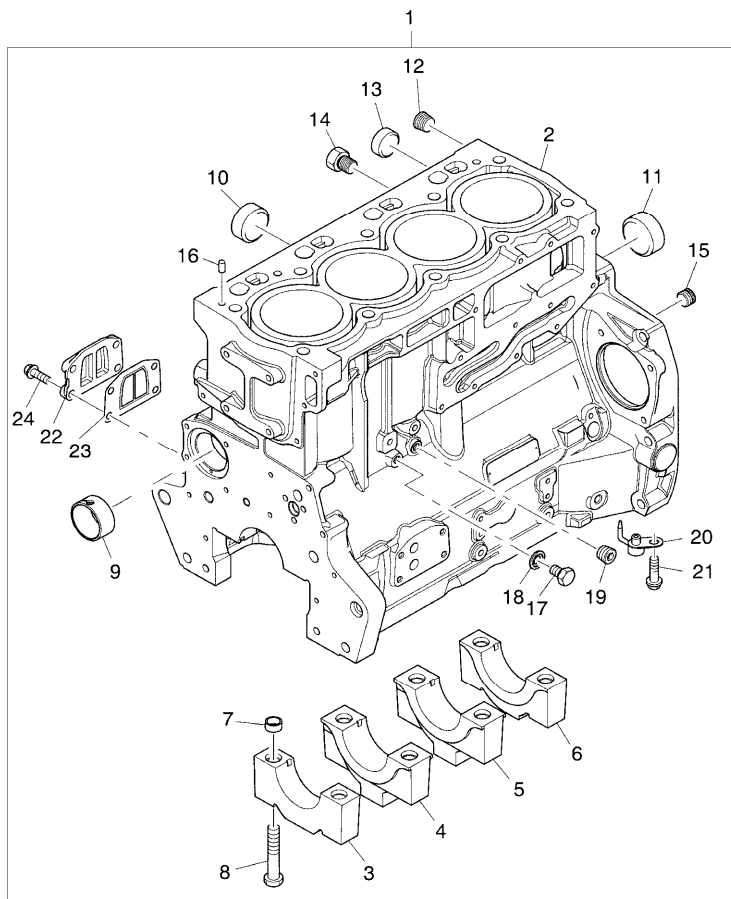
RT64\000015072.png

A-05
03



A0503

Cylinder block



- 20 2113A003 ! 1
- 21 2314F001 ! 1
- 22 3753A071 ! 1
- 23 3688A041 ! 1
- 24 2314H034 ! 1

Inglese

- 4 Atomiser
- 4 Screw
- 1 Coperch.
- 1 Ring
- 4 Screw

! This is a component of an assembly

👁 See page - reference number

🔧 Not serviced, order

● Replacement

Engine

Bmax Tier 3 (2011-) - RT64 - 105

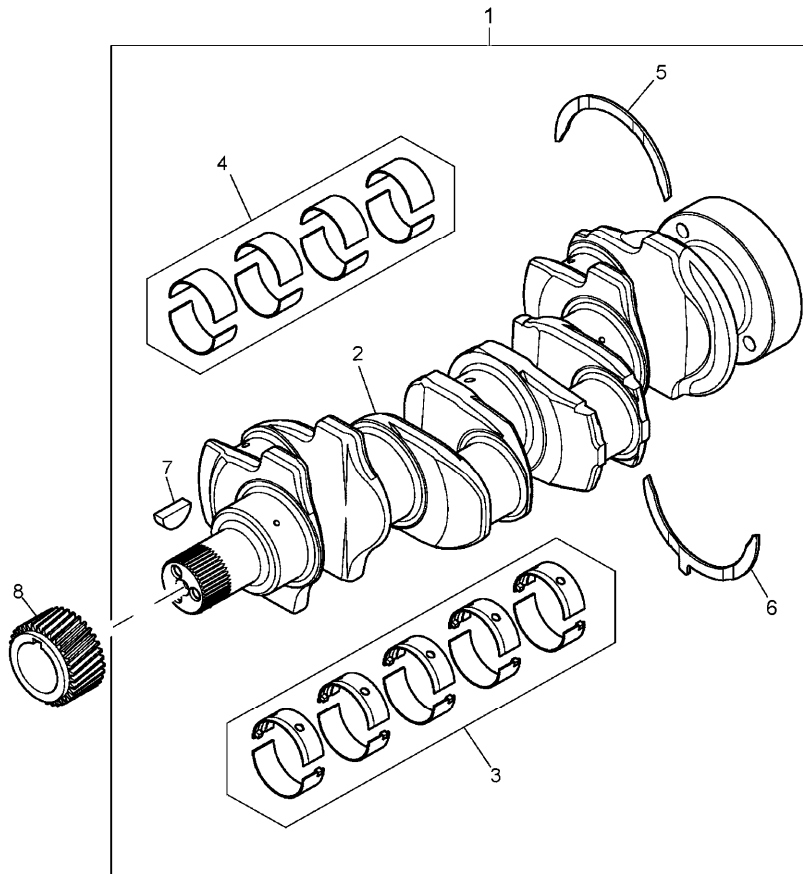
RT64\000015073.png

A-05
04



A0504

Camshaft




		Inglese	
1	ZZ90222	➔ U491476 t ● ZZ90239(1) T-A 15:0	1 Kit
1	ZZ90237	➔ U491477 t	1 Shaft
2		! 1	1 Shaft
		➔ Ref.n.1	
3	U5MB0018	! 1 ● U5MB0033(1) T-A 15:0	1 Kit
3	U5MB0018A	! 1 ⚡ 0.010" ● U5MB0033A(1) T-A 15:0	1 Kit
3	U5MB0018B	! 1 ⚡ 0.020" ● U5MB0033B(1) T-A 15:0	1 Kit
3	U5MB0018C	! 1 ⚡ 0.030" ● N.L.A.(1) T-A 15:0	1 Kit
4	T400002	! 1 ➔ U491477 t ● T410927(1)	1 Kit

Engine

Bmax Tier 3 (2011-) - RT64 - 105

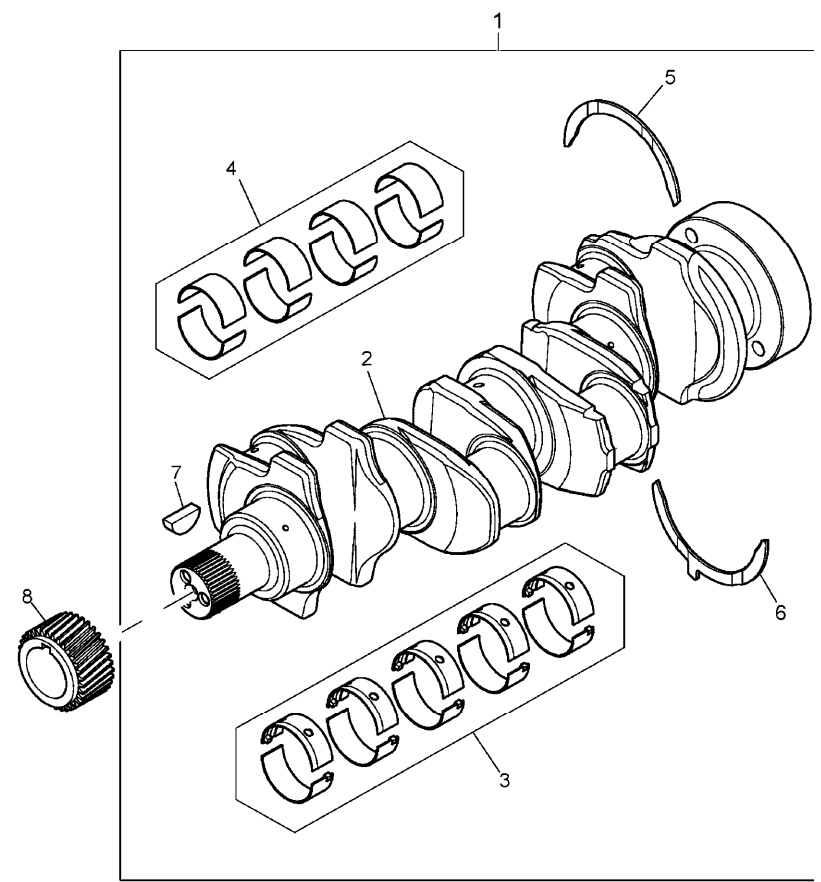
**A-05
04**



A0504

Camshaft

RT64\000015073.png



Inglese

4	U5ME0026	!	1	1 Kit
		➔	U491476 t	
		●	U5ME0034(1)	
4	U5ME0026A	!	1	1 Kit
		⌵	0.25mm	
		➔	U491476 t	
		●	U5ME0034A(1)	
4	U5ME0026B	!	1	1 Kit
		⌵	0.50mm	
		➔	U491476 t	
		●	U5ME0034B(1)	
4	U5ME0026C	!	1	1 Kit
		⌵	0.75mm	
		➔	U491476 t	
		●	U5ME0034C(1)	
5	31137312	!	1	2 Ring
		⌵	0.007"	
		T-A	15:0	
5	31137551	!	1	2 Washer
		T-A	15:0	
6	31137322	!	1	2 Ring
		⌵	0.007"	
		T-A	15:0	
6	31137561	!	1	2 Washer
		T-A	15:0	

Engine

Bmax Tier 3 (2011-) - RT64 - 105

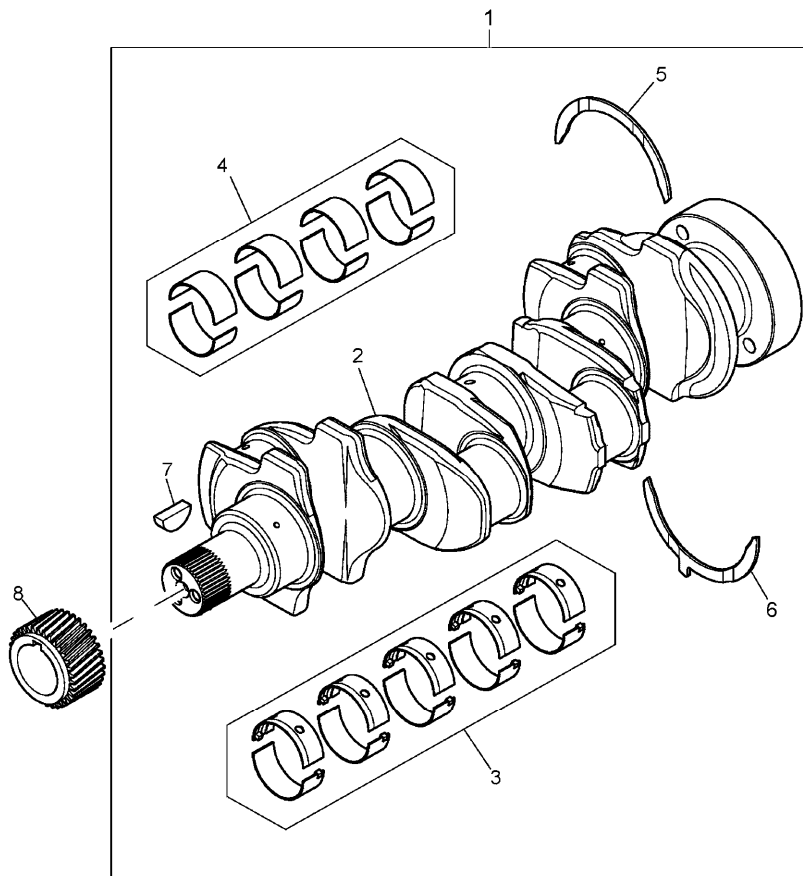
RT64\000015073.png

A-05
04



A0504

Camshaft



7 0500012 ! 1

T-A 10:0

8 3117C221 T-A 10:0

Inglese

1 Key

1 Gear

! This is a component of an assembly

➔ From serial or engine number

➔ Up to serial or engine number

⊔ Not serviced, order

⊔ Shim

● Replacement

T-A Replacement

Engine

Bmax Tier 3 (2011-) - RT64 - 105

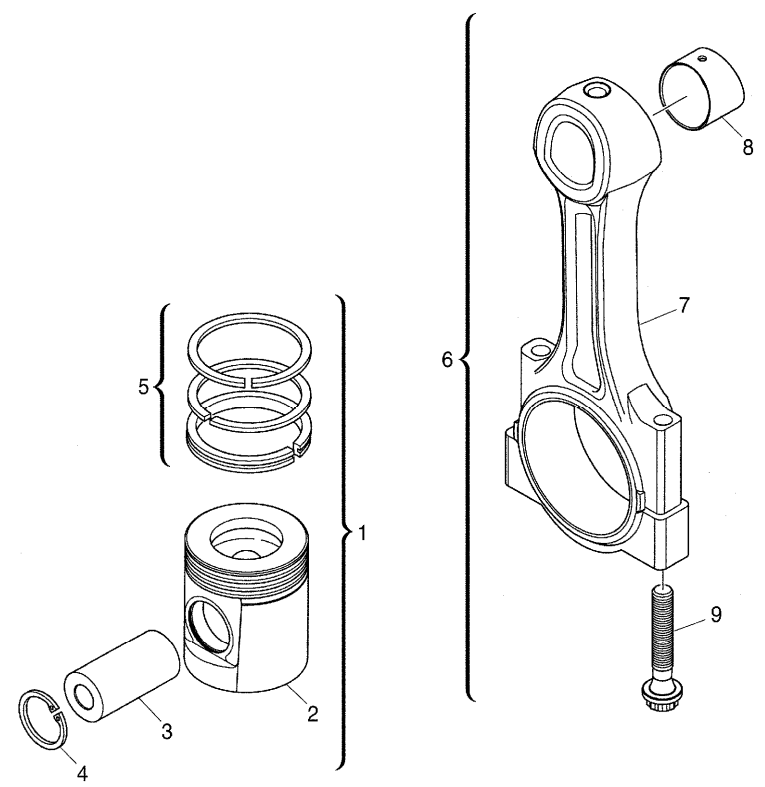
RT64\000020562.png

A-05
05



A0505

Pistons and connecting rods



			Inglese
1	U5PR0062	Std	4 Kit
1	U5PR0062B	+0,5 mm	4 Kit
2		! 1	1 Piston
		➡ Ref.n.1	
3		! 1	1 Bush
		➡ Ref.n.1	
4	2721332	! 1	2 Ring
5	UPRK0005	! 1	1 Kit
6	4115C311	➡ U491477 t	4 Kit
		A	
		T-A 14:0	
6	4115C312	➡ U491477 t	4 Kit
		B	
		T-A 14:0	
6	4115C313	➡ U491477 t	4 Kit
		C	
		T-A 14:0	
6	4115C314	➡ U491477 t	4 Kit
		D	
		T-A 14:0	
6	4115C315	➡ U491477 t	4 Kit
		E	
		T-A 14:0	
6	4115C316	➡ U491477 t	4 Kit
		F	
		T-A 14:0	

Engine

Bmax Tier 3 (2011-) - RT64 - 105

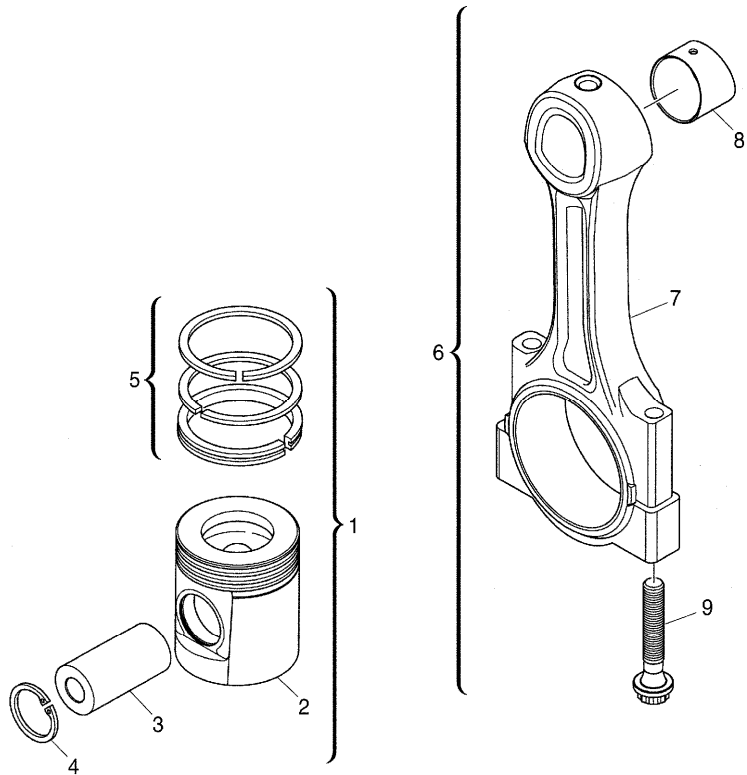
RT64\000020562.png

**A-05
05**



A0505

Pistons and connecting rods



Inglese

6	4115C361	➡	U491478 t	4	Conrod
			A		
6	4115C362	➡	U491478 t	4	Conrod
			B		
6	4115C363	➡	U491478 t	4	Conrod
			C		
6	4115C364	➡	U491478 t	4	Conrod
			D		
6	4115C365	➡	U491478 t	4	Conrod
			E		
6	4115C366	➡	U491478 t	4	Conrod
			F		
7		!	6	1	Conrod
		➡	Ref.n.6		
8	3112A005	!	6	1	Bush
		T-A	14:0		
9	3212V003	!	6	2	Screw

- ! This is a component of an assembly
- ➡ From serial or engine number
- ➡ Up to serial or engine number
- ➡ Not serviced, order
- T-A Replacement
- A Red
- B Orange
- C White
- D Green
- E Purple
- F Blue

Engine

Bmax Tier 3 (2011-) - RT64 - 105

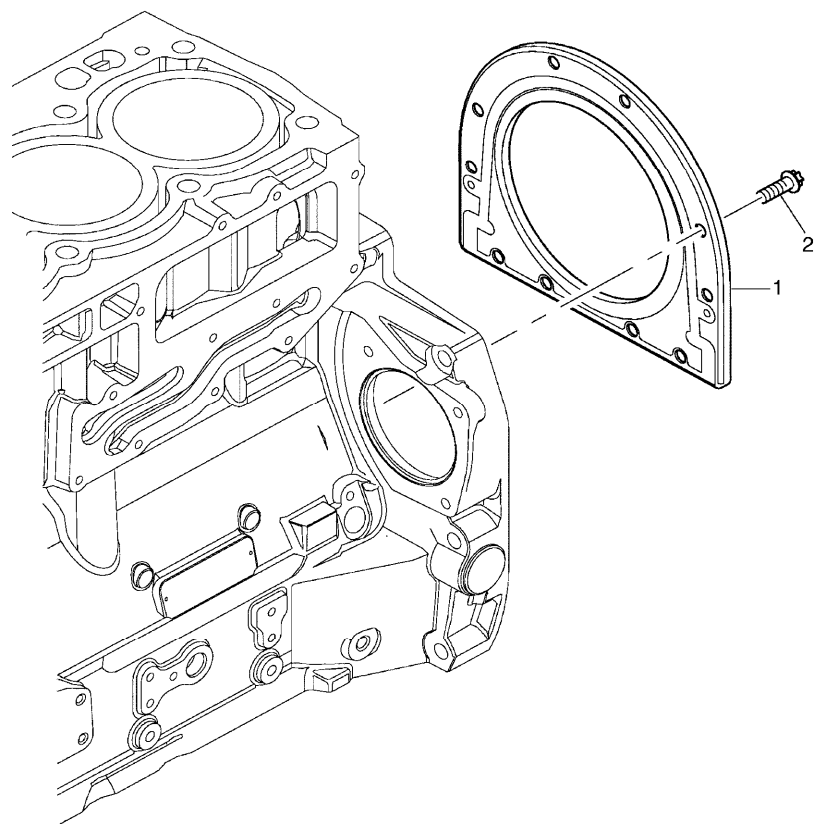
RT64\000015074.png

A-05
06



A0506

End cover



1 2418F704 T-A 9:0

2 3211C002

T-A Replacement

Inglese

1 Housing

10 Screw

Engine

Bmax Tier 3 (2011-) - RT64 - 105

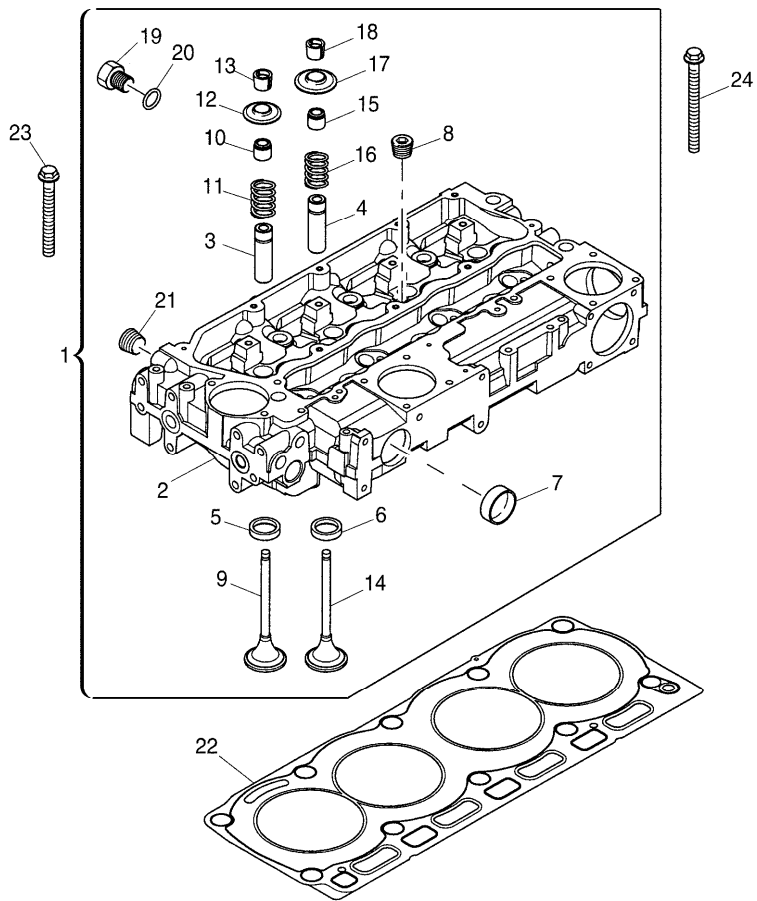
RT64\000020527.png

**A-05
07**



A0507

Cylinder head



1	ZZ80280		
2		!	1
3	3313A012	!	1
4	3313A012	!	1
5	3314A221	!	1
6	3314A231	!	1
7	32416117	!	1
8	0650588	!	1
9	3142H101	!	1
10	2418M519	!	1
	A		
11	3174A031	!	1
	●	T417479(4)	
12	3342A021	!	1
13	2714A002	!	1
14	3142A171	!	1
15	2418M517	!	1
	B		
16	3174A031	!	1
	●	T417479(4)	
17	3342A021	!	1
18	2714A002	!	1
19	3278A006	!	1
20	2415H003	!	1

Inglese

1	Cylinder head
1	Body
4	Insert
4	Insert
4	Insert
4	Insert
2	Plug
4	Plug
4	Valve
4	Ring
4	Spring
4	Coperch.
8	Collar
4	Valve
4	Ring
4	Spring
4	Coperch.
8	Collar
1	Plug
1	Ring

Engine

Bmax Tier 3 (2011-) - RT64 - 105

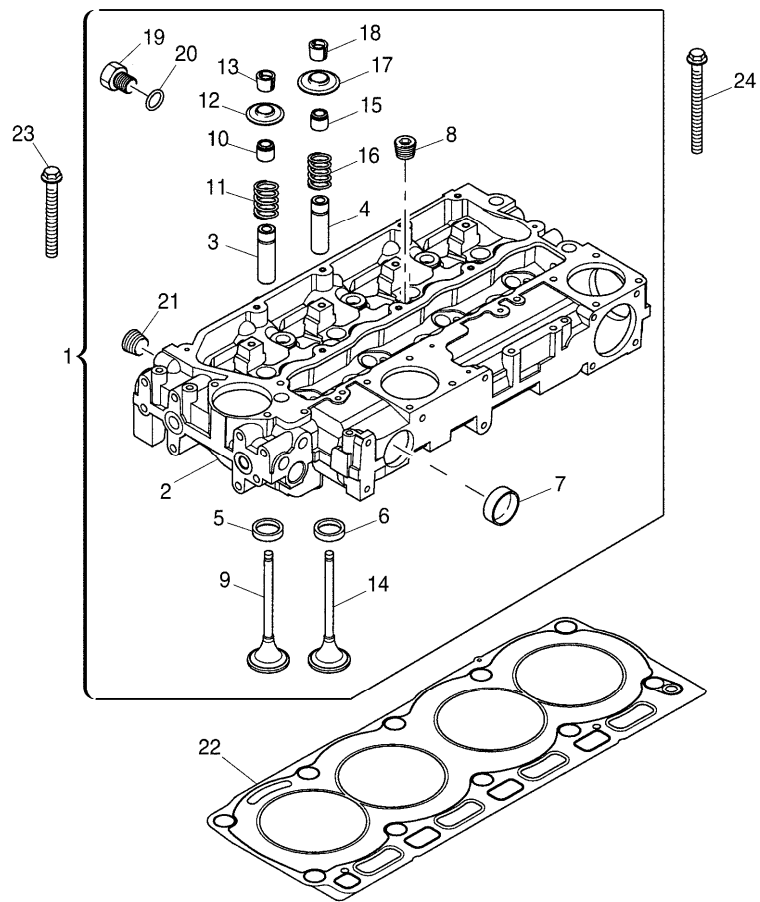
A-05
07



A0507

Cylinder head

RT64\000020527.png



Inglese

21 2431154 ! 1

2 Plug

22 3681E051

1 Gasket

23 3218A011

7 Screw

24 3218A012

3 Screw

! This is a component of an assembly

🔧 Not serviced, order

🔩 Replacement

A Green

B Brown

Engine

Bmax Tier 3 (2011-) - RT64 - 105

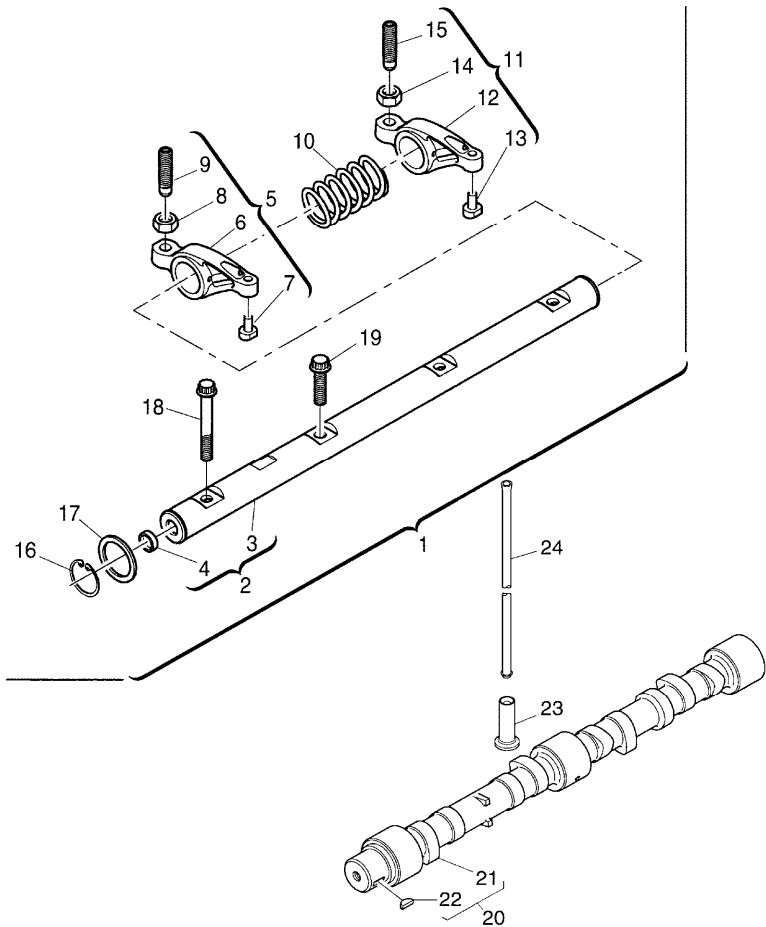
RT64\000015075.png

A-05
08



A0508

Rocker shaft



		Inglese
1	4115R613	1 Axle
2	4115R703	1 Shaft
	T-A 4:0	
3		1 Axle
	➤ Ref.n.2	
4	2485A104	2 Plug
5	4115R319	4 Lever
6		1 Rocker
	➤ Ref.n.5	
7		1 Pad
	➤ Ref.n.5	
8	3331A006	1 Nut
9	3211C004	1 Screw
10	3174A015	3 Spring
	T-A 4:0	
11	4115R315	4 Rocker
	T-A 4:0	
11	4115R318	4 Lever
12		1 Rocker
	➤ Ref.n.11	
13		1 Pad
	➤ Ref.n.11	
14	3331A006	1 Nut
15	3211C004	1 Screw
16	2722A022	2 Ring

Engine

Bmax Tier 3 (2011-) - RT64 - 105

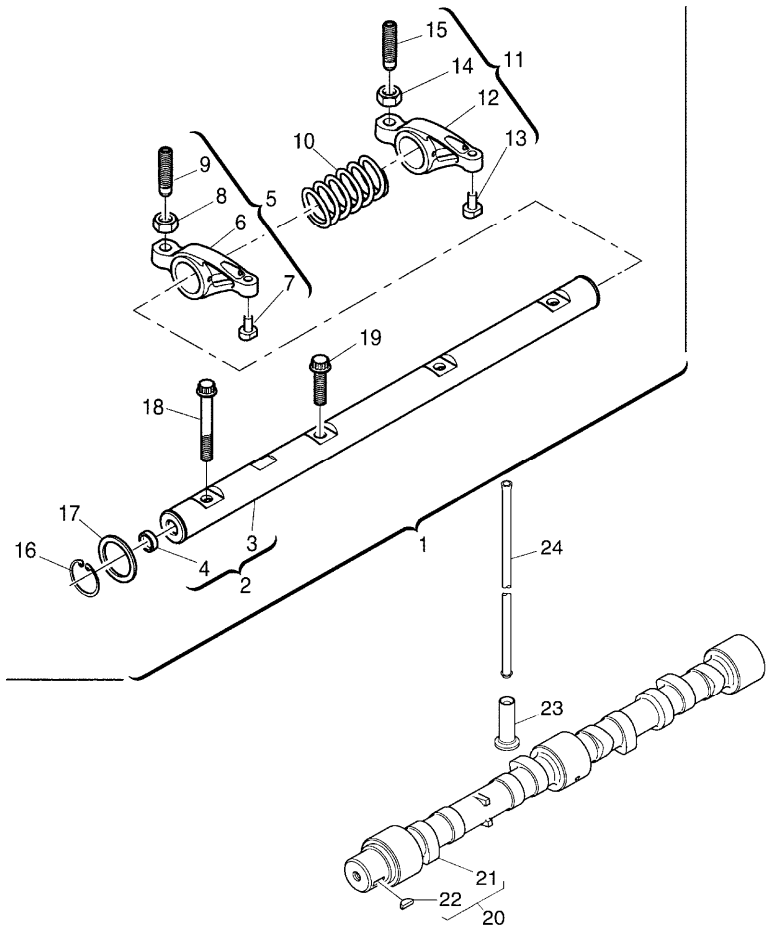
RT64\000015075.png

**A-05
08**



A0508

Rocker shaft



17	2134A502	!	1	
18	2316A901	!	1	
19	2316A902	!	1	
20	4112K032	●	4112K077(1)	1 Shaft
21		!	20	1
		➡	Ref.n.20	
22	0500012	!	20	1 Key
23	3142U061			8 Tappet
24	3142V011			8 Rod

! This is a component of an assembly
➡ Not serviced, order
● Replacement
T-A Replacement

Inglese

2	Washer
1	Screw
3	Screw
1	Shaft
1	
1	Key
8	Tappet
8	Rod

Engine

Bmax Tier 3 (2011-) - RT64 - 105

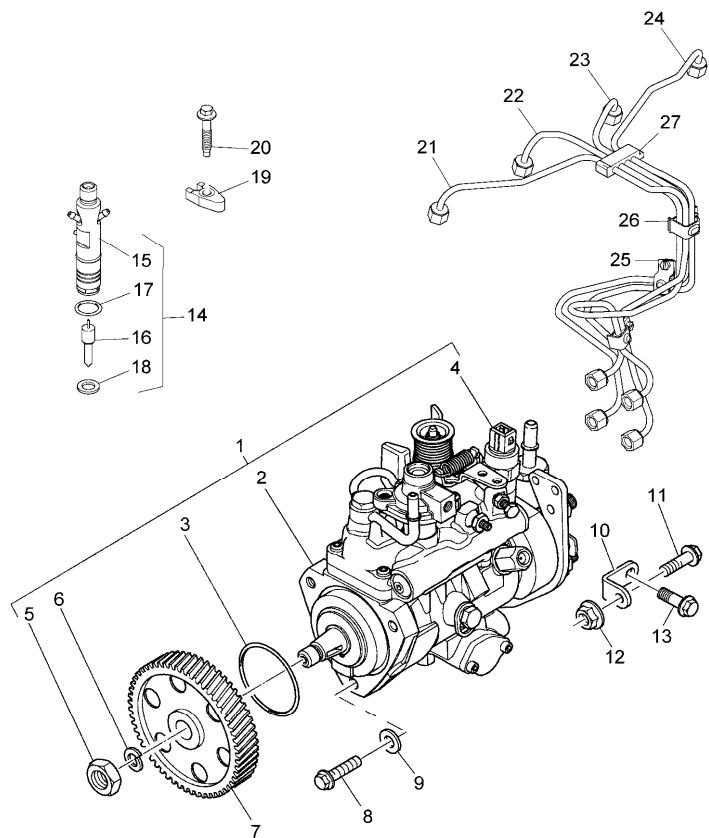
RT64\000015078.png

**A-05
09**



A0509

Fuel injection equipment (diesel)



		Inglese
1	2644C313/22	1 Pump
2	! 1	1 Pump
	➡ Ref.n.1	
3	26420318 ! 1	1 Ring
	T-A 4:50	
4	26420469 ! 1	1 Solenoid
	(X) 1.2.5.	
	T-A 0:25	
5	2318A108 ! 1	1 Nut
6	K134AF01 ! 1	1 Washer
7	3117L261	1 Gear
8	2314H004	3 Screw
9	2411D008	3 Washer
10	3641A007	1 Stirrup
11	2314H003	1 Screw
12	2318A603	1 Nut
13	2314J002	1 Screw
14	2645K025	4 Nozzle
15	! 14	1 Support
	➡ Ref.n.14	
16	! 14	1 Nozzle
17	26460064 ! 14	1 Ring
18	L311FF02 ! 14	1 Washer
19	3751A241	4 Clamp
20	2314W009	4 Screw

Engine

Bmax Tier 3 (2011-) - RT64 - 105

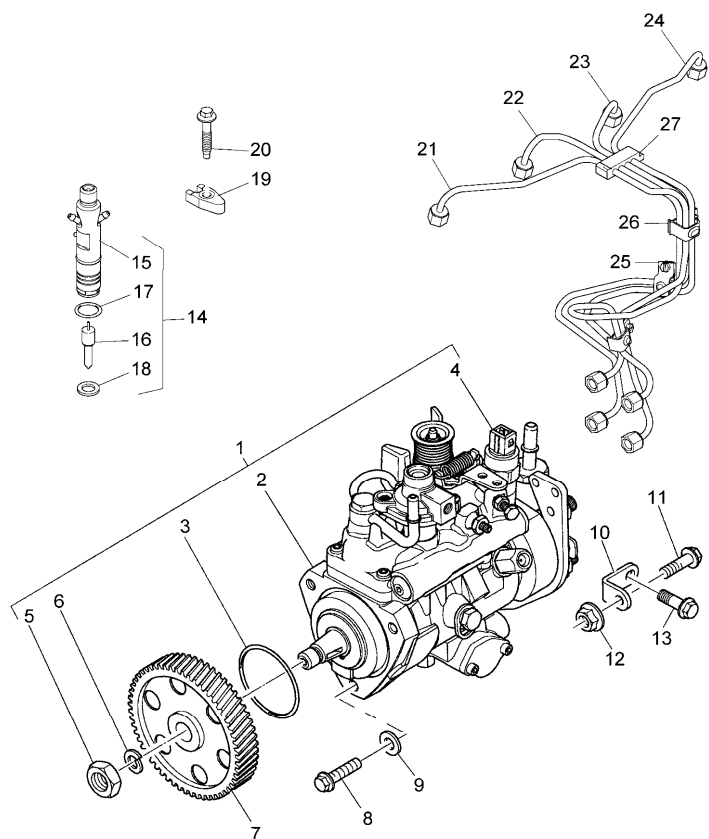
RT64\000015078.png

A-05
09



A0509

Fuel injection equipment (diesel)



Inglese

- 21 3525A101 1 Pipe
- 22 3525A102 1 Pipe
- 23 3525A103 1 Pipe
- 24 3525A104 1 Pipe
- 25 2481Y011 2 Clip
- 26 2481Y012 1 Clip
- 27 2646E019 1 Clip

! This is a component of an assembly

Not serviced, order

(X) Qty per tractors sold (aa.bbb.ccc.ddd) (aa) for 1,(bbb) 2-10 (ccc) 11-25 (ddd) 26-50

T-A Replacement

Engine

Bmax Tier 3 (2011-) - RT64 - 105

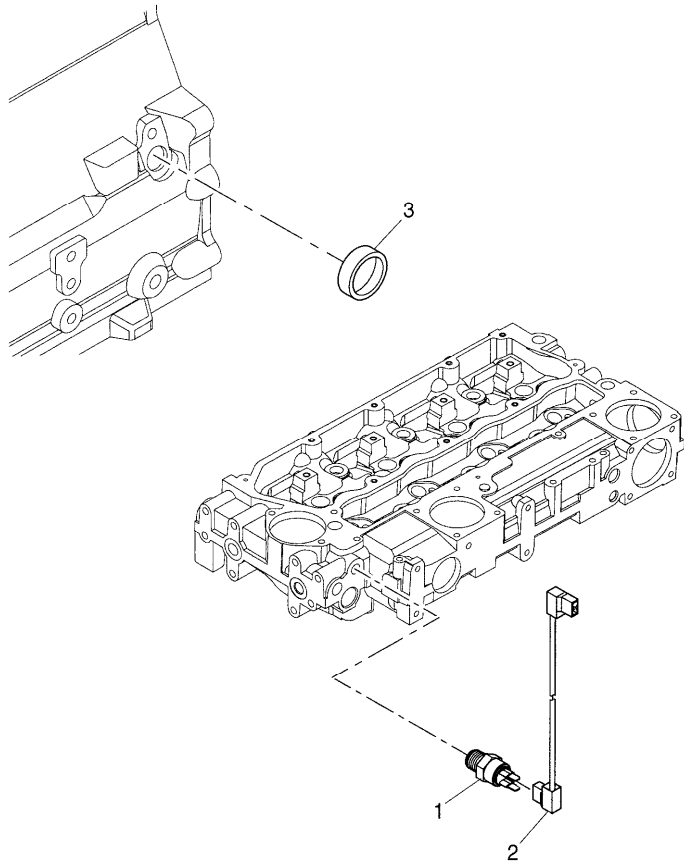
RT64\000020530.png

A-05
10



A0510

Sensor pickup



- 1 2848A127 T-A 0:50
 - 2 3161C017
 - 3 2485A109
- T-A Replacement

Inglese

- 1 Sensor
- 1 Cable
- 1 Plug

Engine

Bmax Tier 3 (2011-) - RT64 - 105

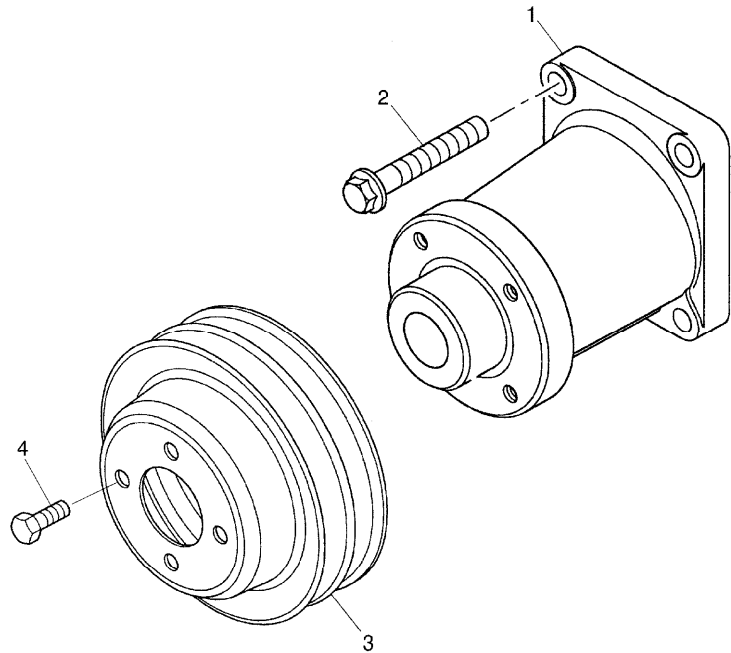
RT64\000015079.png

A-05
11



A0511

Fan-type pulley



- 1 4113K005 T-A 1:75
 - 2 2314J005
 - 3 3115C161
 - 4 2314C044
- T-A Replacement

Inglese

- 1 Housing
- 4 Screw
- 1 Pulley
- 4 Screw

Engine

Bmax Tier 3 (2011-) - RT64 - 105

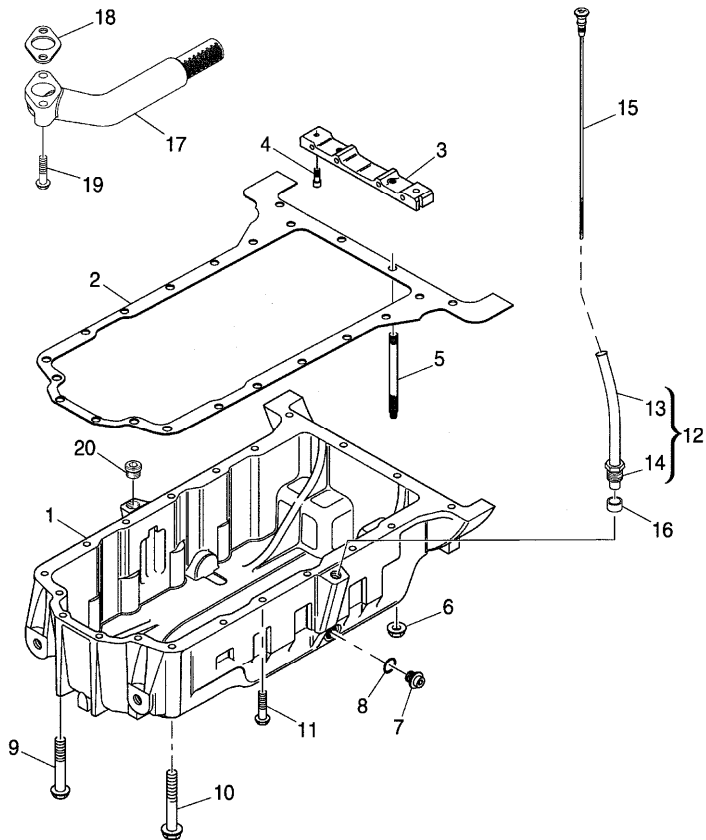
RT64\000014129.png

A-05
12



A0512

Lubricating oil sump



1	3717E271			
2	3681K036	(X)	1.2.5.	
		T-A	1:50	
3	3627P041	T-A	1:50	
4	2311D039			
5	3211P013			
6	2318A603			
7	32186405	T-A	0:25	
8	2415715	T-A	0:25	
9	2314H023			
10	2314H022	●	2314H052(1)	
11	2314H015			
12	3577A125	T-A	0:25	
13		!	12	
		▶	Ref.n.12	
14	3353D005	!	12	
15	3178C081	T-A	0:25	
16	33812116			
17	3765A091	T-A	1:75	
18	36832137	T-A	1:75	
19	2314H006			
20	2431A016			

Inglese

1	Crankcase
1	Gasket
1	Crosspiece
2	Screw
2	Stud
2	Nut
2	Plug
2	Ring
5	Screw
1	Screw
12	Screw
1	Pipe
1	Pipe
1	Nut
1	Rod
1	Olive
1	Pipe
1	Gasket
2	Screw
1	Plug

- ! This is a component of an assembly
- ▶ Not serviced, order
- Replacement



Suggest:

For more complete manuals. Please go to the home page.

<https://www.ebooklibonline.com>

If the above button click is invalid. Please download this document first, and then click the above link to download the complete manual.

Thank you so much for reading

Engine

Bmax Tier 3 (2011-) - RT64 - 105

A-05
12

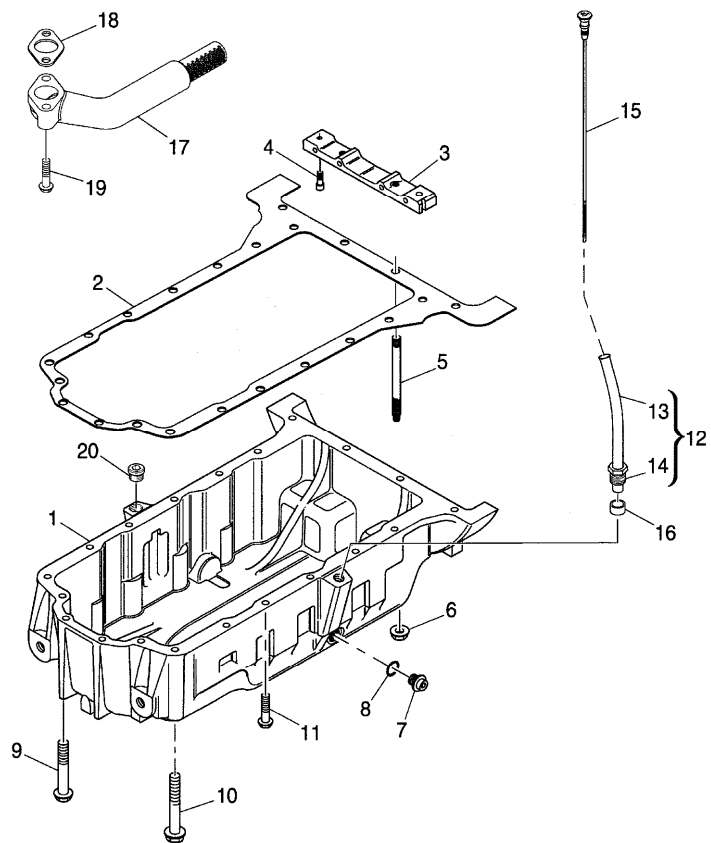


A0512

Lubricating oil sump

RT64\000014129.png

(X) Qty per tractors sold (aa.bbb.ccc.ddd) (aa) for 1,(bbb) 2-10 (ccc) 11-25 (ddd) 26-50
T-A Replacement



Engine

Bmax Tier 3 (2011-) - RT64 - 105

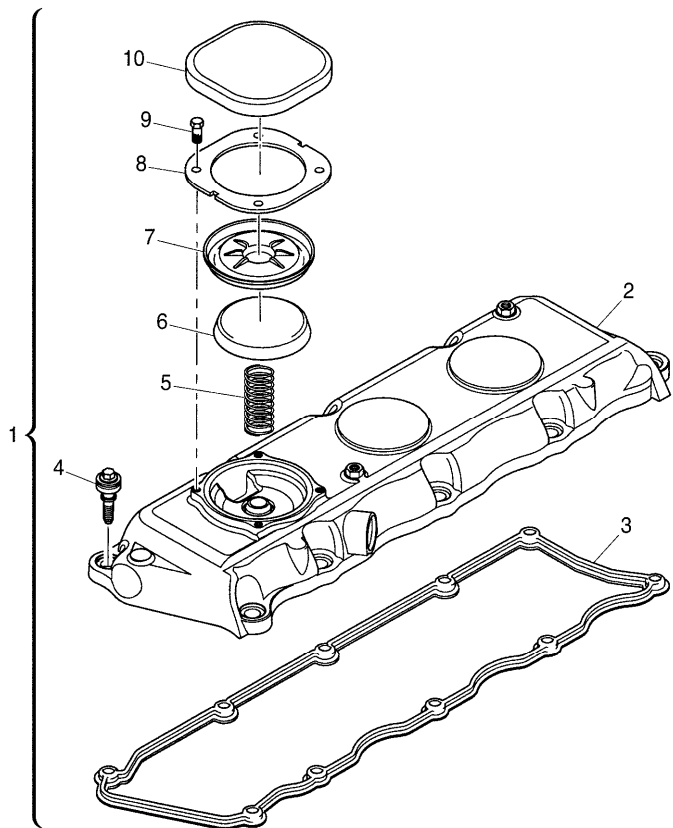
RT64\000020533.png

A-05
13



A0513

Cylinder head cover



		Inglese	
1	4142X325	● T417478(1)	1 Coperch.
2		! 1	1 Cover
3	3681A055	▣ Ref.n.1	1 Gasket
		(X) 1.2.5.	
		T-A 1:0	
4		! 1	10 Screw
		▣ Ref. n.1	
5	3174A017	! 1	1 Spring
		T-A 0:25	
6	3788A002	! 1	1 Cap
		T-A 0:25	
7	3789A001	! 1	1 Diaphragm
		T-A 0:25	
8	3615A009	! 1	1 Plate
		T-A 0:25	
9	2151A001	! 1	4 Screw
10	3788A003	! 1	1 Cap
		T-A 0:25	
	!	This is a component of an assembly	
	▣	Not serviced, order	
	●	Replacement	
	(X)	Qty per tractors sold (aa.bbb.ccc.ddd) (aa) for 1,(bbb) 2-10 (ccc) 11-25 (ddd) 26-50	
	T-A	Replacement	

<https://www.ebooklibonline.com>

Hello dear friend!

Thank you very much for reading.

Enter the link into your browser.

The full manual is available for immediate download.

<https://www.ebooklibonline.com>