

Engine

Bmax Tier 3 (2011-) - RT64 - 100

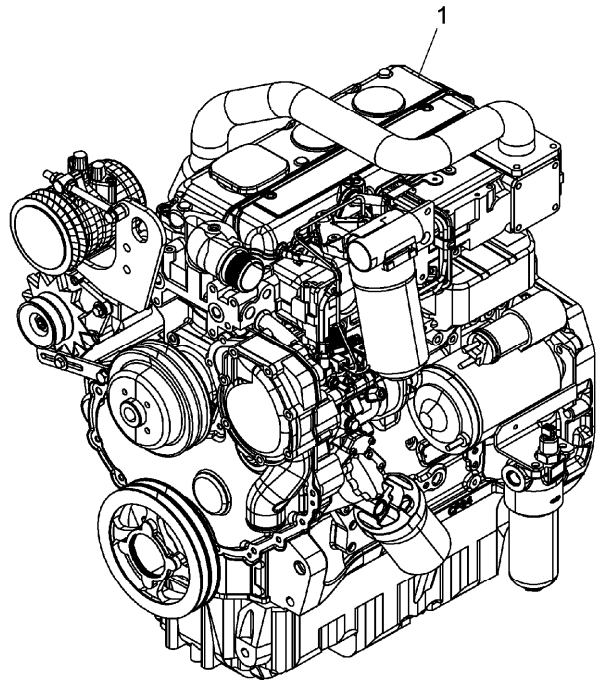
RT64\00005170.png

A-05
01



A0501

Engine assembly



Inglese

- | | | | | |
|---|------------|--------------------|---|--------|
| 1 | 3692315M91 | "perkins - nl38966 | 1 | Engine |
| | | 67.5 kw | | |
| 1 | 4216959M91 | "perkins - nm7522 | 1 | Engine |
| | | 68 kw | | |

A

A For south african market

Engine

Bmax Tier 3 (2011-) - RT64 - 100

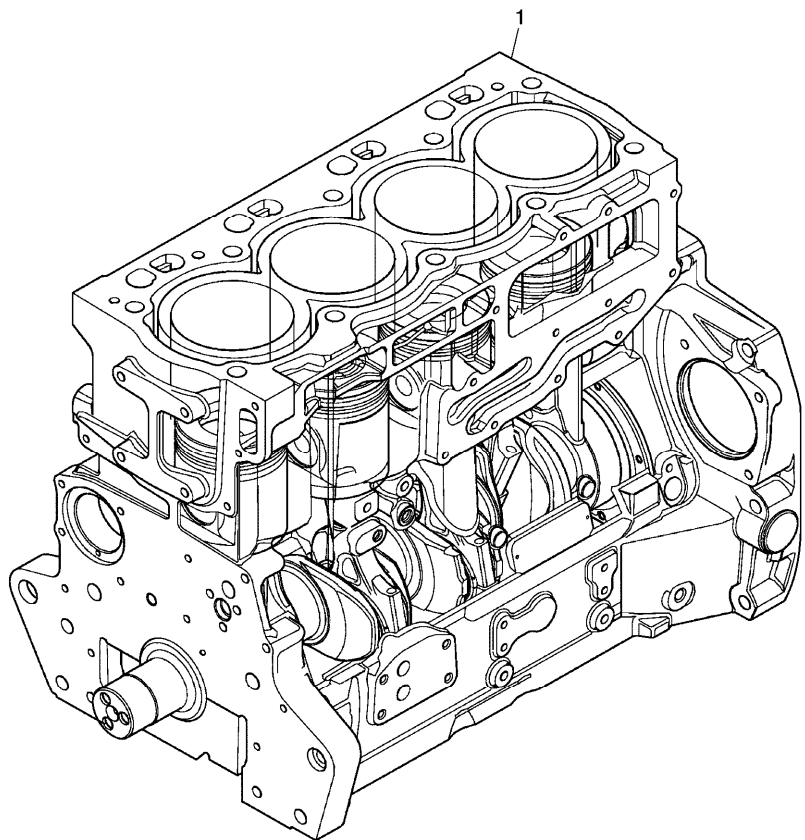
RT64\000015070.png

A-05
02



A0502

Short engine



Inglese

- | | | | | | |
|---|---------|--|----------------------------------|---|--------------|
| 1 | NM40008 | | U056074 t | 1 | Short engine |
| | | | 3115A141(1),
32186146(3), NM4 | | |
| 1 | NM40019 | | U056075 t | 1 | Short engine |

- From serial or engine number
- Up to serial or engine number
- Replacement

Engine

Bmax Tier 3 (2011-) - RT64 - 100

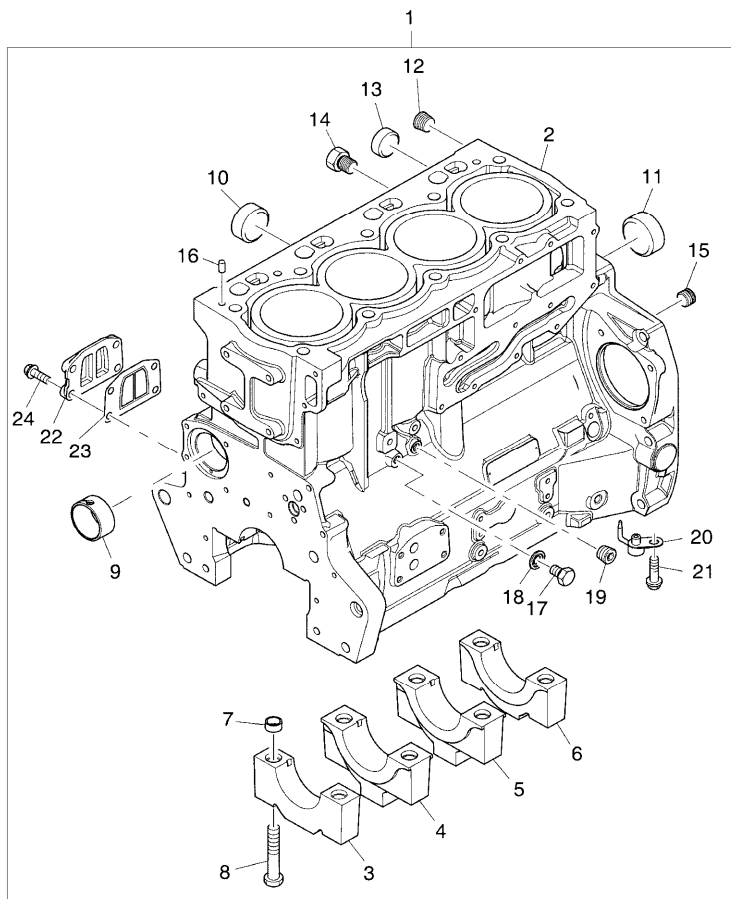
**A-05
03**



A0503

Cylinder block

RT64\000015072.png



Inglese

1	👁	A-05 02 1	1 Kit
2	!	1	1 Cylinder block
3	➡	Ref.n.1	1 Bearing
4	!	1	2 Bearing
5	➡	Ref.n.1	1 Bearing
6	!	1	1 Bearing
7	➡	Ref.n.1	10 Manicott
8	!	1	10 Screw
9	!	1	1 Bush
10	●	3112D075(1)	
11	!	1	2 Plug
12	!	1	1 Plug
13	!	1	1 Plug
14	!	1	1 Plug
15	!	1	1 Plug
16	!	1	2 Dowel
17	!	1	1 Screw
18	!	1	1 Washer
19	!	1	1 Plug

<https://www.ebooklibonline.com>

Hello dear friend!

Thank you very much for reading.

Enter the link into your browser.

The full manual is available for immediate download.

<https://www.ebooklibonline.com>

Engine

Bmax Tier 3 (2011-) - RT64 - 100

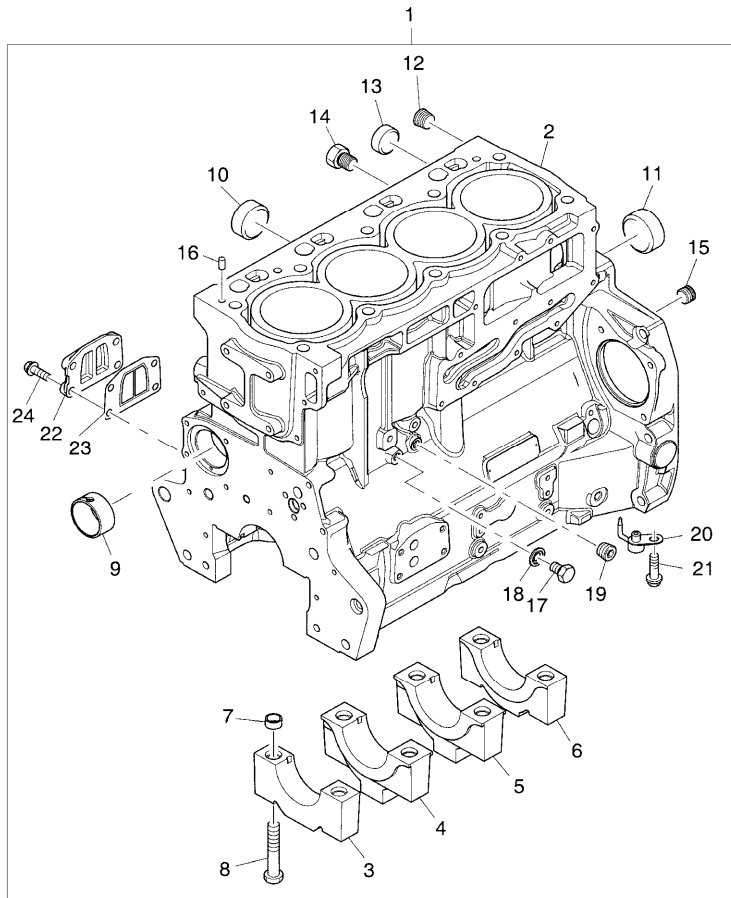
RT64\000015072.png

A-05
03



A0503

Cylinder block



- 20 2113A003 ! 1
- 21 2314F001 ! 1
- 22 3753A071 ! 1
- 23 3688A041 ! 1
- 24 2314H034 ! 1

Inglese

- 4 Atomiser
- 4 Screw
- 1 Coperch.
- 1 Ring
- 4 Screw

- ! This is a component of an assembly
- 👁 See page - reference number
- 🔧 Not serviced, order
- Replacement

Engine

Bmax Tier 3 (2011-) - RT64 - 100

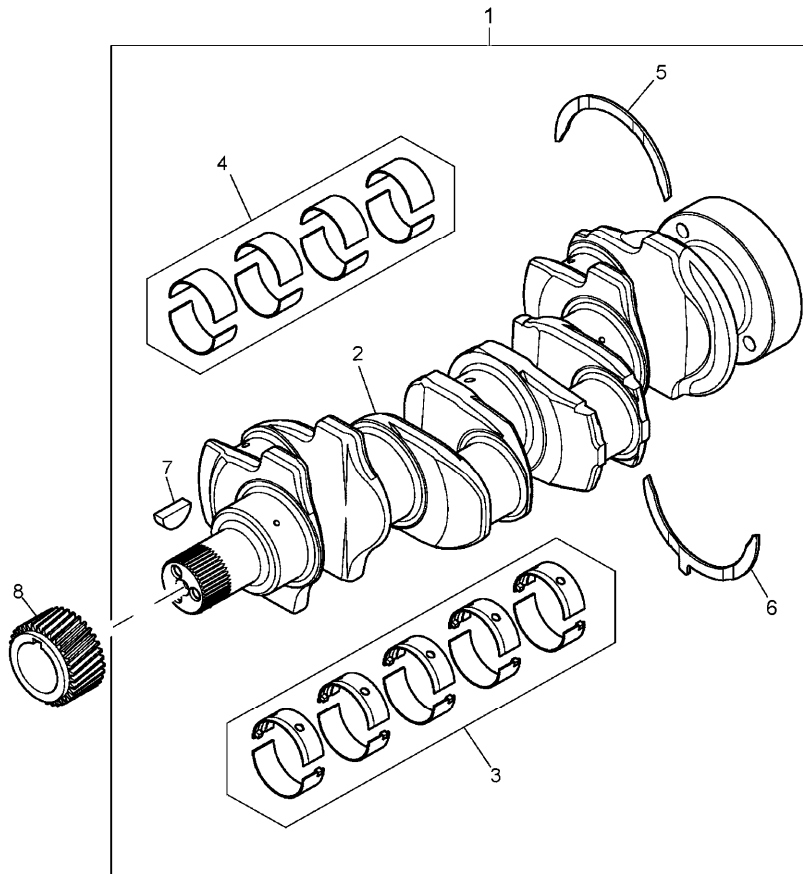
RT64\000015073.png

A-05
04



A0504

Camshaft



		Inglese	
1	ZZ90222	➔ U056074 t	1 Kit
		● ZZ90239(1)	
1	ZZ90237	➔ U056075 t	1 Shaft
2		! 1	1 Shaft
		➔ Ref.n.1	
3	U5MB0018	! 1	1 Kit
		➔ U056074 t	
		● U5MB0033(1)	
		T-A 15:0	
3	U5MB0018A	! 1	1 Kit
		⚡ 0.010"	
		➔ U056074 t	
		● U5MB0033A(1)	
		T-A 15:0	
3	U5MB0018B	! 1	1 Kit
		⚡ 0.020"	
		➔ U056074 t	
		● U5MB0033B(1)	
		T-A 15:0	
3	U5MB0018C	! 1	1 Kit
		⚡ 0.030"	
		➔ U056074 t	
		● N.L.A.(1)	
		T-A 15:0	
3	U5MB0033	! 1	1 Kit
		➔ U056075 t	

Engine

Bmax Tier 3 (2011-) - RT64 - 100

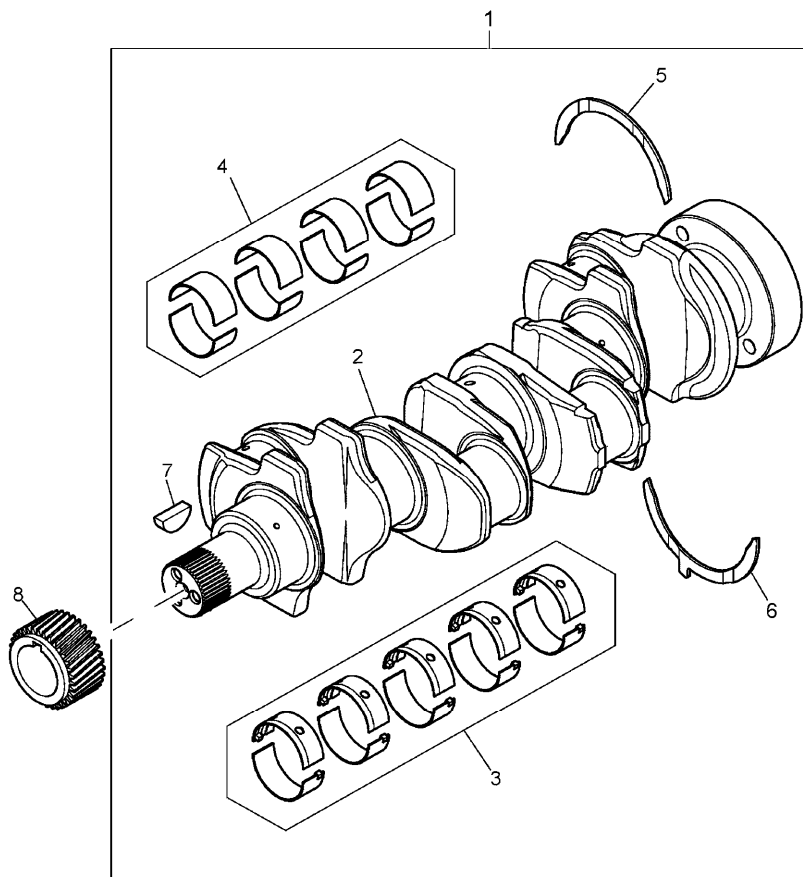
RT64\000015073.png

A-05
04



A0504

Camshaft



Inglese

3	U5MB0033A	!	1	1 Kit
		⚡	-0,25mm	
		➔	U056075 t	
3	U5MB0033B	!	1	1 Kit
		⚡	-0,50mm	
		➔	U056075 t	
3	U5MB0033C	!	1	1 Kit
		⚡	-0,75mm	
		➔	U056075 t	
		●	N.L.A.(1)	
4	T400002	!	1	1 Kit
		➔	U056075 t	
		●	T410927(1)	
4	U5ME0026	!	1	1 Kit
		➔	U056074 t	
		●	U5ME0034(1)	
4	U5ME0026A	!	1	1 Kit
		⚡	0.25mm	
		➔	U056074 t	
		●	U5ME0034A(1)	
4	U5ME0026B	!	1	1 Kit
		⚡	0.50mm	
		➔	U056074 t	
		●	U5ME0034B(1)	

Engine

Bmax Tier 3 (2011-) - RT64 - 100

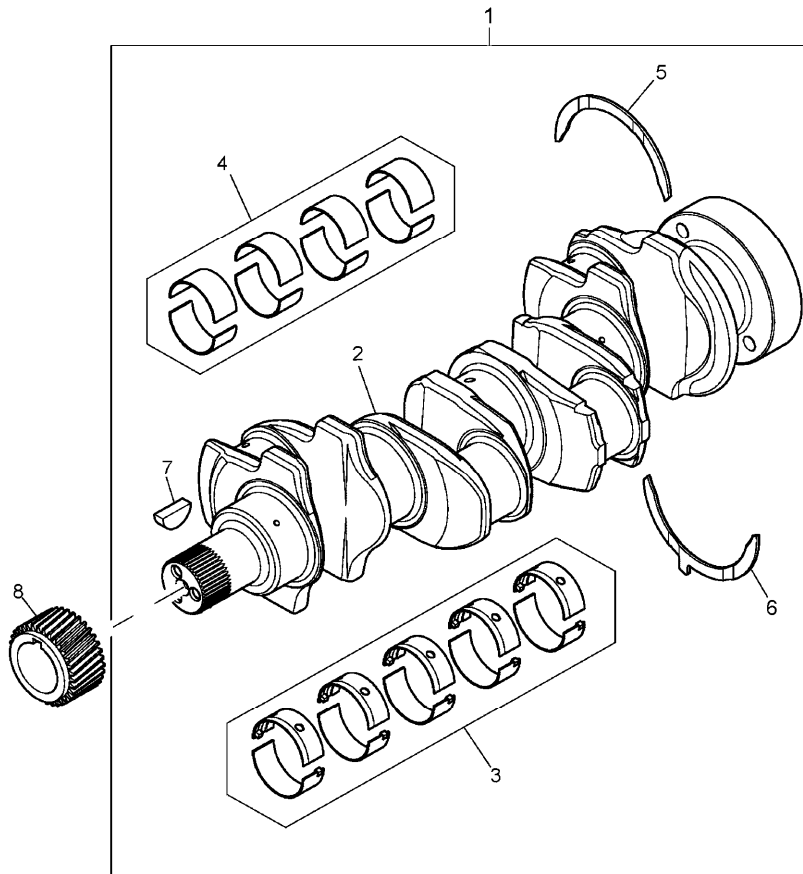
RT64\000015073.png

**A-05
04**



A0504

Camshaft



		Inglese	
4	U5ME0026C	! 1	1 Kit
		⚡ 0.75mm	
		➔ U056074 t	
		● U5ME0034C(1)	
5	31137312	! 1	2 Ring
		⚡ 0.007"	
		T-A 15:0	
5	31137551	! 1	2 Washer
		T-A 15:0	
6	31137322	! 1	2 Ring
		⚡ 0.007"	
		T-A 15:0	
6	31137561	! 1	2 Washer
		T-A 15:0	
7	0500012	! 1	1 Key
		T-A 10:0	
8	3117C221	T-A 10:0	1 Gear
		!	This is a component of an assembly
		➔	From serial or engine number
		➔	Up to serial or engine number
		🔧	Not serviced, order
		⚡	Shim
		●	Replacement
		T-A	Replacement

Engine

Bmax Tier 3 (2011-) - RT64 - 100

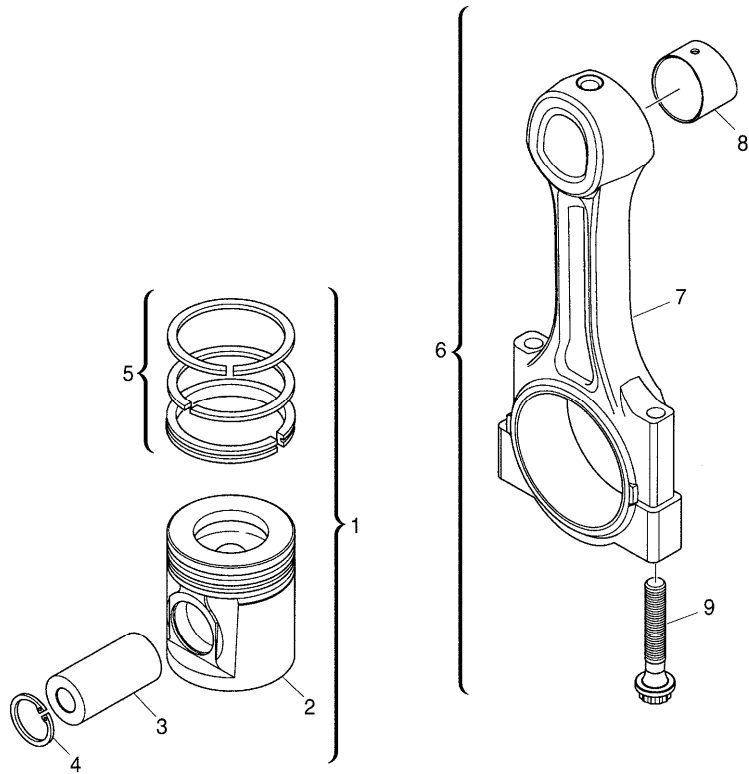
RT64\000020525.png

A-05
05



A0505

Pistons and connecting rods



		Inglese
1	U5PR0063	4 Kit
2	! 1	1 Piston
	➡ Ref.n.1	
3	! 1	1 Pin
	➡ Ref.n.1	
4	2721332 ! 1	2 Ring
5	UPRK0003 ! 1	1 Kit
	(X) 0.2.5.	
	T-A 11:25	
6	4115C311 ➡ U056074 t	4 Kit
	A	
	T-A 14:0	
6	4115C312 ➡ U056074 t	4 Kit
	B	
	T-A 14:0	
6	4115C313 ➡ U056074 t	4 Kit
	C	
	T-A 14:0	
6	4115C314 ➡ U056074 t	4 Kit
	D	
	T-A 14:0	
6	4115C315 ➡ U056074 t	4 Kit
	E	
	T-A 14:0	

Engine

Bmax Tier 3 (2011-) - RT64 - 100

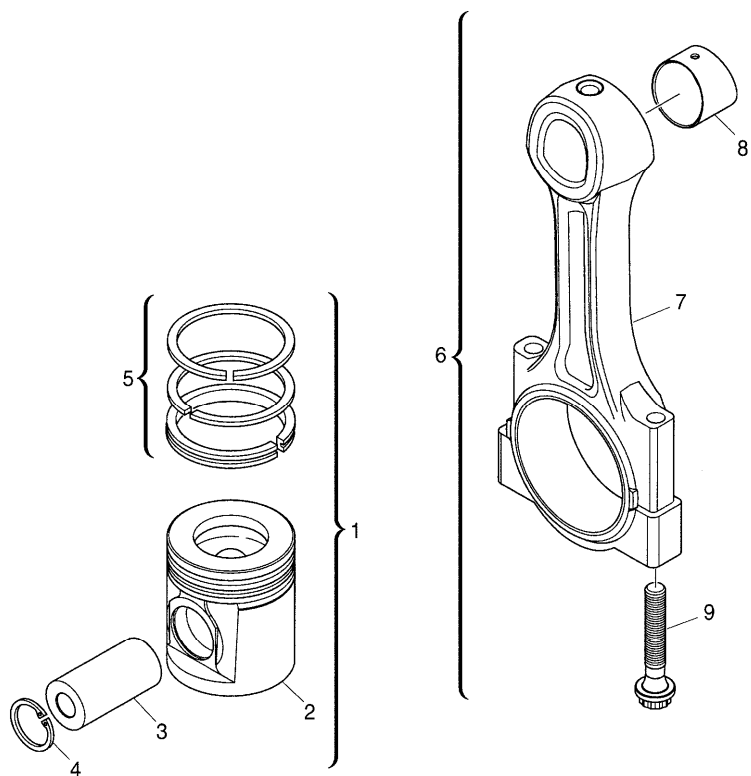
RT64\000020525.png

**A-05
05**



A0505

Pistons and connecting rods



		Inglese	
6	4115C316	➡ U056074 t F T-A 14:0	4 Kit
6	4115C361	➡ U056075 t A	4 Conrod
6	4115C362	➡ U056075 t B	4 Conrod
6	4115C363	➡ U056075 t C	4 Conrod
6	4115C364	➡ U056075 t D	4 Conrod
6	4115C365	➡ U056075 t E	4 Conrod
6	4115C366	➡ U056075 t F	4 Conrod
7	!	6 ➡ Ref.n.6	1 Conrod
8	3112A005	! 6 T-A 14:0	1 Bush
9	3212V003	! 6	2 Screw
9	T400001	! 6 ➡ U056074 t ➡ U056075 t	2 Screw

- ! This is a component of an assembly
- ➡ From serial or engine number
- ➡ Up to serial or engine number
- ➡ Not serviced, order

Engine

Bmax Tier 3 (2011-) - RT64 - 100

RT64\000020525.png

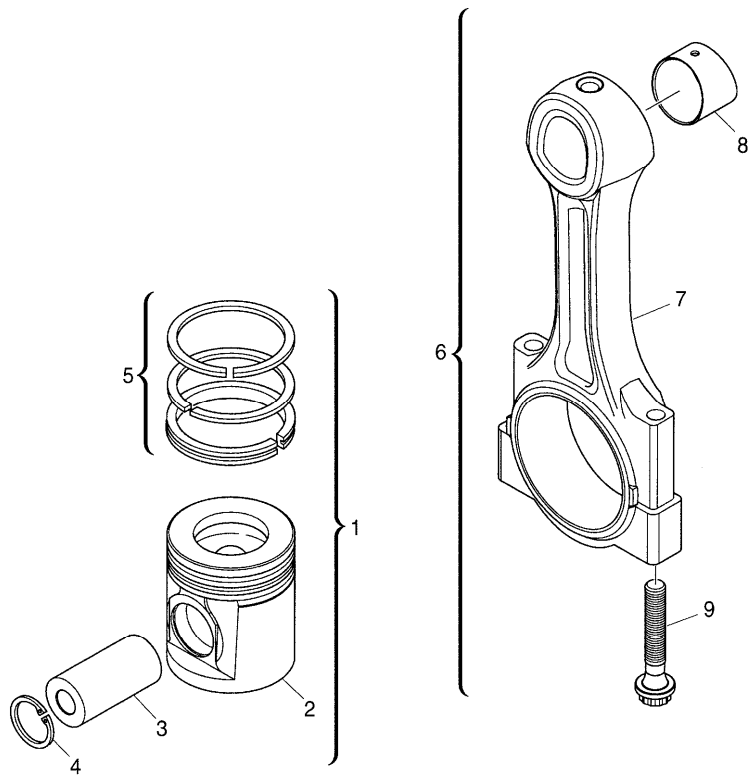
A-05
05



A0505

Pistons and connecting rods

- (X) Qty per tractors sold (aa.bbb.ccc.ddd) (aa) for 1,(bbb) 2-10 (ccc) 11-25 (ddd) 26-50
- T-A Replacement
- A Red
- B Orange
- C White
- D Green
- E Purple
- F Blue



Engine

Bmax Tier 3 (2011-) - RT64 - 100

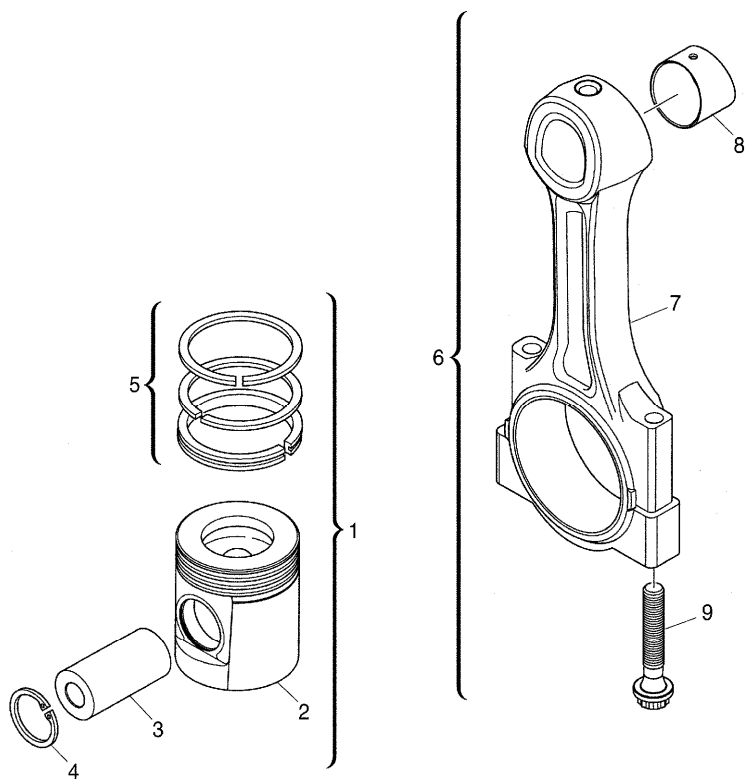
RT64\000020562.png

**A-05
055**



A05055

Pistons and connecting rods



Inglese

-	G		
1	U5PR0062	Std	4 Kit
1	U5PR0062B	+0,5 mm	4 Kit
2	!	1	1 Piston
	➡	Ref.n.1	
3	!	1	1 Piston
	➡	Ref.n.1	
4	2721332	!	2 Ring
5	UPRK0005	!	1 Kit
6	4115C311	➡ U491477 t	4 Kit
	A		
	T-A	14:0	
6	4115C312	➡ U491477 t	4 Kit
	B		
	T-A	14:0	
6	4115C313	➡ U491477 t	4 Kit
	C		
	T-A	14:0	
6	4115C314	➡ U491477 t	4 Kit
	D		
	T-A	14:0	
6	4115C315	➡ U491477 t	4 Kit
	E		
	T-A	14:0	

Engine

Bmax Tier 3 (2011-) - RT64 - 100

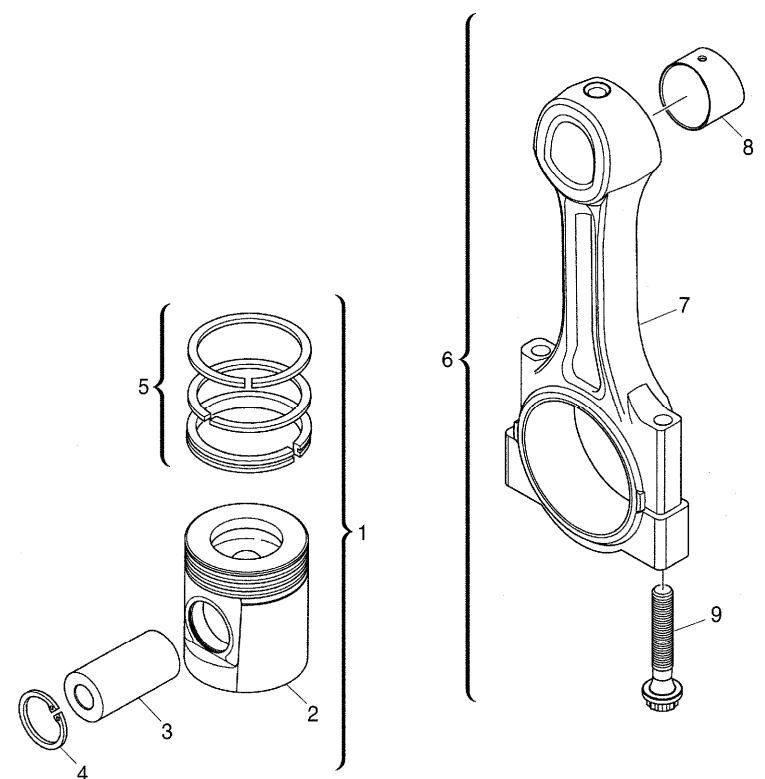
RT64\000020562.png

**A-05
055**



A05055

Pistons and connecting rods



		Inglese	
6	4115C316	➡ U491477 t F T-A 14:0	4 Kit
6	4115C361	➡ U491478 t A	4 Conrod
6	4115C362	➡ U491478 t B	4 Conrod
6	4115C363	➡ U491478 t C	4 Conrod
6	4115C364	➡ U491478 t D	4 Conrod
6	4115C365	➡ U491478 t E	4 Conrod
6	4115C366	➡ U491478 t F	4 Conrod
7	!	6 ➡ Ref.n.6	1 Conrod
8	3112A005	! 6 T-A 14:0	1 Bush
9	3212V003	! 6	2 Screw

! This is a component of an assembly
➡ From serial or engine number
➡ Up to serial or engine number
➡ Not serviced, order
T-A Replacement
A Red
B Orange

Engine

Bmax Tier 3 (2011-) - RT64 - 100

RT64\000020562.png

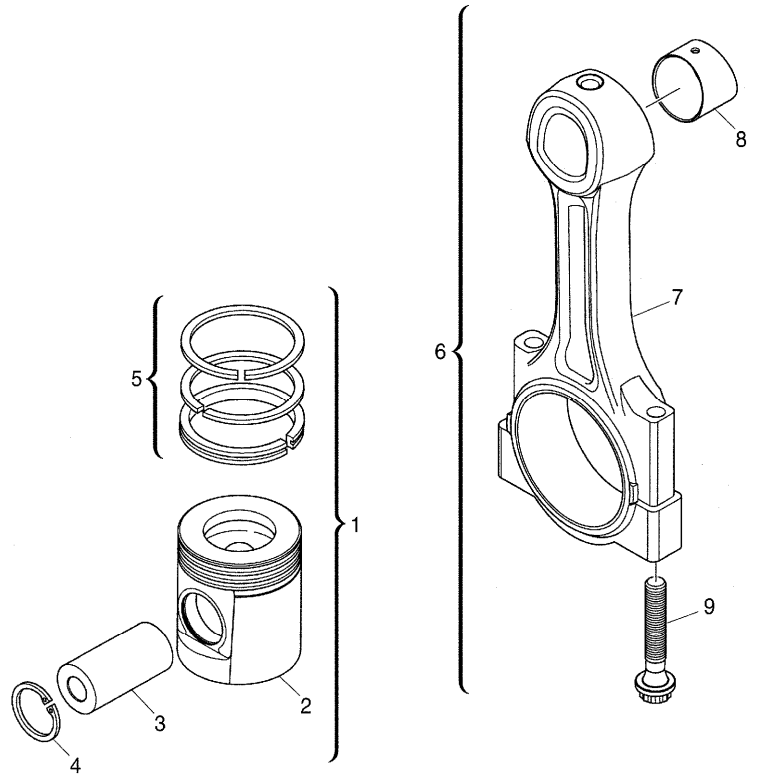
A-05
055



A05055

Pistons and connecting rods

- C White
- D Green
- E Purple
- F Blue
- G For south african market



Engine

Bmax Tier 3 (2011-) - RT64 - 100

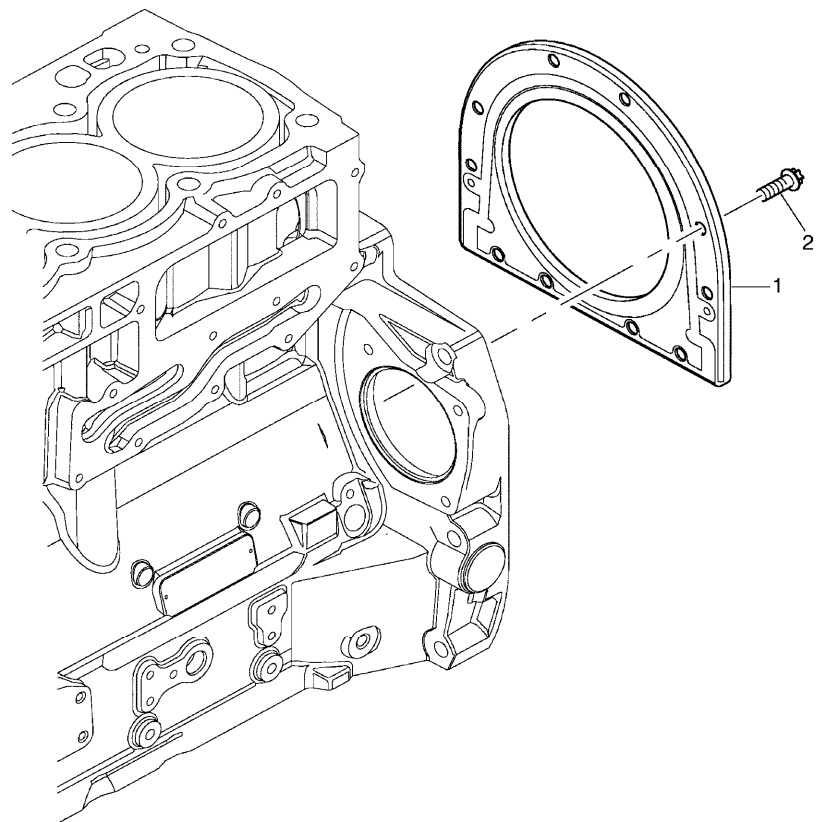
RT64\000015074.png

A-05
06



A0506

End cover



1 2418F704 T-A 9:0

2 3211C002

T-A Replacement

Inglese

1 Housing

10 Screw

Engine

Bmax Tier 3 (2011-) - RT64 - 100

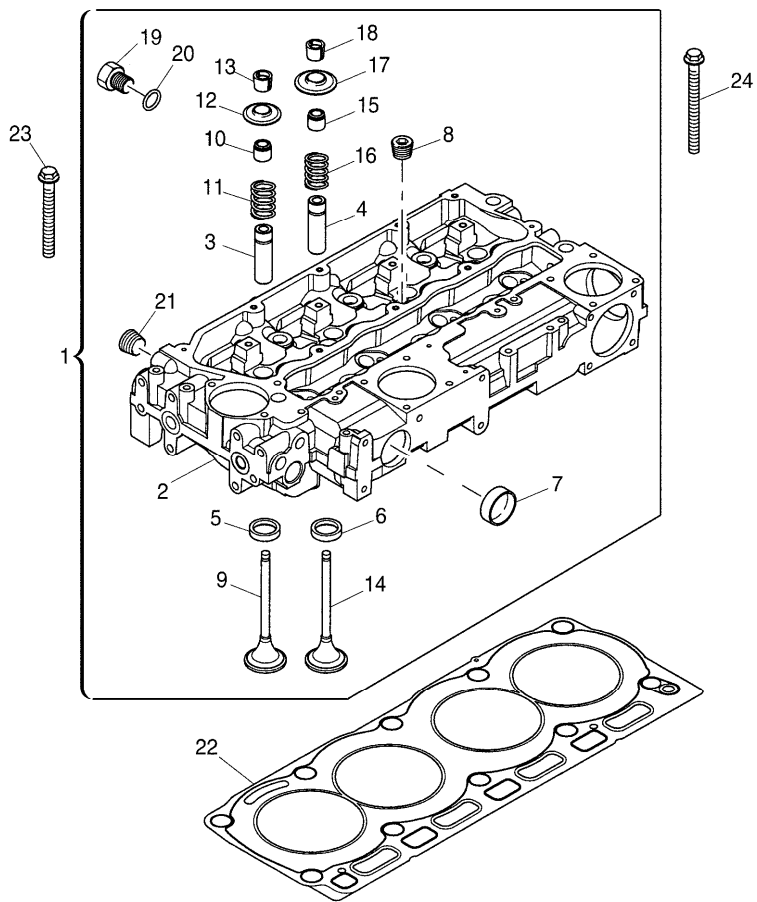
RT64\000020527.png

**A-05
07**



A0507

Cylinder head



1 ZZ80280

2

3 3313A012

4 3313A012

5 3314A221

6 3314A231

7 32416117

8 0650588

9 3142H101

10 2418M519

11 3174A031

12 3342A021

13 2714A002

14 3142A171

15 2418M517

16 3174A031

17 3342A021

18 2714A002

19 3278A006

20 2415H003

!

! 1

! 1

! 1

! 1

! 1

! 1

! 1

! 1

! 1

! 1

! 1

! 1

! 1

! 1

! 1

! 1

! 1

! 1

! 1

! 1

! 1

! 1

! 1

! 1

! 1

! 1

! 1

Inglese

1 Cylinder head

1 Body

4 Insert

4 Insert

4 Insert

4 Insert

2 Plug

4 Plug

4 Valve

4 Ring

4 Spring

4 Coperch.

8 Collar

4 Valve

4 Ring

4 Spring

4 Coperch.

8 Collar

1 Plug

1 Ring

Engine

A-05
07

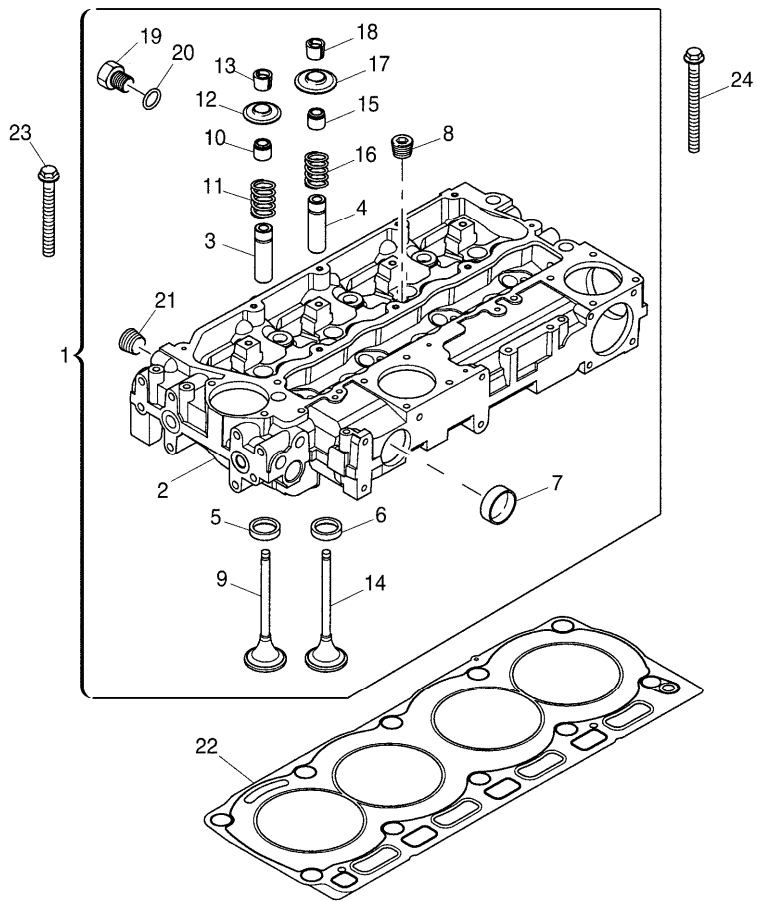
Cylinder head

Bmax Tier 3 (2011-) - RT64 - 100



A0507

RT64\000020527.png



21 2431154 ! 1

22 3681E051

23 3218A011

24 3218A012

! This is a component of an assembly

 Not serviced, order

 Replacement

A Green

B Brown

Inglese

1 Plug

1 Gasket

7 Screw

3 Screw

Engine

Bmax Tier 3 (2011-) - RT64 - 100

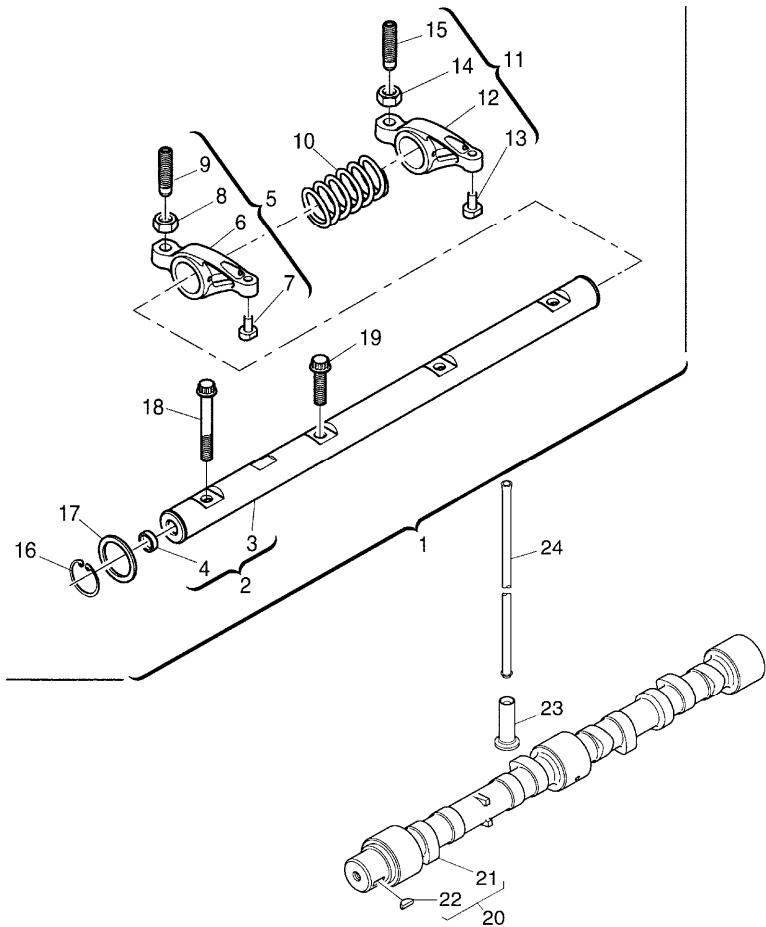
RT64\000015075.png

A-05
08



A0508

Rocker shaft



		Inglese	
1	4115R613		1 Axle
2	4115R703	! 1	1 Shaft
		T-A 4:0	
3		! 2	1 Axle
		➡ Ref.n.2	
4	2485A104	! 2	2 Plug
5	4115R319	! 1	4 Lever
6		! 5	1 Rocker
		➡ Ref.n.5	
7		! 5	1 Pad
		➡ Ref.n.5	
8	3331A006	! 5	1 Nut
9	3211C004	! 5	1 Screw
10	3174A015	! 1	3 Spring
		T-A 4:0	
11	4115R318	! 1	4 Lever
12		! 11	1 Rocker
		➡ Ref.n.11	
13		! 11	1 Pad
		➡ Ref.n.11	
14	3331A006	! 11	1 Nut
15	3211C004	! 11	1 Screw
16	2722A022	! 1	2 Ring
17	2134A502	! 1	2 Washer
18	2316A901	! 1	1 Screw

Engine

Bmax Tier 3 (2011-) - RT64 - 100

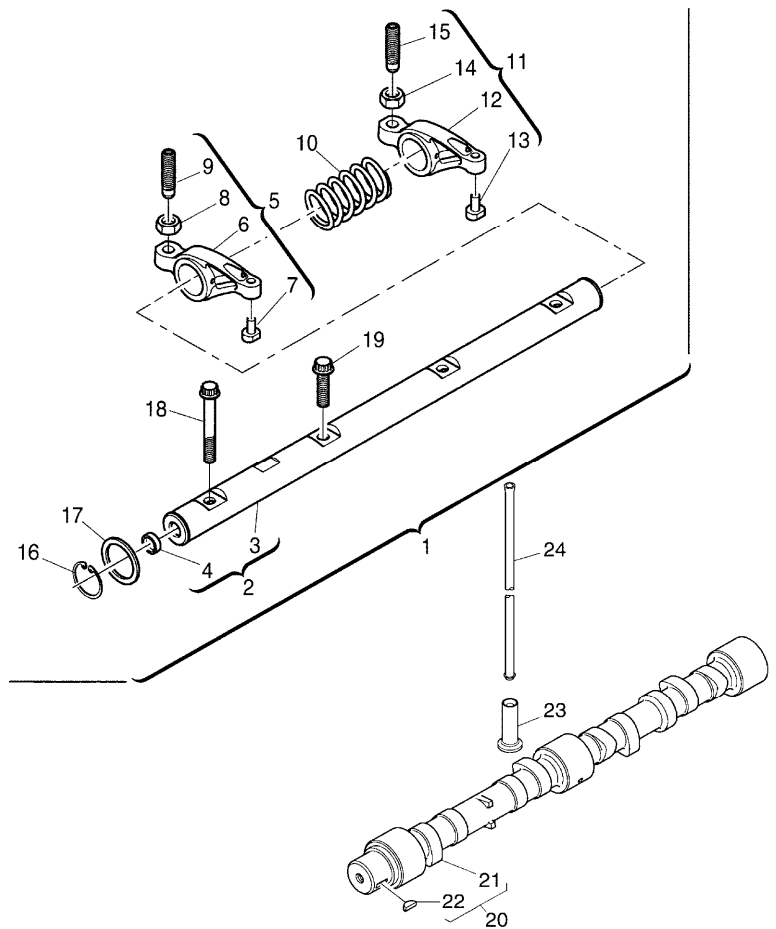
RT64\000015075.png

A-05
08



A0508

Rocker shaft



Inglese

19	2316A902	!	1	3	Screw
20	4112K032	●	4112K077(1)	1	Shaft
21		!	20	1	Shaft
		➡	Ref.n.20		
22	0500012	!	20	1	Key
23	3142U061			8	Tappet
24	3142V011			8	Rod

- ! This is a component of an assembly
- ➡ Not serviced, order
- Replacement
- T-A Replacement

Engine

Bmax Tier 3 (2011-) - RT64 - 100

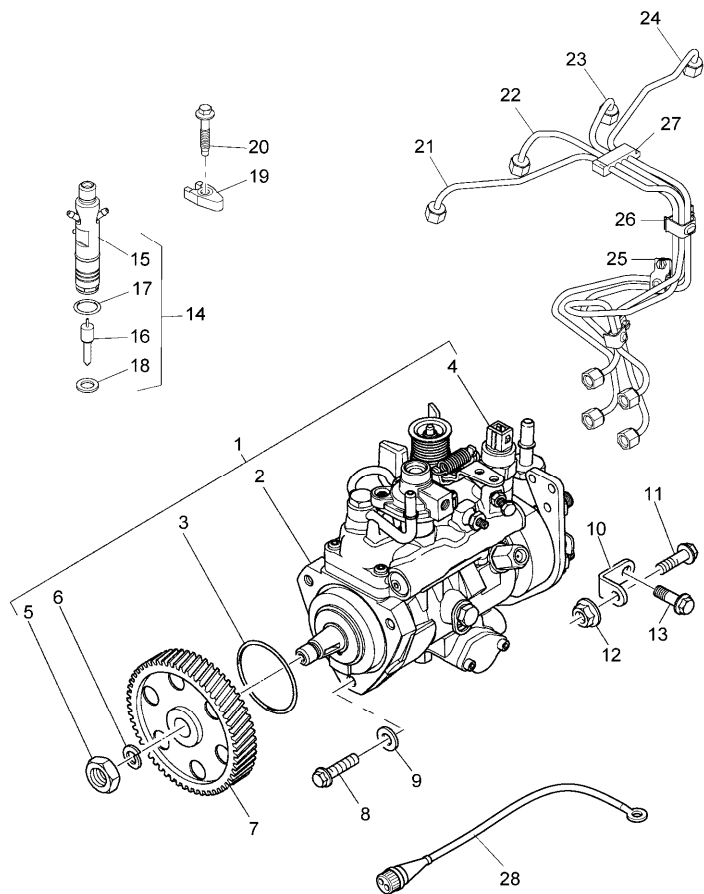
RT64\000015077.PNG

A-05
09



A0509

Fuel injection equipment (diesel)



		Inglese
1	2644C314/22 ●	2644C314/23(1) 1 Pump
2	!	1 Pump
	➡	Ref.n.1
3	26420318 !	1 Ring
	T-A 4:50	
4	26420469 !	1 Solenoid
	(X) 1.2.5.	
	T-A 0:25	
5	2318A108 !	1 Nut
6	K134AF01 !	1 Washer
7	3117L261	1 Gear
8	2314H004	3 Screw
9	2411D008	3 Washer
10	3641A007	1 Stirrup
11	2314H003	1 Screw
12	2318A603	1 Nut
13	2314J002	1 Screw
14	2645K025	4 Nozzle
15	!	14 Support
	➡	Ref.n.14
16	!	14 Nozzle
	➡	Ref.n.14
17	26460064 !	1 Ring
18	L311FF02 !	1 Washer
19	3751A241	4 Clamp

Engine

Bmax Tier 3 (2011-) - RT64 - 100

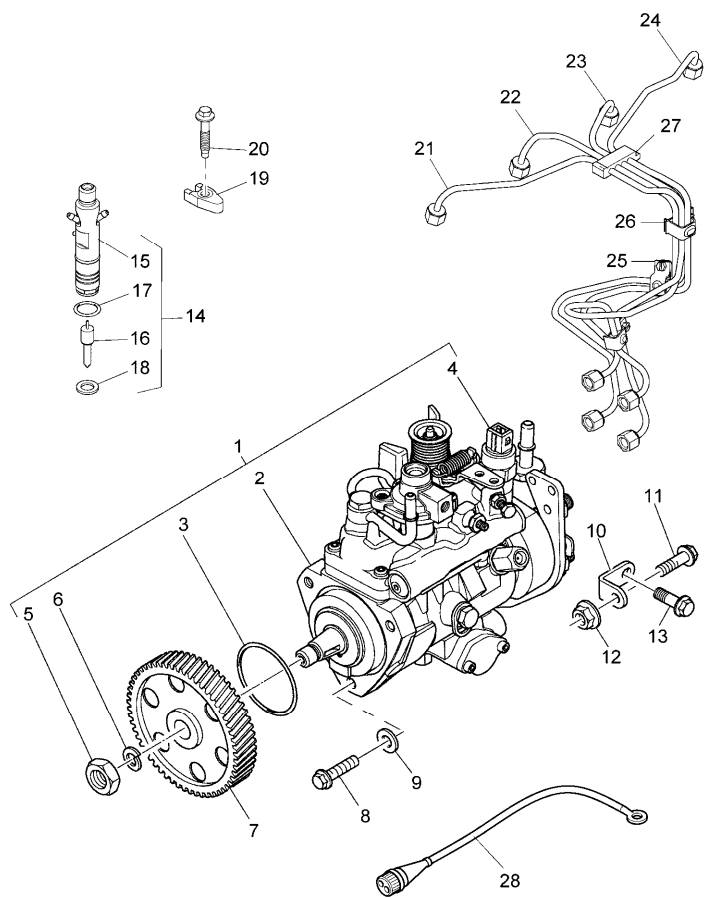
A-05
09



A0509

Fuel injection equipment (diesel)

RT64\000015077.PNG



20 2314W009

21 3525A101

22 3525A102

23 3525A103

24 3525A104

25 2481Y011

26 2481Y012

27 2646E019

28 3673286M91 "bosch"

Inglese

4 Screw

1 Pipe

1 Pipe

1 Pipe

1 Pipe

2 Clip

1 Clip

1 Clip

1 Harness

! This is a component of an assembly

Not serviced, order

Replacement

(X) Qty per tractors sold (aa.bbb.ccc.ddd) (aa) for 1,(bbb) 2-10 (ccc) 11-25 (ddd) 26-50

T-A Replacement

Engine

Bmax Tier 3 (2011-) - RT64 - 100

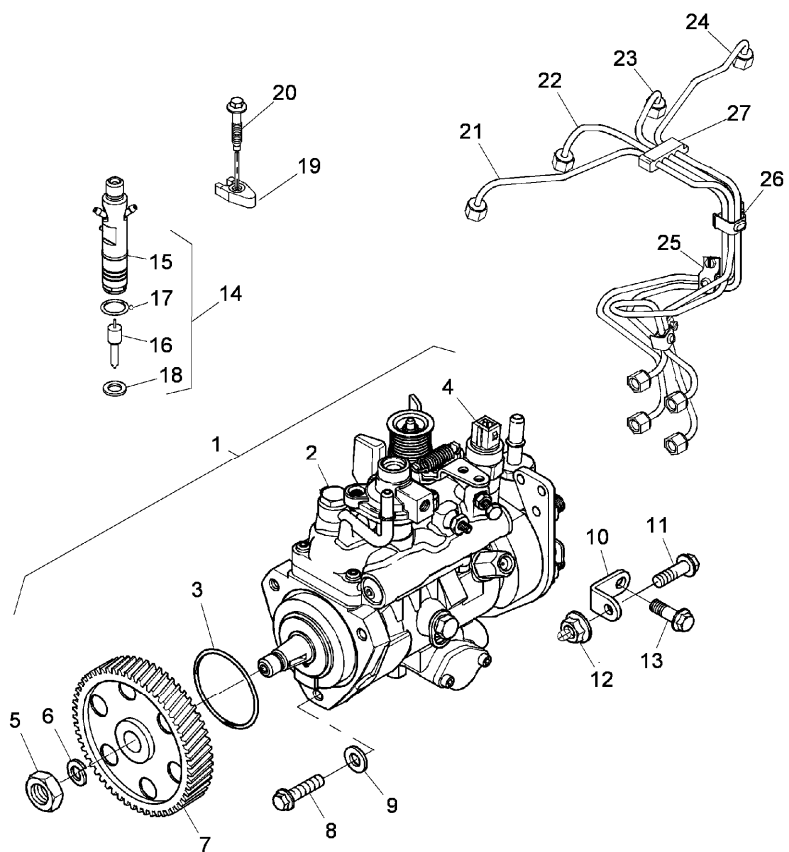
**A-05
095**



A05095

Fuel injection equipment (diesel)

RT64\00007943.png



Inglese

-	A	
1	2644C348/22	1 Pump
2	!	1 Pump
	➡ Ref.n.1	
3	26420318	1 Ring
	T-A 4:50	
4	26420469	1 Solenoid
	(X) 1.2.5.	
	T-A 0:25	
5	2318A108	1 Nut
6	K134AF01	1 Washer
7	3117L261	1 Gear
8	2314H004	3 Screw
9	2411D008	3 Washer
10	3641A007	1 Stirrup
11	2314H003	1 Screw
12	2318A603	1 Nut
13	2314J002	1 Screw
14	2645K025	4 Nozzle
15	!	14 Support
	➡ Ref.n.14	
16	!	14 Nozzle
	➡ Ref.n.14	
17	26460064	1 Ring
18	L311FF02	1 Washer

Engine

**A-05
095**

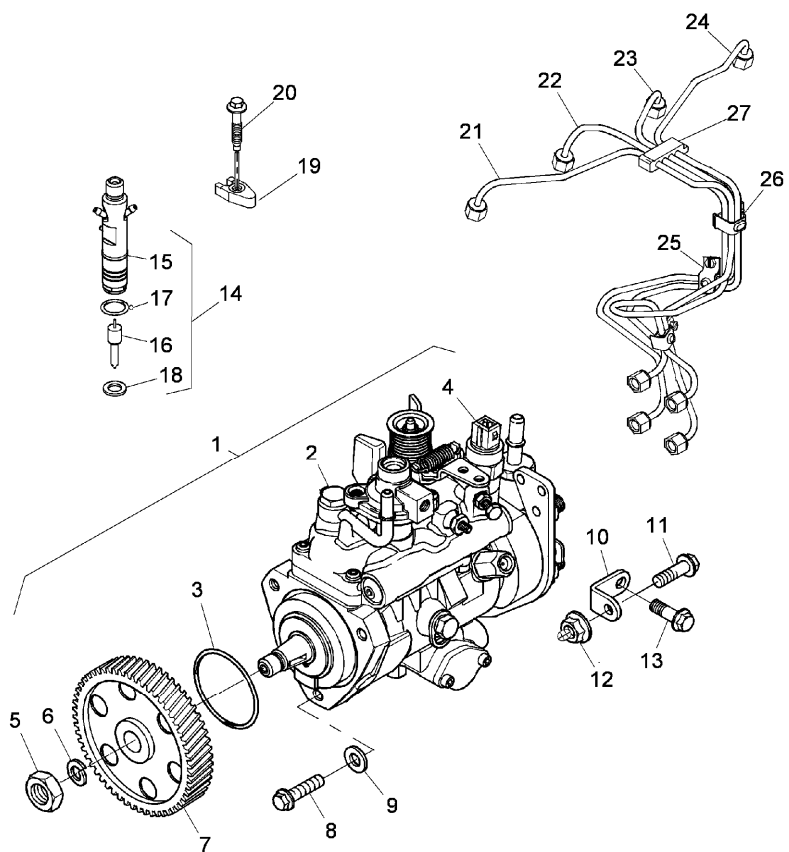
Fuel injection equipment (diesel)

Bmax Tier 3 (2011-) - RT64 - 100



A05095

RT64\00007943.png



Inglese

- 19 3751A241
- 20 2314W009
- 21 3525A101
- 22 3525A102
- 23 3525A103
- 24 3525A104
- 25 2481Y011
- 26 2481Y012
- 27 2646E019

- 4 Clamp
- 4 Screw
- 1 Pipe
- 1 Pipe
- 1 Pipe
- 1 Pipe
- 2 Clip
- 1 Clip
- 1 Clip

! This is a component of an assembly

Not serviced, order

(X) Qty per tractors sold (aa.bbb.ccc.ddd) (aa) for 1,(bbb) 2-10 (ccc) 11-25 (ddd) 26-50

T-A Replacement

A For south african market

Engine

Bmax Tier 3 (2011-) - RT64 - 100

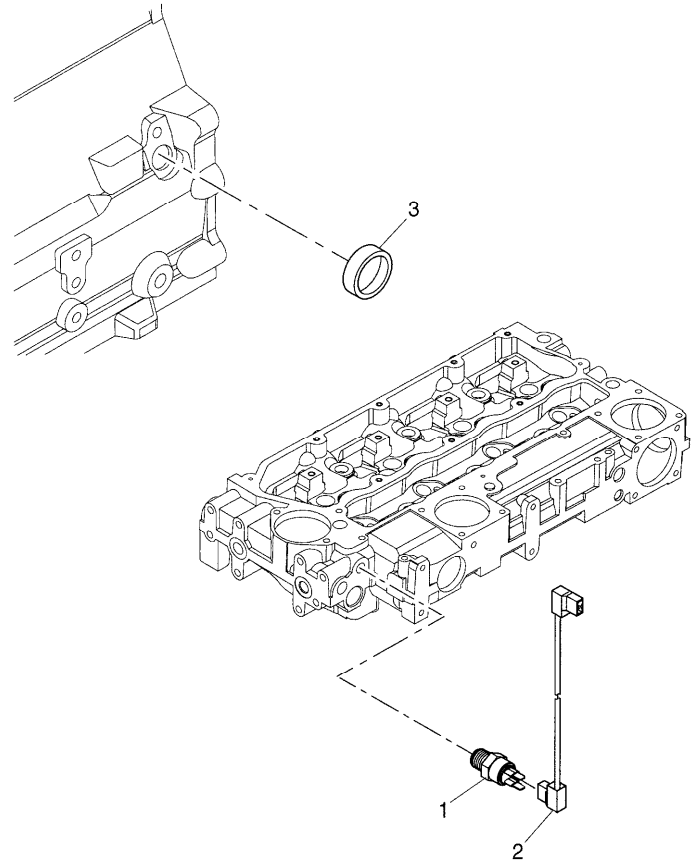
RT64\000020530.png

A-05
10



A0510

Sensor pickup



- 1 2848A127 T-A 0:50
 - 2 3161C017
 - 3 2485A109
- T-A Replacement

Inglese

- 1 Sensor
- 1 Cable
- 1 Plug

Engine

Bmax Tier 3 (2011-) - RT64 - 100

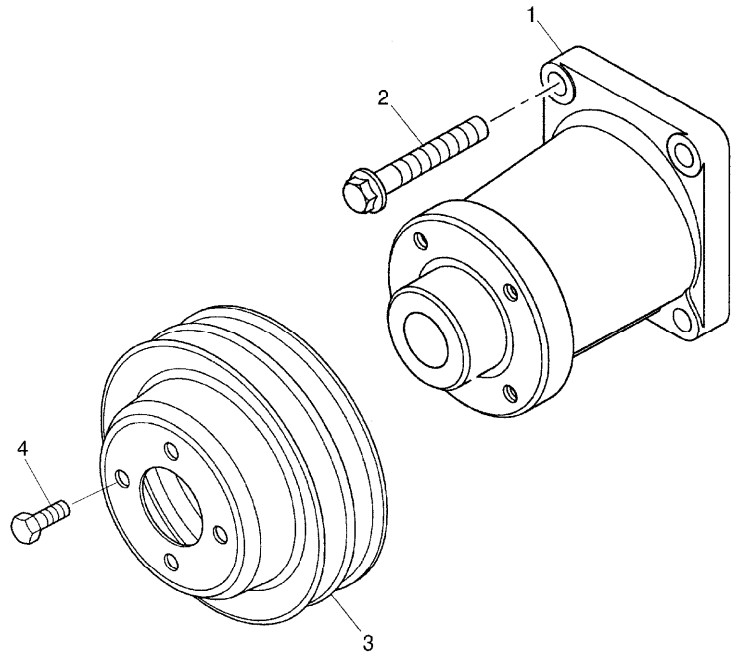
RT64\000015079.png

A-05
11



A0511

Fan-type pulley



- 1 4113K005 T-A 1:75
 - 2 2314J005
 - 3 3115C113 T-A 1:50
 - 4 2314C044
- T-A Replacement

Inglese

- 1 Housing
- 4 Screw
- 1 Pulley
- 4 Screw



Suggest:

For more complete manuals. Please go to the home page.

<https://www.ebooklibonline.com>

If the above button click is invalid. Please download this document first, and then click the above link to download the complete manual.

Thank you so much for reading

Engine

Bmax Tier 3 (2011-) - RT64 - 100

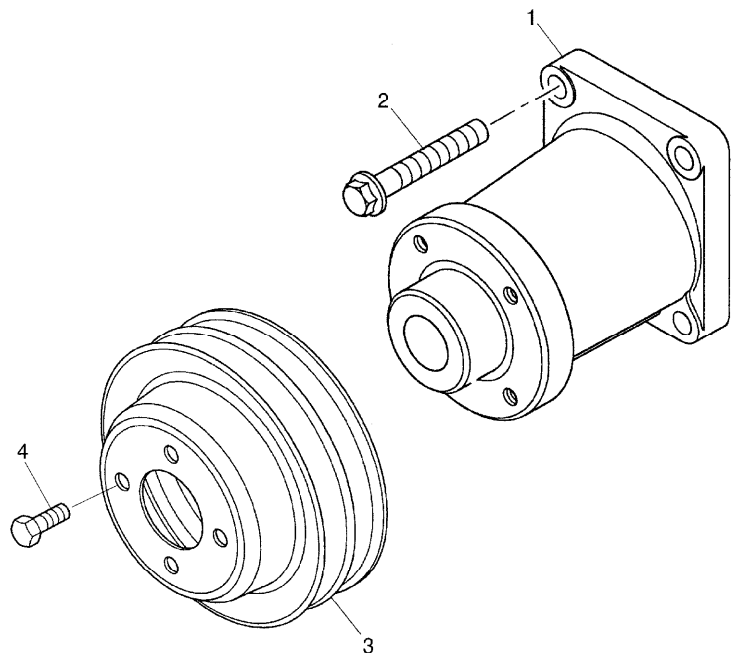
RT64\000015079.png

A-05
115



A05115

Fan-type pulley



- A
- 1 4113K005 T-A 1:75
- 2 2314J005
- 3 3115C161
- 4 2314C044
- T-A Replacement
- A For south african market

Inglese

- 1 Housing
- 4 Screw
- 1 Pulley
- 4 Screw

Engine

Bmax Tier 3 (2011-) - RT64 - 100

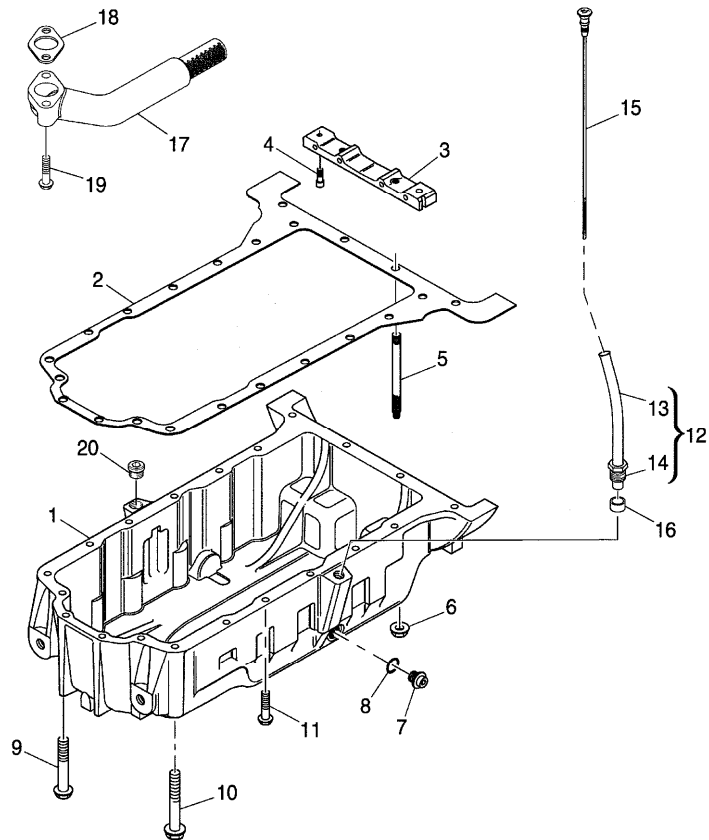
RT64\000014129.png

A-05
12



A0512

Lubricating oil sump



- | | | | | |
|----|----------|-----|-------------|--|
| 1 | 3717E271 | | | |
| 2 | 3681K036 | (X) | 1.2.5. | |
| | | T-A | 1:50 | |
| 3 | 3627P041 | T-A | 1:50 | |
| 4 | 2311D039 | | | |
| 5 | 3211P013 | | | |
| 6 | 2318A603 | | | |
| 7 | 32186405 | T-A | 0:25 | |
| 8 | 2415715 | T-A | 0:25 | |
| 9 | 2314H023 | | | |
| 10 | 2314H022 | ● | 2314H052(1) | |
| 11 | 2314H015 | | | |
| 12 | 3577A125 | T-A | 0:25 | |
| 13 | | ! | 12 | |
| | | ➡ | Ref.n.12 | |
| 14 | 3353D005 | ! | 12 | |
| 15 | 3178C081 | T-A | 0:25 | |
| 16 | 33812116 | | | |
| 17 | 3765A091 | T-A | 1:75 | |
| 18 | 36832137 | T-A | 1:75 | |
| 19 | 2314H006 | | | |
| 20 | 2431A016 | | | |

Inglese

- | | |
|----|------------|
| 1 | Crankcase |
| 1 | Gasket |
| 1 | Crosspiece |
| 2 | Screw |
| 2 | Stud |
| 2 | Nut |
| 2 | Plug |
| 2 | Ring |
| 5 | Screw |
| 1 | Screw |
| 12 | Screw |
| 1 | Pipe |
| 1 | Pipe |
| 1 | Nut |
| 1 | Rod |
| 1 | Olive |
| 1 | Pipe |
| 1 | Gasket |
| 2 | Screw |
| 1 | Plug |

- ! This is a component of an assembly
- ➡ Not serviced, order
- Replacement

<https://www.ebooklibonline.com>

Hello dear friend!

Thank you very much for reading.

Enter the link into your browser.

The full manual is available for immediate download.

<https://www.ebooklibonline.com>