

Engine

Bmax Tier 3 (2011-) - RT64 - 90

RT64\00005170.png

A-05
01



A0501

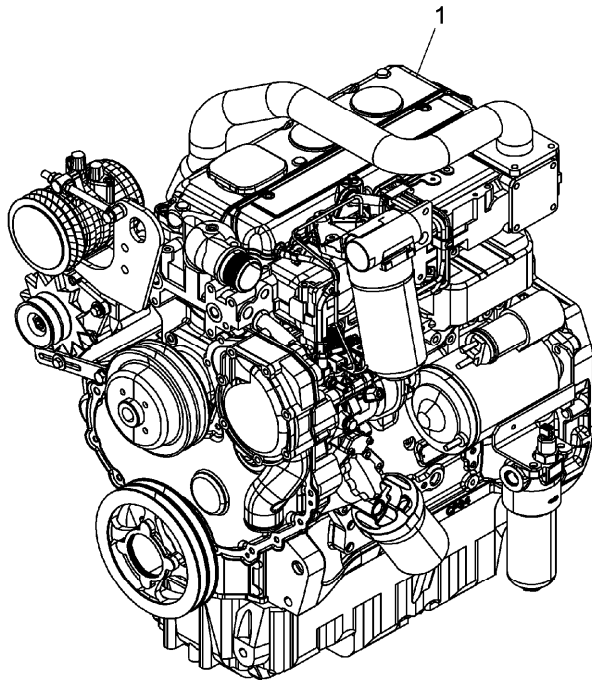
Engine assembly

Inglese

1 3695284M91 "perkins - n138967 1 Engine
60 kw

A

A Tier 3



Engine

Bmax Tier 3 (2011-) - RT64 - 90

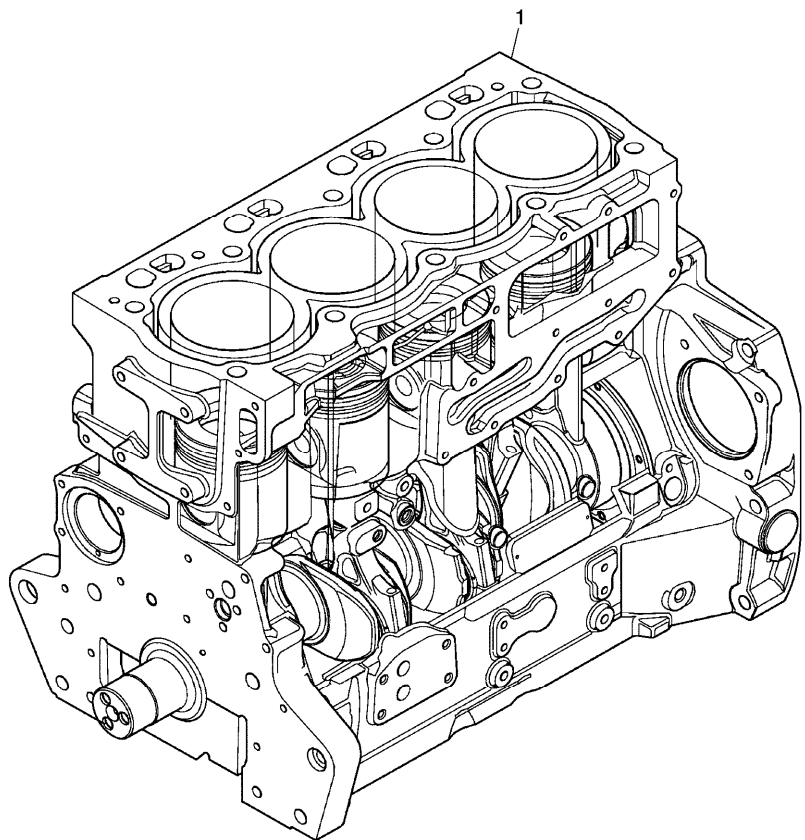
RT64\000015070.png

A-05
02



A0502

Short engine



Inglese

- | | | | | | |
|---|---------|--|----------------------------------|---|--------------|
| 1 | NM40008 | | U056074 t | 1 | Short engine |
| | | | 3115A141(1),
32186146(3), NM4 | | |
| 1 | NM40019 | | U056075 t | 1 | Short engine |

- From serial or engine number
- Up to serial or engine number
- Replacement

Engine

Bmax Tier 3 (2011-) - RT64 - 90

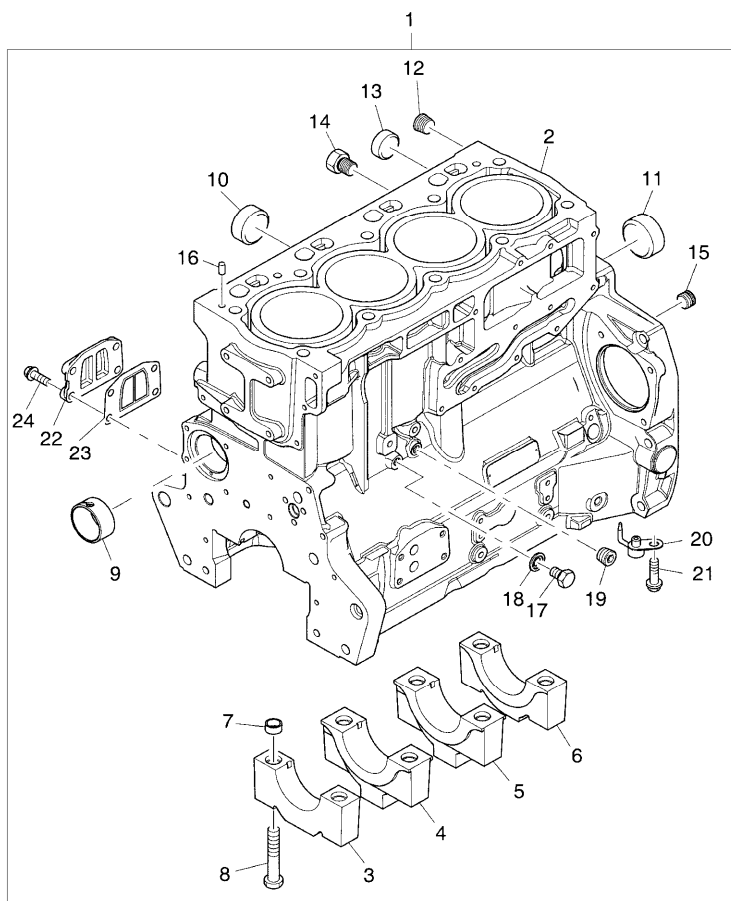
**A-05
03**



A0503

Cylinder block

RT64\000015072.png



		Inglese	
1	ZZ50321	● ZZ50325(1)	1 Block
2		! 1	1 Cylinder block
3		➡ Ref.n.1	1 Bearing
4		! 1	2 Bearing
5		➡ Ref.n.1	1 Bearing
6		! 1	1 Bearing
7	33142111	! 1	10 Manicott
8	32166329	! 1	10 Screw
9	3112D071	! 1	1 Bush
10	3241A011	● 3112D075(1)	2 Plug
11	3241A012	! 1	1 Plug
12	0650588	! 1	1 Plug
13	0650710	! 1	1 Plug
14	32141316	! 1	1 Plug
15	3212P008	! 1	1 Plug
16	3244A009	! 1	2 Dowel
17	2314C049	! 1	1 Screw
18	2415D053	! 1	1 Washer
19	0650594	! 1	1 Plug

<https://www.ebooklibonline.com>

Hello dear friend!

Thank you very much for reading.

Enter the link into your browser.

The full manual is available for immediate download.

<https://www.ebooklibonline.com>

Engine

Bmax Tier 3 (2011-) - RT64 - 90

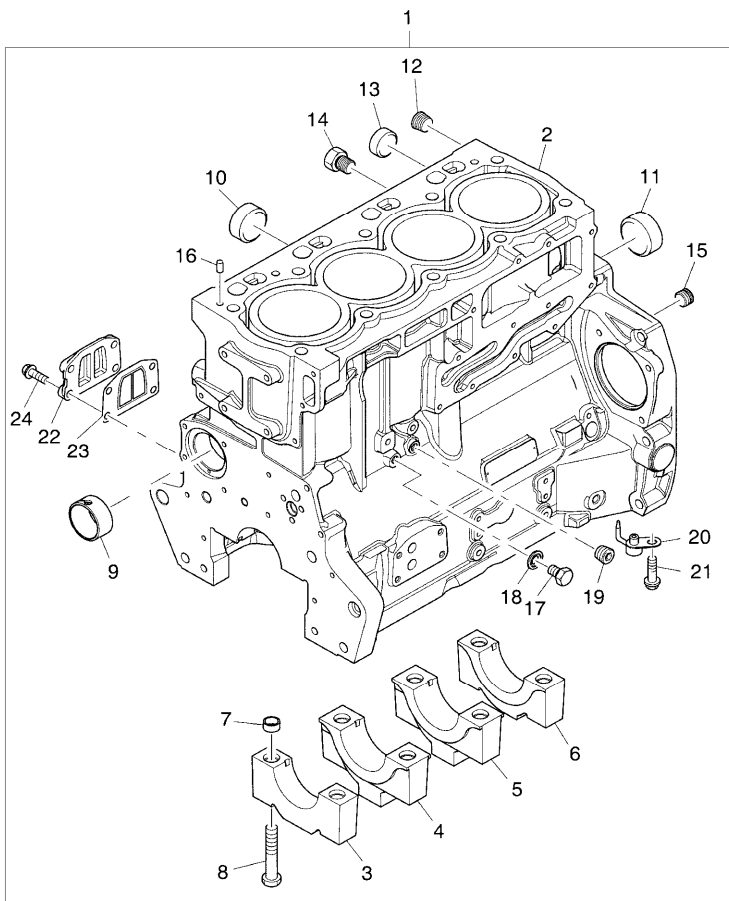
A-05
03



A0503

Cylinder block

RT64\000015072.png



- 20 2113A003 ! 1
- 21 2314F001 ! 1
- 22 3753A071 ! 1
- 23 3688A041 ! 1
- 24 2314H034 ! 1

Inglese

- 4 Atomiser
- 4 Screw
- 1 Coperch.
- 1 Ring
- 4 Screw

- ! This is a component of an assembly
- 🔧 Not serviced, order
- ⦿ Replacement

Engine

Bmax Tier 3 (2011-) - RT64 - 90

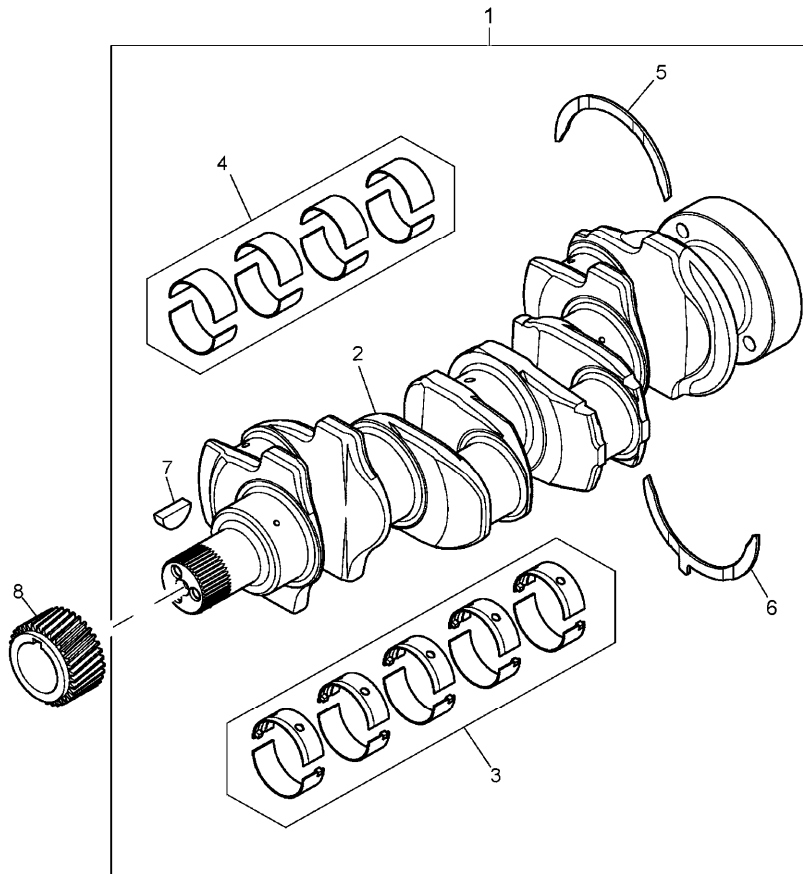
RT64\000015073.png

A-05
04



A0504

Camshaft



		Inglese	
1	ZZ90222	➔ U056074 t	1 Kit
		● ZZ90239(1)	
1	ZZ90237	➔ U056075 t	1 Shaft
2		! 1	1 Shaft
		➔ Ref.n.1	
3	U5MB0018	! 1	1 Kit
		➔ U056074 t	
		● U5MB0033(1)	
		T-A 15:0	
3	U5MB0018A	! 1	1 Kit
		⚡ 0.010"	
		➔ U056074 t	
		● U5MB0033A(1)	
		T-A 15:0	
3	U5MB0018B	! 1	1 Kit
		⚡ 0.020"	
		➔ U056074 t	
		● U5MB0033B(1)	
		T-A 15:0	
3	U5MB0018C	! 1	1 Kit
		⚡ 0.030"	
		➔ U056074 t	
		● N.L.A.(1)	
		T-A 15:0	
3	U5MB0033	! 1	1 Kit
		➔ U056075 t	

Engine

Bmax Tier 3 (2011-) - RT64 - 90

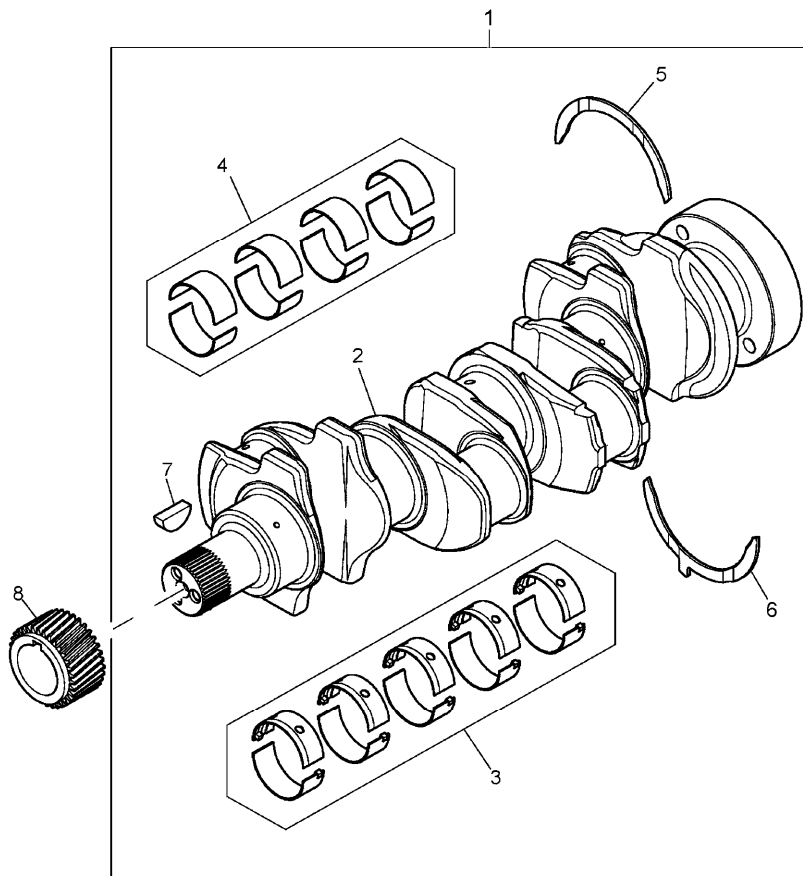
RT64\000015073.png

A-05
04



A0504

Camshaft



Inglese

3	U5MB0033A	!	1	1 Kit
		⚡	-0,25mm	
		➔	U056075 t	
3	U5MB0033B	!	1	1 Kit
		⚡	-0,50mm	
		➔	U056075 t	
3	U5MB0033C	!	1	1 Kit
		⚡	-0,75mm	
		➔	U056075 t	
		●	N.L.A.(1)	
4	T400002	!	1	1 Kit
		➔	U056075 t	
		●	T410927(1)	
4	U5ME0026	!	1	1 Kit
		➔	U056074 t	
		●	U5ME0034(1)	
4	U5ME0026A	!	1	1 Kit
		⚡	0.25mm	
		➔	U056074 t	
		●	U5ME0034A(1)	
4	U5ME0026B	!	1	1 Kit
		⚡	0.50mm	
		➔	U056074 t	
		●	U5ME0034B(1)	

Engine

Bmax Tier 3 (2011-) - RT64 - 90

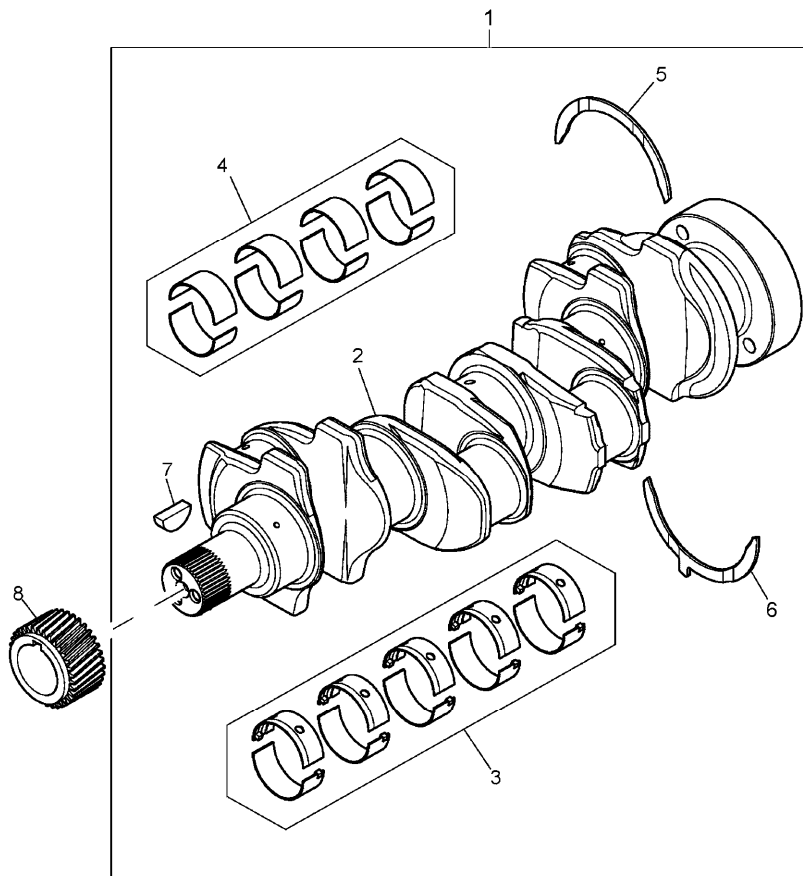
RT64\000015073.png

**A-05
04**



A0504

Camshaft



			Inglese
4	U5ME0026C	! 1	1 Kit
		⚡ 0.75mm	
		➡ U056074 t	
		● U5ME0034C(1)	
5	31137312	! 1	2 Ring
		⚡ 0.007"	
		T-A 15:0	
5	31137551	! 1	2 Washer
		T-A 15:0	
6	31137322	! 1	2 Ring
		⚡ 0.007"	
		T-A 15:0	
6	31137561	! 1	2 Washer
		T-A 15:0	
7	0500012	! 1	1 Key
		T-A 10:0	
8	3117C221	T-A 10:0	1 Gear
!	This is a component of an assembly		
➡	From serial or engine number		
➡	Up to serial or engine number		
🛠	Not serviced, order		
⚡	Shim		
●	Replacement		
T-A	Replacement		

Engine

Bmax Tier 3 (2011-) - RT64 - 90

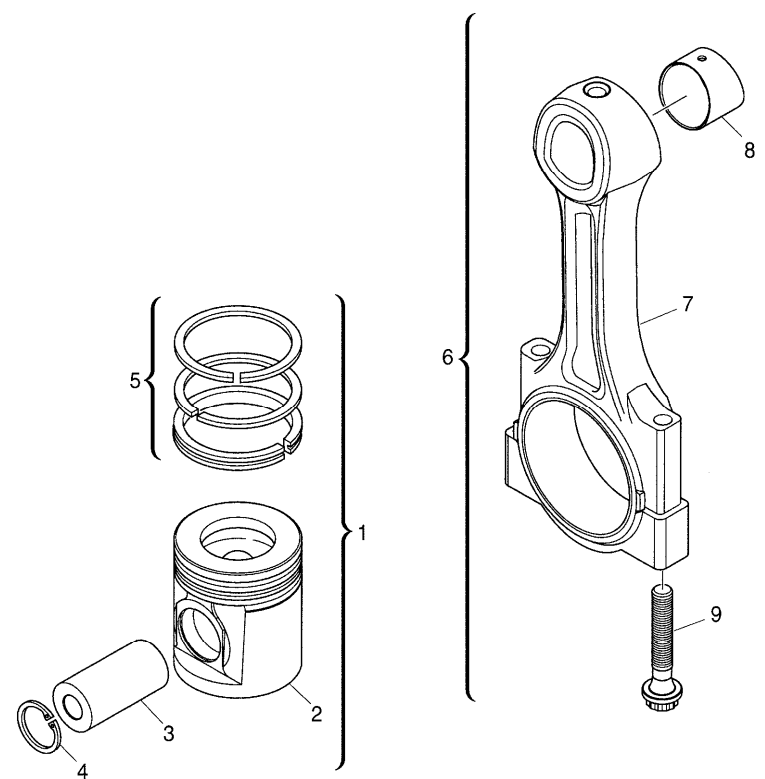
RT64\000020525.png

A-05
05



A0505

Pistons and connecting rods



		Inglese
1	U5PR0063	4 Kit
2	! 1	1 Piston
	➡ Ref.n.1	
3	! 1	1 Pin
	➡ Ref.n.1	
4	2721332 ! 1	2 Ring
5	UPRK0003 ! 1	1 Kit
	(X) 0.2.5.	
	T-A 11:25	
6	4115C311 ➡ U056074 t	4 Kit
	A	
	T-A 14:0	
6	4115C312 ➡ U056074 t	4 Kit
	B	
	T-A 14:0	
6	4115C313 ➡ U056074 t	4 Kit
	C	
	T-A 14:0	
6	4115C314 ➡ U056074 t	4 Kit
	D	
	T-A 14:0	
6	4115C315 ➡ U056074 t	4 Kit
	E	
	T-A 14:0	

Engine

Bmax Tier 3 (2011-) - RT64 - 90

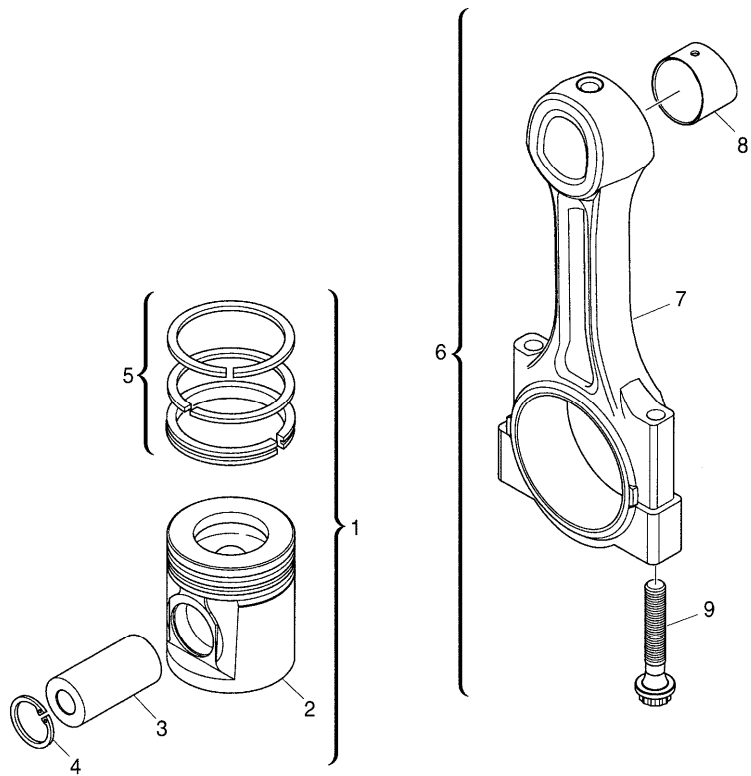
RT64\000020525.png

**A-05
05**



A0505

Pistons and connecting rods



		Inglese	
6	4115C316	➡ U056074 t F T-A 14:0	4 Kit
6	4115C361	➡ U056075 t A	4 Conrod
6	4115C362	➡ U056075 t B	4 Conrod
6	4115C363	➡ U056075 t C	4 Conrod
6	4115C364	➡ U056075 t D	4 Conrod
6	4115C365	➡ U056075 t E	4 Conrod
6	4115C366	➡ U056075 t F	4 Conrod
7		! 6 ➡ Ref.n.6	1 Conrod
8	3112A005	! 6 T-A 14:0	1 Bush
9	3212V003	! 6	2 Screw
9	T400001	! 6 ➡ U056074 t ➡ U056075 t	2 Screw

- ! This is a component of an assembly
- ➡ From serial or engine number
- ➡ Up to serial or engine number
- ➡ Not serviced, order

Engine

Bmax Tier 3 (2011-) - RT64 - 90

RT64\000020525.png

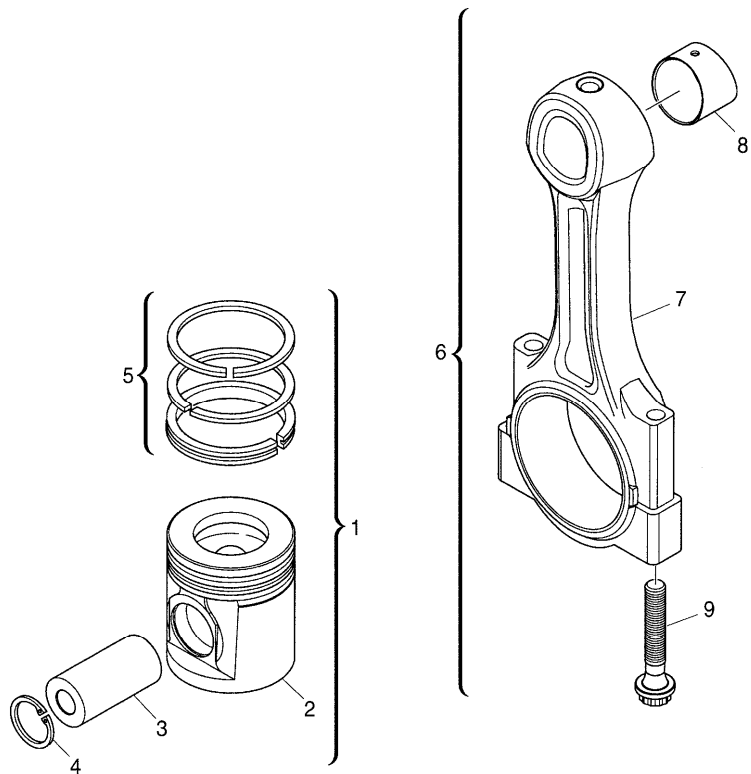
A-05
05



A0505

Pistons and connecting rods

- (X) Qty per tractors sold (aa.bbb.ccc.ddd) (aa) for 1,(bbb) 2-10 (ccc) 11-25 (ddd) 26-50
- T-A Replacement
- A Red
- B Orange
- C White
- D Green
- E Purple
- F Blue



Engine

Bmax Tier 3 (2011-) - RT64 - 90

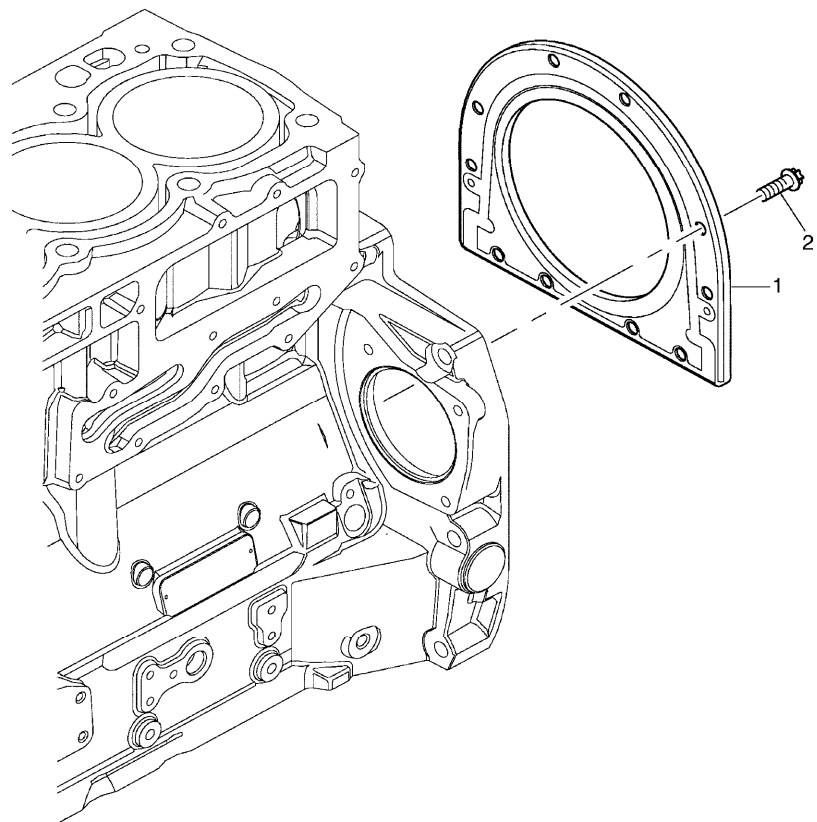
RT64\000015074.png

A-05
06



A0506

End cover



1 2418F704 T-A 9:0

2 3211C002

T-A Replacement

Inglese

1 Housing

10 Screw

Engine

Bmax Tier 3 (2011-) - RT64 - 90

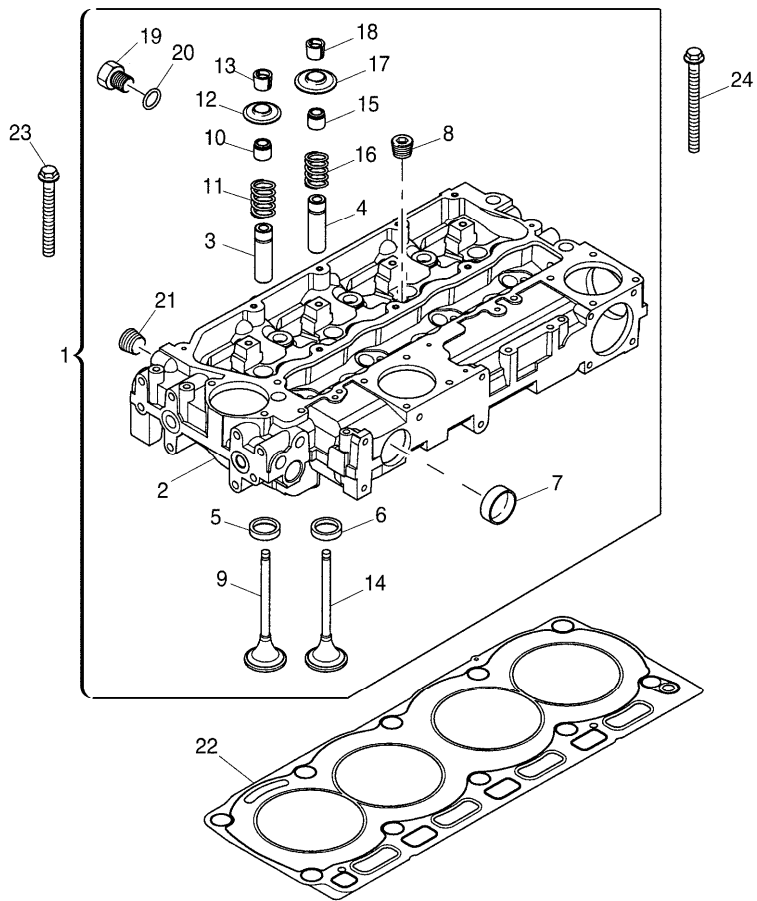
RT64\000020527.png

**A-05
07**



A0507

Cylinder head



1	ZZ80279		
2		!	1
3	3313A012	!	1
4	3313A012	!	1
5	3314A221	!	1
6	3314A231	!	1
7	32416117	!	1
8	0650588	!	1
9	3142H101	!	1
10	2418M519	!	1
	A		
11	3174A031	!	1
	●		T417479(4)
12	3342A021	!	1
13	2714A002	!	1
14	3142A171	!	1
15	2418M517	!	1
	B		
16	3174A031	!	1
	●		T417479(4)
17	3342A021	!	1
18	2714A002	!	1
19	3278A006	!	1
20	2415H003	!	1

Inglese

1	Cylinder head
1	Kit
4	Insert
4	Insert
4	Insert
4	Insert
2	Plug
4	Plug
4	Valve
4	Ring
4	Spring
4	Coperch.
8	Collar
4	Valve
4	Ring
4	Spring
4	Coperch.
8	Collar
1	Plug
1	Ring

Engine

Bmax Tier 3 (2011-) - RT64 - 90

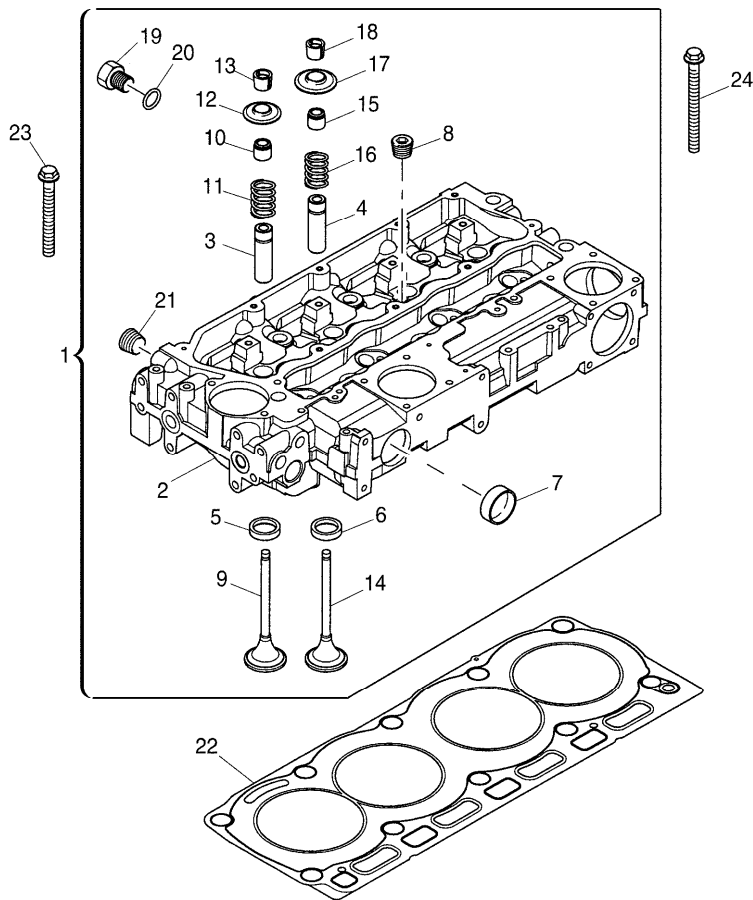
RT64\000020527.png

A-05
07



A0507

Cylinder head



21 2431154 ! 1

22 3681E051

23 3218A011

24 3218A012

! This is a component of an assembly

Not serviced, order

Replacement

A Green

B Brown

Inglese

2 Plug

1 Gasket

7 Screw

3 Screw

Engine

Bmax Tier 3 (2011-) - RT64 - 90

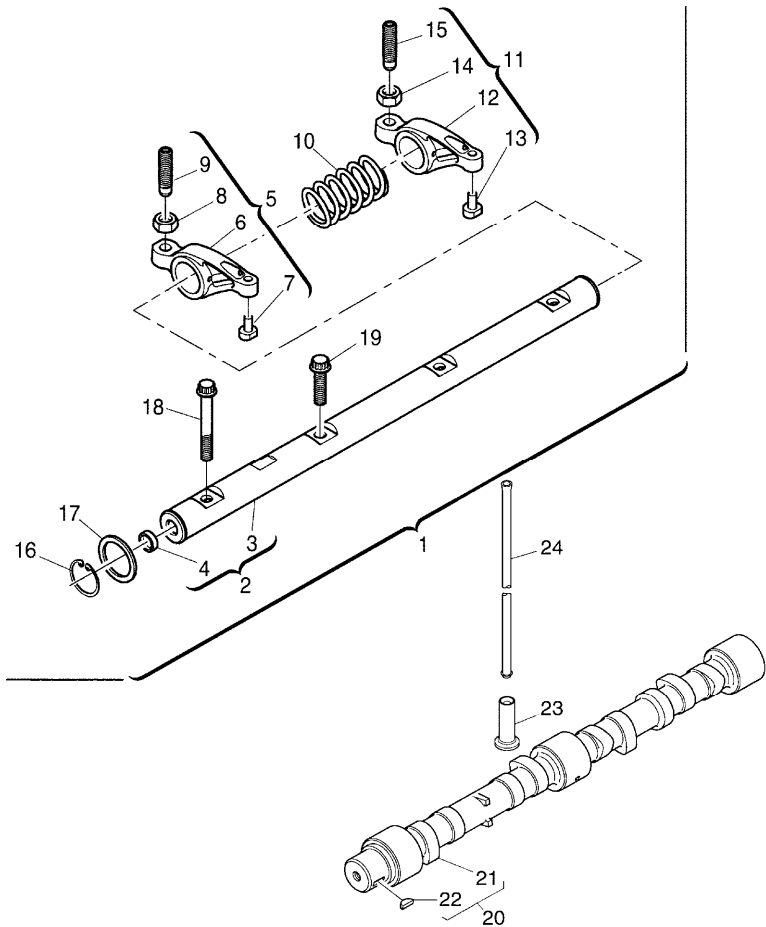
RT64\000015075.png

A-05
08



A0508

Rocker shaft



		Inglese	
1	4115R613		1 Axle
2	4115R703	! 1	1 Shaft
		T-A 4:0	
3		! 2	1 Axle
		➡ Ref.n.2	
4	2485A104	! 2	2 Plug
5	4115R319	! 1	4 Lever
6		! 5	1 Rocker
		➡ Ref.n.5	
7		! 5	1 Pad
		➡ Ref.n.5	
8	3331A006	! 5	1 Nut
9	3211C004	! 5	1 Screw
10	3174A015	! 1	3 Spring
		T-A 4:0	
11	4115R318	! 1	4 Lever
12		! 11	1 Rocker
		➡ Ref.n.11	
13		! 11	1 Pad
		➡ Ref.n.11	
14	3331A006	! 11	1 Nut
15	3211C004	! 11	1 Screw
16	2722A022	! 1	2 Ring
17	2134A502	! 1	2 Washer
18	2316A901	! 1	1 Screw

Engine

Bmax Tier 3 (2011-) - RT64 - 90

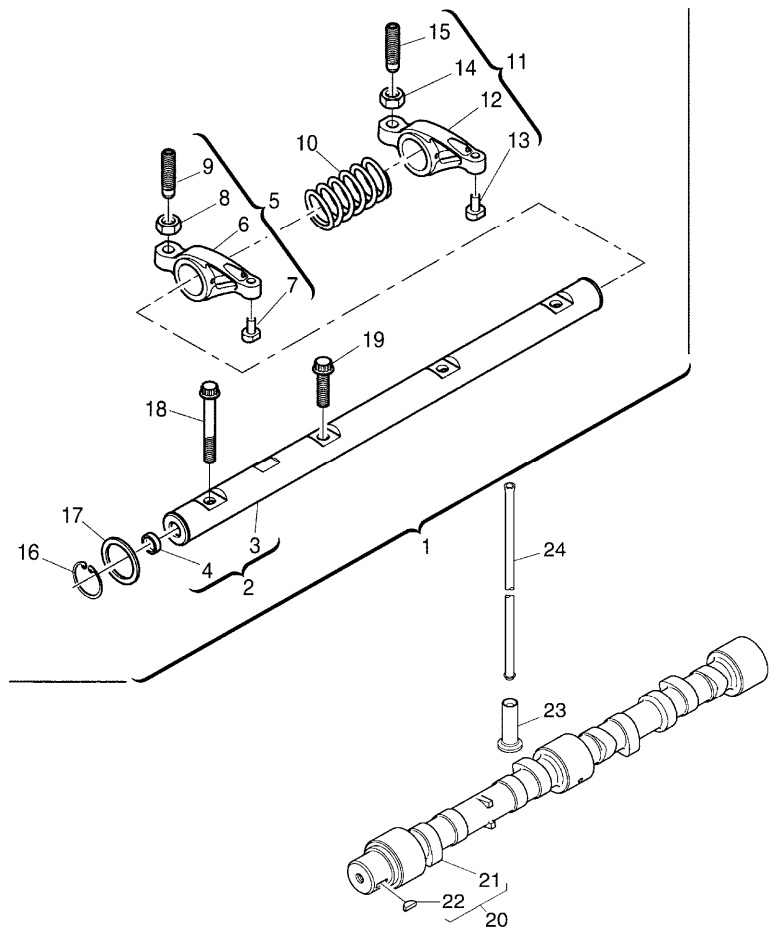
RT64\000015075.png

**A-05
08**



A0508

Rocker shaft



Inglese

19	2316A902	!	1	3	Screw
20	4112K032	●	4112K077(1)	1	Shaft
21		!	20	1	Shaft
		➡	Ref.n.20		
22	0500012	!	20	1	Key
23	3142U061			8	Tappet
24	3142V011			8	Rod

- ! This is a component of an assembly
- ➡ Not serviced, order
- Replacement
- T-A Replacement

Engine

Bmax Tier 3 (2011-) - RT64 - 90

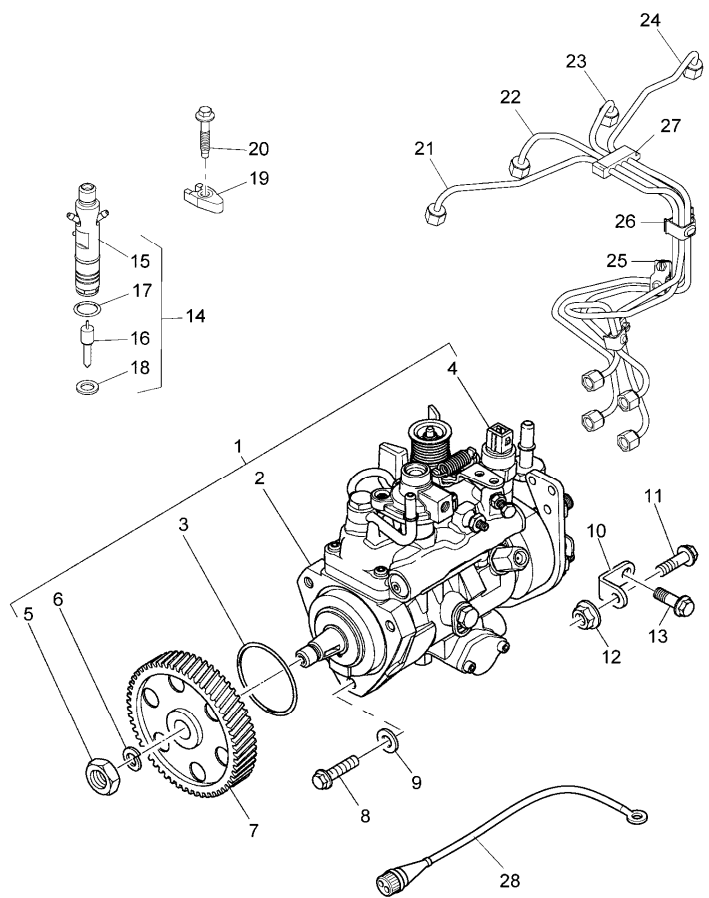
RT64\000015077.PNG

A-05
09



A0509

Fuel injection equipment (diesel)



		Inglese
1	2644C342/22	1 Pump
2	!	1 Pump
	➡ Ref.n.1	
3	26420318	1 Ring
	T-A 4:50	
4	26420469	1 Solenoid
	(X) 1.2.5.	
	T-A 0:25	
5	2318A108	1 Nut
6	K134AF01	1 Washer
7	3117L261	1 Gear
8	2314H004	3 Screw
9	2411D008	3 Washer
10	3641A007	1 Stirrup
11	2314H003	1 Screw
12	2318A603	1 Nut
13	2314J002	1 Screw
14	2645K025	4 Nozzle
15	!	14 Support
	➡ Ref.n.14	
16	!	14 Nozzle
	➡ Ref.n.14	
17	26460064	1 Ring
18	L311FF02	1 Washer
19	3751A241	4 Clamp

Engine

Bmax Tier 3 (2011-) - RT64 - 90

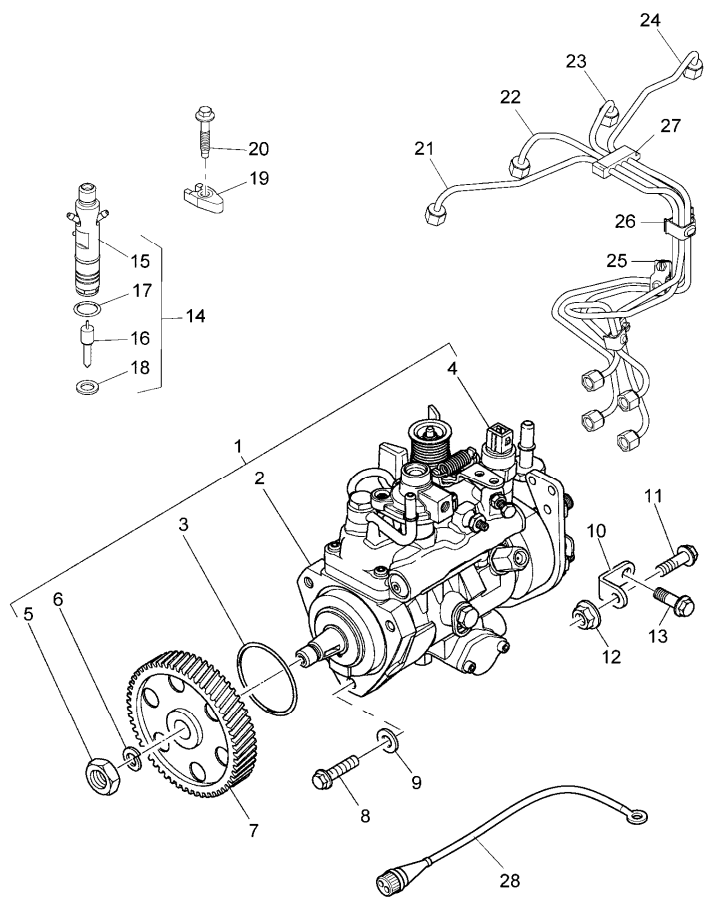
A-05
09



A0509

Fuel injection equipment (diesel)

RT64\000015077.PNG



- 20 2314W009
- 21 3525A101
- 22 3525A102
- 23 3525A103
- 24 3525A104
- 25 2481Y011
- 26 2481Y012
- 27 2646E019
- 28 3673286M91 "bosch"

- Inglese
- 4 Screw
 - 1 Pipe
 - 1 Pipe
 - 1 Pipe
 - 1 Pipe
 - 2 Clip
 - 1 Clip
 - 1 Clip
 - 1 Harness

! This is a component of an assembly
 Not serviced, order
 (X) Qty per tractors sold (aa.bbb.ccc.ddd) (aa) for 1,(bbb) 2-10 (ccc) 11-25 (ddd) 26-50
 T-A Replacement

Engine

Bmax Tier 3 (2011-) - RT64 - 90

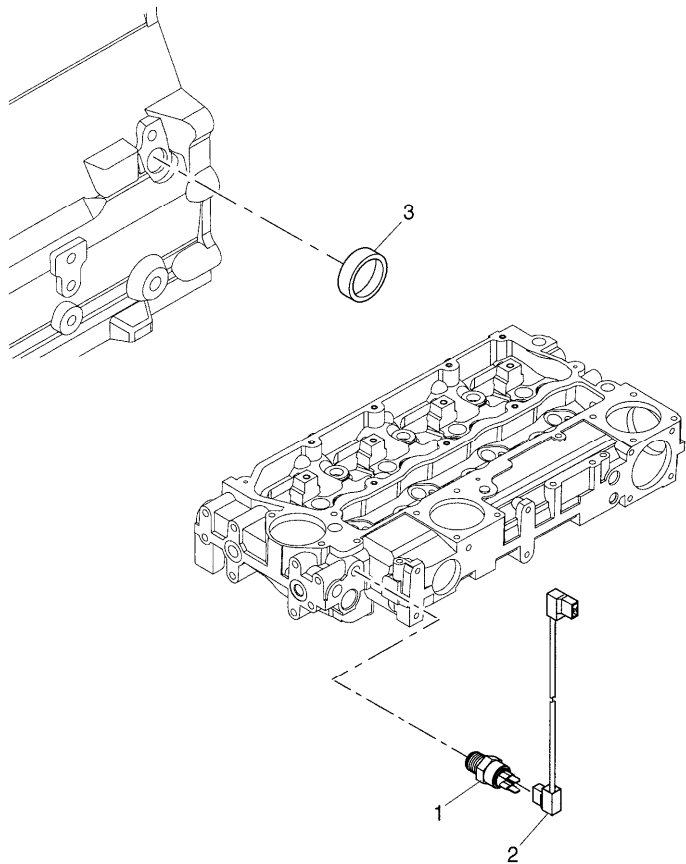
RT64\000020530.png

A-05
10



A0510

Sensor pickup



- 1 2848A127 T-A 0:50
 - 2 3161C017
 - 3 2485A109
- T-A Replacement

Inglese

- 1 Sensor
- 1 Cable
- 1 Plug

Engine

Bmax Tier 3 (2011-) - RT64 - 90

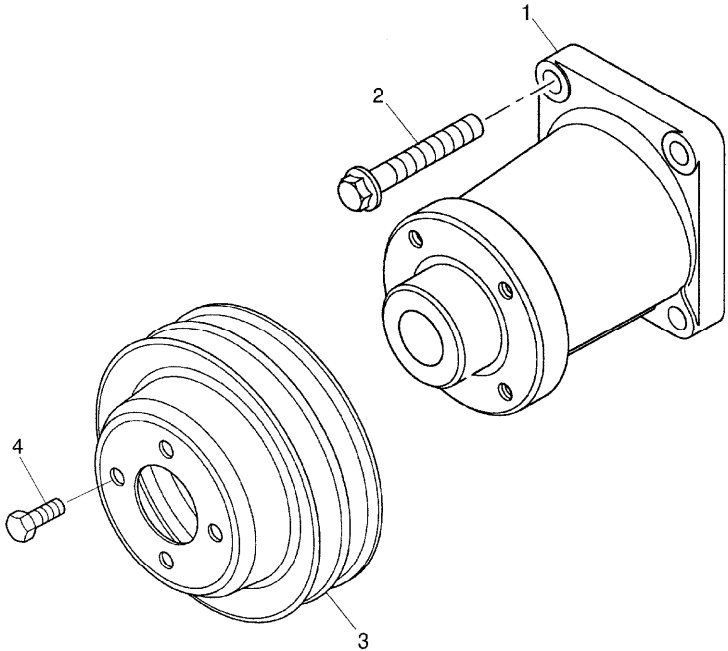
RT64\000015079.png

A-05
11



A0511

Fan-type pulley



1 4113K005 T-A 1:75

2 2314J005

3 3115C113 T-A 1:50

4 2314C044

T-A Replacement

Inglese

1 Housing

4 Screw

1 Pulley

4 Screw

Engine

Bmax Tier 3 (2011-) - RT64 - 90

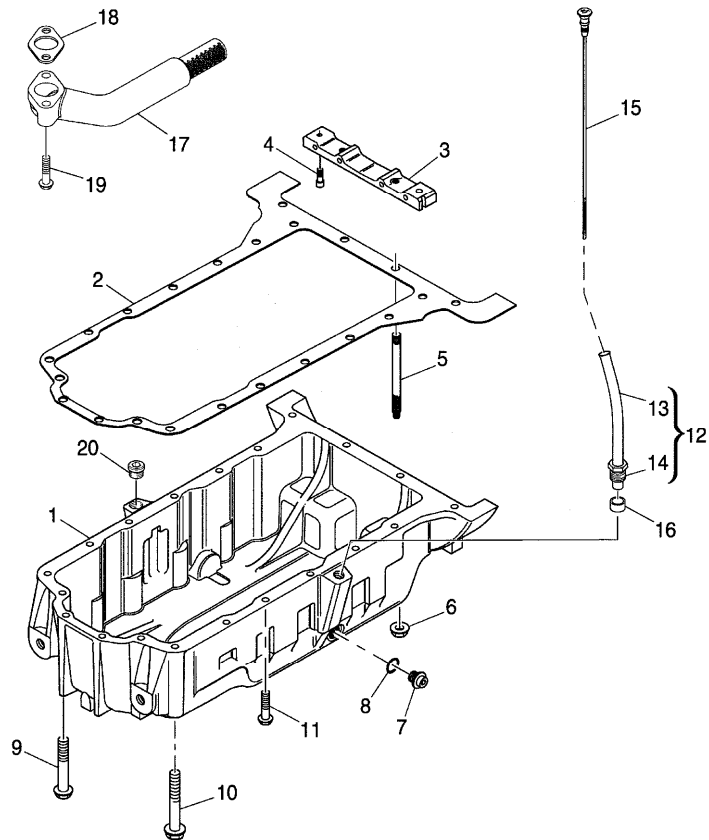
RT64\000014129.png

A-05
12



A0512

Lubricating oil sump



1	3717E271		
2	3681K036	(X)	1.2.5.
		T-A	1:50
3	3627P041	T-A	1:50
4	2311D039		
5	3211P013		
6	2318A603		
7	32186405	T-A	0:25
8	2415715	T-A	0:25
9	2314H023		
10	2314H022	●	2314H052(1)
11	2314H015		
12	3577A125	T-A	0:25
13		!	12
		➔	Ref.n.12
14	3353D005	!	12
15	3178C081	T-A	0:25
16	33812116		
17	3765A091	T-A	1:75
18	36832137	T-A	1:75
19	2314H006		
20	2431A016		

Inglese

1	Crankcase
1	Gasket
1	Crosspiece
2	Screw
2	Stud
2	Nut
2	Plug
2	Ring
5	Screw
1	Screw
12	Screw
1	Pipe
1	Pipe
1	Nut
1	Rod
1	Olive
1	Pipe
1	Gasket
2	Screw
1	Plug

- ! This is a component of an assembly
- ➔ Not serviced, order
- Replacement

Engine

Bmax Tier 3 (2011-) - RT64 - 90

A-05
12

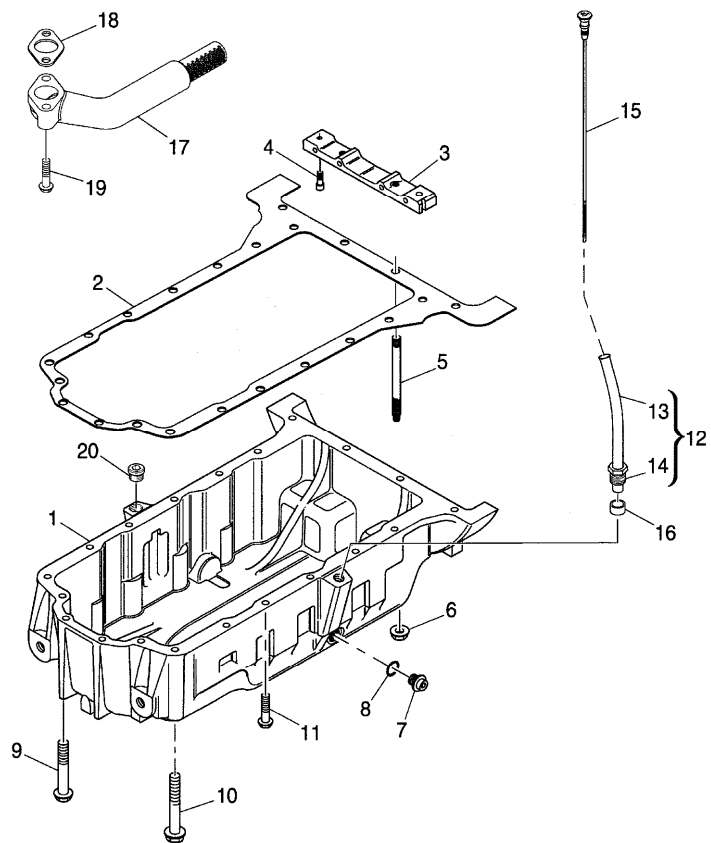


A0512

Lubricating oil sump

RT64\000014129.png

(X) Qty per tractors sold (aa.bbb.ccc.ddd) (aa) for 1,(bbb) 2-10 (ccc) 11-25 (ddd) 26-50
T-A Replacement



Engine

Bmax Tier 3 (2011-) - RT64 - 90

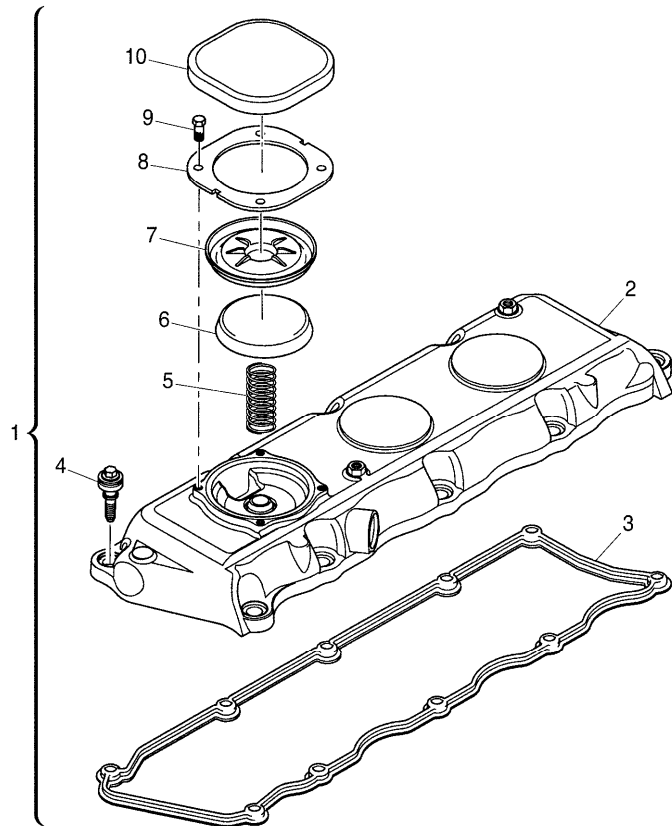
RT64\000020533.png

A-05
13



A0513

Cylinder head cover



		Inglese	
1	4142X325	● T417478(1)	1 Coperch.
2		! 1	1 Cover
3	3681A055	▣ Ref.n.1	1 Gasket
		(X) 1.2.5.	
		T-A 1:0	
4	2161A011	! 1	10 Screw
		● 2161A013(10)	
5	3174A017	! 1	1 Spring
		T-A 0:25	
6	3788A002	! 1	1 Cap
		T-A 0:25	
7	3789A001	! 1	1 Diaphragm
		T-A 0:25	
8	3615A009	! 1	1 Plate
		T-A 0:25	
9	2151A001	! 1	4 Screw
10	3788A003	! 1	1 Cap
		T-A 0:25	
	!	This is a component of an assembly	
	▣	Not serviced, order	
	●	Replacement	
	(X)	Qty per tractors sold (aa.bbb.ccc.ddd) (aa) for 1,(bbb) 2-10 (ccc) 11-25 (ddd) 26-50	
	T-A	Replacement	

Engine

Bmax Tier 3 (2011-) - RT64 - 90

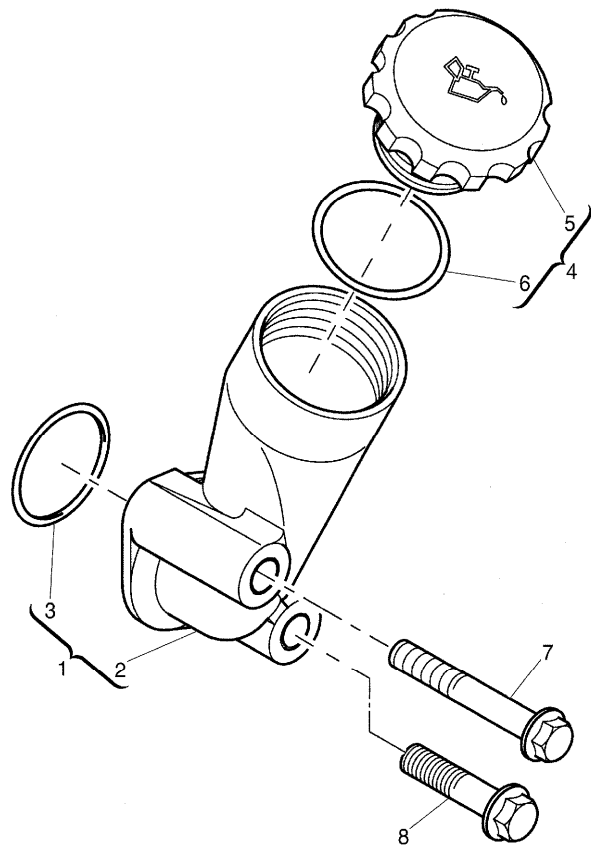
RT64\000020589.png

A-05
14



A0514

Filler



		Inglese	
1	4134C019	● N.L.S.(1) T-A 0:25	1 Filler
2		! 1 ➡ Ref.n.1	1 Body
3	2415B121	! 1 T-A 0:25	1 O ring
4	4142X098	! 1 T-A 0:25	1 Plug
5		! 4 ➡ Ref.n.4	1 Plug
6	2415633	! 4 T-A 0:25	1 O ring
7	2314K161		1 Screw
8	2314H008		1 Screw
!		This is a component of an assembly	
➡		Not serviced, order	
●		Replacement	
T-A		Replacement	



Suggest:

For more complete manuals. Please go to the home page.

<https://www.ebooklibonline.com>

If the above button click is invalid. Please download this document first, and then click the above link to download the complete manual.

Thank you so much for reading

Engine

Bmax Tier 3 (2011-) - RT64 - 90

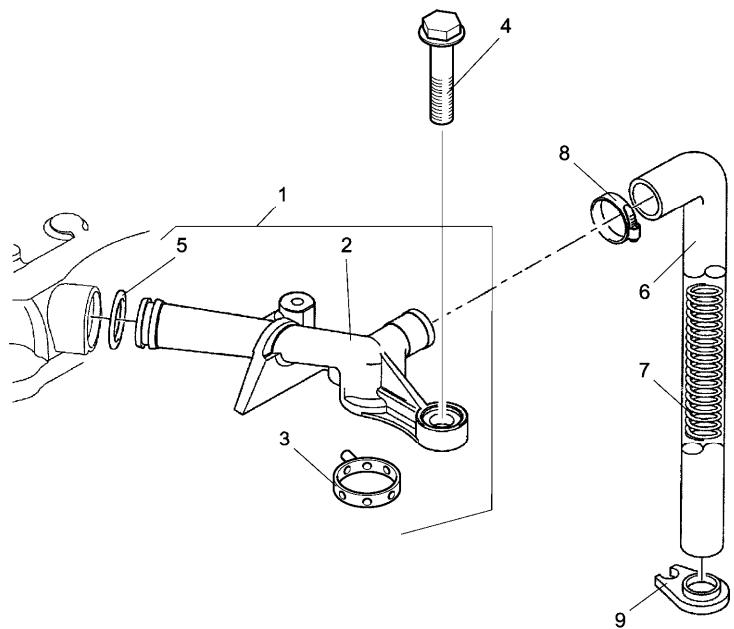
RT64\000014130.png

A-05
15



A0515

Breather



- | | | | | |
|-----|------------------------------------|-----|---------|--|
| 1 | 4134K022 | | | |
| 2 | | ! | 1 | |
| | | ➡ | Ref.n.1 | |
| 3 | 2415H701 | ! | 1 | |
| 4 | 2314F005 | | | |
| 5 | 2415A068 | ! | 1 | |
| | | T-A | 0:50 | |
| 6 | 33872632 | T-A | 0:25 | |
| 7 | 3175P003 | | | |
| 8 | 2481877 | | | |
| 9 | 36241123 | T-A | 0:25 | |
| ! | This is a component of an assembly | | | |
| ➡ | Not serviced, order | | | |
| T-A | Replacement | | | |

Inglese

- | | |
|---|---------|
| 1 | Pipe |
| 1 | Pipe |
| 1 | Ring |
| 2 | Screw |
| 1 | Ring |
| 1 | Pipe |
| 1 | Nut |
| 1 | Clamp |
| 1 | Support |

Engine

Bmax Tier 3 (2011-) - RT64 - 90

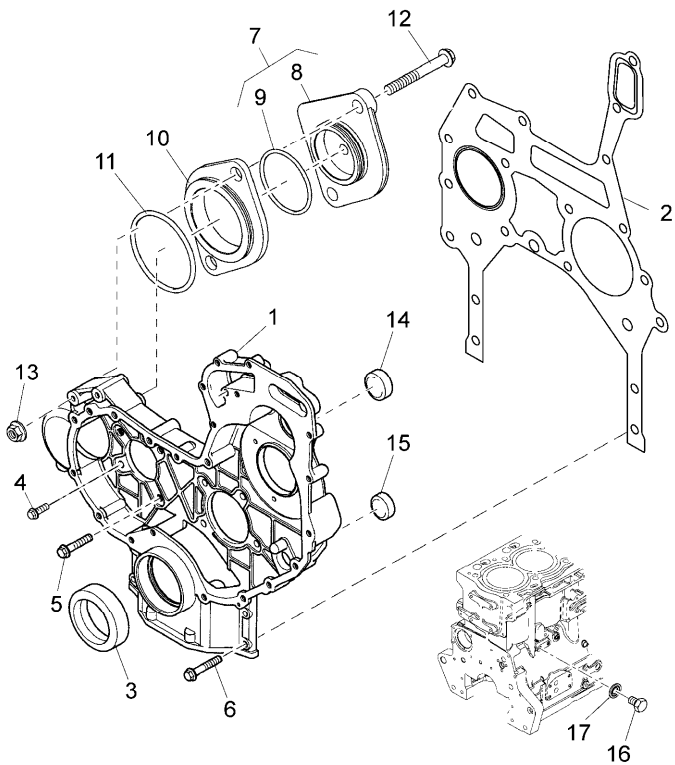
RT64\000015081.png

**A-05
16**



A0516

Gasket sets



		Inglese
1	3716C581	1 Housing
2	3681P053	1 Gasket
3	2418F437	1 Seal
4	2314H003	6 Screw
5	2314H006	2 Screw
6	2314H034	4 Screw
7	4148K012	1 Plate
8	! 7	1 Plate
	➡ Ref.n.7	
9	2415H515	1 Ring
10	3617A021	1 Disc
11	2415H516	1 O ring
12	2314J014	2 Screw
13	2318A604	2 Nut
14	2485A124	1 Plug
15	2485A124	1 Plug
16	2314C049	1 Screw
17	2415D053	1 Washer
!	This is a component of an assembly	
➡	Not serviced, order	
T-A	Replacement	

<https://www.ebooklibonline.com>

Hello dear friend!

Thank you very much for reading.

Enter the link into your browser.

The full manual is available for immediate download.

<https://www.ebooklibonline.com>