

Engine

Bmax Tier 3 (2011-) - RT64 - 80

RT64\000020625.png

A-05
01



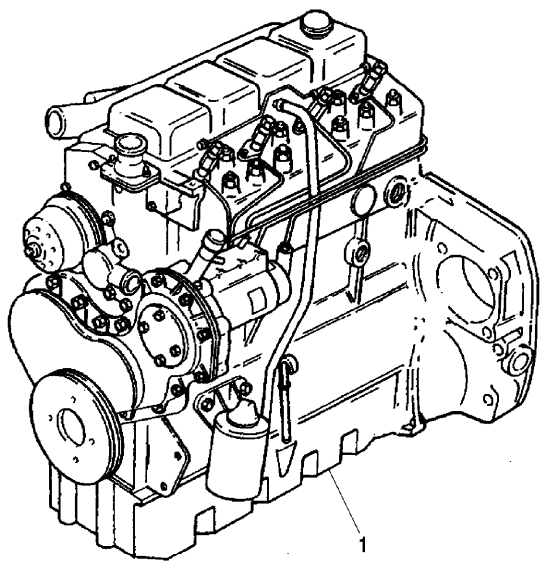
A0501

Engine assembly

Inglese

1 3693232M92

"perkins - nk3885€ 1 Engine
55.5 kw



Engine

Bmax Tier 3 (2011-) - RT64 - 80

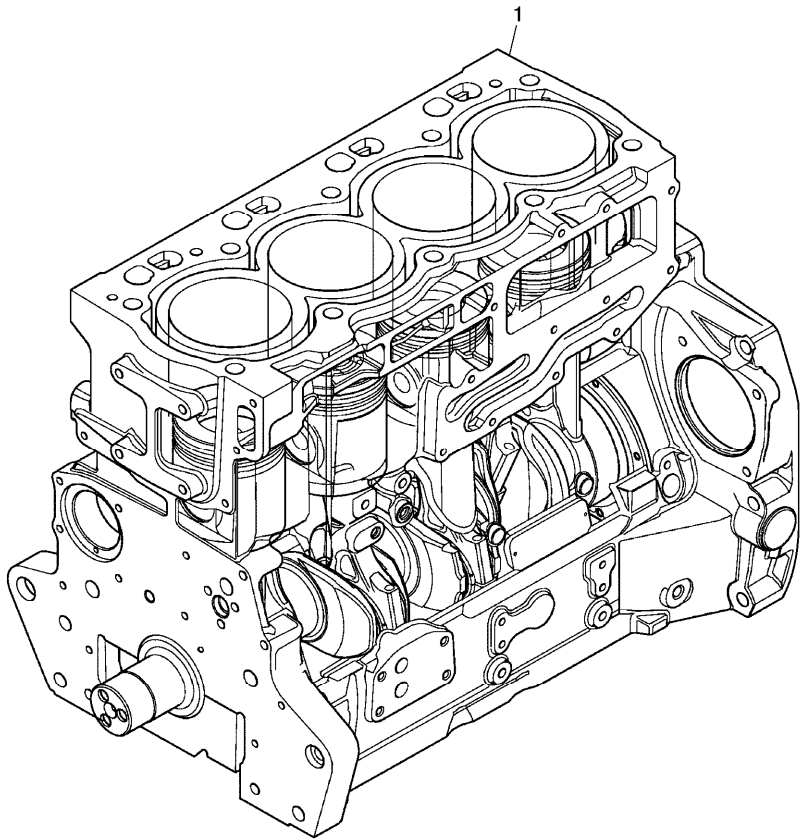
RT64\000015070.png

A-05
02



A0502

Short engine



- Inglese
- | | | | | | |
|---|---------|--|----------------------------------|---|----------------|
| 1 | NK40010 | | U056074 t | 1 | Cylinder block |
| | | | 3115A141(1),
32186146(3), NK4 | | |
| 1 | NK40017 | | U056075 t | 1 | Cylinder block |
- From serial or engine number
 Up to serial or engine number
 Replacement

Engine

Bmax Tier 3 (2011-) - RT64 - 80

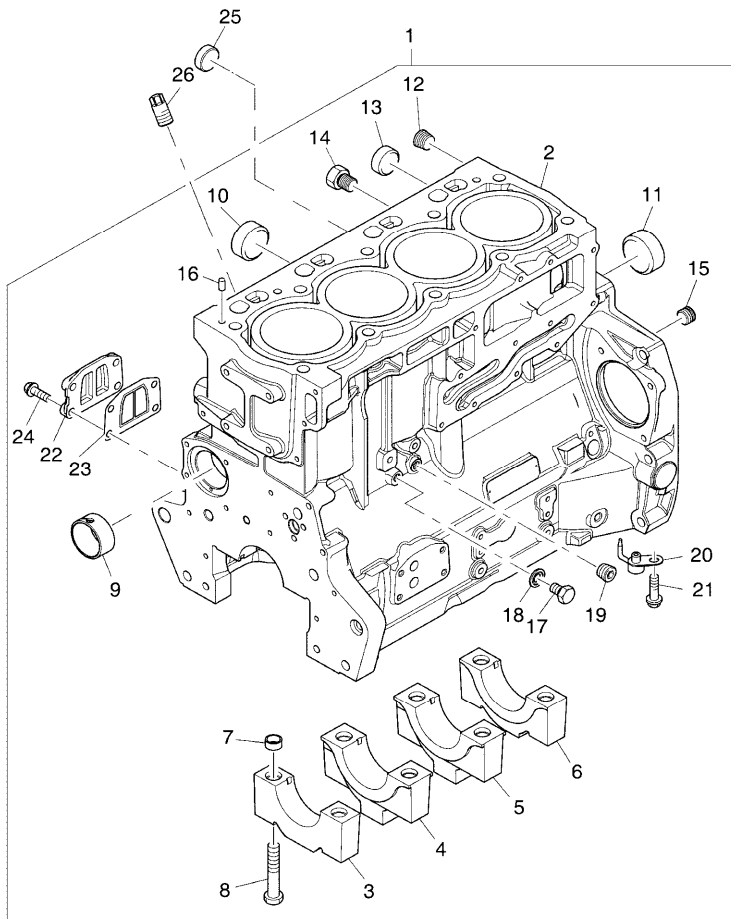
RT64\000015071.png

A-05
03



A0503

Cylinder block



			Inglese
1	👁	A-05 02 1	1 Kit
2	!	1	1 Cylinder block
3	➡	Ref.n.1	1 Bearing
4	!	1	2 Bearing
5	➡	Ref.n.1	1 Bearing
6	!	1	1 Bearing
7	!	33142111	10 Manicott
8	!	32166329	10 Screw
9	!	3112D071	1 Bush
	●	3112D075(1)	
10		3241A011	2 Plug
11		3241A012	1 Plug
12	!	0650588	1 Plug
13	!	0650710	1 Plug
14		32141316	1 Plug
15		3212P008	1 Plug
16		3244A009	2 Dowel
17	!	2314C049	1 Screw
18	!	2415D053	1 Washer
19	!	0650594	1 Plug

<https://www.ebooklibonline.com>

Hello dear friend!

Thank you very much for reading.

Enter the link into your browser.

The full manual is available for immediate download.

<https://www.ebooklibonline.com>

Engine

Bmax Tier 3 (2011-) - RT64 - 80

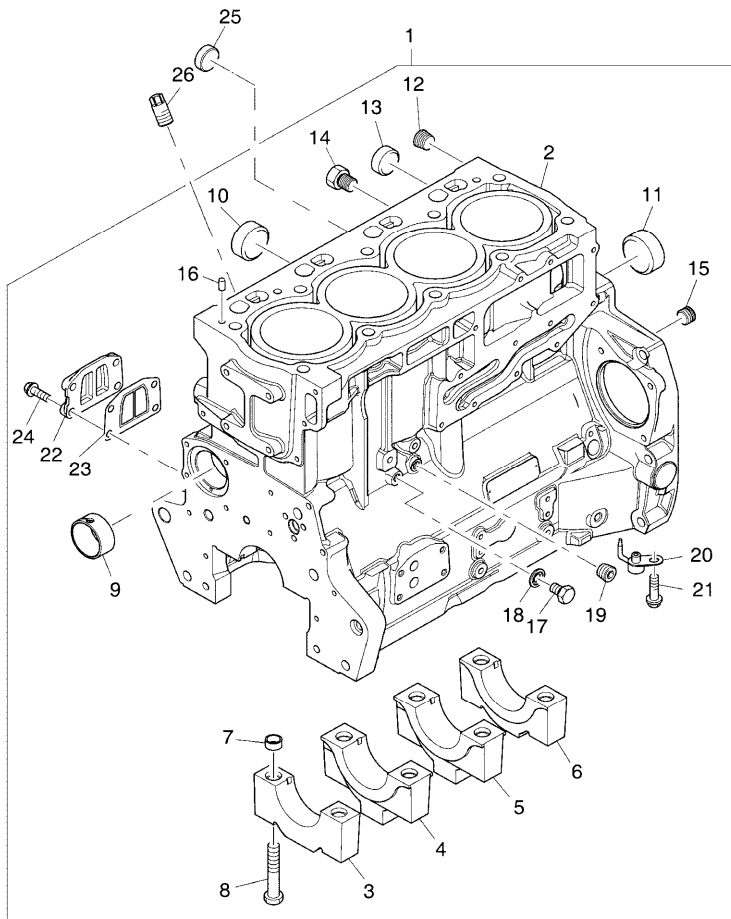
RT64\000015071.png

**A-05
03**



A0503

Cylinder block



Inglese

- | | | | |
|----|----------|---|----------|
| 20 | 2113A003 | 4 | Atomiser |
| 21 | 2314F001 | 4 | Screw |
| 22 | 3753A071 | 1 | Coperch. |
| 23 | 3688A041 | 1 | Ring |
| 24 | 2314H034 | 4 | Screw |
| 25 | 2485A108 | 1 | Plug |
| 26 | 3212V006 | 1 | Plug |

- ! This is a component of an assembly
- 👁 See page - reference number
- 🔧 Not serviced, order
- 🔩 Replacement

Engine

Bmax Tier 3 (2011-) - RT64 - 80

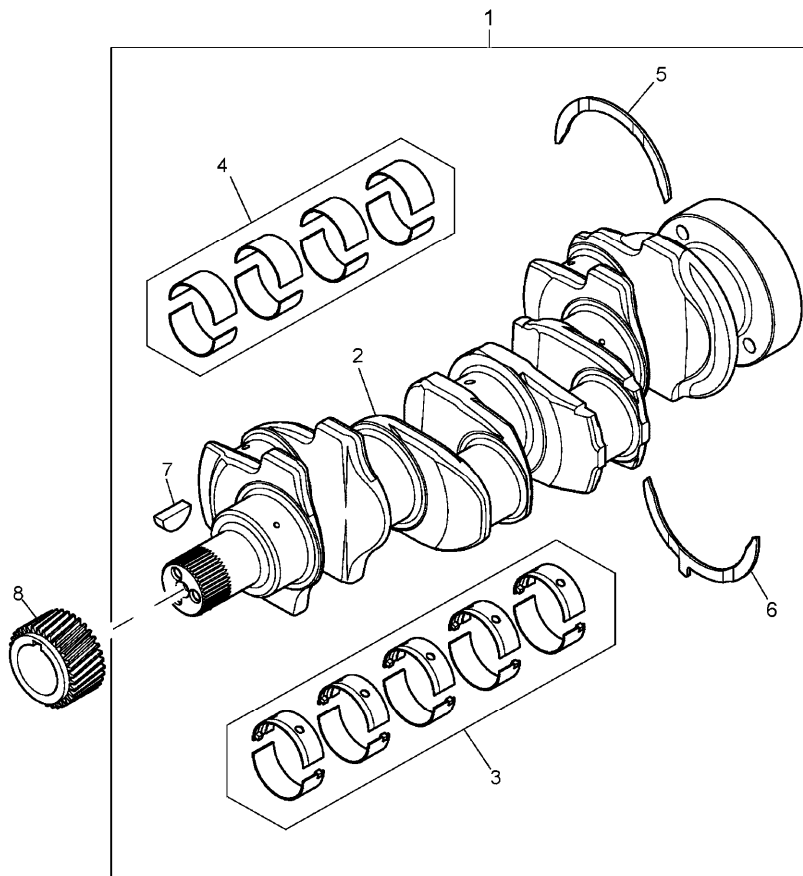
RT64\000015073.png

A-05
04



A0504

Camshaft



		Inglese	
1	ZZ90222	➔ U491476 t	1 Kit
		● ZZ90239(1)	
1	ZZ90237	➔ U491477 t	1 Shaft
2		! 1	1 Shaft
		➔ Ref.n.1	
3	U5MB0018	! 1	1 Kit
		● U5MB0033(1)	
		T-A 15:0	
3	U5MB0018A	! 1	1 Kit
		⚡ 0.010"	
		● U5MB0033A(1)	
		T-A 15:0	
3	U5MB0018B	! 1	1 Kit
		⚡ 0.020"	
		● U5MB0033B(1)	
		T-A 15:0	
3	U5MB0018C	! 1	1 Kit
		⚡ 0.030"	
		● N.L.A.(1)	
		T-A 15:0	
4	T400002	! 1	1 Kit
		➔ U491477 t	
		● T410927(1)	
4	U5ME0026	! 1	1 Kit
		➔ U491476 t	
		● U5ME0034(1)	

Engine

Bmax Tier 3 (2011-) - RT64 - 80

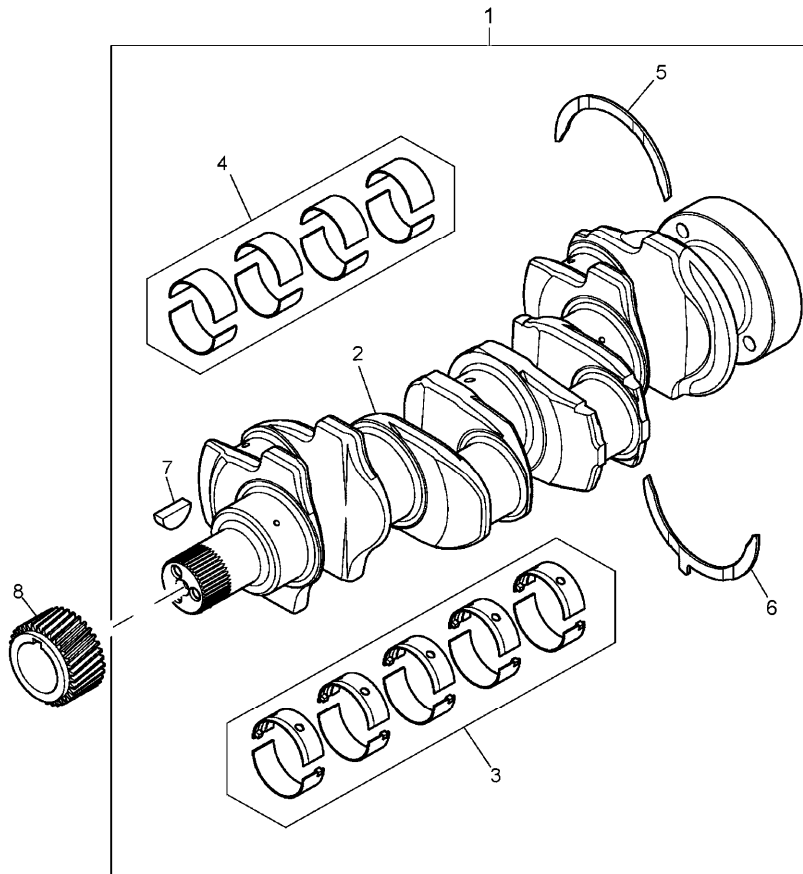
RT64\000015073.png

A-05
04



A0504

Camshaft



		Inglese	
4	U5ME0026A	! 1 X 0.25mm U491476 t U5ME0034A(1)	1 Kit
4	U5ME0026B	! 1 X 0.50mm U491476 t U5ME0034B(1)	1 Kit
4	U5ME0026C	! 1 X 0.75mm U491476 t U5ME0034C(1)	1 Kit
5	31137312	! 1 X 0.007" T-A 15:0	2 Ring
5	31137551	! 1 T-A 15:0	2 Washer
6	31137322	! 1 X 0.007" T-A 15:0	2 Ring
6	31137561	! 1 T-A 15:0	2 Washer
7	0500012	! 1 T-A 10:0	1 Key
8	3117C221	T-A 10:0	1 Gear
! This is a component of an assembly			

Engine

Bmax Tier 3 (2011-) - RT64 - 80

RT64\000015073.png

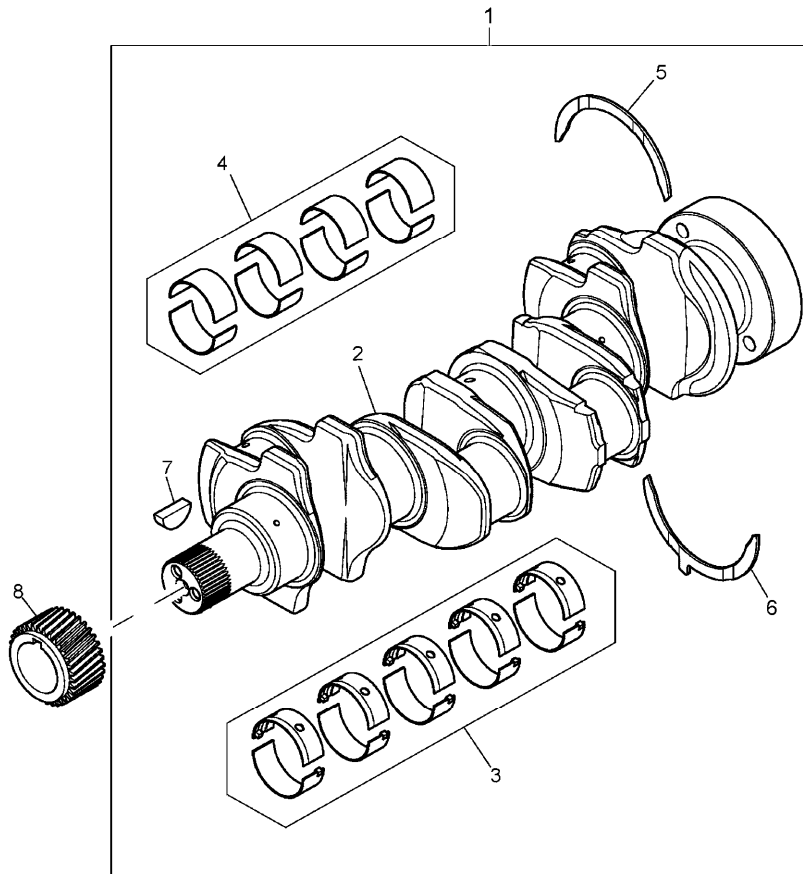
A-05
04



A0504

Camshaft

- From serial or engine number
- Up to serial or engine number
- Not serviced, order
- Shim
- Replacement
- T-A Replacement



Engine

Bmax Tier 3 (2011-) - RT64 - 80

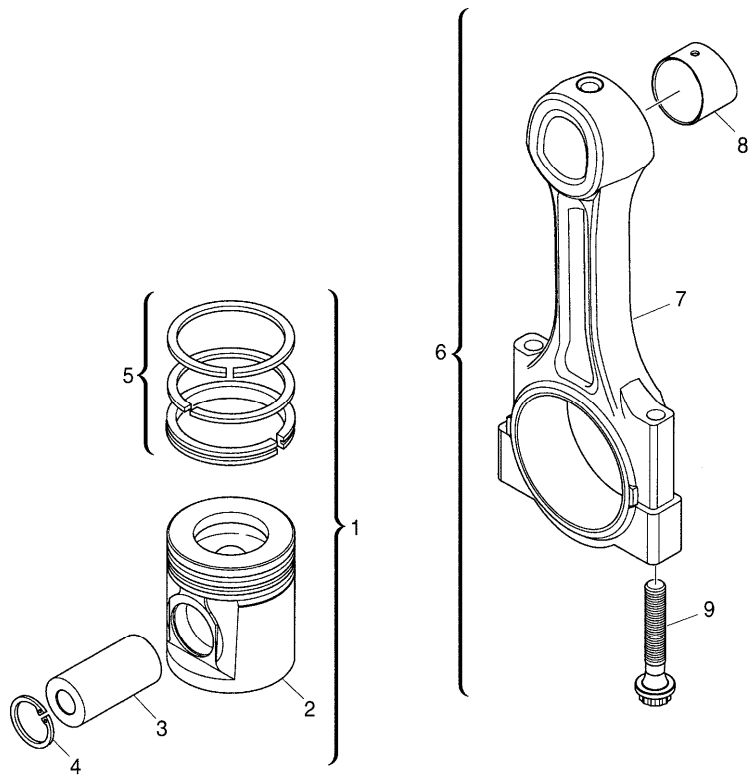
RT64\000020525.png

A-05
05



A0505

Pistons and connecting rods



		Inglese
1	U5PR0063	4 Kit
2	! 1	1 Piston
	➡ Ref.n.1	
3	! 1	1 Pin
	➡ Ref.n.1	
4	2721332 ! 1	2 Ring
5	UPRK0003 ! 1	1 Kit
	(X) 0.2.5.	
	T-A 11:25	
6	4115C311 ➡ U056074 t	4 Kit
	A	
	T-A 14:0	
6	4115C312 ➡ U056074 t	4 Kit
	B	
	T-A 14:0	
6	4115C313 ➡ U056074 t	4 Kit
	C	
	T-A 14:0	
6	4115C314 ➡ U056074 t	4 Kit
	D	
	T-A 14:0	
6	4115C315 ➡ U056074 t	4 Kit
	E	
	T-A 14:0	

Engine

Bmax Tier 3 (2011-) - RT64 - 80

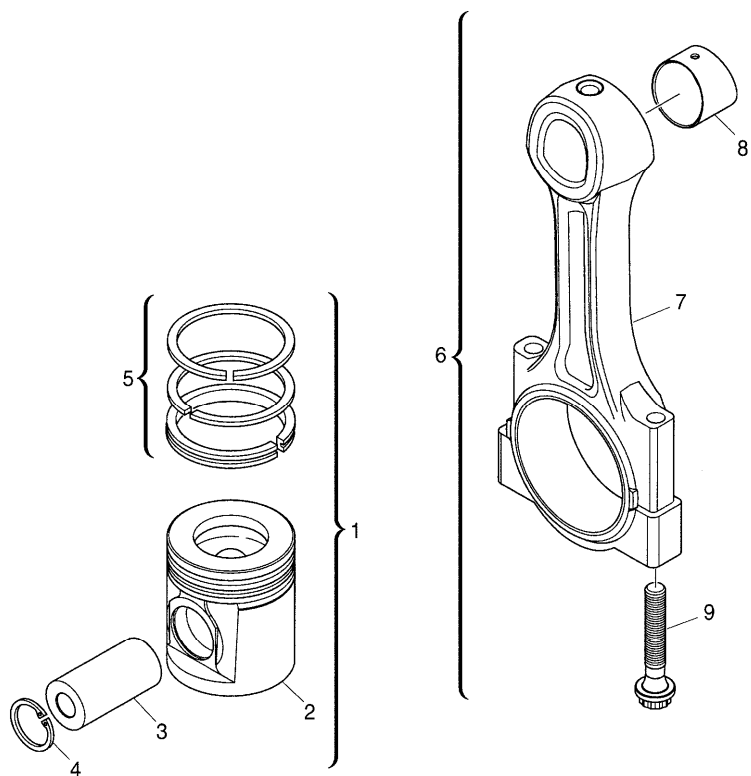
RT64\000020525.png

A-05
05



A0505

Pistons and connecting rods



		Inglese	
6	4115C316	➡ U056074 t F T-A 14:0	4 Kit
6	4115C361	➡ U056075 t A	4 Conrod
6	4115C362	➡ U056075 t B	4 Conrod
6	4115C363	➡ U056075 t C	4 Conrod
6	4115C364	➡ U056075 t D	4 Conrod
6	4115C365	➡ U056075 t E	4 Conrod
6	4115C366	➡ U056075 t F	4 Conrod
7		! 6 ➡ Ref.n.6	1 Conrod
8	3112A005	! 6 T-A 14:0	1 Bush
9	3212V003	! 6	2 Screw
9	T400001	! 6 ➡ U056074 t ➡ U056075 t	2 Screw

- ! This is a component of an assembly
- ➡ From serial or engine number
- ➡ Up to serial or engine number
- ➡ Not serviced, order

Engine

Bmax Tier 3 (2011-) - RT64 - 80

RT64\000020525.png

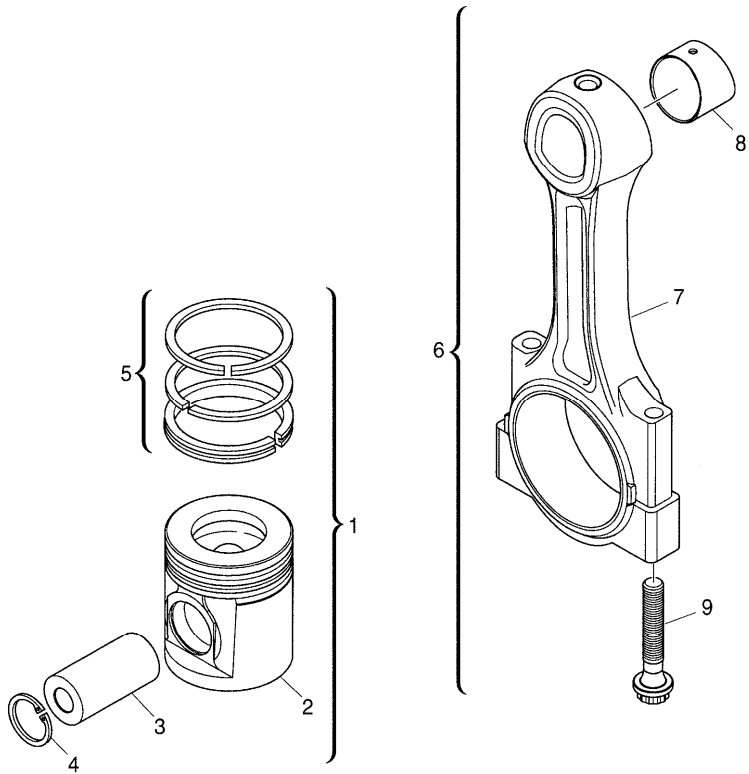
A-05
05



A0505

Pistons and connecting rods

- (X) Qty per tractors sold (aa.bbb.ccc.ddd) (aa) for 1,(bbb) 2-10 (ccc) 11-25 (ddd) 26-50
- T-A Replacement
- A Red
- B Orange
- C White
- D Green
- E Purple
- F Blue



Engine

Bmax Tier 3 (2011-) - RT64 - 80

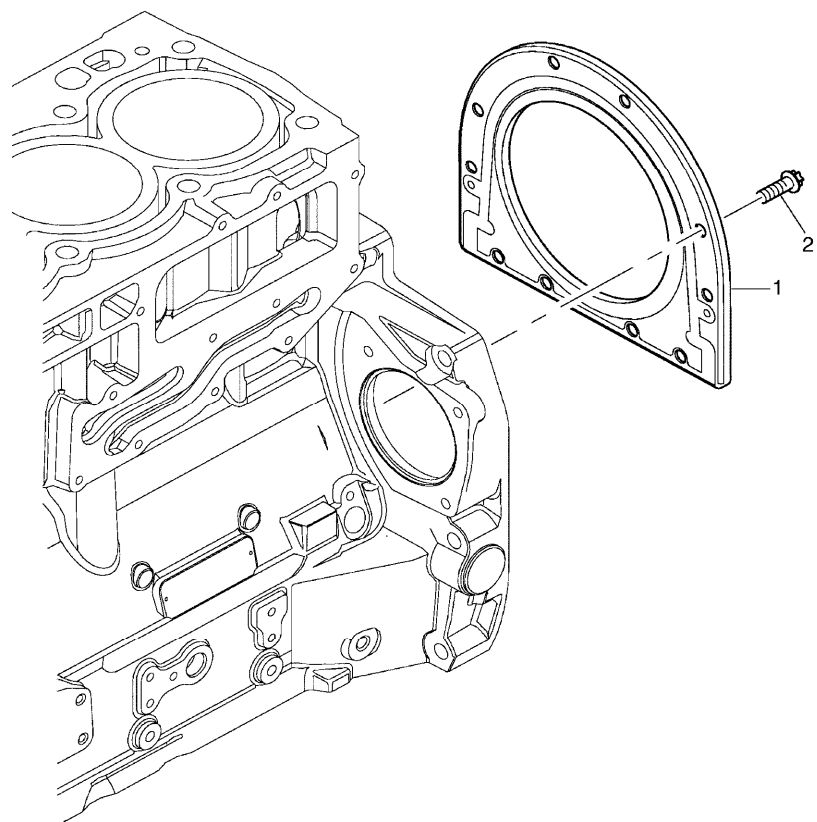
RT64\000015074.png

A-05
06



A0506

End cover



1 2418F704 T-A 9:0

2 3211C002

T-A Replacement

Inglese

1 Housing

6 Screw

Engine

Bmax Tier 3 (2011-) - RT64 - 80

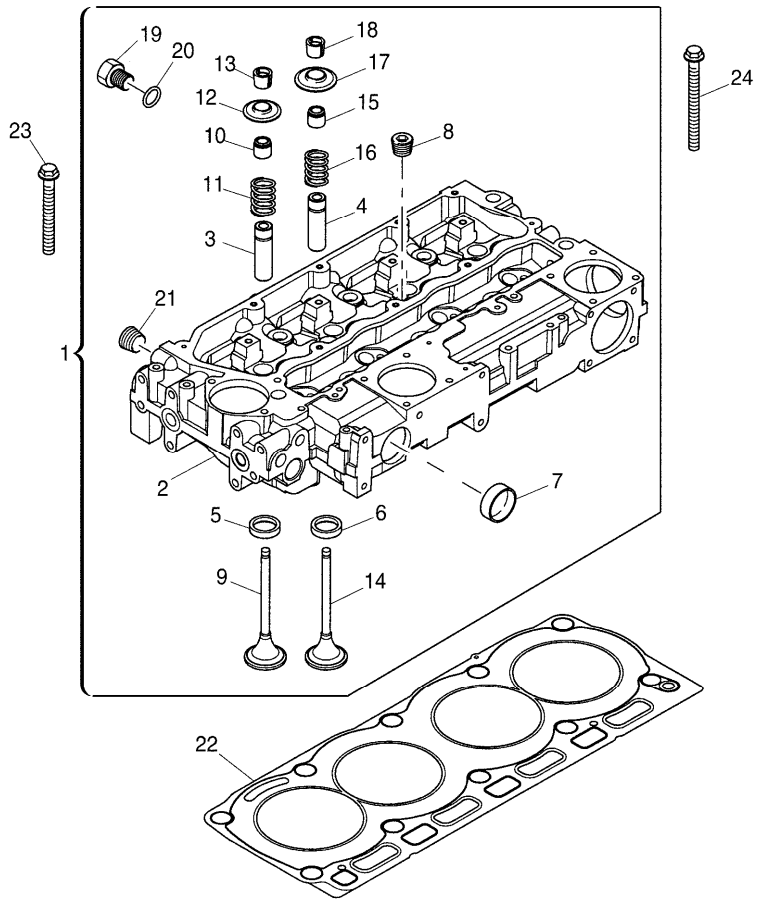
RT64\000020527.png

**A-05
07**



A0507

Cylinder head



		Inglese
1		1 Cylinder head
2	! 1	1 Head
3	➡ Ref.n.1 ! 1	4 Guide
	● 3313A012(4) T-A 7:50	
4	! 1	4 Guide
	● 3313A012(4) T-A 7:50	
5	! 1	4 Insert
6	! 1	4 Insert
7	! 1	2 Plug
8	! 1	4 Plug
9	! 1	4 Valve
10	! 1	4 Ring
	A	
11	! 1	4 Spring
	● T417479(4)	
12	! 1	4 Coperch.
13	! 1	8 Collar
14	! 1	4 Valve
15	! 1	4 Ring
	B	
16	! 1	4 Spring
	● T417479(4)	

Engine

Bmax Tier 3 (2011-) - RT64 - 80

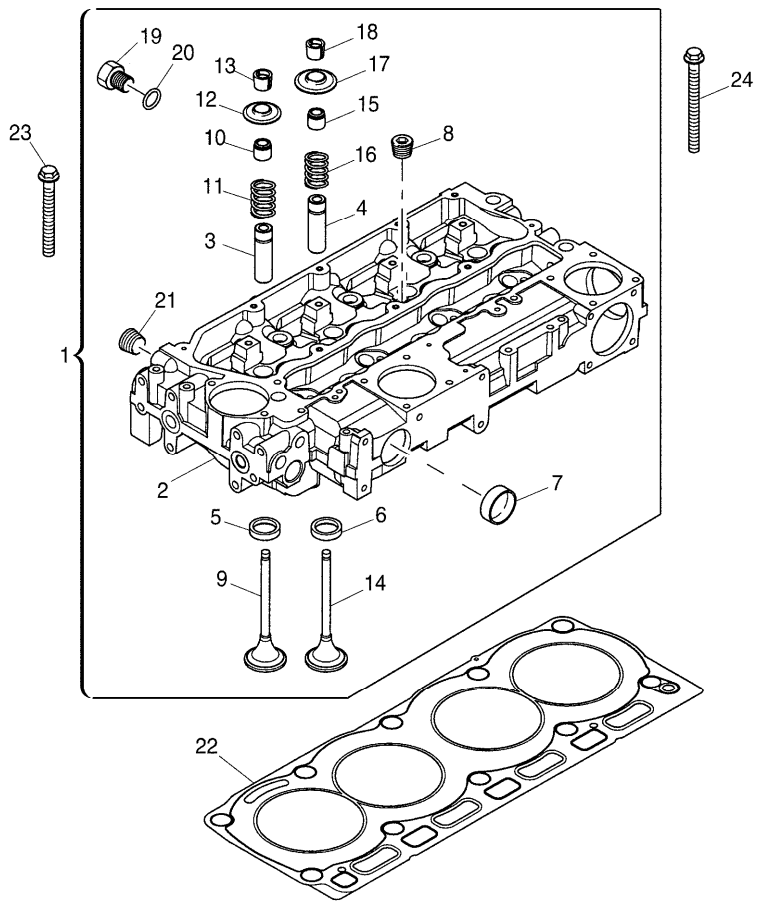
RT64\000020527.png

**A-05
07**



A0507

Cylinder head



- 17 3342A021 ! 1
- 18 2714A002 ! 1
- 19 3278A006 ! 1
- 20 2415H003 ! 1
- 21 2431154 ! 1
- 22 3681E051
- 23 3218A011
- 24 3218A012

- ! This is a component of an assembly
- ▣ Not serviced, order
- Replacement
- T-A Replacement
- A Green
- B Brown

Inglese

- 4 Coperch.
- 8 Collar
- 1 Plug
- 1 Ring
- 2 Plug
- 1 Gasket
- 7 Screw
- 3 Screw

Engine

Bmax Tier 3 (2011-) - RT64 - 80

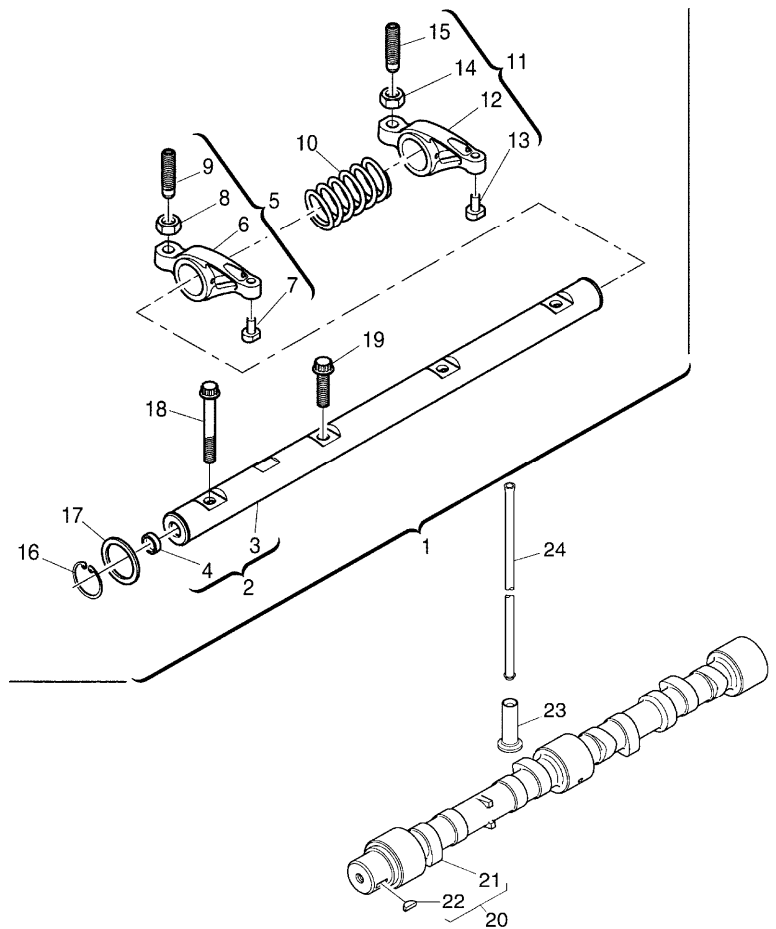
RT64\000015075.png

A-05
08



A0508

Rocker shaft



		Inglese	
1	4115R613		1 Axle
2	4115R703	! 1	1 Shaft
		T-A 4:0	
3		! 2	1 Shaft
		➡ Ref.n.2	
4	2485A104	! 2	2 Plug
5	4115R319	! 1	4 Lever
6		! 5	1 Rocker
		➡ Ref.n.5	
7		! 5	1 Pad
		➡ Ref.n.5	
8	3331A006	! 5	1 Nut
9	3211C004	! 5	1 Screw
10	3174A015	! 1	3 Spring
		T-A 4:0	
11	4115R318	! 1	4 Lever
12		! 11	1 Rocker
		➡ Ref.n.11	
13		! 11	1 Pad
		➡ Ref.n.11	
14	0576052	! 11	1 Nut
14	3331A006	! 11	1 Nut
15	32114145	! 11	1 Screw
		T-A 1:25	
15	3211C004	! 11	1 Screw

Engine

Bmax Tier 3 (2011-) - RT64 - 80

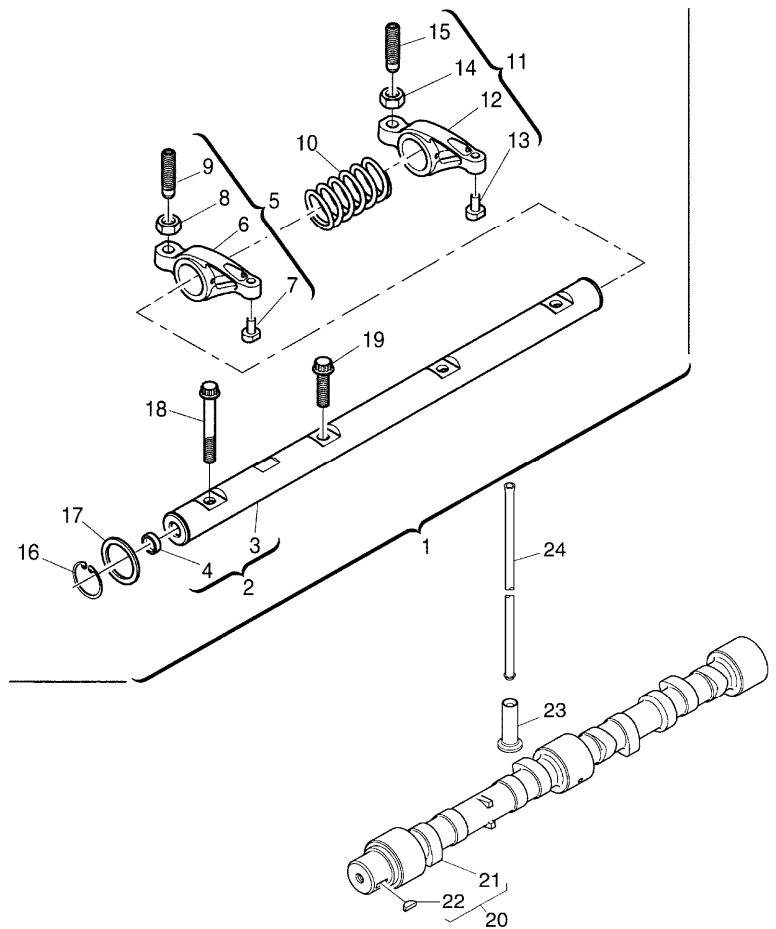
RT64\000015075.png

A-05
08



A0508

Rocker shaft



16 2722A022 ! 1

17 2134A502 ! 1

18 2316A901 ! 1

19 2316A902 ! 1

20 4112K031

21 ! 20

➡ Ref.n.20

22 0500012 ! 20

23 3142U061

24 3142V011

! This is a component of an assembly

➡ Not serviced, order

T-A Replacement

Inglese

2 Ring

2 Washer

1 Screw

3 Screw

1 Shaft

1 Shaft

1 Key

8 Tappet

8 Rod

Engine

Bmax Tier 3 (2011-) - RT64 - 80

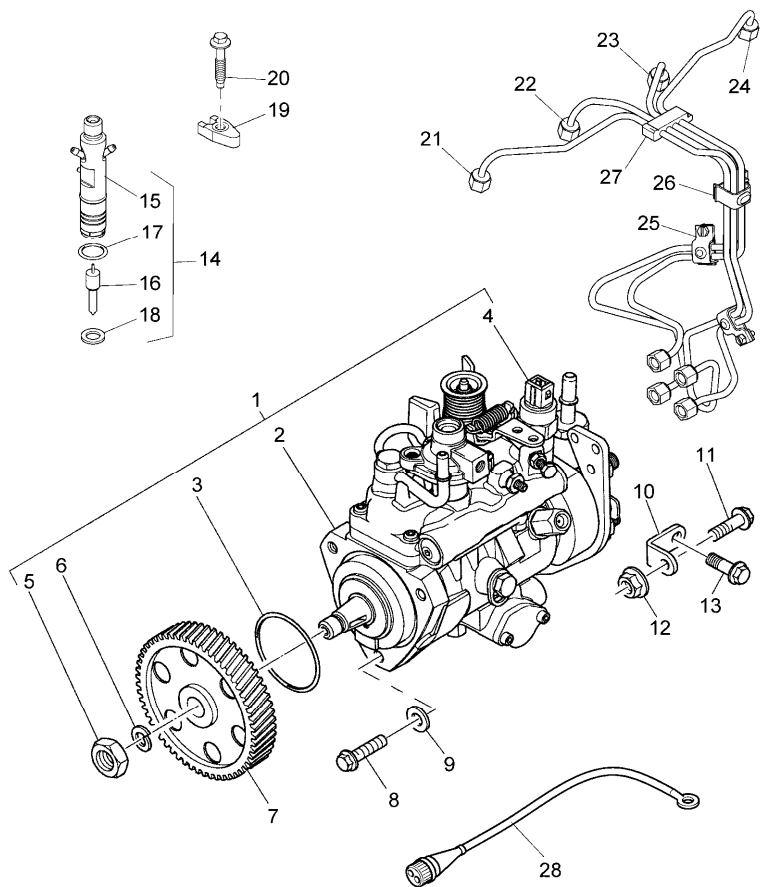
**A-05
09**



A0509

Fuel injection equipment (diesel)

RT64\000015076.png



1 2644C319/22

2 ! 1

➡ Ref.n.1

3 26420318 ! 1

4 26420469 ! 1

5 2318A108 ! 1

6 K134AF01 ! 1

7 3117L261

8 2314H004

9 2411D008

10 3641A007

11 2314H003

12 2318A603

13 2314J002

14 2645K027

15 ! 14

➡ Ref.n.14

16 ! 14

➡ Ref.n.14

17 26460064 ! 14

18 L311FF02 ! 14

19 3751A241

20 2314W009

21 3525A101

22 3525A102

Inglese

1 Pump

1 Pump

1 Ring

1 Solenoid

1 Nut

1 Washer

1 Gear

3 Screw

6 Washer

1 Stirrup

1 Screw

1 Nut

1 Screw

1 Nozzle

1 Support

1 Nozzle

1 Ring

1 Washer

4 Clamp

4 Screw

1 Pipe

1 Pipe

Engine

Bmax Tier 3 (2011-) - RT64 - 80

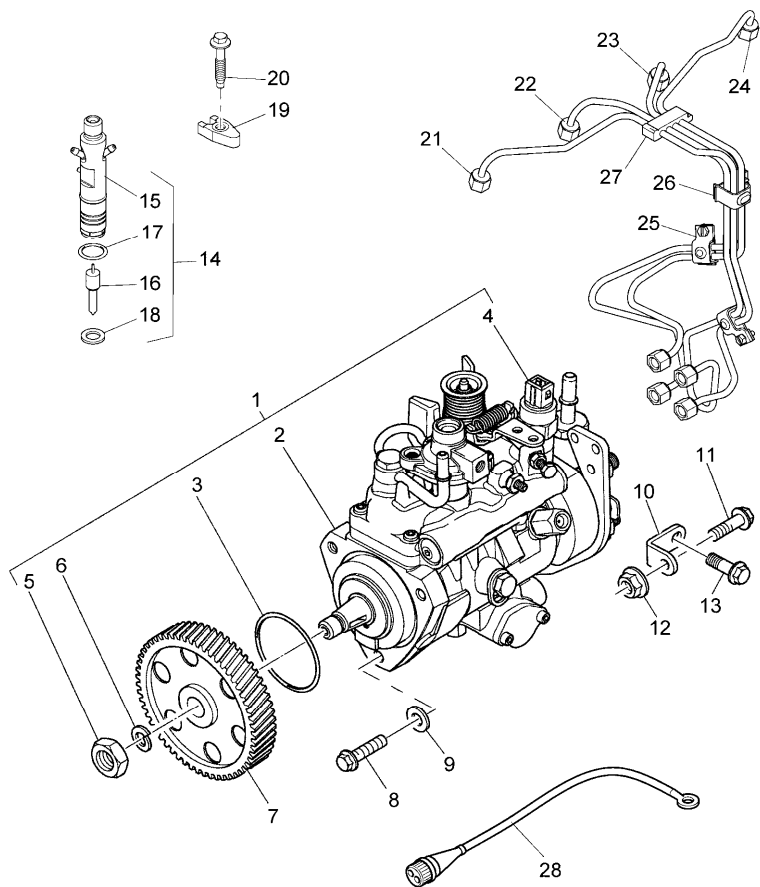
RT64\000015076.png

A-05
09



A0509

Fuel injection equipment (diesel)



- | | | | |
|----|------------------------------------|---------|-----------|
| 23 | 3525A103 | | Inglese |
| 24 | 3525A104 | | 1 Pipe |
| 25 | 2481Y011 | | 1 Pipe |
| 26 | 2481Y012 | | 2 Clip |
| 27 | 2646E019 | | 1 Clip |
| 28 | 3673286M91 | "bosch" | 1 Harness |
| ! | This is a component of an assembly | | |
| 🛠 | Not serviced, order | | |

Engine

Bmax Tier 3 (2011-) - RT64 - 80

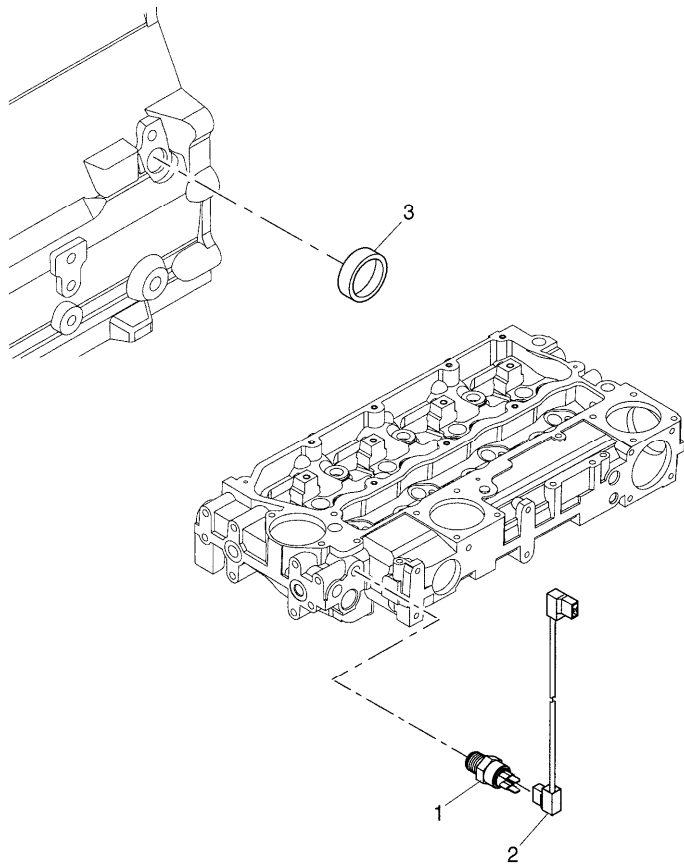
RT64\000020530.png

A-05
10



A0510

Sensor pickup



1 2848A127 T-A 0:50

2 3161C017

3 2485A109

T-A Replacement

Inglese

1 Sensor

1 Cable

1 Plug

Engine

Bmax Tier 3 (2011-) - RT64 - 80

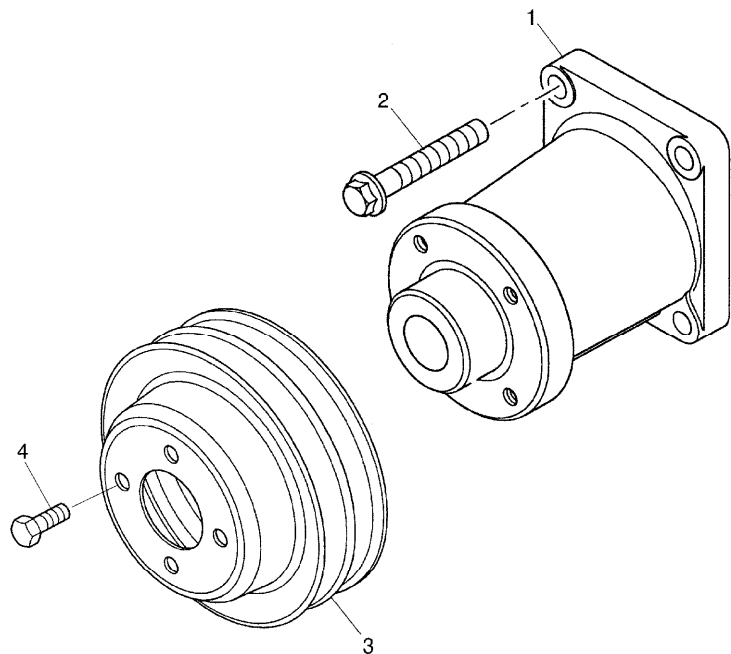
RT64\000015079.png

**A-05
11**



A0511

Fan-type pulley



- 1 4113K005 T-A 1:75
 - 2 2314J005
 - 3 3115C113
 - 4 2314C044
- T-A Replacement

Inglese

- 1 Housing
- 4 Screw
- 1 Pulley
- 4 Screw

Engine

Bmax Tier 3 (2011-) - RT64 - 80

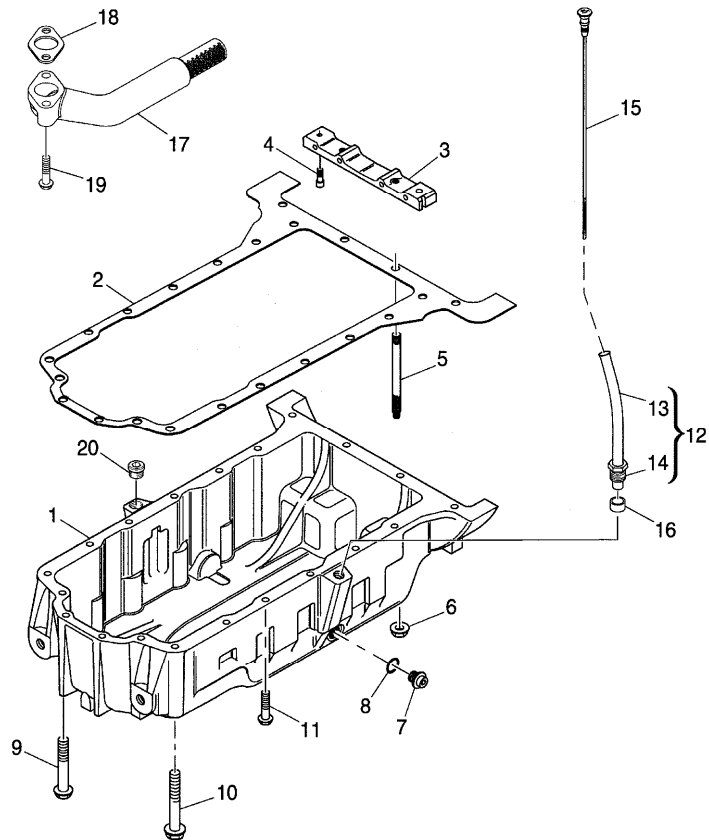
RT64\000014129.png

**A-05
12**



A0512

Lubricating oil sump



1	3717E271			
2	3681K036	(X)	1.2.5.	
		T-A	1:50	
3	3627P041	T-A	1:50	
4	2311D039			
5	3211P013			
6	2318A603			
7	32186405	T-A	0:25	
8	2415715	T-A	0:25	
9	2314H023			
10	2314H022	●	2314H052(1)	
11	2314H015			
12	3577A125	T-A	0:25	
13		!	12	
		▶	Ref.n.12	
14	3353D005	!	12	
15	3178C081	T-A	0:25	
16	33812116			
17	3765A091	T-A	1:75	
18	36832137	T-A	1:75	
19	2314H006			
20	2431A016			

Inglese

1	Crankcase
1	Gasket
1	Crosspiece
2	Screw
2	Stud
2	Nut
2	Plug
2	Ring
5	Screw
1	Screw
12	Screw
1	Pipe
1	Pipe
1	Nut
1	Rod
1	Olive
1	Pipe
1	Gasket
2	Screw
1	Plug

- ! This is a component of an assembly
- ▶ Not serviced, order
- Replacement

Engine

Bmax Tier 3 (2011-) - RT64 - 80

RT64\000014129.png

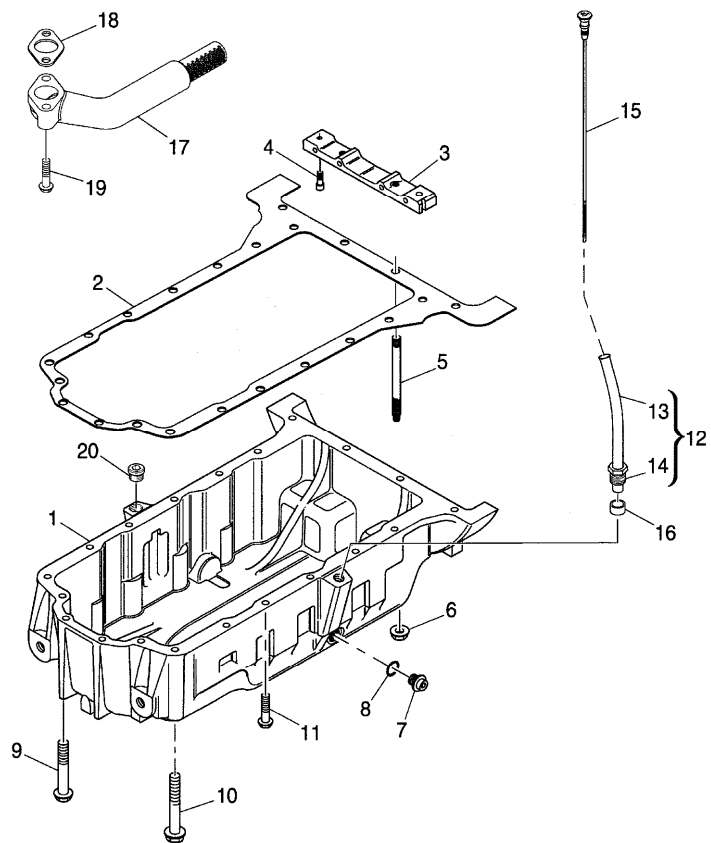
A-05
12



A0512

Lubricating oil sump

(X) Qty per tractors sold (aa.bbb.ccc.ddd) (aa) for 1,(bbb) 2-10 (ccc) 11-25 (ddd) 26-50
T-A Replacement



Engine

Bmax Tier 3 (2011-) - RT64 - 80

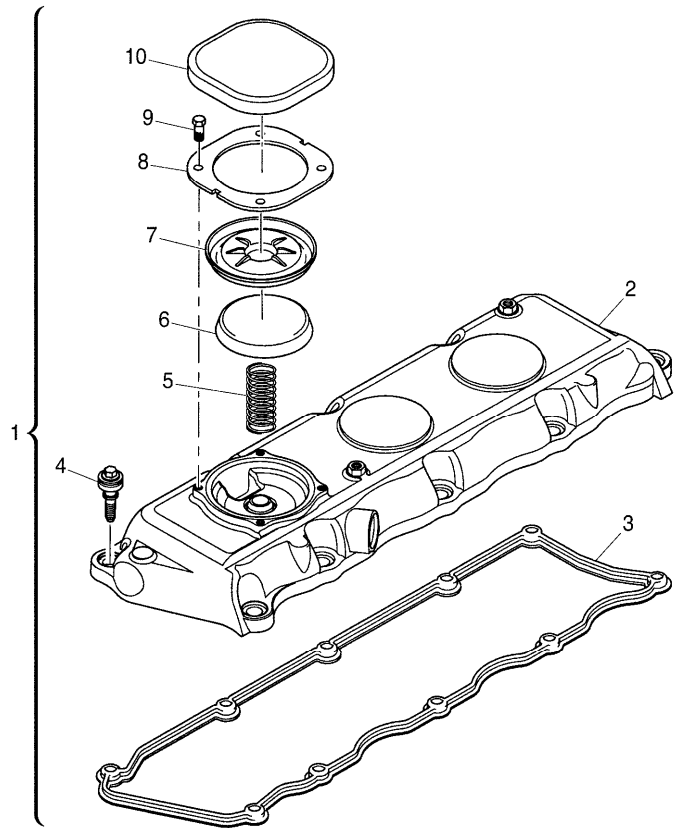
RT64\000020533.png

A-05
13



A0513

Cylinder head cover



		Inglese	
1	4142X325	● T417478(1)	1 Coperch.
2		! 1	1 Cover
3	3681A055	▣ Ref.n.1	1 Gasket
		(X) 1.2.5.	
		T-A 1:0	
4		! 1	10 Screw
		▣ Ref. n.1	
5	3174A017	! 1	1 Spring
		T-A 0:25	
6	3788A002	! 1	1 Cap
		T-A 0:25	
7	3789A001	! 1	1 Diaphragm
		T-A 0:25	
8	3615A009	! 1	1 Plate
		T-A 0:25	
9	2151A001	! 1	4 Screw
10	3788A003	! 1	1 Cap
		T-A 0:25	
	!	This is a component of an assembly	
	▣	Not serviced, order	
	●	Replacement	
	(X)	Qty per tractors sold (aa.bbb.ccc.ddd) (aa) for 1,(bbb) 2-10 (ccc) 11-25 (ddd) 26-50	
	T-A	Replacement	

Engine

Bmax Tier 3 (2011-) - RT64 - 80

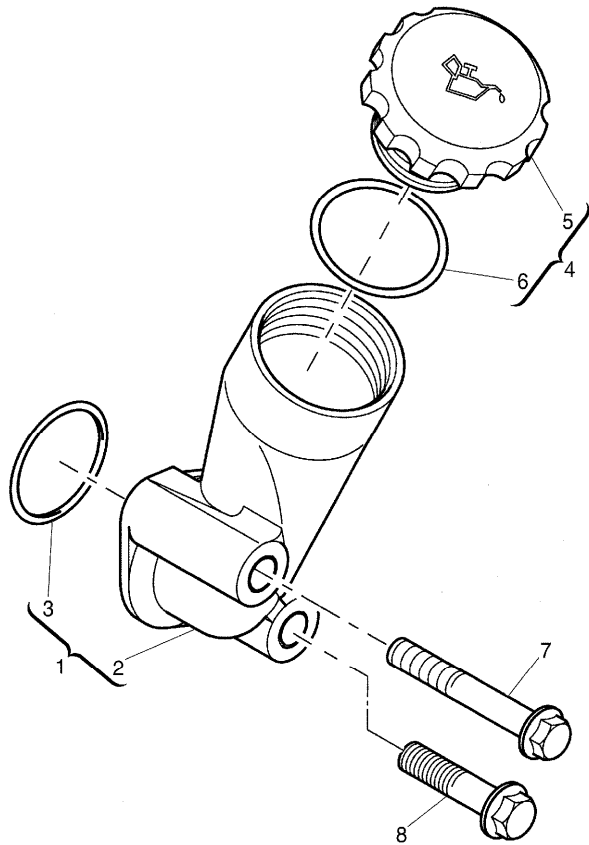
RT64\000020589.png

A-05
14



A0514

Filler



			Inglese
1	4134C019	● N.L.S.(1) T-A 0:25	1 Filler
2		! 1 ➡ Ref.n.1	1 Body
3	2415B121	! 1 T-A 0:25	1 O ring
4	4142X098	! 1 (X) 1.3.5.1 T-A 0:25	1 Plug
5		! 4 ➡ Ref.n.4	1 Plug
6	2415633	! 4 T-A 0:25	1 O ring
7	2314K161		1 Screw
8	2314H008		1 Screw
! This is a component of an assembly			
➡ Not serviced, order			
● Replacement			
(X) Qty per tractors sold (aa.bbb.ccc.ddd) (aa) for 1,(bbb) 2-10 (ccc) 11-25 (ddd) 26-50			
T-A Replacement			

Engine

Bmax Tier 3 (2011-) - RT64 - 80

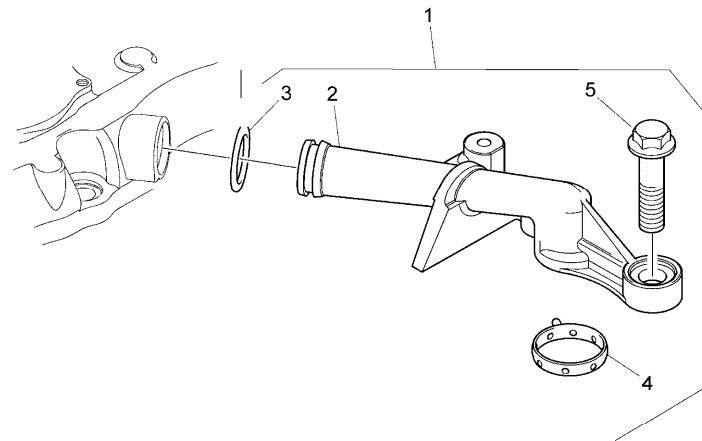
RT64\000015080.png

**A-05
15**



A0515

Breather



1 4134K021

2 ! 1

➡ Ref.n.1

3 2415A068 ! 1

4 2415H701 ! 1

5 2314F005

! This is a component of an assembly

➡ Not serviced, order

Inglese

1 Pipe

1 Pipe

1 Ring

1 Ring

2 Screw



Suggest:

For more complete manuals. Please go to the home page.

<https://www.ebooklibonline.com>

If the above button click is invalid. Please download this document first, and then click the above link to download the complete manual.

Thank you so much for reading

Engine

Bmax Tier 3 (2011-) - RT64 - 80

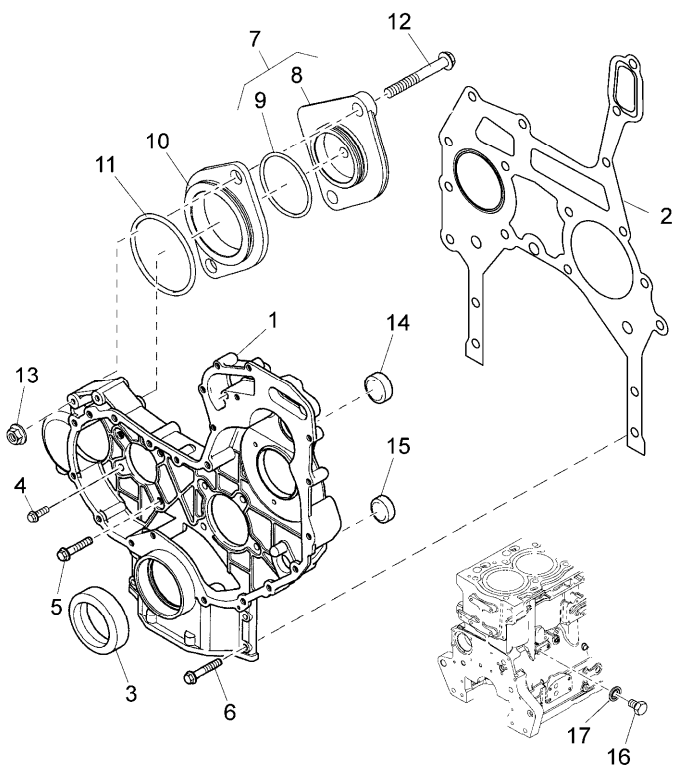
**A-05
16**



A0516

Gasket sets

RT64\000015081.png



		Inglese
1	3716C581	1 Housing
2	3681P053	1 Gasket
3	2418F437	1 Seal
4	2314H003	6 Screw
5	2314H006	2 Screw
6	2314H034	4 Screw
7	4148K012	1 Plate
8	!	7
	➡	Ref.n.7
9	2415H515	1 Ring
10	3617A021	1 Disc
11	2415H516	1 O ring
12	2314J014	2 Screw
13	2318A604	2 Nut
14	2485A124	1 Plug
15	2485A124	1 Plug
16	2314C049	1 Screw
17	2415D053	1 Washer

! This is a component of an assembly
 ➡ Not serviced, order
 T-A Replacement

Engine

Bmax Tier 3 (2011-) - RT64 - 80

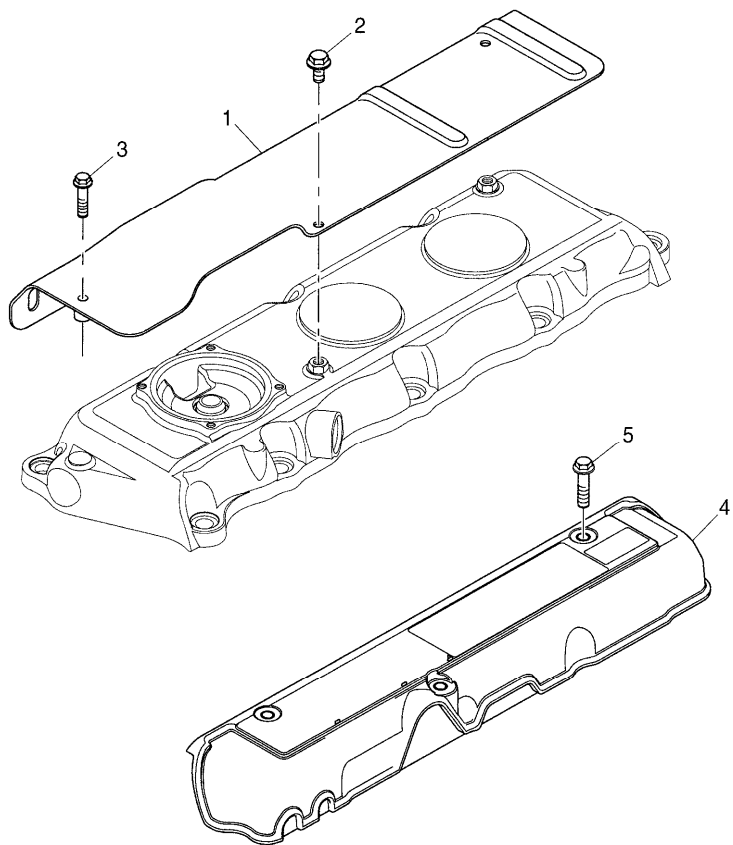
RT64\000020537.png

A-05
17



A0517

Cylinder head cover



- 1 3812A026 T-A 0:25
 - 2 2314F001
 - 3 2314F006
 - 4 3788N003
 - 5 2314F003
- T-A Replacement

Inglese

- 1 Heatshield
- 2 Screw
- 1 Screw
- 1 Cover
- 3 Screw

<https://www.ebooklibonline.com>

Hello dear friend!

Thank you very much for reading.

Enter the link into your browser.

The full manual is available for immediate download.

<https://www.ebooklibonline.com>