

Engine

9-7 Series (2014-) - RS37 - 7070 - 7080 ISM

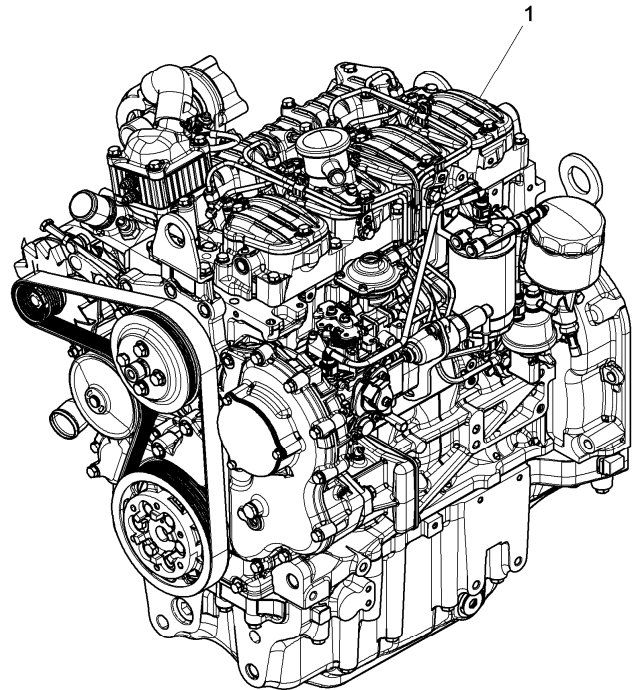
RS37\00045923.png

A-05
01



A0501

Engine assembly



| | | | Inglese |
|---|----------------|-------------|----------|
| 1 | 6513477M91 | "fpt" 55 kw | 1 Engine |
| | | B | |
| 1 | 6513478M91 | "fpt" 48 kw | 1 Engine |
| | | A | |
| A | For model 7070 | | |
| B | For model 7080 | | |

Engine

9-7 Series (2014-) - RS37 - 7070 - 7080 ISM

RS37\00046519.png

A-05
015



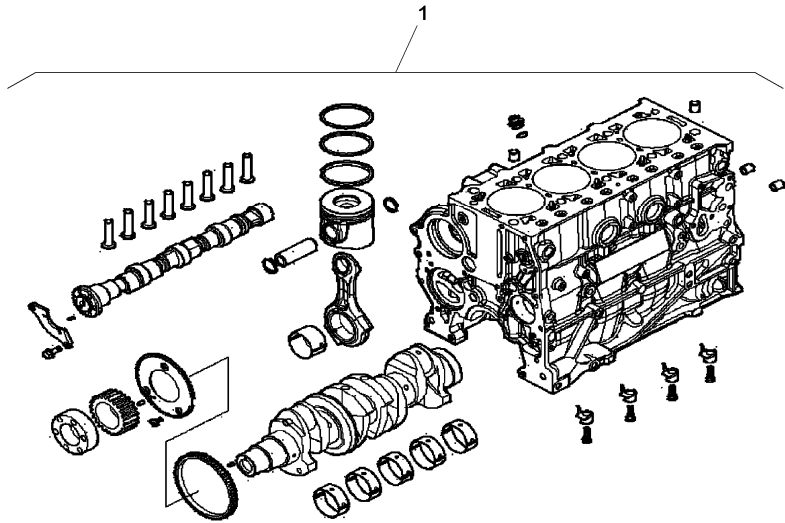
A05015

Short engine

1 6532330M91

Inglese

1 Short engine



Engine

A-05
02

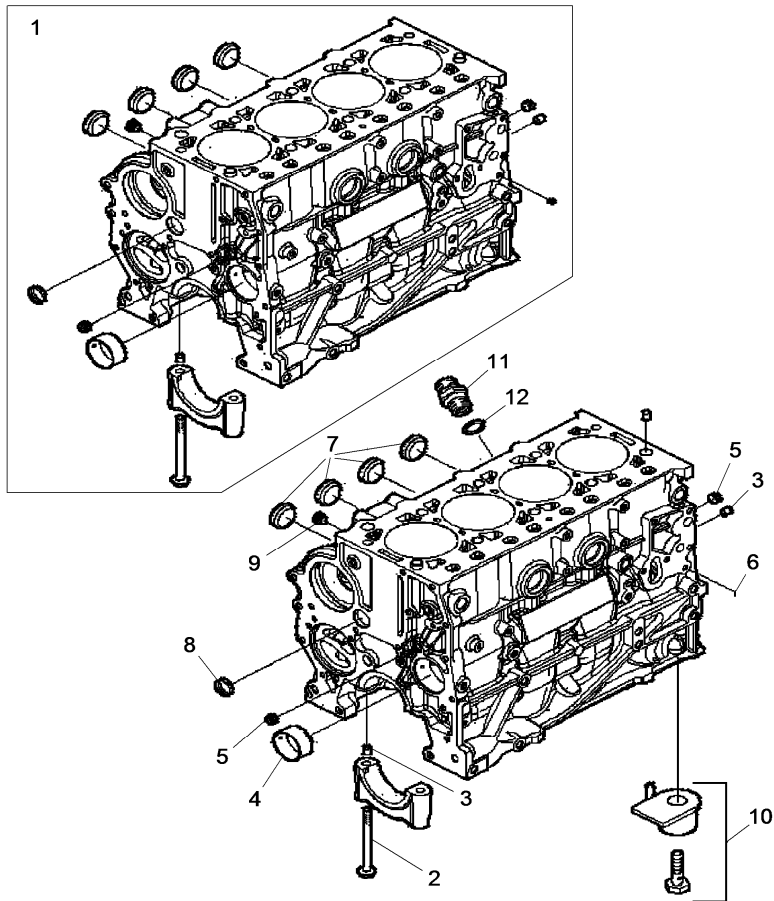
Crankcase

9-7 Series (2014-) - RS37 - 7070 - 7080 ISM



A0502

RS37\00046520.png



Inglese

- | | | | | |
|----|------------|----|----|----------------|
| 1 | 6532333M91 | | 1 | Block |
| 2 | 3688673M1 | ◄► | 10 | Screw |
| | | ● | | 704696A1(10) |
| 3 | 6532334M1 | | 14 | Dowel |
| 4 | 3688759M1 | | 1 | Bearing |
| 5 | 6532335M1 | ∅ | 3 | Plug 3/8" |
| 6 | 6532336M1 | ∅ | 4 | Plug 1/8" |
| 7 | 6532337M1 | ∅ | 6 | Plug 40 mm |
| 8 | 6532338M1 | ∅ | 1 | Plug 30 mm |
| 9 | 6532339M1 | | 1 | Plug M14x1,5 |
| 10 | 6532340M1 | | 4 | Splasher |
| 11 | 6532341M1 | | 1 | Filler M14x1,5 |
| 12 | 6532342M1 | ∅ | 1 | Ring 13-19 |

- ◄► Length
- ∅ Diameter
- Replacement

<https://www.ebooklibonline.com>

Hello dear friend!

Thank you very much for reading.

Enter the link into your browser.

The full manual is available for immediate download.

<https://www.ebooklibonline.com>

Engine

9-7 Series (2014-) - RS37 - 7070 - 7080 ISM

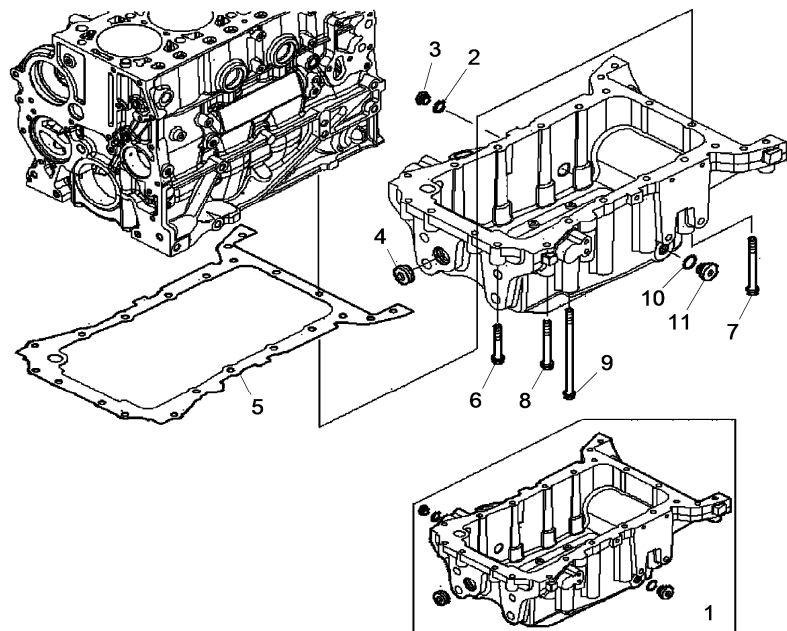
RS37\00046529.png

A-05
03



A0503

Oil sump



| | | Inglese |
|----|----------------------------|----------|
| 1 | 6532343M91 | 1 Pan |
| 2 | 6532344M1 16x24x1,5 | 1 Ring |
| 3 | 6532346M1 M16x1,5 | 1 Plug |
| 4 | 6532345M1 M35x1,5 | 1 Plug |
| 5 | 6532347M1 | 1 Gasket |
| 6 | 6532348M1 ◀▶ M10x55 | 8 Screw |
| 7 | 3688943M1 ◀▶ M10x110 | 2 Screw |
| 8 | 6532355M1 ◀▶ M10x1,5x80 | 4 Screw |
| 9 | 6532356M1 | 8 Screw |
| 10 | 3688997M1 2,62x23,47 | 2 Ring |
| 11 | 3688691M1 M22x1,5 | 2 Plug |
| ◀▶ | Length | |

Engine

9-7 Series (2014-) - RS37 - 7070 - 7080 ISM

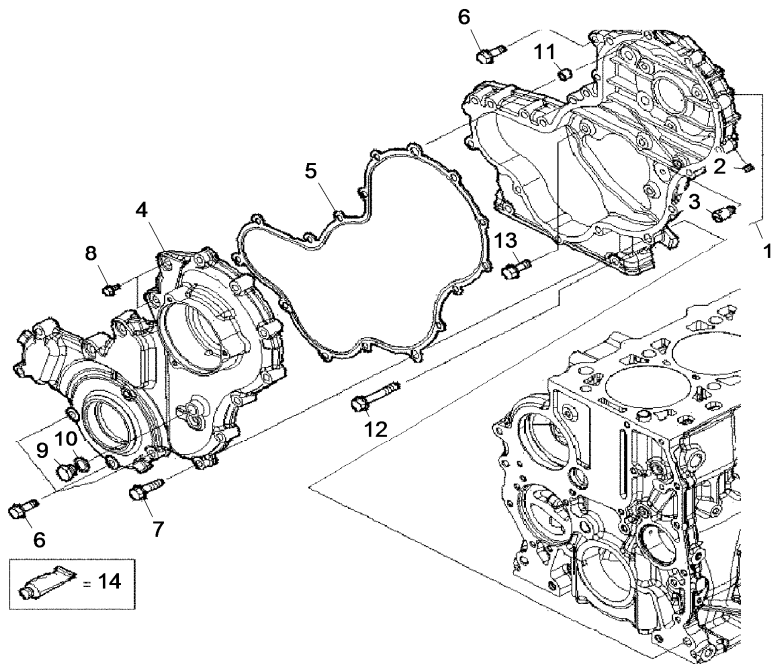
RS37\00046565.png

A-05
04



A0504

Crankcase covers



| | | Inglese |
|----|------------------------------------|-------------|
| 1 | 6532358M91 | 1 Box |
| 2 | 6532336M1 ! 1 | 1 Plug |
| 3 | 6532359M1 ! 1 | 1 Nozzle |
| 4 | 6532360M1 | 1 Coperch. |
| 5 | 6532361M1 | 1 Gasket |
| 6 | 710626A1 ◀▶ M8x25 | 4 Screw |
| 7 | 6532364M1 ◀▶ M8x35 | 13 Screw |
| 8 | 6532365M1 ◀▶ M22x103 | 2 Screw |
| 9 | 6532370M1 ◀▶ M14x1,5 | 1 Plug |
| 10 | 6532371M1 14x19,5x1,5 | 1 Gasket |
| 11 | 6513439M1 | 4 Screw |
| 12 | 6532388M1 ◀▶ M8x50 | 6 Screw |
| 13 | 6532389M1 ◀▶ M8x12 | 5 Screw |
| 14 | 6500933M1 | 999 Loctite |
| ! | This is a component of an assembly | |
| ◀▶ | Length | |

Engine

9-7 Series (2014-) - RS37 - 7070 - 7080 ISM

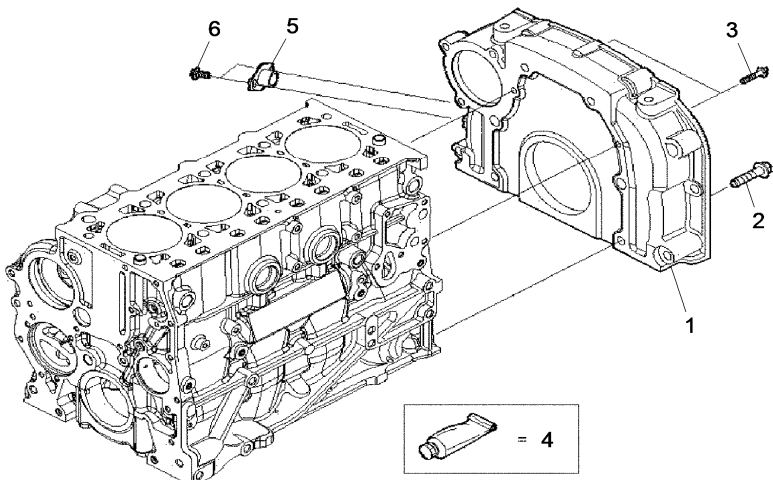
RS37\00046566.png

A-05
05



A0505

Flywheel housing



Inglese

- | | | | | |
|---|-----------|----|-----|-----------|
| 1 | 6532390M1 | | 1 | Crankcase |
| 2 | 6532391M1 | ◄► | 6 | Screw |
| 3 | 6532392M1 | ◄► | 2 | Screw |
| 4 | 6532393M1 | ● | 999 | Adhesive |
| 5 | 6532394M1 | | 1 | Plate |
| 6 | 6532395M1 | ◄► | 2 | Screw |

- ◄► Length
- Replacement

Engine

9-7 Series (2014-) - RS37 - 7070 - 7080 ISM

RS37\00046567.png

A-05
06



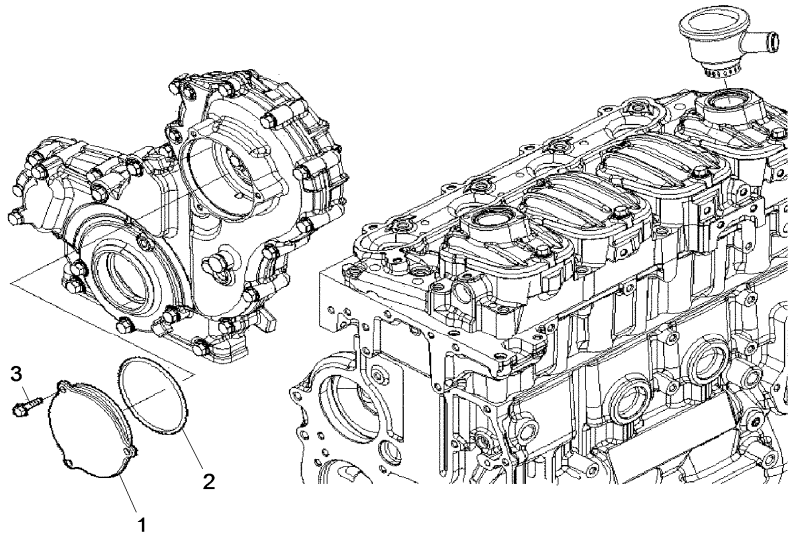
A0506

Engine breathers

- 1 6532396M1
- 2 6532397M1
- 3 6532398M1 ◀▶ M6x18
- ◀▶ Length

Inglese

- 1 Coperch.
- 1 Ring
- 3 Screw



Engine

9-7 Series (2014-) - RS37 - 7070 - 7080 ISM

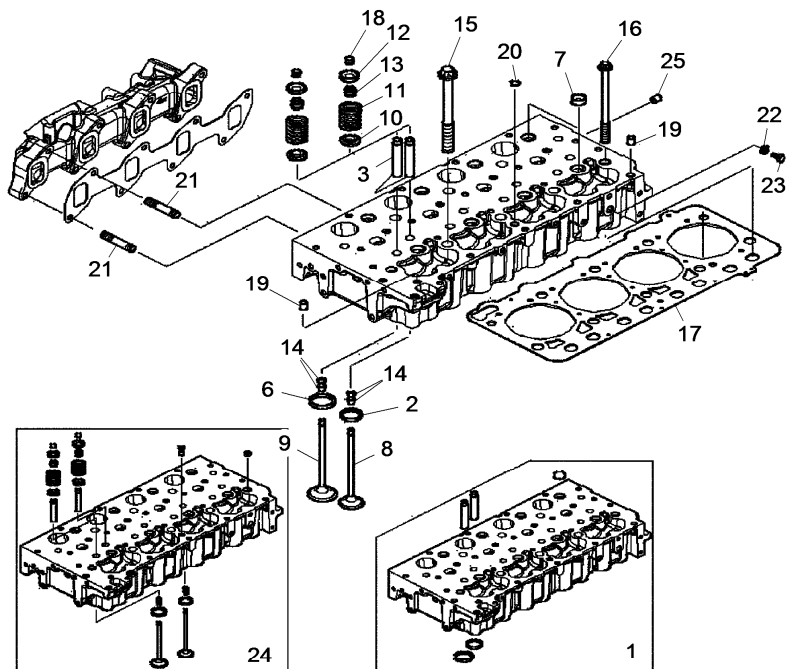
RS37\00046568.png

A-05
07



A0507

Head cylinder



| | | Inglese |
|----|-----------|------------------|
| 1 | 6532399M1 | 1 Head |
| 2 | 6532400M1 | 4 Valve seat |
| 3 | 6532401M1 | 8 Guide |
| 3 | 6532402M1 | 8 Guide |
| 3 | 6532403M1 | 8 Guide |
| 6 | 6532404M1 | 4 Valve seat |
| 7 | 6532405M1 | 8 Plug |
| 8 | 6532406M1 | 4 Valve |
| 9 | 6532407M1 | 4 Valve |
| 10 | 6532408M1 | 8 Cup |
| 11 | 6532409M1 | 8 Spring |
| 12 | 6532410M1 | 8 Cup |
| 13 | 6532411M1 | 8 Protection cap |
| 14 | 6532412M1 | 16 Cone |
| 15 | 6532413M1 | 6 Screw |
| 16 | 6532414M1 | 4 Screw |
| 17 | 6532415M1 | 1 Gasket |
| 18 | 6532416M1 | 8 Cap |
| 19 | 6513439M1 | 3 Screw |
| 20 | 6532417M1 | 1 Ring |
| 21 | 6532418M1 | 8 Screw |
| 22 | 6532419M1 | 1 Gasket |
| 23 | 6532420M1 | 1 Plug |
| 24 | 6532421M1 | 1 Head |

Engine

9-7 Series (2014-) - RS37 - 7070 - 7080 ISM

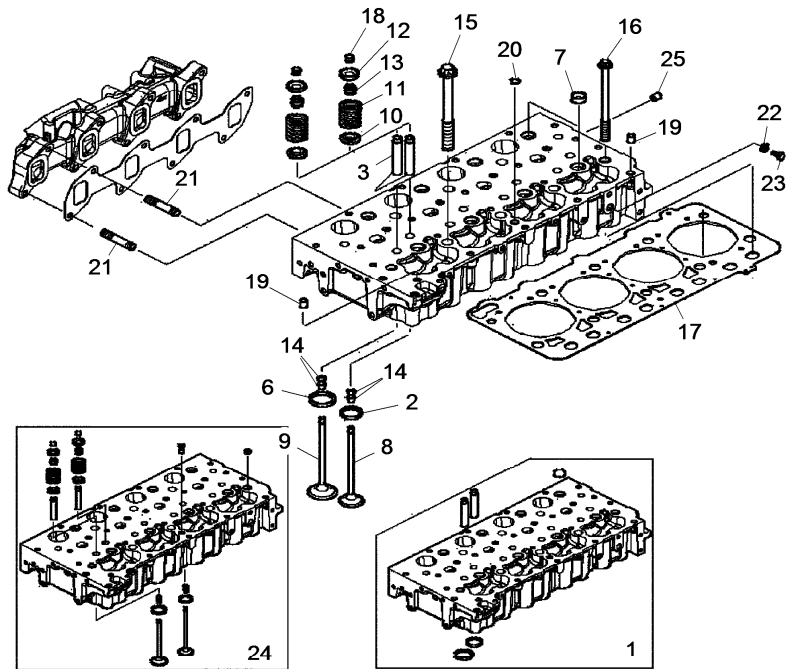
RS37\00046568.png

A-05
07



A0507

Head cylinder



Inglese

25 6532338M1 Ø 30 mm

1 Plug

✕ Shim

◄ Length

Ø Diameter

A Inlet

B Exhaust

Engine

9-7 Series (2014-) - RS37 - 7070 - 7080 ISM

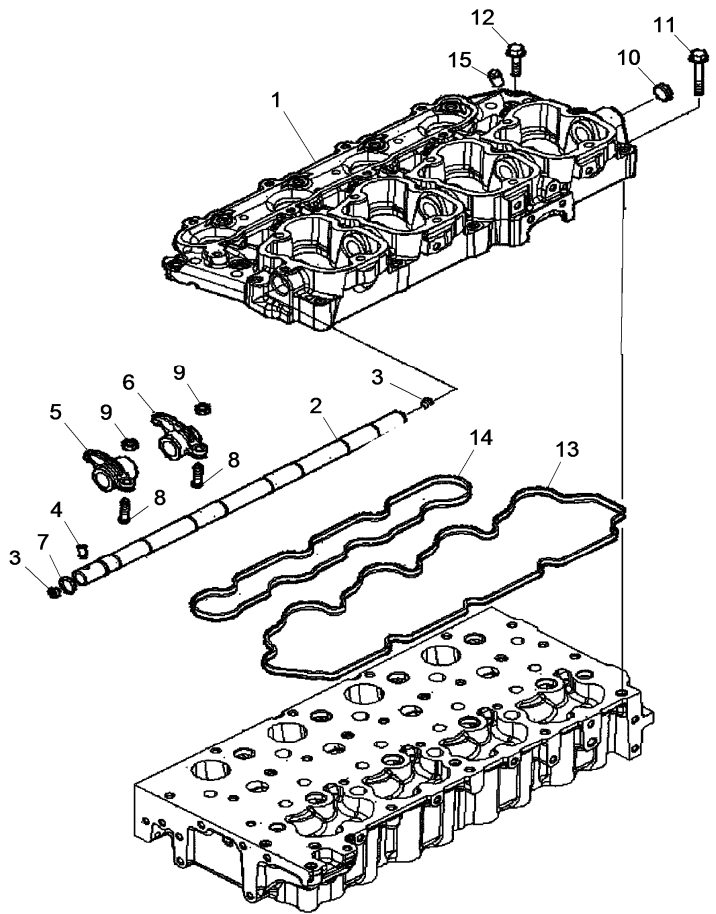
RS37\00046570.png

**A-05
08**



A0508

Cylinder head cover



| | | Inglese | |
|----|-----------|----------------|----------|
| 1 | 6532422M1 | | 1 Spacer |
| 2 | 6532423M1 | | 1 Shaft |
| 3 | 6532424M1 | Ø 12 mm | 2 Plug |
| 4 | 6532425M1 | | 1 Screw |
| 5 | 6532430M1 | A | 4 Rocker |
| 6 | 6532431M1 | B | 4 Rocker |
| 7 | 13,9x2,6 | 1 Ring | |
| 8 | 6532432M1 | | 8 Screw |
| 9 | 6532433M1 | | 8 Nut |
| 10 | 6532434M1 | Ø 20 mm | 1 Plug |
| 11 | 6532388M1 | ◄► M8x50 | 10 Screw |
| 12 | 3688942M1 | ◄► M8x30 | 11 Screw |
| | | ● 706309A1(11) | |
| 13 | 6532435M1 | | 1 Gasket |
| 14 | 6532436M1 | | 1 Gasket |
| 15 | 6532437M1 | M12x1,5 | 4 Plug |

- ◄► Length
- Ø Diameter
- Replacement
- A Discharge
- B Exhaust

Engine

9-7 Series (2014-) - RS37 - 7070 - 7080 ISM

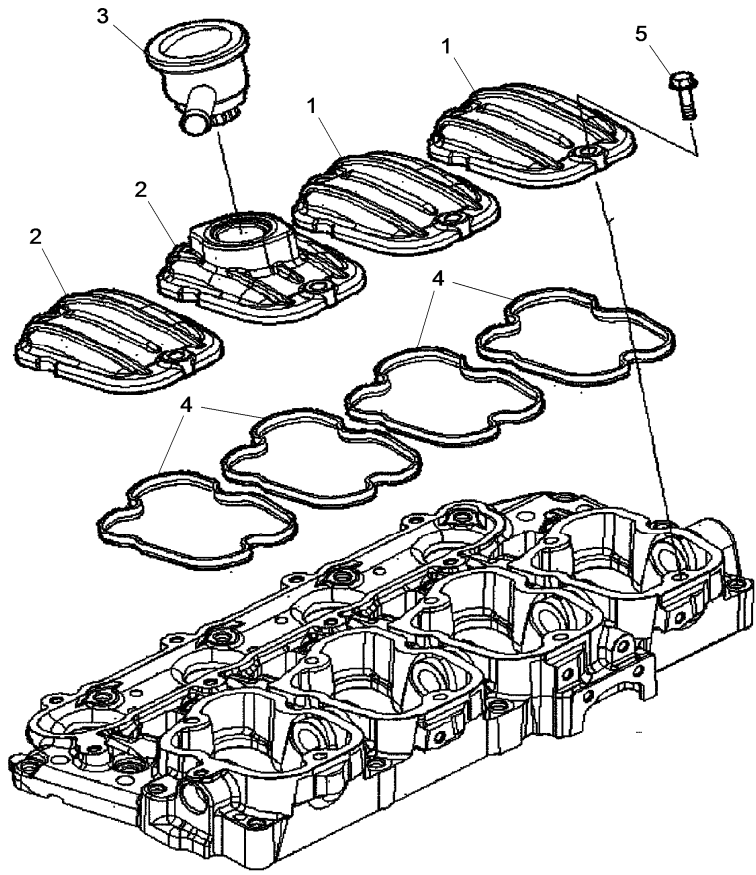
A-05
09



A0509

Cylinder head cover

RS37\00046571.png



- 1 6532438M1
 - 2 6532439M1
 - 3 6532440M1
 - 4 6532441M1
 - 5 6532364M1
- ◀▶ M8x35
◀▶ Length

- Inglese
- 3 Coperch.
 - 1 Coperch.
 - 1 Vent
 - 4 Gasket
 - 8 Screw

Engine

9-7 Series (2014-) - RS37 - 7070 - 7080 ISM

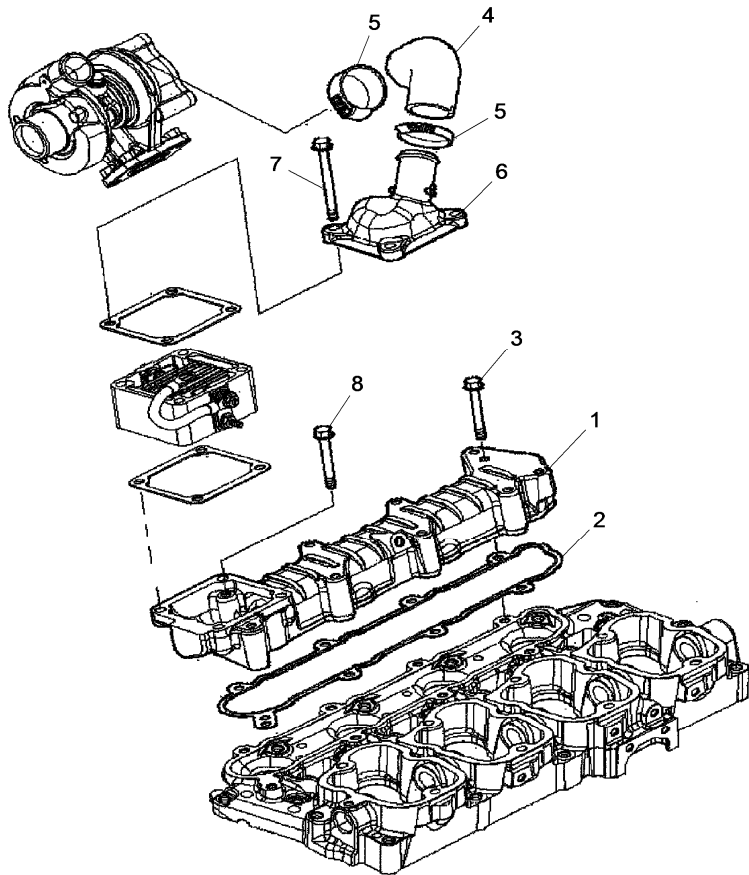
RS37\00046573.png

A-05
10



A0510

Induction manifold



- 1 6532451M1
- 2 6532452M1
- 3 6532453M1 ◀▶ M8x40
- 4 6532454M1
- 5 6532455M1
- 6 6532456M1
- 7 6532457M1 ◀▶ M8x70
- 8 6532458M1 ◀▶ M8x1,5x55
- ◀▶ Length

Inglese

- 1 Duct
- 1 Gasket
- 7 Screw
- 1 Sleeve
- 2 Collar
- 1 Pipe
- 4 Screw
- 1 Screw

Engine

9-7 Series (2014-) - RS37 - 7070 - 7080 ISM

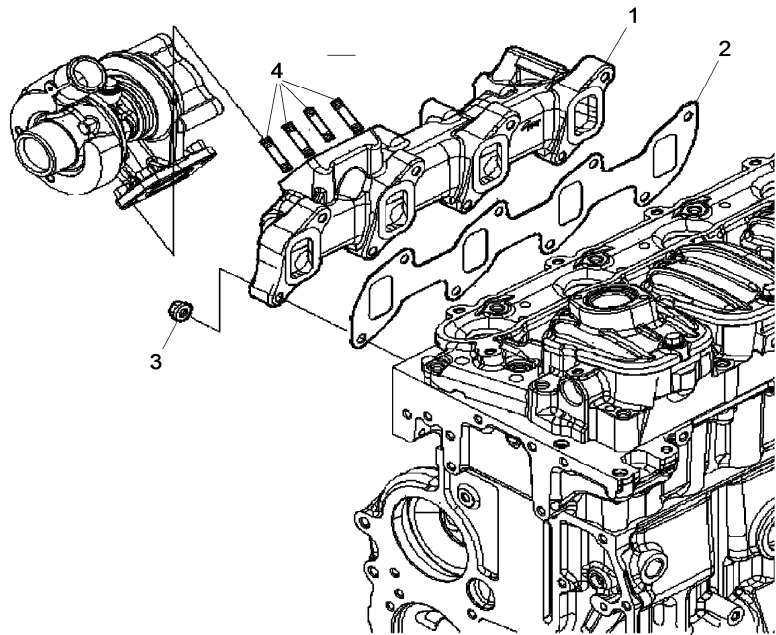
RS37\00046581.png

A-05
12



A0512

Exhaust manifold



- 1 6532489M1
- 2 6532490M1
- 3 6532491M1
- 4 6532492M1 ◀▶ M8x20
- ◀▶ Length

Inglese

- 1 Manifold
- 1 Gasket
- 8 Nut
- 4 Stud

Engine

9-7 Series (2014-) - RS37 - 7070 - 7080 ISM

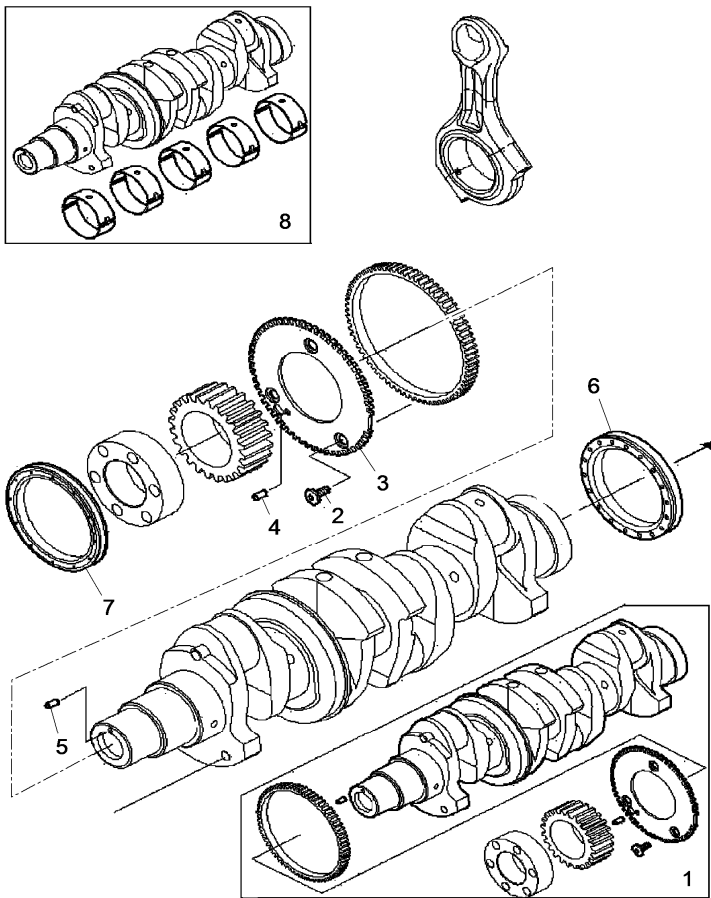
RS37\00046586.png

A-05
13



A0513

Crankshaft



- 1 6532494M91
 - 2 6532495M1 ◀▶ M6x1
 - 3 6532496M1
 - 4 6532497M1 Ø 5,5 mm
 - 5 6532498M1 Ø 4 mm
 - 6 6532499M1
 - 7 6532500M1
 - 8 6532501M1
 - 8 6532502M1 ⚡ -0,254 mm
 - 8 6532503M1 ⚡ -0,508 mm
- ⚡ Shim
▶◀ Length
Ø Diameter

Inglese

- 1 Shaft
- 3 Screw
- 1 Gear
- 1 Dowel
- 1 Dowel
- 1 Ring
- 1 Ring
- 1 Cuscinet
- 1 Cuscinet
- 1 Cuscinet

Engine

9-7 Series (2014-) - RS37 - 7070 - 7080 ISM

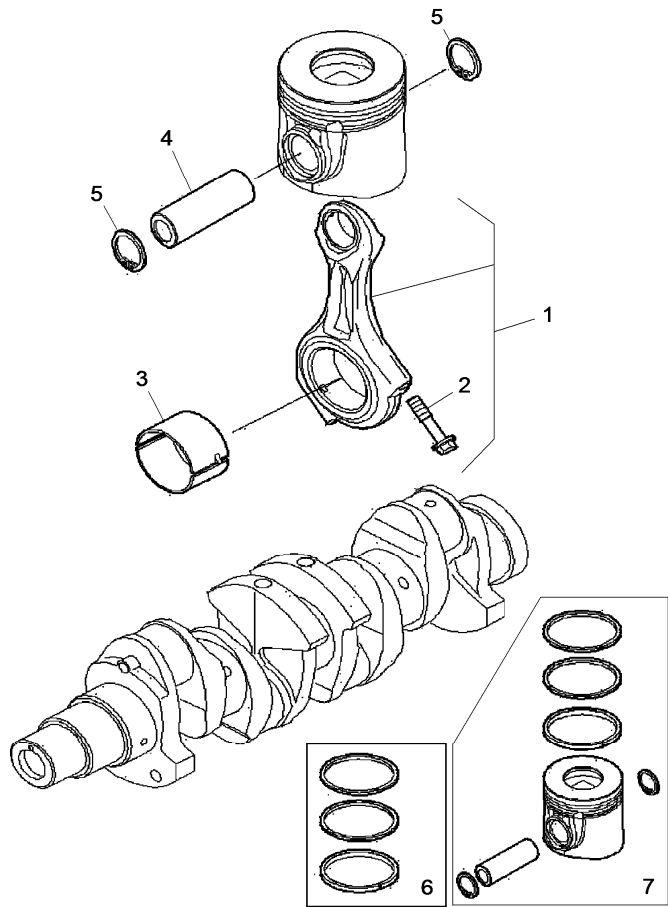
RS37\00046587.png

A-05
14



A0514

Crankshaft, pistons and connecting rods



| | | Inglese |
|---|------------------------------------|------------|
| 1 | 6532912M91 | 4 Conrod |
| 2 | 6532913M1 ! 1 | 2 Screw |
| 3 | 6532914M1 | 4 Cuscinet |
| 3 | 6532915M1 ✕ -0,254 mm | 4 Cuscinet |
| 3 | 6532916M1 ✕ -0,508 mm | 4 Cuscinet |
| 4 | 6532917M1 | 4 Pin |
| 5 | 6532918M1 | 8 Ring |
| 6 | 6532919M1 | 4 Ring |
| 6 | 6532920M1 ✕ +0,4 mm | 4 Ring |
| 7 | 6532921M91 | 4 Piston |
| 7 | 6532922M91 ✕ +0,4 mm | 4 Piston |
| ! | This is a component of an assembly | |
| ✕ | Shim | |

Engine

9-7 Series (2014-) - RS37 - 7070 - 7080 ISM

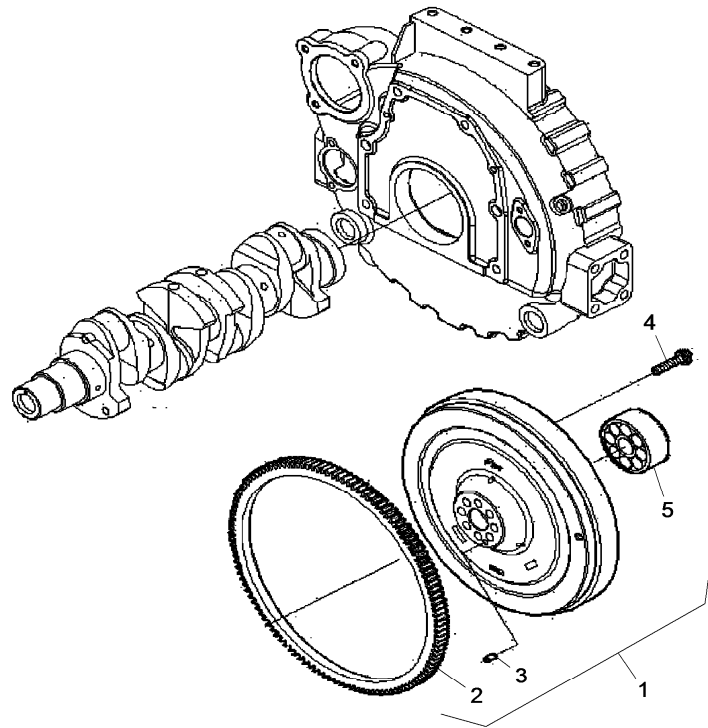
RS37\00046588.png

A-05
15



A0515

Flywheel



- 1 6532923M91
- 2 6532924M1 ! 1
- 3 6532925M1 Ø 8 mm ! 1
- 4 6532926M1
- 5 6532927M1 ! 1
- ! This is a component of an assembly
- Ø Diameter

Inglese

- 1 Flywheel
- 1 Crownwheel
- 1 Dowel
- 8 Screw
- 1 Cuscinet

Engine

9-7 Series (2014-) - RS37 - 7070 - 7080 ISM

RS37\00046589.png

A-05
16

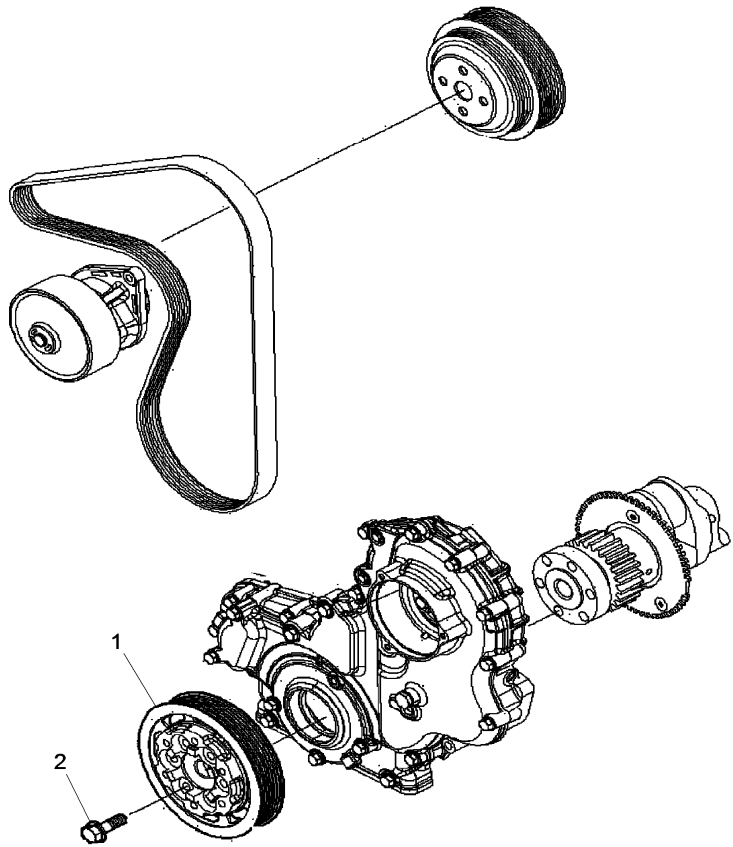


A0516

Pulley

Inglese

- 1 6532928M1
 - 2 706310A1 ◀▶ M10x30
 - ◀▶ Length
- 1 Pulley
6 Screw



Engine

9-7 Series (2014-) - RS37 - 7070 - 7080 ISM

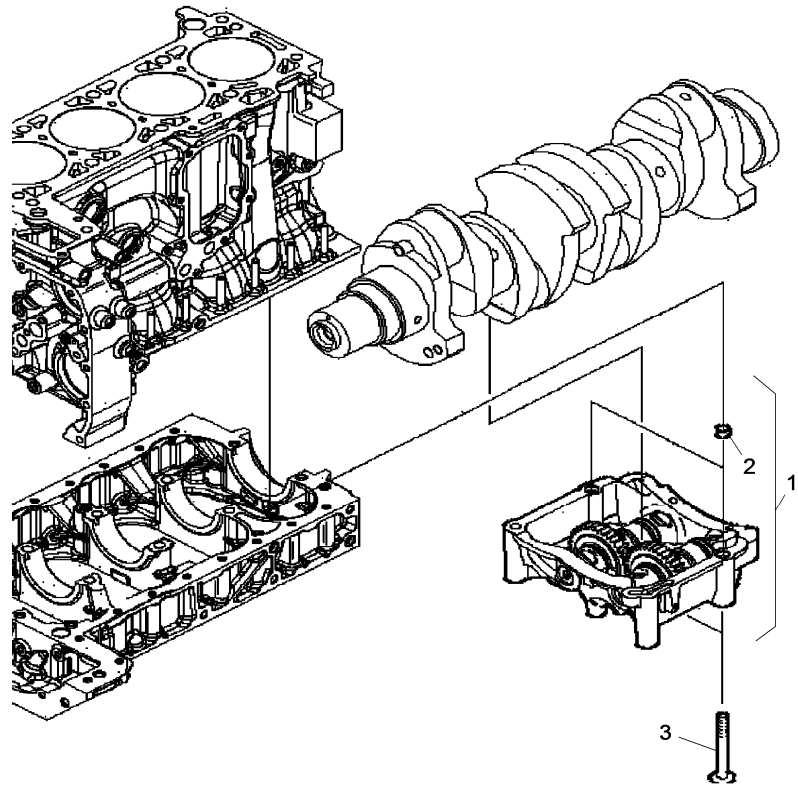
RS37\00046590.png

A-05
17



A0517

Additional masses



- 1 6532929M91
- 2 6532930M1 ! 1
- 3 4206605M1 ◀▶ M10x90
- ! This is a component of an assembly
- ◀▶ Length

Inglese

- 1 Support
- 2 Dowel
- 4 Screw



Suggest:

For more complete manuals. Please go to the home page.

<https://www.ebooklibonline.com>

If the above button click is invalid. Please download this document first, and then click the above link to download the complete manual.

Thank you so much for reading

Engine

9-7 Series (2014-) - RS37 - 7070 - 7080 ISM

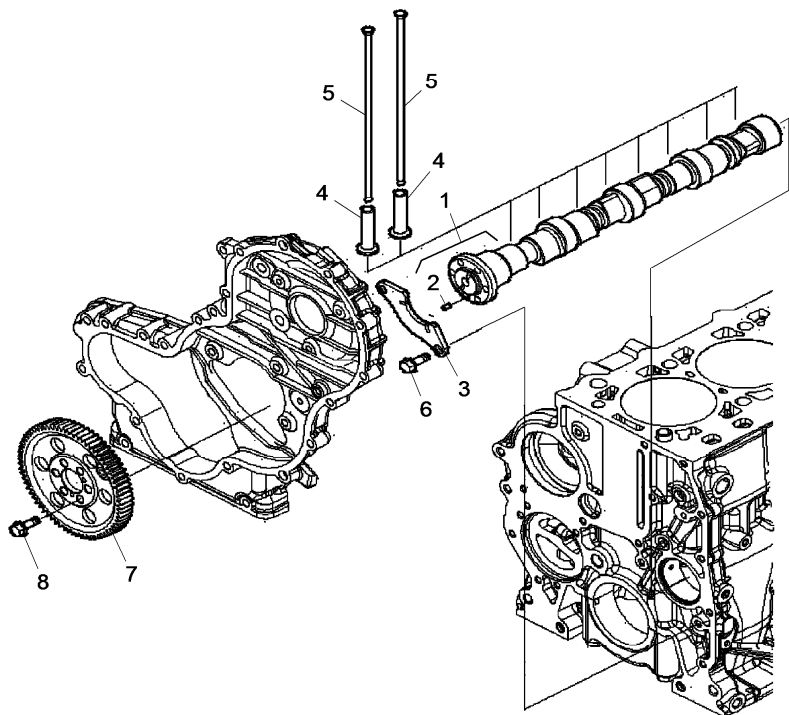
RS37\00046605.png

A-05
18



A0518

Rocker shaft



- 1 6532942M91
- 2 3688991M1 ! 1
- 3 3688818M1 ● 704931A1(1)
- 4 6532943M1
- 5 6532944M1
- 6 3688941M1 ◄► M8x20
● 710625A1(2)
- 7 6532945M1
- 8 3688941M1 ◄► M8x20
● 710625A1(6)

Inglese

- 1 Shaft
- 1 Screw
- 1 Stirrup
- 8 Cam
- 8 Rod
- 2 Screw
- 1 Gear
- 6 Screw

- ! This is a component of an assembly
- ◄► Length
- Replacement

Engine

9-7 Series (2014-) - RS37 - 7070 - 7080 ISM

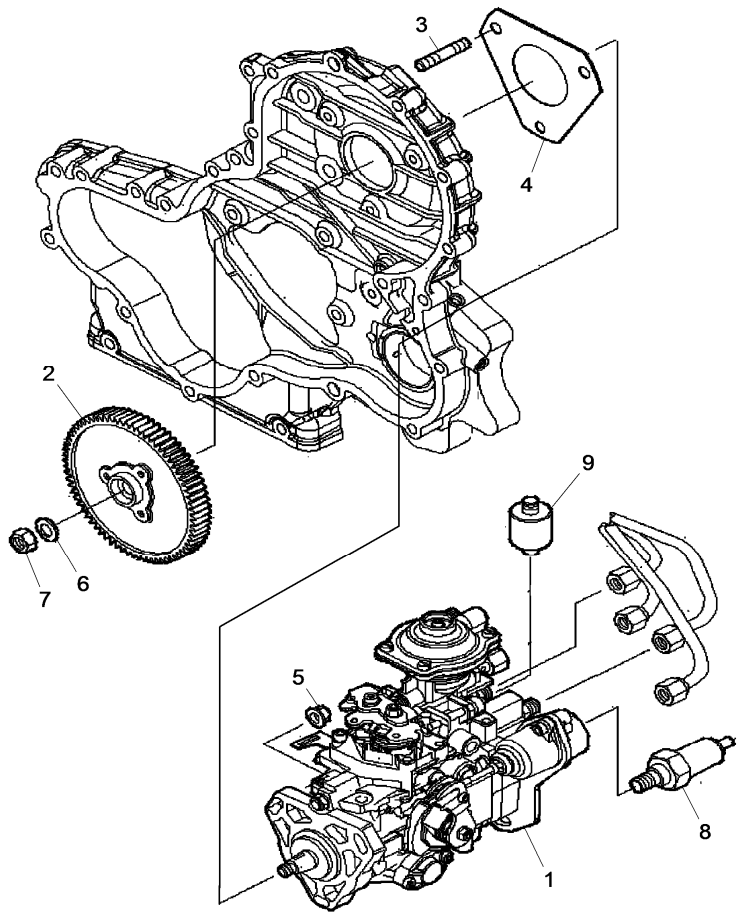
RS37\00046606.png

A-05
19



A0519

Injection pump



-
- 1 6532956M91
- 2 6532948M1
- 3 6532949M1 ◀▶ M8x30
- 4 710622A1
- 5 6532950M1
- 6 6532951M1
- 7 6532952M1
- 8 6532953M1
- 9 4208167M1
- ◀▶ Length
- A For model 7070

Inglese

- 1 Pump
- 1 Gear
- 3 Screw
- 1 Gasket
- 3 Nut
- 1 Lock washer
- 1 Nut
- 1 Sensor
- 1 Magneto

<https://www.ebooklibonline.com>

Hello dear friend!

Thank you very much for reading.

Enter the link into your browser.

The full manual is available for immediate download.

<https://www.ebooklibonline.com>