

Engine

4500 Restyling (2011-2012) - RS01 - 4545

RS01\00040256.png

A-05
01



A0501

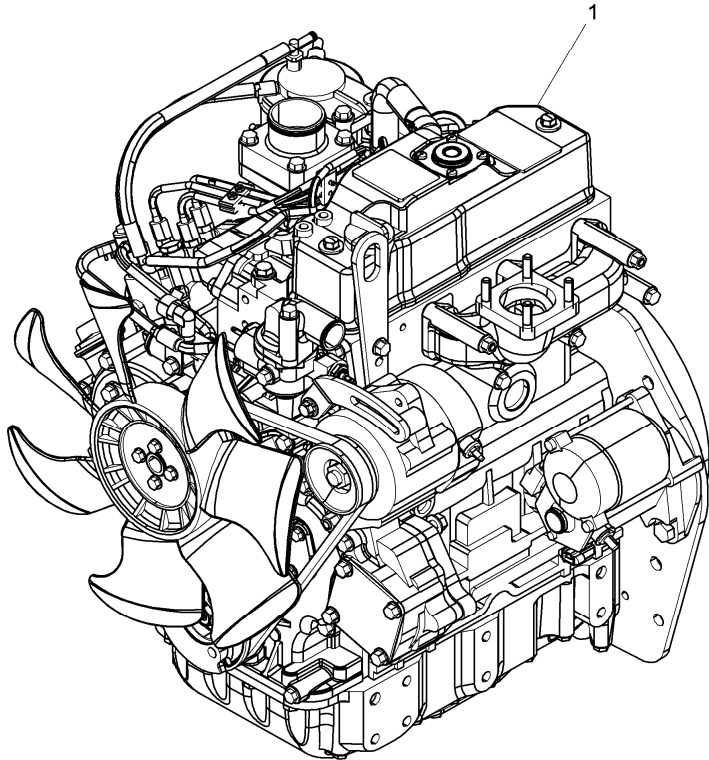
Engine assembly

Inglese

1 6501629M91

Yanmar 3tnv88
36 cv / 26 kw

1 Engine



Engine

4500 Restyling (2011-2012) - RS01 - 4545

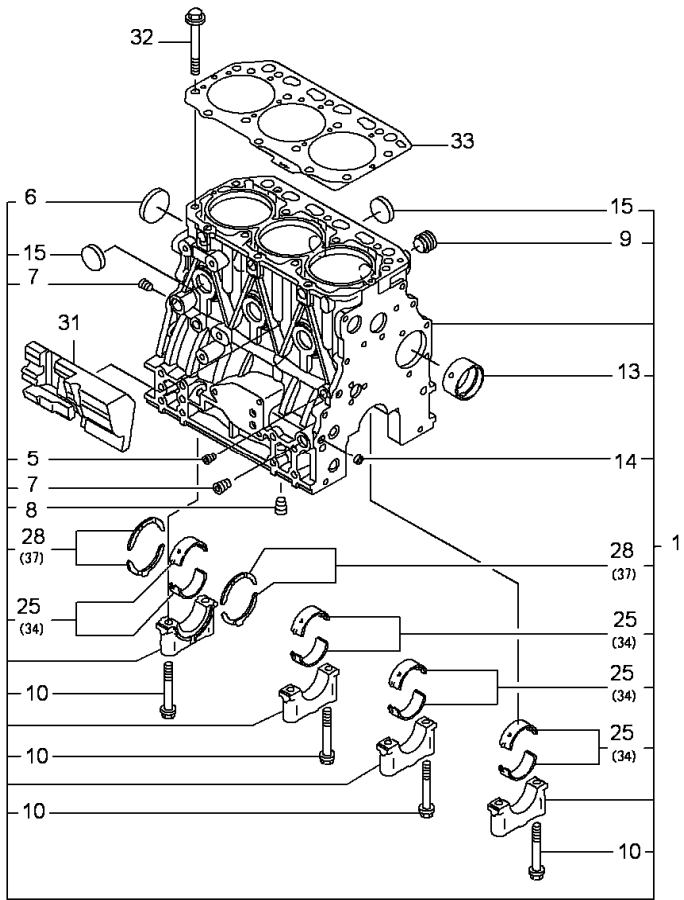
RS01\00040283.png

A-05
02



A0502

Cylinder block



- | | | | |
|----|--------------|---|---|
| 1 | 3681397M1 | | |
| 5 | 3678007M1 | ! | 1 |
| 6 | 3664445M1 | ! | 1 |
| 7 | 3653316M1 | ! | 1 |
| 8 | 3653316M1 | ! | 1 |
| 9 | 3653796M1 | ! | 1 |
| 10 | 3653429M1 | ! | 1 |
| 13 | 4215962M1 | ! | 1 |
| 14 | 3653888M1 | ! | 1 |
| 15 | 3653889M1 | ! | 1 |
| | 3653889M2(6) | | |
| 25 | 4215967M1 | ! | 1 |
| 28 | 4215968M1 | ! | 1 |
| 31 | 3678014M1 | | |
| 32 | 3653428M1 | | |
| 33 | 3653335M1 | | |
| 34 | 3653431M2 | | |
| 37 | 4215970M1 | | |
- ! This is a component of an assembly
 Replacement

Inglese

- | | |
|----|----------------|
| 1 | Cylinder block |
| 1 | Plug |
| 1 | Plug |
| 2 | Plug |
| 1 | Plug |
| 1 | Plug |
| 8 | Bolt |
| 1 | Bush |
| 2 | Plug |
| 6 | Plug |
| 4 | Kit |
| 2 | Clamp |
| 1 | Spacer |
| 14 | Stud |
| 1 | Gasket |
| 4 | Ring |
| 1 | Clamp |

Engine

4500 Restyling (2011-2012) - RS01 - 4545

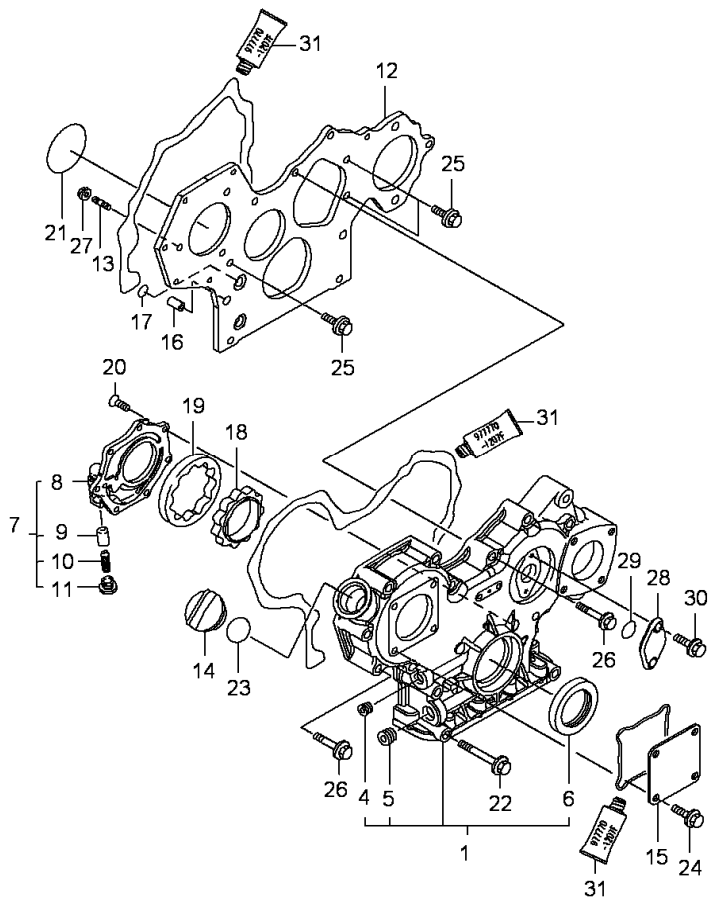
RS01\00040284.png

A-05
03



A0503

Distribution cover



- 1 3680176M1
- 4 3665018M1 ! 1
- 5 3678309M1 ! 1
- 6 3653788M1 ! 1
- 7 3677980M1
- 8 3677979M1 ! 7
- 9 3678295M1 ! 7
- 10 3678043M1 ! 7
- 11 3678013M1 ! 7
- 12 3678023M1
- 13 4215973M1
- 14 3653315M1
- 15 3653320M1
- 16 3653789M1
- 17 3677944M1
- 18 3680177M1
- 19 3680178M1
- 20 3677981M1
- 21 3653310M1
- 22 3664450M1
- 23 3653835M1
- 24 3653858M1
- 25 3653858M1

72x55x9

Inglese

- 1 Coperch.
- 1 Plug
- 1 Plug
- 1 Seal
- 1 Coperch.
- 1 Coperch.
- 1 Valve
- 1 Spring
- 1 Plug
- 1 Flange
- 3 Bolt
- 1 Plug
- 1 Coperch.
- 2 Bush
- 4 Ring
- 1 Rotor
- 1 Rotor
- 7 Screw
- 1 Ring
- 3 Bolt
- 1 Ring
- 4 Bolt
- 3 Bolt

<https://www.ebooklibonline.com>

Hello dear friend!

Thank you very much for reading.

Enter the link into your browser.

The full manual is available for immediate download.

<https://www.ebooklibonline.com>

Engine

4500 Restyling (2011-2012) - RS01 - 4545

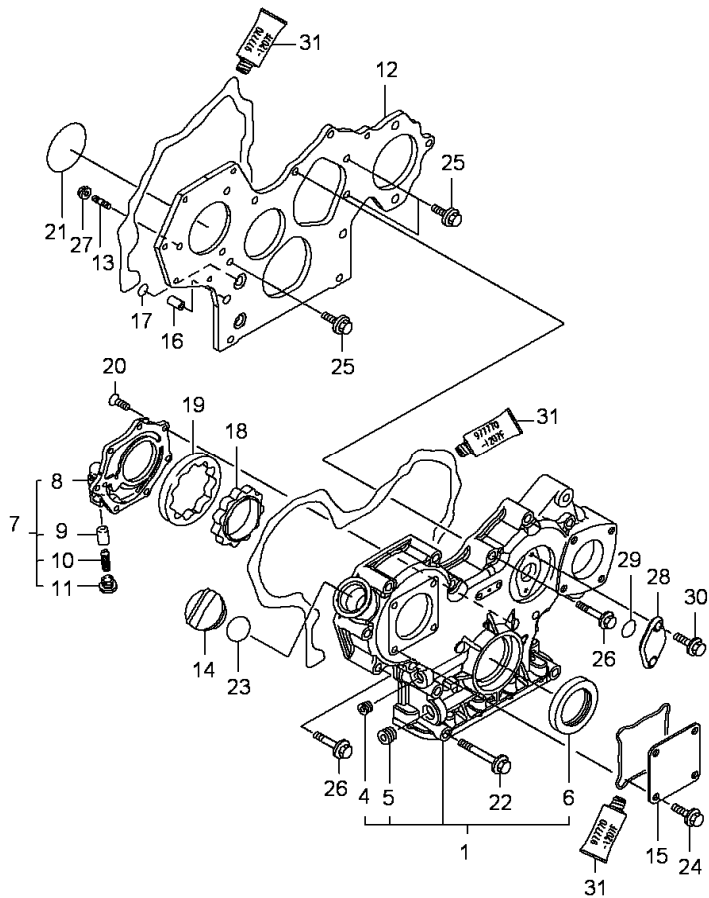
RS01\00040284.png

A-05
03



A0503

Distribution cover



- 26 3653865M1
- 27 3666905M1
- 28 4215980M1
- 29 3653841M1
- 30 3653853M1
- 31 4215984M1 ● 3653908M2(1)
- ! This is a component of an assembly
- Replacement

Inglese

- 11 Bolt
- 3 Nut
- 1 Coperch.
- 1 Ring
- 2 Bolt
- 1 Gasket

Engine

4500 Restyling (2011-2012) - RS01 - 4545

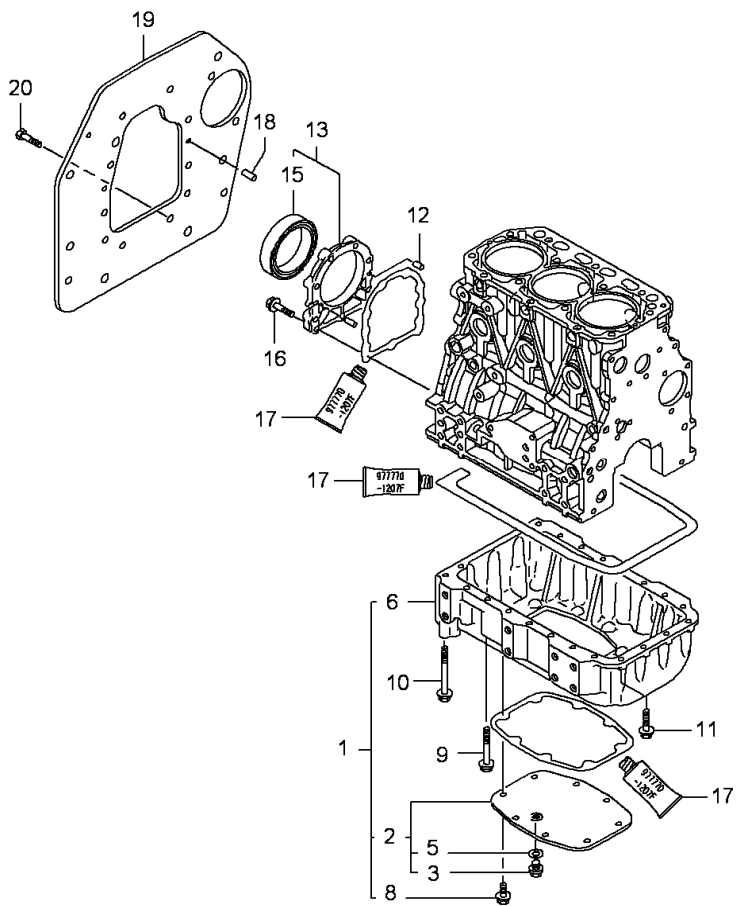
RS01\00040285.png

**A-05
04**



A0504

Lubricating oil pump and delivery housing



- | | | | |
|----|------------|---|--------------|
| 1 | 4215986M91 | | |
| 2 | 4215987M91 | ! | 1 |
| 3 | 3653253M1 | ! | 2 |
| 5 | 3653811M1 | ! | 2 |
| 6 | 4215988M1 | ! | 1 |
| 8 | 3653860M1 | ! | 1 |
| 9 | 3664450M1 | | 14 |
| 10 | 3653352M1 | | 4 |
| 11 | 3653860M1 | | 4 |
| 12 | 3653378M1 | | 2 |
| 13 | 3653379M1 | ● | 4206673M1(1) |
| 15 | 3653787M1 | ! | 13 |
| | | ● | 3653787M2(1) |
| 16 | 3653772M1 | | 9 |
| 17 | 4215984M1 | ● | 3653908M2(1) |
| 18 | 3653378M1 | | 2 |
| 19 | 4215991M1 | | 1 |
| 20 | 3653872M1 | | 8 |
- ! This is a component of an assembly
 ● Replacement

Inglese

- | | |
|----|---------|
| 1 | Pan |
| 1 | Plug |
| 1 | Plug |
| 1 | Bush |
| 1 | Pan |
| 8 | Bolt |
| 14 | Bolt |
| 4 | Bolt |
| 4 | Bolt |
| 2 | Dowel |
| 1 | Housing |
| 1 | Seal |
| 9 | Bolt |
| 1 | Gasket |
| 2 | Dowel |
| 1 | Flange |
| 8 | Bolt |

Engine

4500 Restyling (2011-2012) - RS01 - 4545

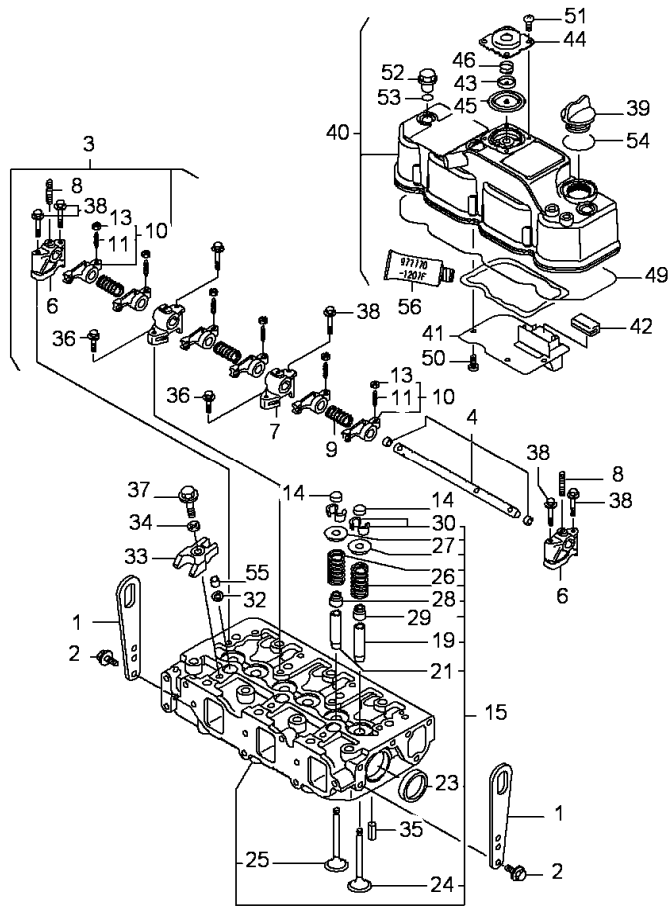
RS01\00040286.png

A-05
05



A0505

Cylinder head-rocker shaft



			Inglese
1	3664580M1		2 Cam
2	3653858M1		4 Bolt
3	3681377M1		1 Shaft
4	3681378M1	! 3	1 Shaft
6	3680185M1	! 3	2 Support
7	3680186M1	! 3	2 Support
8	3681374M1	! 3	3 Stud
9	3653440M1	! 3	3 Spring
10	3680188M1	! 3	6 Cam
11	3653439M1	! 10	1 Screw
13	3653444M1	! 10	1 Nut
14	3653443M1		6 Shim
15	3681386M1		1 Head
19	3653298M1	! 15	3 Guide
21	3653445M1	! 15	3 Guide
23	3653890M1	! 15	2 Plug
24	3681364M1	! 15	3 Valve
25	4215994M1	! 15	3 Valve
	● 3653381M2(3)		
26	3653792M1	! 15	6 Spring
27	3653793M1	! 15	6 Nameplate
28	3653304M1	! 15	3 Thimble
29	3653323M1	! 15	3 Thimble
30	3680181M1	! 15	6 Cotter

Engine

4500 Restyling (2011-2012) - RS01 - 4545

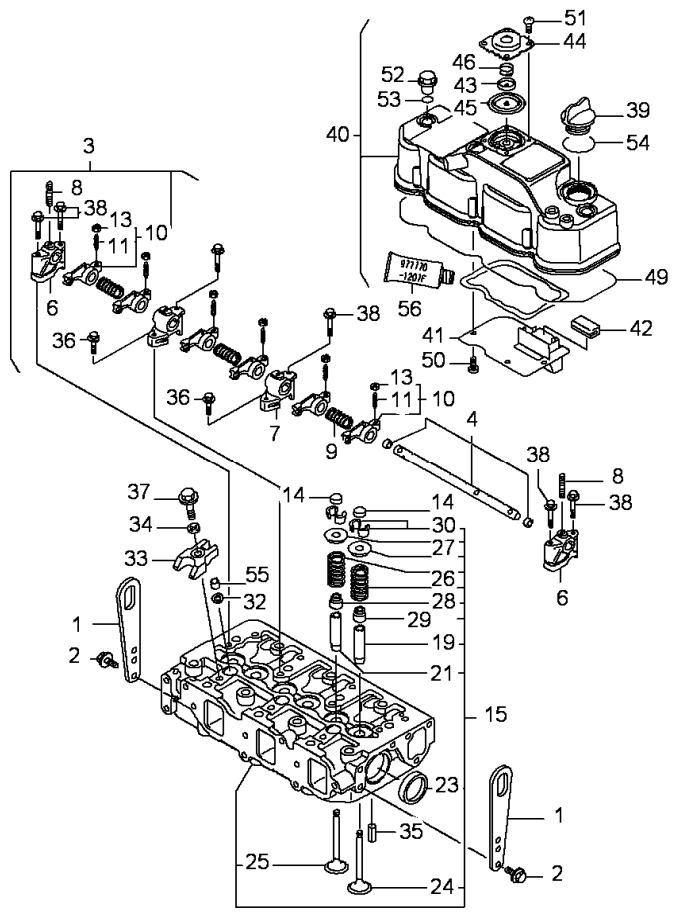
RS01\00040286.png

A-05
05



A0505

Cylinder head-rocker shaft



		Inglese
32	3653266M1	3 Washer
33	3680182M1	3 Clip
34	3680183M1	3 Washer
35	3653818M1	2 Pin
36	3653860M1	2 Bolt
37	3653861M1	3 Bolt
38	3653864M1	6 Bolt
39	3653315M1	1 Plug
40	3681380M1	1 Coperch.
41	3680191M1	! 40 1 Plate
42	3653435M1	! 40 1 Guard
43	3680210M1	! 40 1 Plate
44	4215999M1	! 40 1 Coperch.
45	3680212M1	! 40 1 Diaphragm
46	4216001M1	! 40 1 Spring
49	3681379M1	! 40 1 Gasket
50	3665010M1	! 40 4 Screw
51	3665010M1	! 40 4 Screw
52	3653317M1	3 Plug
53	3653831M1	3 Ring
54	3653835M1	1 Ring
55	3677971M1	3 Guard
56	4215984M1	● 3653908M2(1) 1 Gasket

! This is a component of an assembly
 ● Replacement

Engine

4500 Restyling (2011-2012) - RS01 - 4545

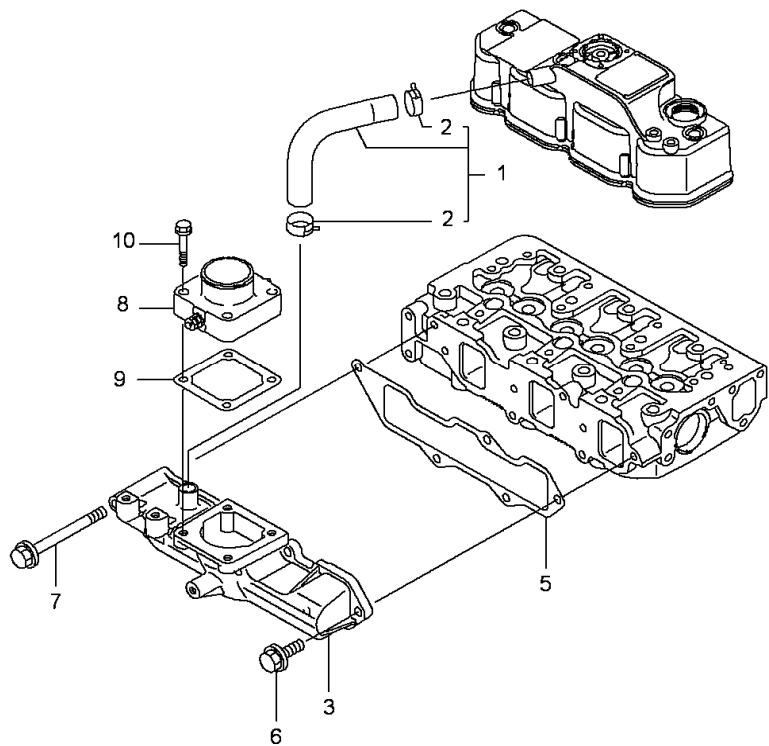
A-05
06



A0506

Induction manifold

RS01\00040287.png



- 1 3680215M1
- 2 3680216M1 ! 1
- 3 3681387M1
- 5 3653337M1
- 6 3653859M1
- 7 3653868M1
- 8 4216176M1
- 9 3653467M1
- 10 3653861M1

Inglese

- 1 Pipe
- 2 Clamp
- 1 Manifold
- 1 Gasket
- 4 Bolt
- 1 Bolt
- 1 Heater
- 1 Gasket
- 4 Bolt

! This is a component of an assembly

Engine

4500 Restyling (2011-2012) - RS01 - 4545

RS01\00040288.png

A-05
07



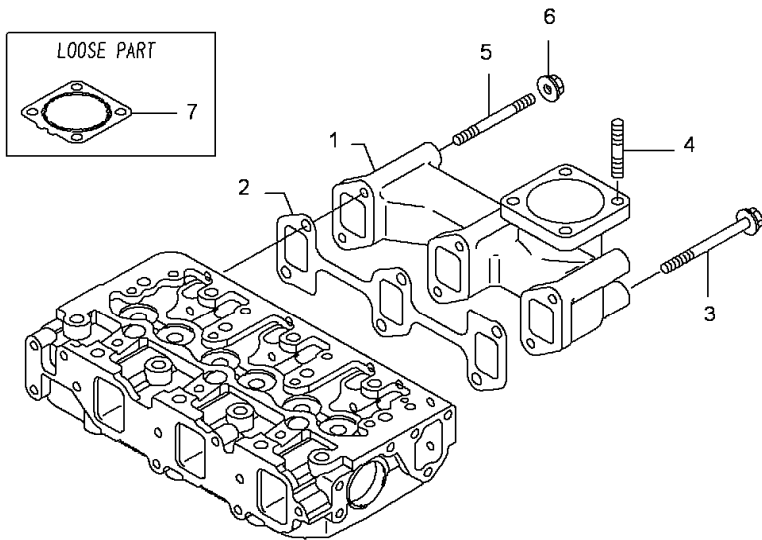
A0507

Exhaust manifold

- 1 6502867M1
- 2 3681389M1
- 3 3679695M1
- 4 3653262M1
- 5 3679694M1
- 6 3666905M1
- 7 3681381M1

Inglese

- 1 Manifold
- 1 Gasket
- 4 Bolt
- 4 Bolt
- 2 Stud
- 2 Nut
- 1 Gasket



Engine

4500 Restyling (2011-2012) - RS01 - 4545

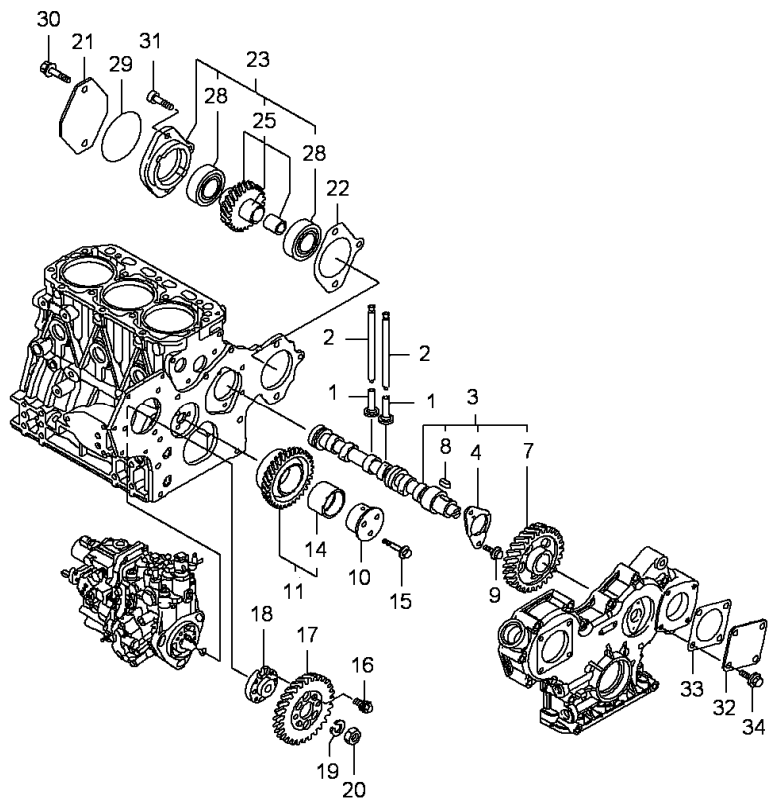
RS01\00040289.png

A-05
08



A0508

Timing gear and camshaft



- 1 3653447M1
- 2 3653448M1
- 3 3653400M1
- 4 3653430M1 ! 3
- 7 3653446M1 ! 3
- 8 3653820M1 ! 3
- 9 3653857M1
- 10 3677975M1
- 11 4216017M91
- 14 4216018M1 ! 11
- 15 3653862M1
- 16 3664454M1
- 17 3677978M1
- 18 3678298M1
- 19 3678300M1
- 20 3678315M1
- 21 3653300M1
- 22 3653800M1
- 23 3653363M1
- 25 3653364M1 ! 23
- 28 3653830M1 ! 23
- 29 3653839M1
- 30 3653869M1
- 31 3653879M1

Inglese

- 6 Tappet
- 6 Rod
- 1 Shaft
- 1 Plate
- 1 Gear
- 1 Key
- 2 Bolt
- 1 Shaft
- 1 Gear
- 1 Bush
- 3 Bolt
- 4 Screw
- 1 Gear
- 1 Flange
- 1 Spring
- 1 Nut
- 1 Coperch.
- 1 Gasket
- 1 Kit
- 1 Gear
- 2 Bearing
- 1 Ring
- 2 Bolt
- 1 Bolt

Engine

4500 Restyling (2011-2012) - RS01 - 4545

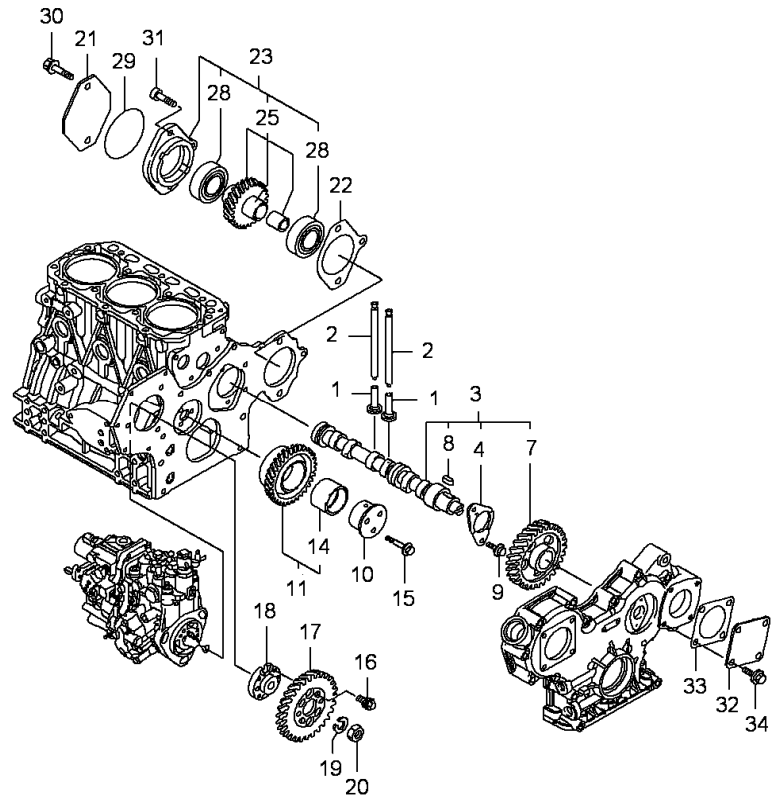
RS01\00040289.png

A-05
08



A0508

Timing gear and camshaft



32 3653320M1

33 3653321M1

34 3653858M1

! This is a component of an assembly

Inglese

1 Coperch.

1 Gasket

4 Bolt

Engine

4500 Restyling (2011-2012) - RS01 - 4545

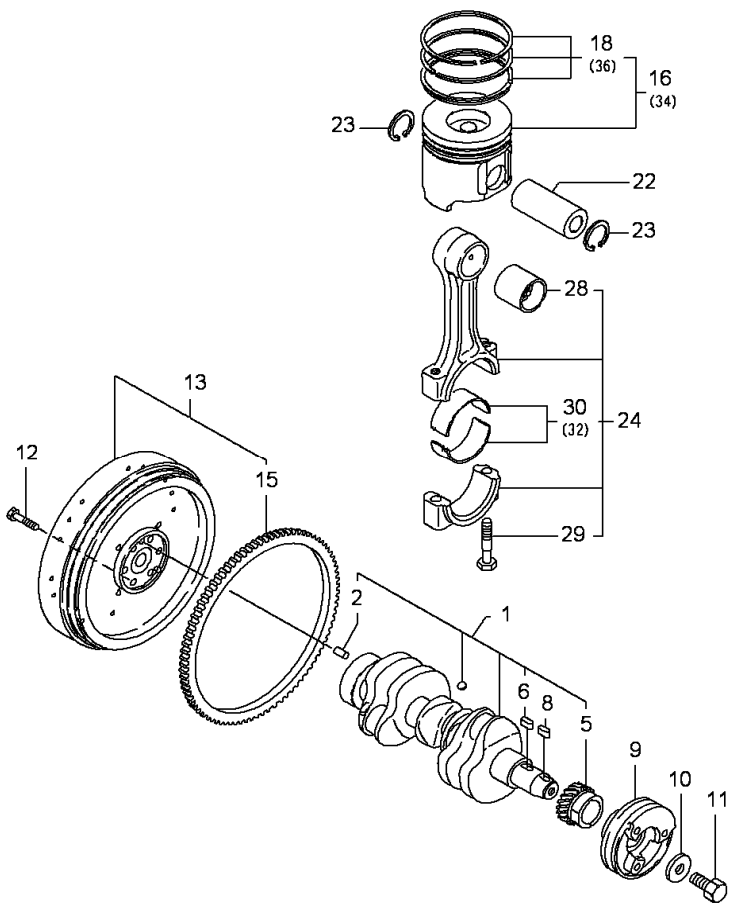
RS01\00040290.png

A-05
09



A0509

Crankshaft, pistons and connecting rods



- | | | | |
|----|------------|---|----|
| 1 | 4216028M1 | | |
| 2 | 3653378M1 | ! | 1 |
| 5 | 4206674M1 | ! | 1 |
| 6 | 3653820M1 | ! | 1 |
| 8 | 3653820M1 | | |
| 9 | 3653362M1 | | |
| 10 | 3653794M1 | | |
| 11 | 3653309M1 | | |
| 12 | 3653301M1 | | |
| 13 | 4216030M91 | | |
| 15 | 3653297M1 | ! | 13 |
| 16 | 3681365M1 | | |
| 18 | 3681366M1 | ! | 16 |
| 22 | 3653731M1 | | |
| 23 | 3653815M1 | | |
| 24 | 3653897M1 | | |
| 28 | 3653383M1 | ! | 24 |
| 29 | 3653307M1 | ! | 24 |
| 30 | 4216034M1 | ! | 24 |
| 32 | 4216035M1 | | |
| 34 | 3681367M1 | | |
| 36 | 3681368M1 | ! | 34 |

Inglese

- | | |
|---|------------|
| 1 | Shaft |
| 1 | Dowel |
| 1 | Gear |
| 1 | Key |
| 1 | Key |
| 1 | Pulley |
| 1 | Washer |
| 1 | Bolt |
| 6 | Bolt |
| 1 | Flywheel |
| 1 | Crownwheel |
| 3 | Piston |
| 1 | Kit |
| 3 | Cotter |
| 6 | Clip |
| 3 | Conrod |
| 1 | Bearing |
| 2 | Bolt |
| 1 | Thimble |
| 3 | Thimble |
| 3 | Piston |
| 1 | Kit |

! This is a component of an assembly

Engine

4500 Restyling (2011-2012) - RS01 - 4545

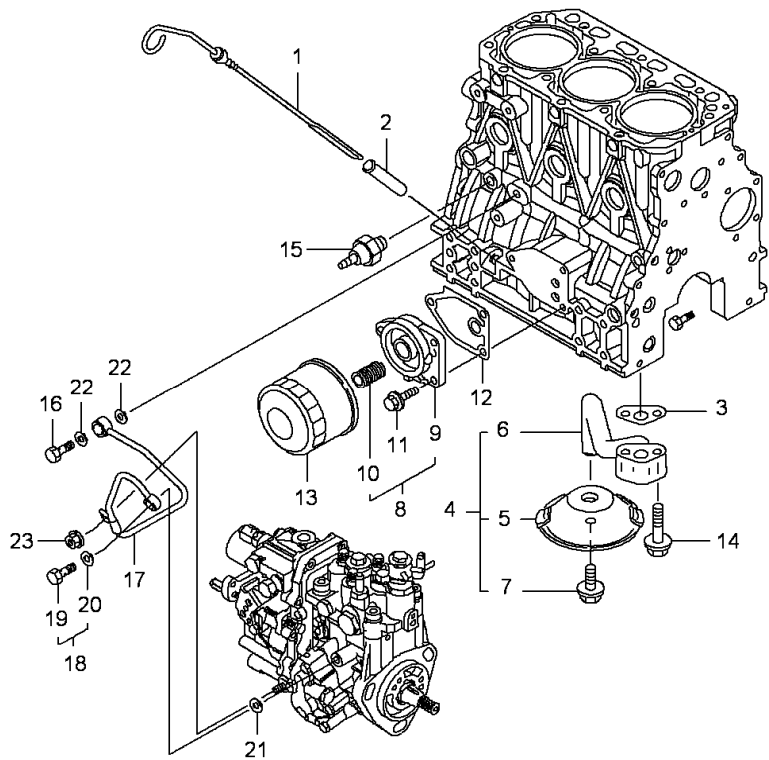
A-05
10



A0510

Lubricating oil pump and delivery housing-oil filter

RS01\00040291.png



		Inglese
1	4216042M1	1 Rod
2	3653306M1	1 Guide
3	3653456M1 ●	1 Gasket
4	4216044M1	1 Kit
5	4216045M1 ! 4	1 Filter
6	4216047M1 ! 4	1 Pipe
7	3653856M1 ! 4	1 Bolt
8	3680224M1	1 Stirrup
9	3677982M1 ! 8	1 Stirrup
10	3680225M1 ! 8	1 Stud
11	3653859M1	3 Bolt
12	3653458M1	1 Gasket
13	4216048M1 ●	1 Filter
14	3653861M1	2 Bolt
15	3664370M1	1 Cutout
16	3653318M1	1 Bolt
17	3680223M1	1 Pipe
18	3678024M1	1 Bolt
19	3665013M1 ! 18	1 Bolt
20	3653808M1 ! 18	1 Washer
21	3653809M1	2 Washer
23	3653876M1	1 Nut

! This is a component of an assembly
● Replacement

Engine

4500 Restyling (2011-2012) - RS01 - 4545

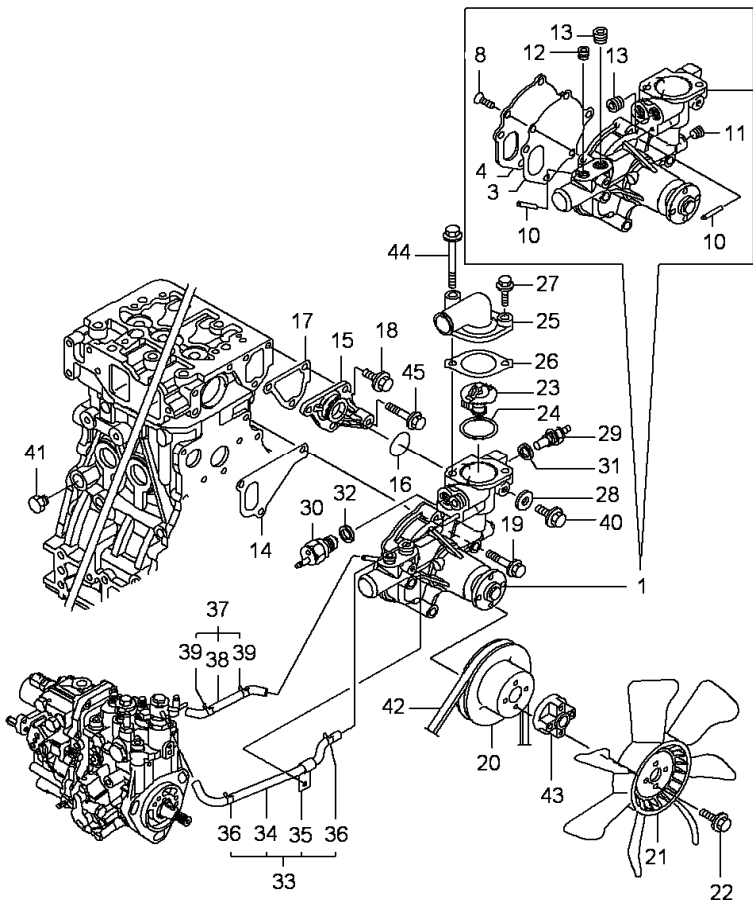
RS01\00040292.png

A-05
11



A0511

Water pump, thermostat and heat exchanger



		Inglese	
1	3680226M1		1 Pump
3	3678031M1	!	1 Gasket
4	3678032M1	!	1 Gasket
8	3678000M1	!	3 Screw
10	3677983M1	!	2 Union
11	3665017M1	!	1 Plug
12	3678308M1	!	1 Plug
13	3678297M1	!	2 Plug
14	3664547M1		1 Gasket
15	3678017M1		1 Gasket
16	3664548M1		1 Ring
17	3664432M1		1 Gasket
18	3653858M1		3 Bolt
19	3653866M1		3 Bolt
20	6504081M1	●	3674556M1(1) 1 Pulley
21	6504039M91		1 Fan
22	4216062M1		4 Bolt
23	4216064M1		1 Thermostat
24	3653463M1		1 Gasket
25	3678009M1		1 Coperch.
26	3653795M1		1 Gasket
27	3653860M1		1 Bolt
28	3653822M1		1 Gasket
29	3653322M1	A	1 Thermometer

Engine

4500 Restyling (2011-2012) - RS01 - 4545

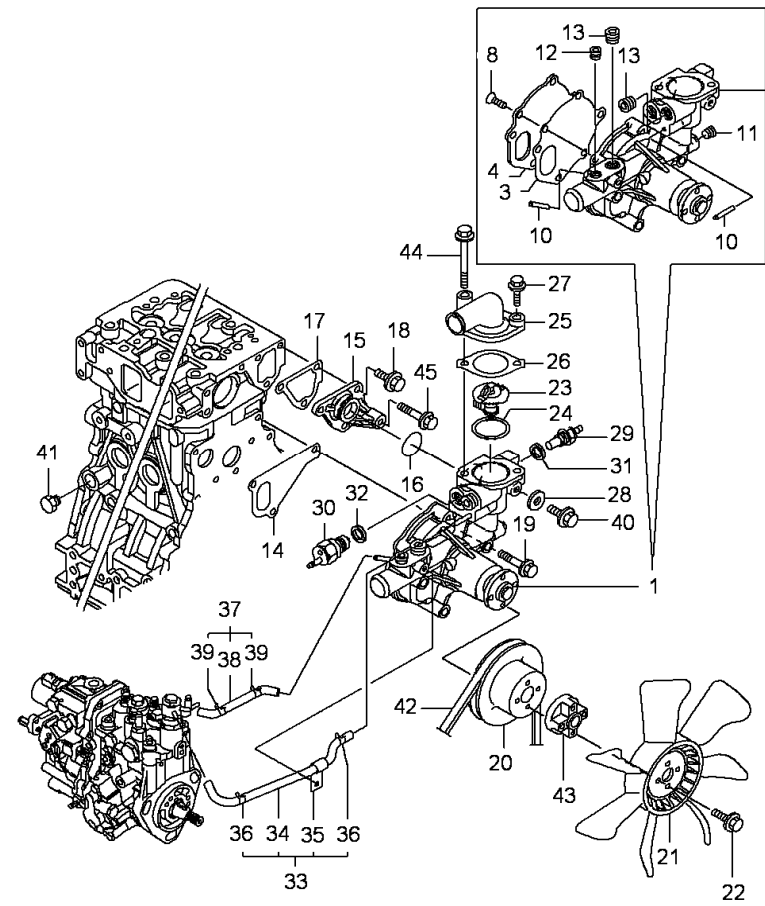
A-05
11



A0511

Water pump, thermostat and heat exchanger

RS01\00040292.png



- 30 3653302M1
 - 31 3653324M1
 - 32 3653462M1
 - 33 3678018M1
 - 34 3678020M1 ! 33
 - 35 3677984M1 ! 33
 - 36 3678010M1 ! 33
 - 37 3678019M1
 - 38 3678021M1 ! 37
 - 39 3678010M1 ! 37
 - 40 3653856M1
 - 41 3653797M1
 - 42 6504083M1 ● 3674602M1(1)
 - 43 6504078M1
 - 44 3653867M1
 - 45 3653863M1
- ! This is a component of an assembly
 ● Replacement
 A Not fitted on this application

Inglese

- 1 Switch, indirect
- 1 Gasket
- 1 Gasket
- 1 Pipe
- 1 Pipe
- 1 Clamp
- 2 Clamp
- 1 Pipe
- 1 Pipe
- 2 Clamp
- 1 Bolt
- 1 Plug
- 1 Belt
- 1 Spacer
- 1 Bolt
- 1 Bolt

Engine

4500 Restyling (2011-2012) - RS01 - 4545

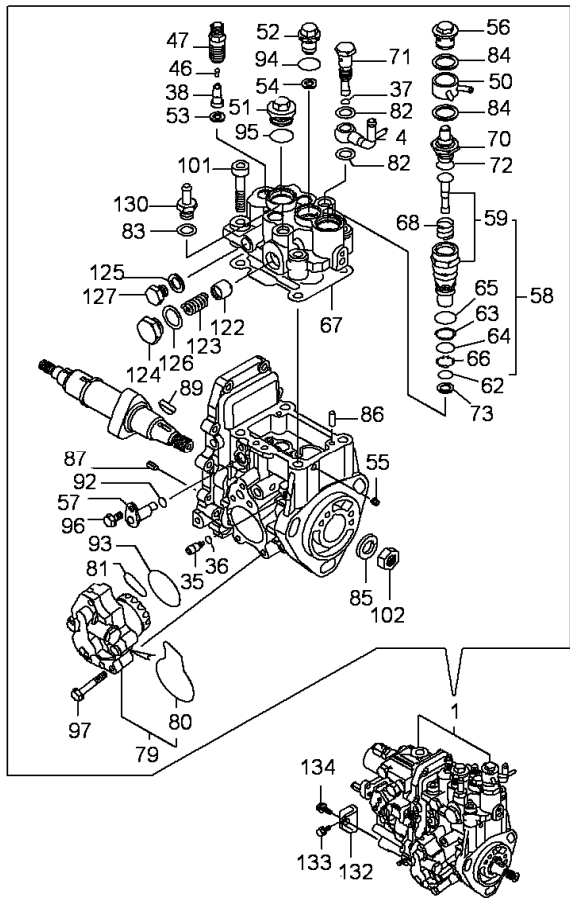
RS01\00040293.png

A-05
12



A0512

Injection pump assy



				Inglese
1	4215963M91			1 Injection pump
4	4215966M1	!	1	1 Union
35	4215971M1	!	1	1 Valve
36	4215977M1	!	1	1 Ring
37	4215977M1	!	1	1 Ring
38	4215978M1	!	1	3 Valve
		●	4215978M2(3)	
46	4215979M1	!	1	3 Spring
47	4215981M1	!	1	3 Body
50	4215982M1	!	1	1 Union
51	4215989M1	!	1	1 Plug
52	4215990M1	!	1	1 Plug
53	4215992M1	!	1	3 Ring
		●	4218274M1(3)	
54	4215992M1	!	1	1 Ring
		●	4218274M1(1)	
55	4215993M1	!	1	1 Plug
56	4215995M1	!	1	1 Plug
57	4215997M1	!	1	1 Kit
58	4215998M1			1 Timer
59	4216011M91	!	58	1 Relay
		●	4215998M91(1)	
62	4216012M1	!	58	1 Ring
63	4216016M1	!	58	1 Ring
64	4216019M1	!	58	1 Ring



Suggest:

For more complete manuals. Please go to the home page.

<https://www.ebooklibonline.com>

If the above button click is invalid. Please download this document first, and then click the above link to download the complete manual.

Thank you so much for reading

Engine

4500 Restyling (2011-2012) - RS01 - 4545

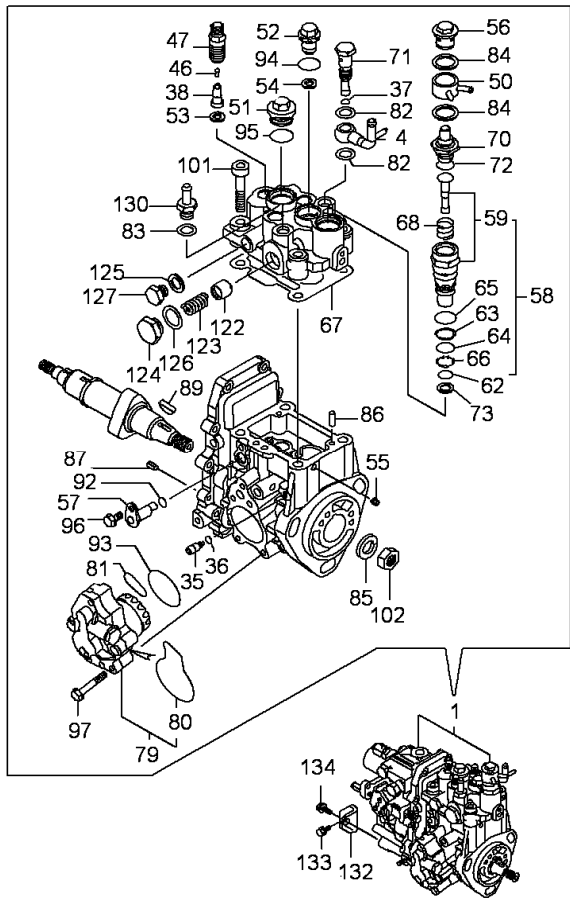
RS01\00040293.png

A-05
12



A0512

Injection pump assy



65	4216020M1	!	58
66	4216025M1	!	58
67	4216026M1	!	1
68	4216032M1	!	1
70	4208760M1	!	1
71	4208761M1	!	1
72	4208762M1	!	1
73	4208763M1	!	1
79	4216078M91	!	1
80	4216079M1	!	79
81	4216080M1	!	1
82	3653810M1	!	1
83	3653810M1	!	1
84	4208895M1	!	1
85	3678300M1	!	1
86	4216922M1	!	1
87	3653817M1	!	1
89	4216085M1	!	1
92	3665019M1	!	1
93	4216278M1	!	1
94	4216088M1	!	1
95	4216020M1	!	1
96	3653851M1	!	1
97	4216089M1	!	1

Inglese

1	Ring
1	Ring
1	Piston head
1	Spring
1	Valve
1	Gasket
1	Gasket
1	Gasket
1	Pump
1	Ring
1	Ring
2	Washer
1	Washer
2	Gasket
1	Spring
2	Pin
2	Dowel
1	Key
1	Ring
1	Ring
1	Ring
1	Ring
1	Ring
1	Bolt
4	Bolt

Engine

4500 Restyling (2011-2012) - RS01 - 4545

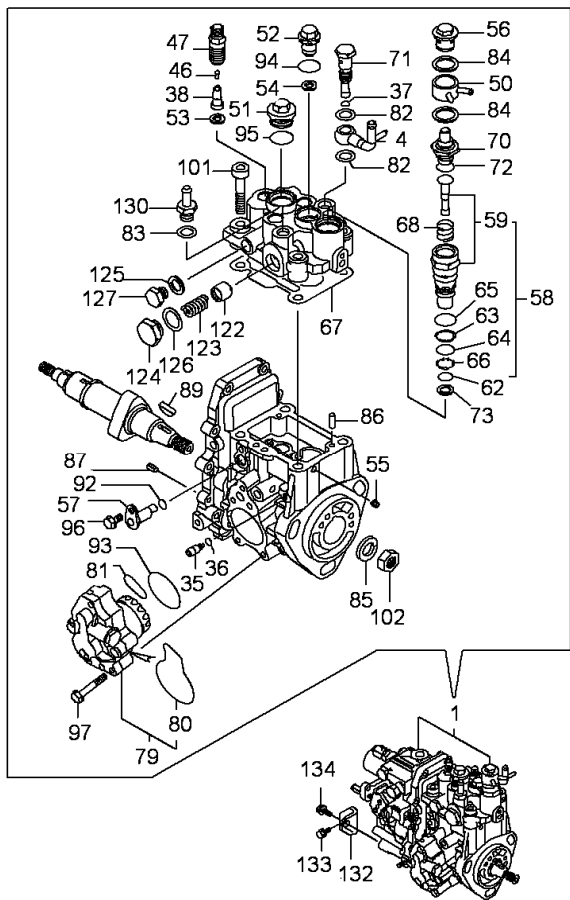
RS01\00040293.png

A-05
12



A0512

Injection pump assy



- 101 4216092M1 ! 1
- 102 3678315M1 ! 1
- 122 4216093M1 ! 1
- 123 4216094M1 ! 1
- 124 4216095M1 ! 1
- 125 3653810M1 ! 1
- 126 4208895M1 ! 1
- 127 4216097M1 ! 1
- 130 4216098M1 ! 1
- 132 3681375M1
- 133 3653858M1
- 134 3653859M1

! This is a component of an assembly
 ● Replacement

Inglese

- 4 Bolt
- 1 Nut
- 1 Piston
- 1 Spring
- 1 Plug
- 1 Washer
- 1 Gasket
- 1 Plug
- 1 Union
- 1 Stirrup
- 1 Bolt
- 1 Bolt

<https://www.ebooklibonline.com>

Hello dear friend!

Thank you very much for reading.

Enter the link into your browser.

The full manual is available for immediate download.

<https://www.ebooklibonline.com>