

Engine

4500 Restyling (2011-2012) - RS01 - 4535

RS01\00040258.png

A-05
01



A0501

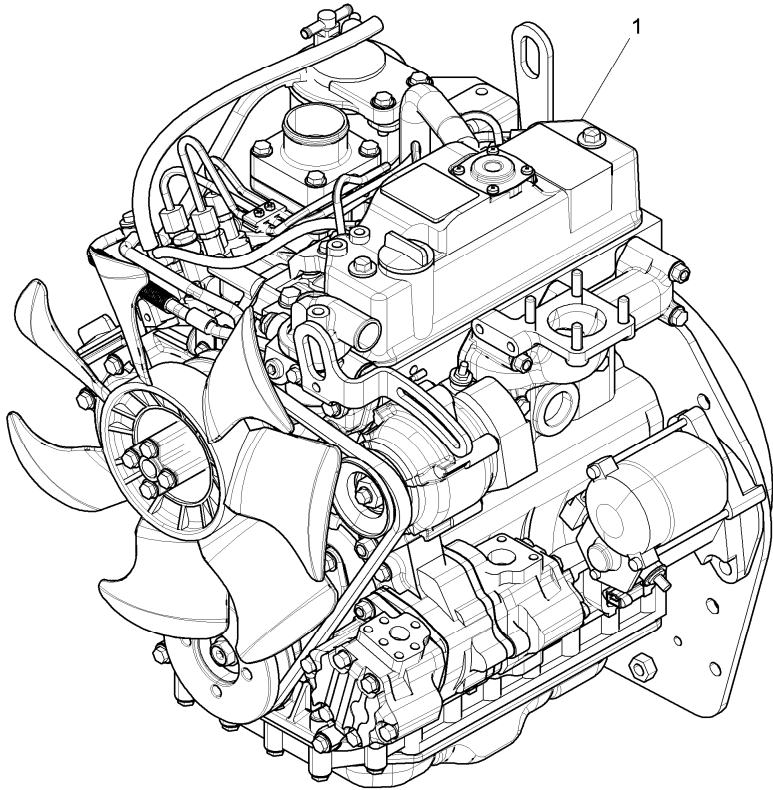
Engine assembly

1 6501628M91

Yanmar 3tnv82
29 cv / 22 kw

Inglese

1 Engine



Engine

4500 Restyling (2011-2012) - RS01 - 4535

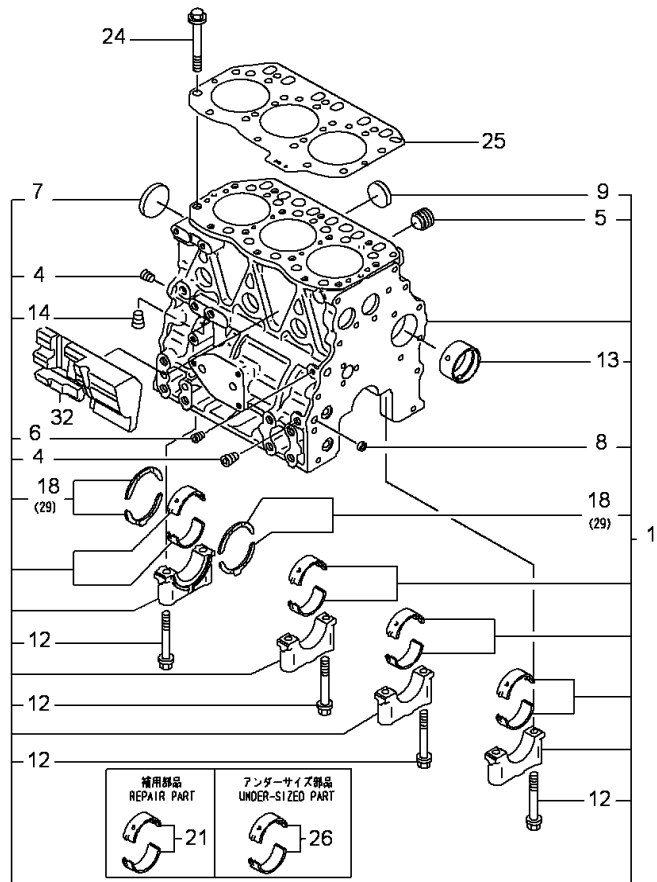
RS01\00040259.png

A-05
02



A0502

Cylinder block



				Inglese
1	4216134M91			1 Kit
4	3653316M1	!	1	2 Plug
5	3653796M1	!	1	1 Plug
6	3678007M1	!	1	1 Plug
7	3664445M1	!	1	1 Plug
8	3653888M1	!	1	2 Plug
9	3653889M1	!	1	6 Plug
		●	3653889M2(6)	
12	4216135M1	!	1	8 Bolt
13	4215962M1	!	1	1 Bush
14	3653316M1	!	1	1 Plug
18	4216136M1	!	1	1 Clamp
21	4216137M1			4 Clamp
24	4216138M1			14 Bolt
25	4216139M1			1 Gasket
26	4216140M1			4 Clamp
29	4216141M1			2 Clamp
32	4216142M1			1 Spacer

! This is a component of an assembly
 ● Replacement

Engine

4500 Restyling (2011-2012) - RS01 - 4535

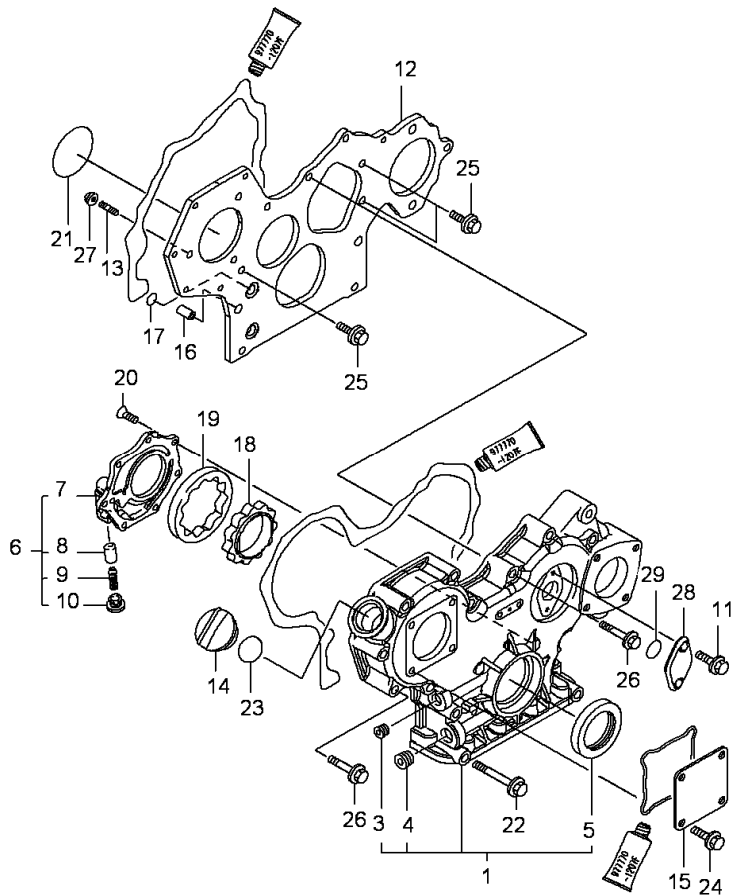
RS01\00040260.png

A-05
03



A0503

Distribution cover



- 1 3680176M1
- 3 3665018M1 ! 1
- 4 3678309M1 ! 1
- 5 4216143M1 ! 1
- 6 3677980M1
- 7 3677979M1 ! 6
- 8 3678295M1 ! 6
- 9 3678043M1 ! 6
- 10 3678013M1 ! 6
- 11 3653853M1
- 12 3678023M1
- 13 4215973M1
- 14 3653315M1
- 15 3653320M1
- 16 3653789M1
- 17 3677944M1
- 18 3680177M1
- 19 3680178M1
- 20 3677981M1
- 21 3653310M1
- 22 3664450M1
- 23 3653835M1
- 24 3653858M1
- 25 3653858M1

Inglese

- 1 Coperch.
- 1 Plug
- 1 Plug
- 1 Seal
- 1 Coperch.
- 1 Coperch.
- 1 Valve
- 1 Spring
- 1 Plug
- 2 Bolt
- 1 Flange
- 3 Bolt
- 1 Plug
- 1 Coperch.
- 2 Bush
- 4 Ring
- 1 Rotor
- 1 Rotor
- 7 Screw
- 1 Ring
- 3 Bolt
- 1 Ring
- 4 Bolt
- 3 Bolt

<https://www.ebooklibonline.com>

Hello dear friend!

Thank you very much for reading.

Enter the link into your browser.

The full manual is available for immediate download.

<https://www.ebooklibonline.com>

Engine

4500 Restyling (2011-2012) - RS01 - 4535

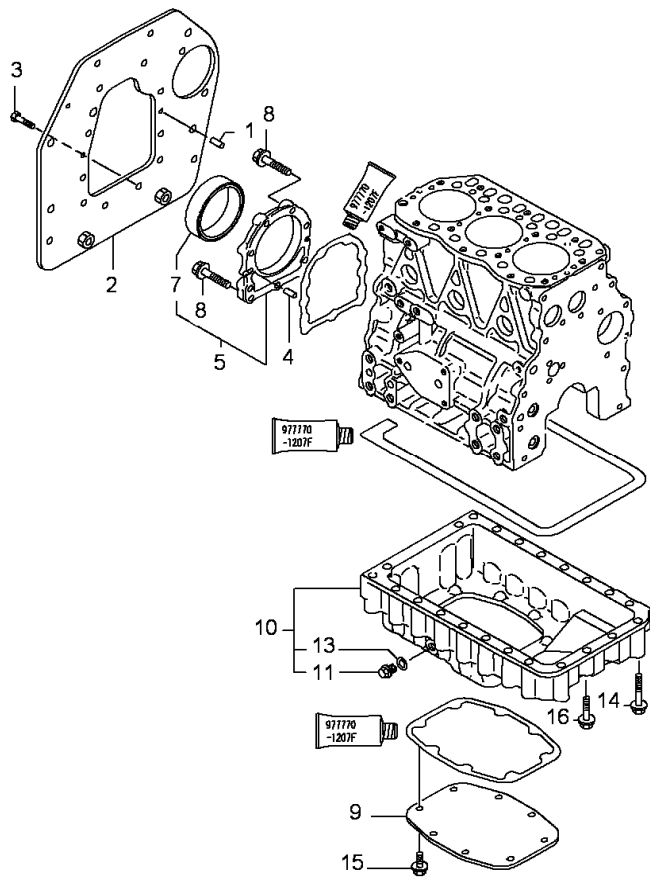
RS01\00040261.png

A-05
04



A0504

Lubricating oil pump and delivery housing



- 1 3653378M1
- 2 4216144M1
- 3 3653872M1
- 4 3653378M1
- 5 3653379M1
- 7 3653787M1
- 8 3653772M1
- 9 4216146M1
- 10 4216147M1
- 11 4216148M1
- 13 3653810M1
- 14 3664449M1
- 15 3653856M1
- 16 3653865M1

- 4206673M1(1)
- ! 5
- 3653787M2(1)

Inglese

- 2 Dowel
- 1 Flange
- 10 Bolt
- 2 Dowel
- 1 Housing
- 1 Seal
- 9 Bolt
- 1 Coperch.
- 1 Pan
- 1 Plug
- 1 Washer
- 20 Bolt
- 8 Bolt
- 2 Bolt

- ! This is a component of an assembly
- Replacement

Engine

4500 Restyling (2011-2012) - RS01 - 4535

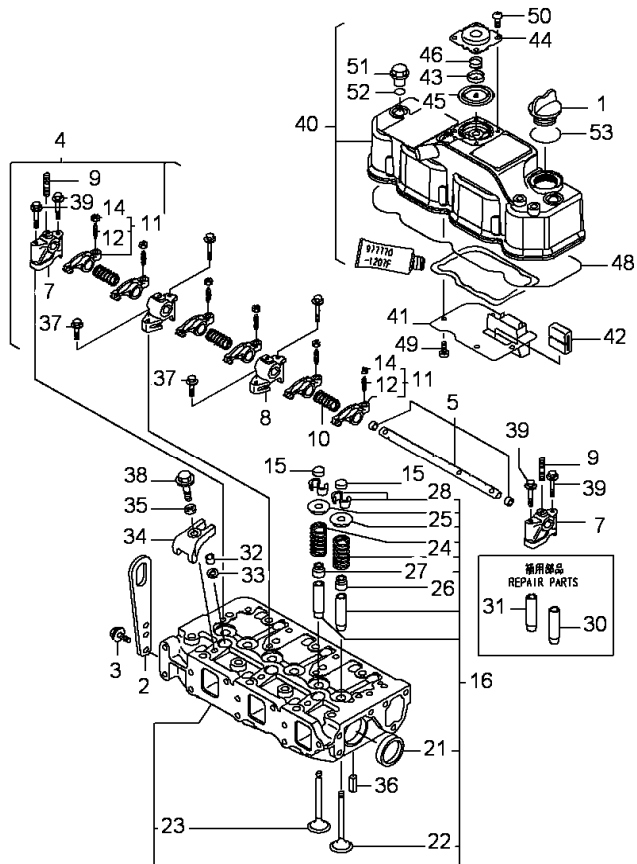
RS01\00040262.png

A-05
05



A0505

Cylinder head-rocker shaft



- | | | | |
|----|------------|---|----|
| 1 | 3653315M1 | | |
| 2 | 3664580M1 | | |
| 3 | 3653858M1 | | |
| 4 | 4216149M91 | | |
| 5 | 4216150M91 | ! | 4 |
| 7 | 3680185M1 | ! | 4 |
| 8 | 3680186M1 | ! | 4 |
| 9 | 3681374M1 | ! | 4 |
| 10 | 3681374M1 | ! | 4 |
| 11 | 4216151M91 | ! | 4 |
| 12 | 3653439M1 | ! | 11 |
| 14 | 3653444M1 | ! | 11 |
| 15 | 4216152M1 | | |
| 16 | 4216153M91 | | |
| 21 | 3653890M1 | ! | 16 |
| 22 | 4216154M1 | ! | 16 |
| 23 | 4216155M1 | ! | 16 |
| 24 | 4216156M1 | ! | 16 |
| 25 | 4216157M1 | ! | 16 |
| 26 | 3679667M1 | ! | 16 |
| 27 | 4216158M1 | ! | 16 |
| 28 | 3679670M1 | ! | 16 |
| 30 | 4216161M1 | | |
| 31 | 4216162M1 | | |

Inglese

- | | |
|---|---------------|
| 1 | Plug |
| 1 | Cam |
| 2 | Bolt |
| 1 | Shaft |
| 1 | Shaft |
| 2 | Support |
| 2 | Support |
| 3 | Stud |
| 3 | Stud |
| 6 | Cam |
| 6 | Screw |
| 6 | Nut |
| 6 | Plug |
| 1 | Cylinder head |
| 2 | Plug |
| 3 | Valve |
| 3 | Valve |
| 6 | Spring |
| 6 | Spring |
| 3 | Ring |
| 3 | Ring |
| 6 | Dowel |
| 3 | Guide |
| 3 | Guide |

Engine

4500 Restyling (2011-2012) - RS01 - 4535

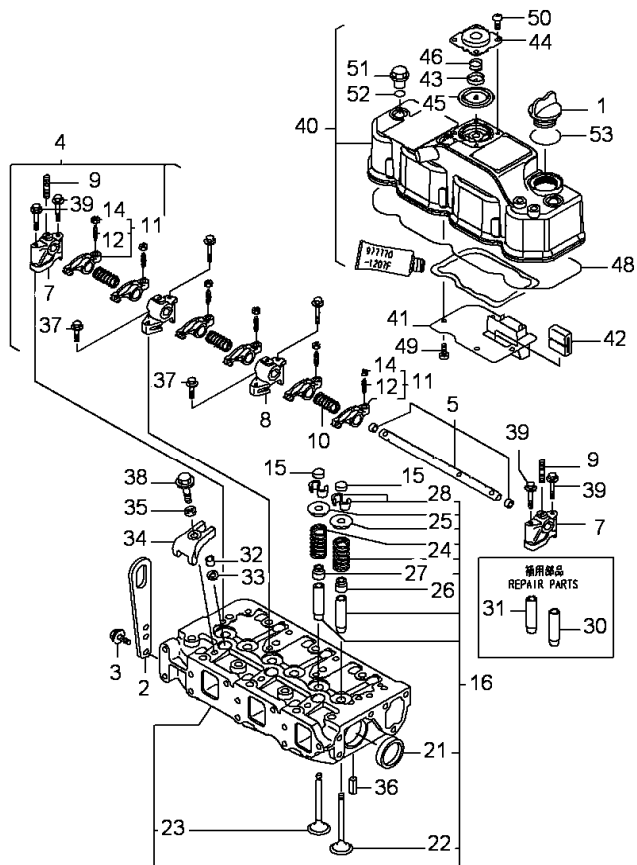
RS01\00040262.png

A-05
05



A0505

Cylinder head-rocker shaft



- 32 3677971M1
- 33 3653266M1
- 34 6509045M1
- 35 3680183M1
- 36 3653818M1
- 37 3653860M1
- 38 3653863M1
- 39 3653864M1
- 40 4216163M91
- 41 4216164M1 ! 40
- 42 3653435M1 ! 40
- 43 3680210M1 ! 40
- 44 4215999M1 ! 40
- 45 3680212M1 ! 40
- 46 4216001M1 ! 40
- 48 4216170M1 ! 40
- 49 3665010M1 ! 40
- 50 3665010M1 ! 40
- 51 3653317M1
- 52 3653831M1
- 53 3653835M1

Inglese

- 3 Guard
- 3 Washer
- 3 Stirrup
- 3 Washer
- 2 Pin
- 2 Bolt
- 3 Bolt
- 6 Bolt
- 1 Coperch.
- 1 Plate
- 1 Guard
- 1 Plate
- 1 Coperch.
- 1 Diaphragm
- 1 Spring
- 1 Gasket
- 4 Screw
- 4 Screw
- 3 Plug
- 3 Ring
- 1 Ring

! This is a component of an assembly

Engine

4500 Restyling (2011-2012) - RS01 - 4535

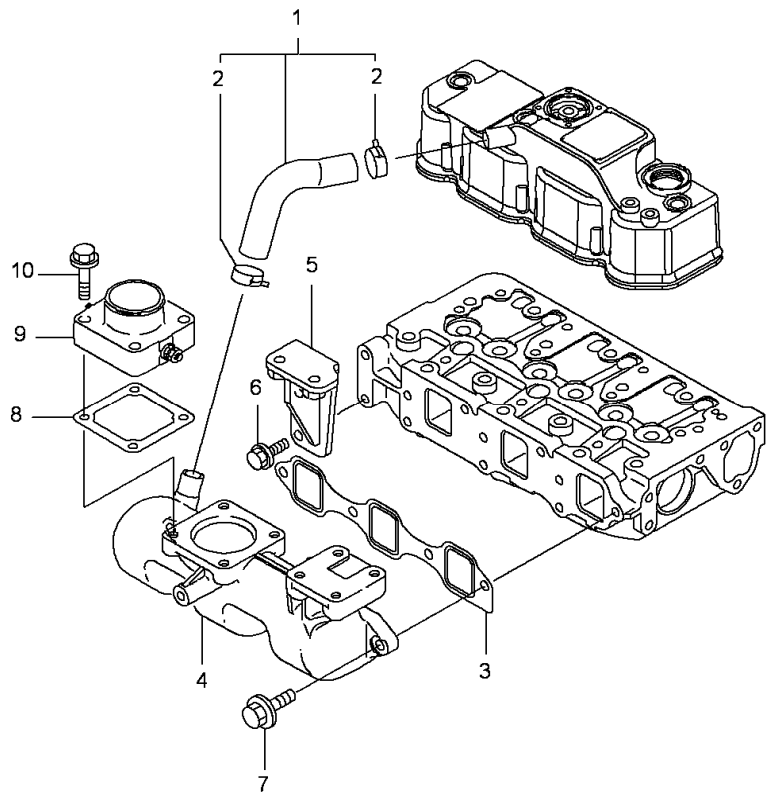
RS01\00040278.png

A-05
06



A0506

Induction manifold



- 1 4216171M91
- 2 3680216M1 ! 1
- 3 4216173M1
- 4 4216174M1
- 5 4216175M1
- 6 3653858M1
- 7 3653860M1
- 8 3653467M1
- 9 4216176M1
- 10 3653861M1

! This is a component of an assembly

Inglese

- 1 Pipe
- 2 Clamp
- 1 Gasket
- 1 Manifold
- 1 Stirrup
- 2 Bolt
- 4 Bolt
- 1 Gasket
- 1 Heater
- 4 Bolt

Engine

4500 Restyling (2011-2012) - RS01 - 4535

RS01\00040263.png

A-05
07

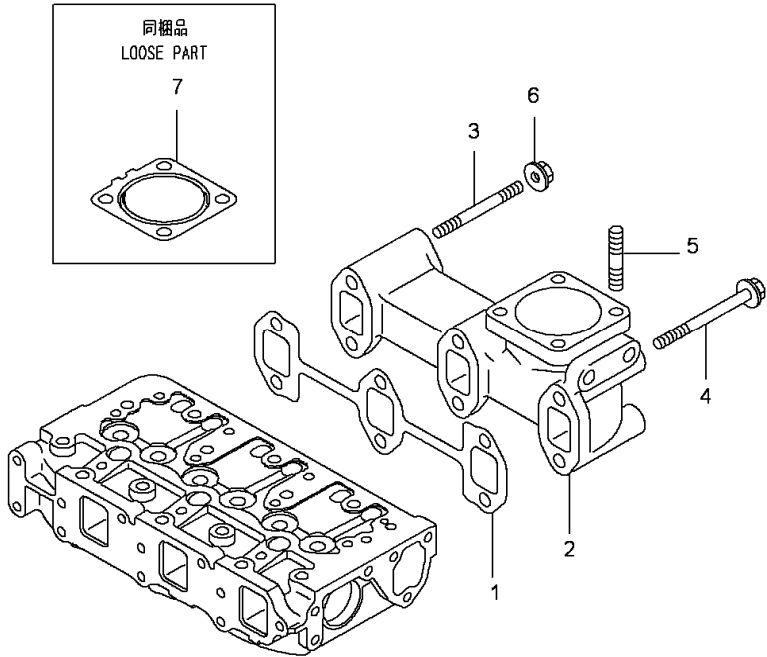


A0507

Exhaust manifold

Inglese

- | | | | | | |
|---|-------------|---|--------------|---|----------|
| 1 | 4216177M1 | ● | 3677987M2(1) | 1 | Gasket |
| 2 | 6502866M1 | | | 2 | Manifold |
| 3 | 4216179M1 | | | 1 | Bolt |
| 4 | 4216180M1 | | | 4 | Bolt |
| 5 | 3653262M1 | | | 4 | Bolt |
| 6 | 3666905M1 | | | 2 | Nut |
| 7 | 3681381M1 | | | 1 | Gasket |
| ● | Replacement | | | | |



Engine

4500 Restyling (2011-2012) - RS01 - 4535

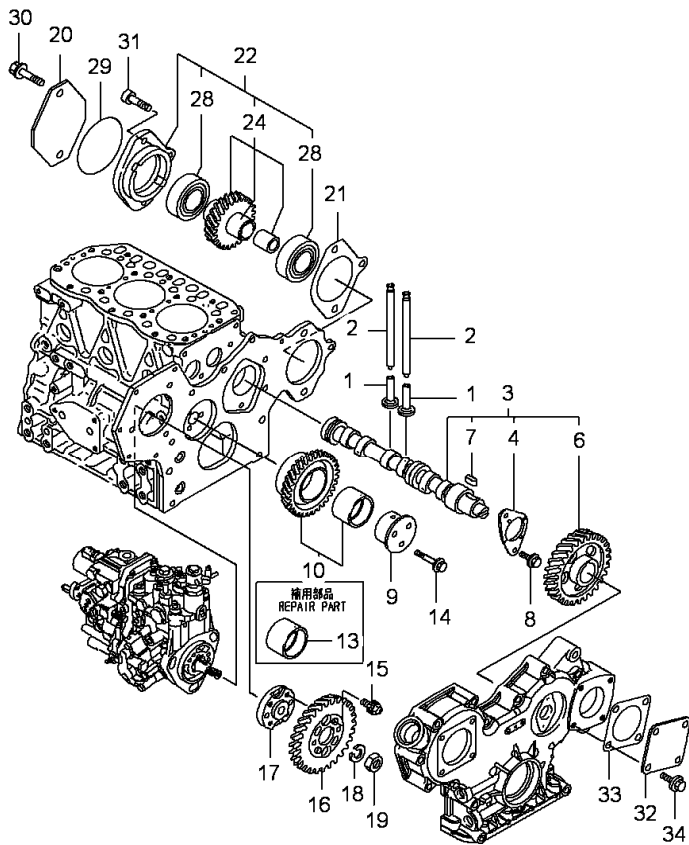
RS01\00040264.png

A-05
08



A0508

Timing gear and camshaft



- 1 3653447M1
- 2 4216181M1
- 3 4216182M91
- 4 3653430M1 ! 3
- 6 3653446M1 ! 3
- 7 3653820M1 ! 3
- 8 3653857M1
- 9 3677975M1
- 10 4216017M91
- 13 4216018M1
- 14 3653862M1
- 15 3664454M1
- 16 3677978M1
- 17 3678298M1
- 18 3678300M1
- 19 3678315M1
- 20 3653300M1
- 21 3653800M1
- 22 3653363M1
- 24 3653364M1 ! 22
- 28 3653830M1 ! 22
- 29 3653839M1
- 30 3653869M1
- 31 3653879M1

Inglese

- 6 Tappet
- 6 Rod
- 1 Shaft
- 1 Plate
- 1 Gear
- 1 Key
- 2 Bolt
- 1 Shaft
- 1 Gear
- 1 Bush
- 3 Bolt
- 4 Screw
- 1 Gear
- 1 Flange
- 1 Spring
- 1 Nut
- 1 Coperch.
- 1 Gasket
- 1 Kit
- 1 Gear
- 2 Bearing
- 1 Ring
- 2 Bolt
- 1 Bolt

Engine

4500 Restyling (2011-2012) - RS01 - 4535

A-05
08



A0508

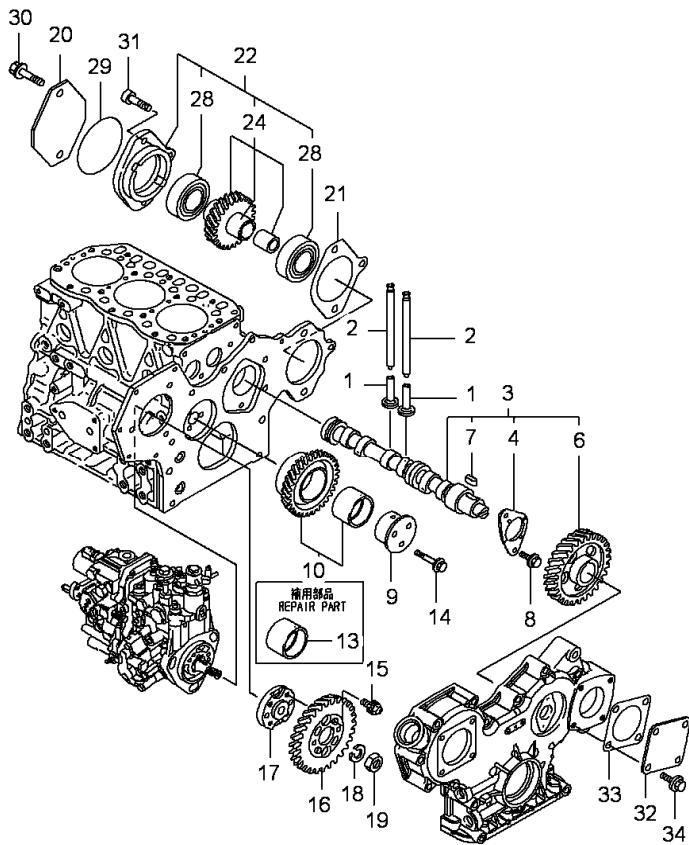
Timing gear and camshaft

RS01\00040264.png

Inglese

- 32 3653320M1
 - 33 3653321M1
 - 34 3653858M1
- 1 Coperch.
 - 1 Gasket
 - 4 Bolt

! This is a component of an assembly



Engine

4500 Restyling (2011-2012) - RS01 - 4535

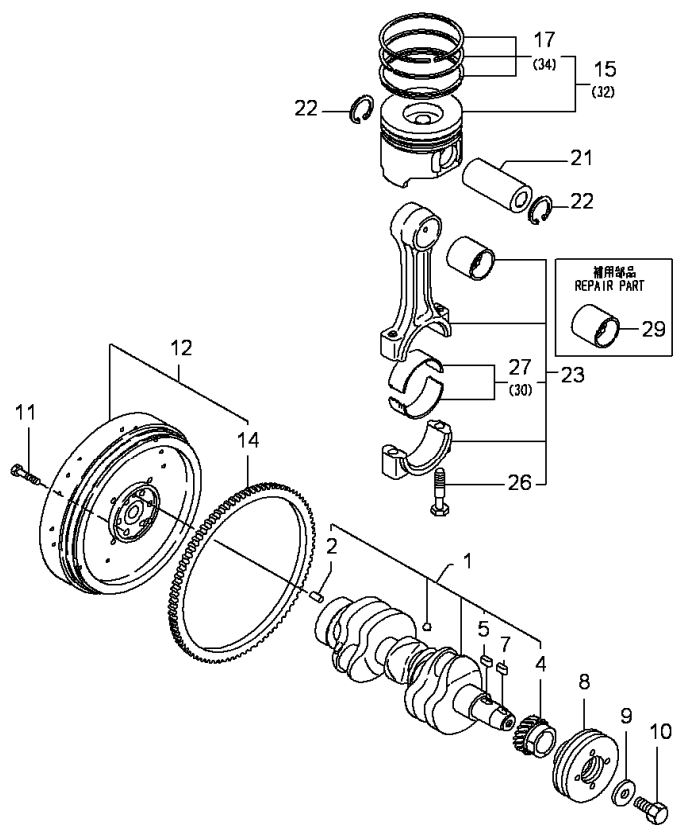
RS01\00040265.png

A-05
09



A0509

Crankshaft, pistons and connecting rods



- | | | | |
|----|------------|---|----|
| 1 | 4216191M91 | | |
| 2 | 3653378M1 | ! | 1 |
| 4 | 4206674M1 | ! | 1 |
| 5 | 3653820M1 | ! | 1 |
| 7 | 3653820M1 | | |
| 8 | 4216192M1 | | |
| 9 | 3653794M1 | | |
| 10 | 3653309M1 | | |
| 11 | 3653301M1 | | |
| 12 | 4216193M91 | | |
| 14 | 3653297M1 | ! | 12 |
| 15 | 4216194M91 | | |
| 17 | 4216195M91 | ! | 15 |
| 21 | 4216196M1 | | |
| 22 | 4216197M1 | | |
| 23 | 4216198M91 | | |
| 26 | 4216199M1 | ! | 23 |
| 27 | 4216200M1 | ! | 23 |
| 29 | 4216208M1 | | |
| 30 | 4216209M1 | | |
| 32 | 4216211M91 | | |
| 34 | 4216212M91 | ! | 32 |

Inglese

- | | |
|---|------------|
| 1 | Shaft |
| 1 | Dowel |
| 1 | Gear |
| 1 | Key |
| 1 | Key |
| 1 | Pulley |
| 1 | Washer |
| 1 | Bolt |
| 6 | Bolt |
| 1 | Flywheel |
| 1 | Crownwheel |
| 3 | Piston |
| 1 | Kit |
| 3 | Cotter |
| 6 | Cotter |
| 3 | Conrod |
| 2 | Bolt |
| 1 | Bearing |
| 3 | Bush |
| 3 | Bearing |
| 3 | Piston |
| 1 | Kit |

! This is a component of an assembly

Engine

4500 Restyling (2011-2012) - RS01 - 4535

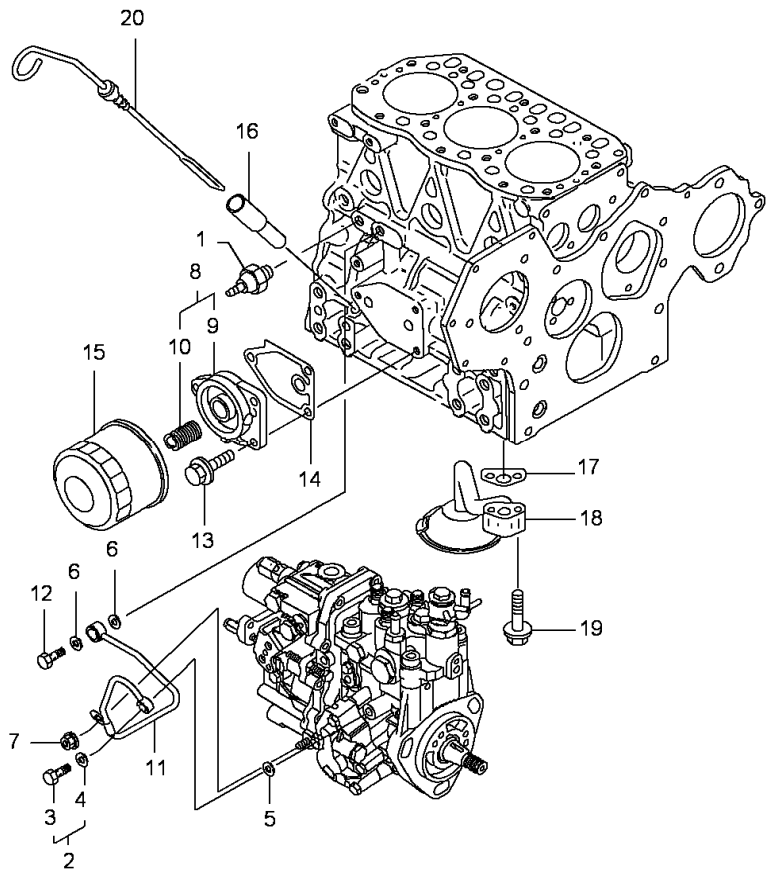
RS01\00040266.png

A-05
10



A0510

Lubricating oil pump and delivery housing-oil filter



- | | | | |
|----|-----------|---|--------------|
| 1 | 3664370M1 | | |
| 2 | 3678024M1 | | |
| 3 | 3665013M1 | ! | 2 |
| 4 | 3653808M1 | ! | 2 |
| 5 | 3653809M1 | | |
| 6 | 3653809M1 | | 2 |
| 7 | 3653876M1 | | |
| 8 | 3680224M1 | | |
| 9 | 3677982M1 | ! | 8 |
| 10 | 3680225M1 | ! | 8 |
| 11 | 3680223M1 | | |
| 12 | 3653318M1 | | |
| 13 | 3653859M1 | | |
| 14 | 3653458M1 | | |
| 15 | 4216048M1 | ● | 3678034M2(1) |
| 16 | 3653306M1 | | |
| 17 | 3653456M2 | | |
| 18 | 4216228M1 | | |
| 19 | 3653861M1 | | |
| 20 | 6509058M1 | | |

Inglese

- | | |
|---|---------|
| 1 | Cutout |
| 1 | Bolt |
| 1 | Bolt |
| 1 | Washer |
| 1 | Washer |
| 2 | Washer |
| 1 | Nut |
| 1 | Stirrup |
| 1 | Stirrup |
| 1 | Stud |
| 1 | Pipe |
| 1 | Bolt |
| 3 | Bolt |
| 1 | Gasket |
| 1 | Filter |
| 1 | Guide |
| 1 | Gasket |
| 1 | Pipe |
| 2 | Bolt |
| 1 | Rod |

! This is a component of an assembly
● Replacement

Engine

4500 Restyling (2011-2012) - RS01 - 4535

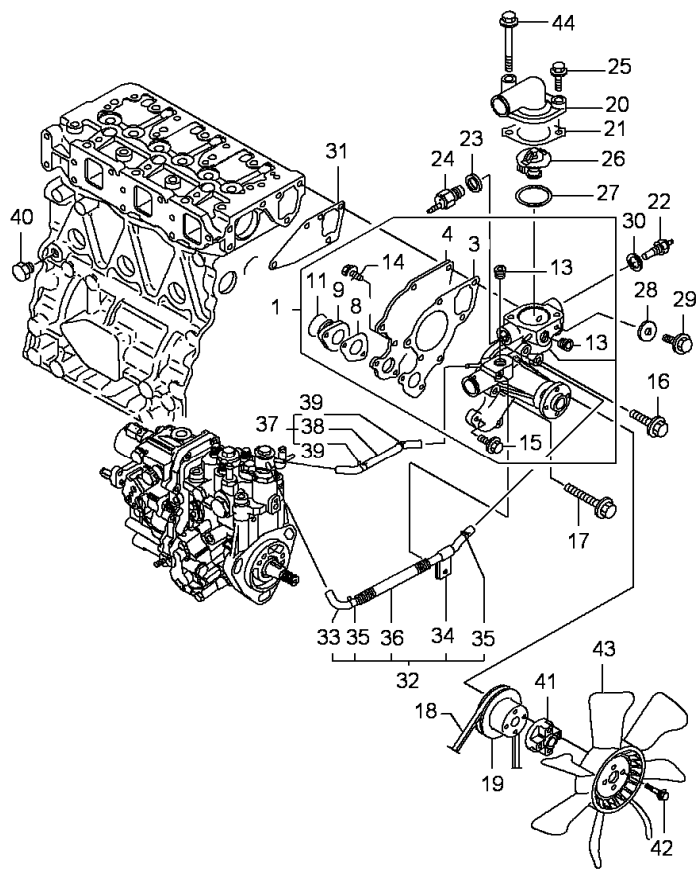
A-05
11



A0511

Water pump, thermostat and heat exchanger

RS01\00040267.png



- 1 4216252M91
- 3 4216254M1 ! 1
- 4 4216255M1 ! 1
- 8 4216256M1 ! 1
- 9 4216258M1 ! 1
- 11 4216259M1 ! 1
- 13 3665018M1 ! 1
- 14 3653852M1 ! 1
- 15 3653854M1 ! 1
- 16 3653861M1
- 17 3653864M1
- 18 6509544M1
- 19 3674556M1
- 20 3678009M1
- 21 3653795M1
- 22 3653322M1 A
- 23 3653462M1
- 24 3653302M1
- 25 3653860M1
- 26 4216064M1
- 27 3653463M1
- 28 3653822M1
- 29 3653856M1
- 30 3653324M1

Inglese

- 1 Pump
- 1 Rod
- 1 Stirrup
- 1 Gasket
- 1 Pipe
- 1 Ring
- 2 Plug
- 2 Screw
- 2 Bolt
- 1 Bolt
- 3 Bolt
- 1 Belt
- 1 Pulley
- 1 Coperch.
- 1 Gasket
- 1 Thermometer
- 1 Gasket
- 1 Switch, indirect
- 1 Bolt
- 1 Thermostat
- 1 Gasket
- 1 Gasket
- 1 Bolt
- 1 Gasket

Engine

4500 Restyling (2011-2012) - RS01 - 4535

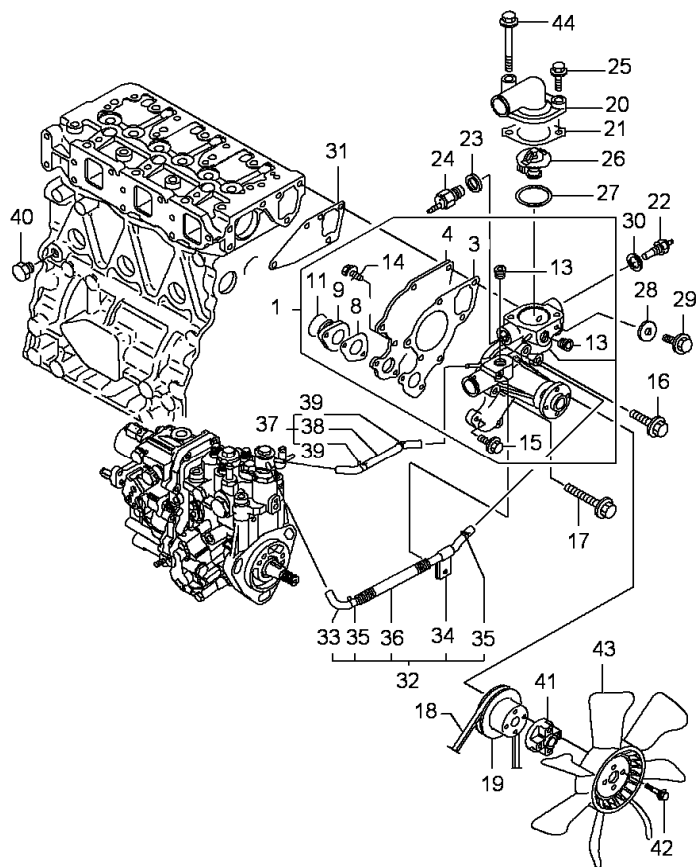
A-05
11



A0511

Water pump, thermostat and heat exchanger

RS01\00040267.png



		Inglese
31	4216263M1	1 Gasket
32	4216264M91	1 Pipe
33	4216265M91 !	1 Pipe
34	3677984M1 !	1 Clamp
35	3678010M1 !	2 Clamp
36	4216266M1 !	1 Pipe
37	4216267M91	1 Pipe
38	4216370M1 !	1 Pipe
39	3678010M1 !	2 Clamp
40	3653797M1	1 Plug
41	4216271M1	1 Spacer
42	3666893M1	4 Bolt
43	4218040M1	1 Fan
44	3653867M1	1 Bolt

! This is a component of an assembly

A Not fitted on this application

Engine

4500 Restyling (2011-2012) - RS01 - 4535

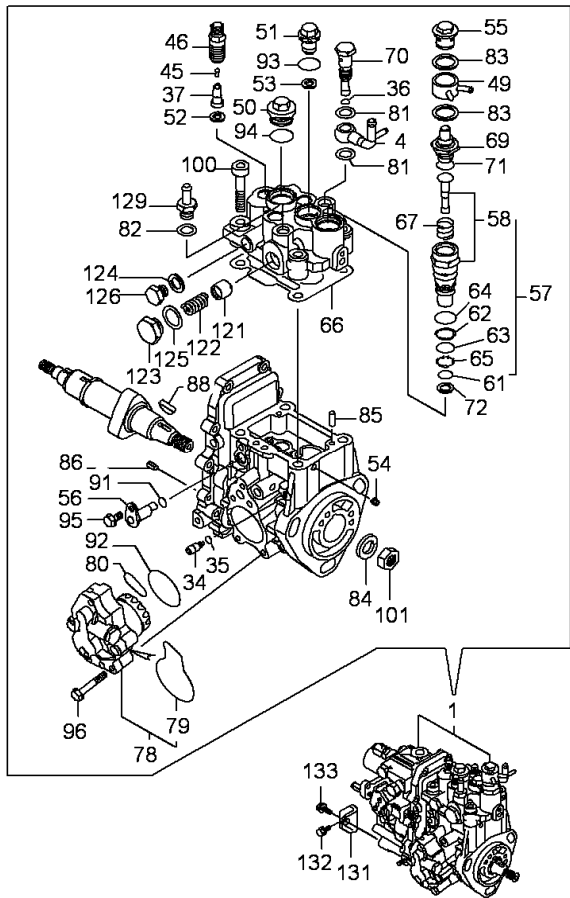
RS01\00040268.png

A-05
12



A0512

Injection pump assy



				Inglese
1	4216272M91			1 Injection pump
4	4215966M1	!	1	1 Union
34	4215971M1	!	1	1 Valve
35	4215977M1	!	1	1 Ring
36	4215977M1	!	1	1 Ring
37	4216273M1	!	1	3 Valve
45	4215979M1	!	1	3 Spring
46	4216274M1	!	1	3 Body
49	4215982M1	!	1	1 Union
50	4215989M1	!	1	1 Plug
51	4215990M1	!	1	1 Plug
52	4215992M1	!	1	3 Ring
		●	4218274M1(3)	
53	4215992M1	!	1	1 Ring
		●	4218274M1(1)	
54	4215993M1	!	1	1 Plug
55	4215995M1	!	1	1 Plug
56	4215997M1	!	1	1 Kit
57	4215998M91	!	1	1 Relay
58	4216011M91	!	57	1 Relay
		●	4215998M91(1)	
61	4216012M1	!	57	1 Ring
62	4216016M1	!	57	1 Ring
63	4216019M1	!	57	1 Ring
64	4216020M1	!	57	1 Ring

Engine

4500 Restyling (2011-2012) - RS01 - 4535

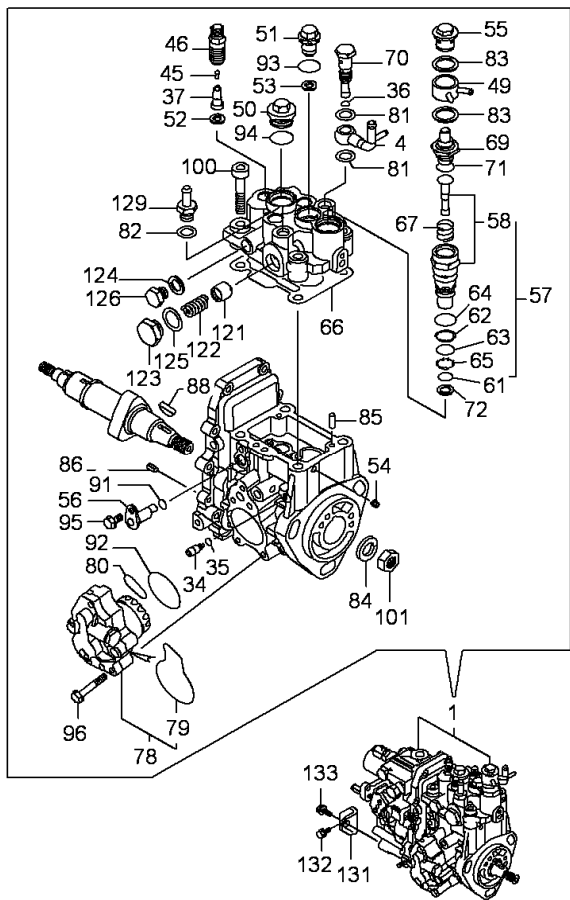
RS01\00040268.png

A-05
12



A0512

Injection pump assy



65	4216025M1	!	57
66	4216026M1	!	1
67	4216032M1	!	1
69	4208760M1	!	1
70	4208761M1	!	1
71	4208762M1	!	1
72	4208763M1	!	1
78	4216078M91	!	1
79	4216079M1	!	78
80	4216080M1	!	1
81	3653810M1	!	1
82	3653810M1	!	1
83	4208895M1	!	1
84	3678300M1	!	1
85	4216922M1	!	1
86	3653817M1	!	1
88	4216085M1	!	1
91	3665019M1	!	1
92	4216278M1	!	1
93	4216088M1	!	1
94	4216020M1	!	1
95	3653851M1	!	1
96	4216089M1	!	1
100	4216092M1	!	1

Inglese

1	Ring
1	Piston head
1	Spring
1	Valve
1	Gasket
1	Gasket
1	Gasket
1	Pump
78	Ring
1	Ring
1	Ring
2	Washer
1	Washer
2	Gasket
1	Spring
2	Pin
2	Dowel
1	Key
1	Ring
1	Ring
1	Ring
1	Ring
1	Bolt
4	Bolt
4	Bolt



Suggest:

For more complete manuals. Please go to the home page.

<https://www.ebooklibonline.com>

If the above button click is invalid. Please download this document first, and then click the above link to download the complete manual.

Thank you so much for reading

Engine

4500 Restyling (2011-2012) - RS01 - 4535

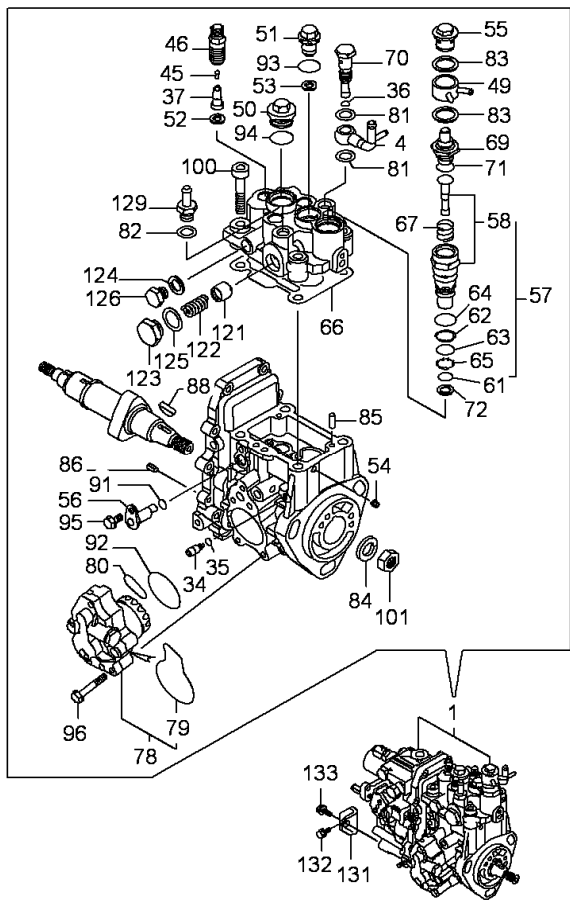
RS01\00040268.png

A-05
12



A0512

Injection pump assy



- 101 3678315M1 ! 1
- 121 4216093M1 ! 1
- 122 4216094M1 ! 1
- 123 4216095M1 ! 1
- 124 3653810M1 ! 1
- 125 4208895M1 ! 1
- 126 4216097M1 ! 1
- 129 4216098M1 ! 1
- 131 3681375M1
- 132 3653858M1
- 133 3653859M1

! This is a component of an assembly
 Replacement

Inglese

- 1 Nut
- 1 Piston
- 1 Spring
- 1 Plug
- 1 Washer
- 1 Gasket
- 1 Plug
- 1 Union
- 1 Stirrup
- 1 Bolt
- 1 Bolt

Engine

4500 Restyling (2011-2012) - RS01 - 4535

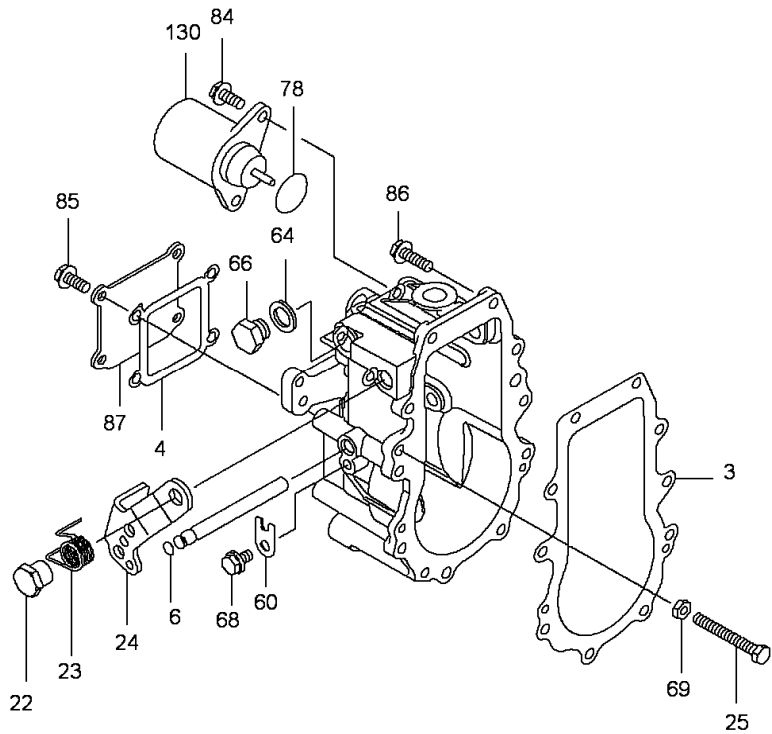
RS01\00040269.png

A-05
13



A0513

Fuel cut off



- 3 4216099M1
- 4 4216099M1
- 6 3653478M1
- 22 4216101M1
- 23 4216102M1
- 24 4216103M1
- 25 3653725M1
- 60 3653269M1
- 64 4216104M1
- 66 4216097M1
- 68 3653851M1
- 69 3653883M1
- 78 4216105M1
- 84 3653852M1
- 85 3653852M1
- 86 3653854M1
- 87 4216107M1
- 130 3653268M1

Inglese

- 1 Gasket
- 1 Gasket
- 1 Ring
- 1 Plug
- 1 Spring
- 1 Lever
- 1 Bolt
- 1 Clip
- 1 Washer
- 1 Plug
- 1 Bolt
- 1 Nut
- 1 Ring
- 2 Screw
- 4 Screw
- 10 Bolt
- 1 Plug
- 1 Solenoid

<https://www.ebooklibonline.com>

Hello dear friend!

Thank you very much for reading.

Enter the link into your browser.

The full manual is available for immediate download.

<https://www.ebooklibonline.com>