

Engine

4500 Restyling (2011-2012) - RS01 - 4525

RS01\00040250.png

A-05  
01



A0501

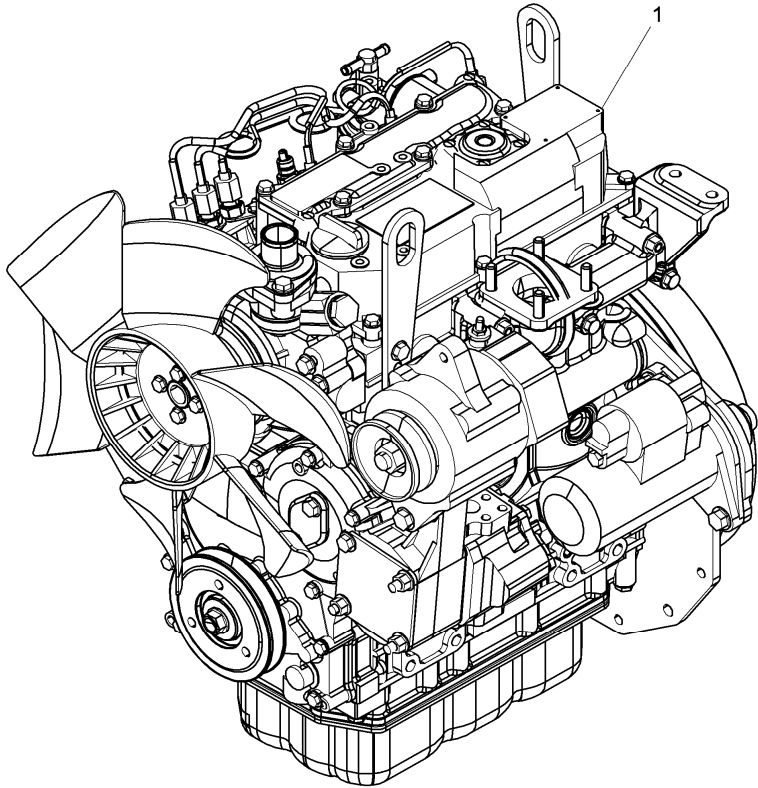
Engine assembly

Inglese

1 3690146M91

Yanmar 3tnv76  
25 cv / 18 kw

1 Engine



Engine

4500 Restyling (2011-2012) - RS01 - 4525

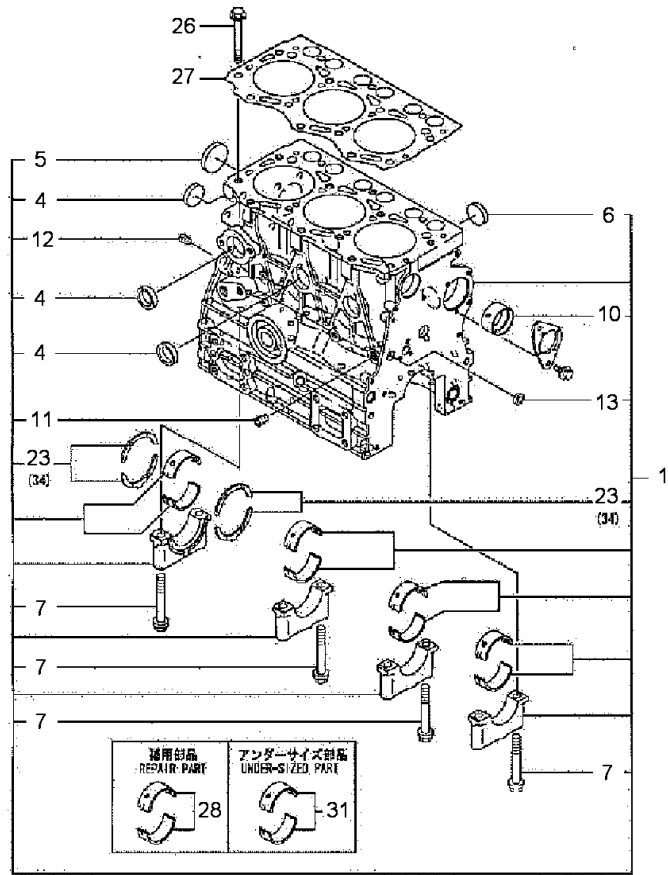
RS01\00040230.png

A-05  
02



A0502

Cylinder block



- 1 4217895M91
- 4 4217896M1
- 5 4217897M1
- 6 4217898M1
- 7 4216135M1
- 10 4217899M1
- 11 3678007M1
- 12 3653316M1
- 13 3653888M1
- 23 4217900M1
- 26 4216138M1
- 27 4217901M1
- 28 4217902M91
- 31 4217903M91
- 34 4216141M1

Inglese

- 1 Kit
- 2 Coperch.
- 1 Plug
- 3 Retainer
- 8 Bolt
- 1 Bush
- 1 Plug
- 1 Plug
- 1 Plug
- 2 Bandage
- 14 Bolt
- 1 Gasket
- 4 Kit
- 4 Kit
- Clamp

Engine

4500 Restyling (2011-2012) - RS01 - 4525

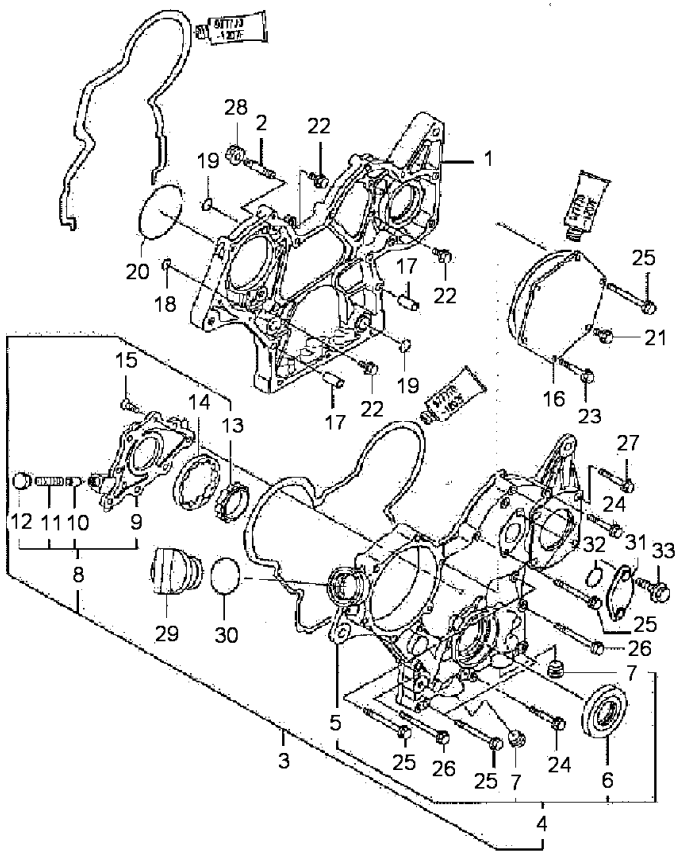
RS01\00040232.png

A-05  
03



A0503

Distribution cover



- 1 4217904M1
- 2 4217905M1
- 3 4217906M91
- 4 4217907M91
- 5 4217908M1
- 6 4217909M1
- 7 3665018M1
- 8 4217910M91
- 9 4217911M1
- 10 3678295M1
- 11 4217912M1
- 12 3678013M1
- 13 4217913M1
- 14 4217914M1
- 15 3677981M1
- 16 4217915M1
- 17 4217916M1
- 18 4217917M1
- 19 4217918M1
- 20 3653310M1
- 21 3679848M1
- 22 3653853M1
- 23 4216062M1
- 24 4216062M1

Inglese

- 1 Coperch.
- 3 Stud
- 1 Kit
- 1 Kit
- 1 Coperch.
- 1 Ring
- 2 Plug
- 1 Kit
- 1 Coperch.
- 1 Valve
- 1 Spring
- 1 Plug
- 1 Rotor
- 1 Rotor
- 8 Screw
- 1 Coperch.
- 4 Dowel
- 1 Ring
- 3 Gear
- 1 O ring
- 1 Bolt
- 4 Bolt
- 4 Bolt
- 2 Bolt

**<https://www.ebooklibonline.com>**

Hello dear friend!

Thank you very much for reading.

Enter the link into your browser.

The full manual is available for immediate download.

**<https://www.ebooklibonline.com>**

Engine

4500 Restyling (2011-2012) - RS01 - 4525

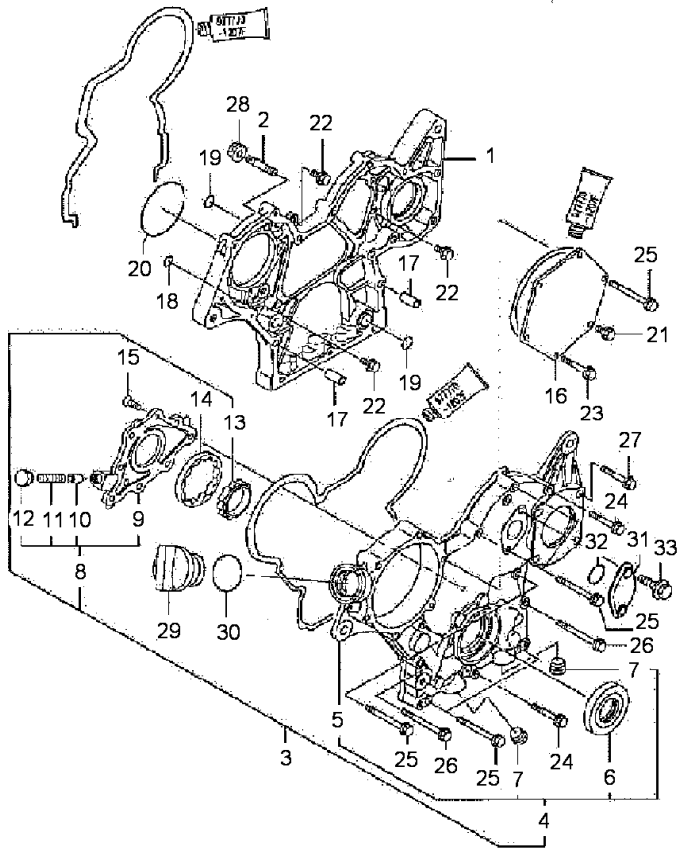
RS01\00040232.png

A-05  
03



A0503

Distribution cover



25 4217919M1

26 4217920M1

27 3653861M1

28 3666905M1

29 3664430M1 ● 3653315M1(1)

30 3653835M1

31 4215980M1

32 3653841M1

33 3653853M1

● Replacement

Inglese

7 Bolt

2 Bolt

3 Bolt

3 Nut

1 Plug

1 O ring

1 Coperch.

1 O ring

2 Bolt

Engine

4500 Restyling (2011-2012) - RS01 - 4525

A-05  
04



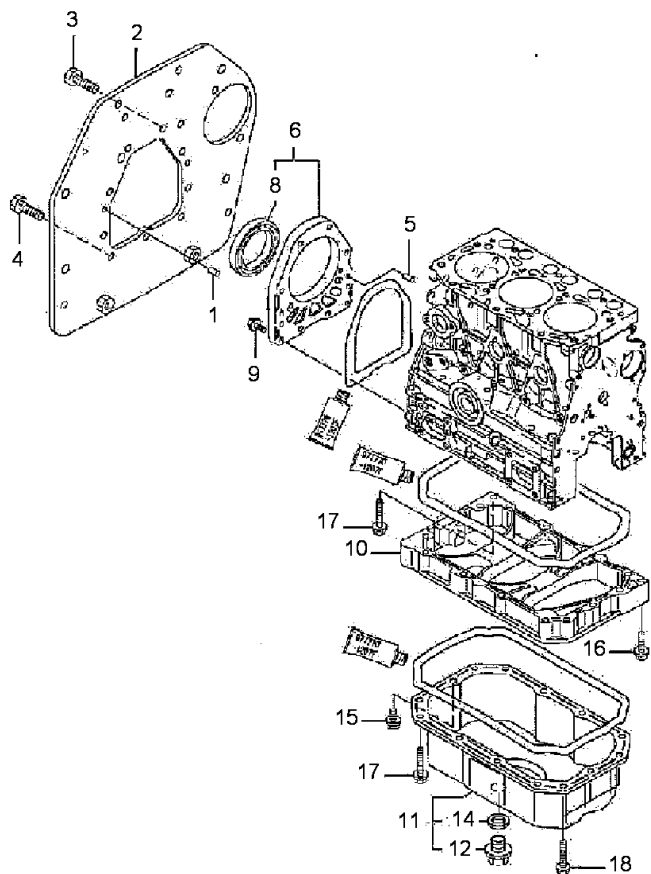
A0504

Lubricating oil pump and delivery housing

RS01\00040233.png

Inglese

- |    |            |    |           |
|----|------------|----|-----------|
| 1  | 3653378M1  | 2  | Dowel     |
| 2  | 4217921M1  | 1  | Flange    |
| 3  | 3653872M1  | 10 | Bolt      |
| 4  | 4217922M1  | 3  | Bolt      |
| 5  | 4217923M1  | 2  | Dowel     |
| 6  | 4217924M91 | 1  | Crankcase |
| 8  | 4217928M1  | 1  | Seal      |
| 9  | 4217925M1  | 10 | Bolt      |
| 10 | 4217926M1  | 1  | Ring      |
| 11 | 4217927M91 | 1  | Kit       |
| 12 | 3653253M1  | 1  | Plug      |
| 14 | 3653811M1  | 1  | Bush      |
| 15 | 3653856M1  | 1  | Bolt      |
| 16 | 3666895M1  | 1  | Bolt      |
| 17 | 3653863M1  | 11 | Bolt      |
| 18 | 3653864M1  | 3  | Bolt      |



Engine

4500 Restyling (2011-2012) - RS01 - 4525

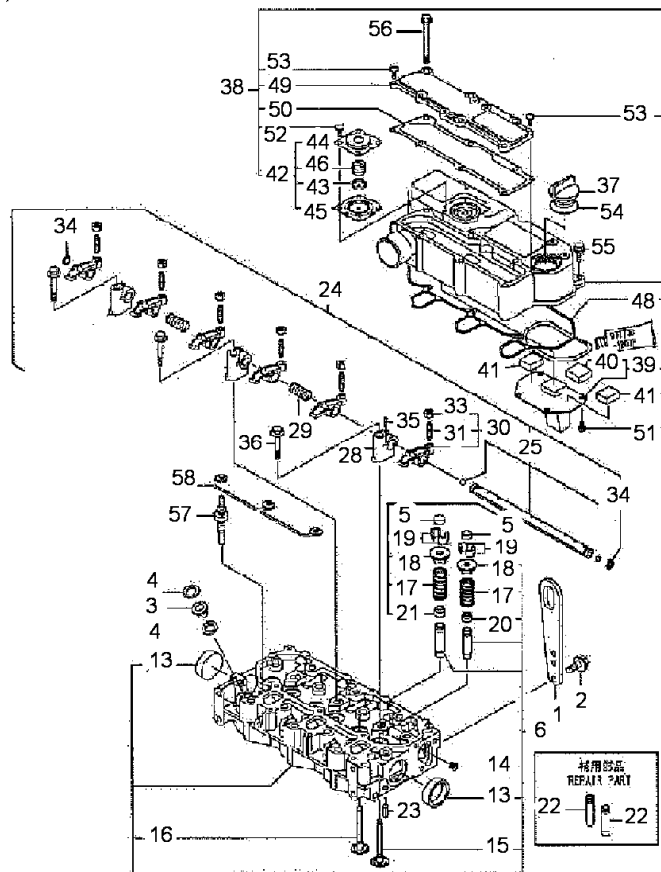
RS01\00040234.png

A-05  
05



A0505

Cylinder head-rocker shaft



- 1 3664580M1
- 2 3653858M1
- 3 4217929M1
- 4 4217930M1
- 5 4217931M1
- 6 4217932M91
- 13 4217933M1
- 14 3653827M1
- 15 4217934M1
- 16 4217935M1
- 17 4217936M1
- 18 3678241M1
- 19 3677965M1
- 20 3677966M1
- 21 3677968M1
- 22 3677967M1
- 23 3653818M1
- 24 4217937M91
- 25 4217938M91
- 28 4217939M1
- 29 4217940M1
- 30 4217941M91
- 31 3653439M1
- 33 3653444M1

Inglese

- 1 Cam
- 2 Bolt
- 3 Guard
- 6 Gasket
- 6 Coperch.
- 1 Kit
- 2 Retainer
- 1 Plug
- 3 Valve
- 3 Valve
- 6 Spring
- 6 Clip
- 12 Dowel
- 3 Ring
- 3 Ring
- 2 Guide
- 2 Pin
- 1 Support
- 1 Dowel
- 2 Support
- 2 Dowel
- 1 Kit
- 6 Screw
- 6 Nut

Engine

4500 Restyling (2011-2012) - RS01 - 4525

RS01\00040234.png

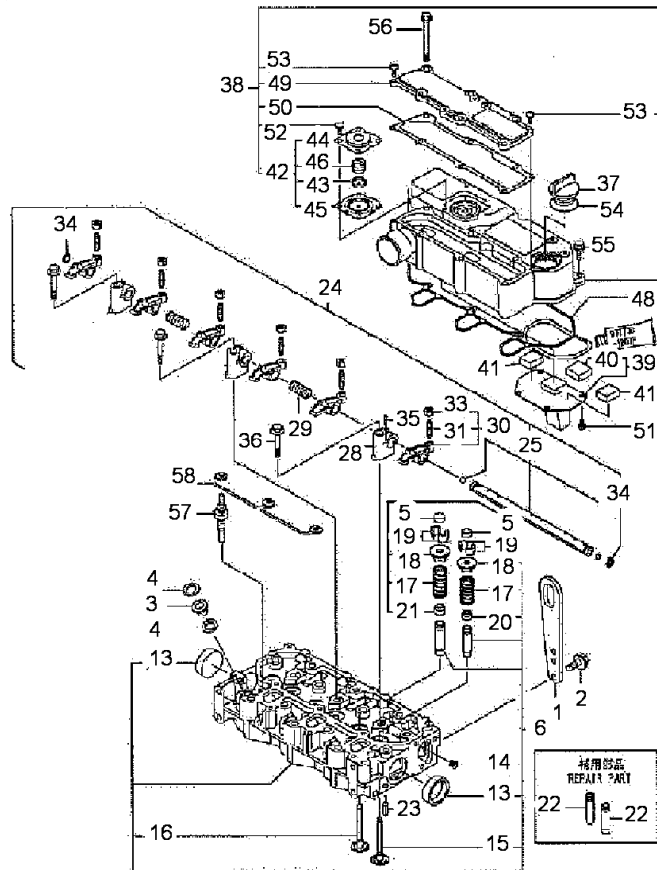
A-05  
05



A0505

Cylinder head-rocker shaft

Inglese



34	4217942M1		2	Ring
35	4217943M1		1	Bolt
36	3653862M1		3	Bolt
37	3664430M1	●	1	Plug
38	4217944M91		1	Kit
39	4217945M91		1	Kit
40	4217946M1		1	Plate
41	4217946M1		2	Plate
42	4217947M91		1	Kit
43	3680210M1		1	Plate
44	4215999M1		1	Coperch.
45	4217948M1		1	Spacer
46	4217949M1		1	Gasket
48	4217950M1		1	Coperch.
50	4217969M1		1	Dowel
51	3665010M1		4	Screw
52	3665010M1		4	Screw
53	4217970M1		2	Screw
54	3653835M1		1	O ring
55	3653854M1		3	Bolt
56	4217971M1		6	Bolt
57	4217972M1		3	Spark plug
58	4217976M1		1	Stud
●	Replacement			

Engine

4500 Restyling (2011-2012) - RS01 - 4525

RS01\00040235.png

A-05  
06

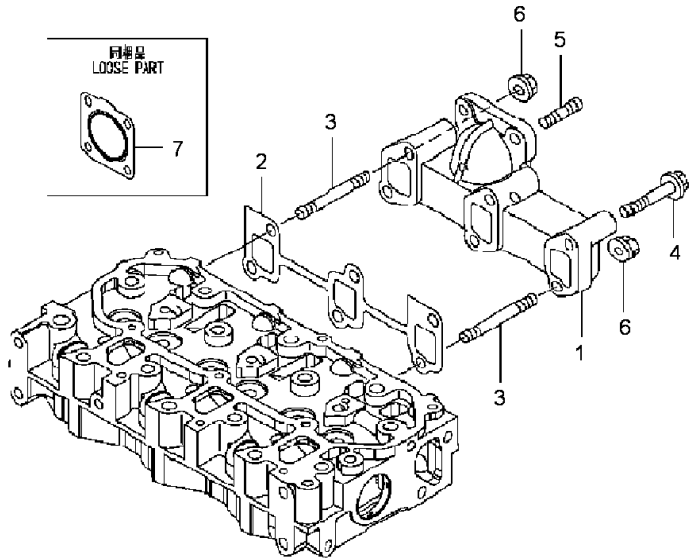


A0506

Exhaust manifold

Inglese

- |   |             |   |   |        |
|---|-------------|---|---|--------|
| 1 | 4217974M1   |   | 1 | Collet |
| 2 | 4217975M1   |   | 1 | Gasket |
| 3 | 4217976M1   |   | 2 | Stud   |
| 4 | 4217977M1   | ● | 4 | Bolt   |
| 5 | 3653262M1   |   | 4 | Bolt   |
| 6 | 3666905M1   |   | 2 | Nut    |
| 7 | 4217978M1   |   | 1 | Gasket |
| ● | Replacement |   |   |        |



Engine

4500 Restyling (2011-2012) - RS01 - 4525

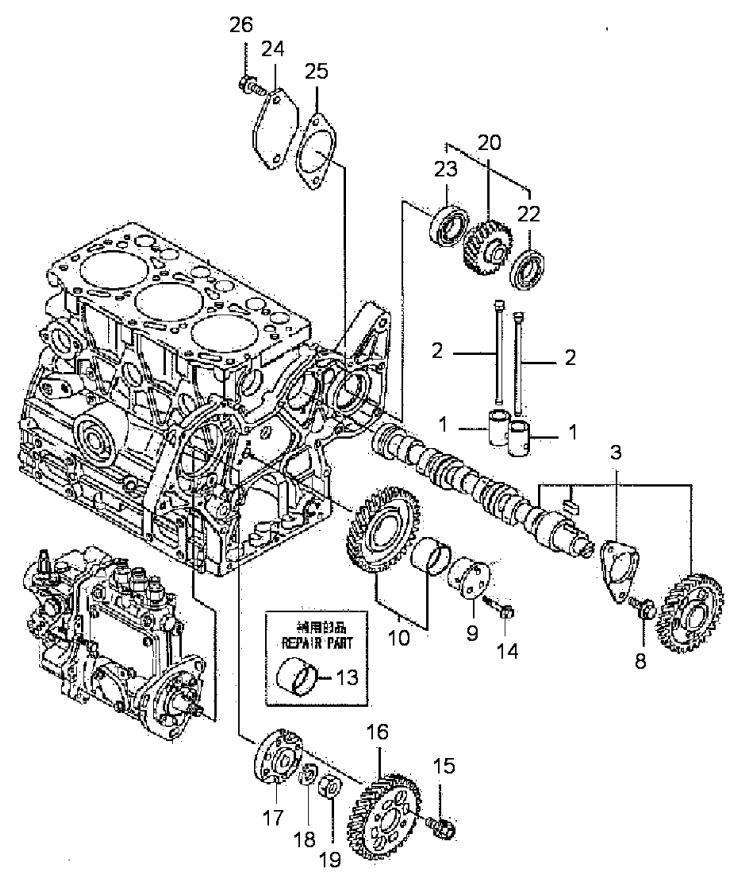
RS01\00040236.png

A-05  
07



A0507

Timing gear and camshaft



- 1 4217979M1
- 2 4217980M1
- 3 4217981M91
- 8 3679848M1
- 9 4217982M1
- 10 4217983M91
- 13 4217984M1
- 14 3680228M1
- 15 3664454M1
- 16 4217985M1
- 17 4217986M1
- 18 3653814M1
- 19 3653882M1
- 20 4217987M91
- 20 4217988M1
- 22 4217988M1
- 23 4217989M1
- 24 4217990M1
- 25 4217991M1
- 26 3653858M1

Inglese

- 6 Dowel
- 6 Gear
- 1 Shaft
- 2 Bolt
- 1 Shaft
- 1 Gear
- 1 Bush
- 3 Bolt
- 4 Screw
- 1 Gear
- 1 Flange
- 1 Washer
- 1 Nut
- 1 Gear
- 1 Cage
- 1 Cage
- 1 Cuscinet
- 1 Coperch.
- 1 Gasket
- 2 Bolt

Engine

4500 Restyling (2011-2012) - RS01 - 4525

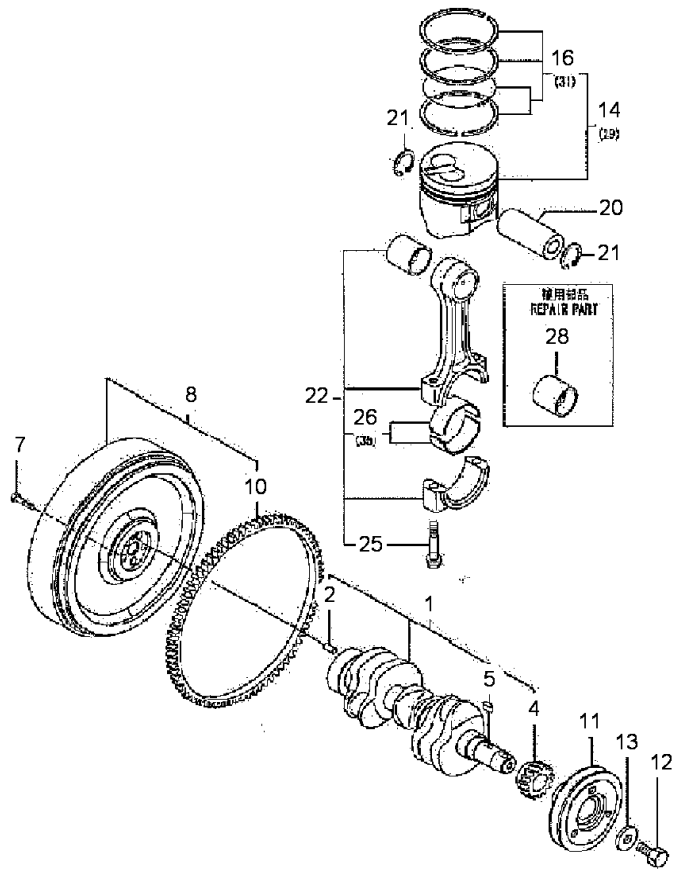
A-05  
08



A0508

Crankshaft, pistons and connecting rods

RS01\00040237.png



Inglese

- |    |            |   |            |
|----|------------|---|------------|
| 1  | 4217992M91 | 1 | Shaft      |
| 2  | 3653378M1  | 1 | Dowel      |
| 4  | 4217993M1  | 1 | Gear       |
| 5  | 4217994M1  | 1 | Key        |
| 7  | 3653301M1  | 5 | Bolt       |
| 8  | 4217995M91 | 1 | Flywheel   |
| 10 | 3653297M1  | 1 | Crownwheel |
| 11 | 4217996M1  | 1 | Pulley     |
| 12 | 4217997M1  | 1 | Washer     |
| 13 | 4217998M1  | 1 | Washer     |
| 14 | 4217999M91 | 3 | Kit        |
| 16 | 4218000M91 | 3 | Kit        |
| 20 | 4218001M1  | 3 | Dowel      |
| 21 | 4218002M1  | 6 | Ring       |
| 22 | 4218003M91 | 3 | Kit        |
| 25 | 4218004M1  | 6 | Bolt       |
| 26 | 4218005M1  | 3 | Cuscinet   |
| 28 | 4218006M1  | 3 | Bush       |
| 29 | 4218007M91 | 3 | Kit        |
| 31 | 4218008M91 | 3 | Kit        |
| 35 | 4218009M1  | 3 | Cuscinet   |

Engine

4500 Restyling (2011-2012) - RS01 - 4525

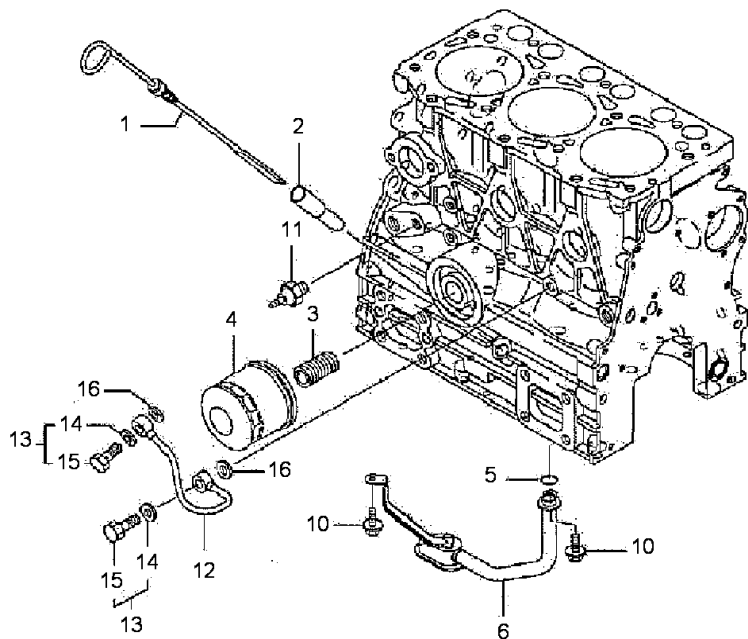
A-05  
09



A0509

Lubricating oil pump and delivery housing-oil filter

RS01\00040238.png



- 1 4218010M1
- 2 4218026M1
- 3 3680225M1
- 4 4218027M1
- 5 4218028M1
- 6 4218029M1
- 10 3653851M1
- 11 3664370M1
- 12 4218030M1
- 13 3678024M1
- 14 3653808M1
- 15 3665013M1
- 16 3653808M1

● Replacement

- 3653306M1(1)
- 4218027M2(1)

Inglese

- Rod
- 1 Guide
- 1 Stud
- 1 Filter
- 1 Ring
- 1 Pipe
- 2 Bolt
- 1 Switch
- 1 Pipe
- 2 Bolt
- 2 Washer
- 2 Bolt
- 2 Washer

Engine

4500 Restyling (2011-2012) - RS01 - 4525

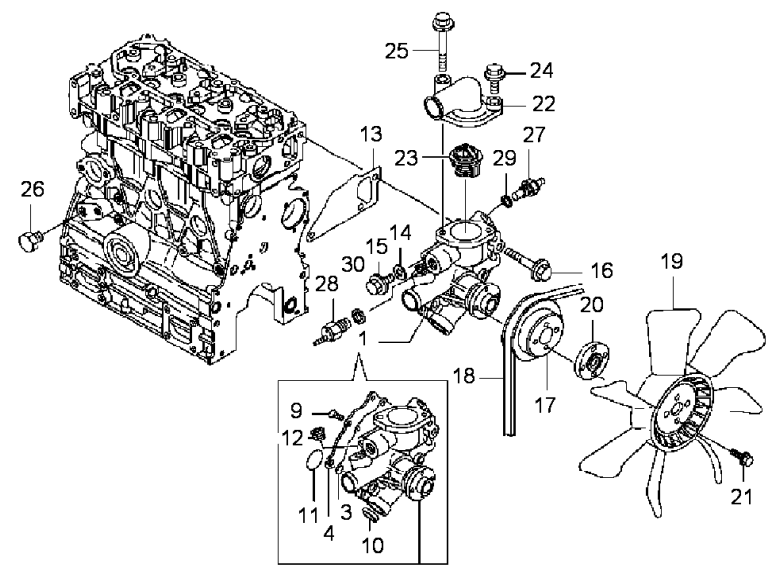
RS01\00040239.png

A-05  
10



A0510

Water pump, thermostat and heat exchanger



- 1 4218031M91
- 3 4218032M1
- 4 4218033M1
- 9 4218034M1
- 10 4218035M1
- 11 4218036M1
- 12 3678297M1
- 13 4218037M1
- 14 3653822M1
- 15 3653856M1
- 16 3653864M1
- 17 4218038M1
- 18 4218039M1
- 19 4218040M1
- 20 4218041M1
- 21 3653854M1
- 22 3678009M1
- 23 4218042M1
- 24 3653860M1
- 25 3653866M1
- 26 3653797M1
- 28 3653302M1

Inglese

- 1 Kit
- 1 Kit
- 1 Kit
- 4 Bolt
- 1 Plug
- 1 Ring
- 1 Plug
- 1 Gasket
- 1 Gasket
- 1 Bolt
- 3 Bolt
- 1 Pulley
- 1 Belt
- 1 Fan
- 1 Spacer
- 4 Bolt
- 1 Cover
- 1 Sensor
- 1 Bolt
- 1 Bolt
- 1 Plug
- 1 Switch,indirect

Engine

4500 Restyling (2011-2012) - RS01 - 4525

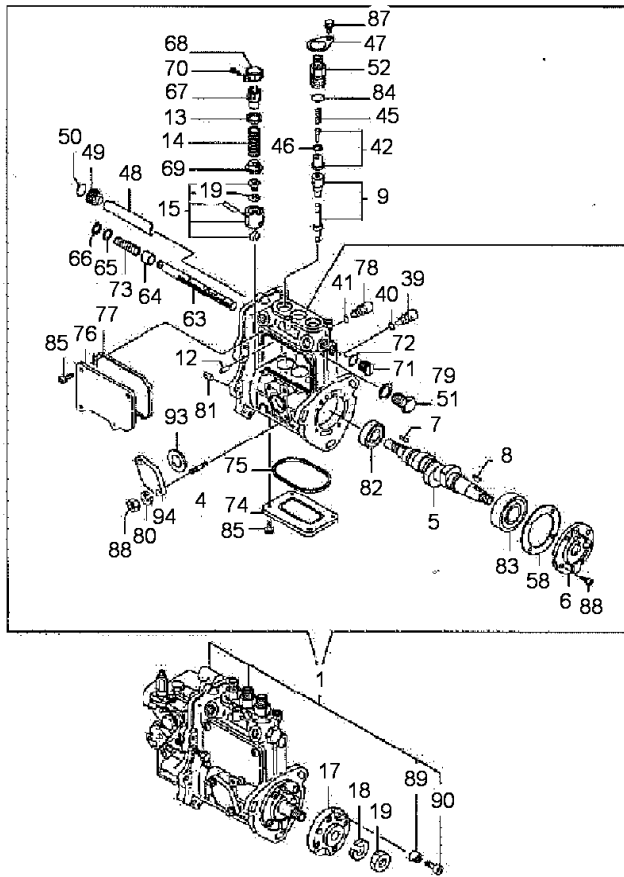
RS01\00040240.png

A-05  
11



A0511

Injection pump assy



- 1 4218043M91
- 4 3653471M1
- 5 4218044M1
- 6 4218045M1
- 7 4218046M1
- 8 3653312M1
- 9 4218047M91
- 12 3653474M1
- 13 4218048M1
- 14 4218049M1
- 15 4218050M91
- 19 3653496M1
- 39 4215971M1
- 40 4216286M1
- 41 4216286M1
- 42 4218051M91
- 45 4218052M1
- 46 3653325M1
- 47 4218053M1
- 48 3653484M1
- 49 4218054M1
- 50 4218055M1
- 51 4218056M1
- 52 4218057M91

● 3653478M1(3)

● 3653478M1(3)

Inglese

- 1 Pump
- 2 Stud
- 1 Shaft
- 1 Support
- 1 Retainer
- 1 Key
- 3 Nozzle
- 3 Pin
- 3 Retainer
- 3 Spring
- 3 Tappet
- 3 Shim
- 3 Valve
- 3 Ring
- 3 Ring
- 3 Kit
- 3 Spring
- 3 Gasket
- 3 Retainer
- 1 Deflector
- 1 Plug
- 1 Ring
- 1 Plug
- 3 Valve

Engine

4500 Restyling (2011-2012) - RS01 - 4525

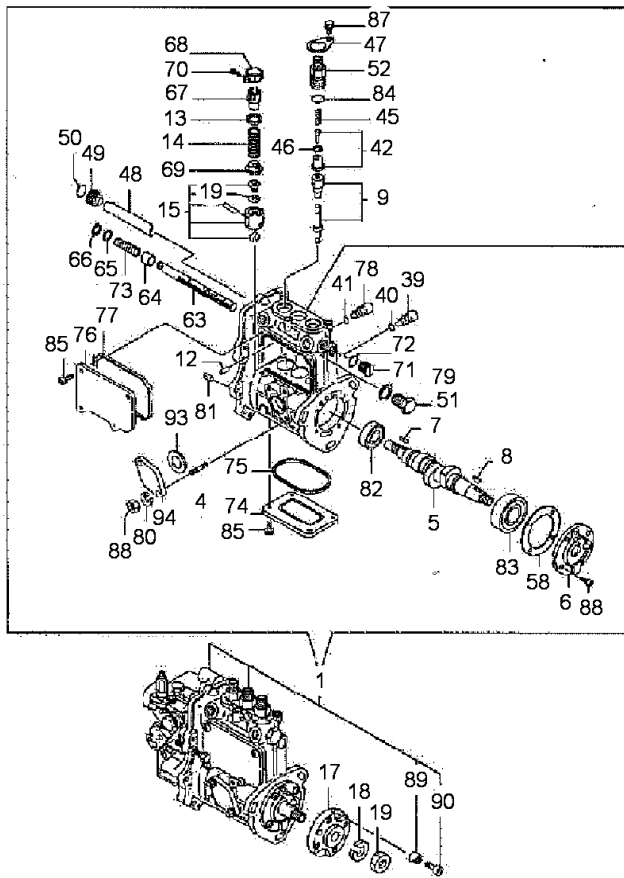
RS01\00040240.png

A-05  
11



A0511

Injection pump assy



- 58 3653487M1
- 63 4218058M1
- 64 3653489M1
- 65 3653490M1
- 66 3653491M1
- 67 3653492M1
- 68 4218059M1
- 69 4218060M1
- 70 4218061M1
- 71 4218062M1
- 72 3653494M1
- 73 3653495M1
- 74 3664457M1
- 75 4218063M1
- 76 4218064M1
- 77 4218065M1
- 78 4218066M1
- 79 3653811M1
- 80 3653813M1
- 81 3653817M1
- 82 4218067M1
- 83 3653829M1
- 84 4218068M1
- 85 3007932X1

● 3653311M2(3)

Inglese

- 1 Shim
- 1 Rod
- 1 Bush
- 1 Spacer
- 1 Ring
- 3 Pinion
- 3 Pinion
- 3 Retainer
- 3 Screw
- 1 Plug
- 1 O ring
- 1 Spring
- 1 Coperch.
- 1 Gasket
- 1 Coperch.
- 1 Gasket
- 1 Valve
- 1 Bush
- 2 Spring
- 1 Dowel
- 1 Cuscinet
- 1 Cuscinet
- 3 Ring
- 8 Screw

Engine

4500 Restyling (2011-2012) - RS01 - 4525

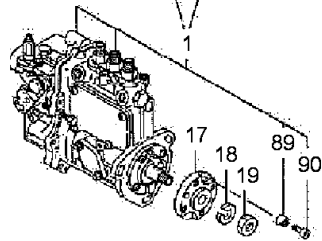
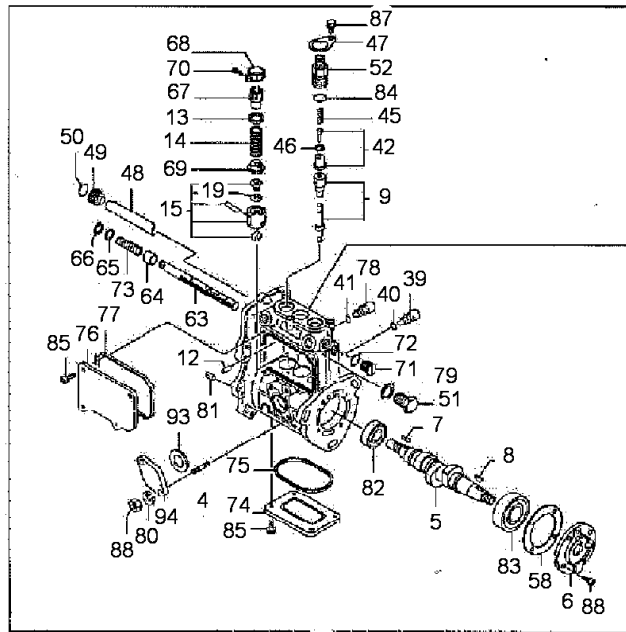
RS01\00040240.png

A-05  
11



A0511

Injection pump assy



- 86 3653850M1
- 87 4218069M1
- 88 3653881M1
- 89 4218070M1
- 90 4218071M1
- 93 4218072M1
- 94 4218074M1

● 3685384M1(1)

● Replacement

Inglese

- 4 Screw
- 3 Screw
- 2 Nut
- 1 Bush
- 1 Bolt
- 1 Gasket
- Coperch.

Engine

4500 Restyling (2011-2012) - RS01 - 4525

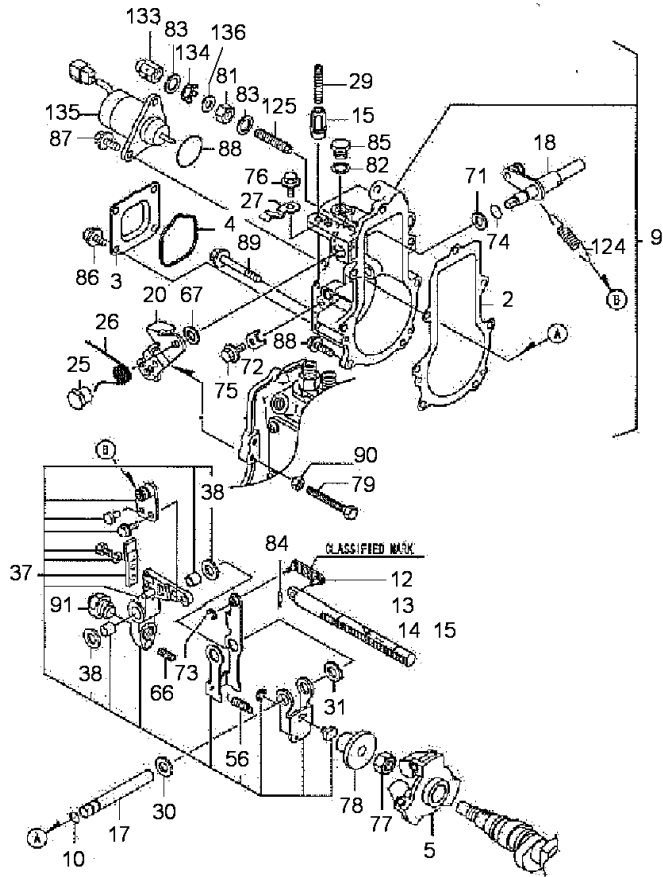
RS01\00040241.png

A-05  
12



A0512

Fuel cut off



- 2 4218077M1
- 3 4218078M1
- 4 4218079M1
- 5 4218080M1
- 9 4218081M1
- 10 4216286M1
- 12 4218082M1
- 13 4218083M1
- 14 4218084M1
- 15 4218088M1
- 16 4218086M1
- 17 3653375M1
- 18 4218087M91
- 25 4216101M1
- 26 4218088M1
- 27 4218089M1
- 28 4218090M1
- 29 3653724M1
- 30 4218091M1
- 31 3653727M1
- 37 4218092M91
- 38 3653805M1
- 56 3664550M1
- 66 3653398M1

● 3653478M1(1)

Inglese

- 1 Gasket
- 1 Coperch.
- 1 Gasket
- 1 Adjuster
- 1 Crankcase
- 1 Ring
- 1 Union
- 1 Union
- 1 Union
- 1 Lever
- 1 Nut
- 1 Shaft
- 1 Shaft
- 1 Plug
- 1 Lever
- 1 Lever
- 1 Lever
- 1 Bolt
- 1 Washer
- 1 Spacer
- 1 Kit
- 2 Shim
- 1 Spring
- 1 Spring



**Suggest:**

**For more complete manuals. Please go to the home page.**

**<https://www.ebooklibonline.com>**

**If the above button click is invalid. Please download this document first, and then click the above link to download the complete manual.**

**Thank you so much for reading**

Engine

# A-05 12

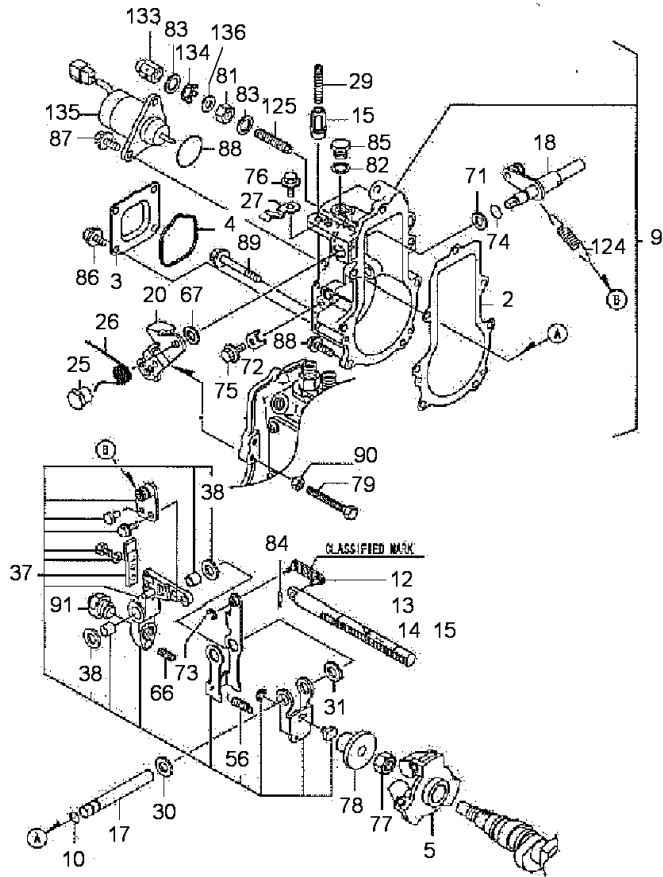
Fuel cut off

4500 Restyling (2011-2012) - RS01 - 4525



A0512

RS01\00040241.png



		Inglese
67	4218093M1	1 Shim
71	4218094M1	1 Shim
72	3653269M1	1 Clip
73	4218095M1	1 Ring
74	4218096M1	1 Ring
75	3653851M1	1 Bolt
76	3653851M1	1 Bolt
77	4218097M1	1 Nut
78	3653509M1	1 Manicott
79	4216287M1	1 Bolt
80	4216105M1	1 Ring
81	4218100M1	1 Nut
82	3653809M1	1 Washer
83	3653810M1	2 Washer
84	3653819M1	1 Linch pin
85	3653828M1	1 Plug
86	3653851M1	4 Bolt
87	3653852M1	2 Screw
88	3653854M1	4 Bolt
89	4218102M1	3 Bolt
90	3653883M1	1 Nut
91	4218103M1	1 Bolt
124	4218105M1	1 Spring
125	4218106M1	1 Bolt

Engine

4500 Restyling (2011-2012) - RS01 - 4525

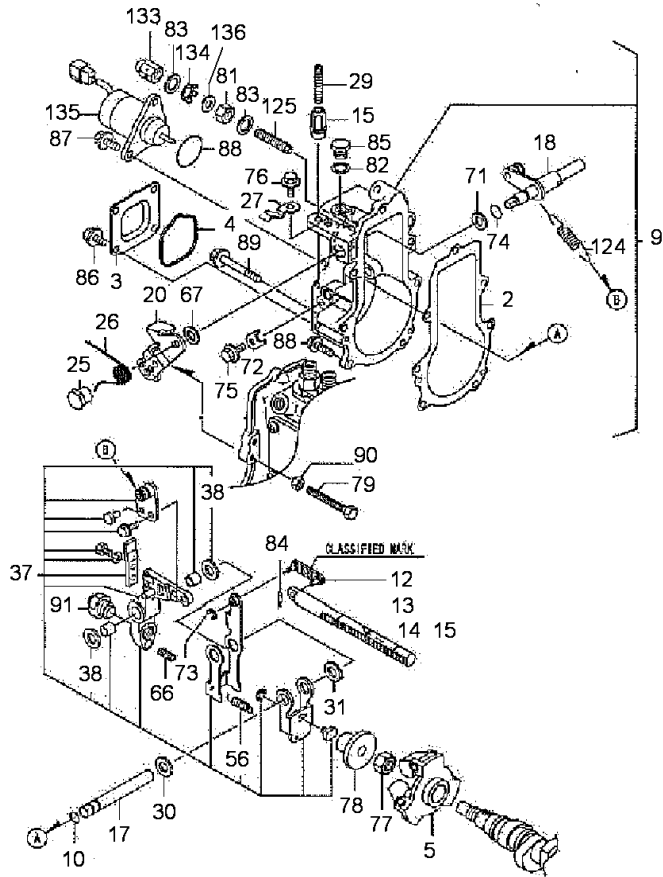
RS01\00040241.png

A-05  
12



A0512

Fuel cut off



133 4218107M1

134 4218108M1

135 3653268M1

136 4218109M1

Replacement

Inglese

1 Cap

1 Plate

1 Solenoid

1 Gasket

**<https://www.ebooklibonline.com>**

Hello dear friend!

Thank you very much for reading.

Enter the link into your browser.

The full manual is available for immediate download.

**<https://www.ebooklibonline.com>**