

Engine

9-7 Series (2014-) - RS37 - 9095 - 90105 ISM

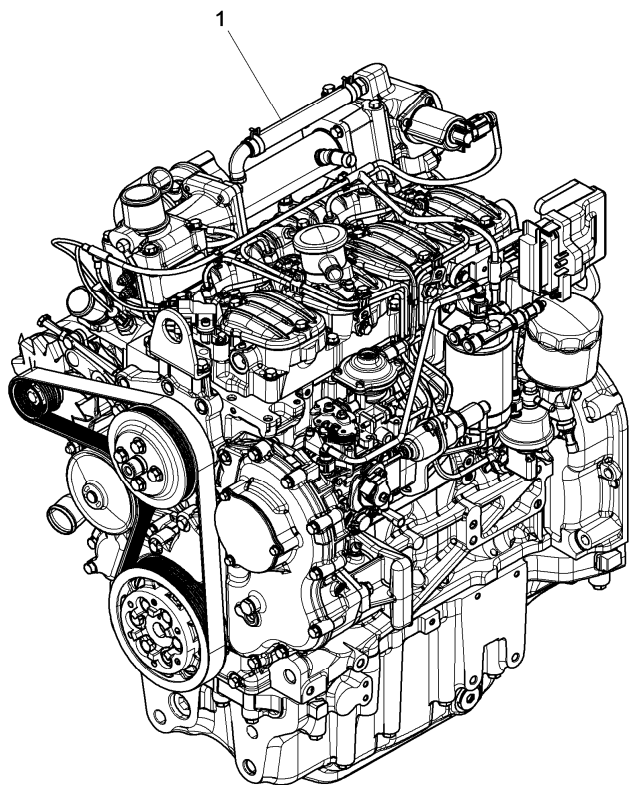
RS37\00045919.png

A-05
01



A0501

Engine assembly



			Inglese
1	6513326M91	"fpt" 70 kw	1 Engine
		B	
1	6513476M91	"fpt" 65 kw	1 Engine
		A	
A	For model 9095		
B	For model 90105		

Engine

9-7 Series (2014-) - RS37 - 9095 - 90105 ISM

RS37\00046519.png

A-05
015



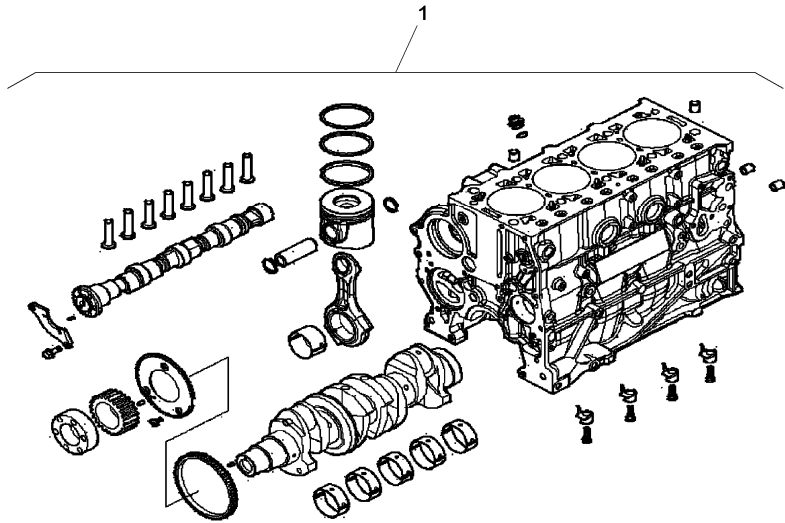
A05015

Short engine

1 6532330M91

Inglese

1 Short engine



Engine

A-05
02

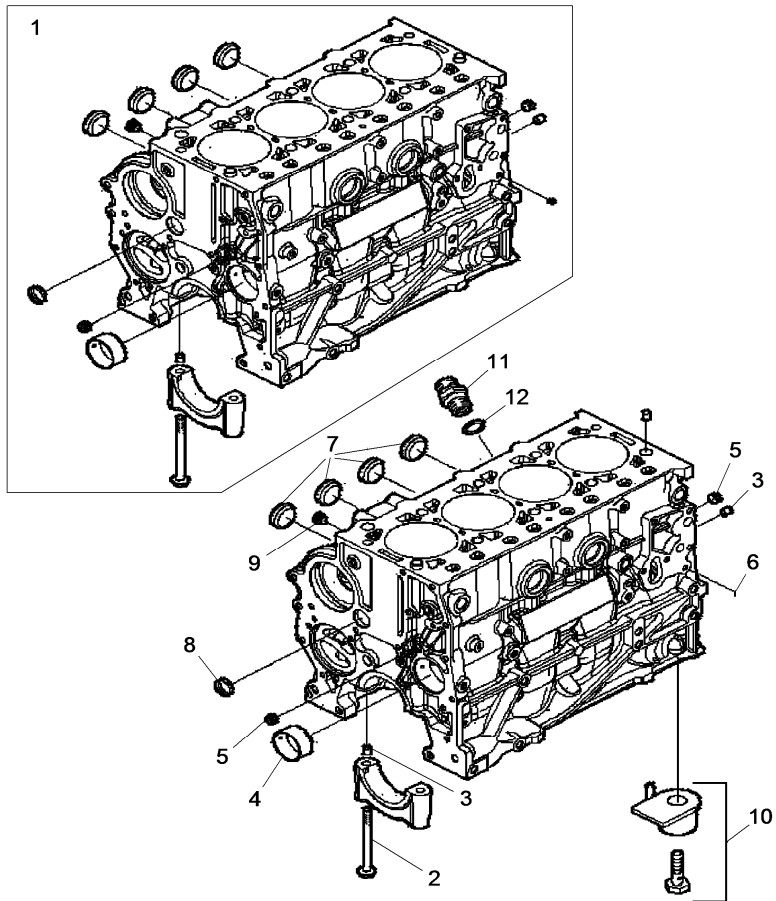
Crankcase

9-7 Series (2014-) - RS37 - 9095 - 90105 ISM



A0502

RS37\00046520.png



Inglese

- | | | | | |
|----|------------|----|----|----------------|
| 1 | 6532333M91 | | 1 | Block |
| 2 | 3688673M1 | ◄► | 10 | Screw |
| | | ● | | 704696A1(10) |
| 3 | 6532334M1 | | 14 | Dowel |
| 4 | 3688759M1 | | 1 | Bearing |
| 5 | 6532335M1 | ∅ | 3 | Plug 3/8" |
| 6 | 6532336M1 | ∅ | 4 | Plug 1/8" |
| 7 | 6532337M1 | ∅ | 6 | Plug 40 mm |
| 8 | 6532338M1 | ∅ | 1 | Plug 30 mm |
| 9 | 6532339M1 | | 1 | Plug M14x1,5 |
| 10 | 6532340M1 | | 4 | Splasher |
| 11 | 6532341M1 | | 1 | Filler M14x1,5 |
| 12 | 6532342M1 | ∅ | 1 | Ring 13-19 |

- ◄► Length
- ∅ Diameter
- Replacement

<https://www.ebooklibonline.com>

Hello dear friend!

Thank you very much for reading.

Enter the link into your browser.

The full manual is available for immediate download.

<https://www.ebooklibonline.com>

Engine

9-7 Series (2014-) - RS37 - 9095 - 90105 ISM

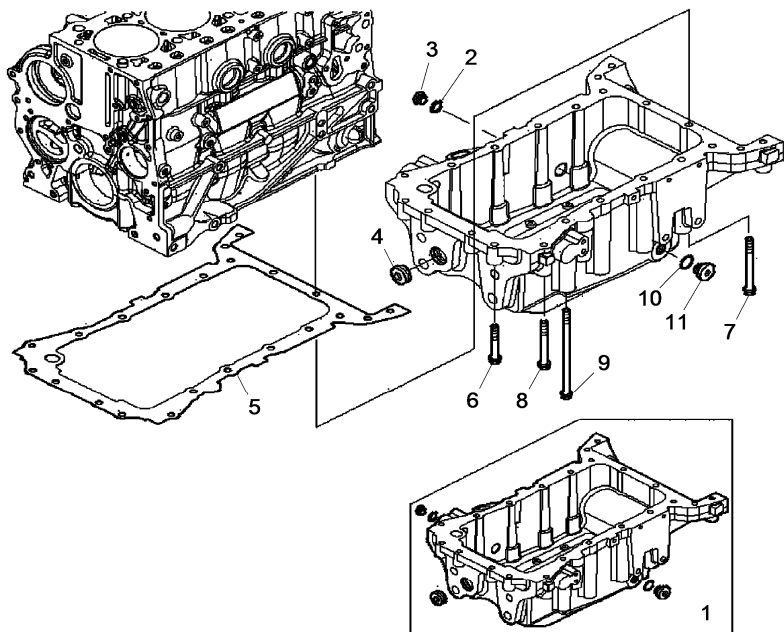
RS37\00046529.png

A-05
03



A0503

Oil sump



			Inglese
1	6532343M91		1 Pan
2	6532344M1	16x24x1,5	1 Ring
3	6532346M1	M16x1,5	1 Plug
4	6532345M1	M35x1,5	1 Plug
5	6532347M1		1 Gasket
6	6532348M1	◄► M10x55	8 Screw
7	3688943M1	◄► M10x110	2 Screw
8	6532355M1	◄► M10x1,5x80	4 Screw
9	6532356M1		8 Screw
10	3688997M1	2,62x23,47	2 Ring
11	3688691M1	M22x1,5	2 Plug
◄►	Length		

Engine

9-7 Series (2014-) - RS37 - 9095 - 90105 ISM

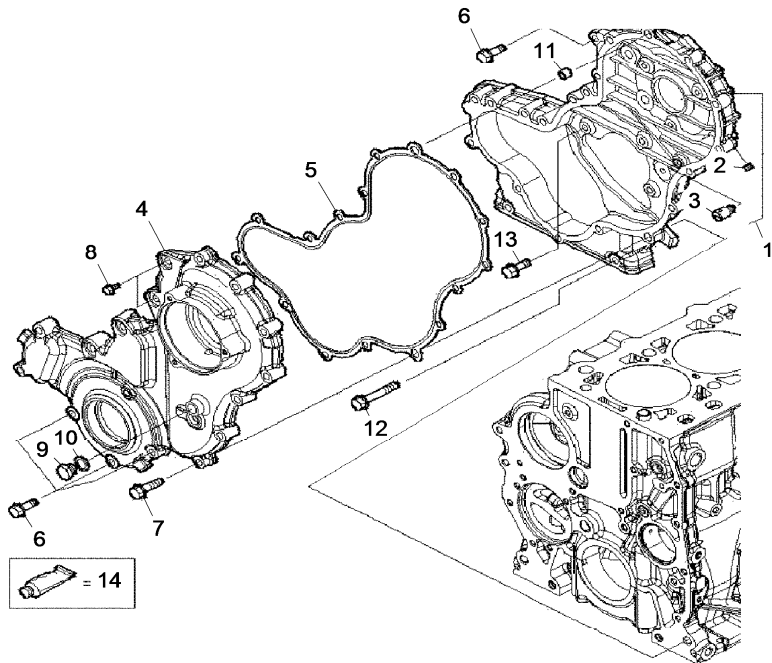
RS37\00046565.png


A-05
04



A0504

Crankcase covers



 - 14

		Inglese
1	6532358M91	1 Box
2	6532336M1 ! 1	1 Plug
3	6532359M1 ! 1	1 Nozzle
4	6532360M1	1 Coperch.
5	6532361M1	1 Gasket
6	710626A1 ◀▶ M8x25	4 Screw
7	6532364M1 ◀▶ M8x35	13 Screw
8	6532365M1 ◀▶ M22x103	2 Screw
9	6532370M1 ◀▶ M14x1,5	1 Plug
10	6532371M1 14x19,5x1,5	1 Gasket
11	6513439M1	4 Screw
12	6532388M1 ◀▶ M8x50	6 Screw
13	6532389M1 ◀▶ M8x12	5 Screw
14	6500933M1	999 Loctite

! This is a component of an assembly
◀▶ Length

Engine

9-7 Series (2014-) - RS37 - 9095 - 90105 ISM

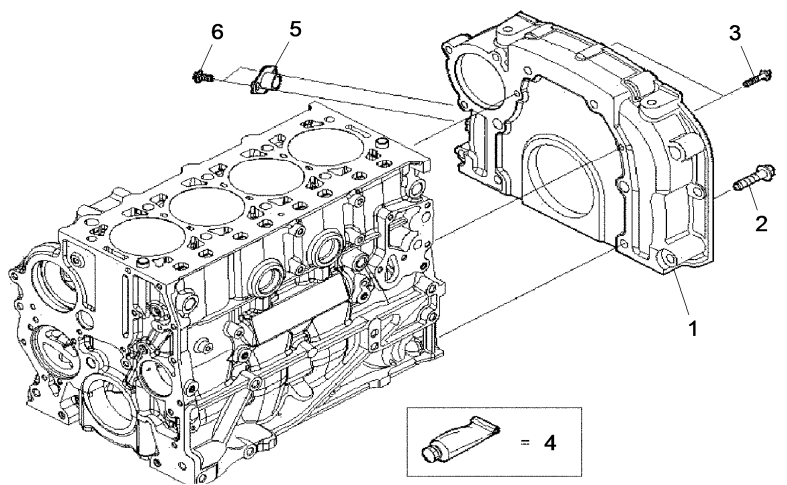
RS37\00046566.png

A-05
05



A0505

Flywheel housing



- | | | | | |
|---|-----------|----|----------------|--------------|
| 1 | 6532390M1 | | | 1 Crankcase |
| 2 | 6532391M1 | ◄► | M12x40 | 6 Screw |
| 3 | 6532392M1 | ◄► | M8x25 | 2 Screw |
| 4 | 6532393M1 | ● | 6500933M1(999) | 999 Adhesive |
| 5 | 6532394M1 | | | 1 Plate |
| 6 | 6532395M1 | ◄► | M8x1,25 | 2 Screw |
- ◄► Length
● Replacement

Inglese

Engine

9-7 Series (2014-) - RS37 - 9095 - 90105 ISM

RS37\00046567.png

A-05
06



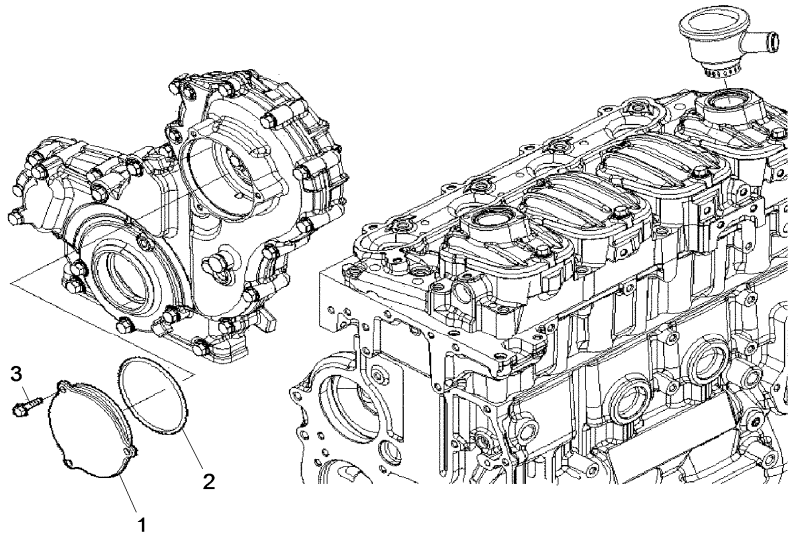
A0506

Engine breathers

- 1 6532396M1
- 2 6532397M1
- 3 6532398M1 ◀▶ M6x18
- ◀▶ Length

Inglese

- 1 Coperch.
- 1 Ring
- 3 Screw



Engine

9-7 Series (2014-) - RS37 - 9095 - 90105 ISM

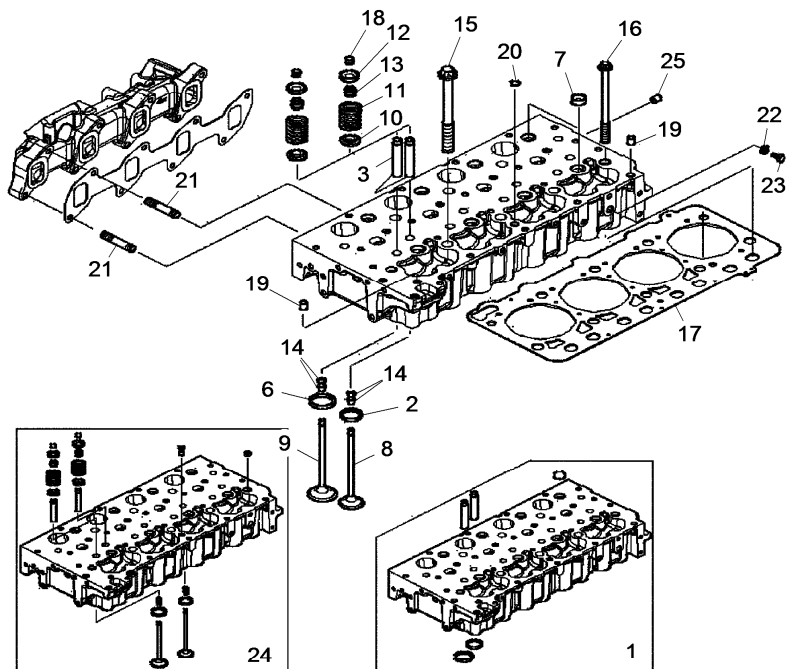
RS37\00046568.png

A-05
07



A0507

Head cylinder



		Inglese
1	6532399M1	1 Head
2	6532400M1	4 Valve seat
3	6532401M1	8 Guide
3	6532402M1	8 Guide
3	6532403M1	8 Guide
6	6532404M1	4 Valve seat
7	6532405M1	8 Plug
8	6532406M1	4 Valve
9	6532407M1	4 Valve
10	6532408M1	8 Cup
11	6532409M1	8 Spring
12	6532410M1	8 Cup
13	6532411M1	8 Protection cap
14	6532412M1	16 Cone
15	6532413M1	6 Screw
16	6532414M1	4 Screw
17	6532415M1	1 Gasket
18	6532416M1	8 Cap
19	6513439M1	3 Screw
20	6532417M1	1 Ring
21	6532418M1	8 Screw
22	6532419M1	1 Gasket
23	6532420M1	1 Plug
24	6532421M1	1 Head

Engine

9-7 Series (2014-) - RS37 - 9095 - 90105 ISM

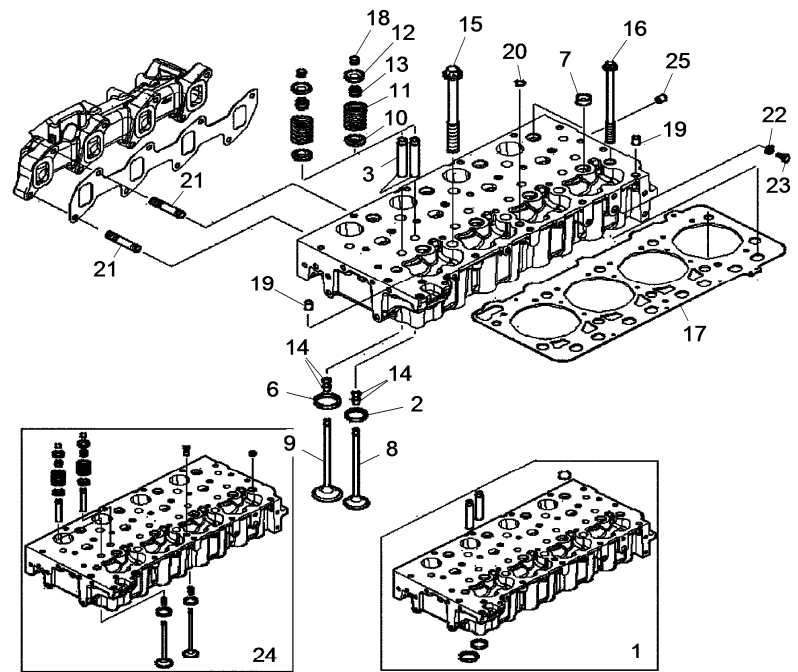
A-05
07



A0507

Head cylinder

RS37\00046568.png



Inglese

25 6532338M1 Ø 30 mm

1 Plug

✕ Shim

◄ Length

Ø Diameter

A Inlet

B Exhaust

Engine

9-7 Series (2014-) - RS37 - 9095 - 90105 ISM

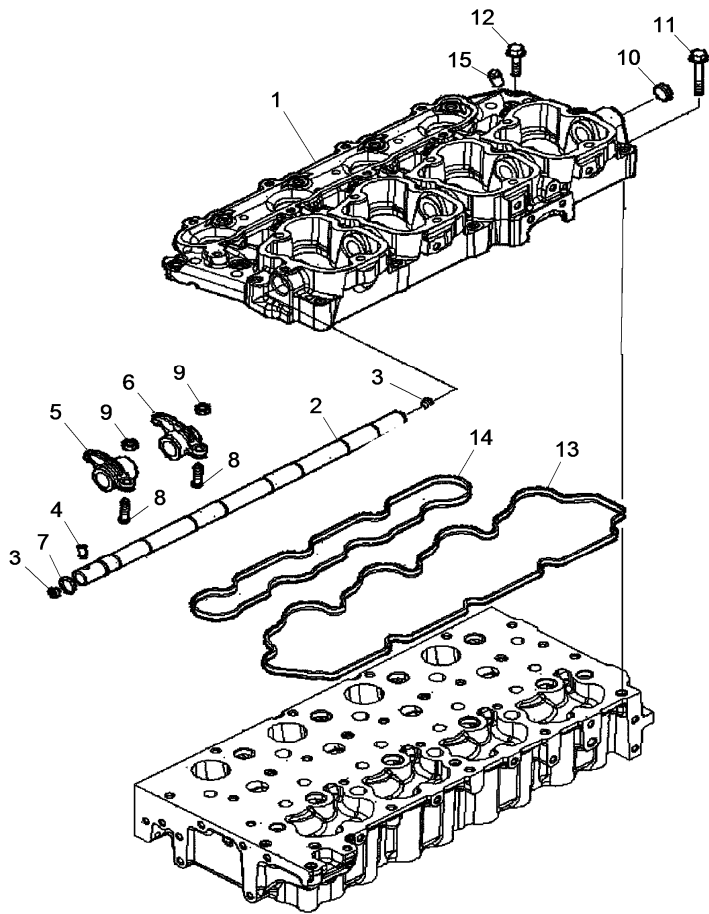
RS37\00046570.png

**A-05
08**



A0508

Cylinder head cover



Inglese

-		C	
1	6532422M1		1 Spacer
2	6532423M1		1 Shaft
3	6532424M1	∅ 12 mm	2 Plug
4	6532425M1		1 Screw
5	6532430M1	A	4 Rocker
6	6532431M1	B	4 Rocker
7	13,9x2,6	1 Ring	
8	6532432M1		8 Screw
9	6532433M1		8 Nut
10	6532434M1	∅ 20 mm	1 Plug
11	6532388M1	◄► M8x50	10 Screw
12	3688942M1	◄► M8x30	11 Screw
		● 706309A1(11)	
13	6532435M1		1 Gasket
14	6532436M1		1 Gasket
15	6532437M1	M12x1,5	4 Plug

◄► Length
 ∅ Diameter
 ● Replacement
 A Discharge
 B Exhaust
 C For model 9095

Engine

9-7 Series (2014-) - RS37 - 9095 - 90105 ISM

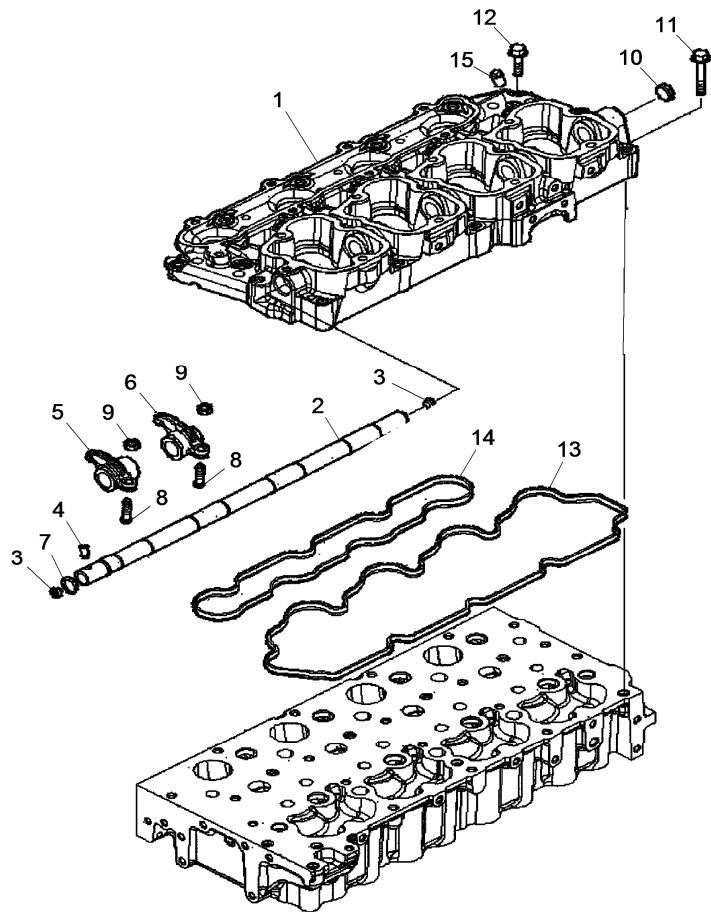
RS37\00046570.png

**A-05
085**



A05085

Cylinder head cover



Inglese

-	C		
1	6532422M1		1 Spacer
2	6532423M1		1 Shaft
3	6532424M1	Ø 12 mm	2 Plug
4	6532425M1		1 Screw
5	6532430M1	A	4 Rocker
6	6532431M1	B	4 Rocker
7	13,9x2,6	1 Ring	
8	6532432M1		8 Screw
9	6532433M1		8 Nut
10	6532434M1	Ø 20 mm	1 Plug
11	6532388M1	◄► M8x50	9 Screw
12	3688942M1	◄► M8x30	11 Screw
		● 706309A1(11)	
13	6532435M1		1 Gasket
14	6532436M1		1 Gasket
15	6532437M1	M12x1,5	4 Plug
◄►	Length		
Ø	Diameter		
●	Replacement		
A	Discharge		
B	Exhaust		
C	For model 90105		

Engine

9-7 Series (2014-) - RS37 - 9095 - 90105 ISM

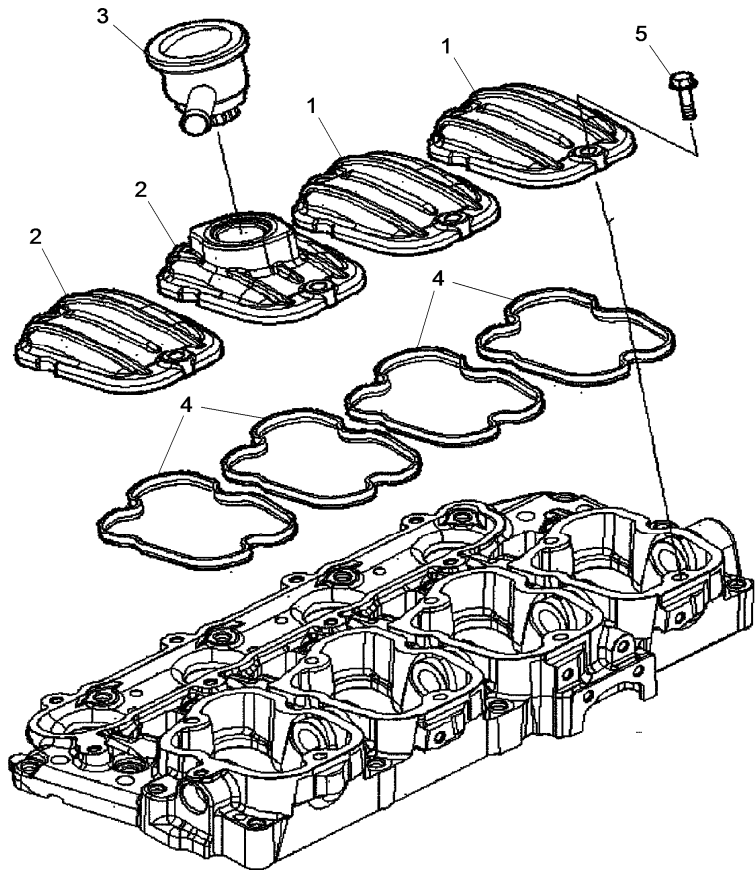
A-05
09



A0509

Cylinder head cover

RS37\00046571.png



- 1 6532438M1
 - 2 6532439M1
 - 3 6532440M1
 - 4 6532441M1
 - 5 6532364M1
- ◀▶ M8x35
- ◀▶ Length

Inglese

- 3 Coperch.
- 1 Coperch.
- 1 Vent
- 4 Gasket
- 8 Screw

Engine

9-7 Series (2014-) - RS37 - 9095 - 90105 ISM

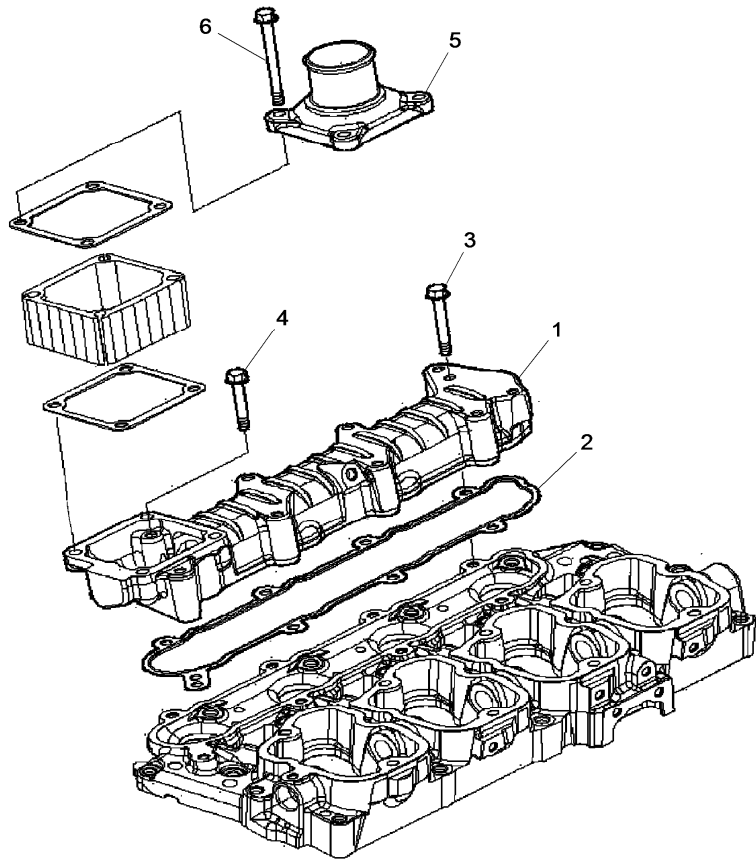
RS37\00046574.png

A-05
10



A0510

Induction manifold



Inglese

-	A	
1	6532451M1	1 Duct
2	6532452M1	1 Gasket
3	6532453M1	7 Screw
4	6532458M1	1 Screw
5	6532459M1	1 Pipe
6	6532457M1	4 Screw
◆◆	Length	
A	For model 9095	

Engine

9-7 Series (2014-) - RS37 - 9095 - 90105 ISM

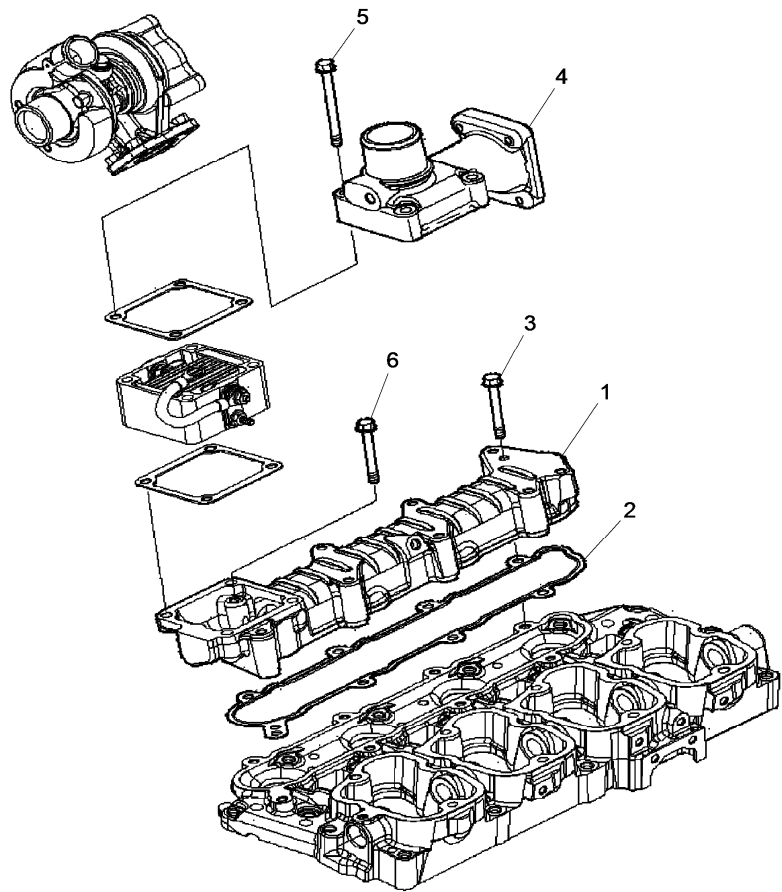
RS37\00046575.png

A-05
105



A05105

Induction manifold



Inglese

-	A	
1	6532451M1	1 Duct
2	6532452M1	1 Gasket
3	6532453M1	7 Screw
4	6532460M1	1 Pipe
5	6532461M1	4 Screw
6	6532458M1	1 Screw
◆◆	Length	
A	For model 90105	

Engine

9-7 Series (2014-) - RS37 - 9095 - 90105 ISM

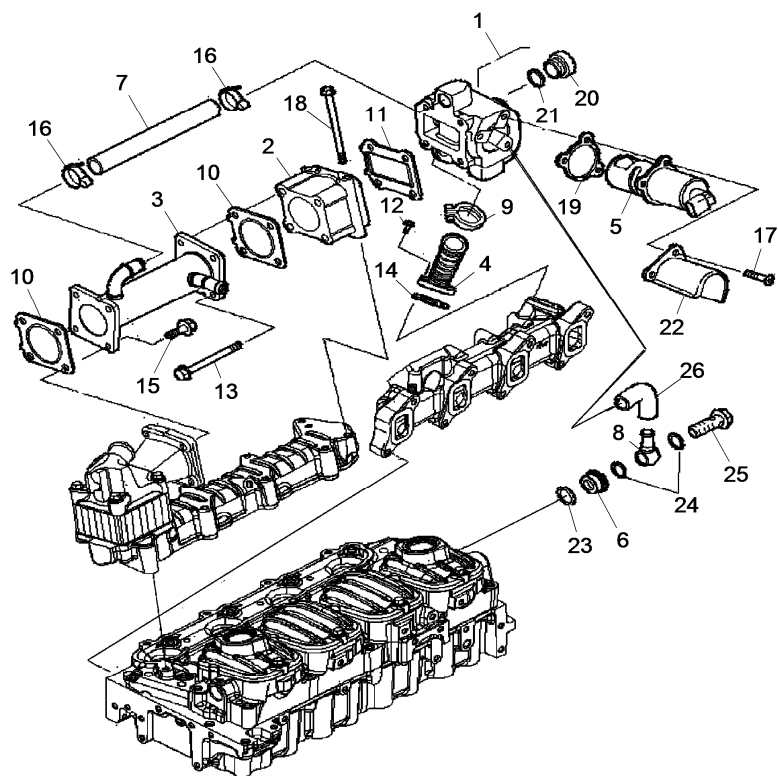
A-05
11



A0511

Assembly egr

RS37\00046576.png



Inglese

-	A	Inglese
1		1 Support
2		1 Spacer
3		1 Exchanger
4		1 Flange
5		1 Valve
6		1 Union
7		1 Sleeve
8		1 Union
9		1 Collar
10		2 Gasket
11		1 Gasket
12	◆◆ M22x103	2 Screw
13	◆◆ M8x90	4 Screw
14		1 Gasket
15	◆◆ M8x1,25x25	4 Screw
16		4 Spring
17		3 Screw
18	◆◆ M8x120	2 Screw
19		1 Gasket
20	M28x1,5	1 Plug
21	∅ 28 mm	1 Gasket
22		1 Guard
23	∅ 33 mm	1 Gasket

Engine

9-7 Series (2014-) - RS37 - 9095 - 90105 ISM

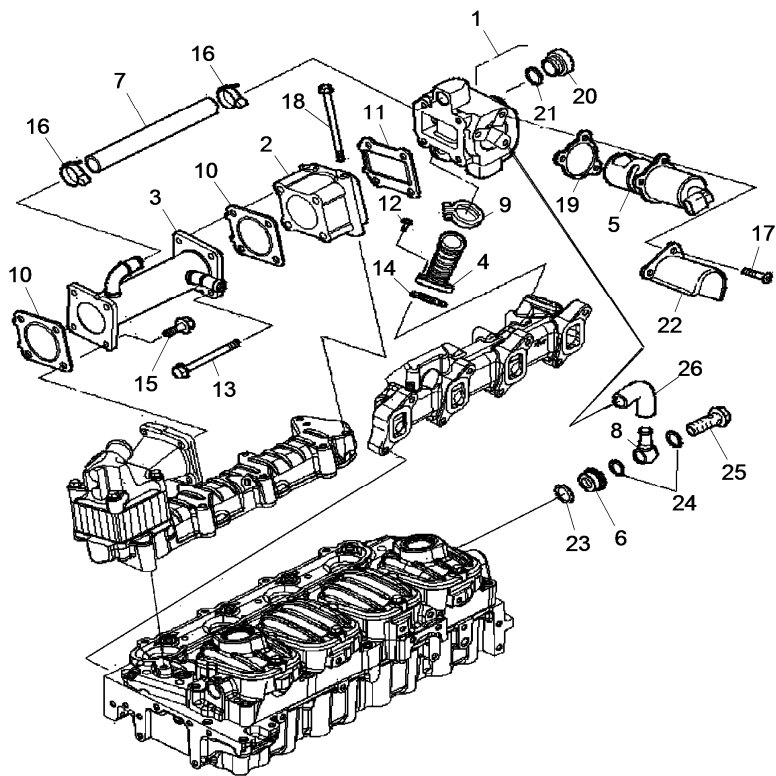
RS37\00046576.png

A-05
11



A0511

Assembly egr



			Inglese
24	6532484M1	22x30	2 Ring
25	6532485M1		1 Union
26	6532486M1		1 Sleeve

◆ Length
∅ Diameter
A For model 90105

Engine

9-7 Series (2014-) - RS37 - 9095 - 90105 ISM

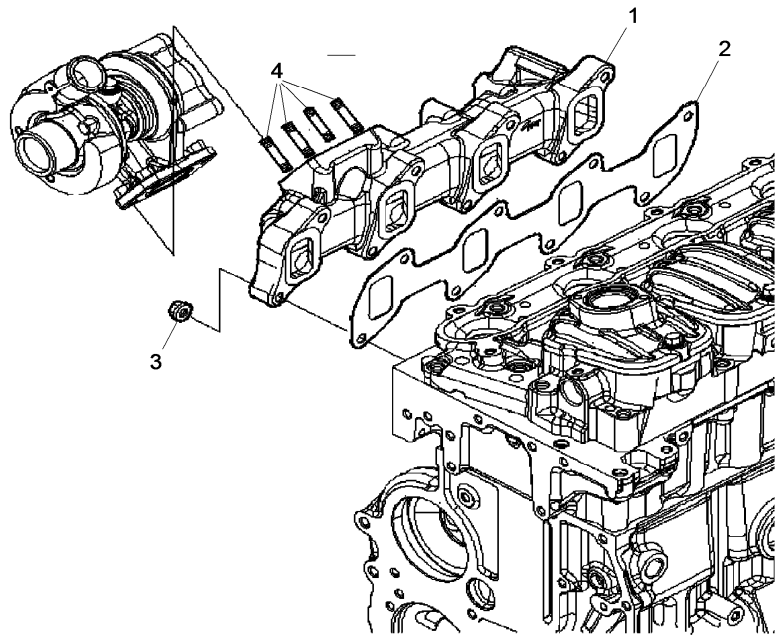
RS37\00046581.png

A-05
12



A0512

Exhaust manifold



Inglese

- | | | |
|---|----------------|------------|
| - | A | |
| 1 | 6532489M1 | 1 Manifold |
| 2 | 6532490M1 | 1 Gasket |
| 3 | 6532491M1 | 8 Nut |
| 4 | 6532492M1 | 4 Stud |
| ◄ | Length | |
| A | For model 9095 | |

Engine

9-7 Series (2014-) - RS37 - 9095 - 90105 ISM

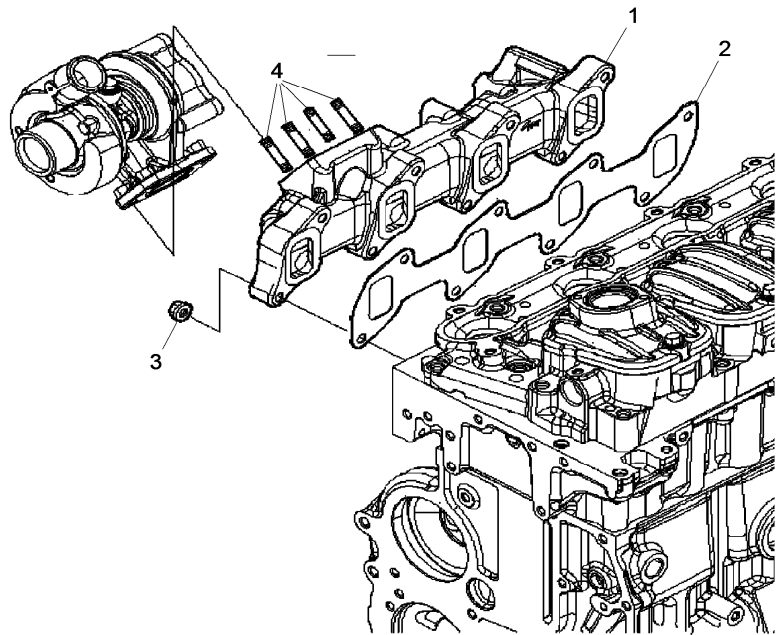
RS37\00046581.png

A-05
125



A05125

Exhaust manifold



Inglese

- | | | |
|---|-----------------|------------|
| - | A | |
| 1 | 6532493M1 | 1 Manifold |
| 2 | 6532490M1 | 1 Gasket |
| 3 | 6532491M1 | 8 Nut |
| 4 | 6532492M1 | 4 Stud |
| ◄ | Length | |
| A | For model 90105 | |

Engine

9-7 Series (2014-) - RS37 - 9095 - 90105 ISM

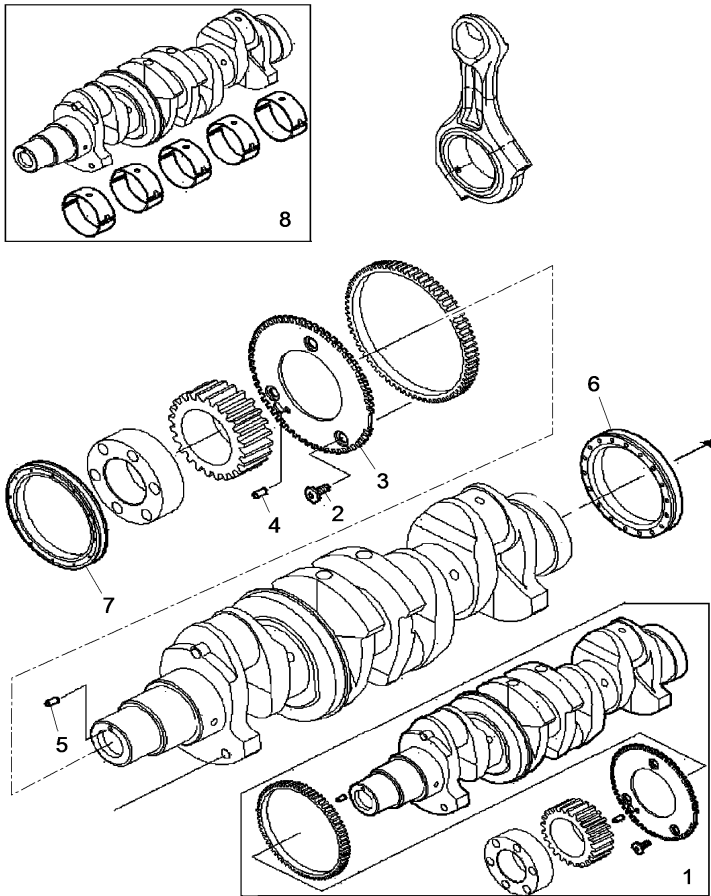
RS37\00046586.png

A-05
13



A0513

Crankshaft



		Inglese	
1	6532494M91		1 Shaft
2	6532495M1	◄►	M6x1
3	6532496M1		1 Gear
4	6532497M1	∅	5,5 mm
5	6532498M1	∅	4 mm
6	6532499M1		1 Ring
7	6532500M1		1 Ring
8	6532501M1		1 Cuscinet
8	6532502M1	⊗	-0,254 mm
8	6532503M1	⊗	-0,508 mm
⊗	Shim		
◄►	Length		
∅	Diameter		

Engine

9-7 Series (2014-) - RS37 - 9095 - 90105 ISM

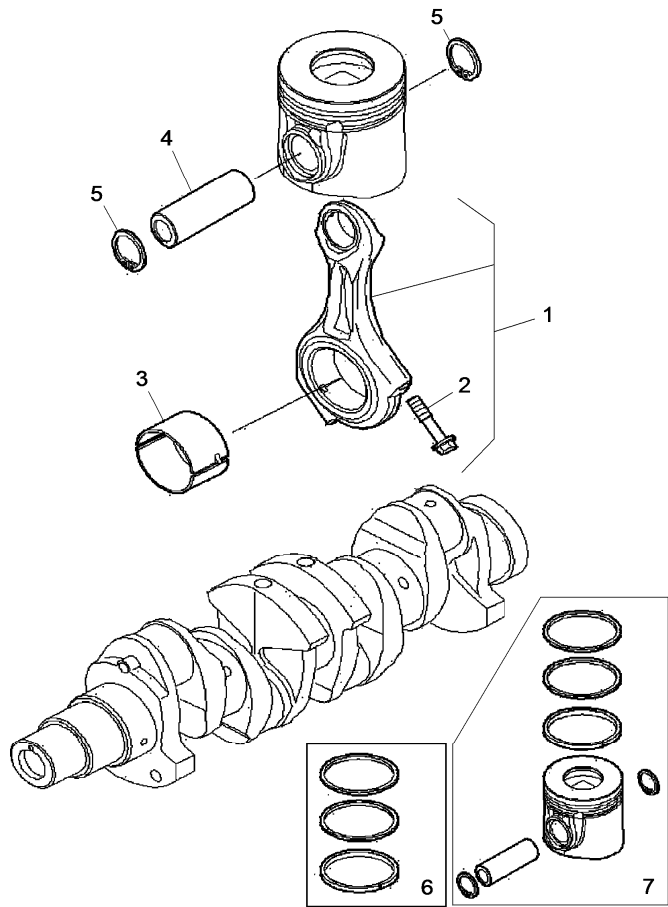
RS37\00046587.png

**A-05
14**



A0514

Crankshaft, pistons and connecting rods



		Inglese
1	6532912M91	4 Conrod
2	6532913M1 ! 1	2 Screw
3	6532914M1	4 Cuscinet
3	6532915M1 ✕ -0,254 mm	4 Cuscinet
3	6532916M1 ✕ -0,508 mm	4 Cuscinet
4	6532917M1	4 Pin
5	6532918M1	8 Ring
6	6532919M1	4 Ring
6	6532920M1 ✕ +0,4 mm	4 Ring
7	6532921M91	4 Piston
7	6532922M91 ✕ +0,4 mm	4 Piston
!	This is a component of an assembly	
✕	Shim	

Engine

9-7 Series (2014-) - RS37 - 9095 - 90105 ISM

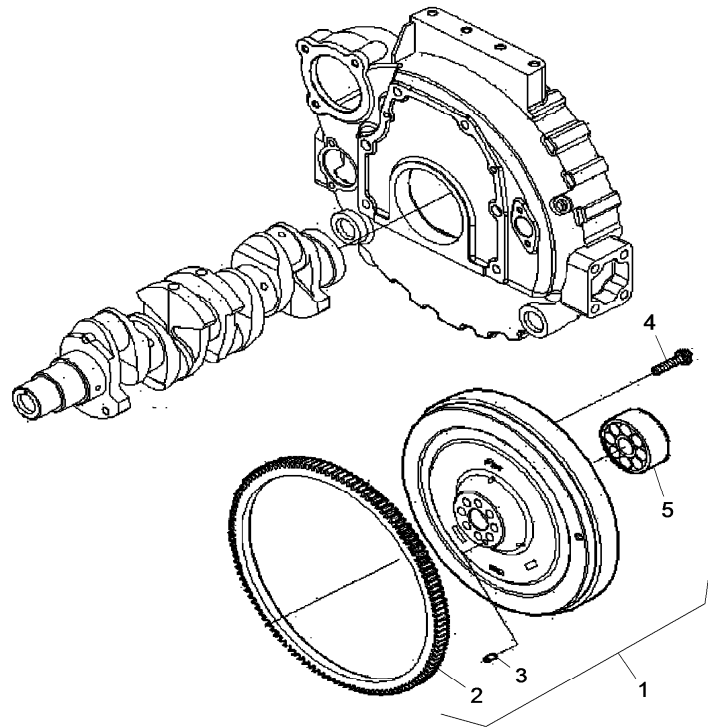
RS37\00046588.png

A-05
15



A0515

Flywheel



- 1 6532923M91
- 2 6532924M1 ! 1
- 3 6532925M1 Ø 8 mm ! 1
- 4 6532926M1
- 5 6532927M1 ! 1
- ! This is a component of an assembly
- Ø Diameter

Inglese

- 1 Flywheel
- 1 Crownwheel
- 1 Dowel
- 8 Screw
- 1 Cuscinet



Suggest:

For more complete manuals. Please go to the home page.

<https://www.ebooklibonline.com>

If the above button click is invalid. Please download this document first, and then click the above link to download the complete manual.

Thank you so much for reading

Engine

9-7 Series (2014-) - RS37 - 9095 - 90105 ISM

RS37\00046589.png

A-05
16

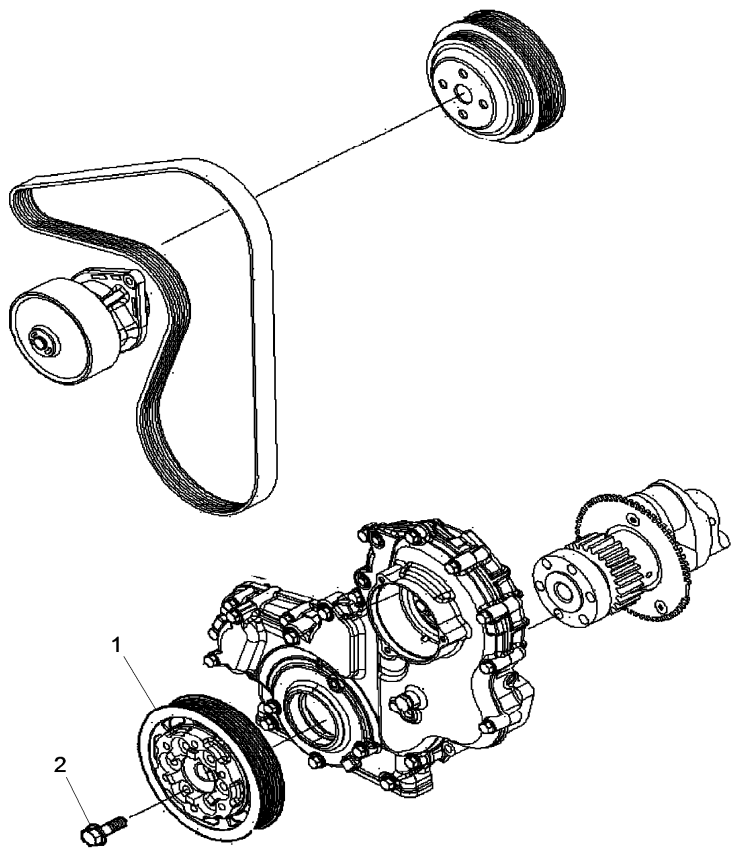


A0516

Pulley

Inglese

- 1 6532928M1
 - 2 706310A1 ◀▶ M10x30
 - ◀▶ Length
- 1 Pulley
6 Screw



Engine

9-7 Series (2014-) - RS37 - 9095 - 90105 ISM

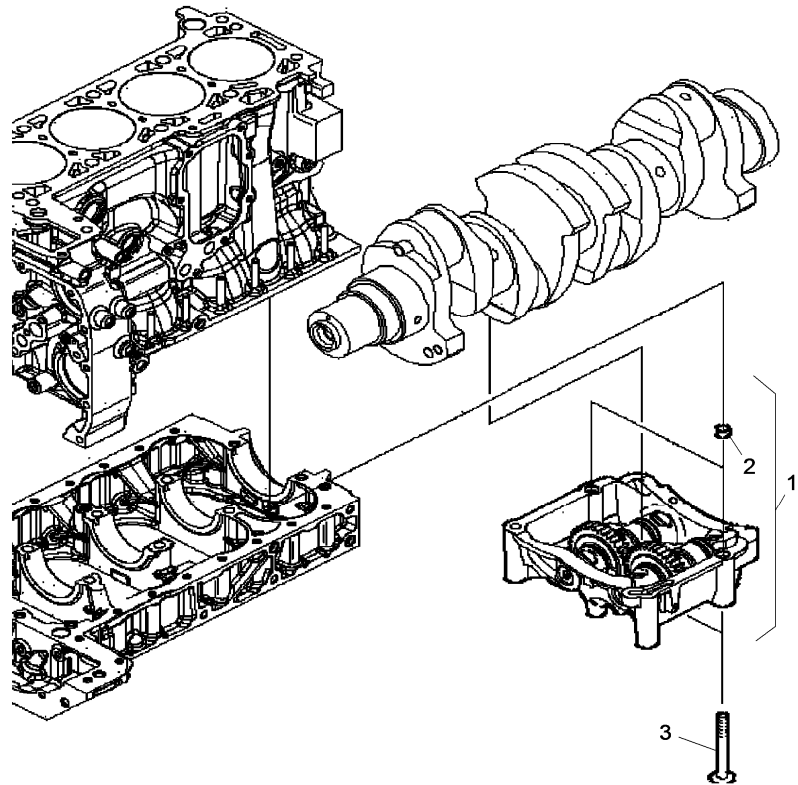
RS37\00046590.png

A-05
17



A0517

Additional masses



- 1 6532929M91
- 2 6532930M1 ! 1
- 3 4206605M1 ◀▶ M10x90
- ! This is a component of an assembly
- ◀▶ Length

Inglese

- 1 Support
- 2 Dowel
- 4 Screw

<https://www.ebooklibonline.com>

Hello dear friend!

Thank you very much for reading.

Enter the link into your browser.

The full manual is available for immediate download.

<https://www.ebooklibonline.com>