

Engine

9-7 Series (2014- ) - RS37 - 7070 - 7080 ARM

RS37\00045923.png

A-05  
01



A0501

Engine assembly



			Inglese
1	6513477M91	"fpt" 55 kw	1 Engine
		B	
1	6513478M91	"fpt" 48 kw	1 Engine
		A	
A	For model 7070		
B	For model 7080		

Engine

9-7 Series (2014- ) - RS37 - 7070 - 7080 ARM

RS37\00046519.png

A-05  
015



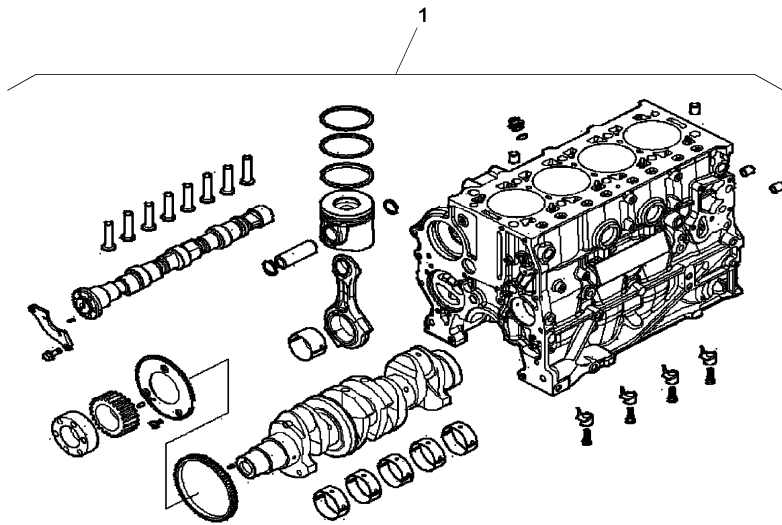
A05015

Short engine

1 6532330M91

Inglese

1 Short engine



Engine

A-05  
02

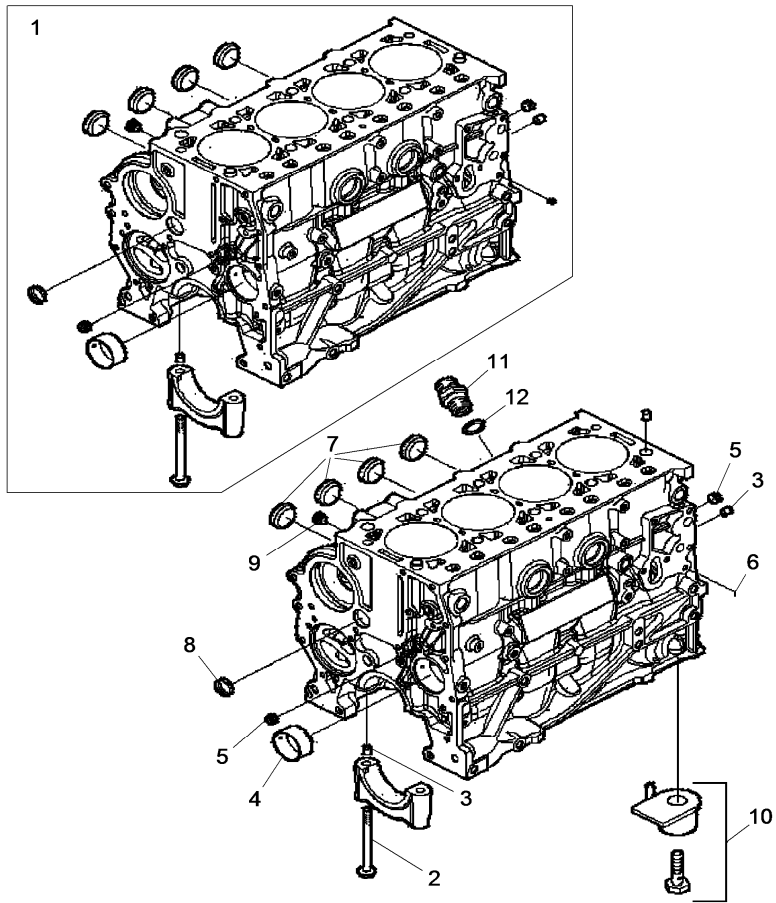
Crankcase

9-7 Series (2014- ) - RS37 - 7070 - 7080 ARM



A0502

RS37\00046520.png



Inglese

- |    |            |                |    |          |
|----|------------|----------------|----|----------|
| 1  | 6532333M91 |                | 1  | Block    |
| 2  | 3688673M1  | ◄► M12x120     | 10 | Screw    |
|    |            | ● 704696A1(10) |    |          |
| 3  | 6532334M1  |                | 14 | Dowel    |
| 4  | 3688759M1  |                | 1  | Bearing  |
| 5  | 6532335M1  | ∅ 3/8"         | 3  | Plug     |
| 6  | 6532336M1  | ∅ 1/8"         | 4  | Plug     |
| 7  | 6532337M1  | ∅ 40 mm        | 6  | Plug     |
| 8  | 6532338M1  | ∅ 30 mm        | 1  | Plug     |
| 9  | 6532339M1  | M14x1,5        | 1  | Plug     |
| 10 | 6532340M1  |                | 4  | Splasher |
| 11 | 6532341M1  | M14x1,5        | 1  | Filler   |
| 12 | 6532342M1  | ∅ 13-19        | 1  | Ring     |

- ◄► Length
- ∅ Diameter
- Replacement

**<https://www.ebooklibonline.com>**

Hello dear friend!

Thank you very much for reading.

Enter the link into your browser.

The full manual is available for immediate download.

**<https://www.ebooklibonline.com>**

Engine

9-7 Series (2014- ) - RS37 - 7070 - 7080 ARM

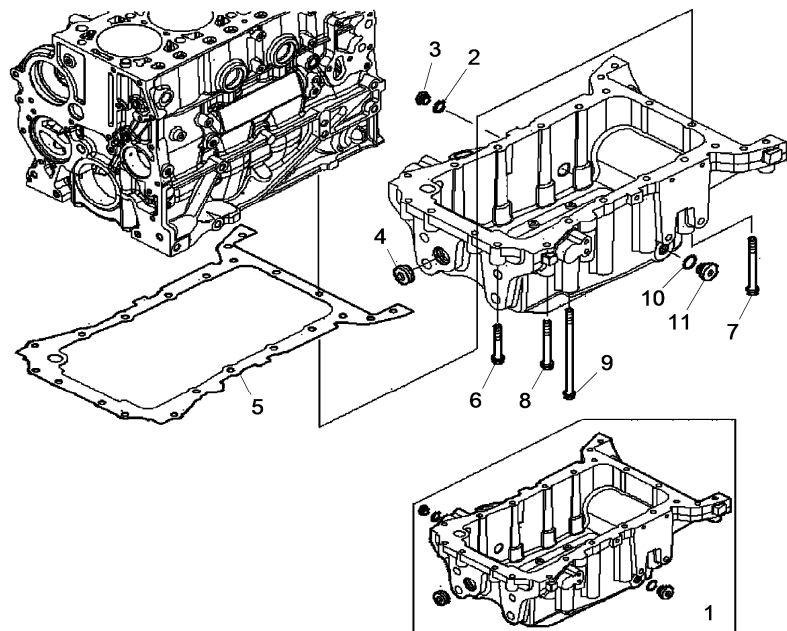
RS37\00046529.png

A-05  
03



A0503

Oil sump



		Inglese
1	6532343M91	1 Pan
2	6532344M1 16x24x1,5	1 Ring
3	6532346M1 M16x1,5	1 Plug
4	6532345M1 M35x1,5	1 Plug
5	6532347M1	1 Gasket
6	6532348M1 ◀▶ M10x55	8 Screw
7	3688943M1 ◀▶ M10x110	2 Screw
8	6532355M1 ◀▶ M10x1,5x80	4 Screw
9	6532356M1	8 Screw
10	3688997M1 2,62x23,47	2 Ring
11	3688691M1 M22x1,5	2 Plug
◀▶	Length	

Engine

9-7 Series (2014- ) - RS37 - 7070 - 7080 ARM

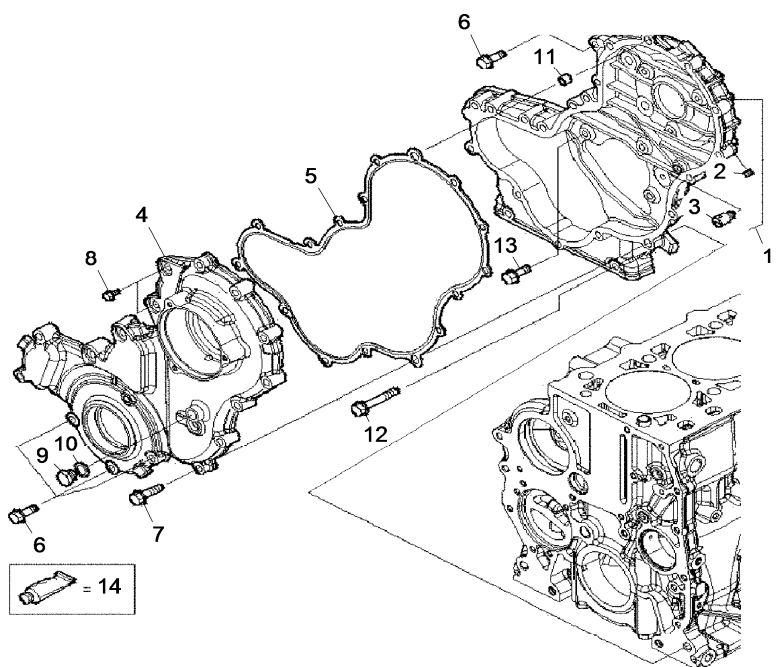
A-05  
04



A0504

Crankcase covers

RS37\00046565.png



 - 14

		Inglese
1	6532358M91	1 Box
2	6532336M1 ! 1	1 Plug
3	6532359M1 ! 1	1 Nozzle
4	6532360M1	1 Coperch.
5	6532361M1	1 Gasket
6	710626A1 ◀▶ M8x25	4 Screw
7	6532364M1 ◀▶ M8x35	13 Screw
8	6532365M1 ◀▶ M22x103	2 Screw
9	6532370M1 ◀▶ M14x1,5	1 Plug
10	6532371M1 14x19,5x1,5	1 Gasket
11	6513439M1	4 Screw
12	6532388M1 ◀▶ M8x50	6 Screw
13	6532389M1 ◀▶ M8x12	5 Screw
14	6500933M1	999 Loctite
!	This is a component of an assembly	
◀▶	Length	

Engine

9-7 Series (2014- ) - RS37 - 7070 - 7080 ARM

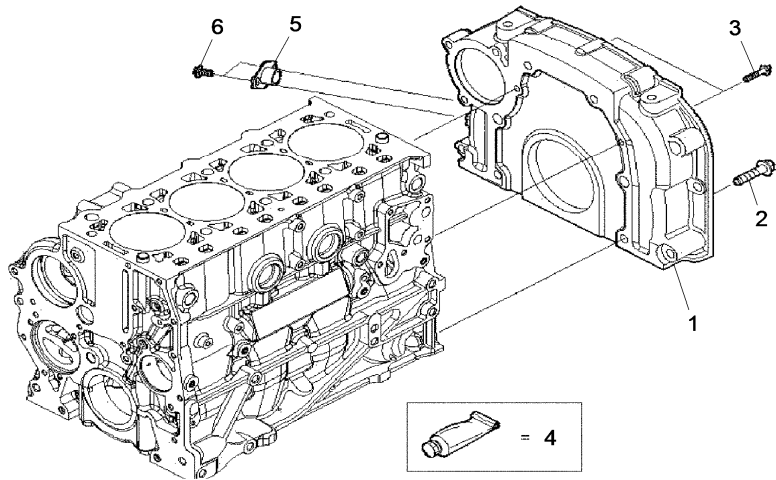
RS37\00046566.png

A-05  
05



A0505

Flywheel housing



- |   |           |    |                |              |             |
|---|-----------|----|----------------|--------------|-------------|
| 1 | 6532390M1 |    |                | Inglese      | 1 Crankcase |
| 2 | 6532391M1 | ◄► | M12x40         |              | 6 Screw     |
| 3 | 6532392M1 | ◄► | M8x25          |              | 2 Screw     |
| 4 | 6532393M1 | ●  | 6500933M1(999) | 999 Adhesive |             |
| 5 | 6532394M1 |    |                |              | 1 Plate     |
| 6 | 6532395M1 | ◄► | M8x1,25        |              | 2 Screw     |
- ◄► Length  
● Replacement

Engine

9-7 Series (2014- ) - RS37 - 7070 - 7080 ARM

RS37\00046567.png

A-05  
06



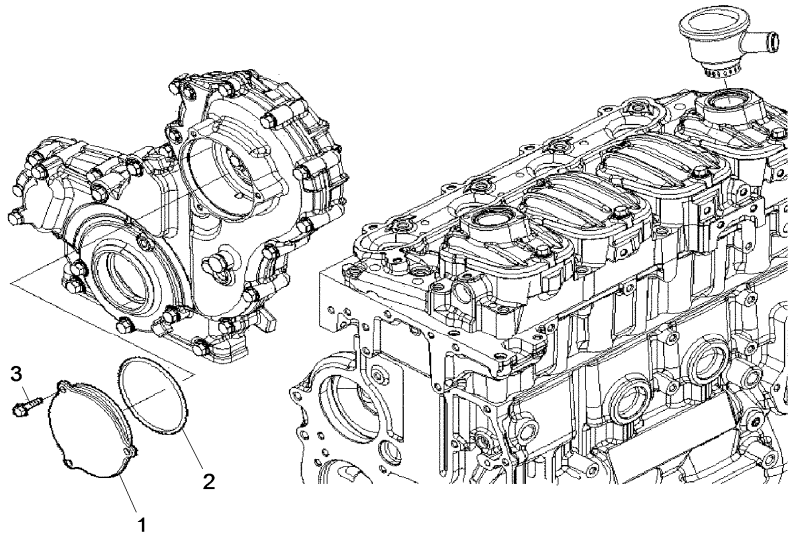
A0506

Engine breathers

- 1 6532396M1
- 2 6532397M1
- 3 6532398M1 ◀▶ M6x18
- ◀▶ Length

Inglese

- 1 Coperch.
- 1 Ring
- 3 Screw



Engine

9-7 Series (2014- ) - RS37 - 7070 - 7080 ARM

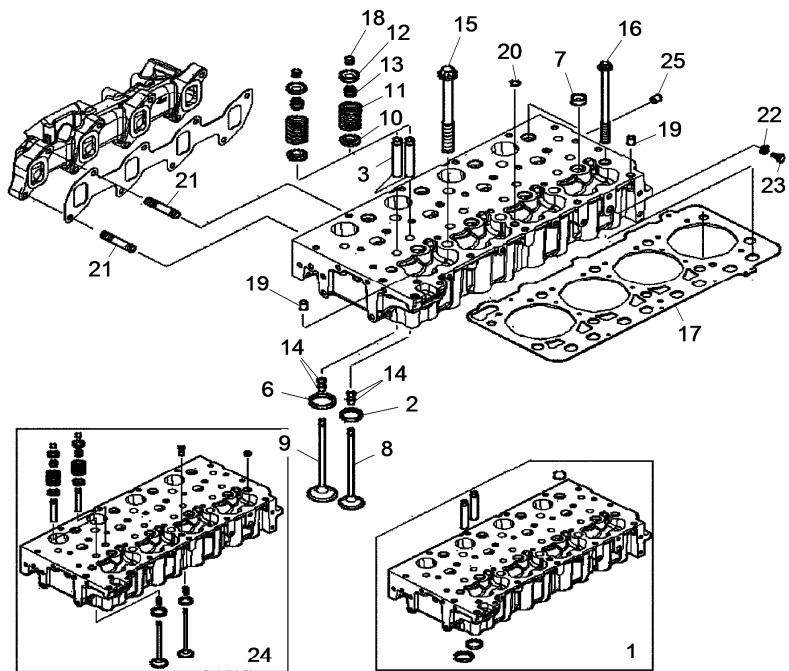
RS37\00046568.png

A-05  
07



A0507

Head cylinder



- 1 6532399M1
- 2 6532400M1
- 3 6532401M1
- 3 6532402M1  $\nabla$  +0,10
- 3 6532403M1  $\nabla$  +0,20
- 6 6532404M1
- 7 6532405M1  $\varnothing$  20 mm
- 8 6532406M1 A
- 9 6532407M1 B
- 10 6532408M1
- 11 6532409M1
- 12 6532410M1
- 13 6532411M1
- 14 6532412M1  $\varnothing$  7,85 mm
- 15 6532413M1  $\blacktriangleleft$  M15x193
- 16 6532414M1  $\blacktriangleleft$  M12x165
- 17 6532415M1
- 18 6532416M1
- 19 6513439M1  $\varnothing$  8,5 mm
- 20 6532417M1 10,7x2,6
- 21 6532418M1  $\blacktriangleleft$  M8x12x45
- 22 6532419M1 12x18x1,5
- 23 6532420M1 M12x1,5
- 24 6532421M1

Inglese

- 1 Head
- 4 Valve seat
- 8 Guide
- 8 Guide
- 8 Guide
- 4 Valve seat
- 8 Plug
- 4 Valve
- 4 Valve
- 8 Cup
- 8 Spring
- 8 Cup
- 8 Protection cap
- 16 Cone
- 6 Screw
- 4 Screw
- 1 Gasket
- 8 Cap
- 3 Screw
- 1 Ring
- 8 Screw
- 1 Gasket
- 1 Plug
- 1 Head

Engine

9-7 Series (2014- ) - RS37 - 7070 - 7080 ARM

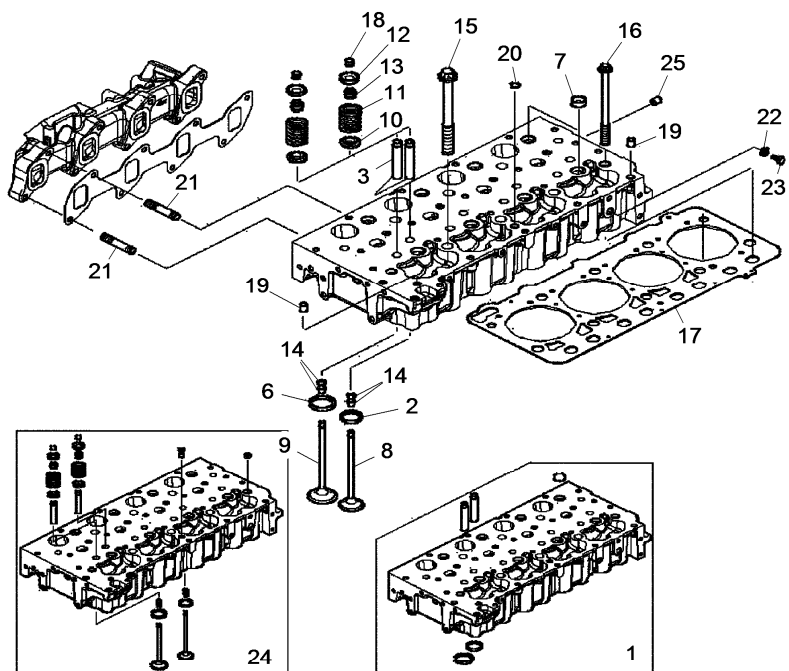
RS37\00046568.png

A-05  
07



A0507

Head cylinder



Inglese

25 6532338M1 Ø 30 mm

1 Plug

✕ Shim

◄ Length

Ø Diameter

A Inlet

B Exhaust

Engine

9-7 Series (2014- ) - RS37 - 7070 - 7080 ARM

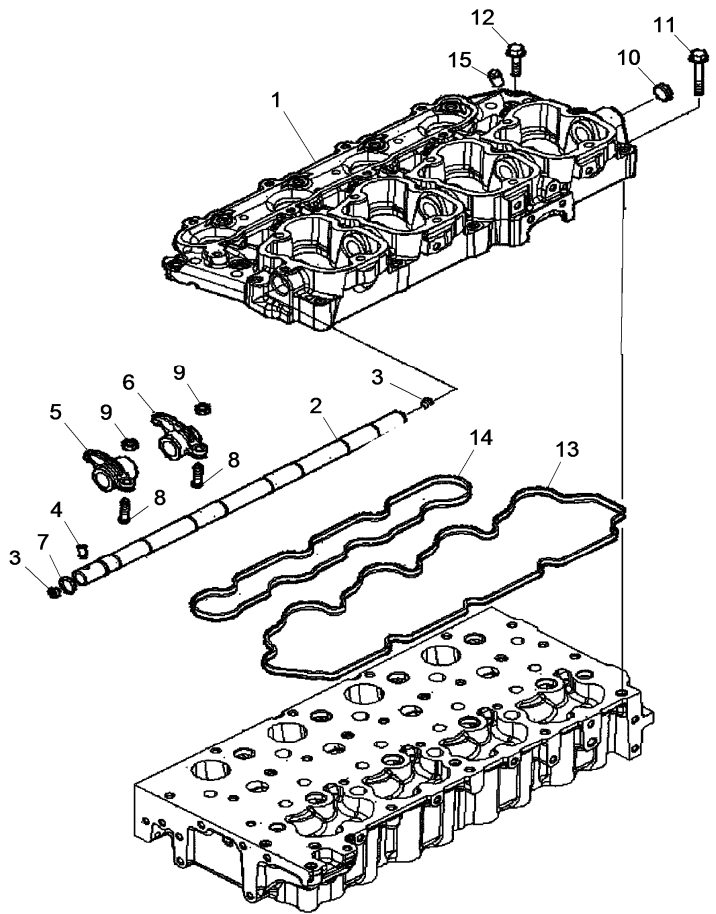
RS37\00046570.png

A-05  
08



A0508

Cylinder head cover



		Inglese	
1	6532422M1		1 Spacer
2	6532423M1		1 Shaft
3	6532424M1	∅ 12 mm	2 Plug
4	6532425M1		1 Screw
5	6532430M1	A	4 Rocker
6	6532431M1	B	4 Rocker
7	13,9x2,6	1 Ring	
8	6532432M1		8 Screw
9	6532433M1		8 Nut
10	6532434M1	∅ 20 mm	1 Plug
11	6532388M1	◄► M8x50	10 Screw
12	3688942M1	◄► M8x30	11 Screw
		● 706309A1(11)	
13	6532435M1		1 Gasket
14	6532436M1		1 Gasket
15	6532437M1	M12x1,5	4 Plug

- ◄► Length
- ∅ Diameter
- Replacement
- A Discharge
- B Exhaust

Engine

9-7 Series (2014- ) - RS37 - 7070 - 7080 ARM

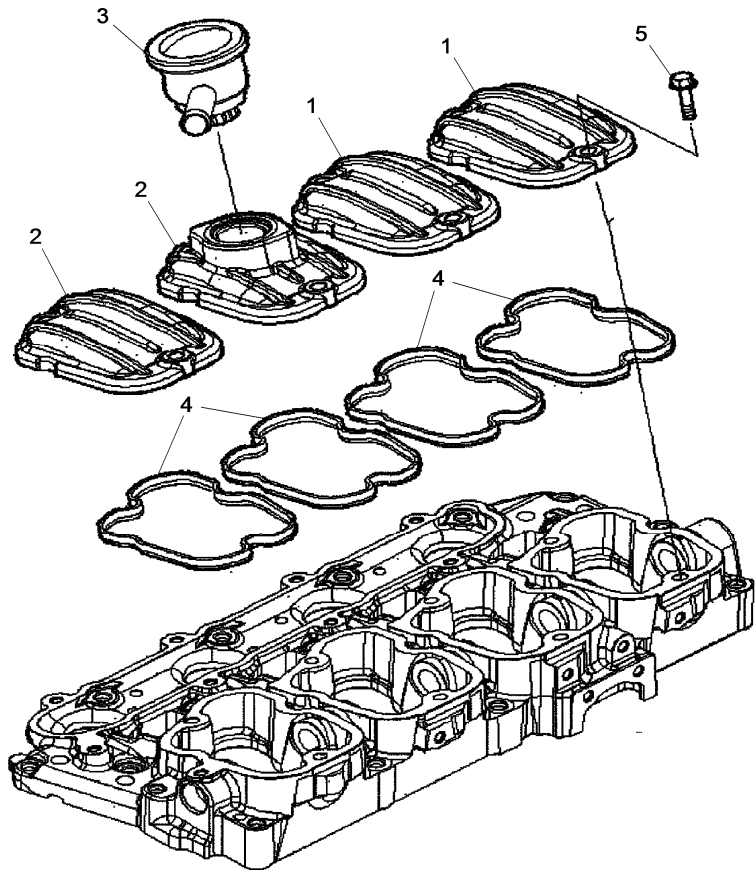
A-05  
09



A0509

Cylinder head cover

RS37\00046571.png



- 1 6532438M1
  - 2 6532439M1
  - 3 6532440M1
  - 4 6532441M1
  - 5 6532364M1
- ◀▶ Length      ▶▶ M8x35

- Inglese**
- 3 Coperch.
  - 1 Coperch.
  - 1 Vent
  - 4 Gasket
  - 8 Screw

Engine

9-7 Series (2014- ) - RS37 - 7070 - 7080 ARM

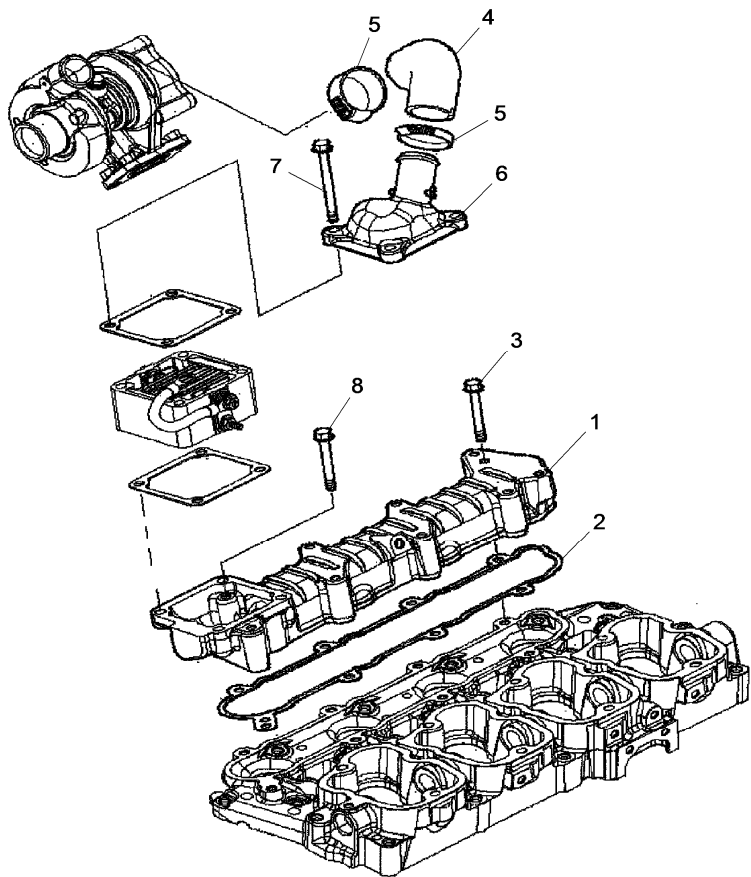
RS37\00046573.png

A-05  
10



A0510

Induction manifold



- 1 6532451M1
- 2 6532452M1
- 3 6532453M1 ◀▶ M8x40
- 4 6532454M1
- 5 6532455M1
- 6 6532456M1
- 7 6532457M1 ◀▶ M8x70
- 8 6532458M1 ◀▶ M8x1,5x55
- ◀▶ Length

Inglese

- 1 Duct
- 1 Gasket
- 7 Screw
- 1 Sleeve
- 2 Collar
- 1 Pipe
- 4 Screw
- 1 Screw

Engine

9-7 Series (2014- ) - RS37 - 7070 - 7080 ARM

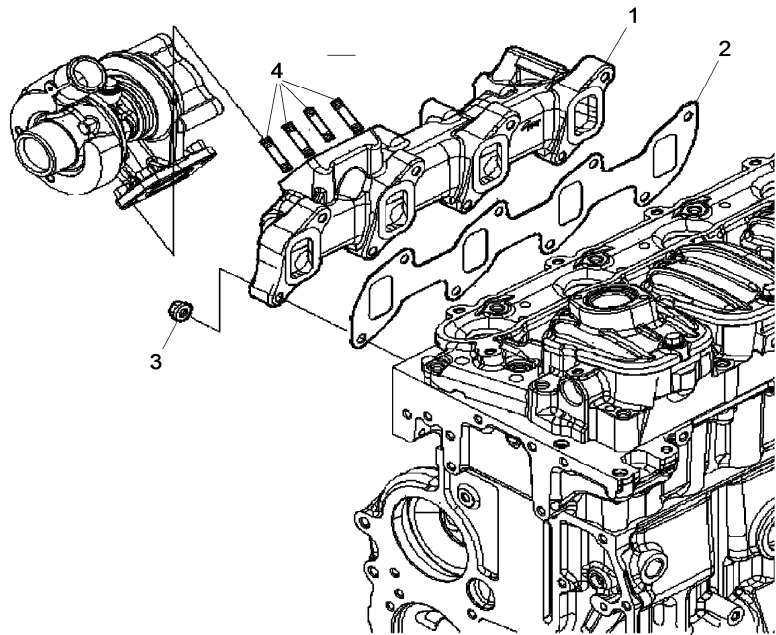
RS37\00046581.png

A-05  
12



A0512

Exhaust manifold



- 1 6532489M1
- 2 6532490M1
- 3 6532491M1
- 4 6532492M1 ◀▶ M8x20
- ◀▶ Length

Inglese

- 1 Manifold
- 1 Gasket
- 8 Nut
- 4 Stud

Engine

9-7 Series (2014- ) - RS37 - 7070 - 7080 ARM

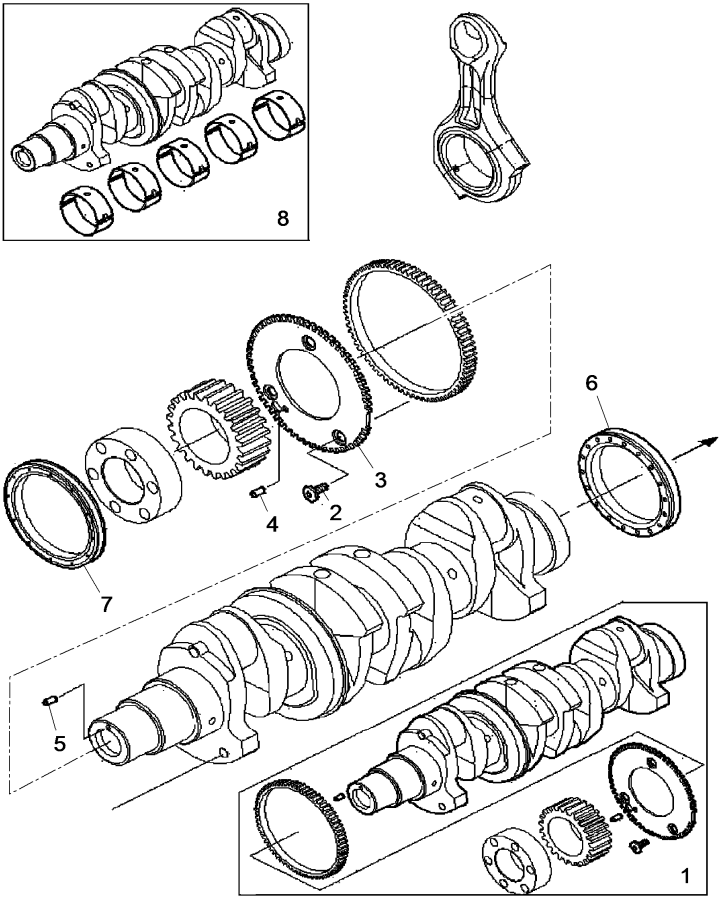
RS37\00046586.png

A-05  
13



A0513

Crankshaft



- 1 6532494M91
  - 2 6532495M1 ◀▶ M6x1
  - 3 6532496M1
  - 4 6532497M1 Ø 5,5 mm
  - 5 6532498M1 Ø 4 mm
  - 6 6532499M1
  - 7 6532500M1
  - 8 6532501M1
  - 8 6532502M1 ⚡ -0,254 mm
  - 8 6532503M1 ⚡ -0,508 mm
- ⚡ Shim  
▶◀ Length  
Ø Diameter

Inglese

- 1 Shaft
- 3 Screw
- 1 Gear
- 1 Dowel
- 1 Dowel
- 1 Ring
- 1 Ring
- 1 Cuscinet
- 1 Cuscinet
- 1 Cuscinet

Engine

9-7 Series (2014- ) - RS37 - 7070 - 7080 ARM

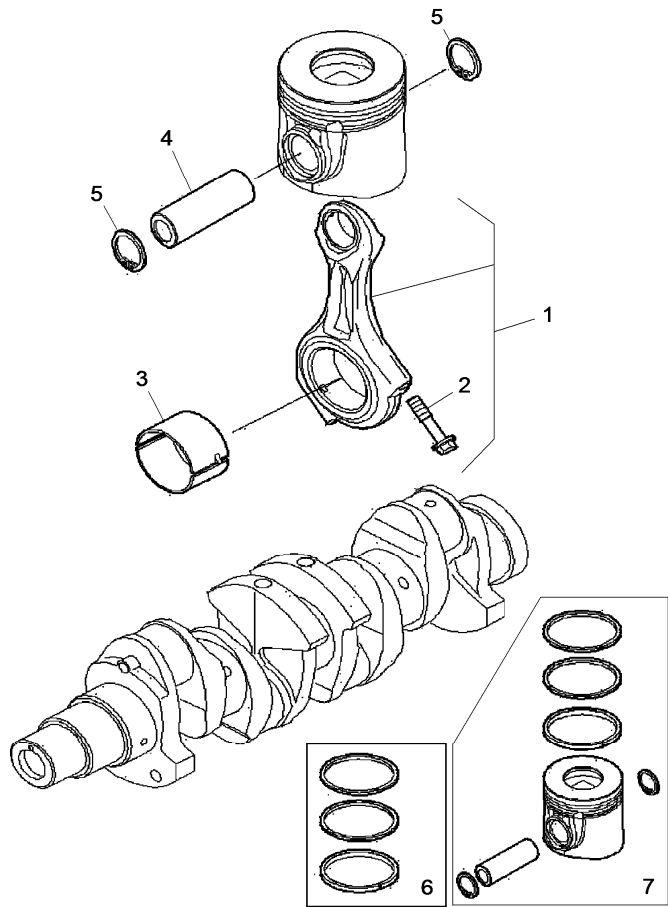
RS37\00046587.png

**A-05  
14**



A0514

Crankshaft, pistons and connecting rods



- 1 6532912M91
- 2 6532913M1 ! 1
- 3 6532914M1
- 3 6532915M1 ✕ -0,254 mm
- 3 6532916M1 ✕ -0,508 mm
- 4 6532917M1
- 5 6532918M1
- 6 6532919M1
- 6 6532920M1 ✕ +0,4 mm
- 7 6532921M91
- 7 6532922M91 ✕ +0,4 mm
- ! This is a component of an assembly
- ✕ Shim

**Inglese**

- 4 Conrod
- 2 Screw
- 4 Cuscinet
- 4 Cuscinet
- 4 Cuscinet
- 4 Pin
- 8 Ring
- 4 Ring
- 4 Ring
- 4 Piston
- 4 Piston

Engine

9-7 Series (2014- ) - RS37 - 7070 - 7080 ARM

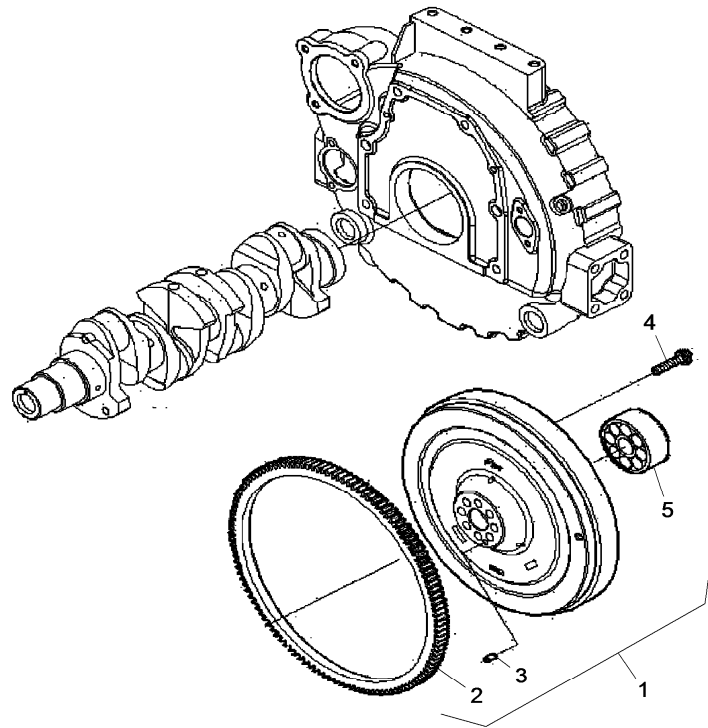
RS37\00046588.png

A-05  
15



A0515

Flywheel



- 1 6532923M91
- 2 6532924M1 ! 1
- 3 6532925M1 Ø 8 mm ! 1
- 4 6532926M1
- 5 6532927M1 ! 1
- ! This is a component of an assembly
- Ø Diameter

Inglese

- 1 Flywheel
- 1 Crownwheel
- 1 Dowel
- 8 Screw
- 1 Cuscinet

Engine

9-7 Series (2014- ) - RS37 - 7070 - 7080 ARM

RS37\00046589.png

A-05  
16

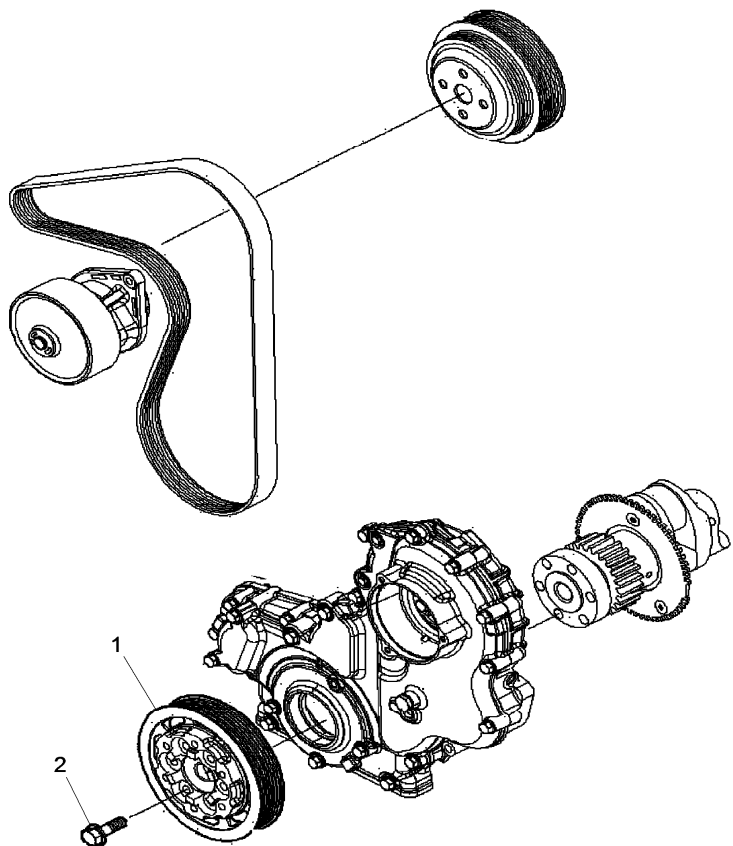


A0516

Pulley

Inglese

- 1 6532928M1
  - 2 706310A1 ◀▶ M10x30
  - ◀▶ Length
- 1 Pulley  
6 Screw



Engine

9-7 Series (2014- ) - RS37 - 7070 - 7080 ARM

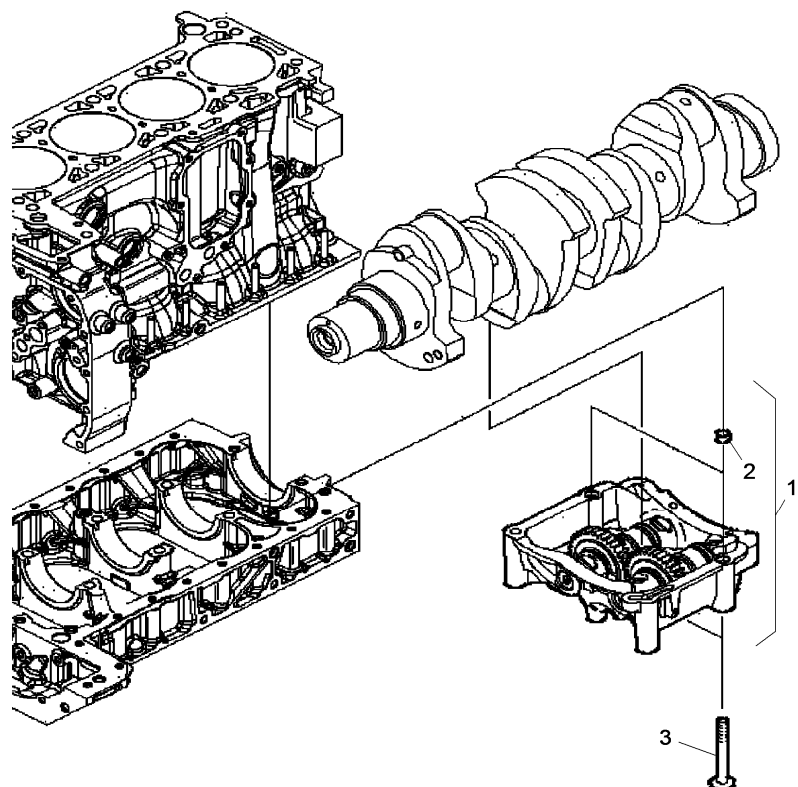
RS37\00046590.png

A-05  
17



A0517

Additional masses



- 1 6532929M91
- 2 6532930M1 ! 1
- 3 4206605M1 ◀▶ M10x90
- ! This is a component of an assembly
- ◀▶ Length

Inglese

- 1 Support
- 2 Dowel
- 4 Screw



**Suggest:**

**For more complete manuals. Please go to the home page.**

**<https://www.ebooklibonline.com>**

**If the above button click is invalid. Please download this document first, and then click the above link to download the complete manual.**

**Thank you so much for reading**

Engine

9-7 Series (2014- ) - RS37 - 7070 - 7080 ARM

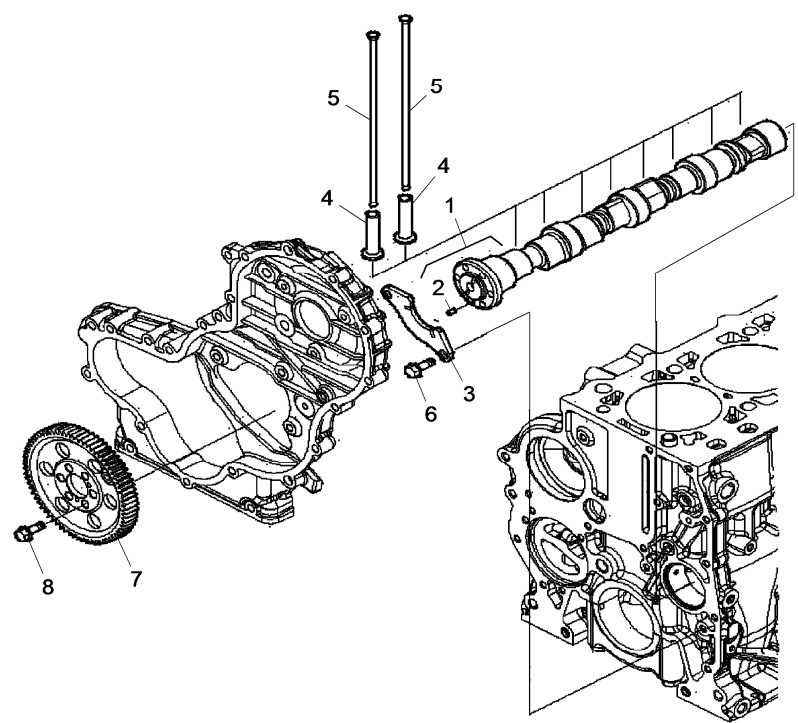
RS37\00046605.png

A-05  
18



A0518

Rocker shaft



- 1 6532942M91
- 2 3688991M1 ! 1
- 3 3688818M1 ● 704931A1(1)
- 4 6532943M1
- 5 6532944M1
- 6 3688941M1 ◄► M8x20  
● 710625A1(2)
- 7 6532945M1
- 8 3688941M1 ◄► M8x20  
● 710625A1(6)

Inglese

- 1 Shaft
- 1 Screw
- 1 Stirrup
- 8 Cam
- 8 Rod
- 2 Screw
- 1 Gear
- 6 Screw

! This is a component of an assembly  
 ◄► Length  
 ● Replacement

Engine

9-7 Series (2014- ) - RS37 - 7070 - 7080 ARM

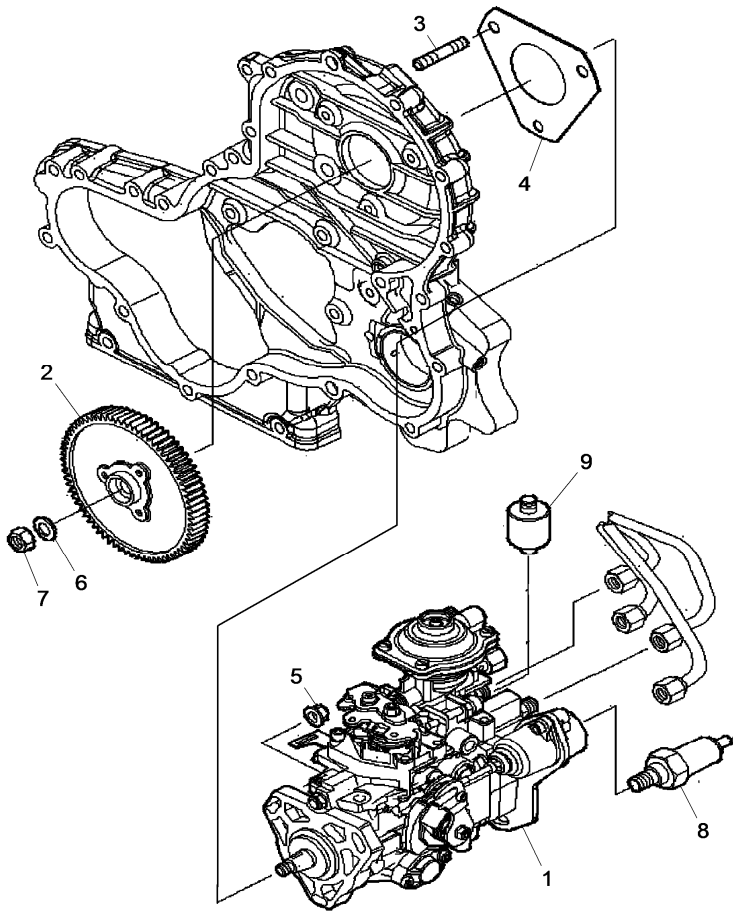
RS37\00046606.png

A-05  
19



A0519

Injection pump



- 
- 1 6532956M91
- 2 6532948M1
- 3 6532949M1 ◀▶ M8x30
- 4 710622A1
- 5 6532950M1
- 6 6532951M1
- 7 6532952M1
- 8 6532953M1
- 9 4208167M1
- ◀▶ Length
- A For model 7070

Inglese

- 1 Pump
- 1 Gear
- 3 Screw
- 1 Gasket
- 3 Nut
- 1 Lock washer
- 1 Nut
- 1 Sensor
- 1 Magneto

**<https://www.ebooklibonline.com>**

Hello dear friend!

Thank you very much for reading.

Enter the link into your browser.

The full manual is available for immediate download.

**<https://www.ebooklibonline.com>**