

Engine

4600 (2012- ) - RS02 - 4655 ISM-VRM-ARM

RS02\00040948.png

A-05  
01



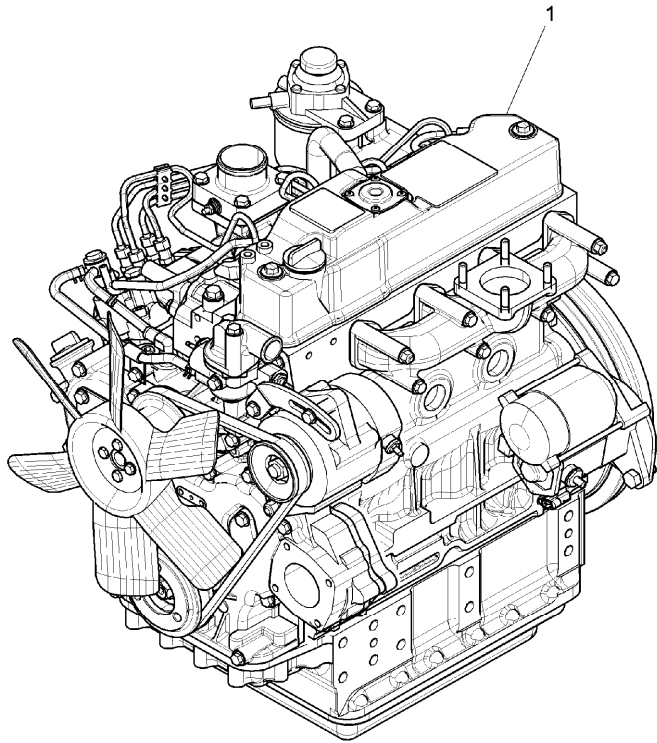
A0501

Engine assembly

Inglese

1 6505193M91

Yanmar 4tnv88 - 4 1 Engine



Engine

4600 (2012- ) - RS02 - 4655 ISM-VRM-ARM

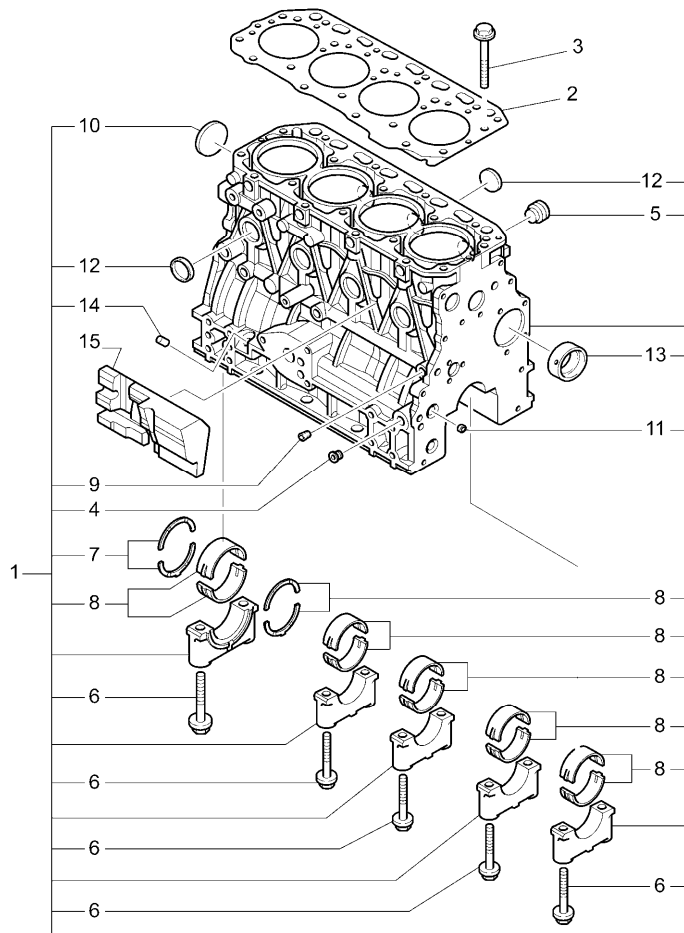
RS02\00012555.png

A-05  
02



A0502

Cylinder block



				Inglese
1	3681363M1	T-A	33:50	1 Kit
4	3678007M1	!	1	1 Plug
5	3664445M1	!	1	1 Plug
6	3653316M1	!	1	2 Plug
7	3653796M1	!	1	1 Plug
8	3653429M1	!	1	10 Bolt
11	4215962M1	!	1	1 Bush
12	3653888M1	!	1	2 Plug
13	3653889M1	!	1	8 Plug
	●		3653889M2(8)	
23	4215968M1	!	1	2 Clamp
26	3653428M1			18 Stud
27	3653740M1			1 Gasket
28	3677943M1			1 Plug
29	4215967M1			5 Kit
32	3653431M2			5 Ring
35	4215970M1			1 Clamp
!				This is a component of an assembly
●				Replacement
T-A				Replacement

Engine

4600 (2012- ) - RS02 - 4655 ISM-VRM-ARM

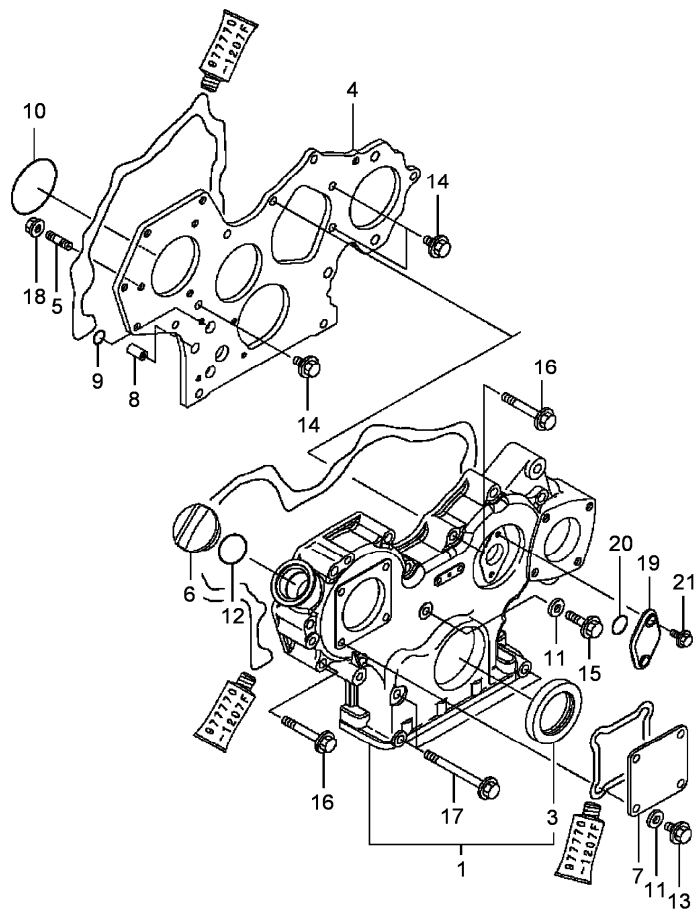
A-05  
03



A0503

Distribution cover

RS02\00042560.png



- 1 6514799M91
- 3 4216143M1 ! 1
- 4 6514800M1
- 5 4215973M1
- 6 3653315M1
- 7 3653320M1
- 8 3653789M1
- 9 3677944M1
- 10 3653310M1
- 11 3653808M1
- 12 3653835M1
- 13 3653858M1
- 14 3653858M1
- 15 3666895M1
- 16 3653865M1
- 17 3679984M1
- 18 3666905M1
- 19 4215980M1
- 20 3653841M1
- 21 3653853M1

Inglese

- 1 Housing
- 1 Seal
- 1 Flange
- 3 Bolt
- 1 Plug
- 1 Coperch.
- 2 Bush
- 2 Ring
- 1 Ring
- 5 Washer
- 1 Ring
- 4 Bolt
- 3 Bolt
- 1 Bolt
- 10 Bolt
- 3 Bolt
- 3 Nut
- 1 Coperch.
- 1 Ring
- 2 Bolt

! This is a component of an assembly

**<https://www.ebooklibonline.com>**

Hello dear friend!

Thank you very much for reading.

Enter the link into your browser.

The full manual is available for immediate download.

**<https://www.ebooklibonline.com>**

Engine

4600 (2012- ) - RS02 - 4655 ISM-VRM-ARM

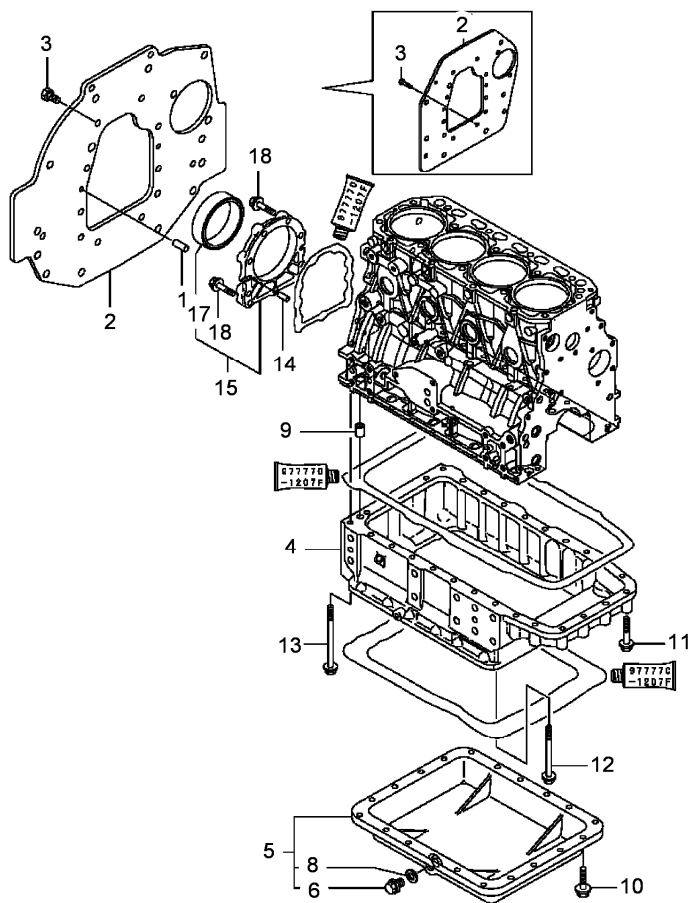
A-05  
04



A0504

Lubricating oil pump and delivery housing

RS02\00042561.png



		Inglese
1	3653378M1	2 Dowel
2	4215991M1	1 Flange
2	6510371M1	1 Flange
3	3653872M1	8 Bolt
3	3653872M1	10 Bolt
4	3685498M1	1 Spacer
5	6514909M91	1 Pan
6	3653253M1	1 Plug
8	3653811M1	1 Bush
9	3686501M1	1 Pipe
10	3653860M1	20 Bolt
11	3653864M1	8 Bolt
12	6510372M1	14 Screw
13	6510373M1	4 Screw
14	3653378M1	2 Dowel
15	3653379M1	1 Housing
17	3653787M1	1 Seal
18	3653772M1	9 Bolt

- ! This is a component of an assembly
- ➔ From serial or engine number
- ➡ Up to serial or engine number
- Replacement

Engine

4600 (2012- ) - RS02 - 4655 ISM-VRM-ARM

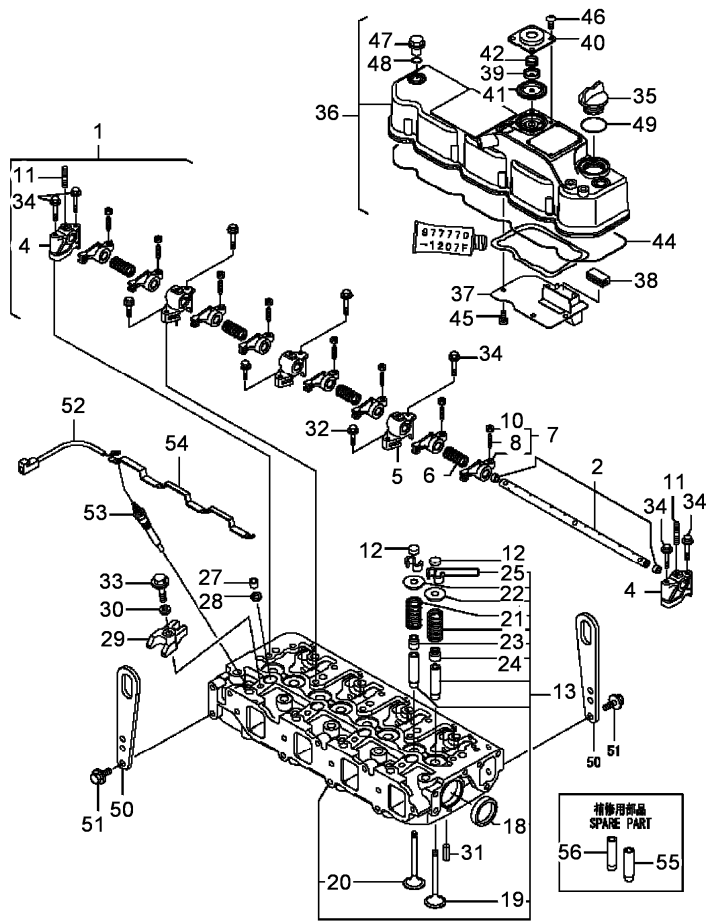
A-05  
05



A0505

Cylinder head-rocker shaft

RS02\00042562.png



- 1 3680184M1
- 2 3680187M1 ! 1
- 4 3680185M1 ! 1
- 5 3680186M1 ! 1
- 6 3653440M1 ! 1
- 7 3680188M1 ! 1
- 8 3653439M1 ! 7
- 10 3653444M1 ! 7
- 11 3653875M1 ! 1
- 12 3653443M1
- 13 6515862M91
- 18 3653890M1 ! 13
- 19 3681364M1 ! 13
- 20 4215994M1 ! 13
- 21 3653792M1 ! 13
- 22 3653793M1 ! 13
- 23 3653304M1 ! 13
- 24 3653323M1 ! 13
- 25 3680181M1 ! 13
- 27 3677971M1
- 28 3653266M1
- 29 3680182M1
- 30 6514910M1 ● 3680183M1(4)
- 3653381M2(4)

Inglese

- 1 Shaft
- 1 Shaft
- 2 Support
- 3 Support
- 4 Spring
- 8 Cam
- 1 Screw
- 1 Nut
- 8 Bolt
- 8 Shim
- 1 Cylinder head
- 2 Plug
- 4 Valve
- 4 Valve
- 8 Spring
- 8 Nameplate
- 4 Thimble
- 4 Thimble
- 8 Cotter
- 4 Guard
- 4 Washer
- 4 Clip
- 4 Washer

Engine

4600 (2012- ) - RS02 - 4655 ISM-VRM-ARM

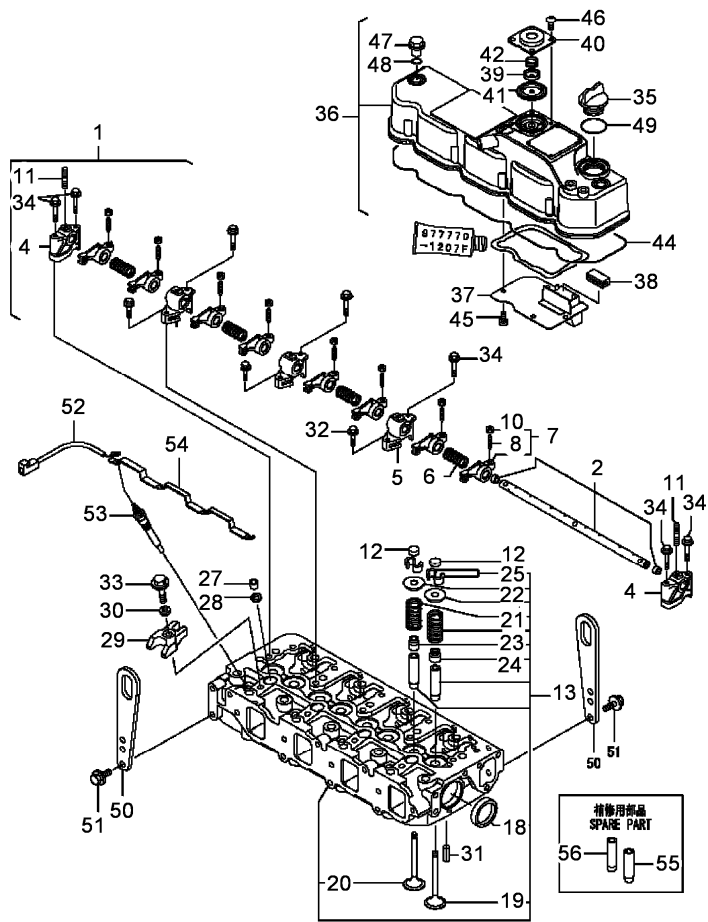
A-05  
05



A0505

Cylinder head-rocker shaft

RS02\00042562.png



- 31 3653818M1
- 32 3653860M1
- 33 3653860M1
- 34 3653860M1
- 35 3653315M1
- 36 3680190M1
- 37 3680191M1 ! 36
- 38 3653435M1 ! 36
- 39 3680210M1 ! 36
- 40 4215999M1 ! 36
- 41 3680212M1 ! 36
- 42 4216001M1 ! 36
- 44 3680214M1 ! 36
- 45 3665010M1 ! 36
- 46 3665010M1 ! 36
- 47 3653317M1
- 48 3653831M1
- 49 3653835M1
- 50 3664580M1
- 51 3653858M1
- 52 6514911M1
- 53 6514912M1
- 54 6514913M1
- 55 3653298M1

Inglese

- 2 Pin
- 3 Bolt
- 4 Bolt
- 7 Bolt
- 1 Plug
- 1 Coperch.
- 1 Plate
- 1 Guard
- 1 Plate
- 1 Coperch.
- 1 Diaphragm
- 1 Spring
- 1 Gasket
- 4 Screw
- 4 Screw
- 3 Plug
- 3 Ring
- 1 Ring
- 2 Cam
- 4 Bolt
- 1 Cable
- 4 Plug
- 1 Connection
- 4 Guide

Engine

4600 (2012- ) - RS02 - 4655 ISM-VRM-ARM

A-05  
05



A0505

Cylinder head-rocker shaft

RS02\00042562.png

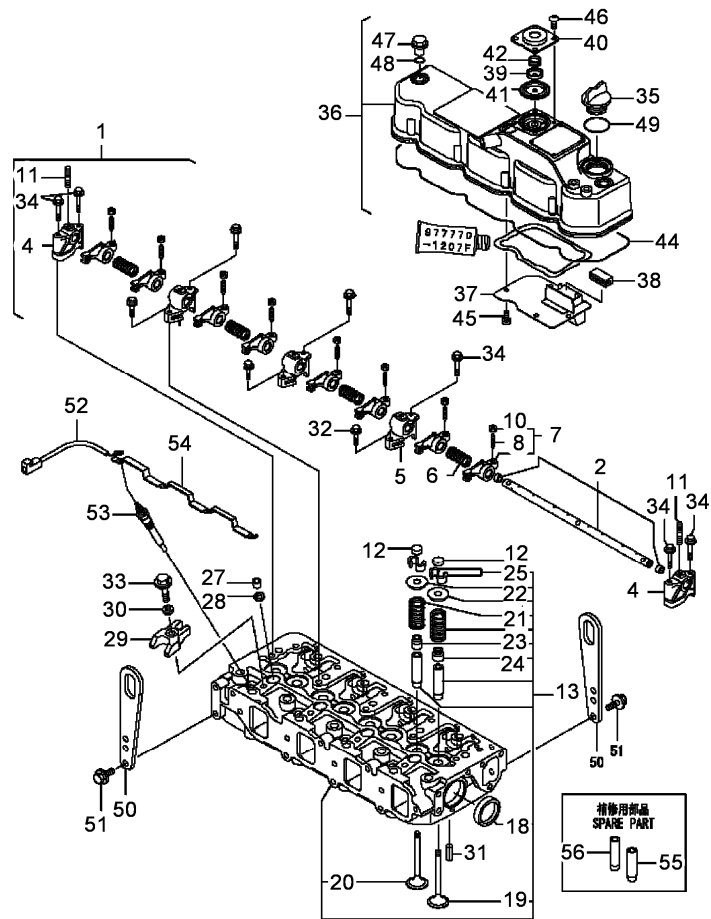
Inglese

56 3653445M1

4 Guide

! This is a component of an assembly

● Replacement



Engine

4600 (2012- ) - RS02 - 4655 ISM-VRM-ARM

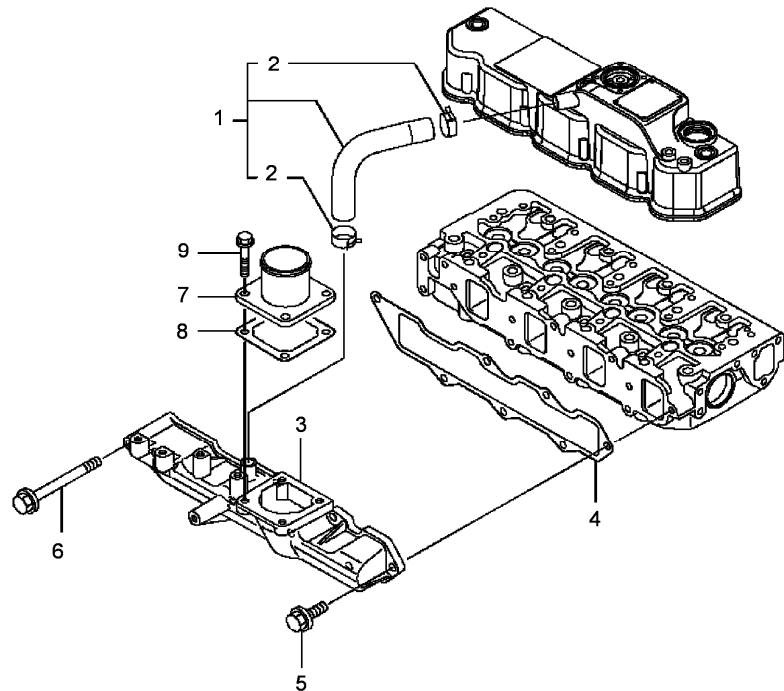
A-05  
06



A0506

Induction manifold

RS02\00042563.png



- 1 3680215M1
- 2 3680216M1 ! 1
- 3 3680217M1
- 4 3680218M1
- 5 3653859M1
- 6 3653868M1
- 7 6514914M1
- 8 3653467M1
- 9 3653859M1

Inglese

- 1 Pipe
- 2 Clamp
- 1 Manifold
- 1 Gasket
- 6 Bolt
- 1 Bolt
- 1 Sleeve
- 1 Gasket
- 1 Bolt

! This is a component of an assembly

Engine

4600 (2012- ) - RS02 - 4655 ISM-VRM-ARM

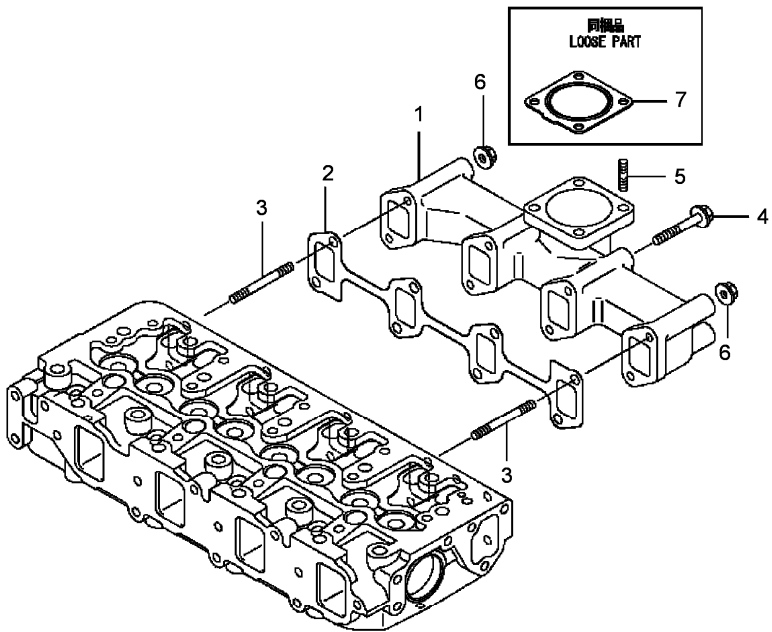
RS02\00042564.png

A-05  
07



A0507

Exhaust manifold



Inglese

- |   |           |             |   |          |
|---|-----------|-------------|---|----------|
| 1 | 3680219M1 |             | 1 | Manifold |
| 2 | 3678292M1 | (X) 1.3.6.1 | 1 | Gasket   |
| 3 | 3679694M1 | M8x80       | 2 | Stud     |
| 4 | 3679695M1 | M8x80       | 6 | Bolt     |
| 5 | 3653262M1 | M8x22       | 4 | Bolt     |
| 6 | 3666905M1 |             | 2 | Nut      |
| 7 | 4216625M1 |             | 1 | Gasket   |
- (X) Qty per tractors sold (aa.bbb.ccc.ddd) (aa) for 1,(bbb) 2-10 (ccc) 11-25 (ddd) 26-50

Engine

4600 (2012- ) - RS02 - 4655 ISM-VRM-ARM

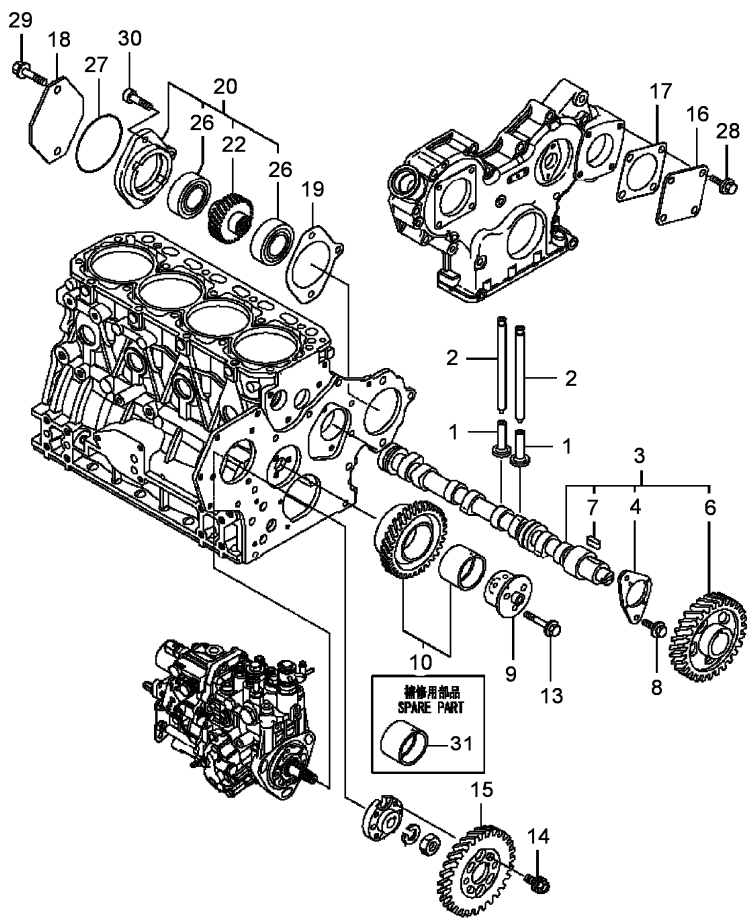
A-05  
08



A0508

Timing gear and camshaft

RS02\00042565.png



		Inglese
1	3653447M1	8 Tappet
2	3653448M1	8 Rod
3	3653896M1	1 Shaft
4	3653430M1	! 3 1 Plate
6	3653446M1	! 3 1 Gear
7	3653820M1	! 3 1 Key
8	3653857M1	2 Bolt
9	4218161M1	1 Shaft
10	4216017M91	1 Gear
13	3653862M1	3 Bolt
14	3664454M1	4 Screw
15	3677978M1	1 Gear
16	3653320M1	1 Coperch.
17	3653321M1	1 Gasket
18	6510374M1	1 Coperch.
19	3653800M1	1 Gasket
20	3653363M1	1 Kit
22	3653364M1	! 20 1 Gear
26	3653830M1	! 20 2 Bearing
27	3653839M1	1 Ring
28	3653858M1	4 Bolt
29	3653869M1	2 Bolt
30	3653879M1	1 Bolt
31	4216018M1	1 Bush
!		This is a component of an assembly

Engine

A-05  
08

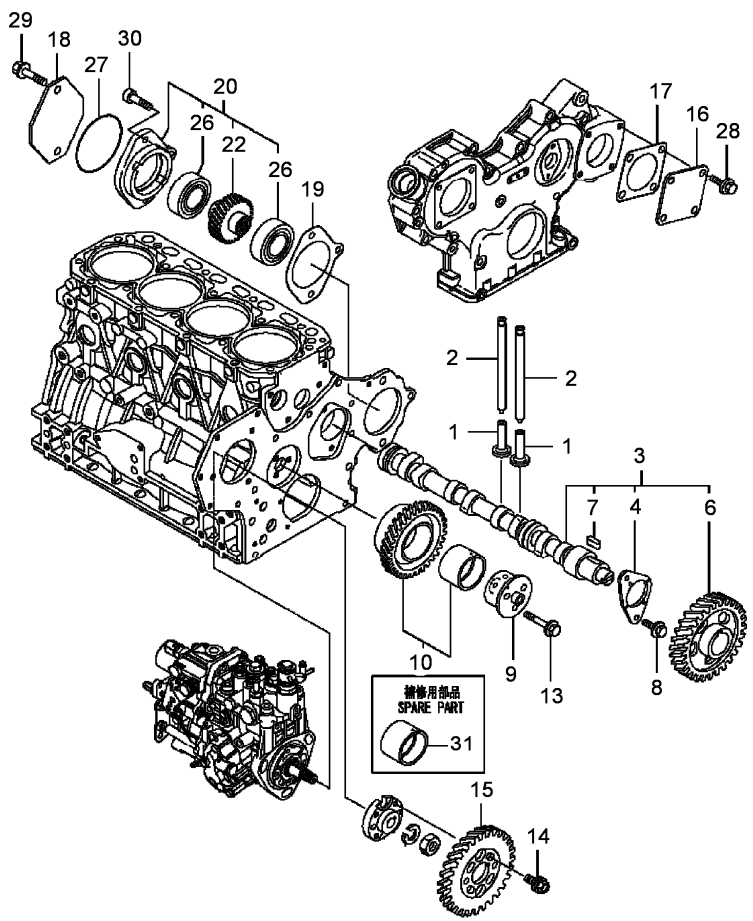
Timing gear and camshaft

4600 (2012- ) - RS02 - 4655 ISM-VRM-ARM



A0508

RS02\00042565.png



Engine

4600 (2012- ) - RS02 - 4655 ISM-VRM-ARM

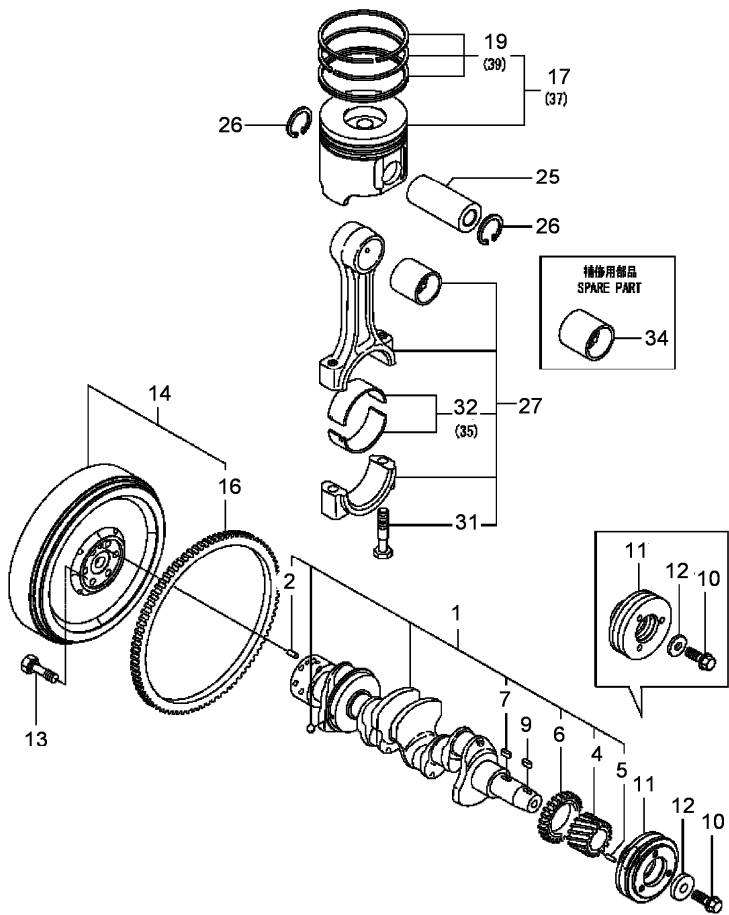
RS02\00042566.png

A-05  
09



A0509

Crankshaft, pistons and connecting rods



1	6514915M91		
2	3653378M1	!	1
4	4218160M1	!	1
5	3653308M1	!	1
6	3664468M1	!	1
7	3653820M1	!	1
9	3653820M1	!	1
10	3653309M1	➔	Ej0836
10	4216750M1	➔	Ej0837
11	3685385M1	➔	Ej0836
11	6510420M1	➔	Ej0837
12	3653794M1		
13	3653301M1		
14	6514916M91		
16	3653297M1	!	14
17	3681365M1		
19	3681366M1	!	17
25	3653731M1		
26	3653815M1		
27	3653897M1		
31	3653307M1	!	27
32	4216304M1	!	27
34	3653383M1		
35	4216035M1	⚡	+0.25

Inglese

1	Shaft
1	Dowel
1	Gear
1	Dowel
1	Gear
1	Key
1	Key
1	Bolt
1	Screw
1	Pulley
1	Pulley
1	Washer
6	Bolt
1	Flywheel
1	Crownwheel
4	Piston
1	Kit
4	Cotter
8	Clip
4	Conrod
2	Bolt
1	Pin
4	Bearing
4	Thimble

Engine

4600 (2012- ) - RS02 - 4655 ISM-VRM-ARM

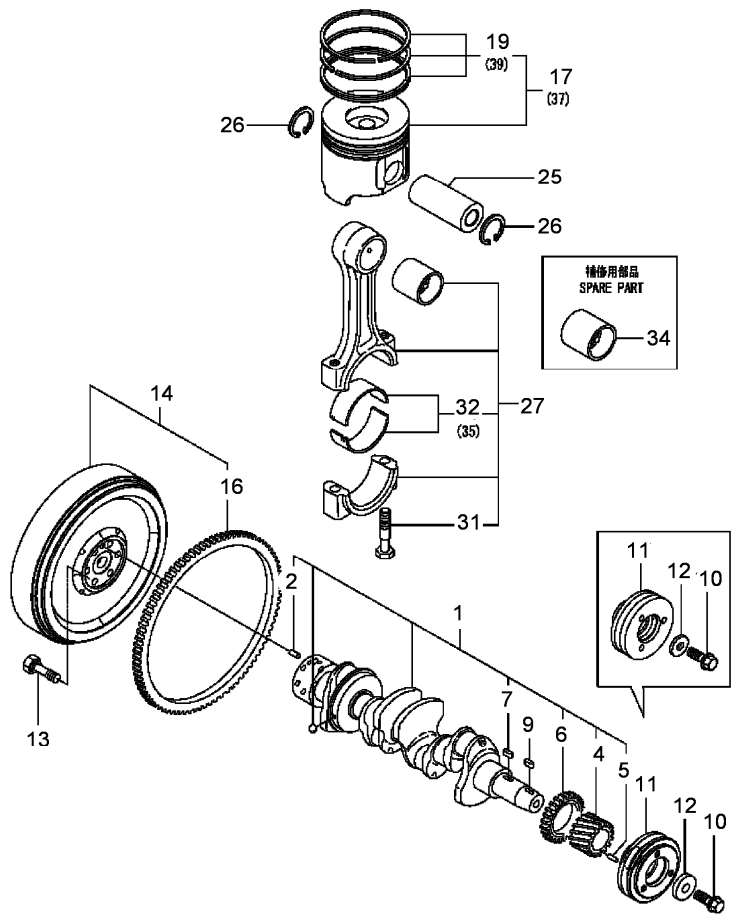
RS02\00042566.png

A-05  
09



A0509

Crankshaft, pistons and connecting rods



37 3681367M1 ⚡ +0.25

39 3681368M1 ! 37

⚡ +0.25

! This is a component of an assembly

➡ From serial or engine number

➡ Up to serial or engine number

⚡ Shim

Inglese

4 Piston

1 Kit

Engine

4600 (2012- ) - RS02 - 4655 ISM-VRM-ARM

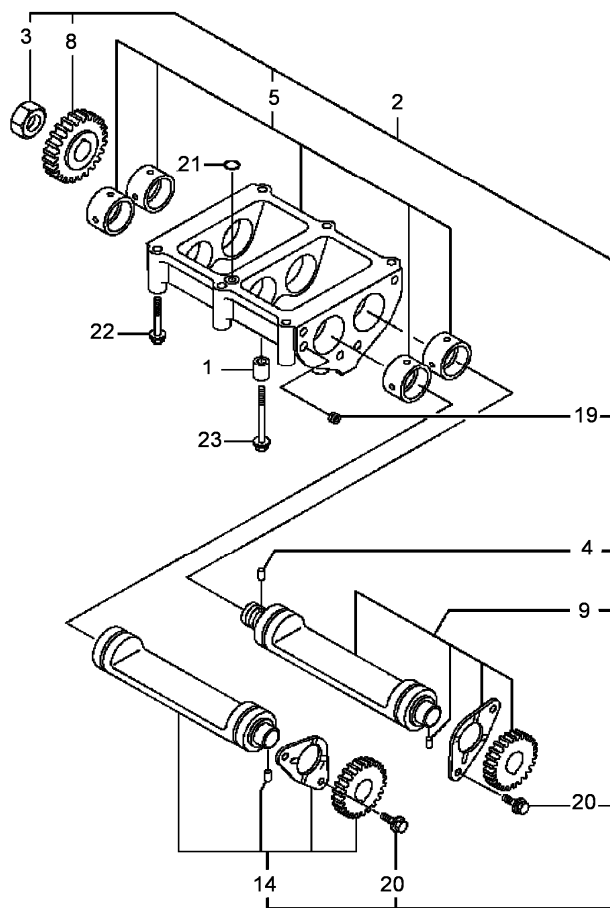
A-05  
095



A05095

Balancer unit

RS02\00042567.png



- 1 3653790M1
- 2 3653764M1
- 3 3653334M1 ! 2
- 4 3653308M1 ! 2
- 5 3664476M1 ! 2
- 8 3653739M1 ! 2
- 9 3653905M1 ! 2
- 14 3653906M1 ! 2
- 19 3653827M1 ! 2
- 20 3653857M1 ! 2
- 21 3653832M1
- 22 3653866M1
- 23 3653868M1

Inglese

- 2 Bush
- 1 Weight
- 1 Nut
- 1 Dowel
- 1 Housing
- 1 Gear
- 1 Kit
- 1 Kit
- 1 Plug
- 4 Bolt
- 1 Ring
- 4 Bolt
- 2 Bolt

! This is a component of an assembly

Engine

4600 (2012- ) - RS02 - 4655 ISM-VRM-ARM

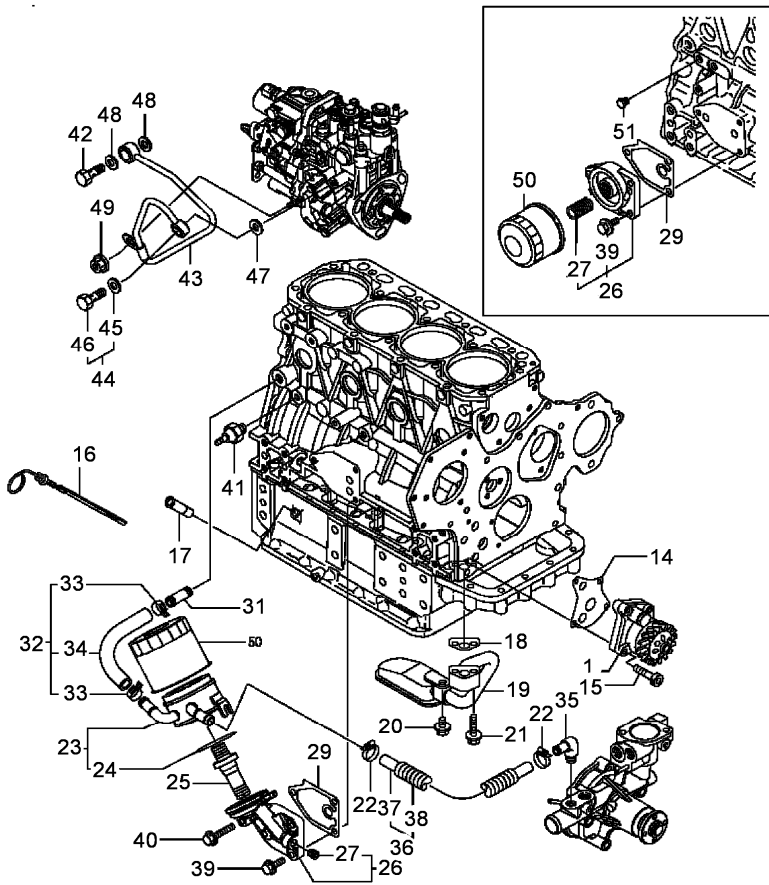
A-05  
10



A0510

Lubricating oil pump and delivery housing-oil filter

RS02\00042568.png



		Inglese
1	3653744M1	1 Pump
14	3653455M1	1 Gasket
15	3653878M1	4 Bolt
16	3653766M1	1 Rod
17	3653306M1	1 Guide
18	3653456M2	1 Gasket
19	3685583M1	1 Pipe
20	3653856M1	1 Bolt
21	3653861M1	2 Bolt
22	4217737M1	2 Retainer
23	6510381M91	1 Coperch.
24	4218215M1	! 23 1 Ring
25	6510382M1	1 Sleeve
26	3680224M1	➔ Ej0836 1 Stirrup
26	6510383M91	➔ Ej0837 1 Stirrup
27	3653316M1	! 26 1 Plug
		➔ Ej0837
27	3680225M1	! 26 1 Stud
		➔ Ej0836
29	3653458M1	1 Gasket
31	4218170M1	1 Connection
32	6510384M91	1 Pipe
33	3678299M1	! 32 2 Clamp
34	6510385M1	! 32 1 Pipe
35	3678033M1	1 Elbow

Engine

4600 (2012- ) - RS02 - 4655 ISM-VRM-ARM

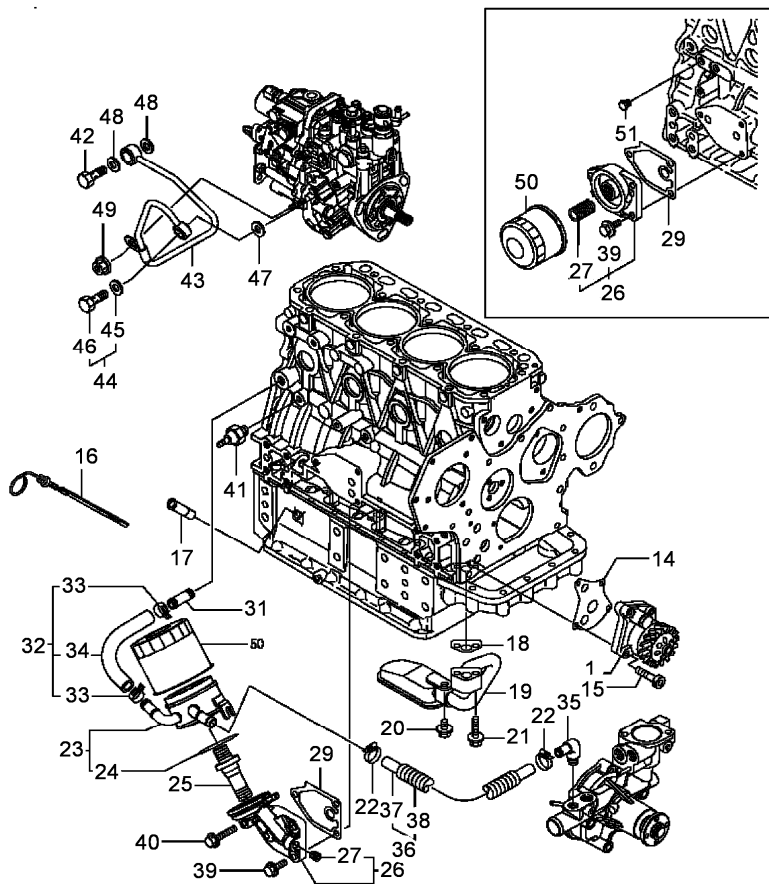
A-05  
10



A0510

Lubricating oil pump and delivery housing-oil filter

RS02\00042568.png



- |    |           |   |        |
|----|-----------|---|--------|
| 36 | 3679841M1 |   |        |
| 37 | 6514918M1 | ! | 36     |
| 38 | 3679842M1 | ! | 36     |
| 39 | 3653859M1 | ➔ | Ej0836 |
| 39 | 3653860M1 | ➔ | Ej0837 |
| 40 | 3653863M1 |   |        |
| 41 | 3664370M1 |   |        |
| 42 | 3653318M1 |   |        |
| 43 | 3680223M1 |   |        |
| 44 | 3678024M1 |   |        |
| 45 | 3653808M1 | ! | 44     |
| 46 | 3665013M1 | ! | 44     |
| 47 | 3653808M1 |   |        |
| 48 | 3653809M1 |   |        |
| 49 | 3653876M1 |   |        |
| 50 | 3678034M2 |   |        |
| 51 | 3653797M1 | ➔ | Ej0836 |

Inglese


- |   |        |
|---|--------|
| 1 | Pipe   |
| 1 | Pipe   |
| 1 | Guard  |
| 3 | Bolt   |
| 2 | Bolt   |
| 1 | Bolt   |
| 1 | Cutout |
| 1 | Bolt   |
| 1 | Pipe   |
| 1 | Bolt   |
| 1 | Washer |
| 1 | Bolt   |
| 1 | Washer |
| 2 | Washer |
| 1 | Nut    |
| 1 | Filter |
| 1 | Plug   |

- ! This is a component of an assembly
- ➔ From serial or engine number
- ➔ Up to serial or engine number

Engine

4600 (2012- ) - RS02 - 4655 ISM-VRM-ARM

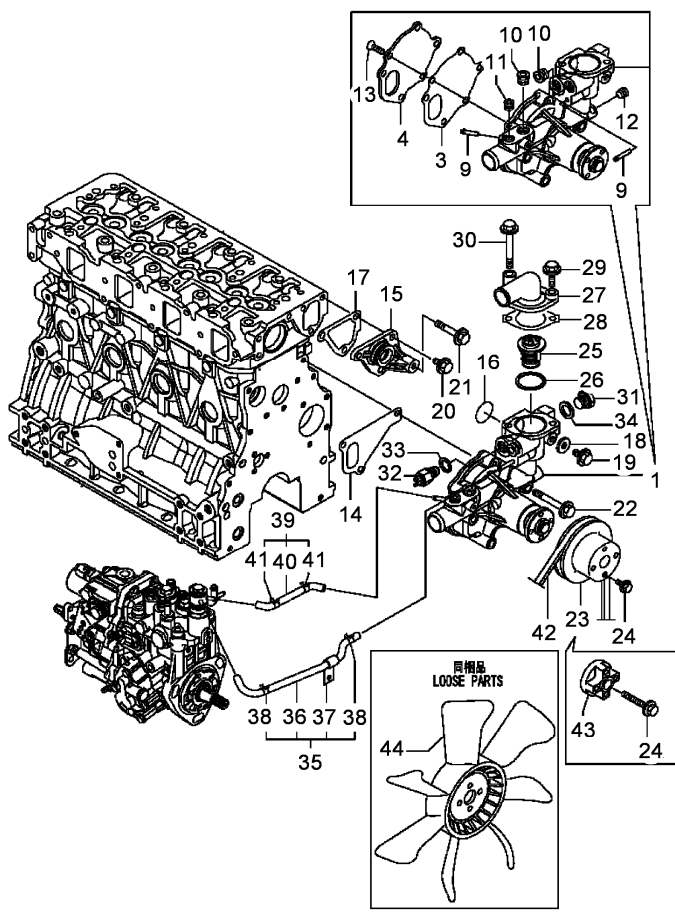
**A-05**  
**11**



A0511

Water pump, thermostat and heat exchanger

RS02\00042569.png



		Inglese
1	3680226M1	1 Pump
3	3678031M1	! 1 Gasket
4	3678032M1	! 1 Gasket
9	3677983M1	! 1 Union
10	3678297M1	! 1 Plug
11	3681394M1	! 1 Plug
12	3665017M1	! 1 Plug
13	4216871M1	! 1 Screw
14	3664547M1	1 Gasket
15	3678017M1	1 Gasket
16	3664548M1	1 Ring
17	3664432M1	1 Gasket
18	3653822M1	1 Gasket
19	3653856M1	1 Bolt
20	3653858M1	3 Bolt
21	3653863M1	1 Bolt
22	3653866M1	3 Bolt
23	6504081M1	● 3674556M1(1) 1 Pulley
24	3679848M1	4 Bolt
24	3680228M1	➔ Ej0837 4 Bolt
25	3693923M1	1 Thermostat
26	3653463M1	1 Gasket
27	3678009M1	1 Coperch.
28	3653795M1	1 Gasket

Engine

4600 (2012- ) - RS02 - 4655 ISM-VRM-ARM

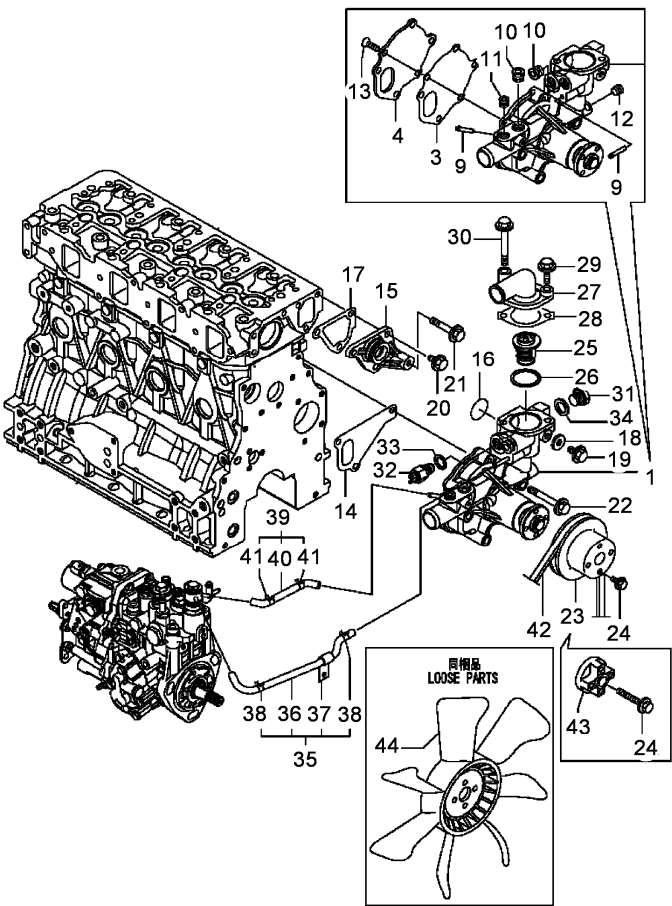
A-05  
11



A0511

Water pump, thermostat and heat exchanger

RS02\00042569.png



- 29 3653860M1
  - 30 3653867M1
  - 31 4216881M1
  - 32 3653302M1
  - 33 3653324M1
  - 34 3653324M1
  - 35 3678018M1
  - 36 3678020M1 ! 35
  - 37 3677984M1 ! 35
  - 38 3678010M1 ! 35
  - 39 3678019M1
  - 40 3678021M1 ! 39
  - 41 3678010M1 ! 39
  - 42 6514919M1
  - 43 3653801M1 ➔ Ej0837
  - 44 3674559M1
- ! This is a component of an assembly  
 ➔ From serial or engine number  
 ● Replacement

Inglese

- 1 Bolt
- 1 Bolt
- 1 Plug
- 1 Switch, indirect
- 1 Gasket
- 1 Gasket
- 1 Pipe
- 1 Pipe
- 1 Clamp
- 2 Clamp
- 1 Pipe
- 1 Pipe
- 2 Clamp
- 1 Screw
- 1 Spacer
- 1 Fan

Engine

4600 (2012- ) - RS02 - 4655 ISM-VRM-ARM

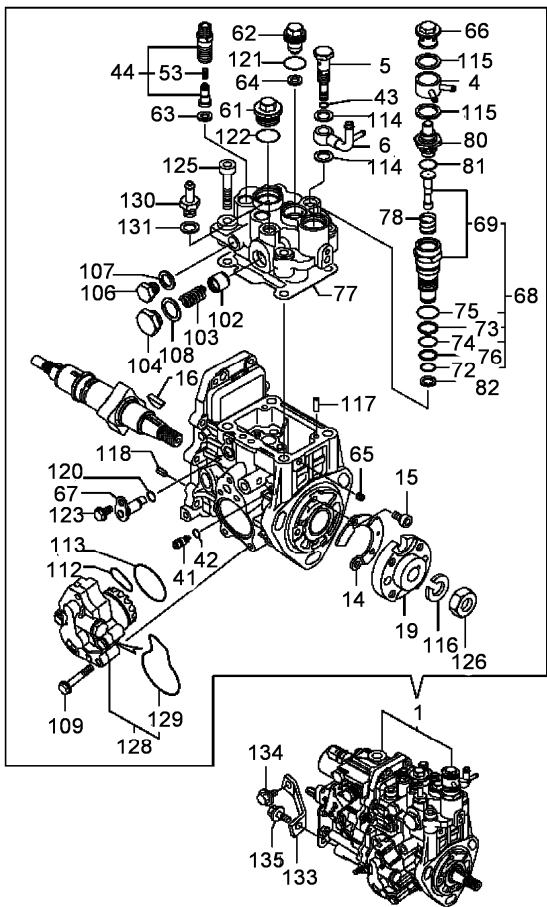
RS02\00042570.png

A-05  
12



A0512

Fuel injection equipment



			Inglese
1	6514920M91		1 Pump
4	4215982M1	!	1 Union
5	4208761M1	!	1 Gasket
6	4215966M1	!	1 Union
14	6510388M1	!	1 Coperch.
15	6510389M1	!	2 Screw
16	4216085M1	!	1 Key
19	3678298M1	!	1 Flange
41	4215971M1	!	1 Valve
42	4215977M1	!	1 Ring
43	4215977M1	!	1 Ring
44	4218163M91	!	4 Shim
53	4215979M1	!	44 Spring
61	4215989M1	!	1 Plug
62	4215990M1	!	1 Plug
63	4218274M1	!	3 Plug
64	4218274M1	!	1 Plug
65	4215993M1	!	1 Plug
66	4215995M1	!	1 Plug
67	4215997M1	!	1 Kit
68	4215998M91	!	1 Relay
69	4216011M91	!	68 Relay
	● 4215998M91(1)		
72	4216012M1	!	68 Ring

Engine

4600 (2012- ) - RS02 - 4655 ISM-VRM-ARM

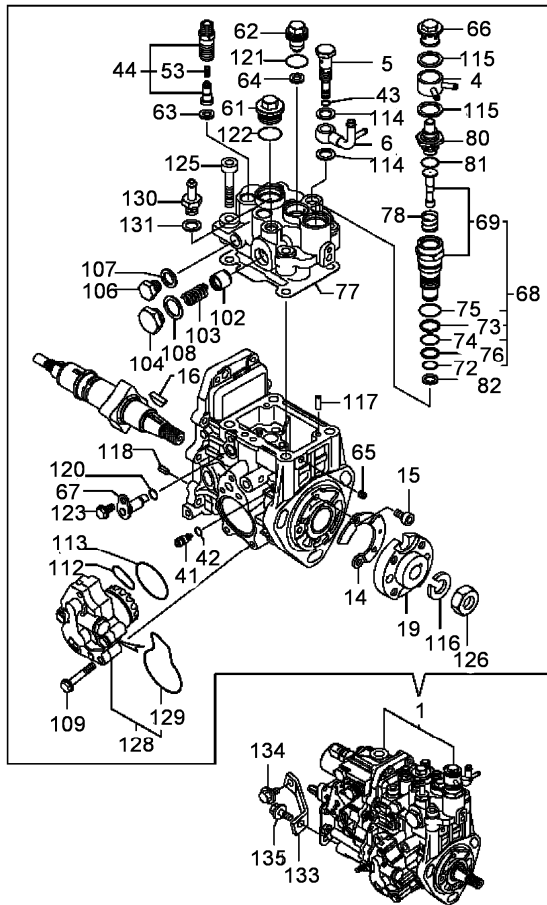
RS02\00042570.png

A-05  
12



A0512

Fuel injection equipment



				Inglese
73	4216016M1	!	68	1 Ring
74	4216019M1	!	68	1 Ring
75	6510390M1	!	68	1 Ring
76	4216025M1	!	68	1 Ring
77	4216026M1	!	1	1 Piston head
78	4216032M1	!	1	1 Spring
80	4208760M1	!	1	1 Valve
81	4208762M1	!	1	1 Gasket
82	4208763M1	!	1	1 Gasket
102	4216093M1	!	1	1 Piston
103	4216094M1	!	1	1 Spring
104	4216095M1	!	1	1 Plug
106	6510395M1	!	1	1 Plug
107	3653810M1	!	1	1 Washer
108	4208895M1	!	1	1 Gasket
109	4216089M1	!	1	4 Bolt
112	6510396M1	!	1	1 Ring
113	4216278M1	!	1	1 Ring
114	3653810M1	!	1	2 Washer
115	4208895M1	!	1	2 Gasket
116	3678300M1	!	1	1 Spring
117	4216922M1	!	1	2 Pin
118	3653817M1	!	1	2 Dowel
120	3665019M1	!	1	1 Ring

Engine

4600 (2012- ) - RS02 - 4655 ISM-VRM-ARM

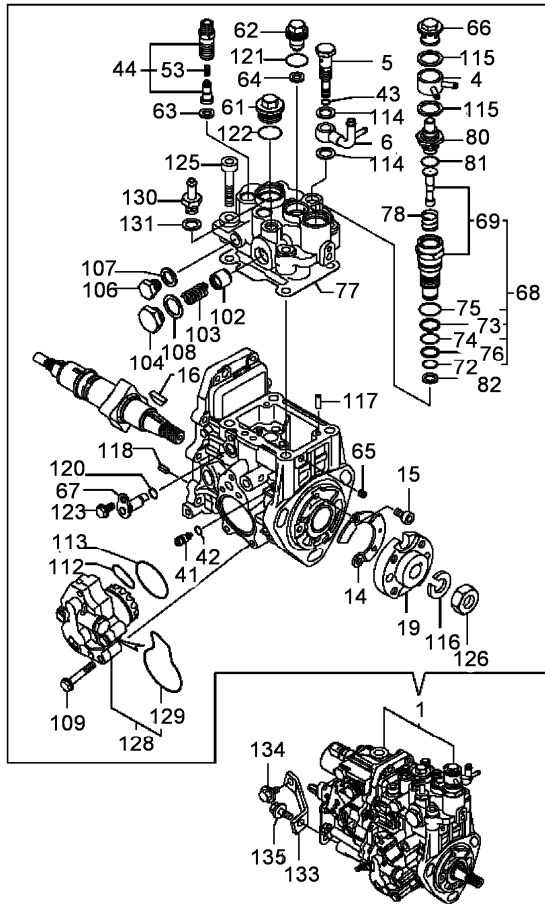
RS02\00042570.png

A-05  
12



A0512

Fuel injection equipment



				Inglese
121	6510393M1	!	1	1 Ring
122	6510394M1	!	1	1 Ring
		●	6510390M1(1)	
123	3653851M1	!	1	1 Bolt
125	4216092M1	!	1	4 Bolt
126	3678315M1	!	1	1 Nut
128	4216078M91	!	1	1 Pump
129	4216079M1	!	128	1 Ring
130	4216098M1	!	1	1 Union
131	3653810M1	!	1	1 Washer
133	3680229M1			1 Support
134	3653858M1			1 Bolt
135	3653859M1			1 Bolt

! This is a component of an assembly

● Replacement



**Suggest:**

**For more complete manuals. Please go to the home page.**

**<https://www.ebooklibonline.com>**

**If the above button click is invalid. Please download this document first, and then click the above link to download the complete manual.**

**Thank you so much for reading**



Engine

4600 (2012- ) - RS02 - 4655 ISM-VRM-ARM

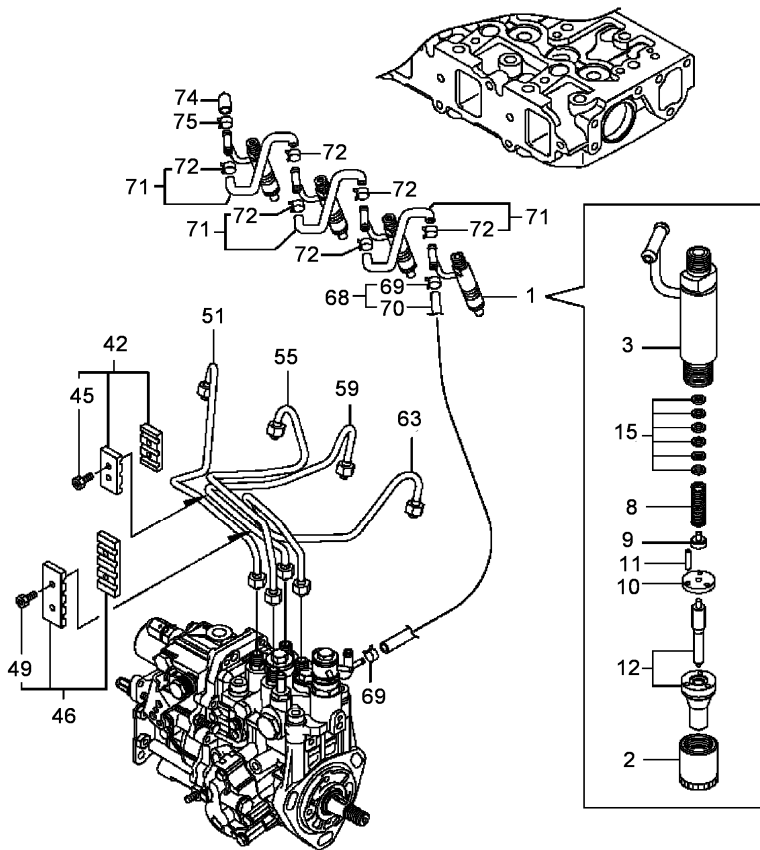
A-05  
14



A0514

Fuel injection equipment

RS02\00042572.png



1	6515858M91		
2	3653255M1	!	1
3	3680233M1	!	1
8	3653256M1	!	1
9	3653257M1	!	1
10	3653258M1	!	1
11	3653259M1	!	1
12	6515258M91	!	1
15	4216290M91	!	1
42	3653464M1		
45	3653465M1	!	42
46	3664552M1		
49	3653465M1	!	46
51	3680234M1		
55	3680235M1		
59	3680236M1		
63	3680237M1		
68	3680238M1		
69	3678010M1	!	68
70	3680239M1	!	68
71	3679973M1		
72	3678010M1	!	71
74	4216109M1	●	3680242M1(1)
75	3683191M1		

Inglese

4	Nozzle
1	Nut
1	Body
1	Spring
1	Nameplate
1	Retainer
2	Pin
1	Nozzle
1	Kit
1	Clip
2	Bolt
1	Bolt
2	Bolt
1	Pipe
1	Pipe
1	Pipe
1	Pipe
1	Pipe
2	Clamp
1	Pipe
3	Pipe
2	Clamp
1	Plug
1	Clamp

! This is a component of an assembly

**<https://www.ebooklibonline.com>**

Hello dear friend!

Thank you very much for reading.

Enter the link into your browser.

The full manual is available for immediate download.

**<https://www.ebooklibonline.com>**