

Engine

6400 - 6600 isr-ism-vrm (2011-) - RS43 - 6450 ism-vrm

RS43\00040948.png

A-05
01



A0501

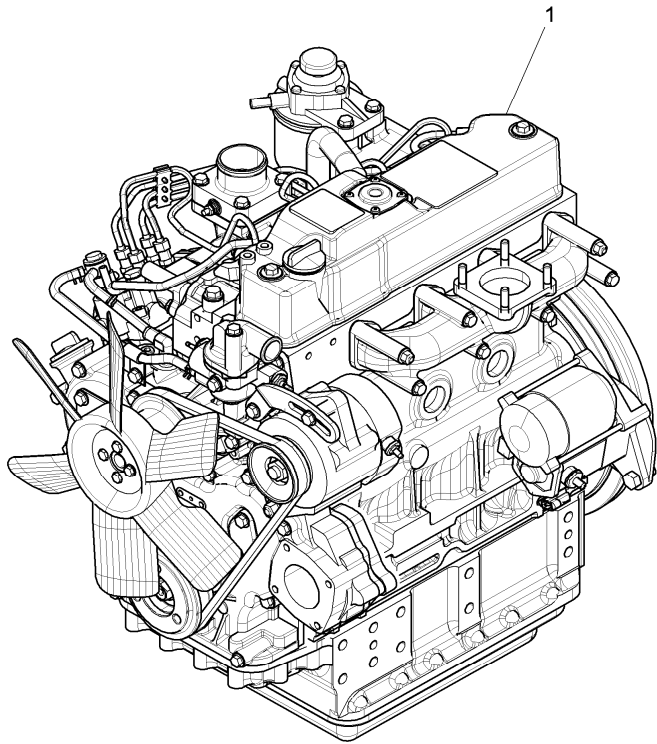
Engine assembly

Inglese

1 4221983M91

Yanmar 4tnv88

1 Engine



Engine

6400 - 6600 isr-ism-vm (2011-) - RS43 - 6450 ism-vm

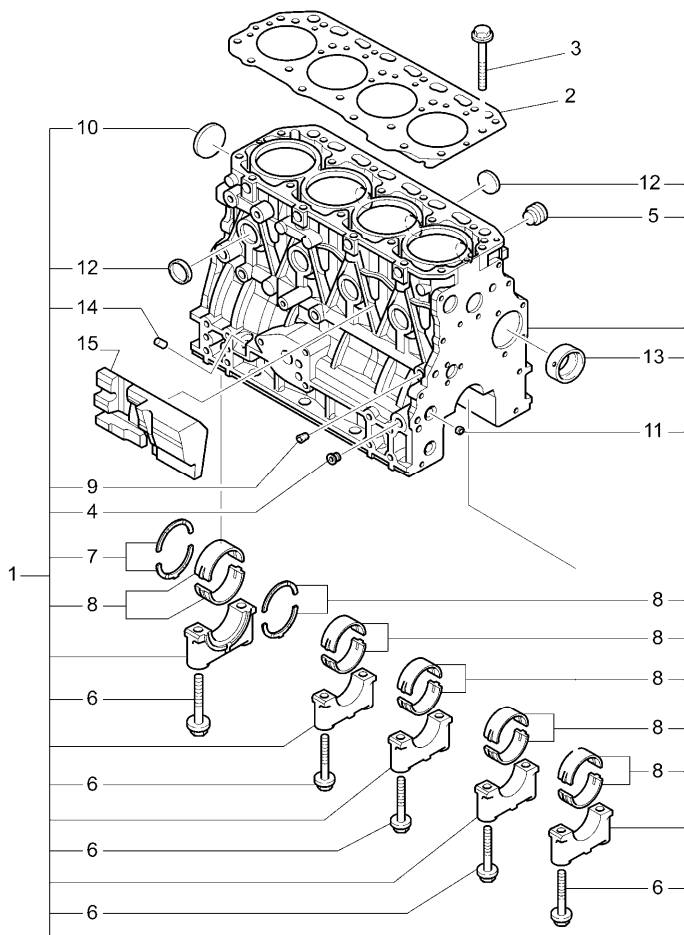
RS43\00012555.png

A-05
02



A0502

Cylinder block



				Inglese
1	3681363M1	T-A 33:50		1 Kit
2	3653740M1	(X) 1.3.6.1 T-A 5:50		1 Gasket
3	3653428M1			18 Stud
4	3653316M1	T-A 0:25		2 Plug
5	3653796M1	! 1 T-A 0:25		1 Plug
6	3653429M1	! 1		10 Bolt
7	3653432M1	! 1		2 Ring
		● 4215968M1(2) T-A 16:50		
7	3653433M1	! 1		2 Ring
		● 4215970M1(2) A T-A 16:50		
8	3653336M1	! 1		5 Kit
		● 4215967M1(5)		
8	3653431M1	! 1		5 Ring
		● 3653431M2(5) B T-A 16:50		
9	3678007M1	! 1 T-A 0:25		1 Plug
10	3664445M1	! 1		1 Plug
11	3653888M1	! 1		2 Plug

Engine

6400 - 6600 isr-ism-vm (2011-) - RS43 - 6450 ism-vm

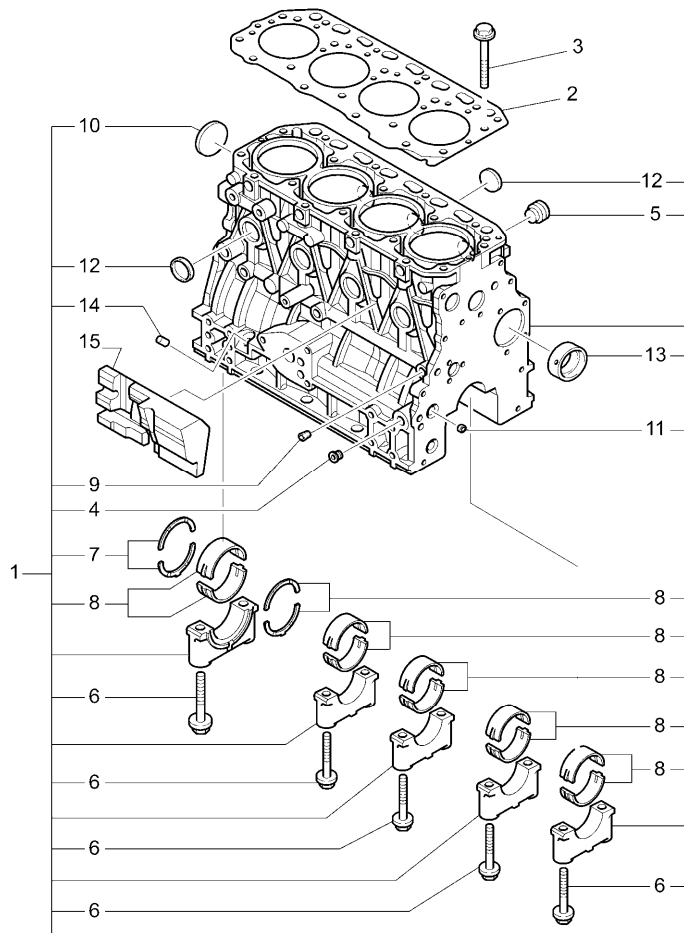
RS43\00012555.png

A-05
02



A0502

Cylinder block



		Inglese			
12	3653889M1	!	1	8	Plug
		●	3653889M2(8)		
		T-A	0:75		
13	3653791M1	!	1	1	Bearing
		T-A	31:0		
14	3677943M1	!	1	1	Plug
15	3678014M1	!	1	1	Spacer
	!	This is a component of an assembly			
	●	Replacement			
	(X)	Qty per tractors sold (aa.bbb.ccc.ddd) (aa) for 1,(bbb) 2-10 (ccc) 11-25 (ddd) 26-50			
	T-A	Replacement			
	A	Over-size (0,25mm) part.			
	B	Under-size (0,25mm) part.			

<https://www.ebooklibonline.com>

Hello dear friend!

Thank you very much for reading.

Enter the link into your browser.

The full manual is available for immediate download.

<https://www.ebooklibonline.com>

Engine

6400 - 6600 isr-ism-vm (2011-) - RS43 - 6450 ism-vm

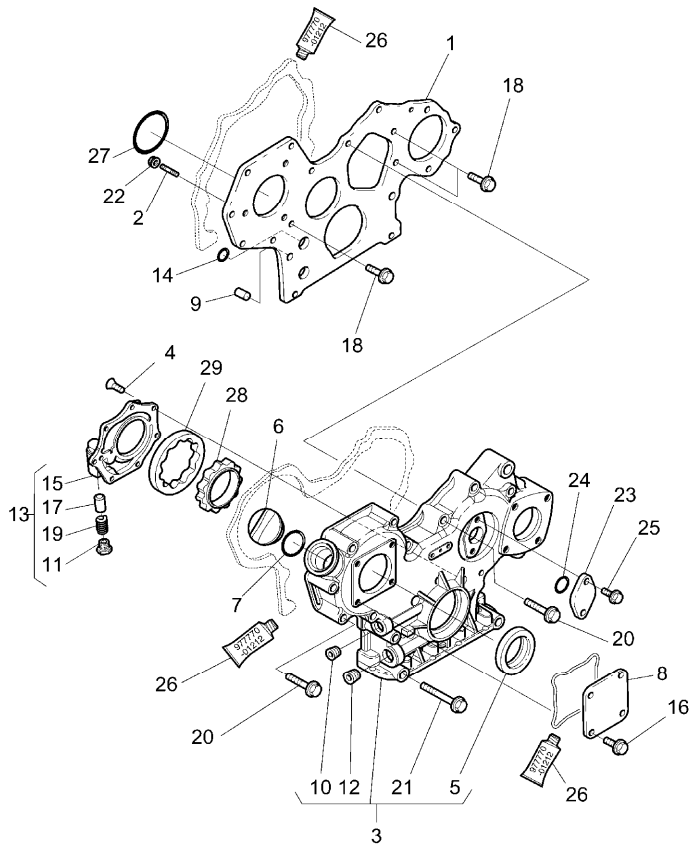
RS43\000012930.png

A-05
03



A0503

Distribution cover



		Inglese
1	3678023M1	1 Flange
2	3677969M1	M8x25
3	3680176M1	1 Stud
4	3677981M1	M6x16
5	3653788M1	! 3
		72x55x9
	(X)	1.3.6.1
6	3653315M1	1 Plug
7	3653835M1	! 6
8	3653320M1	1 O ring
9	3653789M1	1 Coperch.
10	3665018M1	2 Bush
11	3678013M1	! 3
12	3678309M1	! 13
13	3677980M1	! 1 Plug
14	3677944M1	1 Cover
15	3677979M1	! 4 Ring
16	3653858M1	! 1 Cover
17	3678295M1	M8x16
18	3678295M1	! 4 Bolt
19	3678043M1	! 13
20	3653858M1	! 1 Valve
21	3678043M1	M8x16
22	3678043M1	! 3 Bolt
23	3653865M1	! 13
24	3664450M1	! 1 Spring
25	3653865M1	M8x55
26	3664450M1	! 11 Bolt
27		! 3 Bolt
28		M8x85
29	3666905M1	! 3 Nut

Engine

6400 - 6600 isr-ism-vm (2011-) - RS43 - 6450 ism-vm

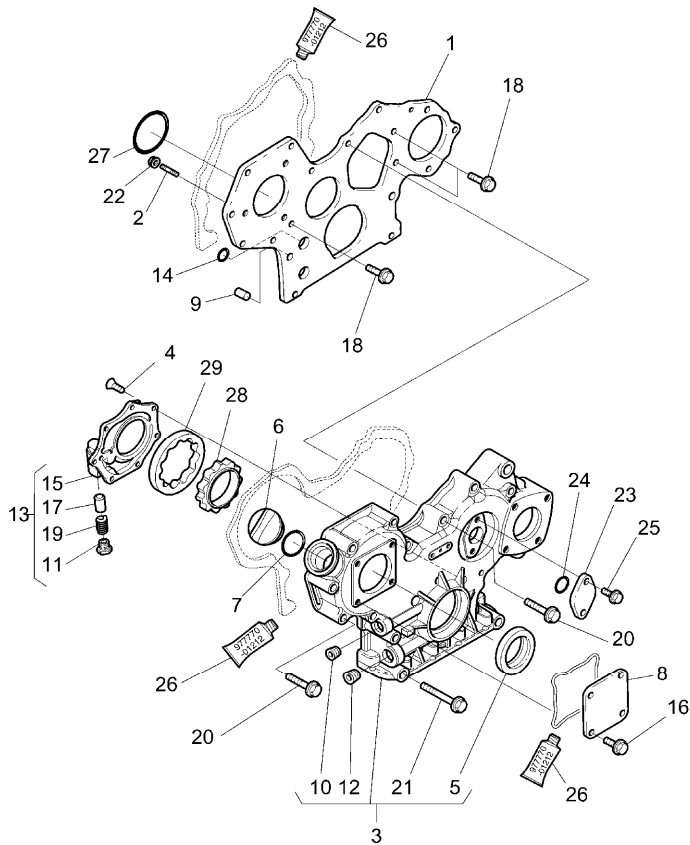
RS43\000012930.png



A-05
03



A0503

Distribution cover



		Inglese
23	3653299M1	1 Cover
24	3653841M1	1 O ring
25	3653853M1 M6x16	2 Bolt
26	3653908M1  3653908M2(1)	1 Gasket
	A	
27	3653310M1	1 O ring
28	3680177M1	1 Rotor
29	3680178M1	1 Rotor
!	This is a component of an assembly	
	Replacement	
(X)	Qty per tractors sold (aa.bbb.ccc.ddd) (aa) for 1,(bbb) 2-10 (ccc) 11-25 (ddd) 26-50	
A	For application, refer to workshop manual	

Engine

6400 - 6600 isr-ism-vm (2011-) - RS43 - 6450 ism-vm

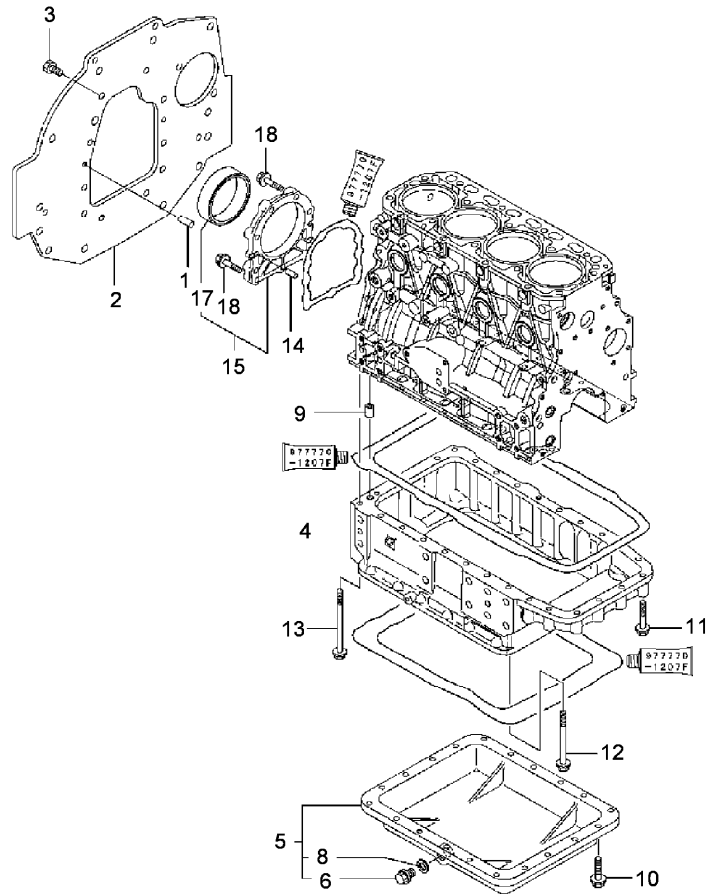
RS43\00040758.png

A-05
04



A0504

Lubricating oil pump and delivery housing



- | | | | |
|----|-----------|---|--------------|
| 1 | 3653378M1 | | |
| 2 | 4221984M1 | | |
| 3 | 3653872M1 | | |
| 4 | 3685498M1 | | |
| 5 | 3685499M1 | | |
| 6 | 3653253M1 | ! | 5 |
| 8 | 3653811M1 | ! | 5 |
| 9 | 3686501M1 | | |
| 10 | 3653860M1 | | |
| 11 | 3653864M1 | | |
| 12 | 3653351M1 | | |
| 13 | 3653352M1 | | |
| 14 | 3653378M1 | | |
| 15 | 3653379M1 | ● | 4206673M1(1) |
| 17 | 3653787M1 | ! | 15 |
| | | ● | 3653787M2(1) |
| 18 | 3653772M1 | | |
- ! This is a component of an assembly
● Replacement

Inglese

- | | |
|----|---------|
| 2 | Dowel |
| 1 | Flange |
| 10 | Bolt |
| 1 | Spacer |
| 1 | Pan |
| 1 | Plug |
| 1 | Bush |
| 1 | Pipe |
| 20 | Bolt |
| 8 | Bolt |
| 14 | Bolt |
| 4 | Bolt |
| 2 | Dowel |
| 1 | Housing |
| 1 | Seal |
| 9 | Bolt |

Engine

6400 - 6600 isr-ism-vm (2011-) - RS43 - 6450 ism-vm

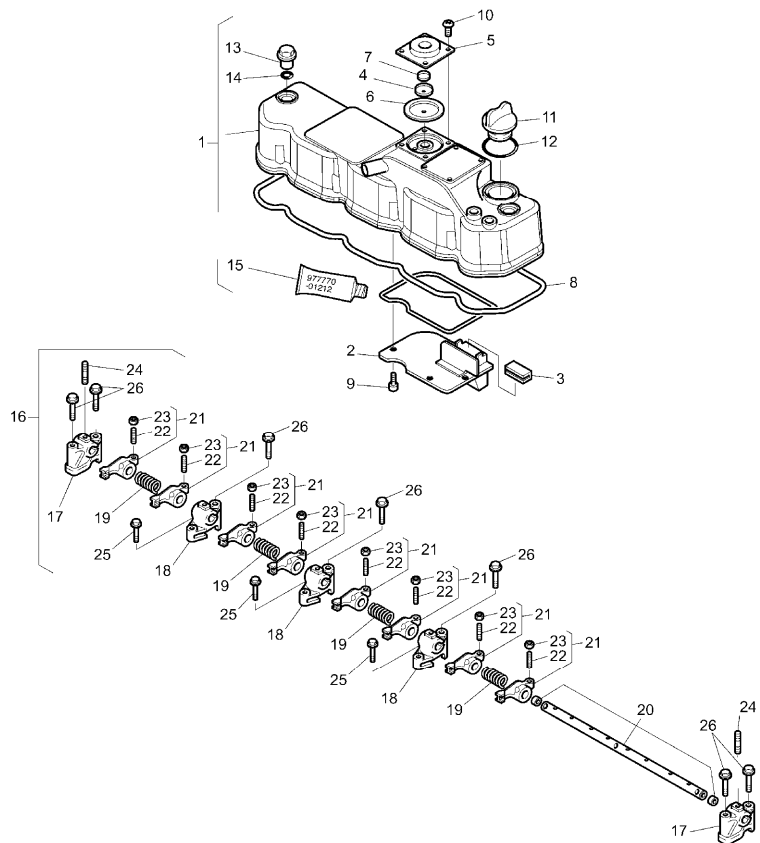
RS43\00012557.png

A-05
05



A0505

Cylinder head-rocker shaft



		Inglese	
1	3680190M1		1 Coperch.
2	3680191M1	! 1	1 Plate
3	3653435M1	! 1	1 Guard
4	3680210M1	! 1	1 Plate
5	3680211M1	! 1	1 Coperch.
6	3680212M1	! 1	1 Diaphragm
7	3680213M1	! 1	1 Spring
8	3680214M1	! 1	1 Gasket
9	3665010M1	(X) 1.3.6.1 ! 1	4 Screw
		M5x10	
10	3665010M1	! 1	4 Screw
		M5x10	
11	3653315M1	! 1	1 Plug
12	3653835M1	! 1	1 O ring
13	3653317M1	! 1	3 Plug
14	3653831M1	! 1	3 O ring
15	3653908M1	! 1	1 Gasket
	● 3653908M2(1)		
16	3680184M1		1 Shaft
17	3680185M1	! 16	2 Support
18	3680186M1	! 16	3 Support
19	3653440M1	! 16	4 Spring
20	3680187M1	! 16	1 Shaft
21	3680188M1	! 16	8 Cam

Engine

6400 - 6600 isr-ism-vrm (2011-) - RS43 - 6450 ism-vrm

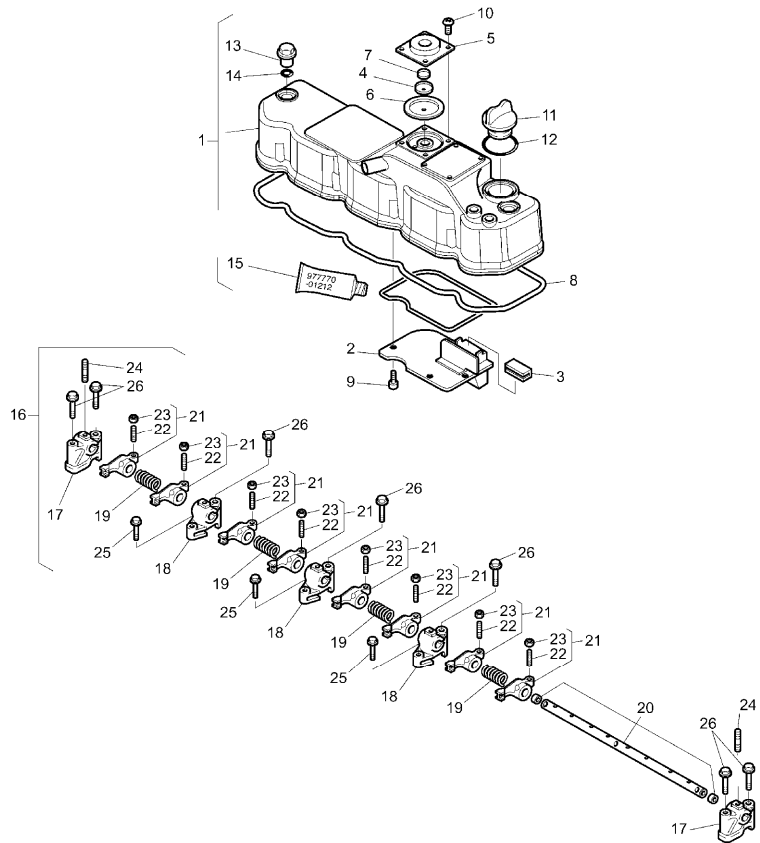
RS43\00012557.png

A-05
05



A0505

Cylinder head-rocker shaft



Inglese

22	3653439M1	!	21	8	Screw
23	3653444M1	!	21	8	Nut
24	3653875M1	!	16	3	Bolt
			M8x18		
25	3653860M1	!	16	3	Bolt
			M8x25		
26	3653864M1	!	16	7	Bolt
			M8x50		

! This is a component of an assembly

 Replacement

(X) Qty per tractors sold (aa.bbb.ccc.ddd) (aa) for 1,(bbb) 2-10 (ccc) 11-25 (ddd) 26-50

Engine

6400 - 6600 isr-ism-vm (2011-) - RS43 - 6450 ism-vm

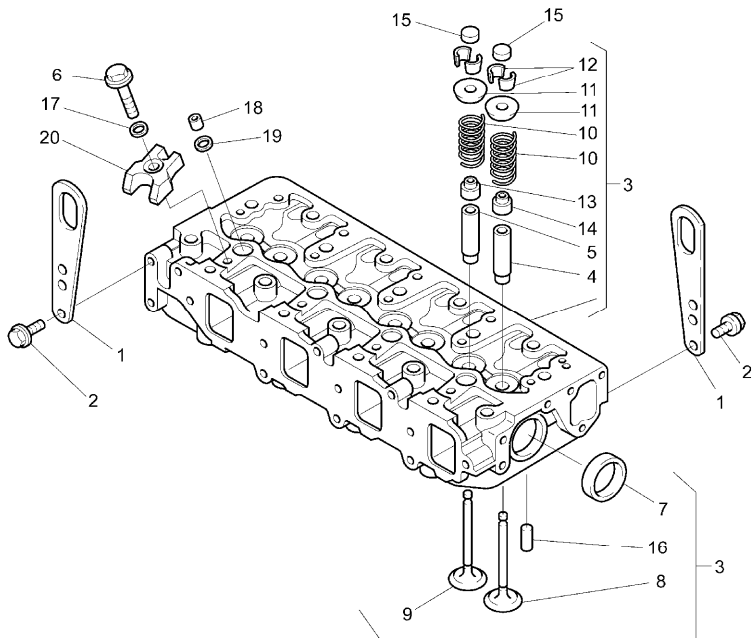
RS43\00012558.png

A-05
051



A05051

Cylinder head-rocker shaft



		Inglese
1	3664580M1	2 Stirrup
2	3653857M1	4 Bolt
3	3683143M1	1 Head
4	3653298M1	4 Guide
5	3653445M1	4 Guide
6	3653861M1	4 Bolt
		M8x35
7	3653890M1	2 Plug
	(X) 2.4.8.1	
8	3681364M1	3 Valve
	(X) 3.6.9.1	
9	3653381M1	3 Valve
	● 3653381M2(3)	
	(X)	
10	3653792M1	8 Spring
11	3653793M1	8 Nameplate
12	3680181M1	8 Clip
13	3653304M1	4 Thimble
14	3653323M1	4 Thimble
15	3653443M1	8 Shim
16	3653818M1	2 Pin
17	3680183M1	4 Washer
18	3677971M1	4 Guard
19	3653266M1	4 Washer
20	3680182M1	4 Clip

Engine

6400 - 6600 isr-ism-vrm (2011-) - RS43 - 6450 ism-vrm

A-05
051

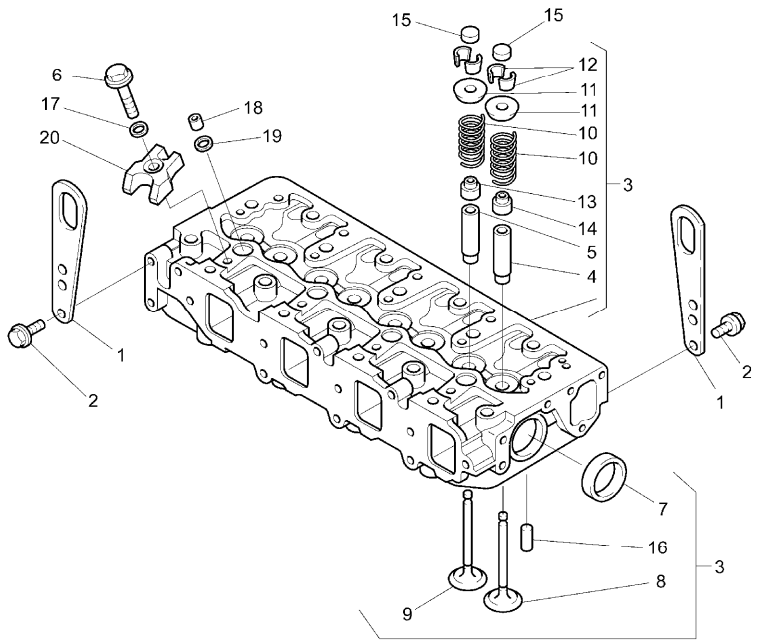


A05051

Cylinder head-rocker shaft

RS43\00012558.png

- ! This is a component of an assembly
- Replacement
- (X) Qty per tractors sold (aa.bbb.ccc.ddd) (aa) for 1,(bbb) 2-10 (ccc) 11-25 (ddd) 26-50



Engine

6400 - 6600 isr-ism-vrm (2011-) - RS43 - 6450 ism-vrm

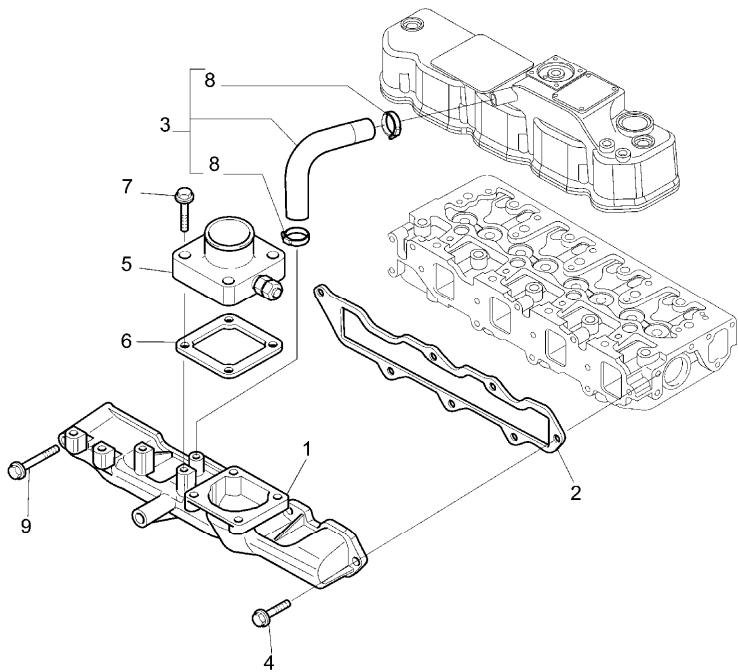
RS43\00012565.png

A-05
06



A0506

Induction manifold



				Inglese
1	3680217M1			1 Manifold
2	3680218M1	(X)	1.3.6.1	1 Gasket
3	3680215M1			1 Pipe
4	3653859M1		M8x20	6 Bolt
5	3653399M1	●	4216176M1(1)	1 Heater
6	3653467M1			1 Gasket
7	3653861M1			4 Bolt
8	3680216M1			2 Clamp
9	3653868M1		M8x80	1 Bolt
● Replacement				
(X) Qty per tractors sold (aa.bbb.ccc.ddd) (aa) for 1,(bbb) 2-10 (ccc) 11-25 (ddd) 26-50				

Engine

6400 - 6600 isr-ism-vrm (2011-) - RS43 - 6450 ism-vrm

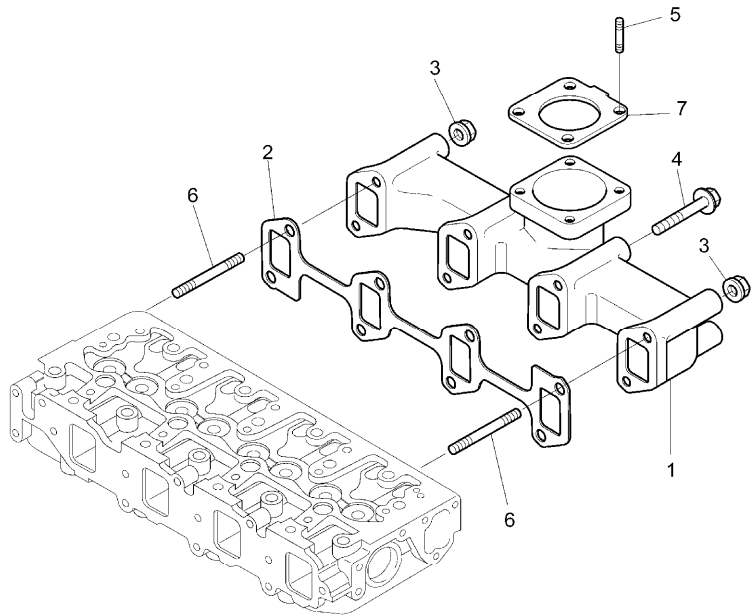
RS43\00012566.png

A-05
07



A0507

Exhaust manifold



Inglese

1	3680219M1			1	Manifold
2	3678292M1	(X)	1.3.6.1	1	Gasket
3	3666905M1			2	Nut
4	3679695M1		M8x80	6	Bolt
5	3653262M1		M8x22	4	Bolt
6	3679694M1		M8x80	2	Stud
7	3679696M1			1	Gasket

(X) Qty per tractors sold (aa.bbb.ccc.ddd) (aa) for 1,(bbb) 2-10 (ccc) 11-25 (ddd) 26-50

Engine

6400 - 6600 isr-ism-vm (2011-) - RS43 - 6450 ism-vm

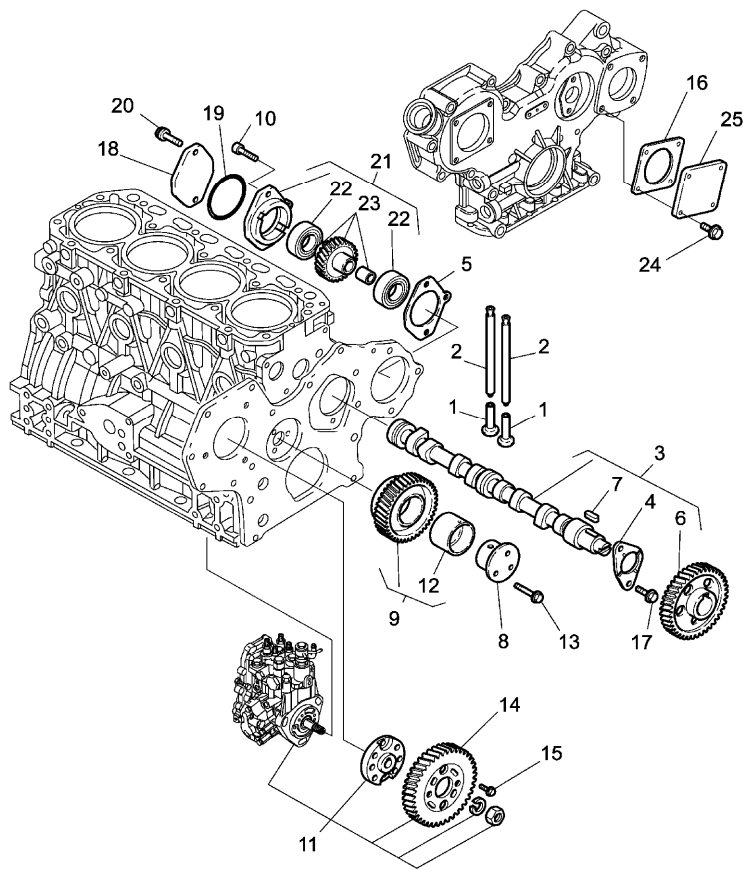
RS43\00040956.png

A-05
08



A0508

Timing gear and camshaft



1	3653447M1	
2	3653448M1	
3	3653896M1	
4	3653430M1	! 3
5	3653800M1	
6	3653446M1	! 3
7	3653820M1	! 3
8	3677975M1	
9	3677977M1	
10	3653879M1	M8x28
11		☞ A-05 12 27
12	3677976M1	! 9
13	3653862M1	M8x40
14	3677978M1	
15	3664454M1	
16	3653321M1	
17	3653857M1	M8x14
18	3653300M1	
19	3653839M1	
20	3653869M1	M10x45
21	3653363M1	
22	3653830M1	! 21
23	3653364M1	! 21
24	3653858M1	M8x16

Inglese

8	Tappet
8	Rod
1	Shaft
1	Plate
1	Gasket
1	Gear
1	Key
1	Shaft
1	Gear
1	Bolt
1	Pump
1	Bush
3	Bolt
1	Gear
4	Screw
1	Gasket
2	Bolt
1	Cover
1	O ring
2	Bolt
1	Kit
2	Bearing
1	Gear
4	Bolt

Engine

6400 - 6600 isr-ism-vrm (2011-) - RS43 - 6450 ism-vrm

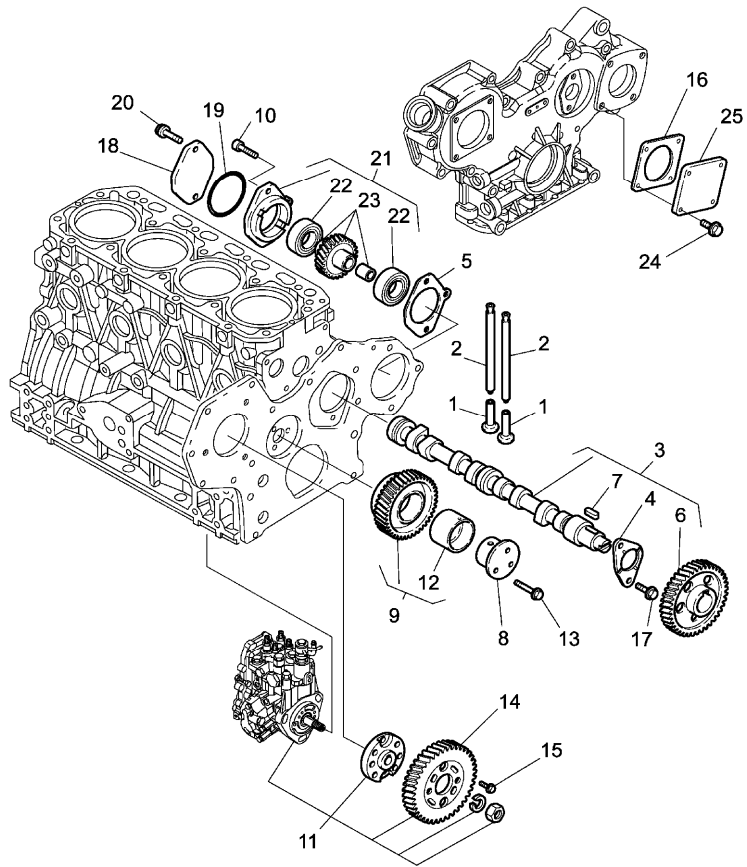
RS43\00040956.png

A-05
08



A0508

Timing gear and camshaft



Inglese

25 3653320M1

1 Cover

! This is a component of an assembly

👁 See page - reference number

Engine

6400 - 6600 isr-ism-vm (2011-) - RS43 - 6450 ism-vm

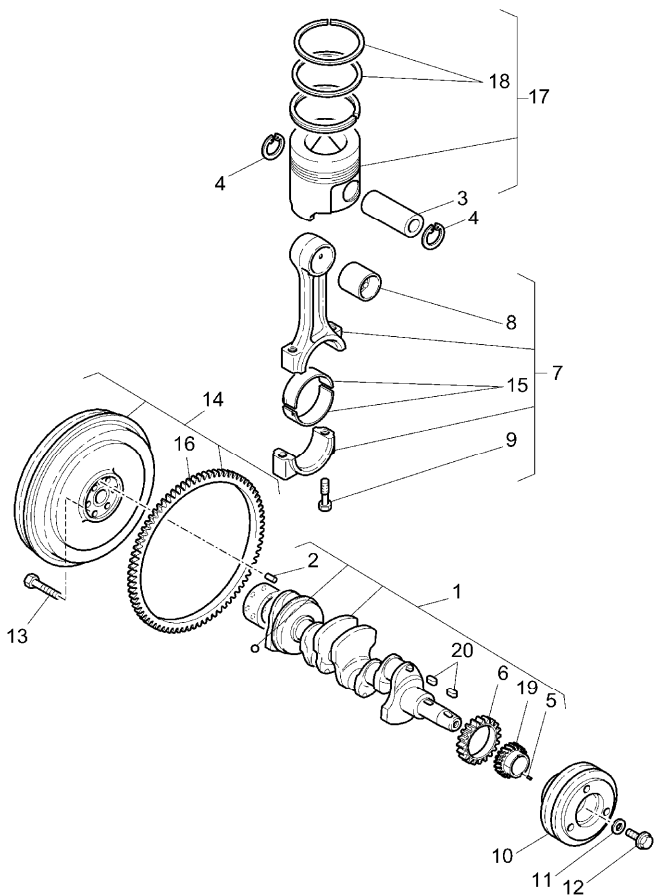
RS43\00012556.png

A-05
09



A0509

Crankshaft, pistons and connecting rods



1	3680220M1		
2	3653378M1	!	1
3	3653731M1		
4	3653815M1		
5	3653308M1	!	1
6	3664468M1	!	1
7	3653897M1		
8	3653383M1	!	7
9	3653307M1	!	7
10	3685385M1		
11	3653794M1		
12	3653309M1		
13	3653301M1		
14	3653762M1		
15	3653450M1	!	7
	● 4216034M1(4)		
15	3653451M1	!	7
	B		
16	3653297M1	!	14
17	3681365M1		
17	3681367M1	A	
18	3681366M1	!	17
	(X) 1.3.6.1		
18	3681368M1	!	17
	A		

Inglese

1	Shaft
1	Dowel
4	Cotter
8	Clip
1	Dowel
1	Gear
4	Conrod
4	Bearing
8	Bolt
1	Pulley
1	Washer
1	Bolt
6	Bolt
1	Flywheel
4	Bearing
4	Bearing
1	Crownwheel
4	Piston
4	Piston
4	Kit
4	Kit



Suggest:

For more complete manuals. Please go to the home page.

<https://www.ebooklibonline.com>

If the above button click is invalid. Please download this document first, and then click the above link to download the complete manual.

Thank you so much for reading

Engine

6400 - 6600 isr-ism-vm (2011-) - RS43 - 6450 ism-vm

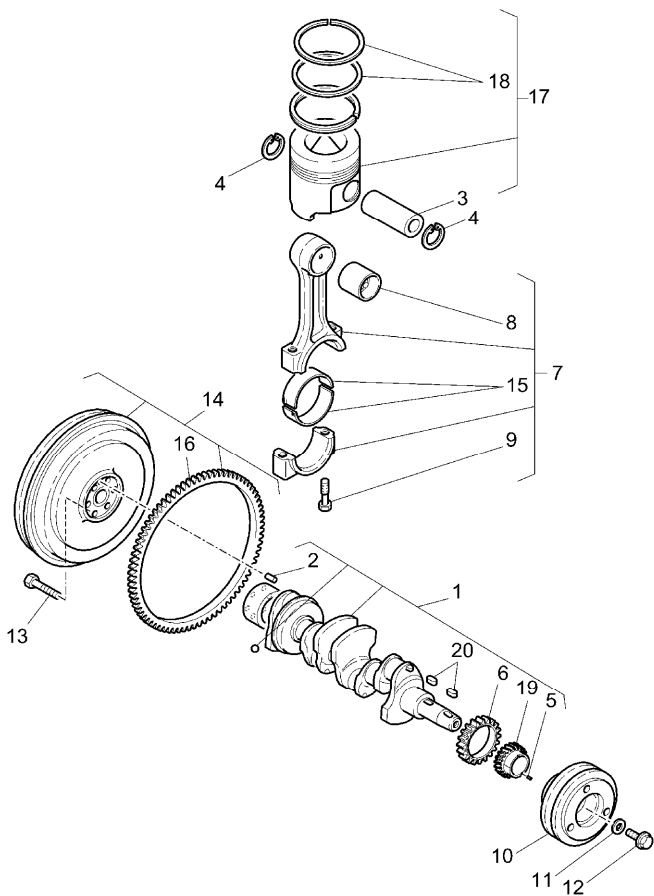
RS43\00012556.png

A-05
09



A0509

Crankshaft, pistons and connecting rods



Inglese

19 3677974M1 ! 1 1 Gear

● 4206674M1(1)

20 3653820M1 ! 1 2 Key

! This is a component of an assembly

● Replacement

(X) Qty per tractors sold (aa.bbb.ccc.ddd) (aa) for 1,(bbb) 2-10 (ccc) 11-25 (ddd) 26-50

A Over-size (0,25mm) part.

B Under-size (0,25mm) part.

Engine

6400 - 6600 isr-ism-vm (2011-) - RS43 - 6450 ism-vm

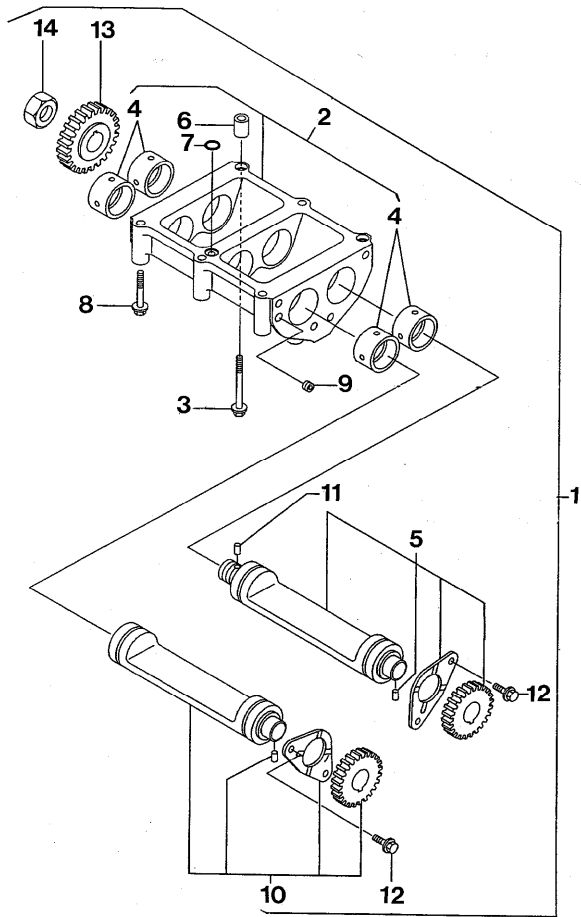
RS43\00001366.png

A-05
10



A0510

Balancer unit



		Inglese
1	3653764M1	1 Weight
2	3664476M1 ! 1	1 Housing
3	3653868M1 ! 2	2 Bolt
		M8x80
4	3653743M1 ! 2	4 Bush
5	3653905M1 ! 1	1 Kit
6	3653790M1 ! 2	2 Bush
7	3653832M1 ! 2	1 O ring
8	3653866M1 ! 2	4 Bolt
		M8x60
9	3653827M1 ! 2	1 Plug
10	3653906M1 ! 1	1 Kit
11	3653308M1 ! 1	1 Dowel
12	3653857M1 M8x14	4 Bolt
13	3653739M1 ! 1	1 Gear
14	3653334M1 ! 1	1 Nut
! This is a component of an assembly		

<https://www.ebooklibonline.com>

Hello dear friend!

Thank you very much for reading.

Enter the link into your browser.

The full manual is available for immediate download.

<https://www.ebooklibonline.com>