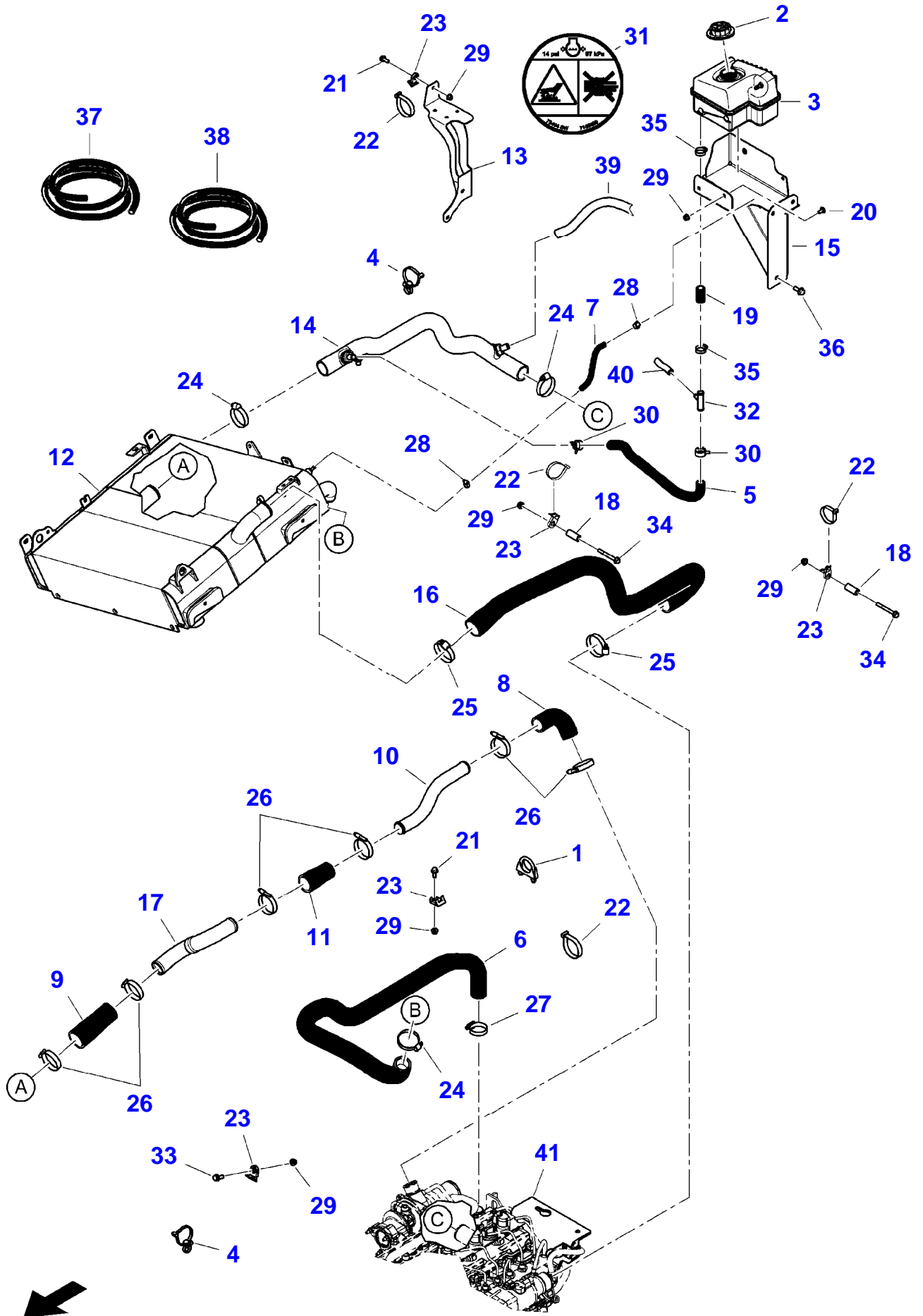


Page Number	Page Title	Page Reference
01-000-TOC	ENGINE, FUEL AND EXHAUST SYSTEM	01-000-TOC
02-000-TOC	FRAME AND SUSPENSION	02-000-TOC
03-000-TOC	DRIVE TRAIN SYSTEM	03-000-TOC
04-000-TOC	HYDRAULIC SYSTEM	04-000-TOC
05-000-TOC	ELECTRICAL SYSTEM	05-000-TOC
06-000-TOC	CAB	06-000-TOC
07-000-TOC	CHASSIS	07-000-TOC
08-000-TOC	DECALS	08-000-TOC
09-000-TOC	WHEELS	09-000-TOC
10-000-TOC	ARTICULATING ARM	10-000-TOC
11-000-TOC	HITCH	11-000-TOC
12-000-TOC	HYDROSTATIC SYSTEM	12-000-TOC
13-000-TOC	ATTACHMENTS	13-000-TOC
14-000-TOC	GENERAL INFORMATION	14-000-TOC

Page Number	Page Title	Page Reference
01-0001	COOLING SYSTEM	2371278
01-0002	AIR INTAKE	2371280
01-0003	EXHAUST SYSTEM	2371295
01-0004	SCR SYSTEM - HOUSING	2371293
01-0005	SCR SYSTEM - PUMP	2371545
01-0006	SCR SYSTEM - PLUMBING	2371546
01-0007	SCR SYSTEM - TANK	2371567
01-0008	FUEL LINE & FILTER	2371565
01-0009	ENGINE	2371562
01-0010	FLYWHEEL HOUSING	2371564
01-0011	FLYWHEEL	2371568
01-0012	CYLINDER BLOCK - UP TO ENGINE S/N 037568	2371570
01-0013	CYLINDER BLOCK - FROM ENGINE S/N 037569	2372031
01-0014	CYLINDER HEAD	2372030
01-0015	ROCKER ARM COVER	2372032
01-0016	VALVES AND ROCKER SHAFT	2372034
01-0017	CAMSHAFT	2372035
01-0018	PISTON	2380938
01-0019	OIL PAN & SEAL	2372036
01-0020	OIL PUMP	2372037
01-0021	OIL COOLER & FILTER - UP TO ENGINE S/N 031658	2372056
01-0022	OIL SEPARATOR	2372033
01-0023	WATER PUMP	2372057
01-0024	THERMOSTAT	2372058
01-0025	INTAKE AIR HEATER	2372059
01-0026	INTAKE MANIFOLD	2372060
01-0027	EGR & EGR COOLER - UP TO ENGINE S/N 037568	2372061
01-0028	EGR & EGR COOLER - FROM ENGINE S/N 037569	2372062
01-0029	INJECTION PUMP	2372063
01-0030	FUEL RAIL & INJECTORS - RAIL	2372064
01-0031	POWER TAKE OFF	2372065
01-0032	AIR CLEANER	2372066
01-0033	FUEL TANK & ATTACHMENTS	2373077
01-0034	EXHAUST MANIFOLD	2373401
01-0035	TURBOCHARGER	2373402
01-0036	RADIATOR (COMPONENTS)	2377839



<https://www.ebooklibonline.com>

Hello dear friend!

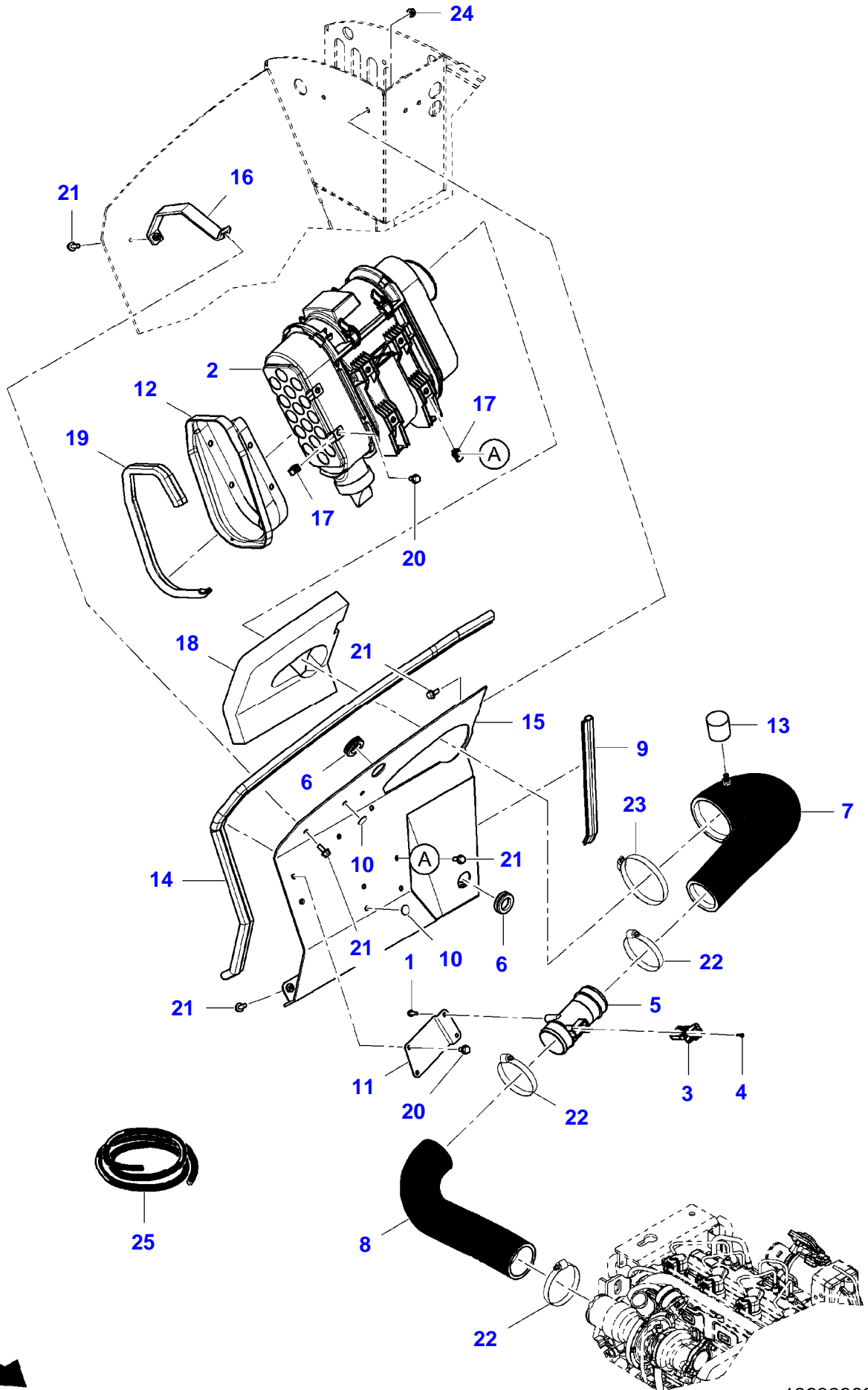
Thank you very much for reading.

Enter the link into your browser.

The full manual is available for immediate download.

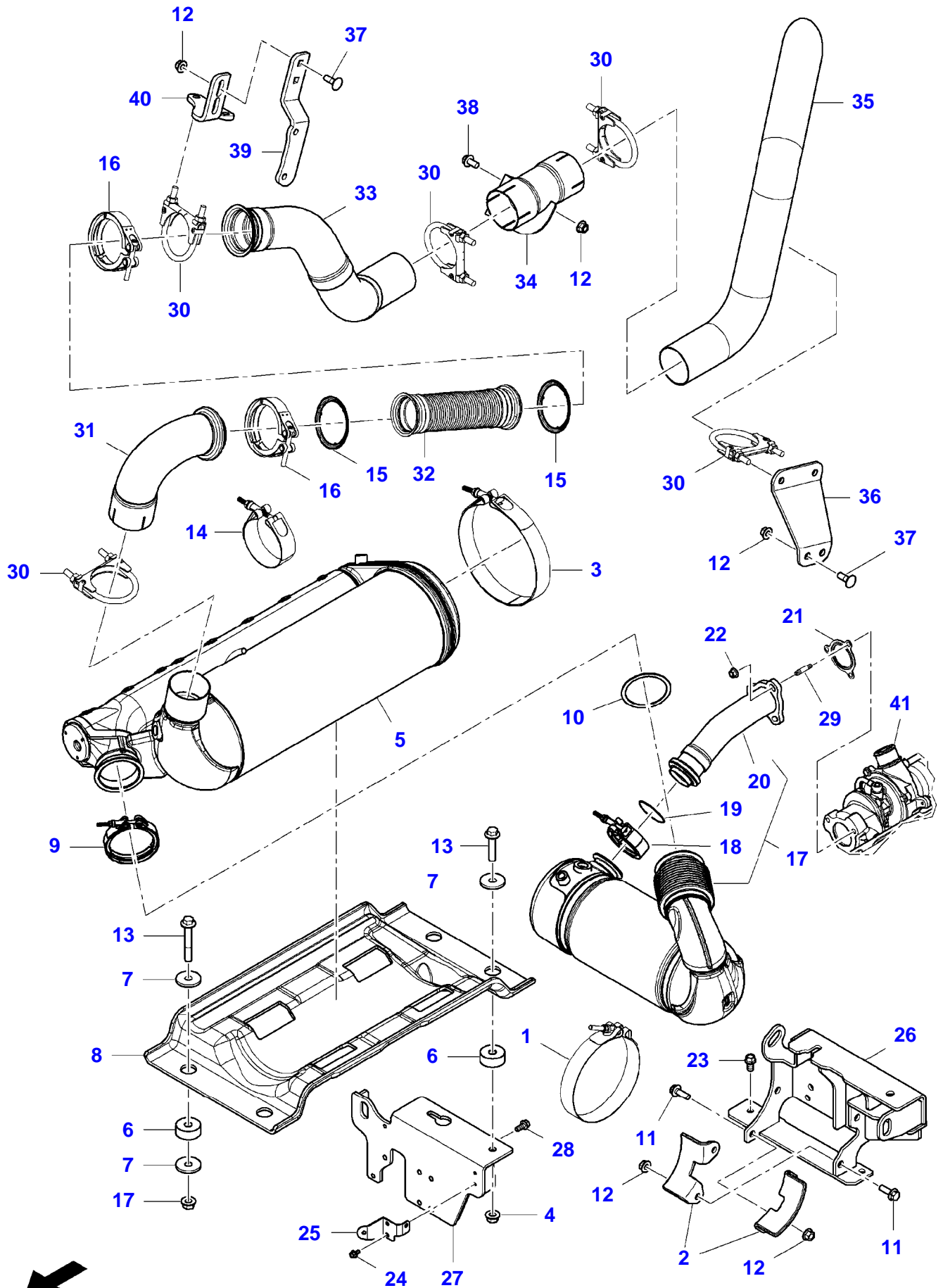
<https://www.ebooklibonline.com>

Item	Part Number	Qty	Description Comments
1	3976079M1	1	CLAMP
2	3970087M1	1	CAP INCLUDES ITEM 31
3	3973110M1	1	EXPANSION TANK
4	3972772M1	2	STRAP
5	3975850M1	1	HOSE
6	3975417M1	1	HOSE
7		1	HOSE 152 MM (5.98") ORDER ITEM 37
8	3976032M1	1	ELBOW
9	3976033M1	1	HOSE
10	3975420M1	1	TUBE
11	3976034M1	1	HOSE
12		1	EXCHANGER
13	3976077M1	1	BRACKET
14	3975758M1	1	HOSE
15	3976233M1	1	HOLDER
16	3976650M1	1	AIR HOSE
17	3976458M1	1	TUBE
18	3976038M1	2	SPACER
19		1	HOSE 42,0 MM (1.65") ORDER ITEM 38
20	3970381M1	2	BOLT
21	4240905M1	2	HEXAGON FLANGE BOLT
22	4241866M1	4	STRAP
23	4241379M1	5	BRACKET
24	3973585M1	3	CLAMP
25	3970533M1	2	CLAMP
26	3970538M1	6	CLAMP
27	3976027M1	1	CLAMP
28	3973101M1	2	CLAMP
29	3971087M1	7	NUT
30	3970546M1	2	CLAMP
31	3971728M1	1	DECAL
32	3975795M1	1	FITTING
33	3970400M1	1	HEXAGON FLANGE BOLT
34	3970406M1	2	BOLT
35	3970531M1	2	CLAMP
36	3970382M1	3	HEXAGON FLANGE BOLT
37	3971741M1	X	HOSE ORDER PER FOOT (1FT = 30.47 CM)
38	3976786M1	X	HEATER HOSE ORDER PER FOOT (1FT = 30.47 CM)
39		1	HOSE SEE PAGE 06-0024
40		1	HOSE SEE PAGE 01-0006
41		1	ENGINE SEE PAGE 01-0009



Item	Part Number	Qty	Description Comments
1	3971403M1	2	SCREW
2	3976125M1	1	AIR FILTER SEE PAGE 01-0032 INCLUDES ITEM 17
3	3975579M1	1	SENSOR MASS AIR FLOW SENSOR (MAF)
4	3975581M1	2	SCREW
5	3975582M1	1	HOUSING
6	3973945M1	2	GROMMET
7	3976092M1	1	HOSE
8	3975289M1	1	HOSE
9	NS	1	NON-SERVICEABLE PART SEAL 320 MM (12.6") ORDER ITEM 25
10	3976204M1	4	DECAL
11	3975793M1	1	PLATE
12	3976076M1	1	BOOT
13	3970130M1	1	SENSOR AIR FILTER
14	NS	1	NON-SERVICEABLE PART SEAL 1250 MM (49.2") ORDER ITEM 25
15	3975974M1	1	PLATE
16	3975975M1	1	PLATE
17	3971101M1	8	NUT
18	3976720M1	1	FOAM REPAIRS AND REPLACES 3975976M1
19	NS	1	NON-SERVICEABLE PART SEAL 595 MM (23.4") ORDER ITEM 25
20	3970399M1	6	HEXAGON FLANGE BOLT
21	4240905M1	9	HEXAGON FLANGE BOLT
22	3970536M1	3	CLAMP
23	3975977M1	1	CLAMP
24	3971087M1	1	NUT
25	3970779M1		GASKET ORDER PER FOOT (1FT = 30.47 CM)

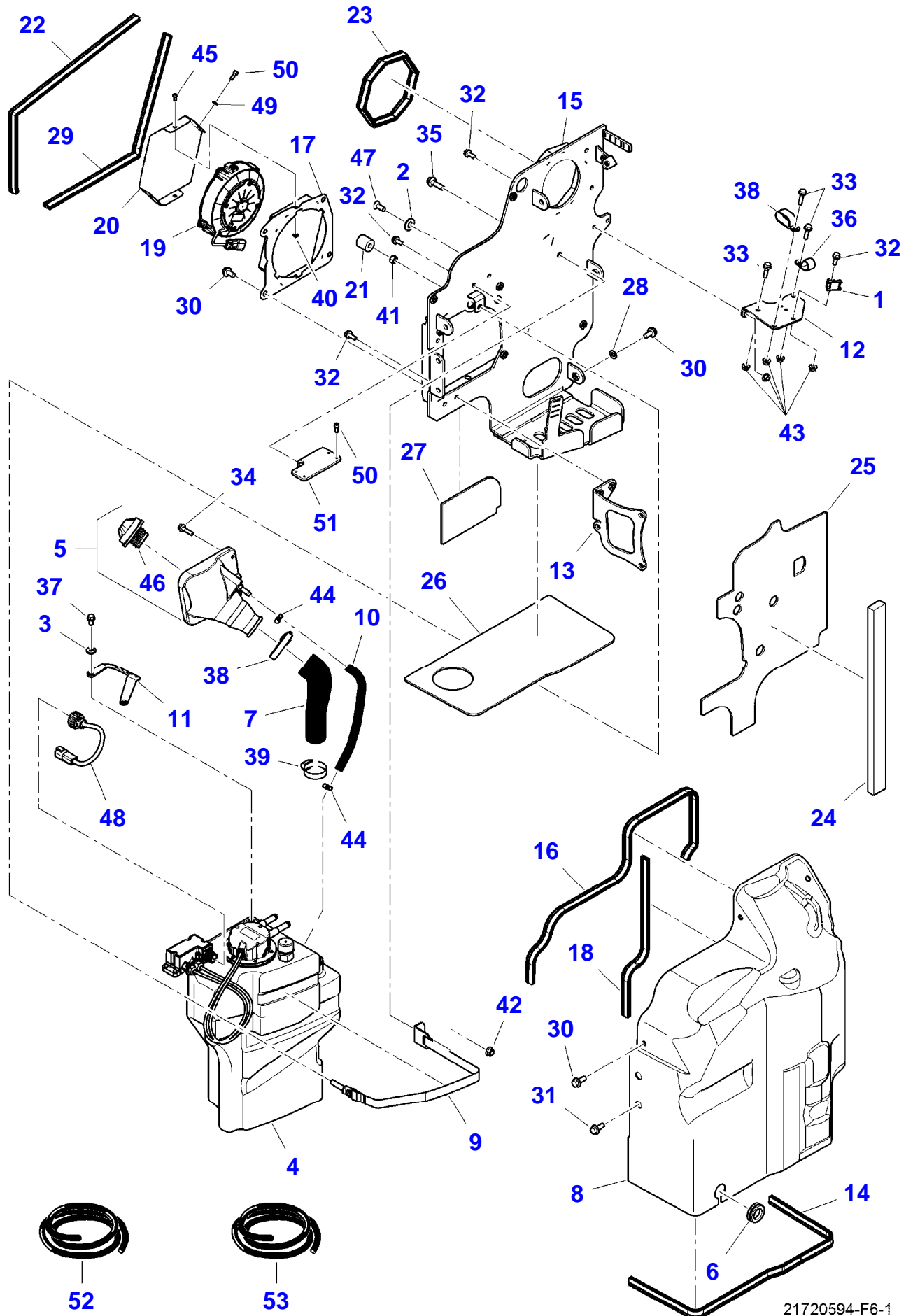
TH.8043 130 ST4A (B4C1/B4C2/B4P811001-99999)
(BCFB4C1NCJ0D/BCFB4C2NCJ0D/BCFB4P8NCJ0D11001-99999)
13998561-F6-2



13998561-F6-2

Item	Part Number	Qty	Description Comments	Technical Specification
1	3977234M1	2	CLAMP REPAIRS AND REPLACES 3975574M1 DO NOT RE-USE ONCE REMOVED	
2	3975578M1	2	MOUNT	
3	3976018M1	2	CLAMP	
4	3971094M1	4	NUT INCLUDES ITEMS 18-20	
5	3976085M1	1	ENGINE	SRC
6	3975773M1	4	SPACER	
7	3975343M1	6	WASHER	
8	3976116M1	1	MOUNTING	
9	3975606M1	1	CLAMP	
10	3975607M1	1	GASKET	
11	3970384M1	4	HEXAGON FLANGE BOLT	
12	3971083M1	12	NUT	
13	3976478M1	4	BOLT	
14	3976844M1	2	CLAMP	
15	3972964M1	2	GASKET	
16	3973657M1	2	COUPLING	
17	3972498M1	4	NUT	
18	NS	1	NON-SERVICEABLE PART CLAMP ORDER ITEM 17	
19	NS	1	NON-SERVICEABLE PART GASKET ORDER ITEM 17	
20	NS	1	NON-SERVICEABLE PART PIPE ORDER ITEM 17	
21	3975226M1	1	GASKET	
22	3975545M1	3	NUT	
23	3975525M1	8	BOLT	
24	3975510M1	2	BOLT	
25	3975628M1	1	BRACKET	
26	3975907M1	1	BRACKET	
27	3975908M1	1	BRACKET	
28	3975504M1	6	BOLT	
29	3975650M1	3	STUDS	
30	3975800M1	5	CLAMP	
31	3975319M1	1	TUBE	
32	3976479M1	1	EXHAUST PIPE	
33	3975318M1	1	TUBE	
34	3975316M1	1	TUBE	
35	3975979M1	1	PIPE	
36	3976179M1	1	SUPPORT	
37	3975396M1	6	BOLT	
38	3970382M1	2	HEXAGON FLANGE BOLT	
39	3976173M1	1	PLATE	
40	3976174M1	1	PLATE	
41		1	TURBOCHARGER SEE PAGE 01-0035	

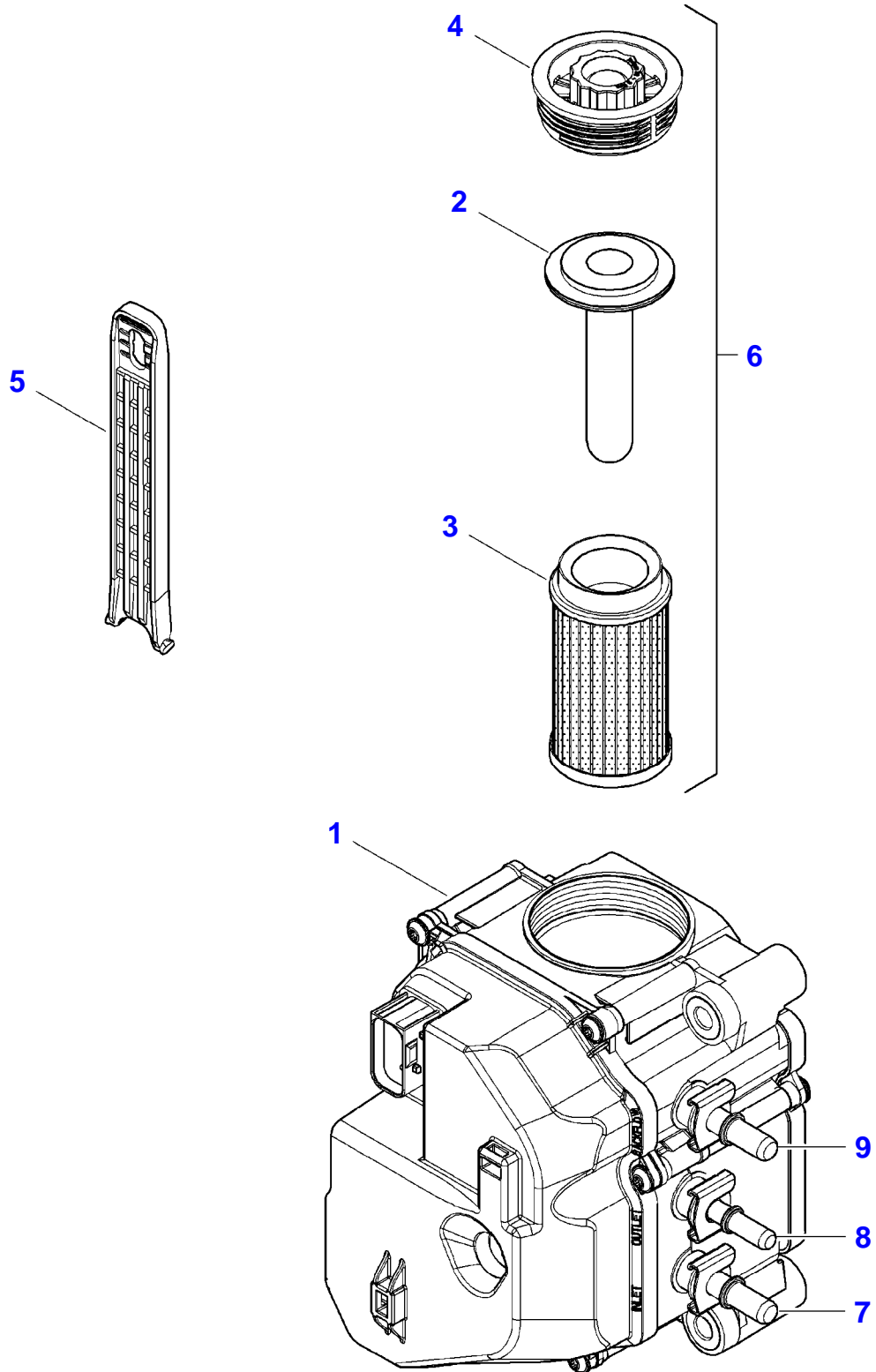
TH.8043 130 ST4A (B4C1/B4C2/B4P811001-99999)
(BCFB4C1NCJ0D/BCFB4C2NCJ0D/BCFB4P8NCJ0D11001-99999)
21720594-F6-1



21720594-F6-1

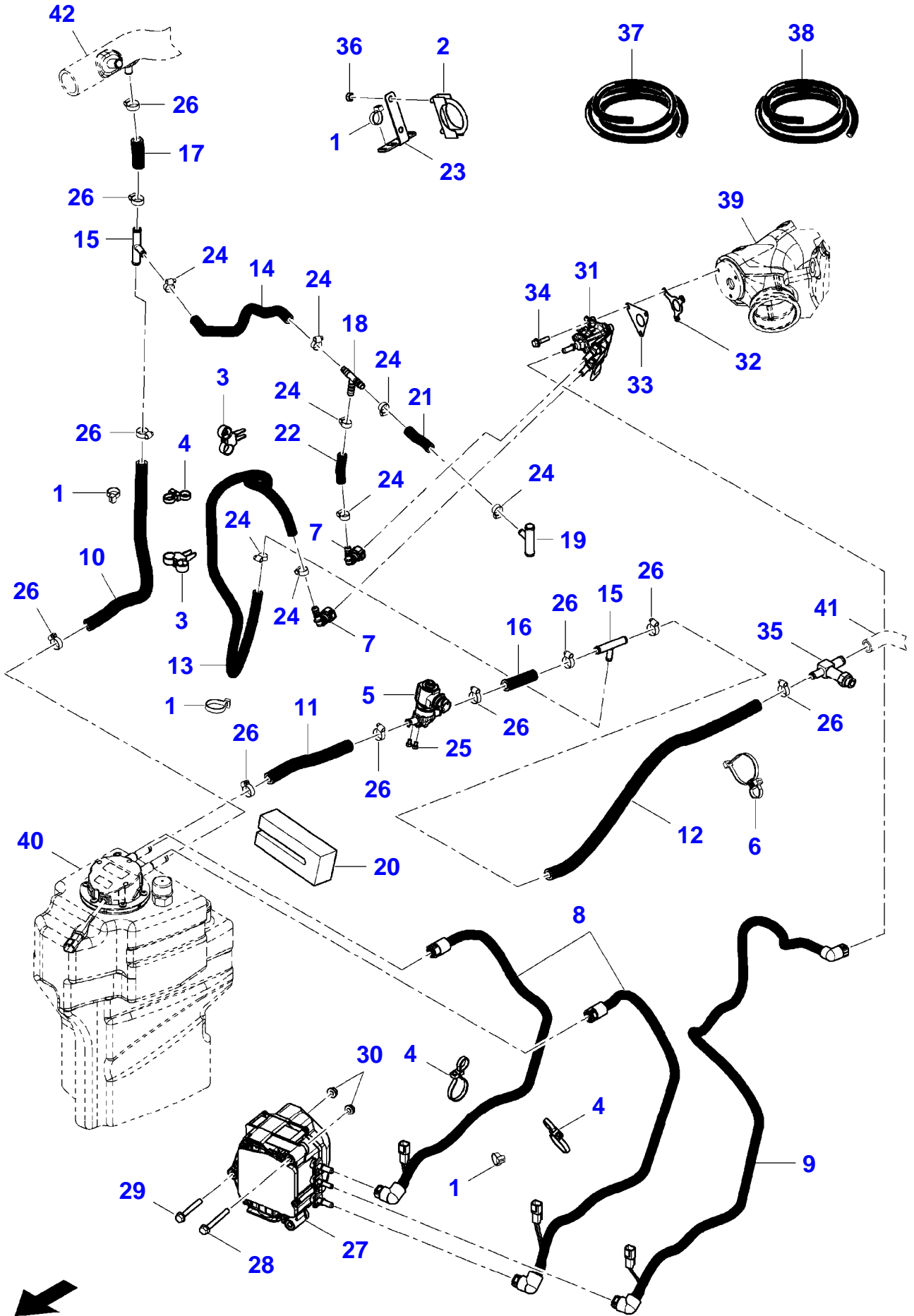
Item	Part Number	Qty	Description Comments
1	4241376M1	1	BRACKET
2	3976723M1	1	WASHER
3	3972948M1	2	WASHER
4		1	
			SEE PAGE 01-0007
5	3976019M1	1	TRAY INCLUDES ITEM 46
6	3973945M1	1	GROMMET
7	3975347M1	1	HOSE
8	3976725M1	1	COVER
9	3975733M1	1	STRAP INCLUDES ITEM 41
10		1	HOSE NO LONGER AVAILABLE 310MM (12.2") ORDER ITEM 52
11	3976178M1	1	SUPPORT
12	3976176M1	1	PLATE
13	3975764M1	1	SUPPORT
14		1	SEAL NO LONGER AVAILABLE 855MM (33.6") ORDER ITEM 53
15	3976726M1	1	SUPPORT
16		1	SEAL NO LONGER AVAILABLE 940MM (37.0") ORDER ITEM 53
17	3976180M1	1	SUPPORT
18		1	SEAL NO LONGER AVAILABLE 480MM (18.9") ORDER ITEM 53
19	3975366M1	1	FAN
20	3976169M1	1	FAN
21	3975820M1	1	FOAM
22		2	SEAL NO LONGER AVAILABLE 630MM (24.8") ORDER ITEM 53
23		1	SEAL NO LONGER AVAILABLE 540MM (21.3") ORDER ITEM 53
24	3976025M1	1	FOAM
25	3976727M1	1	INSULATION
26	3975847M1	1	INSULATION
27	3975884M1	1	INSULATION
28	3971671M1	2	WASHER
29		1	SEAL NO LONGER AVAILABLE 600MM (23.6") ORDER ITEM 53
30	3970382M1	10	HEXAGON FLANGE BOLT
31	3970383M1	2	HEXAGON FLANGE BOLT
32	4240905M1	9	HEXAGON FLANGE BOLT
33	3970400M1	3	HEXAGON FLANGE BOLT
34	3976026M1	2	BOLT
35	3971383M1	1	SCREW
36	4241957M1	1	CLAMP
37	3975982M1	2	BOLT

Item	Part Number	Qty	Description Comments
38	3970533M1	1	CLAMP
39	3976027M1	1	CLAMP
40	3976028M1	4	NUT
41	NS	1	NON-SERVICEABLE PART NUT
42	3971083M1	1	NUT
43	3971087M1	6	NUT
44	3973101M1	2	CLAMP
45	3971381M1	3	SCREW
46	3976029M1	1	CAP
47	3976728M1	1	SCREW
48		1	SEE PAGE 05-0004
49	3971676M1	2	WASHER
50	3970420M1	5	BOLT
51	3976729M1	1	SUPPORT
52	3975589M1	X	HOSE BULK ORDER PER FOOT (1FT = 30.47 CM)
53	3975434M1	X	GASKET ORDER PER FOOT (1FT = 30.47 CM)



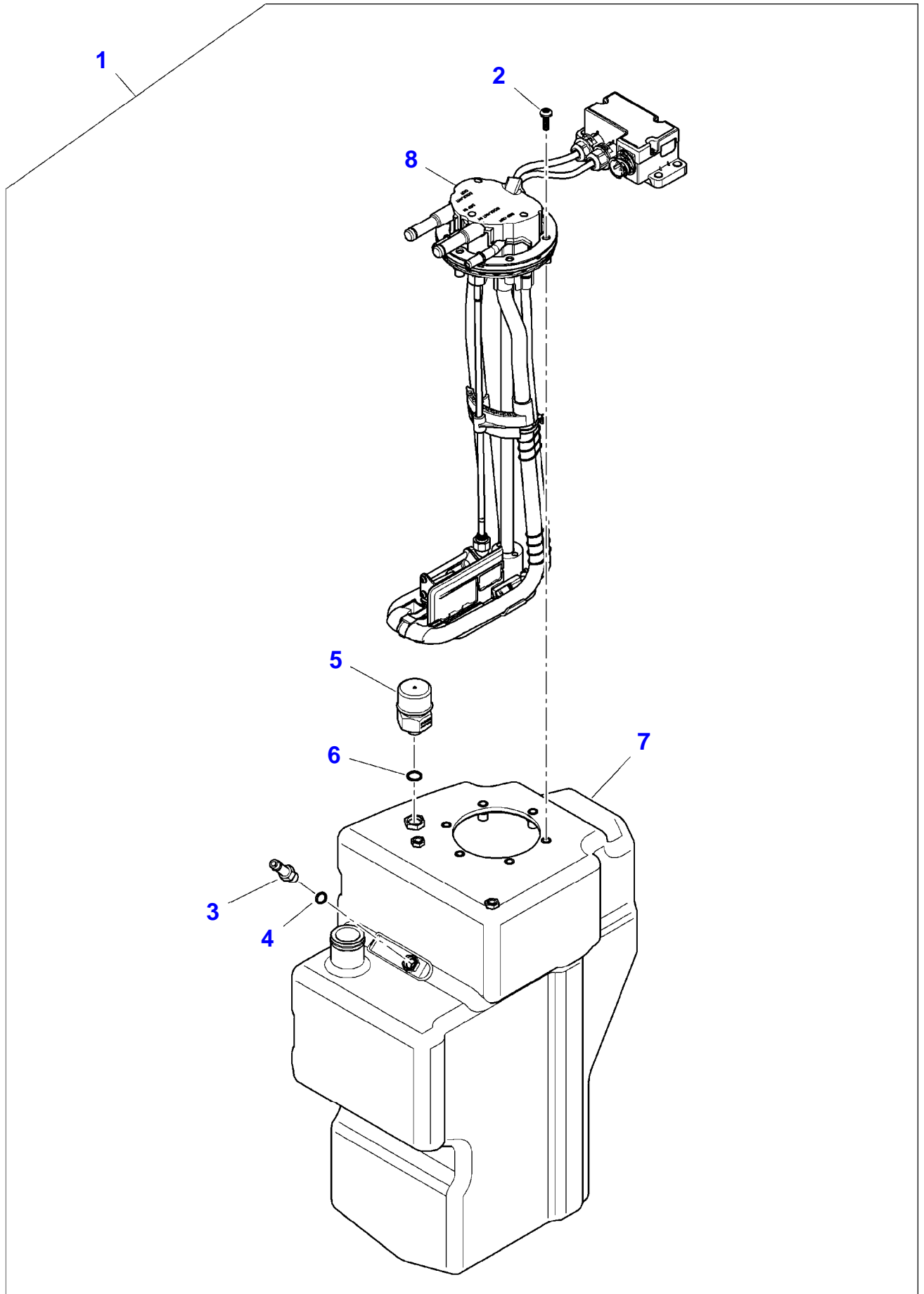
Item	Part Number	Qty	Description Comments
1	3975571M1	1	PUMP INCLUDES ITEMS 2-4 & 7-9
2	NS	1	NON-SERVICEABLE PART ORDER ITEM 6
3	NS	1	NON-SERVICEABLE PART FILTER ORDER ITEM 6
4	NS	1	NON-SERVICEABLE PART CAP ORDER ITEM 6
5	NS	1	NON-SERVICEABLE PART TOOL ORDER ITEM 6
6	3976352M1	1	KIT, FILTER INCLUDES ITEMS 2-5
7	3976717M1	1	KIT, SERVICE INLET
8	3976718M1	1	KIT, SERVICE OUTLET
9	3976719M1	1	KIT, SERVICE BACKFLOW

TH.8043 130 ST4A (B4C1/B4C2/B4P811001-99999)
(BCFB4C1NCJ0D/BCFB4C2NCJ0D/BCFB4P8NCJ0D11001-99999)
13933816-F6-1



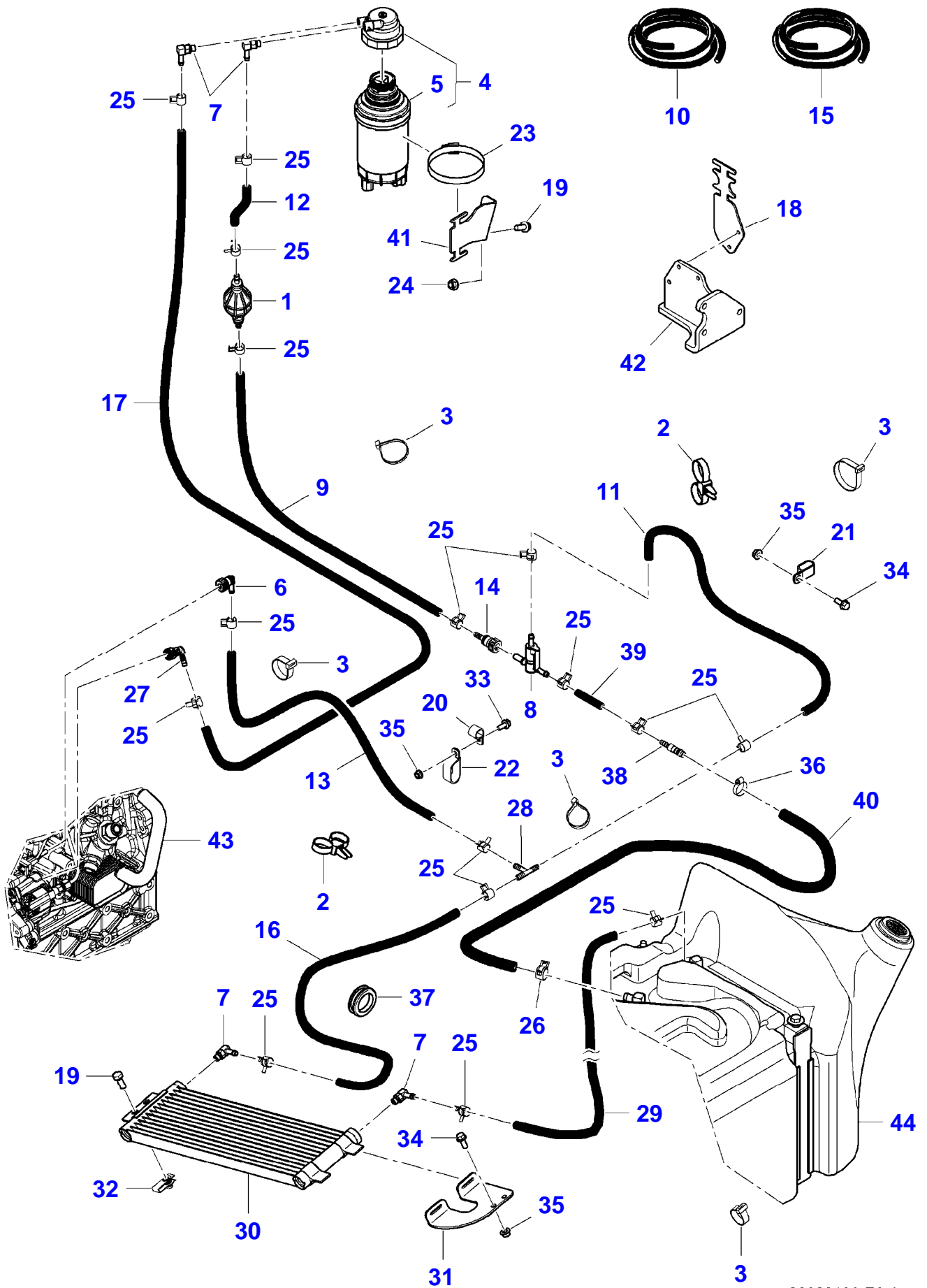
Item	Part Number	Qty	Description Comments
1	4238208M1	11	CABLE TIE
2	3976030M1	1	CLAMP INCLUDES ITEM 36
3	4241375M1	4	TIE
4	3972580M1	3	STRAP
5	3975575M1	1	VALVE
6	3972772M1	1	STRAP
7	3973927M1	2	FITTING
8	3977161M1	2	DEF HOSE
9	3977160M1	1	DEF HOSE
10	NS	1	NON-SERVICEABLE PART HOSE 500 MM (19.68") ORDER ITEM 37
11	NS	1	NON-SERVICEABLE PART HOSE 270 MM (10.63") ORDER ITEM 37
12	NS	1	NON-SERVICEABLE PART HOSE 535 MM (21.06") ORDER ITEM 37
13	NS	1	NON-SERVICEABLE PART HOSE 1020 MM (40.16") ORDER ITEM 38
14	NS	1	NON-SERVICEABLE PART HOSE 400MM (15.7") ORDER ITEM 38
15	3975739M1	2	FITTING
16	NS	1	NON-SERVICEABLE PART HOSE 72,0MM (3.0") ORDER ITEM 37
17	NS	1	NON-SERVICEABLE PART HOSE 55,0 MM (2.16") ORDER ITEM 37
18	3976165M1	1	TEE
19		1	TEE SEE PAGE 01-0001
20	3976031M1	1	FOAM
21	NS	1	NON-SERVICEABLE PART HOSE 120 MM (4.7") ORDER ITEM 38
22	NS	1	NON-SERVICEABLE PART HOSE 60 MM (2.3") ORDER ITEM 38
23	3976172M1	1	PLATE
24	3973101M1	8	CLAMP
25	3975984M1	2	SCREW
26	3973102M1	10	CLAMP
27	3975571M1	1	PUMP
28	3970406M1	1	BOLT
29	3970405M1	2	HEXAGON FLANGE BOLT
30	3971087M1	3	NUT
	3971096M1	5	NUT
31	3975596M1	1	MODULE
	3975680M1		GASKET
32	3975608M1	1	GASKET
33	3975609M1	1	SHIELD
34	3975949M1	3	BOLT
35	3975740M1	1	FITTING
	4240785M1		O RING

Item	Part Number	Qty	Description Comments
36	NS	2	NON-SERVICEABLE PART NUT (2)
37	3975449M1	X	HOSE ORDER PER FOOT (1FT = 30.47 CM)
38	3975589M1	X	HOSE ORDER PER FOOT (1FT = 30.47 CM)
39		1	SELECTOR SEE PAGE 01-0003
40		1	TANK SEE PAGE 01-0007
41		1	HOSE SEE PAGE 06-0024
42		1	HOSE SEE PAGE 01-0001



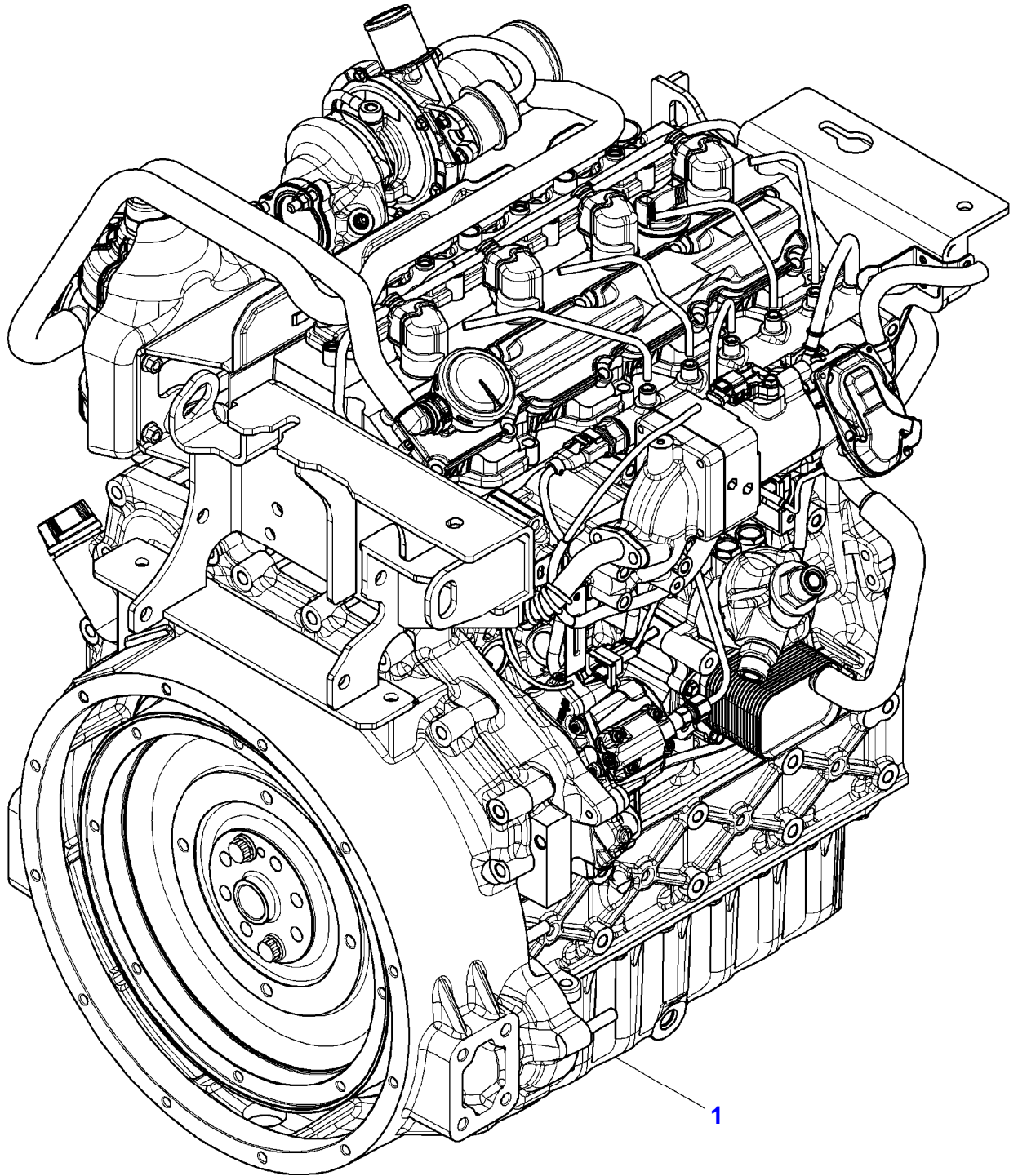
Item	Part Number	Qty	Description Comments	Technical Specification
1	3976724M1	1	TANK INCLUDES ITEMS 2-8	
2	3975612M1	6	SCREW	
3	3975613M1	1	FITTING	
4	3975614M1	1	O RING	
5	3975616M1	1	BREATHER	
6	3975615M1	1	O RING	
7	3976730M1	1	TANK	
8	3976567M1	1	SENSOR	AWS

TH.8043 130 ST4A (B4C1/B4C2/B4P811001-99999)
(BCFB4C1NCJ0D/BCFB4C2NCJ0D/BCFB4P8NCJ0D11001-99999)
20980196-F6-1



Item	Part Number	Qty	Description Comments	Technical Specification
1	4241437M1	1	PUMP	
2	4241375M1	5	TIE	
3	4238208M1	7	CABLE TIE	
4	3975489M1	1	FILTER	
			COMPLETE ASSEMBLY	
5	3975262M1	1	FUEL FILTER	
6	3975985M1	1	CONNECTOR	
7	3975570M1	4	FITTING	
	4241158M1		O RING	
8	3976584M1	1	VALVE	
			REPAIRS AND REPLACES 3975986M1	
9	NS	1	NON-SERVICEABLE PART	
			HOSE	
			770 MM(30.3")	
			ORDER ITEM 10	
10	3971741M1	X	HOSE	
			ORDER PER FOOT (1FT = 30.47 CM)	
11	NS	1	NON-SERVICEABLE PART	
			HOSE	
			407 MM (16.0")	
			ORDER ITEM 10	
12	NS	1	NON-SERVICEABLE PART	
			HOSE	
			100 MM (3.94")	
			ORDER ITEM 10	
13	NS	1	NON-SERVICEABLE PART	
			HOSE	
			730 MM (28.7")	
			ORDER ITEM 10	
14	3976209M1	1	CONNECTOR	
15	3976210M1	X	HOSE	
			ORDER PER FOOT (1FT = 30.47 CM)	
16	NS	1	NON-SERVICEABLE PART	
			HOSE	
			2353 MM (92.6")	
			ORDER ITEM 10	
17	NS	1	NON-SERVICEABLE PART	
			HOSE	
			2155 MM (84.8")	
			ORDER ITEM 10	
18	3976860M1	1	FILTER	
			WITH PNEUMATIC BRAKES	
19	3970383M1	3	HEXAGON FLANGE BOLT	
20	3970558M1	1	CLAMP	
21	3970565M1	3	CLAMP	
22	4240911M1	1	CLAMP	
23	3970537M1	2	CLAMP	
24	3971083M1	2	NUT	
25	4240165M1	15	CLAMP	
26	3970545M1	1	CLAMP	
27	3975580M1	1	CONNECTOR	
28	3975567M1	1	TEE	
29	NS	1	NON-SERVICEABLE PART	
			HOSE	
			2708 MM (106.6")	
			ORDER ITEM 10	
30	3975730M1	1	EXCHANGER	
31	3976732M1	1	HOLDER	
32	3974005M1	1	NUT	
33	3970402M1	1	BOLT	
			WITH PNEUMATIC BRAKES	
	3970400M1	1	HEXAGON FLANGE BOLT	
			WITHOUT PNEUMATIC BRAKES	
34	4240905M1	5	HEXAGON FLANGE BOLT	
35	3971087M1	6	NUT	
36	3973102M1	1	CLAMP	
			REPAIRS AND REPLACES 3970532M1	
37	3970807M1	1	GROMMET	

Item	Part Number	Qty	Description Comments	Technical Specification
38	3976551M1	1	ADAPTER	12-8
39	NS	1	NON-SERVICEABLE PART HOSE 70,0 MM (2.8") ORDER ITEM 10	
40	NS	1	NON-SERVICEABLE PART HOSE 2064 MM (81.3") ORDER ITEM 15	
41	3976731M1	1	HOLDER	
42		1	HOLDER	
43		1	ENGINE	
44		1	TANK SEE PAGE 01-0033	





Suggest:

For more complete manuals. Please go to the home page.

<https://www.ebooklibonline.com>

If the above button click is invalid. Please download this document first, and then click the above link to download the complete manual.

Thank you so much for reading

Massey Ferguson

TH.8043 130 ST4A (B4C1/B4C2/B4P811001-99999)

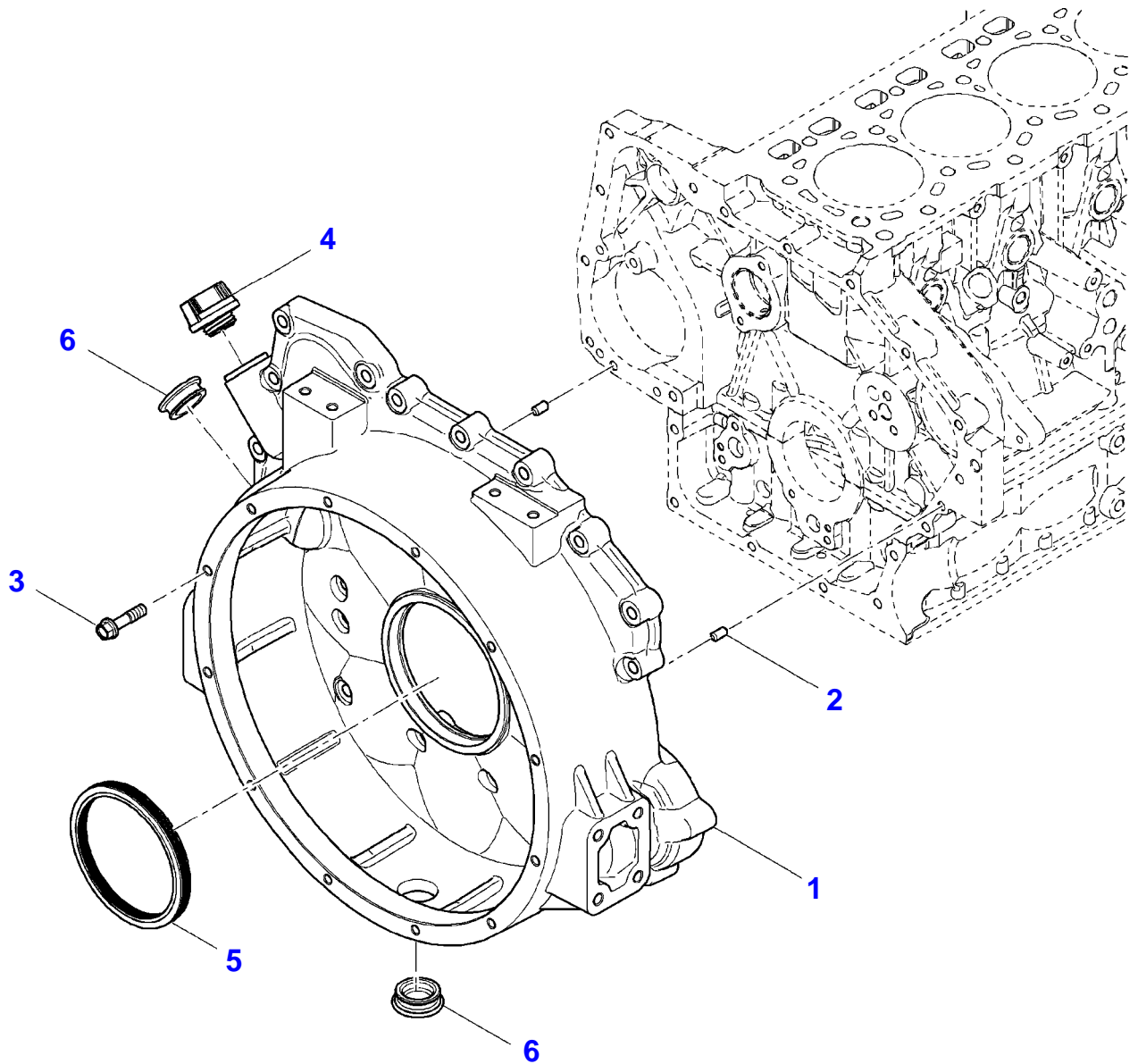
6246456

(BCFB4C1NCJ0D/BCFB4C2NCJ0D/BCFB4P8NCJ0D11001-99999)

ENGINE

Page01-0009

Item	Part Number	Qty	Description Comments
1	3976083M1	1	ENGINE ENG, D34 130HP EPA TIER V / EU STAGE IV



<https://www.ebooklibonline.com>

Hello dear friend!

Thank you very much for reading.

Enter the link into your browser.

The full manual is available for immediate download.

<https://www.ebooklibonline.com>