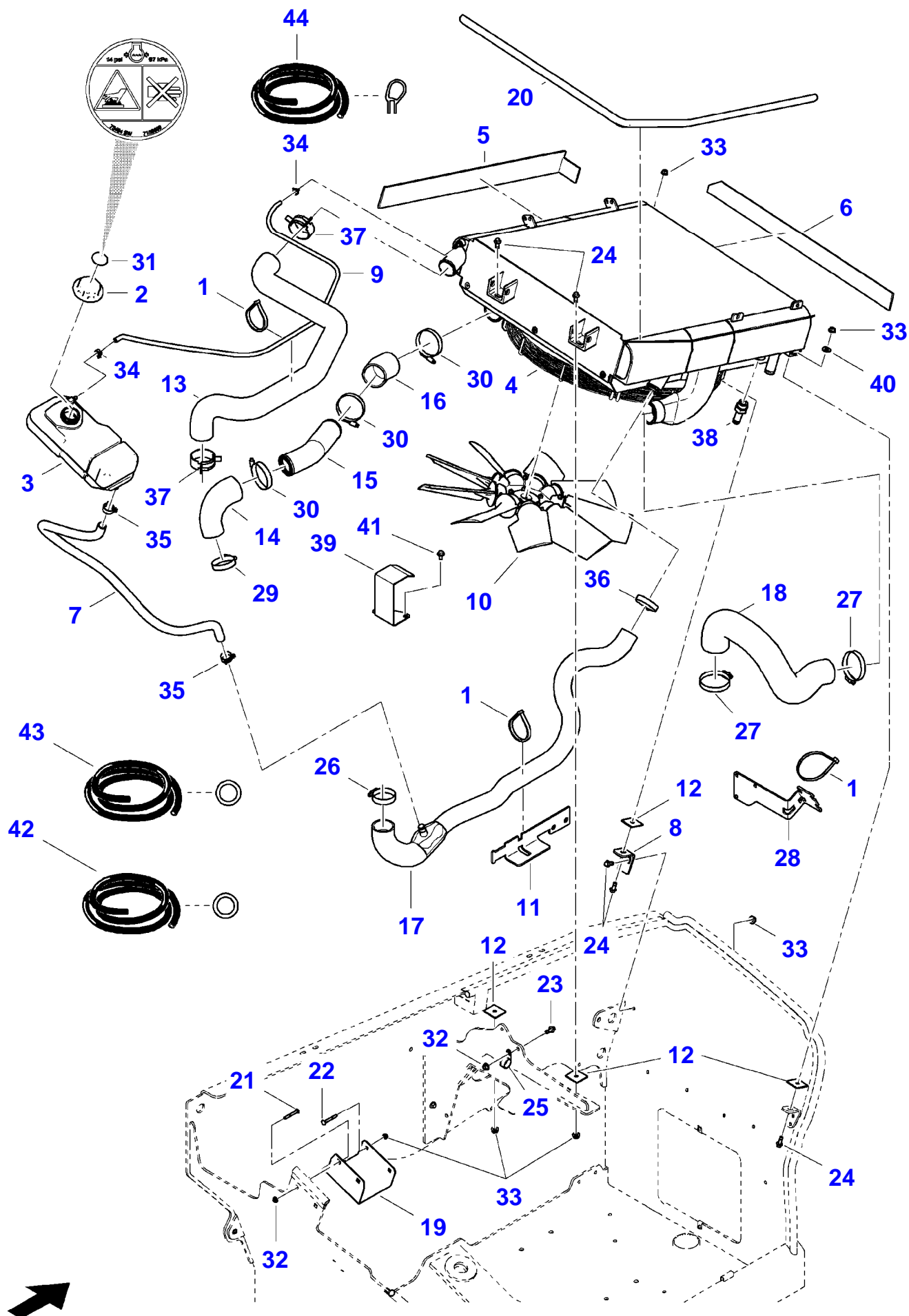


Page Number	Page Title	Page Reference
01-000-TOC	ENGINE, FUEL AND EXHAUST SYSTEM	01-000-TOC
02-000-TOC	FRAME AND SUSPENSION	02-000-TOC
03-000-TOC	STEERING SYSTEM	03-000-TOC
04-000-TOC	DRIVE TRAIN SYSTEM	04-000-TOC
05-000-TOC	HYDRAULIC SYSTEM	05-000-TOC
06-000-TOC	ELECTRICAL SYSTEM	06-000-TOC
07-000-TOC	CAB	07-000-TOC
08-000-TOC	DECALS	08-000-TOC
09-000-TOC	WHEELS	09-000-TOC
10-000-TOC	ARTICULATING ARM	10-000-TOC
11-000-TOC	HITCH	11-000-TOC
12-000-TOC	HYDROSTATIC SYSTEM	12-000-TOC
13-000-TOC	ATTACHMENTS	13-000-TOC
14-000-TOC	GENERAL INFORMATION	14-000-TOC

Page Number	Page Title	Page Reference
01-0001	COOLING SYSTEM	2367220
01-0002	COOLING SYSTEM - RADIATOR	2367221
01-0003	AIR CONDITIONING - ENGINE	2367222
01-0004	ENGINE AUXILIARY EQUIPMENT - MOUNTING	2367223
01-0005	ENGINE & EQUIPMENT - AIR INTAKE & EXHAUST	2367224
01-0006	ROCKER ARM COVER	2367225
01-0007	FLYWHEEL	2367226
01-0008	OIL PAN	2367227
01-0009	OIL COOLER & OIL FILTER - OIL COOLER & OIL FILTER	2367228
01-0010	WATER PUMP & THERMOSTAT	2367229
01-0011	FUEL PRE-FILTER	2367230
01-0012	FUEL FILTER	2367231
01-0013	TURBOCHARGER - PIPES	2367232
01-0014	FAN MOTOR - (COMPONENTS)	2368845
01-0015	FUEL LINES - FUEL FILTER & PIPES	2369614
01-0016	FUEL TANK & ATTACHMENTS	2369752



<https://www.ebooklibonline.com>

Hello dear friend!

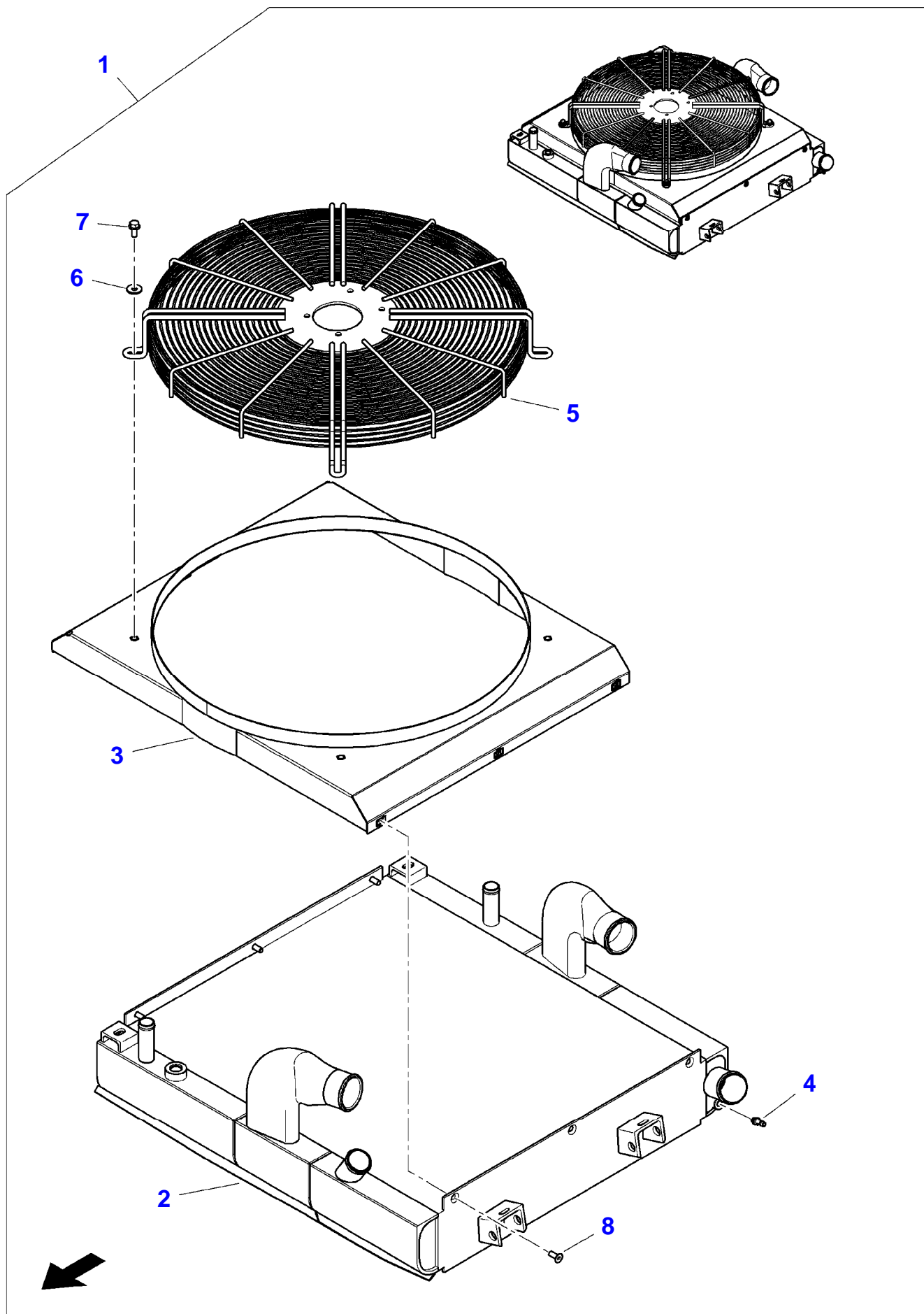
Thank you very much for reading.

Enter the link into your browser.

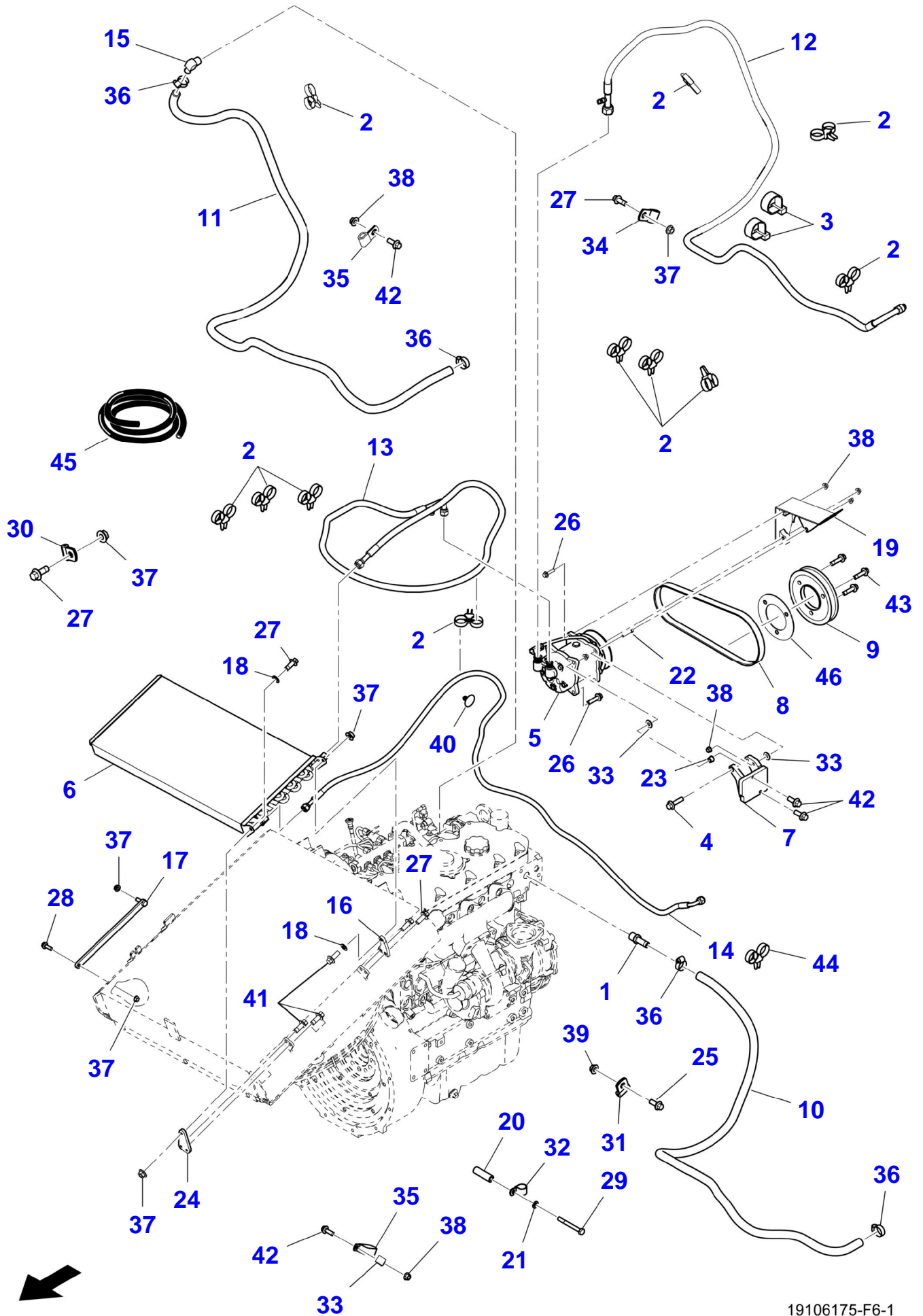
The full manual is available for immediate download.

<https://www.ebooklibonline.com>

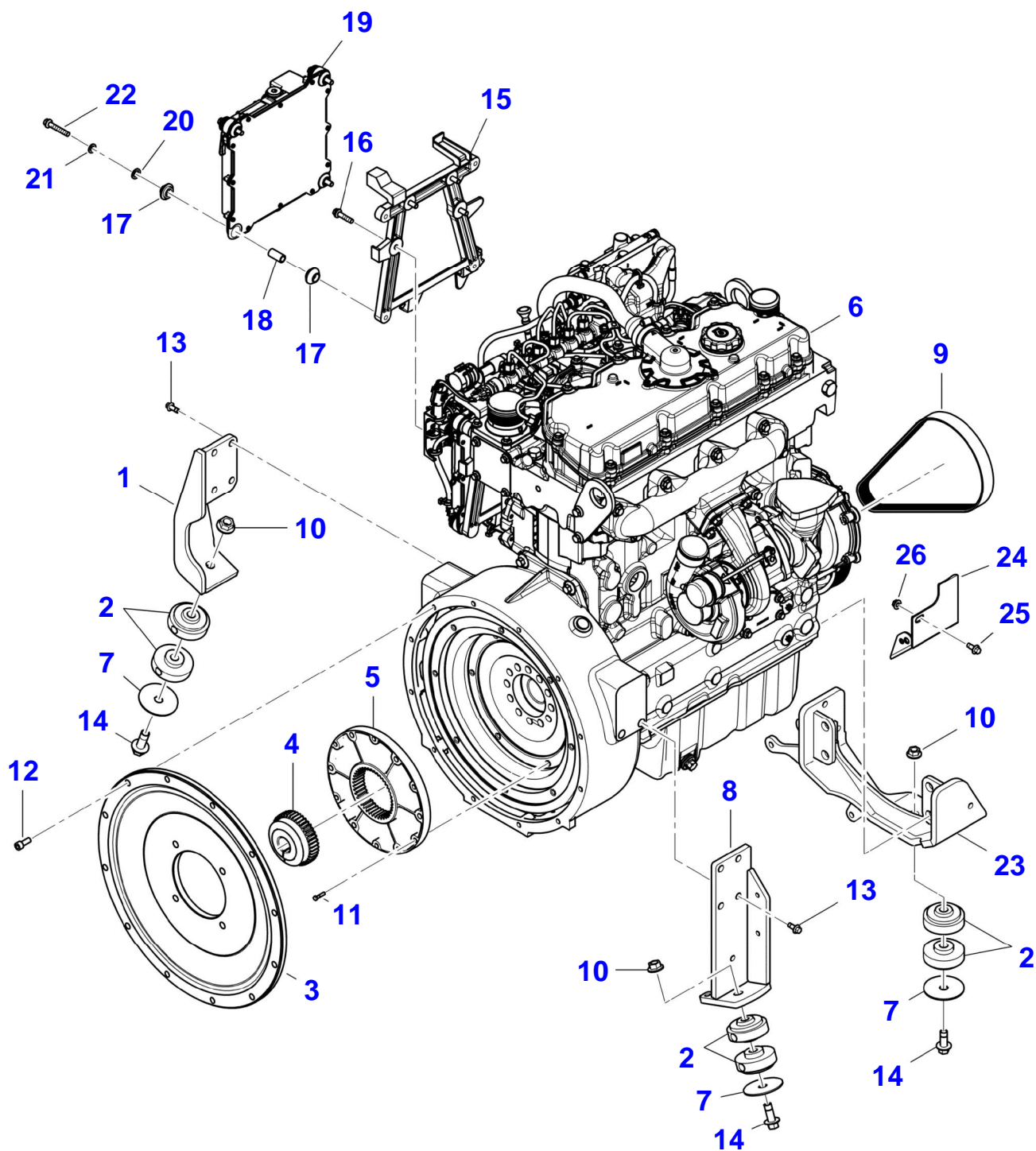
Item	Part Number	Qty	Description Comments
1	4238208M1	6	CABLE TIE
2	3970087M1	1	CAP INCLUDES ITEMS 31
3	3971591M1	1	TANK
4	3976541M1	1	EXCHANGER
5	3970780M1	1	GASKET
6	3970781M1	1	GASKET
7	NS	1	NON-SERVICEABLE PART HOSE 950MM(37.4") ORDER ITEM 43
8	3970843M1	1	HOLDER
9	NS	1	NON-SERVICEABLE PART HOSE 1330MM(52.4") ORDER ITEM 42
10	3972481M1	1	FAN
11	3970845M1	1	HOLDER
12	3970784M1	4	GASKET
13	3976411M1	1	HOSE
14	3976465M1	1	HOSE
15	3976464M1	1	PIPE
16	3976463M1	1	HOSE
17	3970982M1	1	HOSE
18	3976410M1	1	HOSE
19	3971074M1	1	MOUNTING
20	NS	1	NON-SERVICEABLE PART GASKET 1392MM(54.8") ORDER ITEM 44
	NS	1	NON-SERVICEABLE PART GASKET 1357 MM (53.4) ORDER ITEM 44
21	3970444M1	2	BOLT
22	3970381M1	2	BOLT
23	3970383M1	1	HEXAGON FLANGE BOLT
24	3970400M1	5	HEXAGON FLANGE BOLT
25	4241138M1	1	CLAMP
26	3970533M1	1	CLAMP
27	3970535M1	2	CLAMP
28	3976814M1	1	HOSE HOLDER REPAIRS AND REPLACES 3976424M1
29	3970538M1	1	CLAMP
30	3970539M1	3	CLAMP
31	3971728M1	1	DECAL
32	3971083M1	3	NUT
33	3971087M1	7	NUT
34	4240165M1	2	CLAMP
35	3970546M1	2	CLAMP
36	3973585M1	1	CLAMP
37	3970548M1	2	CLAMP
38	3970697M1	1	UNION
	4240785M1	X	O RING
39	3976423M1	1	HOLDER
40	3971664M1	1	WASHER
41	3970399M1	2	HEXAGON FLANGE BOLT
42	3970882M1	X	HOSE ORDER PER FOOT (1FT = 30.47 CM)
43	3970881M1	X	HOSE ORDER PER FOOT (1FT = 30.47 CM)
44	3970779M1	1	GASKET ORDER PER FOOT (1FT = 30.47 CM)



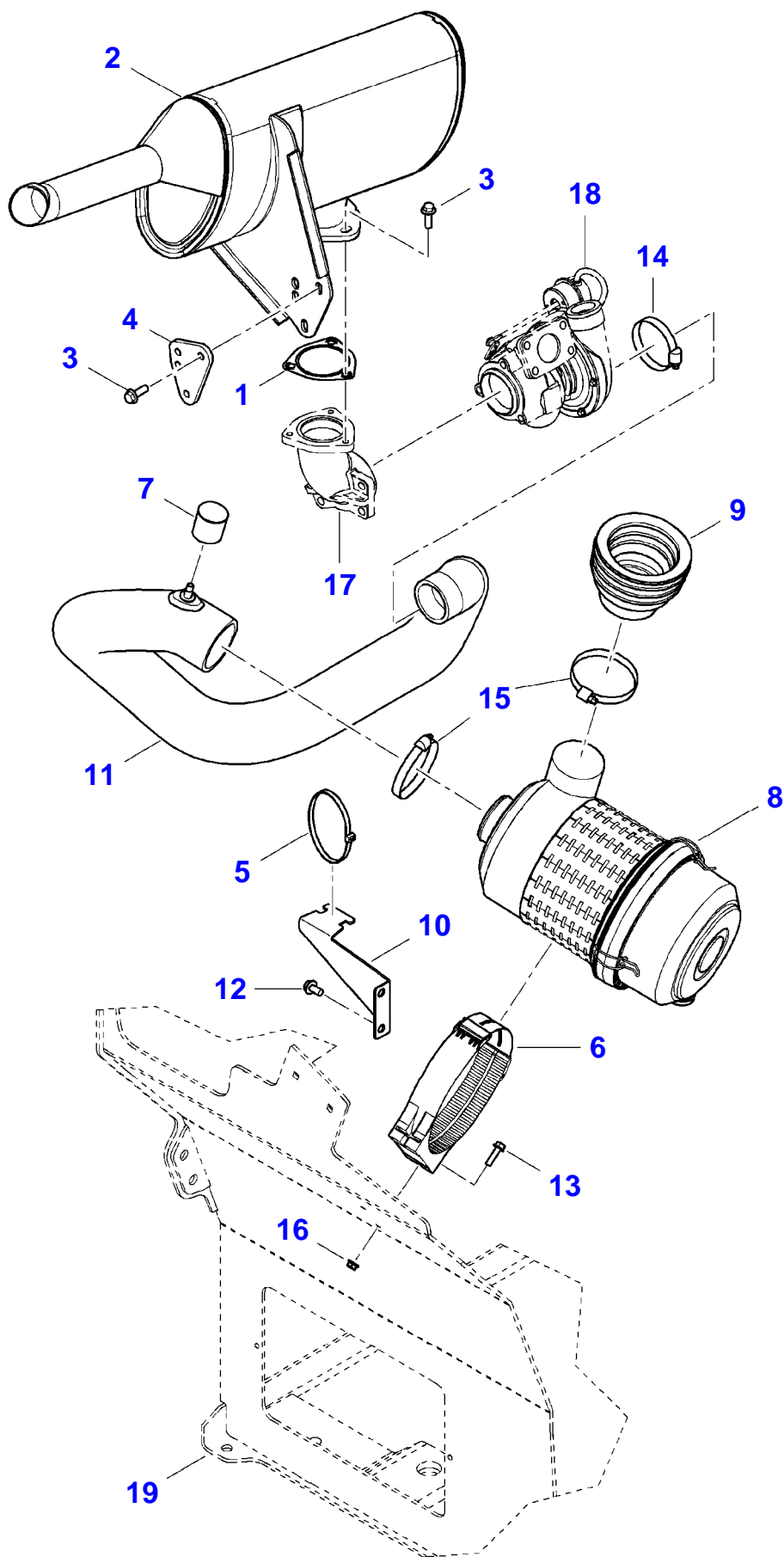
Item	Part Number	Qty	Description Comments
1	3976541M1	1	EXCHANGER INCLUDES ITEMS 2-8 WITH INTEGRAL HOSE CONNECTORS
2	3976542M1	1	EXCHANGER WITH INTEGRAL HOSE CONNECTORS
3	3972528M1	1	SHROUD
4	3970686M1	1	FITTING
5	3972530M1	1	GUARD
6	3973122M1	4	WASHER
7	4240905M1	4	HEXAGON FLANGE BOLT USED WITH 3976541M1
8	3973096M1	6	SCREW



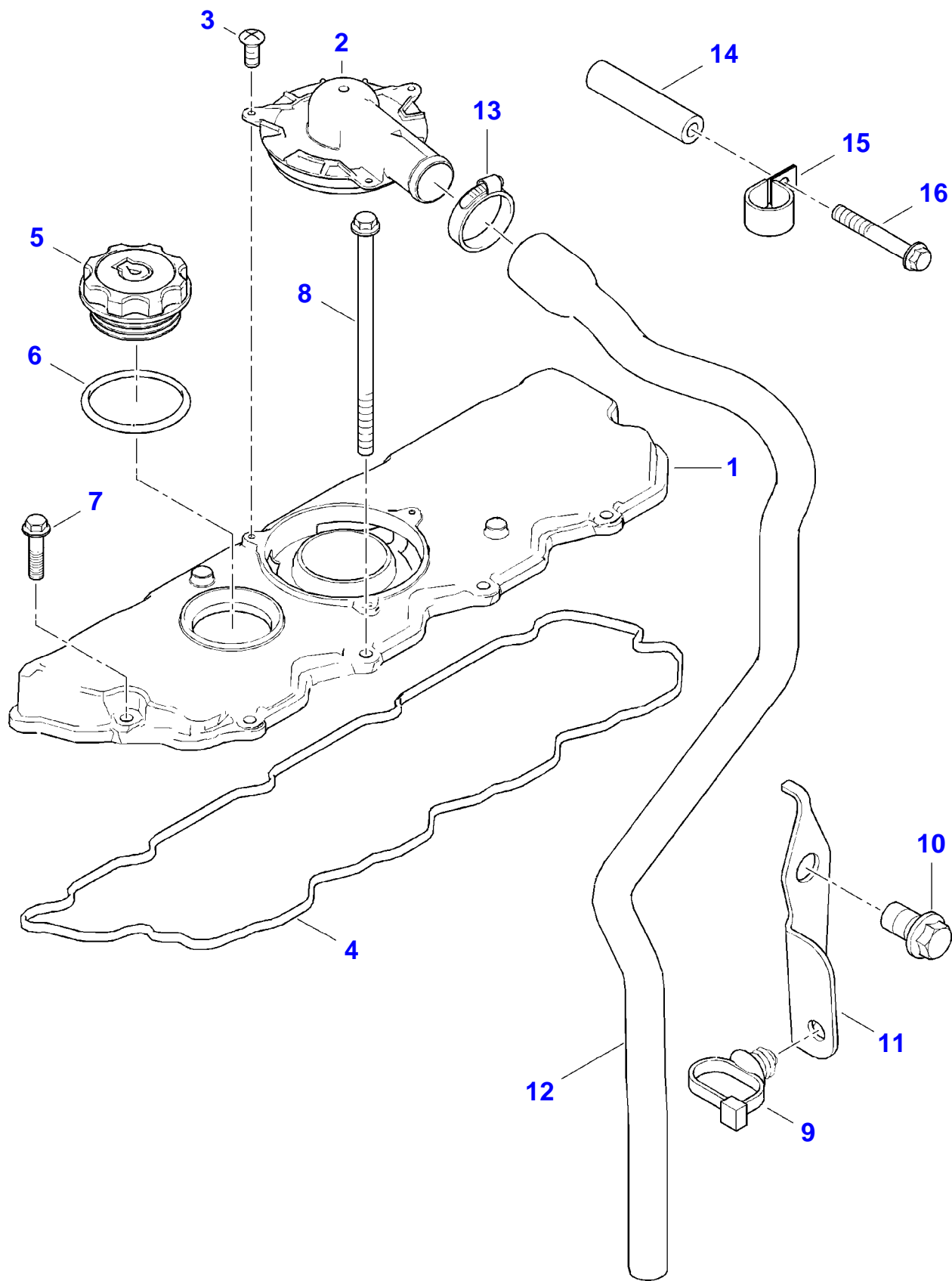
Item	Part Number	Qty	Description Comments	Technical Specification
1	3971009M1	1	INSERT	
2	4241375M1	12	TIE	
3	4241866M1	2	STRAP	
4	3970385M1	1	BOLT	
5	3975810M1	1	COMPRESSOR	
	3971030M1	1	KIT, CLUTCH	
6	3972244M1	1	CONDENSER	
7	3971557M1	1	SUPPORT	
8	3970125M1	1	V BELT	1017MM (40.04?)
9	3971324M1	1	PULLEY	
10	NS	1	NON-SERVICEABLE PART HOSE 2300 MM (90,6") ORDER ITEM 45	
11	NS	1	NON-SERVICEABLE PART HOSE 2635 MM (103,7") ORDER ITEM 45	
12	3970877M1	1	HOSE	
13	3970878M1	1	HOSE	
14	3970879M1	1	HOSE	
15	3970673M1	1	ELBOW	
16	3971260M1	1	PLATE	
17	3971551M1	1	SUPPORT	
18	3971697M1	2	WASHER	
19	3970619M1	1	COVER	
20	3976810M1	1	CLAMP SPACER PLATE REPAIRS AND REPLACES 3976409M1	
21	3971671M1	1	WASHER	
22	3971384M1	2	SCREW	
23	3970477M1	1	BUSH	
24	3972245M1	1	PLATE	
25	4241893M1	1	BOLT	
26	3970401M1	2	HEXAGON FLANGE BOLT	
27	4240905M1	4	HEXAGON FLANGE BOLT	
28	3970400M1	1	HEXAGON FLANGE BOLT	
29	3973336M1	1	SCREW	
30	3970558M1	1	CLAMP	
31	3970557M1	2	CLAMP	
32	3970563M1	2	CLAMP REPAIRS AND REPLACES 3970559M1	
33	3976834M1	3	FLAT WASHER REPAIRS AND REPLACES 3970563M1	
34	3970566M1	1	CLAMP	
35	3970567M1	1	CLAMP	
36	3970531M1	4	CLAMP REPAIRS AND REPLACES 3970532M1	
37	3971087M1	6	NUT	
38	3971083M1	4	NUT	
39	3971086M1	1	NUT	
40	4240652M1	1	RETAINER REPAIRS AND REPLACES 3971096M1	
41	3970399M1	4	HEXAGON FLANGE BOLT	
42	3970384M1	4	HEXAGON FLANGE BOLT	
43	3970386M1	3	HEXAGON FLANGE BOLT	
44	3972772M1	1	STRAP	
45	3976786M1	X	HEATER HOSE REPAIRS AND REPLACES 3972943M1 [B]	
46	3976833M1	1	SPACER PLATE [B] ORDER PER FOOT (1FT = 30.47 CM)	



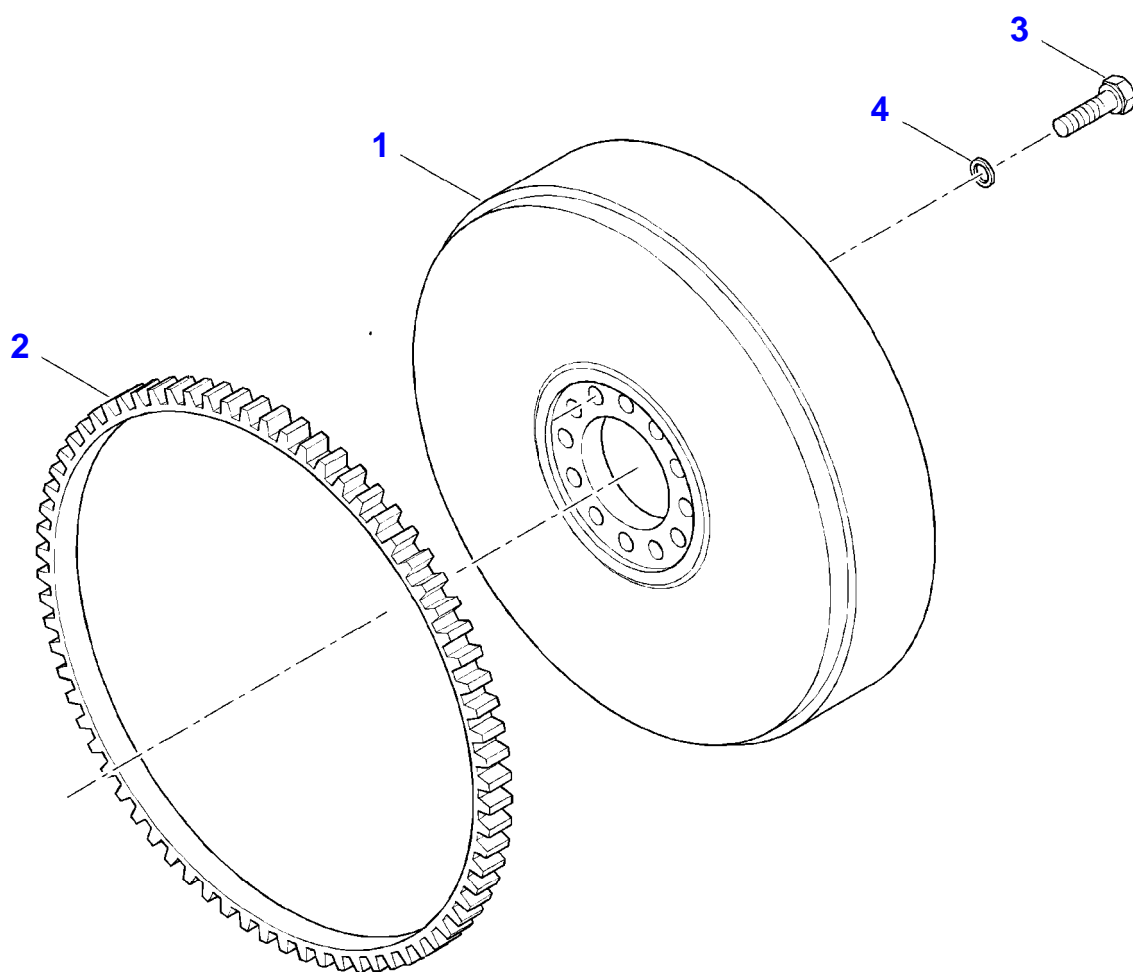
Item	Part Number	Qty	Description Comments	Technical Specification
1	3971547M1	1	SUPPORT	
2	3971569M1	6	SUSPENSION	
3	3970998M1	1	HOUSING	
4	3970605M1	1	COUPLER	
5	3970766M1	1	FLANGE	
6	3976255M1	1	ENGINE ENGINE INCLUDES ITEMS 15 - 22	130 HP
7	3971696M1	3	WASHER	
8	3971548M1	1	SUPPORT	
9	3970133M1	1	ALTERNATOR BELT	
10	3977175M1	3	NUT REPAIRS AND REPLACES 4238366M1	
11	3976017M1	6	BOLT	
12	3972958M1	12	SCREW	
13	3970387M1	8	BOLT	
14	3971387M1	3	SCREW	
15	NS	1	NON-SERVICEABLE PART SUPPORT ECU	
16	NS	4	NON-SERVICEABLE PART BOLT	
17	NS	8	NON-SERVICEABLE PART MOUNT CONTROLLER	
18	NS	4	NON-SERVICEABLE PART SPACER CONTROLLER	
19	NS	1	NON-SERVICEABLE PART ENGINE CONTROL	
20	NS	4	NON-SERVICEABLE PART FLAT WASHER	
21	NS	1	NON-SERVICEABLE PART FLAT WASHER	
22	NS	4	NON-SERVICEABLE PART BOLT FLANGE	
23		1	SUPPORT SEE PAGE 06-0002	
24	3970357M1	1	COVER	
25	3970384M1	1	HEXAGON FLANGE BOLT	
26	3971083M1	1	NUT	



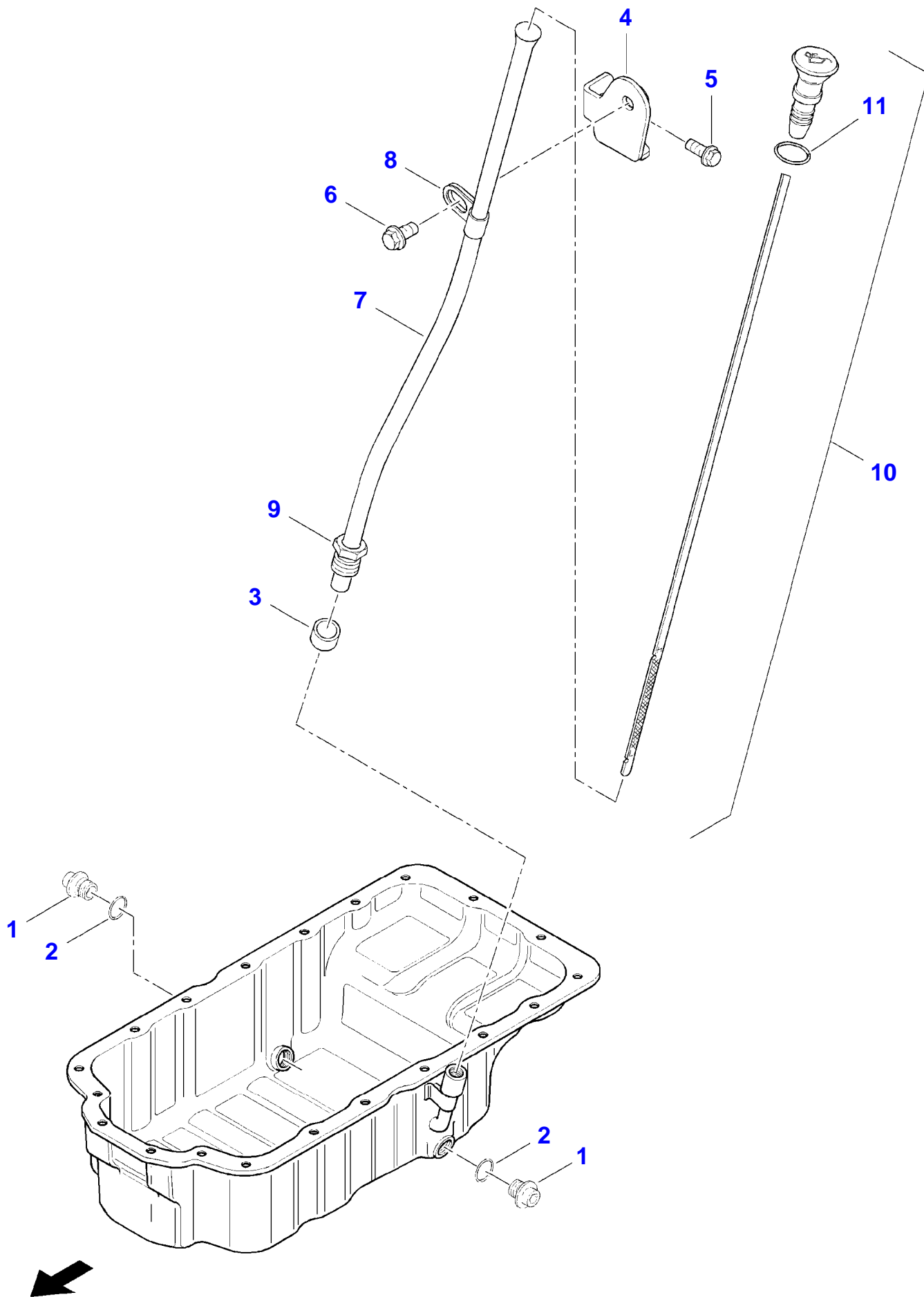
Item	Part Number	Qty	Description Comments
1	3640099M1	1	JOINT
2	3973650M1	1	MUFFLER REPAIRS AND REPLACES 3971075M1
3	3970384M1	5	HEXAGON FLANGE BOLT
4	3972597M1	1	PLATE
5	4238208M1	1	CABLE TIE
6	3970851M1	1	HOLDER
7	3970130M1	1	SENSOR AIR FILTER
8	3970681M1	1	AIR FILTER
	H117200090160	1	SAFETY CARTRIDGE INNER
	H117200090150	1	FILTER CARTRIDGE OUTER
	4235897M1	1	RING
9	3970875M1	1	HOSE
10	3972484M1	1	HOLDER
11	3972483M1	1	HOSE
12	3970382M1	2	HEXAGON FLANGE BOLT
13	3970401M1	2	HEXAGON FLANGE BOLT
14	3970535M1	1	CLAMP
15	3970537M1	2	CLAMP
16	3971087M1	2	NUT
17		1	EXHAUST
18		1	TURBOCHARGER SEE PAGE 01-0013
19		1	FRAME ENGINE SEE PAGE 02-0003



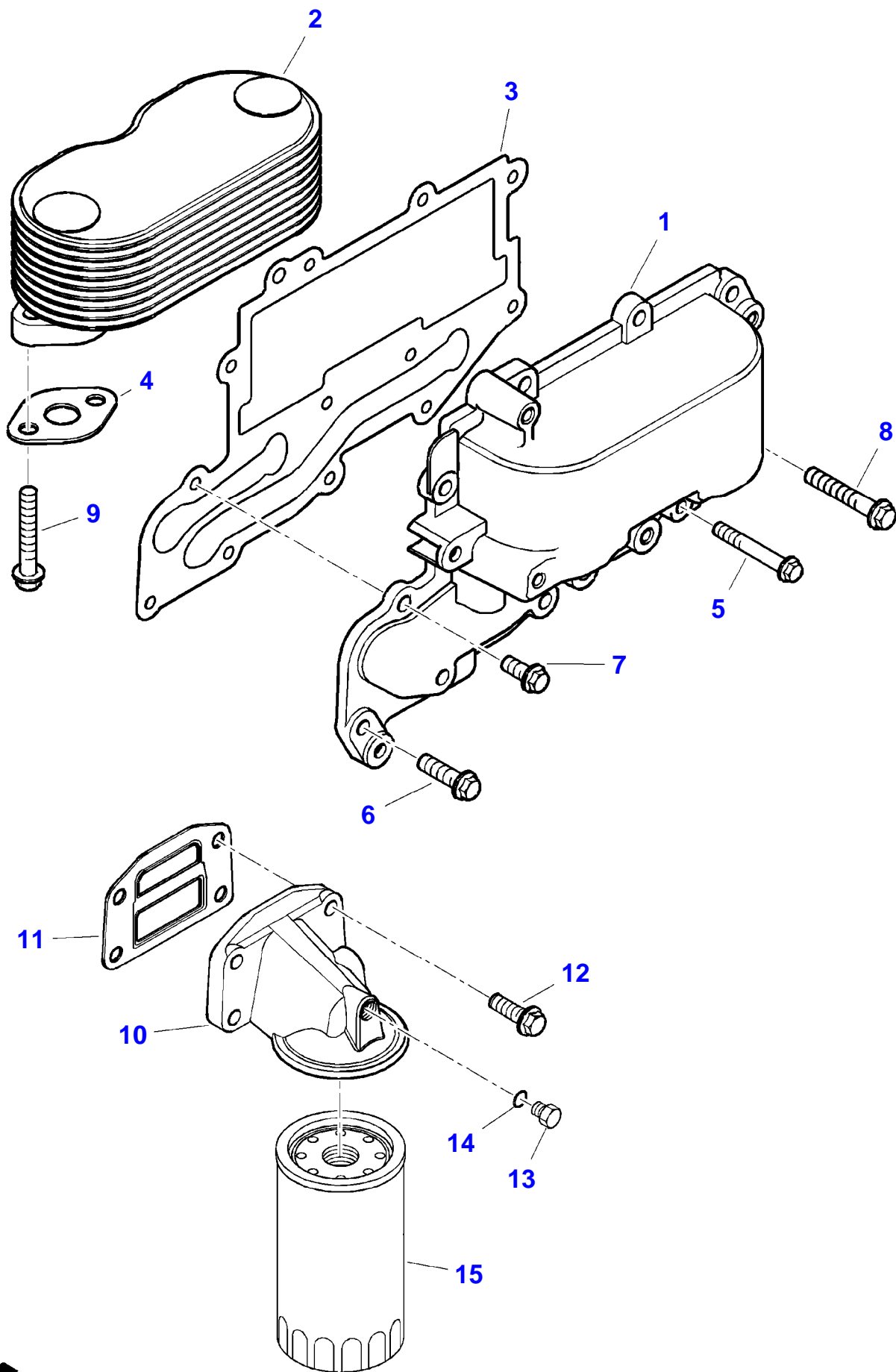
Item	Part Number	Qty	Description Comments	Technical Specification
1	3976505M1	1	COVER	
2	3976506M1	1	CAP	
3	3976507M1	3	SCREW	
4	3976508M1	1	GASKET	
5	3976509M1	1	CAP INCLUDES ITEMS 6	
6	4236790M1	1	O RING	
7	3637110M1	7	HEXAGON FLANGE BOLT	M8 X 35
8	4222634M1	4	HEXAGON FLANGE BOLT	
9	3976510M1	1	STRAP	
10	3637139M1	1	HEXAGON FLANGE BOLT	M10 X 20
11	3976511M1	1	BRACKET	
12	3976512M1	1	HOSE	
13	3976513M1	1	CLAMP	
14	3976514M1	1	SPACER	
15	3976515M1	1	CLIP	
16	3976526M1	1	BOLT	



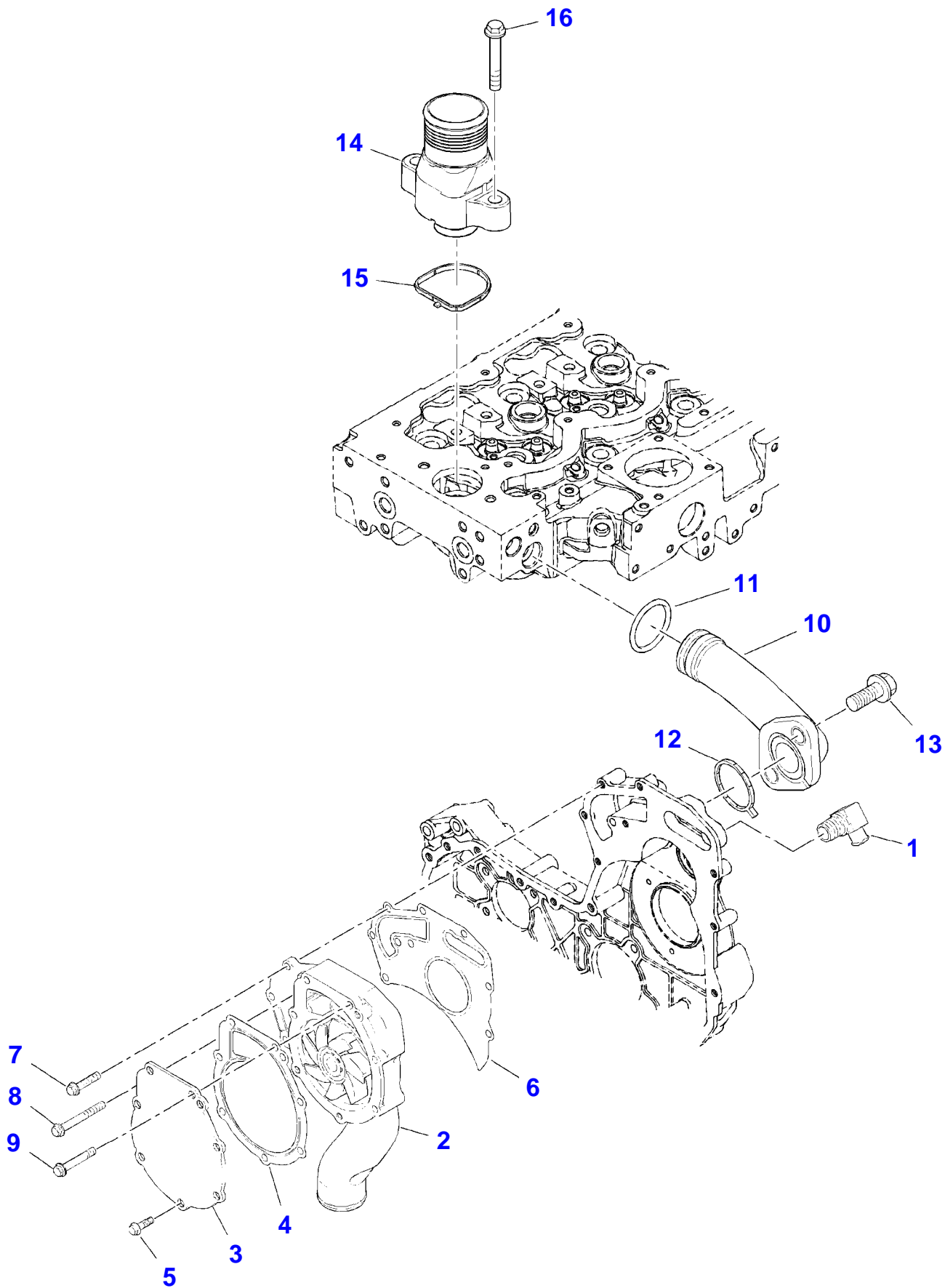
Item	Part Number	Qty	Description Comments
1	4222383M91	1	FLYWHEEL INCLUDES ITEM 2
2	4238206M1	1	PINION
3	3976527M1	10	SCREW
4	745365M1	10	WASHER



Item	Part Number	Qty	Description Comments	Technical Specification
1	748160M1	2	DRAIN PLUG	
2	3976516M1	2	SEAL	
3	739562M1	1	OLIVE	
4	3976517M1	1	BRACKET	
5	4238388M1	1	SCREW	
6	3637044M1	1	HEXAGON FLANGE BOLT	M8 X 16
7	3976518M1	1	TUBE INCLUDES ITEMS 8-9	
8	3640805M1	1	CLIP	
9	3973249M1	1	NUT	
10	3976519M1	1	DIPSTICK INCLUDES ITEMS 11	
11	3976520M1	1	SEAL	



Item	Part Number	Qty	Description Comments	Technical Specification
1	4227082M1	1	OIL COOLER INCLUDES ITEMS 2-9	
2	4226573M1	1	OIL COOLER	
3	4226921M1	1	JOINT	
4	4226568M1	2	JOINT	
5	3972637M1	2	SCREW	
	3637216M1	2	HEXAGON FLANGE BOLT REPAIRS AND REPLACES 3972637M1	M8 X 75
6	3972626M1	7	SCREW	
7	4238212M1	2	HEXAGON FLANGE BOLT	
8	3972509M1	1	SCREW	
9	NS	4	NON-SERVICEABLE PART BOLT	
10	4225401M1	1	FILTER HEAD	
11	4236888M1	1	GASKET	
12	3972621M1	4	SCREW	
13	4236848M1	1	PLUG	
14	4236794M1	1	O RING	
15	1447031M2	1	OIL FILTER	





Suggest:

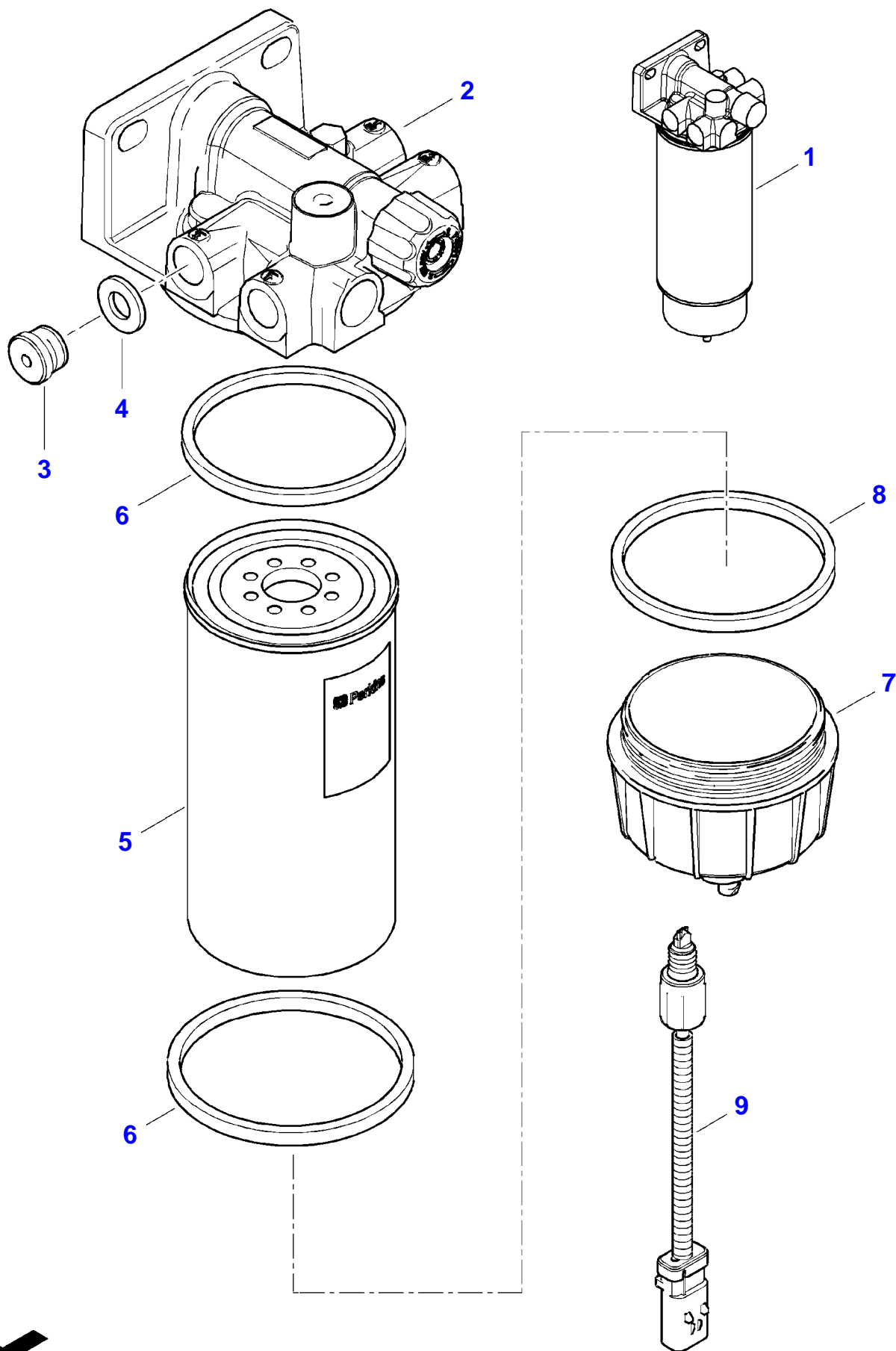
For more complete manuals. Please go to the home page.

<https://www.ebooklibonline.com>

If the above button click is invalid. Please download this document first, and then click the above link to download the complete manual.

Thank you so much for reading

Item	Part Number	Qty	Description Comments
1		1	NOT USED
2	4226951M91	1	WATER PUMP INCLUDES ITEMS 3-6
3	NS	1	NON-SERVICEABLE PART COVER
4	4227150M1	1	JOINT
5	3972650M1	3	SCREW
6	4236879M1	1	GASKET
7	3972623M1	2	SCREW
8	4236784M1	2	BOLT
9	4233376M1	5	SCREW
10	4226419M91	1	CONNECTION INCLUDES ITEMS 11-12
11	4236797M1	1	O RING
12	4226398M1	1	GASKET
13	4238212M1	2	HEXAGON FLANGE BOLT
14	3975112M1	1	THERMOSTAT
15	4226381M1	1	SEAL
16	3972510M1	2	SCREW



<https://www.ebooklibonline.com>

Hello dear friend!

Thank you very much for reading.

Enter the link into your browser.

The full manual is available for immediate download.

<https://www.ebooklibonline.com>