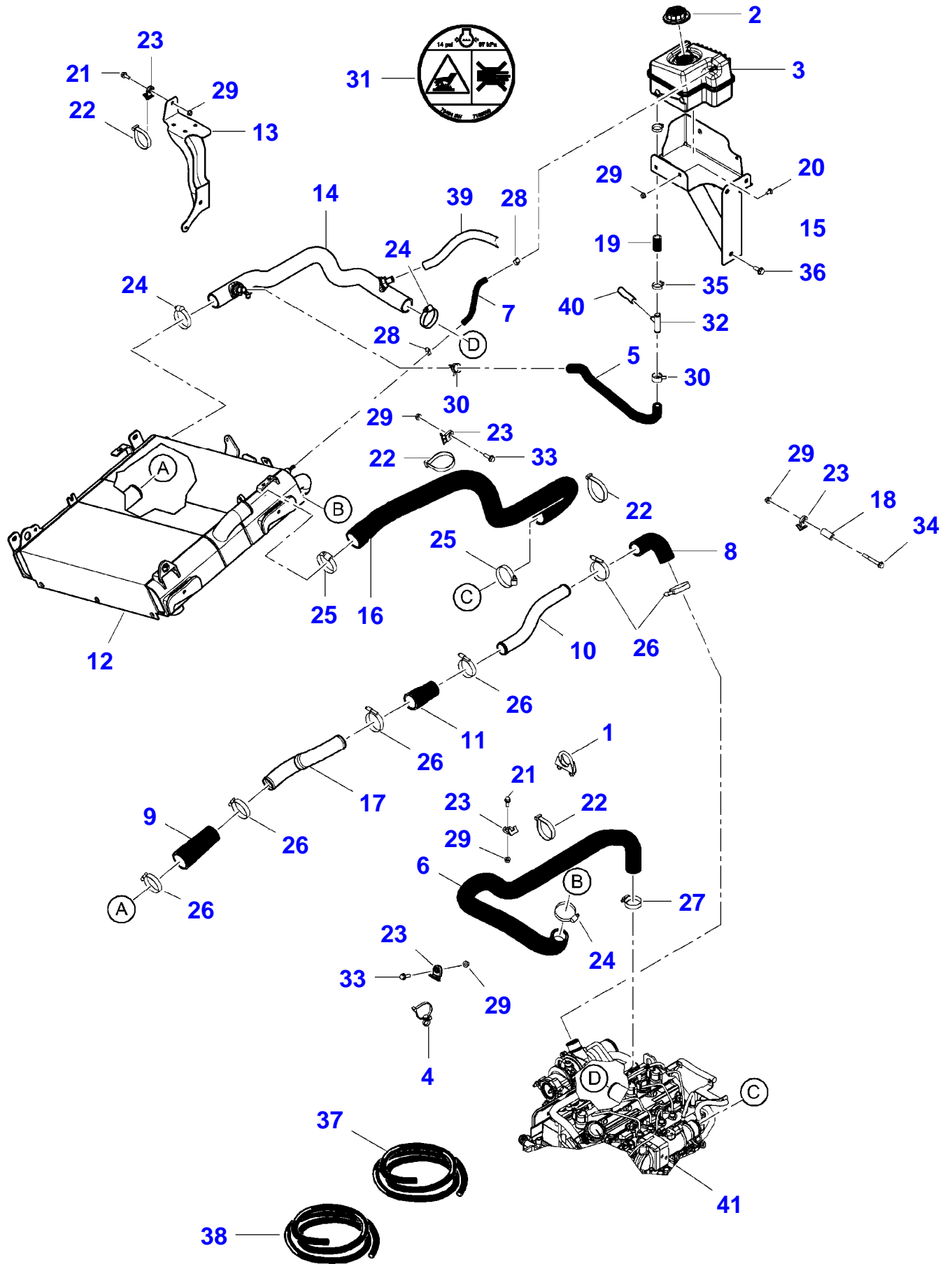


Page Number	Page Title	Page Reference
01-000-TOC	ENGINE, FUEL AND EXHAUST SYSTEM	01-000-TOC
02-000-TOC	FRAME AND SUSPENSION	02-000-TOC
03-000-TOC	STEERING SYSTEM	03-000-TOC
04-000-TOC	DRIVE TRAIN SYSTEM	04-000-TOC
05-000-TOC	HYDRAULIC SYSTEM	05-000-TOC
06-000-TOC	ELECTRICAL SYSTEM	06-000-TOC
07-000-TOC	CAB	07-000-TOC
08-000-TOC	CHASSIS	08-000-TOC
09-000-TOC	DECALS	09-000-TOC
10-000-TOC	WHEELS	10-000-TOC
11-000-TOC	ARTICULATING ARM	11-000-TOC
12-000-TOC	HITCH	12-000-TOC
13-000-TOC	HYDROSTATIC SYSTEM	13-000-TOC
14-000-TOC	ATTACHMENTS	14-000-TOC
15-000-TOC	GENERAL INFORMATION	15-000-TOC

Page Number	Page Title	Page Reference
01-0001	COOLING SYSTEM S/N B4DW11001 - B4DW11026	2256322
01-0002	AIR INTAKE	2253219
01-0003	EXHAUST SYSTEM	2253224
01-0004	SCR SYSTEM - HOUSING	2280256
01-0005	SCR SYSTEM - PLUMBING	2253225
01-0006	SCR SYSTEM - PUMP	2253211
01-0007	SCR SYSTEM - TANK	2280257
01-0008	ENGINE	2253222
01-0009	ENGINE AND EQUIPMENT - RADIATOR & ATTACHMENTS	2253508
01-0010	ENGINE AUXILIARY EQUIPMENT	2253223
01-0011	FLYWHEEL HOUSING	2253215
01-0012	FLYWHEEL	2253216
01-0013	CYLINDER BLOCK	2253231
01-0014	CYLINDER HEAD	2253230
01-0015	ROCKER ARM COVER	2253212
01-0016	VALVES AND ROCKER SHAFT	2253203
01-0017	CAMSHAFT	2253205
01-0018	PISTON	2253204
01-0019	OIL PAN & SEAL	2253213
01-0020	OIL PUMP	2253214
01-0021	OIL COOLER & FILTER	2253218
01-0022	WATER PUMP	2253207
01-0023	THERMOSTAT	2253206
01-0024	INTAKE AIR HEATER	2253220
01-0025	INTAKE MANIFOLD	2253208
01-0026	EXHAUST MANIFOLD	2253217
01-0027	TURBOCHARGER	2253221
01-0028	EGR & EGR COOLER	2253209
01-0029	INJECTION PUMP	2253210
01-0030	FUEL RAIL & INJECTORS - RAIL	2279933
01-0031	AIR CLEANER	2253232
01-0032	COOLING SYSTEM S/N B4DW11027 & ABOVE B4DZ11001 & ABOVE	2280258
01-0033	COOLING SYSTEM - AIR INTAKE S/N B4DW11001 - B4DW11026	2280259
01-0034	FUEL SYSTEM - FUEL TANK	2282408
01-0035	ENGINE & EQUIPMENT - FUEL LINE & FILTER	2282601



<https://www.ebooklibonline.com>

Hello dear friend!

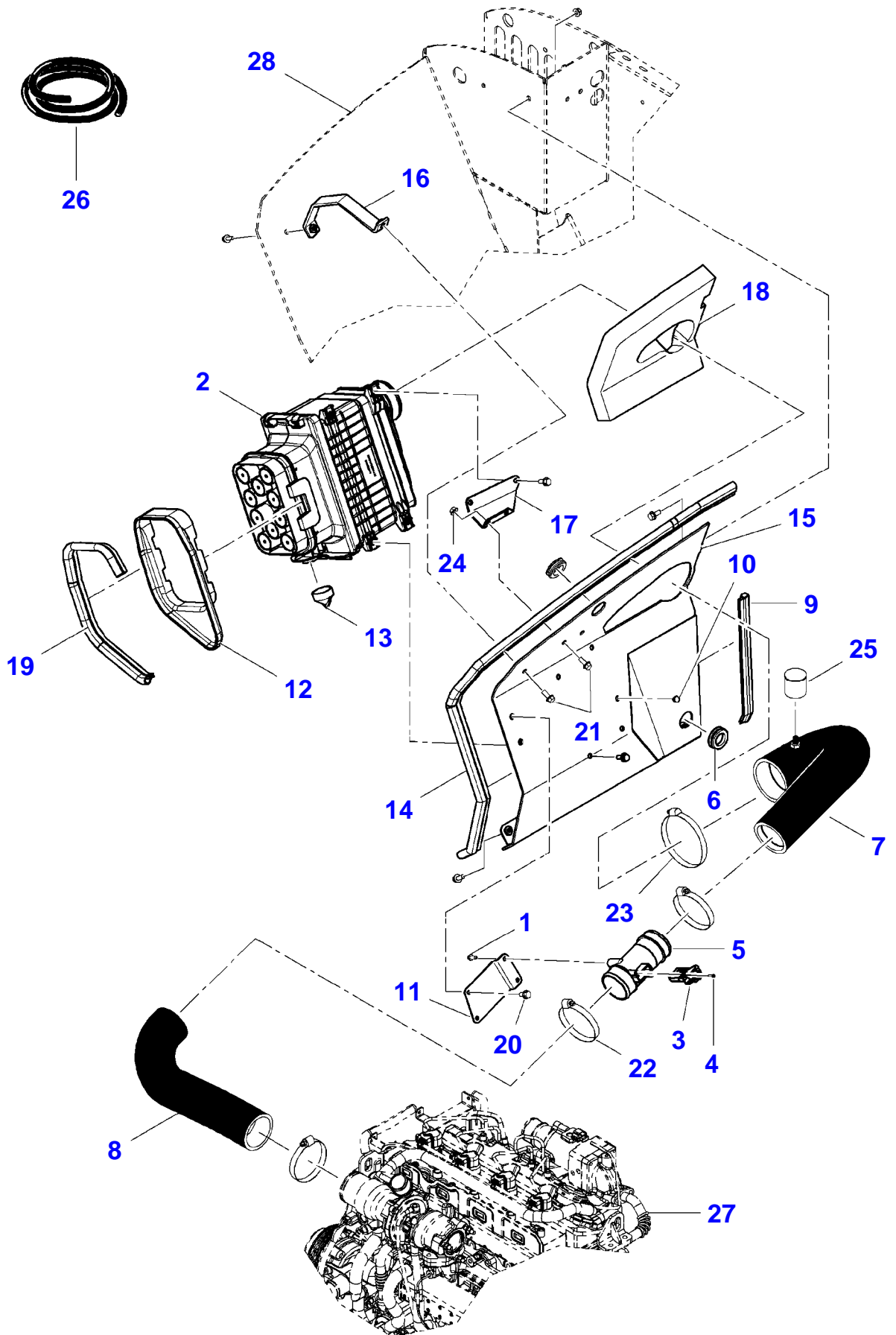
Thank you very much for reading.

Enter the link into your browser.

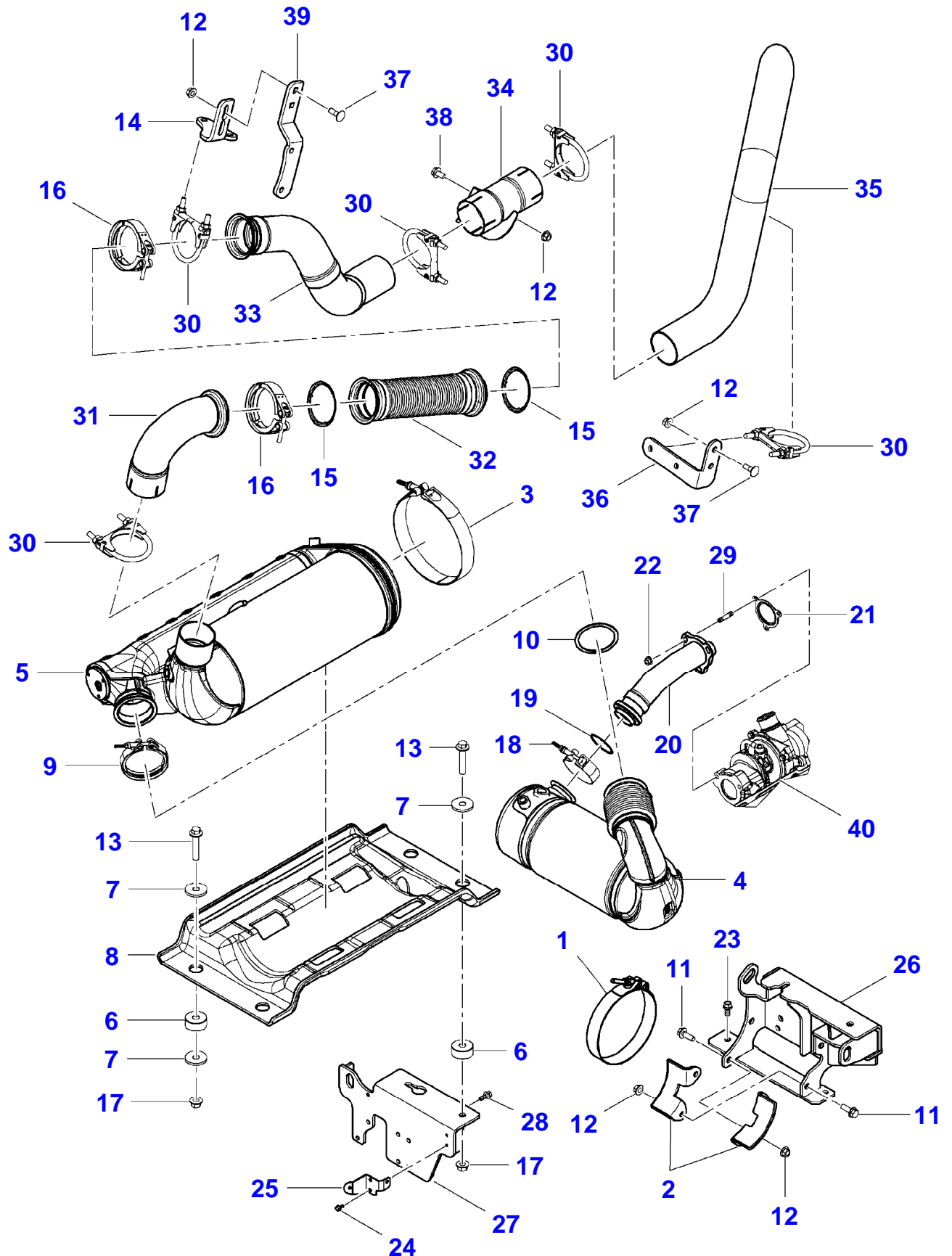
The full manual is available for immediate download.

<https://www.ebooklibonline.com>

Item	Part Number	Qty	Description Comments
S/N B4DW11001 - B4DW11026			
1	3976079M1	1	CLAMP
2	3970087M1	1	CAP COMPLETE ASSEMBLY INCLUDES ITEMS 31
3	3973110M1	1	EXPANSION TANK
4	3972772M1	1	STRAP
5	3975850M1	1	HOSE
6	3975417M1	1	HOSE
7	NS	1	NON-SERVICEABLE PART HOSE 152 MM (5.98") ORDER ITEM 37
8	3976032M1	1	ELBOW
9	3976033M1	1	HOSE
10	3975420M1	1	TUBE
11	3976034M1	1	HOSE
12		1	EXCHANGER SEE PAGE 01-0009
13	3976077M1	1	BRACKET
14	3975758M1	1	HOSE
15	3976233M1	1	HOLDER
16	3976459M1	1	HOSE HOSE SEE PAGE 01-0033
17	3976458M1	1	TUBE
18	3976038M1	1	SPACER
19	NS	1	NON-SERVICEABLE PART HOSE 42,0MM (1.65") ORDER ITEM 38
20	3970381M1	2	BOLT
21	4240905M1	4	HEXAGON FLANGE BOLT
22	4241866M1	4	STRAP
23	4241379M1	5	BRACKET
24	3973585M1	3	CLAMP
25	3970533M1	2	CLAMP
26	3970538M1	6	CLAMP
27	3976027M1	1	CLAMP
28	3973101M1	2	CLAMP
29	3971096M1	14	NUT
30	3970546M1	2	CLAMP
31	3971728M1	1	DECAL
32	3975795M1	1	FITTING
33	3970400M1	2	HEXAGON FLANGE BOLT
34	3970406M1	1	BOLT
35	3970532M1	2	CLAMP
36	3970382M1	3	HEXAGON FLANGE BOLT
37	3971741M1	X	HOSE ORDER PER FOOT (1FT = 30.47 CM)
38	3972943M1	1	HOSE ORDER PER FOOT (1FT = 30.47 CM)
39		1	HOSE ORDER PER FOOT (1FT = 30.47 CM) SEE PAGE 07-0014
40		1	HOSE ORDER PER FOOT (1FT = 30.47 CM) SEE PAGE 01-0005
41		1	ENGINE SEE PAGE 01-0008

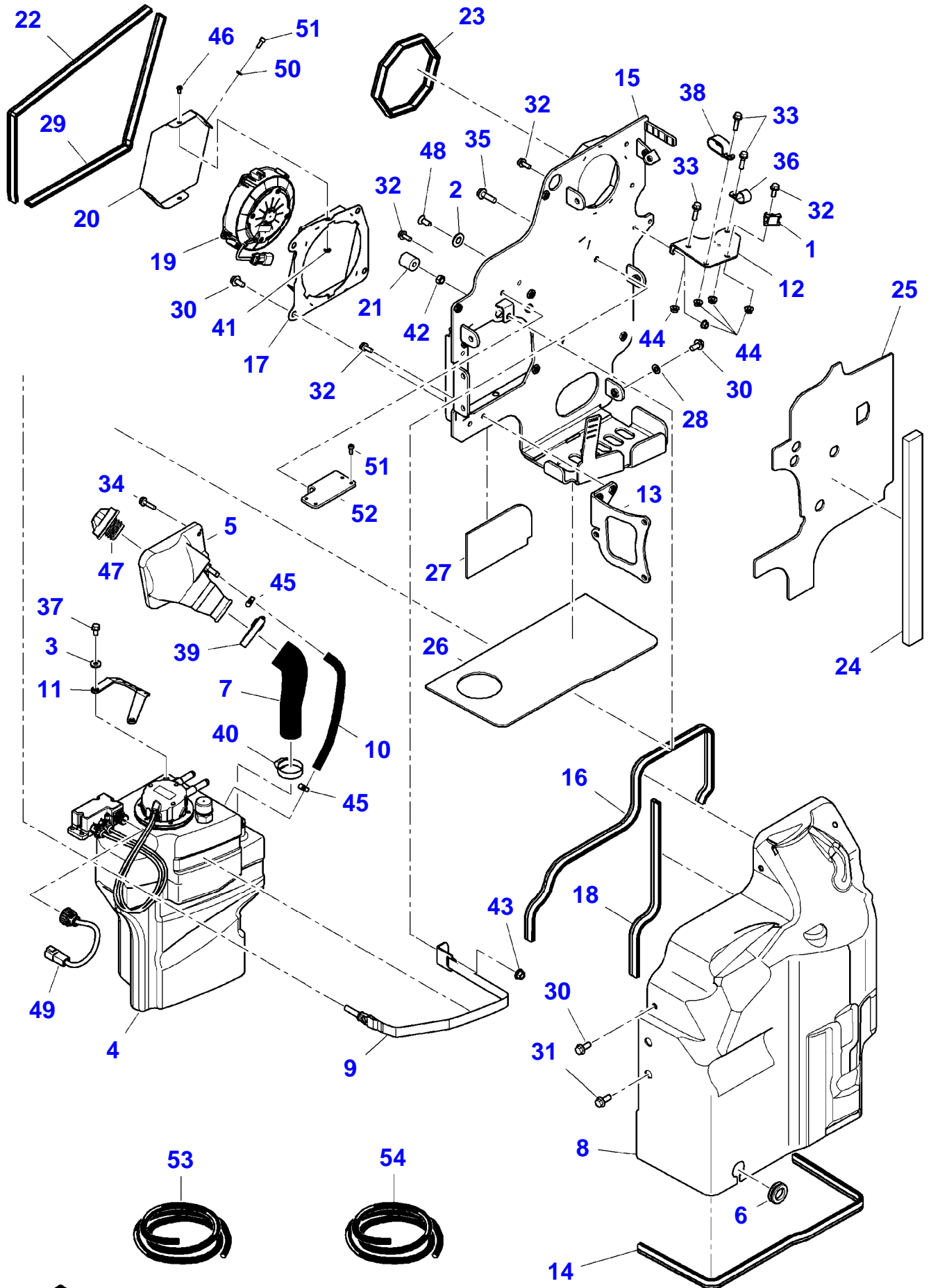


Item	Part Number	Qty	Description Comments
1	3971403M1	2	SCREW
2	3975435M1	1	AIR FILTER SEE PAGE 01-0031
3	3975579M1	1	SENSOR MASS AIR FLOW SENSOR (MAF)
4	3975581M1	2	SCREW
5	3975582M1	1	HOUSING
6	3973945M1	2	GROMMET
7	3976046M1	1	HOSE
8	3975289M1	1	HOSE
9	NS	1	NON-SERVICEABLE PART 320MM (12.6") ORDER ITEM 26 SEAL
10	3976204M1	4	DECAL
11	3975793M1	1	PLATE
12	3975806M1	1	BOOT
13	3975276M1	1	ELEMENT,AIR FILTER
14	NS	1	NON-SERVICEABLE PART 1250MM (49.2") ORDER ITEM 26 SEAL
15	3975974M1	1	PLATE
16	3975975M1	1	PLATE
17	3975837M1	1	SUPPORT
18	3975976M1	1	FOAM
19	NS	1	NON-SERVICEABLE PART 570MM (22.4") ORDER ITEM 26 SEAL
20	3970399M1	2	HEXAGON FLANGE BOLT
21	4240905M1	11	HEXAGON FLANGE BOLT
22	3970536M1	3	CLAMP
23	3975977M1	1	CLAMP
24	3971096M1	3	NUT
25	3970130M1	1	SENSOR AIR FILTER
26	3970779M1	X	GASKET ORDER PER FOOT (1FT = 30.47 CM)
27		1	ENGINE SEE PAGE 01-0008
28		1	BASKET SEE PAGE 08-0002



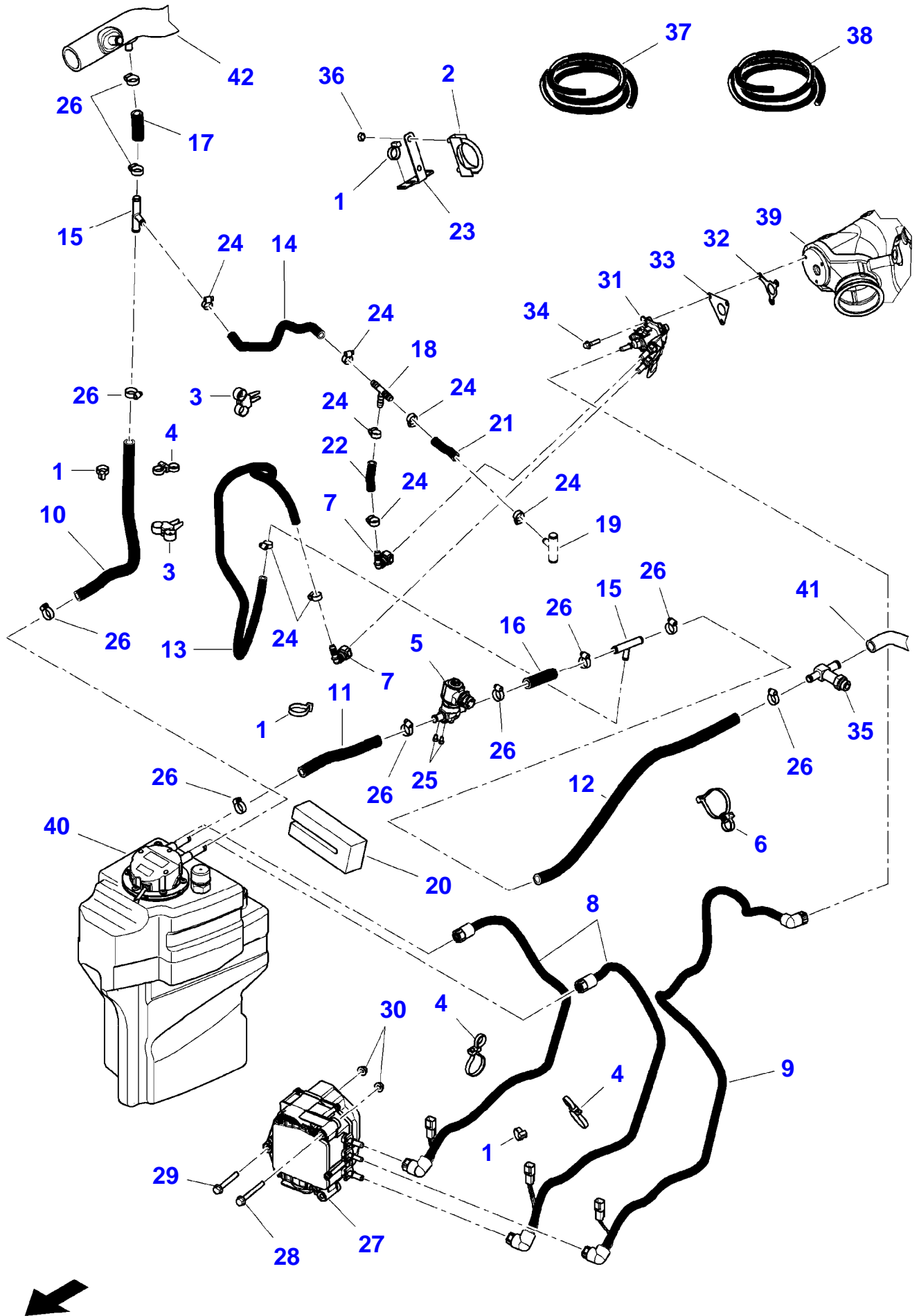
EXHAUST SYSTEM

Item	Part Number	Qty	Description Comments
1	3975574M1	2	CLAMP
2	3975578M1	2	MOUNT
3	3976018M1	2	CLAMP
4	3975775M1	1	MUFFLER DIESEL OXIDATION CATALYST INCLUDES ITEMS 18-20
5	3975344M1	1	SELECTOR
6	3975773M1	4	SPACER
7	3975343M1	6	WASHER
8	3975605M1	1	MOUNT
9	3975606M1	1	CLAMP
10	3975607M1	1	GASKET
11	3970384M1	4	HEXAGON FLANGE BOLT
12	3971093M1	10	NUT
13	3976478M1	4	BOLT
14	3976174M1	1	PLATE
15	3972964M1	2	GASKET
16	3973657M1	2	EXHAUST
17	3971094M1	4	NUT
18	NS	1	NON-SERVICEABLE PART CLAMP
19	NS	1	NON-SERVICEABLE PART (4) GASKET
20	NS	1	NON-SERVICEABLE PART PIPE ORDER ITEM 4
21	3975226M1	1	GASKET (4)
22	3975545M1	3	NUT
23	3975525M1	8	BOLT
24	3975510M1	2	BOLT
25	3975628M1	1	BRACKET
26	3975907M1	1	BRACKET
27	3975908M1	1	BRACKET
28	3975504M1	6	BOLT
29	3975650M1	3	STUDS
30	3975800M1	5	CLAMP
31	3975319M1	1	TUBE
32	3976479M1	1	EXHAUST PIPE
33	3975318M1	1	TUBE
34	3975316M1	1	TUBE
35	3975979M1	1	PIPE
36	3976164M1	1	SUPPORT
37	3975396M1	4	BOLT
38	3970382M1	2	HEXAGON FLANGE BOLT
39	3976173M1	1	PLATE
40		1	TURBOCHARGER SEE PAGE 01-0027



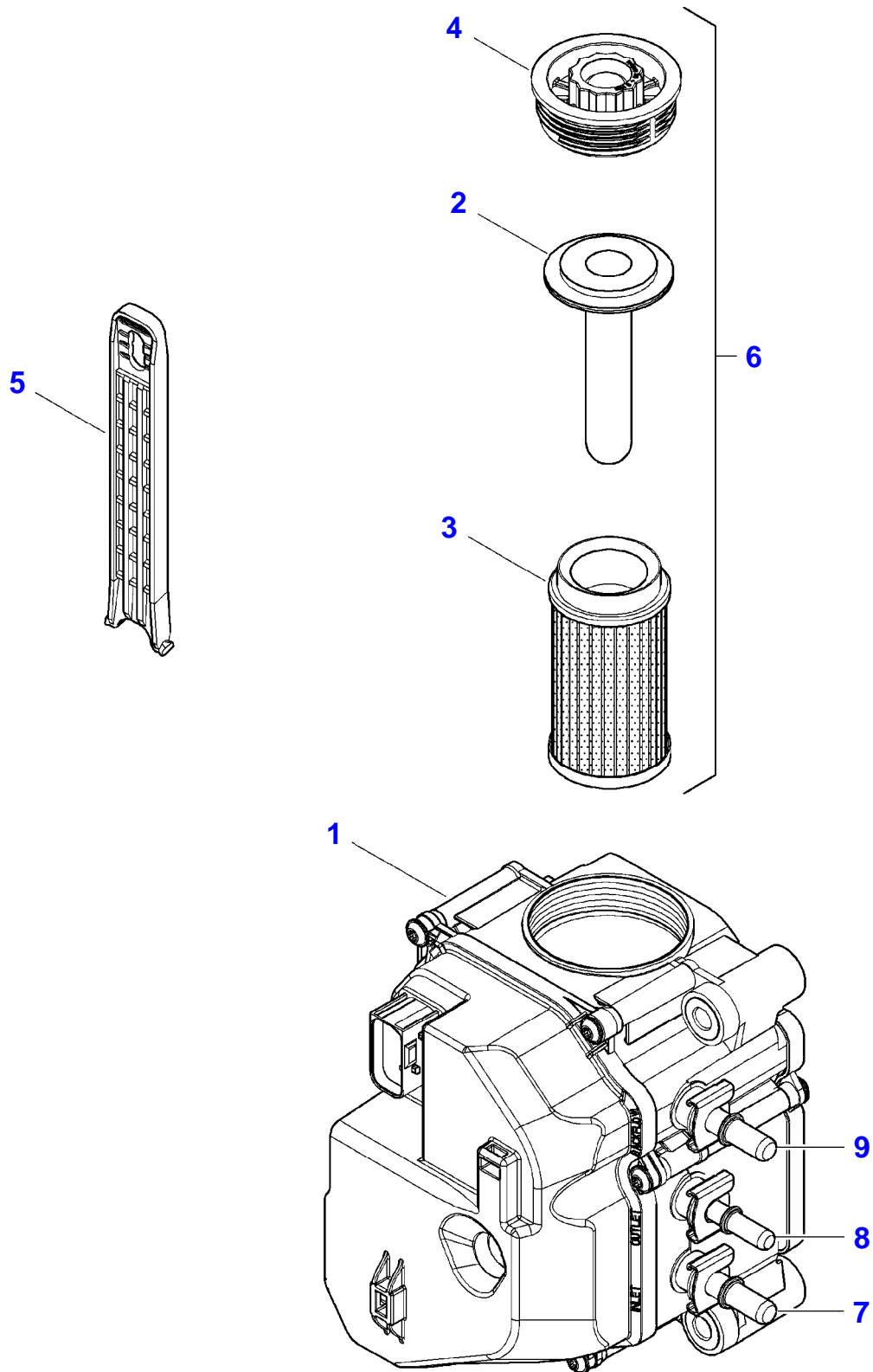
Item	Part Number	Qty	Description Comments
1	4241376M1	1	BRACKET
2	3976723M1	1	WASHER
3	3972948M1	2	WASHER
4	3976724M1	1	TANK
			SEE PAGE 01-0007
5	3976019M1	1	TRAY INCLUDES ITEM 47
6	3973945M1	1	GROMMET
7	3975347M1	1	HOSE
8	3976725M1	1	COVER
9	3975733M1	1	STRAP INCLUDES ITEMS 42
10	NS	1	NON-SERVICEABLE PART 310 MM (12.2") ORDER ITEM 53
11	3976178M1	1	SUPPORT
12	3976176M1	1	PLATE
13	3975764M1	1	SUPPORT
14	NS	1	NON-SERVICEABLE PART 855 MM (33.6") ORDER ITEM 54
15	3976726M1	1	SUPPORT
16	NS	1	NON-SERVICEABLE PART 940 MM (37.0") ORDER ITEM 54
17	3976180M1	1	SUPPORT
18	NS	1	NON-SERVICEABLE PART 480 MM (18.9") ORDER ITEM 54
19	3975366M1	1	FAN
20	3976169M1	1	FAN
21	3975820M1	1	FOAM
22	NS	2	NON-SERVICEABLE PART 630 MM (24.8") ORDER ITEM 54
23	NS	1	NON-SERVICEABLE PART 540 MM (21.3") ORDER ITEM 54
24	3976025M1	1	FOAM
25	3976727M1	1	INSULATION
26	3975847M1	1	INSULATION
27	3975884M1	1	INSULATION
28	3971671M1	2	WASHER
29	NS	1	NON-SERVICEABLE PART 600 MM (23.6") ORDER ITEM 54
30	3970382M1	10	HEXAGON FLANGE BOLT
31	3970383M1	2	HEXAGON FLANGE BOLT
32	4240905M1	9	HEXAGON FLANGE BOLT
33	3970400M1	3	HEXAGON FLANGE BOLT
34	3976026M1	2	BOLT
35	3971383M1	1	SCREW
36	4241957M1	1	CLAMP
37	3975982M1	2	BOLT
38	4241924M1	1	CLAMP
39	3970533M1	1	CLAMP
40	3976027M1	1	CLAMP
41	3976028M1	4	NUT
42	NS	1	NON-SERVICEABLE PART NUT
43	3971093M1	1	NUT
44	3971096M1	6	NUT
45	3973101M1	2	CLAMP
46	3971381M1	3	SCREW
47	3976029M1	1	CAP
48	3976728M1	1	SCREW
49		1	HARNES JUMPER SEE PAGE 06-0012

Item	Part Number	Qty	Description Comments
50	3971676M1	2	WASHER
51	3970420M1	5	BOLT
52	3976729M1	1	SUPPORT
53	3975589M1	X	HOSE ORDER PER FOOT (1FT = 30.47 CM)
54	3975434M1	X	GASKET ORDER PER FOOT (1FT = 30.47 CM)

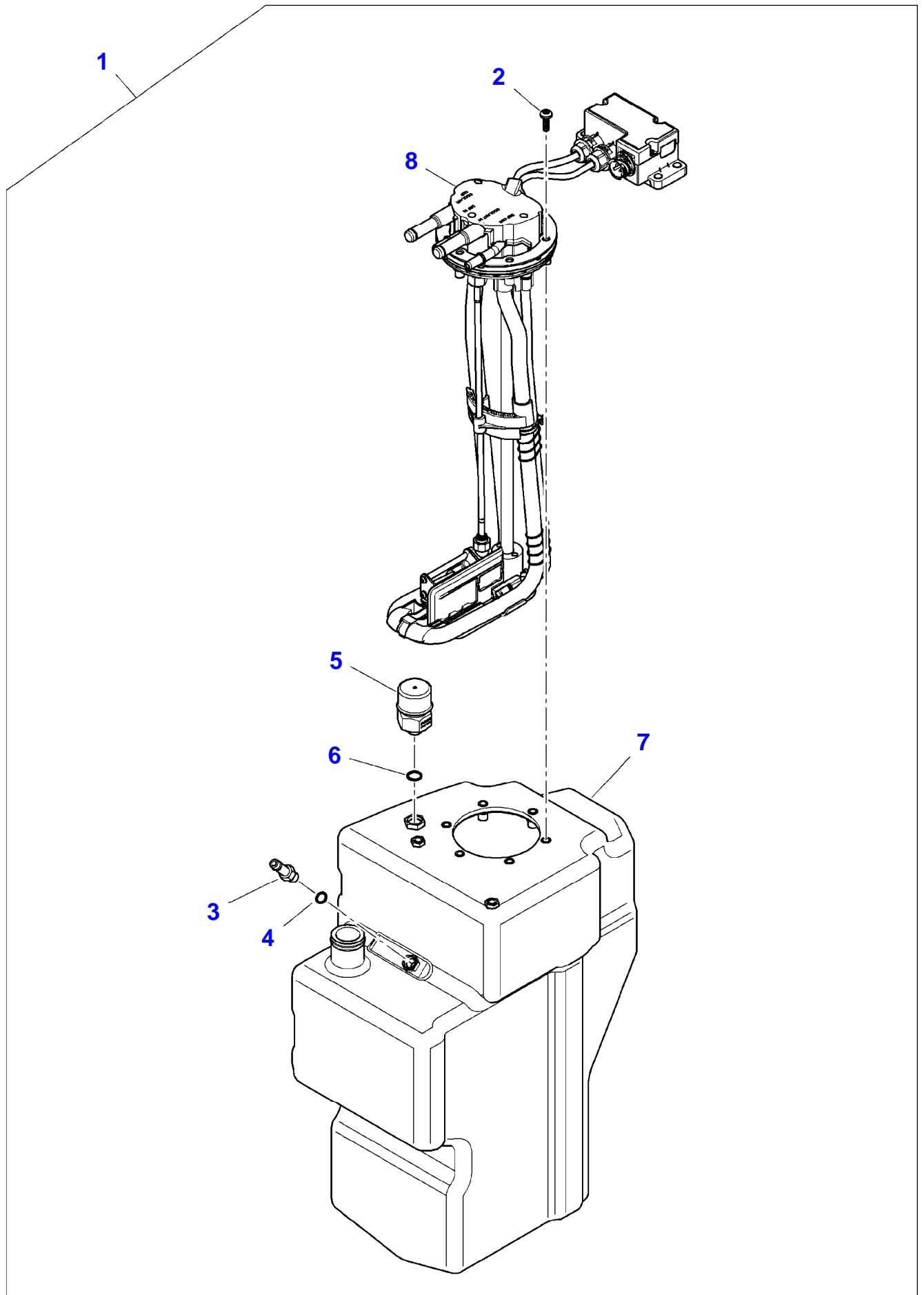


Item	Part Number	Qty	Description Comments
1	4238208M1	8	CABLE TIE
2	3976030M1	1	CLAMP
3	4241375M1	5	TIE
4	3972580M1	4	STRAP
5	3975575M1	1	VALVE
6	3972772M1	1	STRAP
7	3973927M1	2	FITTING
8	3975348M1	2	HOSE
9	3975349M1	1	HOSE
10	NS	1	NON-SERVICEABLE PART HOSE 500 MM (19.68") ORDER ITEM 37
11	NS	1	NON-SERVICEABLE PART HOSE 270 MM (10.63") ORDER ITEM 37
12	NS	1	NON-SERVICEABLE PART HOSE 535 MM (21.06") ORDER ITEM 37
13	NS	1	NON-SERVICEABLE PART HOSE 1020 MM (40.16") ORDER ITEM 38
14	NS	1	NON-SERVICEABLE PART HOSE 400MM (15.7") ORDER ITEM 38
15	3975739M1	2	FITTING
16	NS	1	NON-SERVICEABLE PART HOSE 72,0MM (3.0") ORDER ITEM 37
17	NS	1	NON-SERVICEABLE PART HOSE 55,0 MM (2.16") ORDER ITEM 37
18	3976165M1	1	TEE
19	NS	1	NON-SERVICEABLE PART FITTING SEE PAGE 01-0032
20	3976031M1	1	FOAM
21	NS	1	NON-SERVICEABLE PART HOSE 120 MM (4.7") ORDER ITEM 38
22	NS	1	NON-SERVICEABLE PART HOSE 60 MM (2.3") ORDER ITEM 38
23	3976172M1	1	PLATE
24	3973101M1	8	CLAMP
25	3975984M1	2	SCREW
26	3973102M1	10	CLAMP
27	3975571M1	1	PUMP SEE PAGE 01-0029
28	3970406M1	1	BOLT
29	3970405M1	2	HEXAGON FLANGE BOLT
30	3971096M1	3	NUT
31	3975596M1	1	MODULE
	3975680M1		GASKET
32	3975608M1	1	GASKET
33	3975609M1	1	SHIELD
34	3975949M1	3	BOLT
35	3975740M1	1	FITTING
	4240785M1		O RING
36	NS	2	NON-SERVICEABLE PART NUT
37	3975449M1	X	HOSE ORDER PER FOOT (1FT = 30.47 CM)

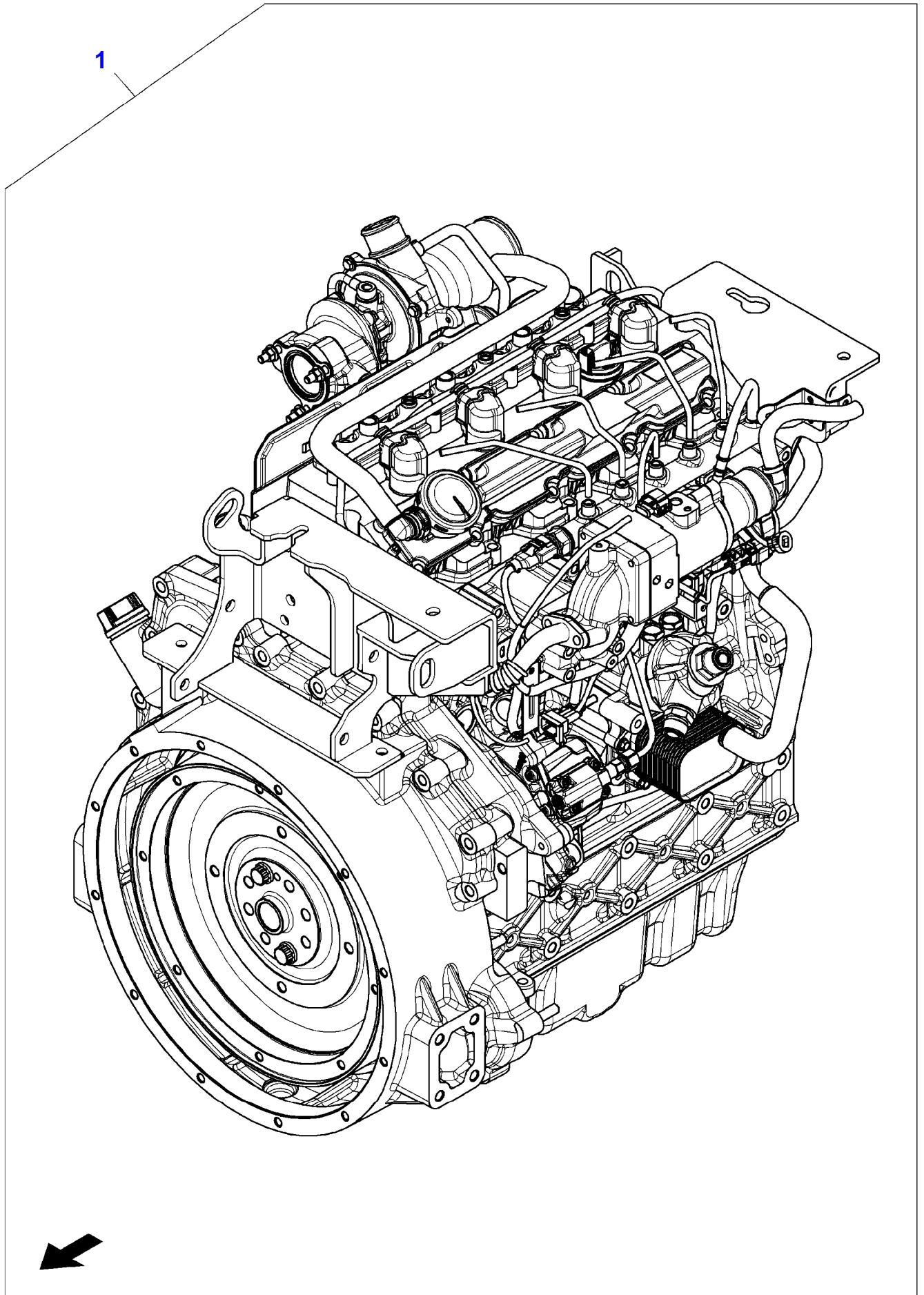
Item	Part Number	Qty	Description Comments
38	3975589M1		HOSE
39		1	ENGINE SEE PAGE 01-0003
40	3975265M1	1	TANK SEE PAGE 01-0007
41		1	HOSE SEE PAGE 07-0014
42		1	HOSE SEE PAGE 01-0032



Item	Part Number	Qty	Description Comments
1	3975571M1	1	PUMP INCLUDES ITEMS 2-4 & 7-9
2	NS	1	NON-SERVICEABLE PART ORDER ITEM 6
3	NS	1	NON-SERVICEABLE PART FILTER ORDER ITEM 6
4	NS	1	NON-SERVICEABLE PART CAP ORDER ITEM 6
5	NS	1	NON-SERVICEABLE PART TOOL ORDER ITEM 6
6	3976352M1	1	KIT, FILTER INCLUDES ITEMS 2-5
7	3976717M1	1	KIT, SERVICE INLET
8	3976718M1	1	KIT, SERVICE OUTLET
9	3976719M1	1	KIT, SERVICE BACKFLOW



Item	Part Number	Qty	Description Comments	Technical Specification
1	3976724M1	1	TANK INCLUDES ITEMS 2-8	
2	3975612M1	6	SCREW	
3	3975613M1	1	FITTING	
4	3975614M1	1	O RING	
5	3975616M1	1	BREATHER	
6	3975615M1	1	O RING	
7	3976730M1	1	TANK	
8	3976567M1	1	SENSOR	AWS



Massey Ferguson

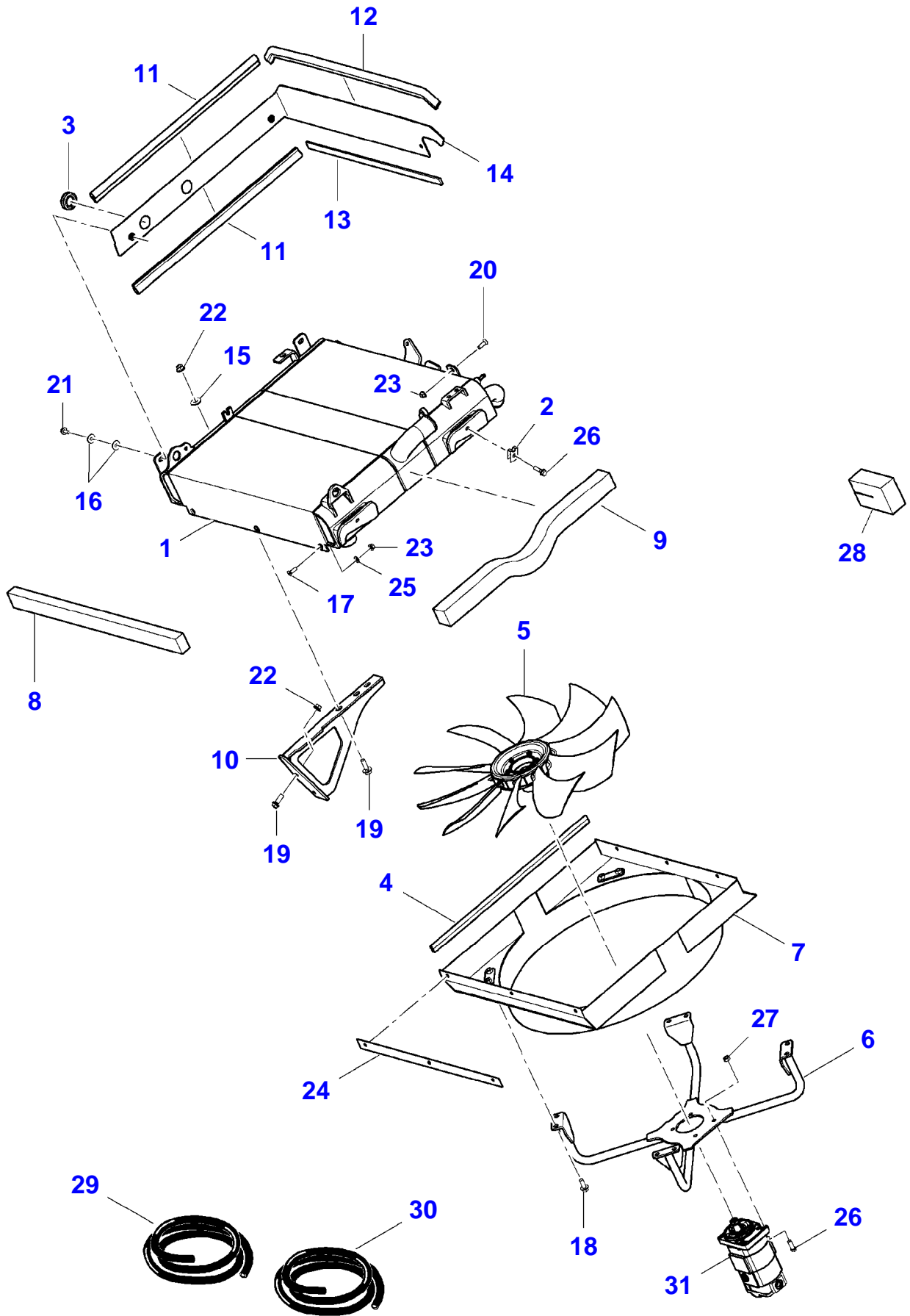
TH.7030 ST4 TELESCOPIC HANDLER (B4DW11001-99999 / B4DZ11001-99999)

6246450

ENGINE

Page01-0008

Item	Part Number	Qty	Description Comments
1	3975342M1	1	ENGINE D34 100HP EPA TIER 4-EPA STAGE IV





Suggest:

For more complete manuals. Please go to the home page.

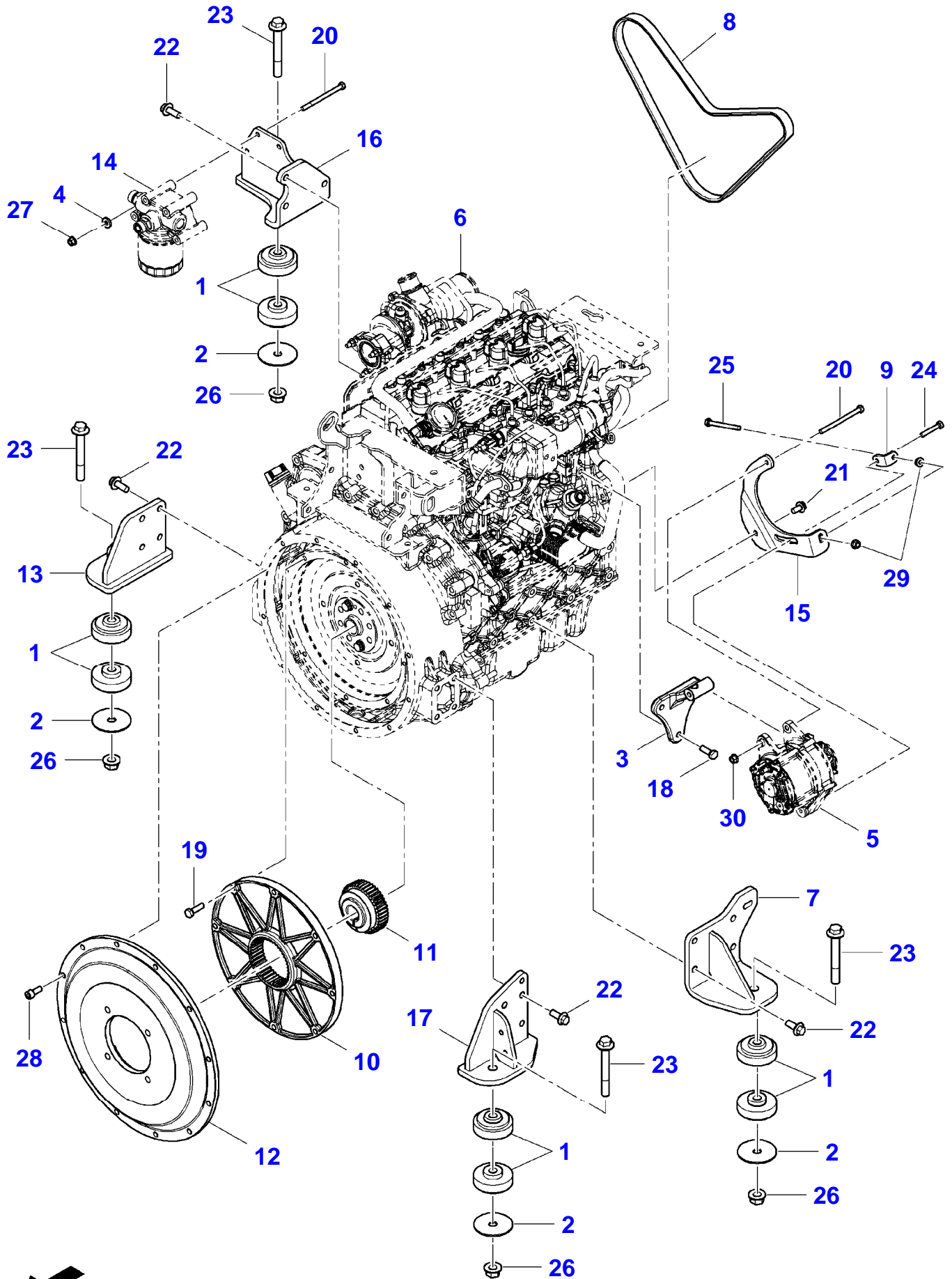
<https://www.ebooklibonline.com>

If the above button click is invalid. Please download this document first, and then click the above link to download the complete manual.

Thank you so much for reading

Item	Part Number	Qty	Description Comments
1	3976457M1	1	EXCHANGER
2	4240886M1	2	NUT
3	3973945M1	2	GROMMET
4	NS	2	NON-SERVICEABLE PART SEAL GASKET NLA - 605 MM (23.8") LONG - ORDER REF.29
5	3975422M1	1	FAN
6	3975423M1	1	SUPPORT
7	3975789M1	1	SHROUD
8	3976035M1	1	FOAM
9	3976400M1	1	FOAM
10	3976721M1	1	HOLDER
11	NS	2	NON-SERVICEABLE PART SEAL GASKET NLA - 645 MM (25.39") LONG-ORDER REF.30
12	NS	1	NON-SERVICEABLE PART SEAL GASKET NLA - 742 MM (29.2") LONG-ORDER REF.30
13	3975432M1	1	FOAM
14	3975843M1	1	PLATE
15	3971660M1	1	WASHER
16	3971664M1	4	WASHER
17	3971371M1	6	SCREW
18	3970383M1	8	HEXAGON FLANGE BOLT
19	3970384M1	3	HEXAGON FLANGE BOLT
20	3970399M1	1	HEXAGON FLANGE BOLT
21	4240905M1	2	HEXAGON FLANGE BOLT
22	3971093M1	3	NUT
23	3971096M1	7	NUT
24	3976722M1	X	PLATE
25	3972948M1	6	WASHER
26	3970401M1	6	HEXAGON FLANGE BOLT
27	3971087M1	4	NUT
28	3975431M1	1	FOAM
29	3975434M1	X	GASKET ORDER PER FOOT (1FT = 30.47 CM)
30	3970779M1	X	GASKET ORDER PER FOOT (1FT = 30.47 CM)
31		1	FAN MOTOR SEE PAGE 14-0013 SEE PAGE 05-0002

TH.7030 ST4 TELESCOPIC HANDLER (B4DW11001-99999 / B4DZ11001-99999)
13934842-F6-1



<https://www.ebooklibonline.com>

Hello dear friend!

Thank you very much for reading.

Enter the link into your browser.

The full manual is available for immediate download.

<https://www.ebooklibonline.com>