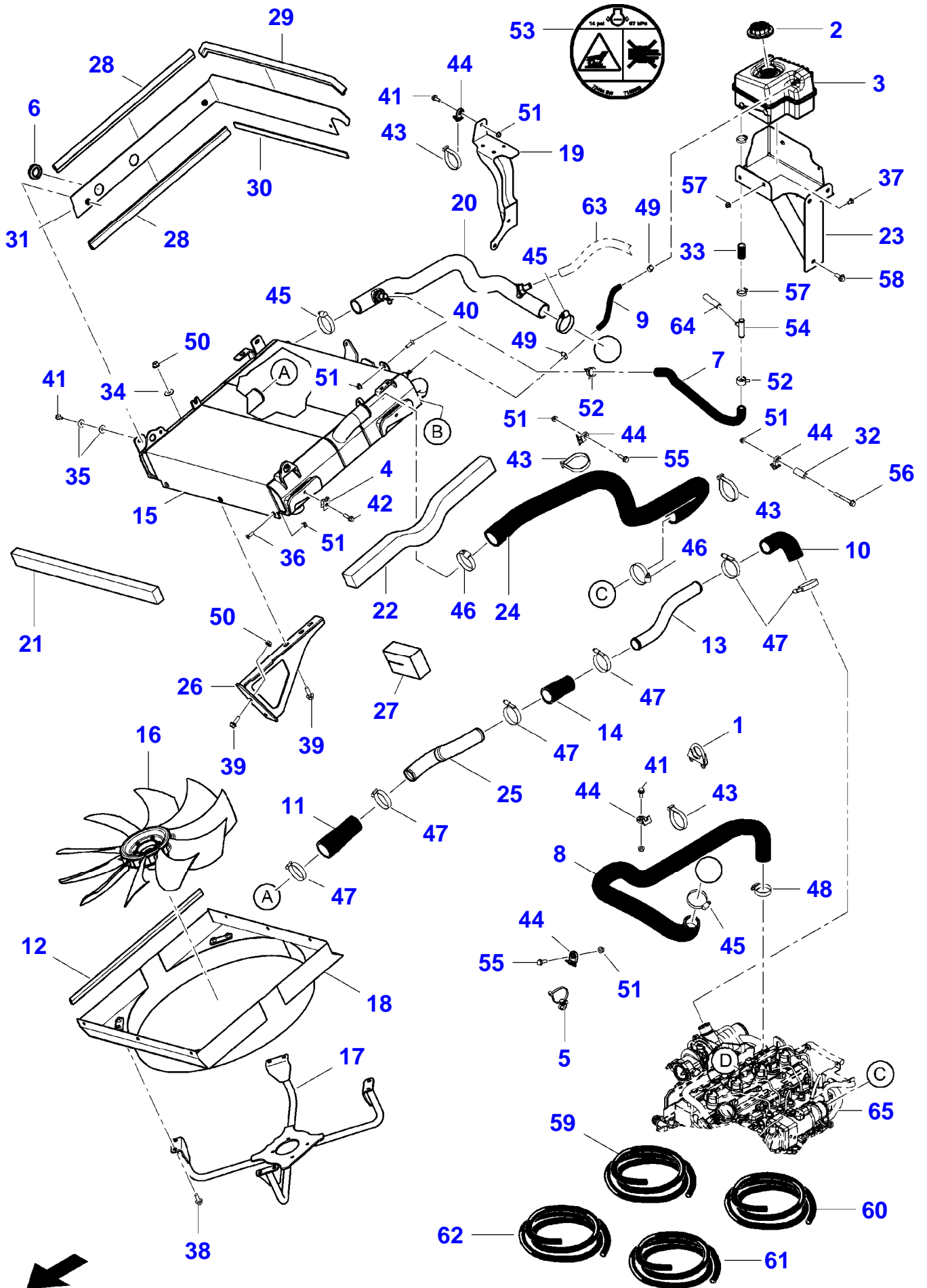


Page Number	Page Title	Page Reference
01-000-TOC	ENGINE, FUEL AND EXHAUST SYSTEM	01-000-TOC
02-000-TOC	FRAME AND SUSPENSION	02-000-TOC
03-000-TOC	STEERING SYSTEM	03-000-TOC
04-000-TOC	DRIVE TRAIN SYSTEM	04-000-TOC
05-000-TOC	HYDRAULIC SYSTEM	05-000-TOC
06-000-TOC	ELECTRICAL SYSTEM	06-000-TOC
07-000-TOC	CAB	07-000-TOC
08-000-TOC	CHASSIS	08-000-TOC
09-000-TOC	DECALS	09-000-TOC
10-000-TOC	WHEELS	10-000-TOC
11-000-TOC	ARTICULATING ARM	11-000-TOC
12-000-TOC	HITCH	12-000-TOC
13-000-TOC	HYDROSTATIC SYSTEM	13-000-TOC
14-000-TOC	ATTACHMENTS	14-000-TOC
15-000-TOC	GENERAL INFORMATION	15-000-TOC

Page Number	Page Title	Page Reference
01-0001	COOLING SYSTEM	2163369
01-0002	RADIATOR	2163424
01-0003	AIR INTAKE	1961220
01-0004	EXHAUST SYSTEM	1961221
01-0005	SCR SYSTEM - HOUSING	1961222
01-0006	SCR SYSTEM - PLUMBING	1961229
01-0008	SCR SYSTEM - PUMP	2301093
01-0009	SCR SYSTEM - TANK	1961232
01-0010	ENGINE AUXILIARY EQUIPMENT - MOUNTING	1996120
01-0011	FUEL LINE & FILTER	1961319
01-0012	FUEL SYSTEM - FUEL TANK & ATTACHMENTS	1996741
01-0013	ENGINE	1961320
01-0014	ENGINE AUXILIARY EQUIPMENT - MOUNTING	1961285
01-0015	FLYWHEEL HOUSING	1961325
01-0016	FLYWHEEL	1961326
01-0017	CYLINDER BLOCK	1961359
01-0018	CYLINDER HEAD	1961367
01-0019	ROCKER ARM COVER	1965933
01-0020	VALVES AND ROCKER SHAFT	1961713
01-0021	CAMSHAFT	1961714
01-0022	PISTON	1961716
01-0023	OIL PAN & SEAL	1961718
01-0024	OIL PUMP	1961747
01-0025	OIL COOLER & FILTER	1961759
01-0026	WATER PUMP	1961771
01-0027	THERMOSTAT	1961775
01-0028	INTAKE AIR HEATER	1961868
01-0029	INTAKE MANIFOLD	1961923
01-0030	EXHAUST MANIFOLD	1961934
01-0031	TURBOCHARGER	1961939
01-0032	EGR & EGR COOLER	1965872
01-0033	INJECTION PUMP	1962011
01-0034	FUEL RAIL & INJECTORS - RAIL	1962033
01-0035	AIR CLEANER	1965841

TH.6030 ST4 TELESCOPIC HANDLER (B3ZL11001-99999 / B3ZM11001-99999)
16017349-F6-1



<https://www.ebooklibonline.com>

Hello dear friend!

Thank you very much for reading.

Enter the link into your browser.

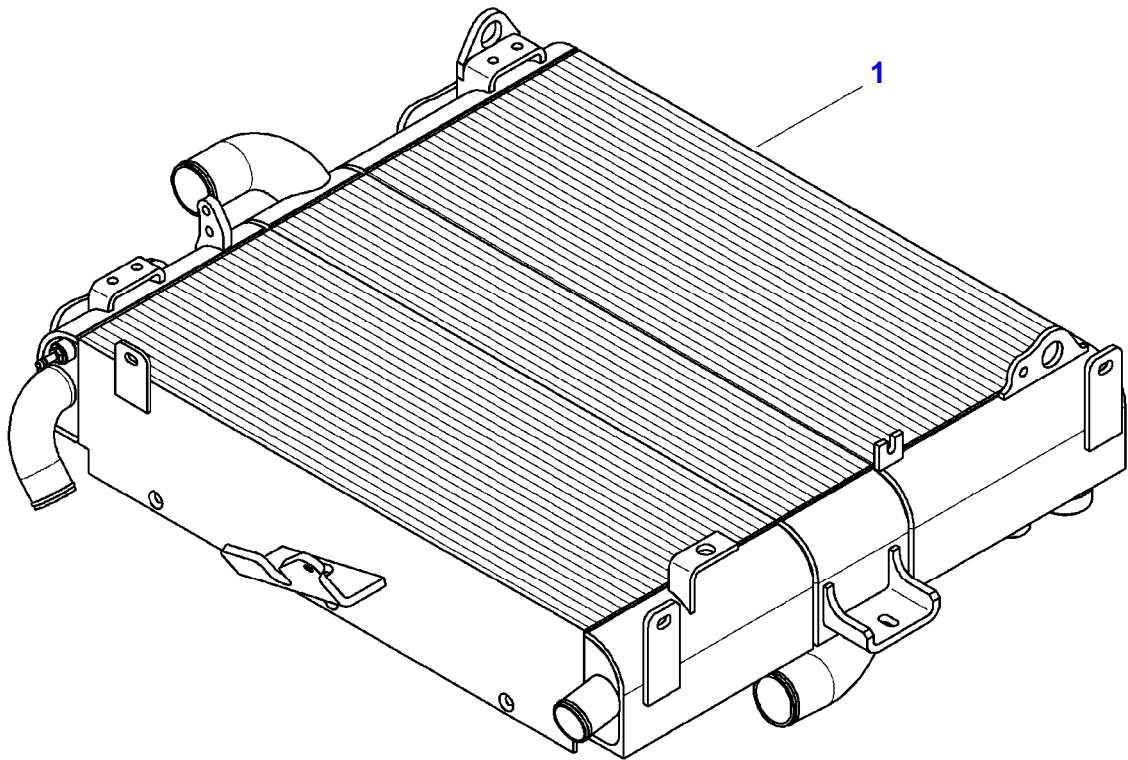
The full manual is available for immediate download.

<https://www.ebooklibonline.com>

COOLING SYSTEM

Item	Part Number	Qty	Description Comments
1	3976079M1	1	CLAMP
2	3970087M1	1	CAP COMPLETE ASSEMBLY
3	3973110M1	1	EXPANSION TANK
4	4240886M1	2	NUT
5	3972772M1	1	STRAP
6	3973945M1	2	GROMMET
7	3975850M1	1	HOSE
8	3975417M1	1	HOSE
9	NS	1	NON-SERVICEABLE PART HOSE 180 MM (7.09") ORDER ITEM 58
10	3976032M1	1	ELBOW
11	3976033M1	1	HOSE
12		1	SEAL 611 MM (24.06") ORDER ITEM 59
13	3975420M1	1	TUBE
14	3976034M1	1	HOSE
15	3976457M1	1	EXCHANGER
16	3975422M1	1	FAN
17	3975423M1	1	SUPPORT
18	3975789M1	1	SHROUD
19	3976077M1	1	BRACKET
20	3975758M1	1	HOSE
21	3976035M1	1	FOAM
22	3976400M1	1	FOAM
23	3976233M1	1	HOLDER
24	3976459M1	1	HOSE
25	3976458M1	1	TUBE
26	3976208M1	1	HOLDER
27	3975431M1	1	FOAM
28	NS	2	NON-SERVICEABLE PART SEAL 645 MM (25.39") ORDER ITEM 60
29	NS	14	NON-SERVICEABLE PART SEAL 742 MM (29.2") ORDER ITEM 60
30	3975432M1	1	FOAM
31	3975843M1	1	PLATE
32	3976038M1	1	SPACER
33	NS	1	NON-SERVICEABLE PART HOSE 42.0MM (1.65") ORDER ITEM 61
34	3971660M1	1	WASHER
35	3971664M1	4	WASHER
36	3971371M1	6	SCREW
37	3970381M1	2	BOLT
38	3970383M1	8	HEXAGON FLANGE BOLT
39	3970384M1	3	HEXAGON FLANGE BOLT
40	3970399M1	1	HEXAGON FLANGE BOLT
41	4240905M1	4	HEXAGON FLANGE BOLT
42	3970401M1	2	HEXAGON FLANGE BOLT
43	4241866M1	4	STRAP
44	4241379M1	5	BRACKET
45	3973585M1	3	CLAMP
46	3970533M1	2	CLAMP
47	3970538M1	6	CLAMP
48	3976027M1	1	CLAMP
49	3973101M1	2	CLAMP
50	3971093M1	3	NUT
51	3971096M1	14	NUT
52	3970546M1	2	CLAMP
53	3971728M1	1	DECAL
54	3975795M1	1	FITTING
55	3970400M1	2	HEXAGON FLANGE BOLT

Item	Part Number	Qty	Description Comments
56	3970406M1	1	BOLT
57	3970532M1	2	CLAMP
58	3970382M1	3	HEXAGON FLANGE BOLT
59	3971741M1	X	HOSE ORDER PER FOOT (1FT = 30.47 CM)
60	3975434M1	X	GASKET ORDER PER FOOT (1FT = 30.47 CM)
61	3970779M1	X	GASKET ORDER PER FOOT (1FT = 30.47 CM)
62	3972943M1	1	HOSE
63		1	HOSE SEE PAGE 07-0018
64		1	HOSE SEE PAGE 01-0006
65		1	ENGINE SEE PAGE 01-0013



Massey Ferguson

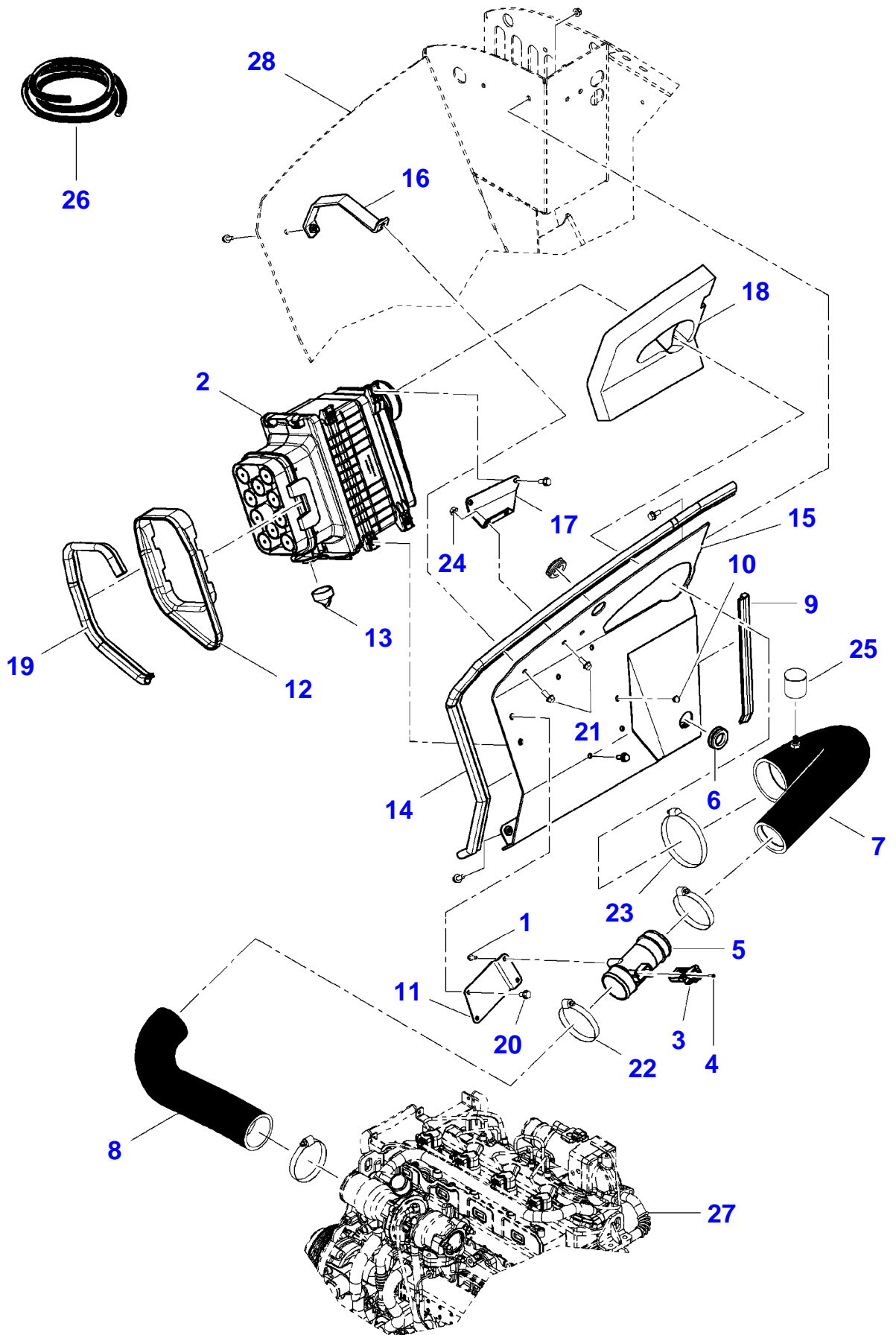
TH.6030 ST4 TELESCOPIC HANDLER (B3ZL11001-99999 / B3ZM11001-99999)

6246276

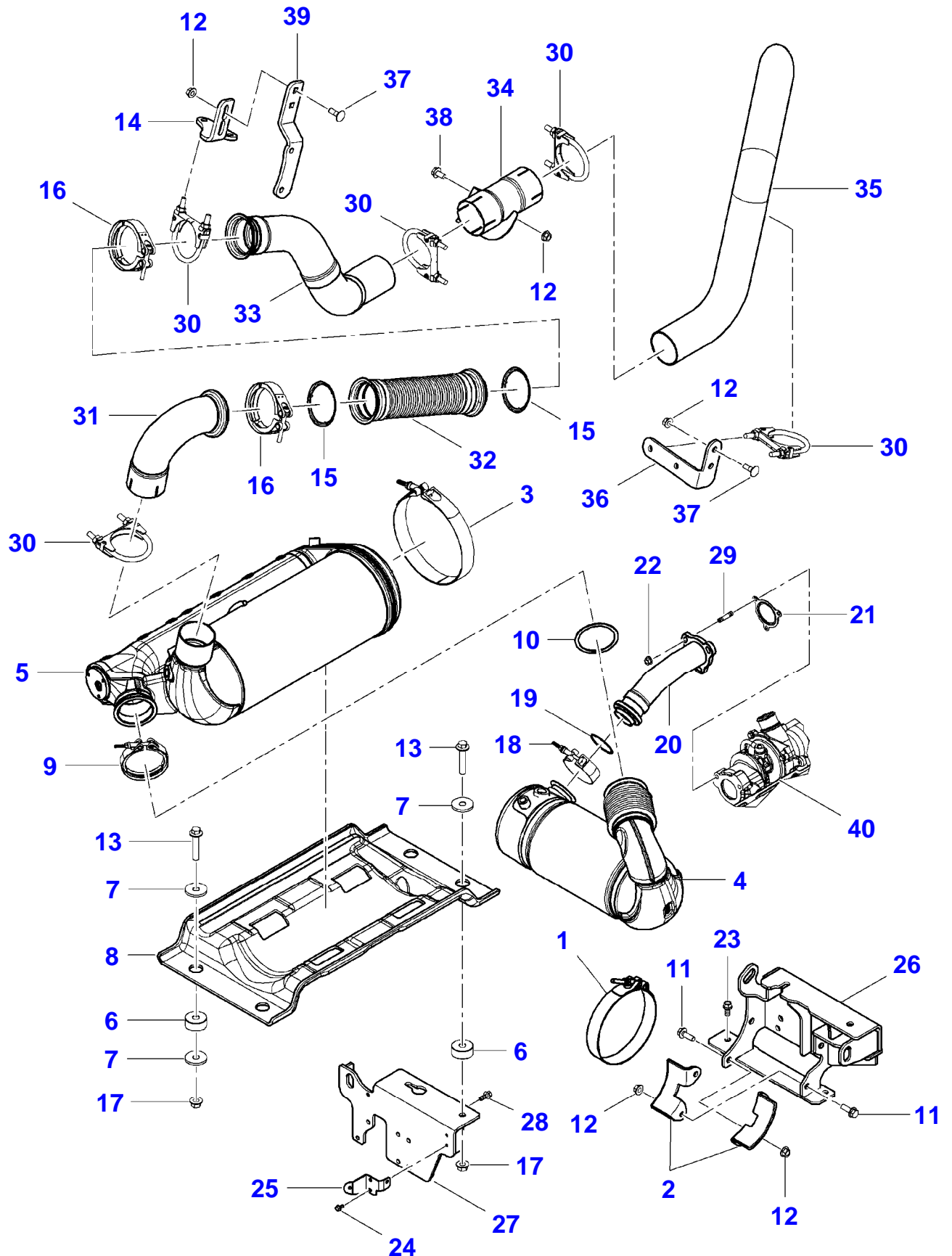
RADIATOR

Page01-0002

Item	Part Number	Qty	Description Comments
1	3976457M1	1	EXCHANGER

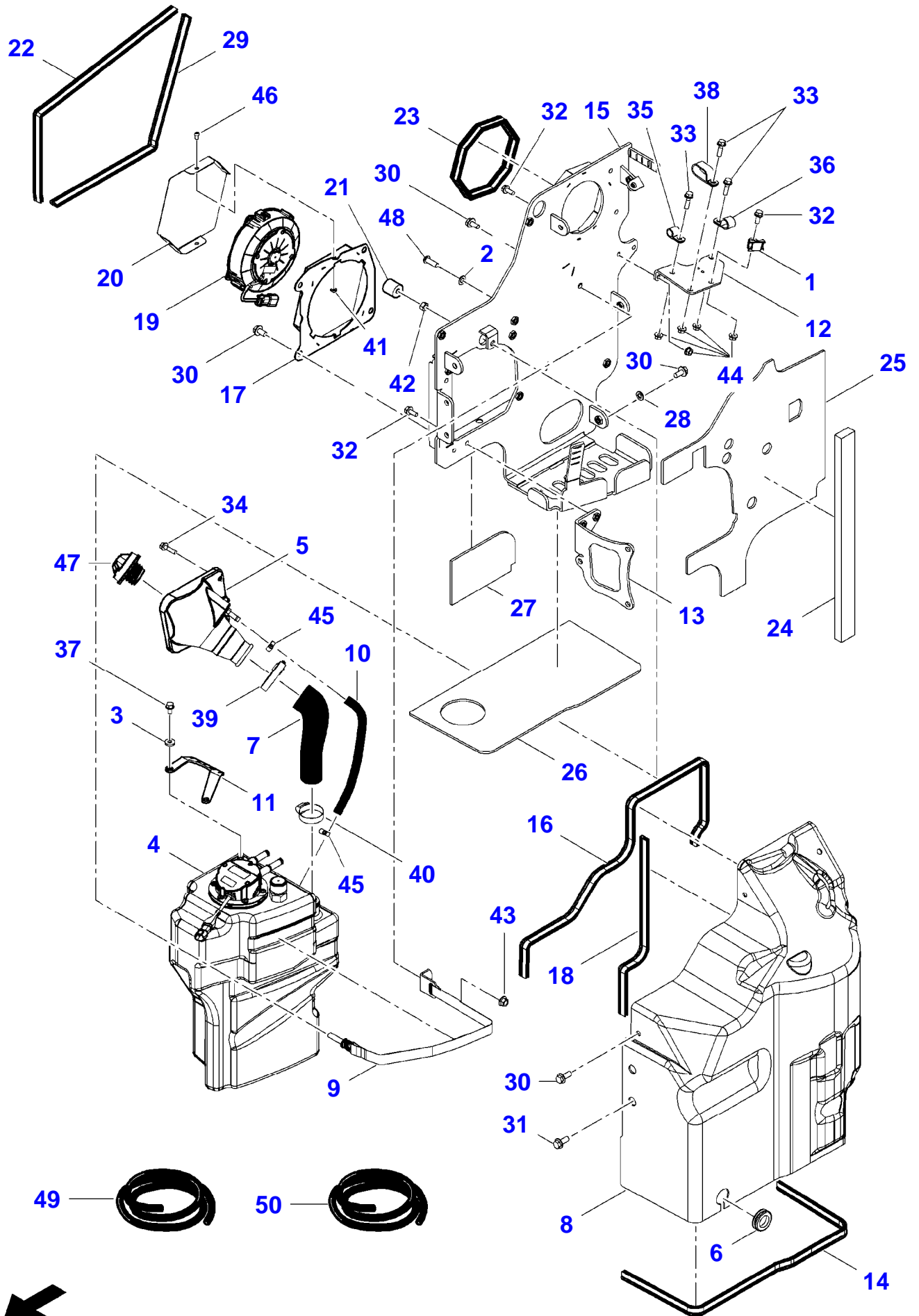


Item	Part Number	Qty	Description Comments
1	3971403M1	2	SCREW
2	3975435M1	1	AIR FILTER SEE PAGE 01-0035
3	3975579M1	1	SENSOR MASS AIR FLOW SENSOR (MAF)
4	3975581M1	2	SCREW
5	3975582M1	1	HOUSING
6	3973945M1	2	GROMMET
7	3976046M1	1	HOSE
8	3975289M1	1	HOSE
9	NS	1	NON-SERVICEABLE PART 320MM (12.6") ORDER ITEM 26 SEAL
10	3976204M1	4	DECAL
11	3975793M1	1	PLATE
12	3975806M1	1	BOOT
13	3975276M1	1	ELEMENT,AIR FILTER
14	NS	1	NON-SERVICEABLE PART 1250MM (49.2") ORDER ITEM 26 SEAL
15	3975974M1	1	PLATE
16	3975975M1	1	PLATE
17	3975837M1	1	SUPPORT
18	3975976M1	1	FOAM
19	NS	1	NON-SERVICEABLE PART 570MM (22.4") ORDER ITEM 26 SEAL
20	3970399M1	2	HEXAGON FLANGE BOLT
21	4240905M1	11	HEXAGON FLANGE BOLT
22	3970536M1	3	CLAMP
23	3975977M1	1	CLAMP
24	3971096M1	3	NUT
25	3970130M1	1	SENSOR AIR FILTER
26	3970779M1	X	GASKET ORDER PER FOOT (1FT = 30.47 CM)
27		1	ENGINE SEE PAGE 01-0013
28		1	FRAME ENGINE SEE PAGE 08-0001



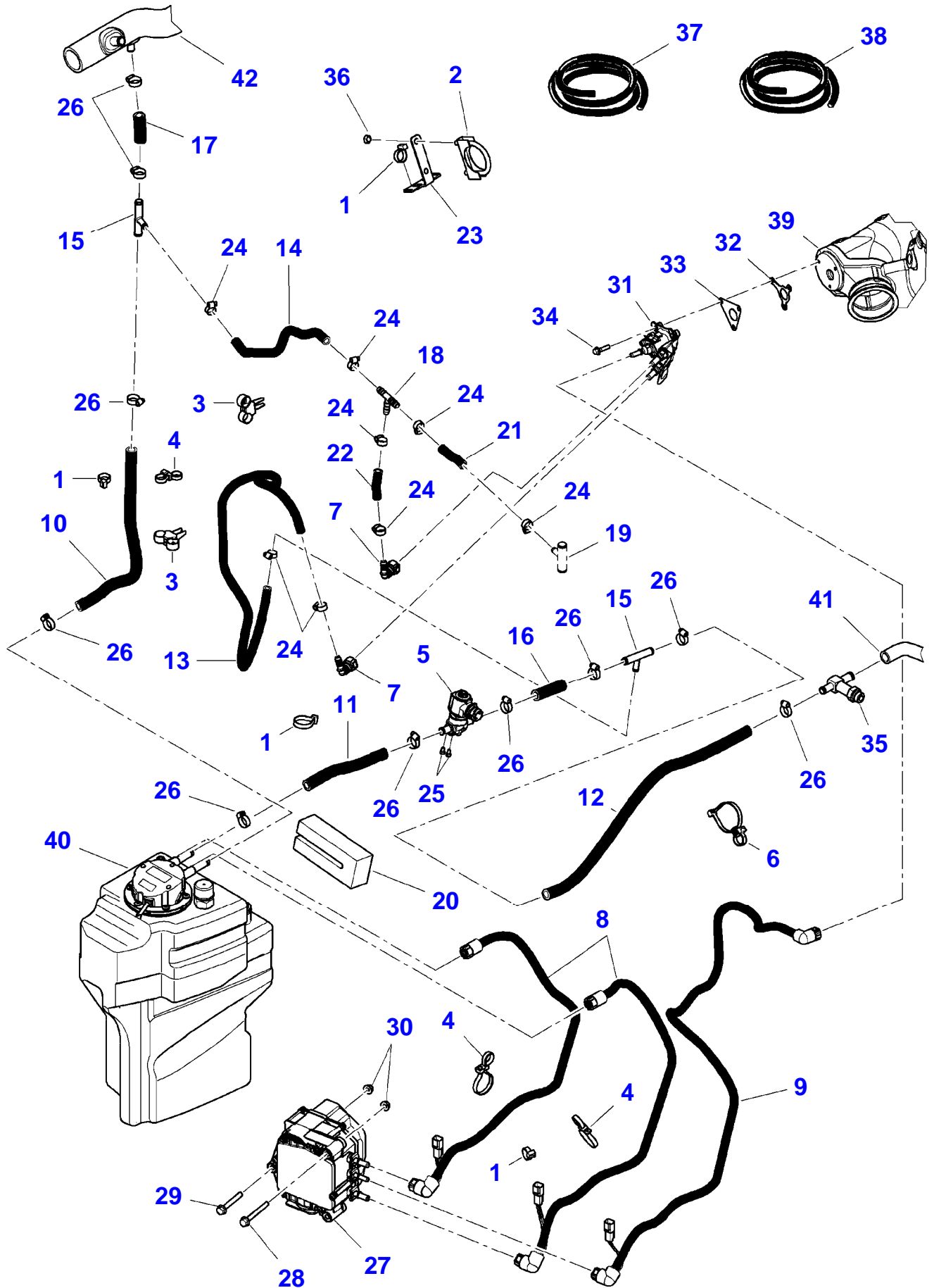
EXHAUST SYSTEM

Item	Part Number	Qty	Description Comments
1	3975574M1	2	CLAMP
2	3975578M1	2	MOUNT
3	3976018M1	2	CLAMP
4	3975775M1	1	MUFFLER DIESEL OXIDATION CATALYST INCLUDES ITEMS 18-20
5	3975344M1	1	SELECTOR
6	3975773M1	4	SPACER
7	3975343M1	6	WASHER
8	3975605M1	1	MOUNT
9	3975606M1	1	CLAMP
10	3975607M1	1	GASKET
11	3970384M1	4	HEXAGON FLANGE BOLT
12	3971093M1	10	NUT
13	3976478M1	4	BOLT
14	3976174M1	1	PLATE
15	3972964M1	2	GASKET
16	3973657M1	2	EXHAUST
17	3971094M1	4	NUT
18	NS	1	NON-SERVICEABLE PART CLAMP ORDER ITEM 4
19	NS	1	NON-SERVICEABLE PART (4) GASKET ORDER ITEM 4
20	NS	1	NON-SERVICEABLE PART PIPE ORDER ITEM 4
21	3975226M1	1	GASKET (4)
22	3975545M1	3	NUT
23	3975525M1	8	BOLT
24	3975510M1	2	BOLT
25	3975628M1	1	BRACKET
26	3975907M1	1	BRACKET
27	3975908M1	1	BRACKET
28	3975504M1	6	BOLT
29	3975650M1	3	STUDS
30	3975800M1	5	CLAMP
31	3975319M1	1	TUBE
32	3976479M1	1	EXHAUST PIPE
33	3975318M1	1	TUBE
34	3975316M1	1	TUBE
35	3975979M1	1	PIPE
36	3976164M1	1	SUPPORT
37	3975396M1	4	BOLT
38	3970382M1	2	HEXAGON FLANGE BOLT
39	3976173M1	1	PLATE
40		1	TURBOCHARGER SEE PAGE 01-0031



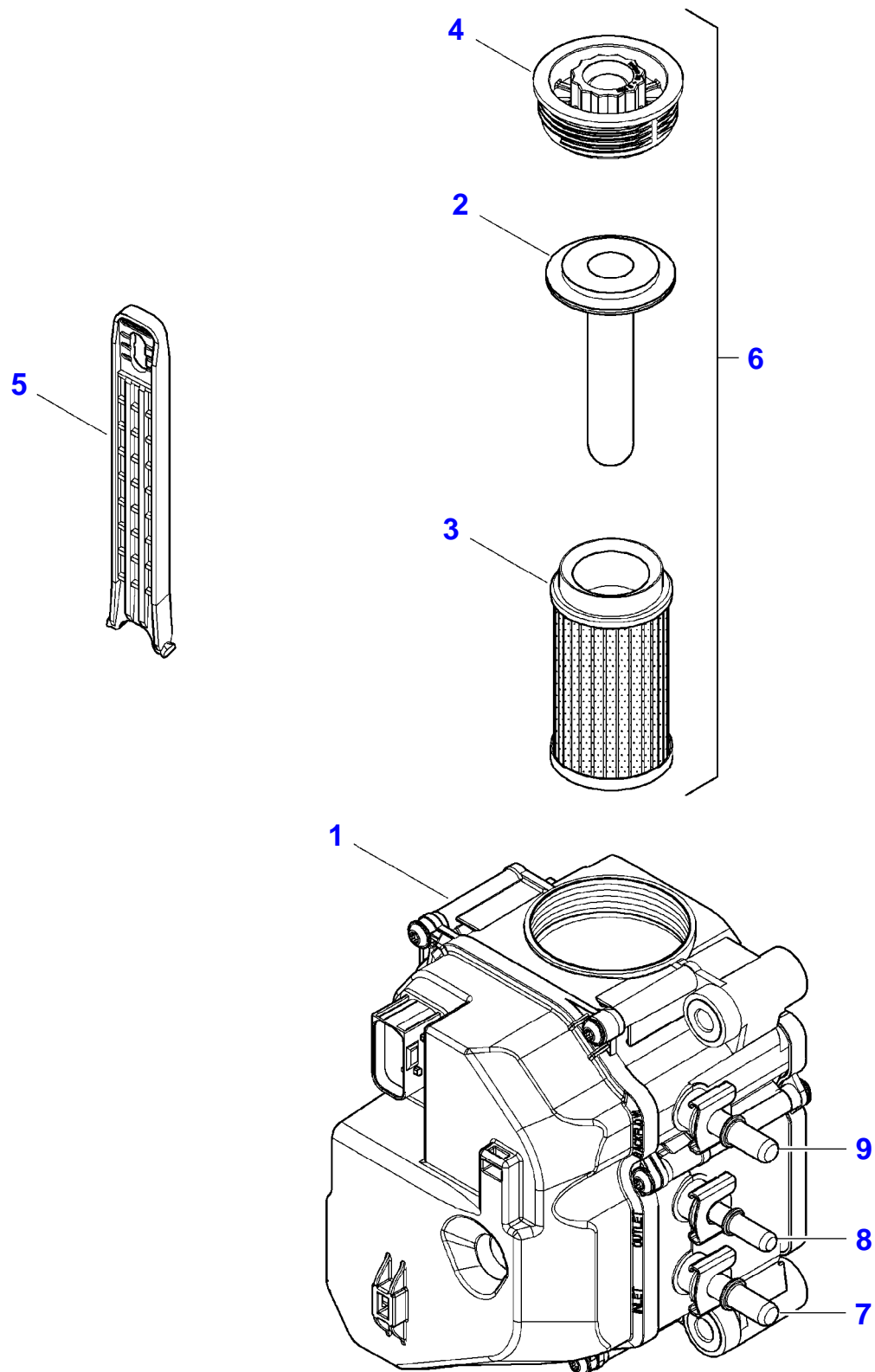
Item	Part Number	Qty	Description Comments
1	4241376M1	1	BRACKET
2	3971660M1	1	WASHER
3	3972948M1	2	WASHER
4	3975265M1	1	TANK
5	3976019M1	1	TRAY
6	3973945M1	1	GROMMET
7	3975347M1	1	HOSE
8	3976166M1	1	COVER
9	3975733M1	1	STRAP
10	NS	1	NON-SERVICEABLE PART HOSE 310 MM (12.2") ORDER ITEM 49
11	3976178M1	1	SUPPORT
12	3976176M1	1	PLATE
13	3975764M1	1	SUPPORT
14	NS	1	NON-SERVICEABLE PART SEAL 830 MM (32.7") ORDER ITEM 50
15	3976177M1	1	SUPPORT
16	NS	1	NON-SERVICEABLE PART 980 MM (38.6") ORDER ITEM 50 SEAL
17	3976180M1	1	SUPPORT
18	NS	1	NON-SERVICEABLE PART 480MM (18.9") ORDER ITEM 50 SEAL
19	3975366M1	1	FAN
20	3976169M1	1	FAN
21	3975820M1	1	FOAM
22	NS	2	NON-SERVICEABLE PART SEAL 640 MM (25.2") ORDER ITEM 50
23	NS	1	NON-SERVICEABLE PART SEAL 550MM (21.6") ORDER ITEM 50
24	3976025M1	1	FOAM
25	3976170M1	1	FOAM
26	3975847M1	1	INSULATION
27	3975884M1	1	INSULATION
28	3971671M1	2	WASHER
29	NS	1	NON-SERVICEABLE PART SEAL 600 MM (23.6") ORDER ITEM 50
30	3970382M1	11	HEXAGON FLANGE BOLT
31	3970383M1	2	HEXAGON FLANGE BOLT
32	4240905M1	7	HEXAGON FLANGE BOLT
33	3970401M1	3	HEXAGON FLANGE BOLT
34	3976026M1	2	BOLT
35	3970558M1	1	CLAMP
36	4241957M1	1	CLAMP
37	3975982M1	2	BOLT
38	4241924M1	1	CLAMP
39	3970533M1	1	CLAMP
40	3976027M1	1	CLAMP
41	3976028M1	4	NUT
42	NS	1	NON-SERVICEABLE PART NUT
43	3971093M1	1	NUT
44	3971096M1	6	NUT
45	3973101M1	2	CLAMP
46	3971381M1	4	SCREW
47	3976029M1	1	CAP
48	3971375M1	1	SCREW

Item	Part Number	Qty	Description Comments
49	3975589M1	X	HOSE ORDER PER FOOT (1FT = 30.47 CM)
50	3975434M1	X	GASKET ORDER PER FOOT (1FT = 30.47 CM)

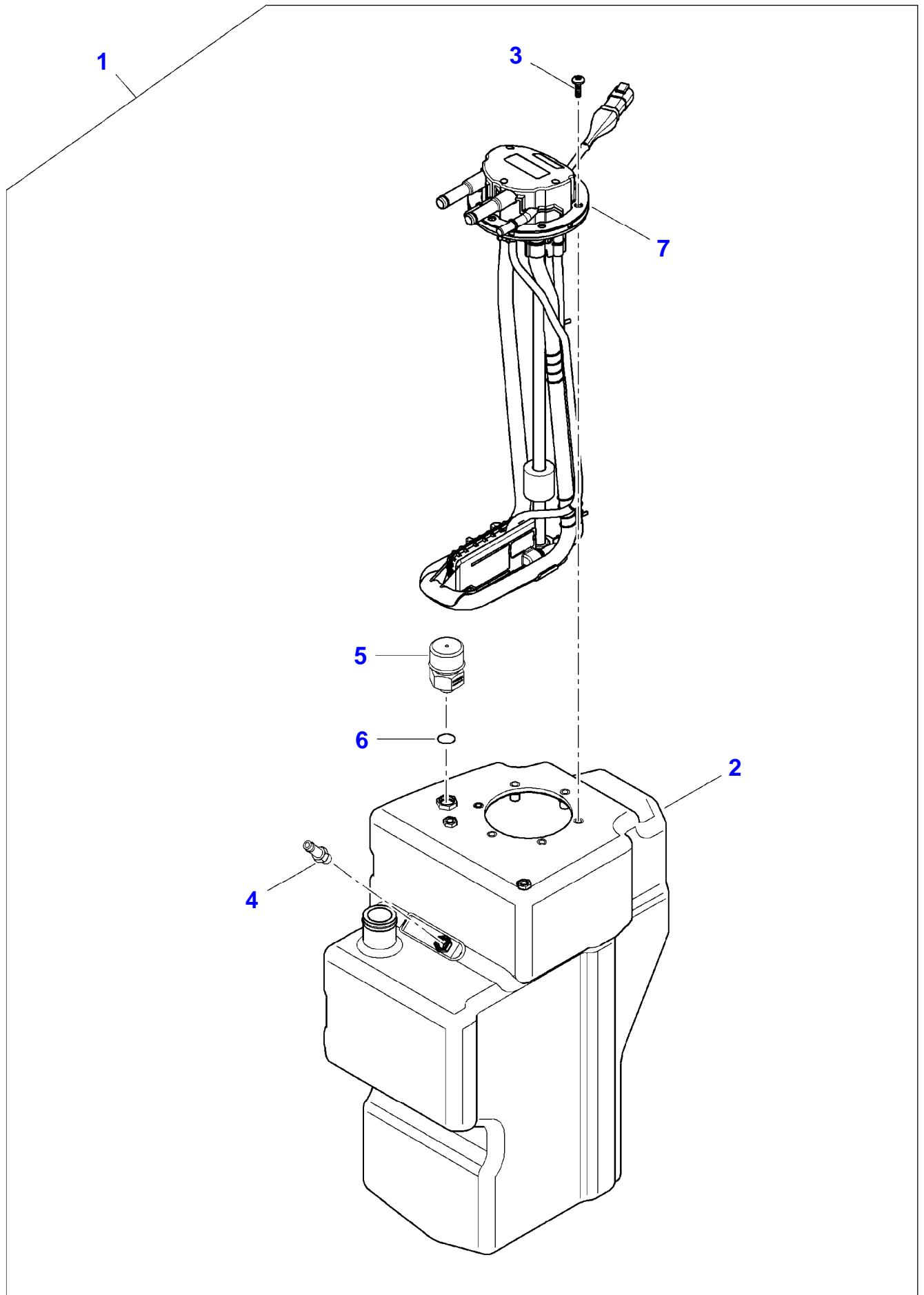


Item	Part Number	Qty	Description Comments
1	4238208M1	8	CABLE TIE
2	3976030M1	1	CLAMP
3	4241375M1	5	TIE
4	3972580M1	4	STRAP
5	3975575M1	1	VALVE
6	3972772M1	1	STRAP
7	3973927M1	2	FITTING
8	3975348M1	2	HOSE
9	3975349M1	1	HOSE
10	NS	1	NON-SERVICEABLE PART HOSE 500 MM (19.68") ORDER ITEM 37
11	NS	1	NON-SERVICEABLE PART HOSE 270 MM (10.63") ORDER ITEM 37
12	NS	1	NON-SERVICEABLE PART HOSE 535 MM (21.06") ORDER ITEM 37
13	NS	1	NON-SERVICEABLE PART HOSE 1020 MM (40.16") ORDER ITEM 38
14	NS	1	NON-SERVICEABLE PART HOSE 400MM (15.7") ORDER ITEM 38
15	3975739M1	2	FITTING
16	NS	1	NON-SERVICEABLE PART HOSE 72,0MM (3.0") ORDER ITEM 37
17	NS	1	NON-SERVICEABLE PART HOSE 55,0 MM (2.16") ORDER ITEM 37
18	3976165M1	1	TEE
19	NS	1	NON-SERVICEABLE PART FITTING SEE PAGE 01-0001
20	3976031M1	1	FOAM
21	NS	1	NON-SERVICEABLE PART HOSE 120 MM (4.7") ORDER ITEM 38
22	NS	1	NON-SERVICEABLE PART HOSE 60 MM (2.3") ORDER ITEM 38
23	3976172M1	1	PLATE
24	3973101M1	8	CLAMP
25	3975984M1	2	SCREW
26	3973102M1	10	CLAMP
27	3975571M1	1	PUMP SEE PAGE 01-0033
28	3970406M1	1	BOLT
29	3970405M1	2	HEXAGON FLANGE BOLT
30	3971096M1	3	NUT
31	3975596M1	1	MODULE
	3975680M1		GASKET
32	3975608M1	1	GASKET
33	3975609M1	1	SHIELD
34	3975949M1	3	BOLT
35	3975740M1	1	FITTING
	4240785M1		O RING
36	NS	2	NON-SERVICEABLE PART NUT
37	3975449M1	X	HOSE ORDER PER FOOT (1FT = 30.47 CM)

Item	Part Number	Qty	Description Comments
38	3975589M1		HOSE
39		1	ENGINE SEE PAGE 01-0004
40	3975265M1	1	TANK
41		1	HOSE SEE PAGE 07-0018
42		1	HOSE SEE PAGE 01-0001



Item	Part Number	Qty	Description Comments
1	3975571M1	1	PUMP INCLUDES ITEMS 2-4 & 7-9
2	NS	1	NON-SERVICEABLE PART ORDER ITEM 6
3	NS	1	NON-SERVICEABLE PART FILTER ORDER ITEM 6
4	NS	1	NON-SERVICEABLE PART CAP ORDER ITEM 6
5	NS	1	NON-SERVICEABLE PART TOOL ORDER ITEM 6
6	3976352M1	1	KIT, FILTER INCLUDES ITEMS 2-5
7	3976717M1	1	KIT, SERVICE INLET
8	3976718M1	1	KIT, SERVICE OUTLET
9	3976719M1	1	KIT, SERVICE BACKFLOW





Suggest:

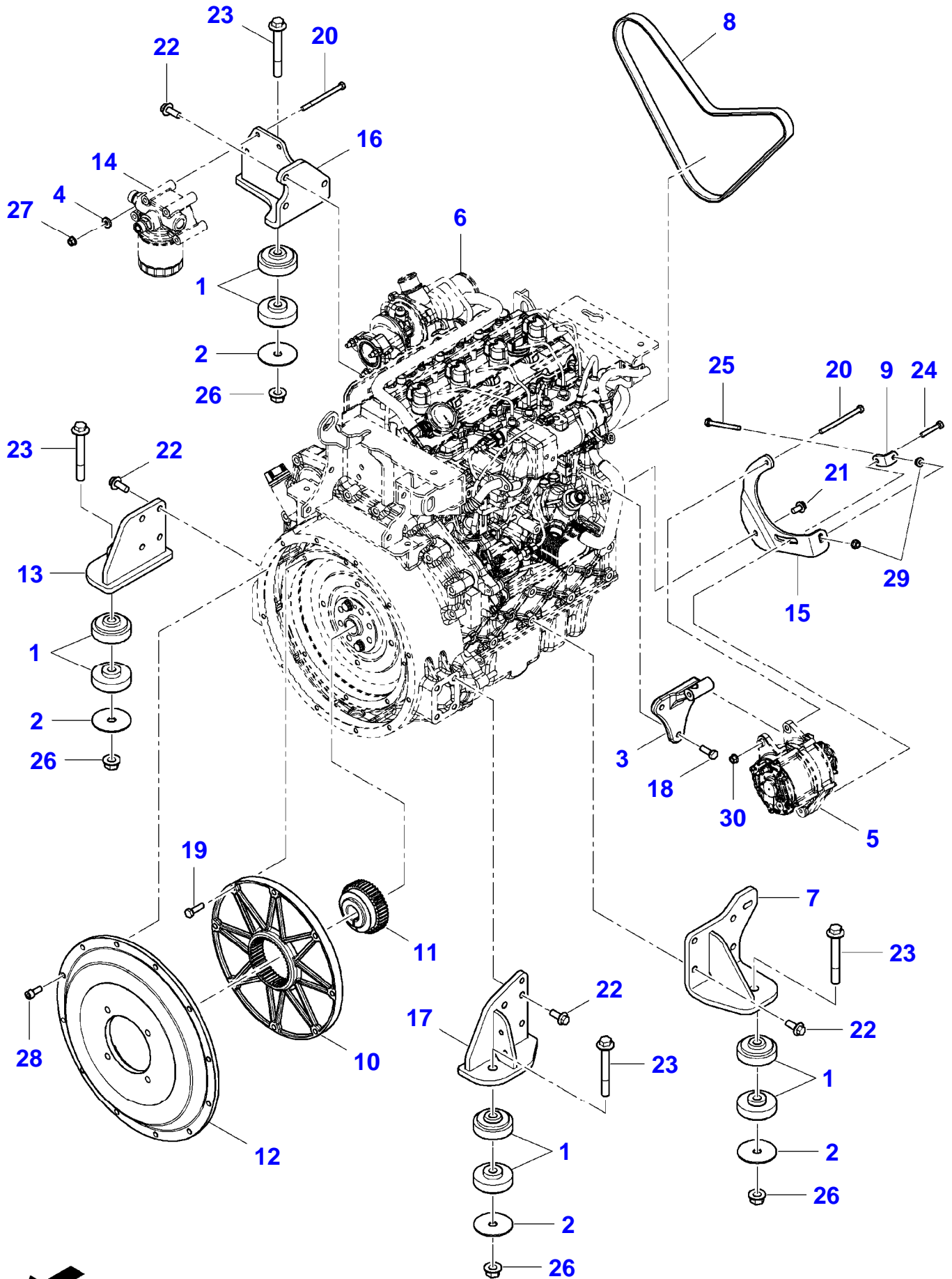
For more complete manuals. Please go to the home page.

<https://www.ebooklibonline.com>

If the above button click is invalid. Please download this document first, and then click the above link to download the complete manual.

Thank you so much for reading

Item	Part Number	Qty	Description Comments	Technical Specification
1	3975265M1	1	TANK COMPLETE ASSEMBLY	
2	NS	1	NON-SERVICEABLE PART TANK ORDER ITEM 1	
3	3975612M1	6	SCREW	
4	3975613M1	1	FITTING	
	3975614M1	1	O RING	
5	3975616M1	1	BREATHER	
6	3975615M1	1	O RING	
7	3975973M1	1	SENSOR	DEF



<https://www.ebooklibonline.com>

Hello dear friend!

Thank you very much for reading.

Enter the link into your browser.

The full manual is available for immediate download.

<https://www.ebooklibonline.com>