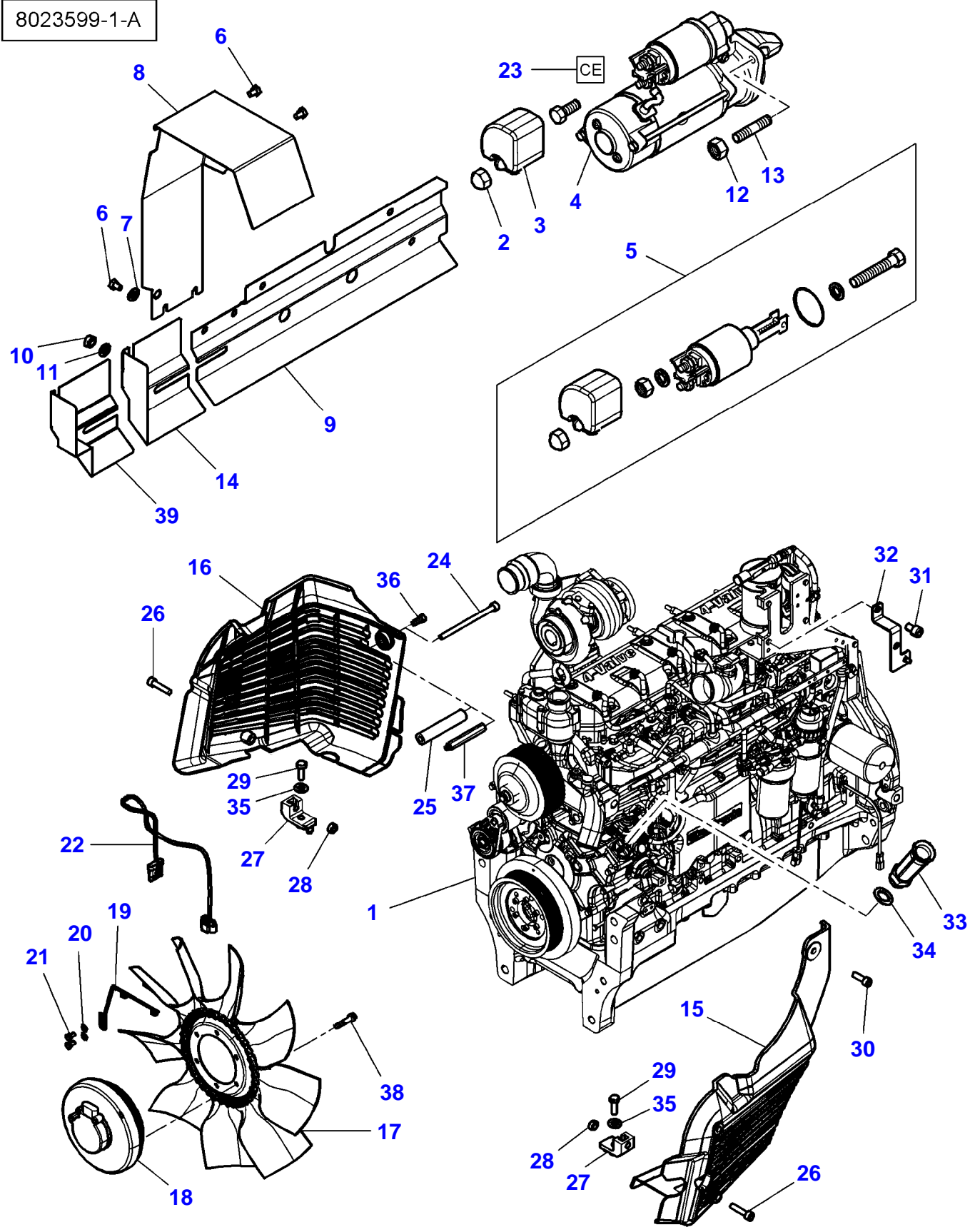


<b>Page Number</b>	<b>Page Title</b>	<b>Page Reference</b>
01-000-TOC	ENGINE, FUEL AND EXHAUST SYSTEM	01-000-TOC
02-000-TOC	AXLES	02-000-TOC
03-000-TOC	STEERING SYSTEM	03-000-TOC
04-000-TOC	DRIVE TRAIN SYSTEM	04-000-TOC
05-000-TOC	BRAKE SYSTEM	05-000-TOC
06-000-TOC	COMPRESSED AIR SYSTEM	06-000-TOC
07-000-TOC	HYDRAULIC SYSTEM	07-000-TOC
08-000-TOC	ELECTRICAL SYSTEM	08-000-TOC
09-000-TOC	CAB	09-000-TOC
10-000-TOC	CHASSIS	10-000-TOC
11-000-TOC	DECALS	11-000-TOC
12-000-TOC	WHEELS	12-000-TOC
13-000-TOC	IMPLEMENT DRIVE SYSTEM	13-000-TOC
14-000-TOC	IMPLEMENT LIFT SYSTEM REAR	14-000-TOC
15-000-TOC	LINKAGE	15-000-TOC
16-000-TOC	FRONT/REAR LOADERS	16-000-TOC
17-000-TOC	ACCESSORIES	17-000-TOC
18-000-TOC	GENERAL INFORMATION	18-000-TOC

MF 7622 TRACTOR ( DYNA 6 ) (B328047 - F302042)  
8023599-1-A



Item	Part Number	Qty	Description Comments	Technical Specification
1	V835076770	1	ENGINE	74 AWI
	865076770X	1	SHORT BLOCK ENGINE [B]	
	V835076772	1	ENGINE	74 AWI
	V835077266	1	ENGINE	74 AWI
	V835077656	1	ENGINE	74 AWI
	V835077468	1	ENGINE	74 AWI
2	3786092M1	1	NUT METRIC	M10
3	3786093M1	1	PROTECTION	
4	3823621M96	1	STARTERMOTOR [A]	
5	3905503M92	1	KIT, SOLENOID (4)	
6	339228X1	4	HEXAGONAL HEAD BOLT	M8 X 12 (1.25) ISO 8.8 ZN
7	390972X1	2	FLAT WASHER	M8 ZN
8	4353642M3	1	COWL	
9	4350490M3	1	COWL	
10	339402X1	6	HEX NUT	M10 (1.5) ISO 8 ZN
11	385362X1	6	FLAT WASHER	?10-20 X 3 MM ZN
12	339402X1	3	HEX NUT	M10 (1.5) ISO 8 ZN
13	3008483X1	3	STUD BOLT	M10X35-ISO 8.8-ZN
14	4350489M2	1	COWL UP TO SERIAL OR ENGINE NUMBER E107036	
15	4356509M3	1	LEFT HAND COWL	
16	4356510M3	1	RIGHT HAND COWL	
17	4377131M1	1	FAN	
18	4353860M1	1	CLUTCH	
19	4353729M3	1	SUPPORT	
20	390972X1	2	FLAT WASHER	M8 ZN
21	339124X1	2	HEXAGONAL HEAD BOLT	M8 X 16 (1.25) ISO 8.8 ZN
22	4374489M1	1	HARNESS	
23	3788193M1	1	LABEL UP TO SERIAL OR ENGINE NUMBER D098076	
24	3016173X1	1	HEX SOCKET HEAD CAPSCREW UP TO MACHINE S/N E023038	M8 X 115 ISO 8.8 ZN
25	4375412M1	1	SPACER UP TO MACHINE S/N E023038	9-18 X 92 MM
26	3016174X1	2	HEX SOCKET HEAD CAPSCREW	M8 X 35 ISO 8.8 ZN
27	4376823M1	2	SUPPORT	
28	339169X1	2	HEX NUT	M8 (1.25) ISO 8 ZN
29	339761X1	2	HEXAGONAL HEAD BOLT	M8 X 25 (1.25) ISO 8.8 ZN
30	3016171X1	1	HEX SOCKET HEAD CAPSCREW	M8 X 25 ISO 8.8 ZN
31	3010568X1	1	HEX SOCKET HEAD CAPSCREW	M10 X 16 ISO 10.9 ZN
32	4354498M4	1	FLANGE BRACKET	
33	4377710M4	1	TUBE FROM MACHINE S/N C334031	
34	3011409X1	1	O-RING FROM MACHINE S/N C334031	?34,52 X 3,53 MM DIDC 70 PL
35	339024X1	2	FLAT WASHER	?8,4-17 X 2 MM ZN
36	339761X1	1	HEXAGONAL HEAD BOLT FROM MACHINE S/N E023039 UP TO MACHINE S/N 09-FEB-2014	M8 X 25 (1.25) ISO 8.8 ZN
	3016171X1	1	HEX SOCKET HEAD CAPSCREW FROM MACHINE S/N 10-FEB-2014	M8 X 25 ISO 8.8 ZN
37	4388471M1	1	SPACER FROM MACHINE S/N E023039	L = 92 MM
38	3009192X1	6	HEXAGON FLANGE BOLT	M8 X 16 (1.25) ISO 10.9 ZN
39	4381471M1	1	COWL FROM SERIAL OR ENGINE NUMBER E107037	

**<https://www.ebooklibonline.com>**

Hello dear friend!

Thank you very much for reading.

Enter the link into your browser.

The full manual is available for immediate download.

**<https://www.ebooklibonline.com>**

Massey Ferguson

7622 TRACTOR ( DYNA 6 ) (B328047 - F302042)

3906349

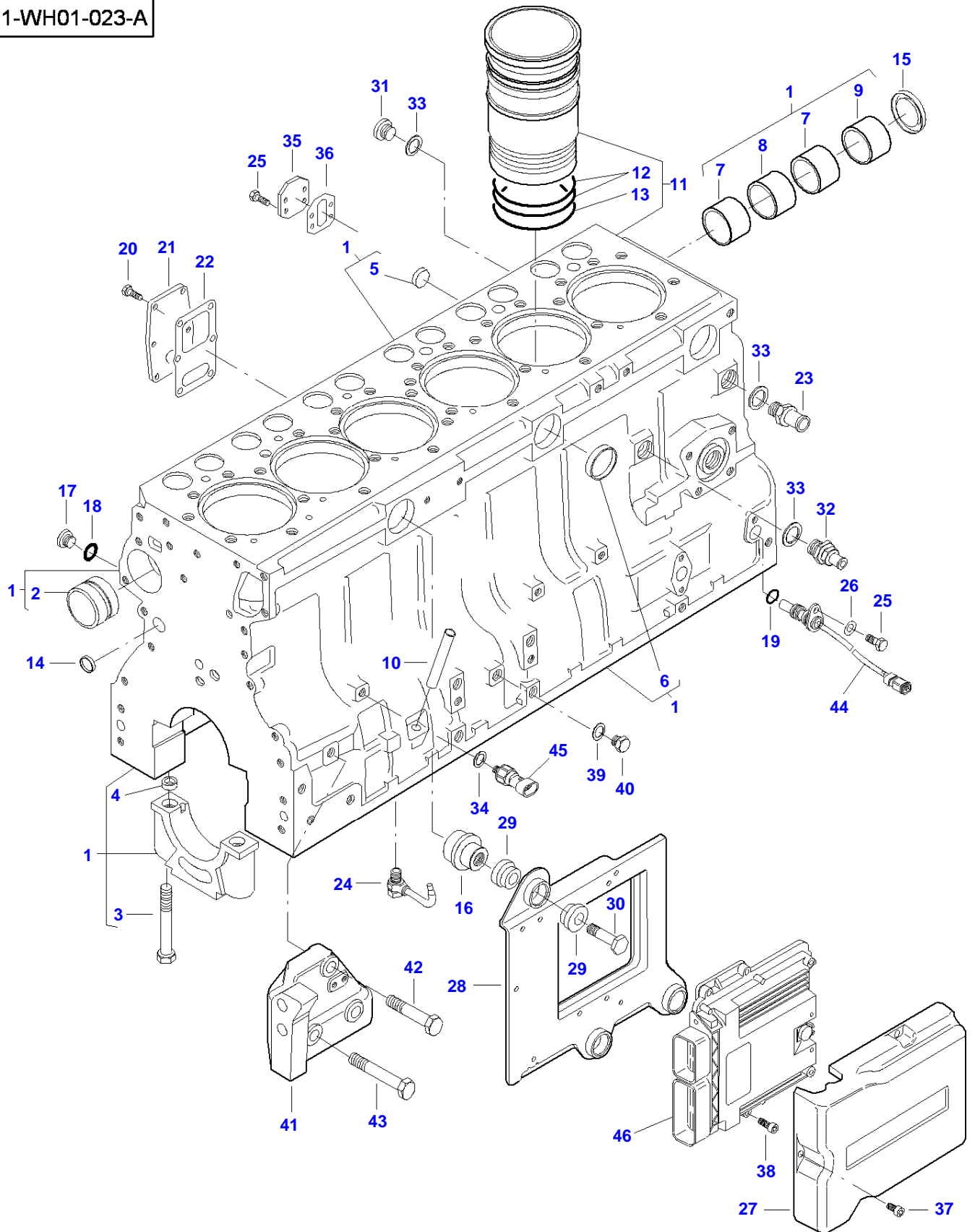
ENGINE & EQUIPMENT

Page01-0001

Item	Part Number	Qty	Description Comments	Technical Specification
			[A] THE APPROPRIATE SAFETY DECALS MUST BE ORDERED AND FITTED TO THIS PART [B] NOT ILLUSTRATED	

MF 762 TRACTOR ( DYNA 6 ) (B328047 - F302042)  
1-WH01-023-A

1-WH01-023-A

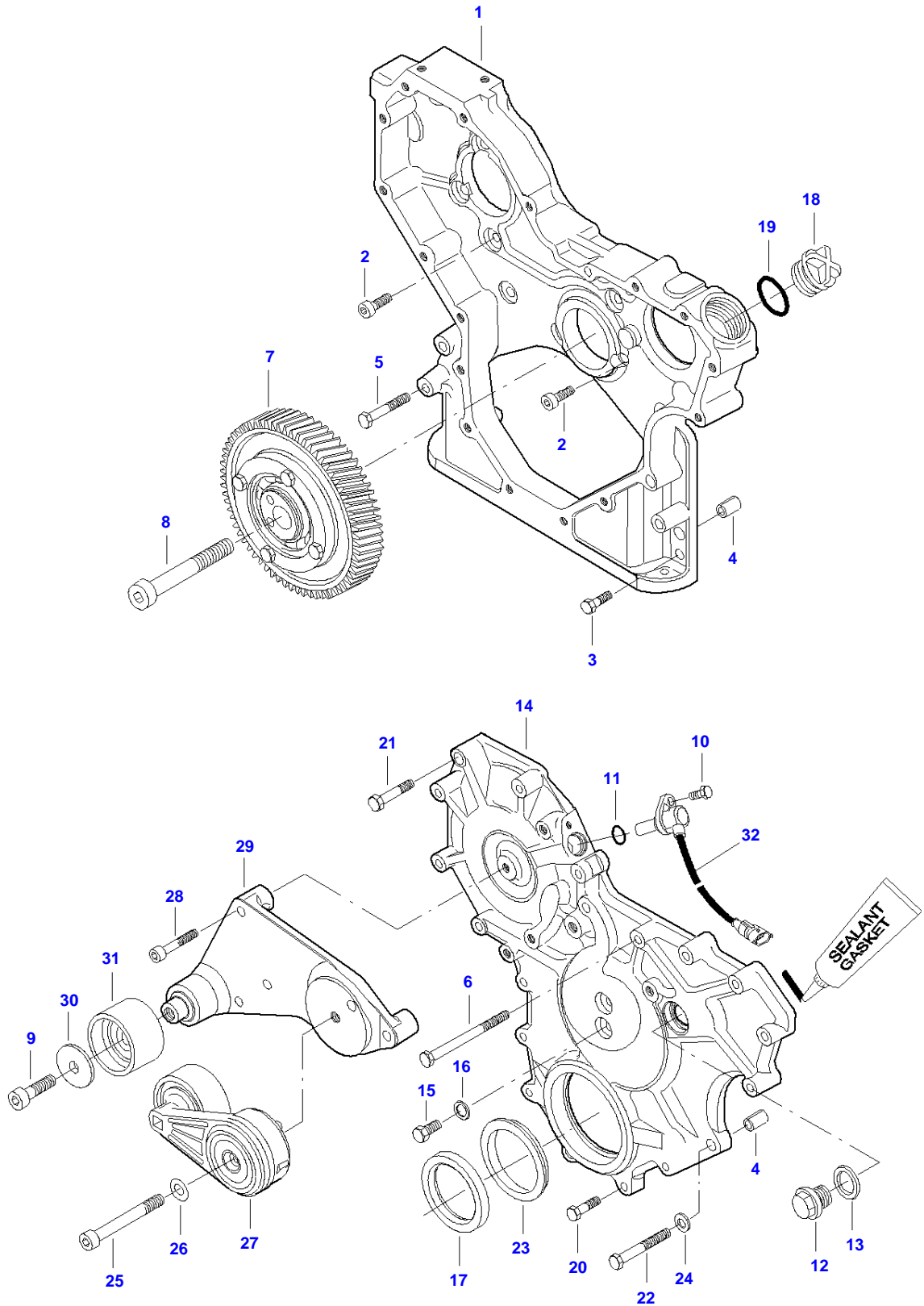


Item	Part Number	Qty	Description Comments
1	V837070103	1	CYLINDER BLOCK
2	V836866069	1	CAMSHAFT BEARING BUSHING (1)
	V836866036	X	CAMSHAFT BEARING BUSHING THICKNESS + 0.4 MM
3	V835329030	14	HEX CAP SCREW (1)
4	V836214478	24	GUIDE SLEEVE (1)
5	V640016018	1	PLUG (1)
6	V640016040	2	PLUG (1)
7	V836852460	2	CAMSHAFT BEARING BUSHING (1)
8	V836852459	1	CAMSHAFT BEARING BUSHING (1)
9	V836852461	1	CAMSHAFT BEARING BUSHING (1)
10	V836666910	1	OIL DIPSTICK GUIDE PIPE
11	V836673191	6	LINER
	V836647933	X	LINER THICKNESS 9.08 MM
	V836647934	X	LINER THICKNESS 9.13 MM
	V836647935	X	LINER THICKNESS 9.23 MM
12	V836647502	12	CYLINDER LINER O-RING (11) [A]
13	V836647503	6	CYLINDER LINER O-RING (11) [A]
14	V640016016	4	PLUG [A]
15	V836852744	1	PLUG
16	V837069057	1	PLUG
17	V640325110	4	PLUG
18	V615871014	4	SEALING WASHER [A]
19	V614601524	1	O-RING
20	V528801380	6	HEX CAP SCREW M8 X 20
21	V836847994	1	FLANGE
22	V836322852	1	GASKET [A]
23	V836119837	1	HOSE COUPLER
24	V837074224	6	PISTON COOLING JET
25	V528801362	5	HEX CAP SCREW
26	V500050840	1	FLAT WASHER
27	V837073901	1	COVER
28	V837073900	1	ECU BRACKET
29	V837074327	6	RUBBER BUSHING
30	V837069056	3	SCREW
31	V640325018	1	PLUG
32	V836664377	1	COCK
33	V615881824	3	SEALING WASHER [A]
34	V615871016	1	SEALING WASHER [A]
35	V836866957	1	COVER
36	V836866958	1	GASKET [A]
37	V581804182	3	HEX SOCKET SCREW M6 X 16
38	V581804202	4	HEX SOCKET SCREW M6 X 20

Item	Part Number	Qty	Description Comments
39	V615881216	1	SEALING WASHER [A]
40	V640045112	1	PLUG
41	V836867635	1	ENGINE MOUNT LEFT HAND
41	V836867636	1	ENGINE MOUNT RIGHT HAND
42	V529902680	4	HEX CAP SCREW M14 X 65
43	V529902720	4	HEX CAP SCREW M14 X 85
44		1	SPEED SENSOR SEE PAGE 01-0017
45		1	OIL PRESS SWITCH SEE PAGE 01-0017
46		1	CONTROL UNIT SEE PAGE 01-0017 <b>[A] INCLUDED IN GASKET SET FOR ENGINE</b>

MF 7622 TRACTOR ( DYNA 6 ) ( B328047 - F302042 )  
1-WH20-016-A

1-WH20-016-A

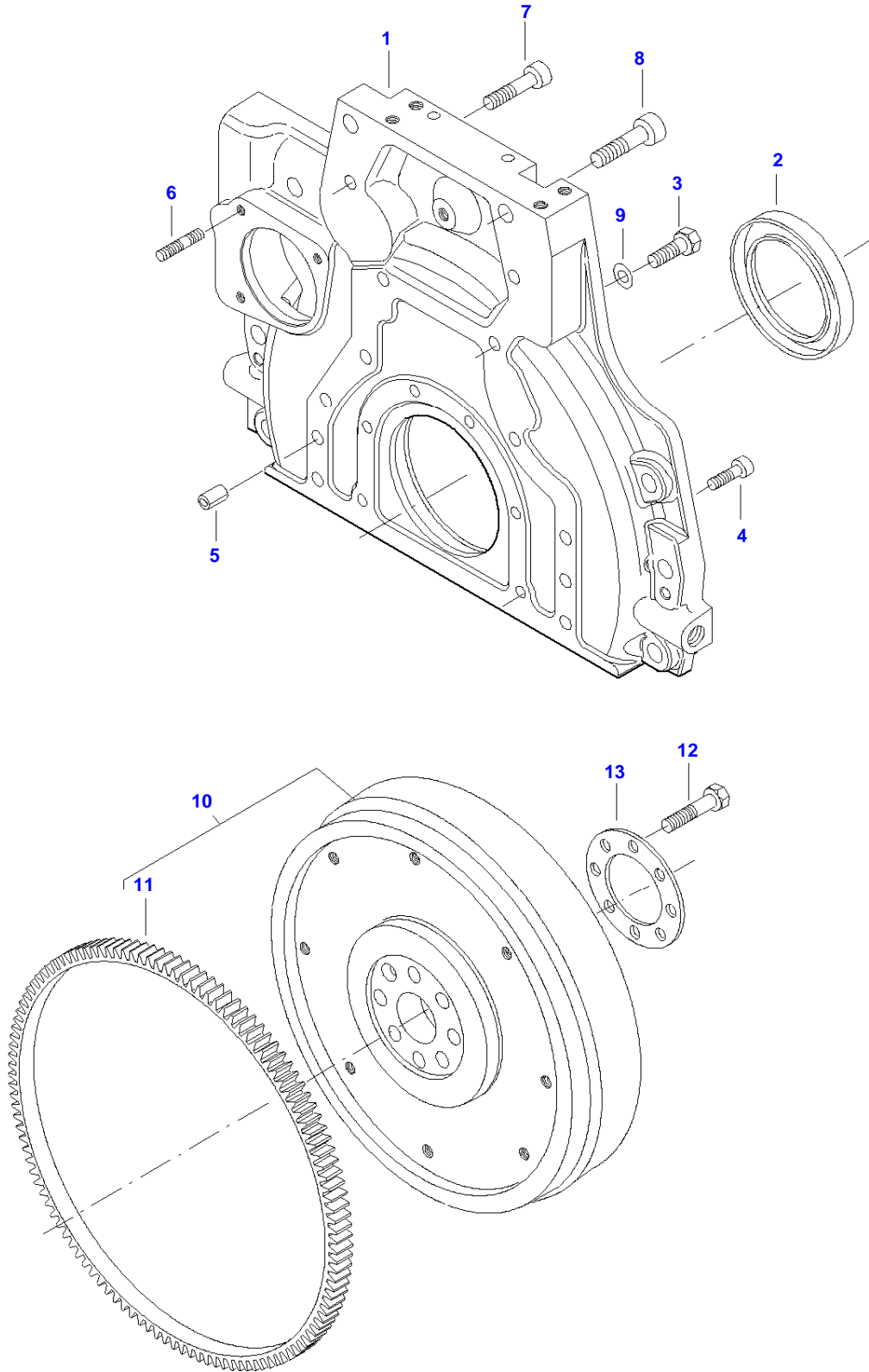


## TIMING GEAR HOUSING

Item	Part Number	Qty	Description Comments
1	V837073565	1	TIMING GEAR CASE
2	V581804600	10	HEX SOCKET SCREW M8 X 20
3	V528801400	2	HEX CAP SCREW M8 X 25
4	V598359850	3	PIN
5	V529801470	3	HEX CAP SCREW M8 X 60
6	V529801540	1	HEX CAP SCREW M8 X 95
7	V837073583	1	IDLER GEAR
8	V581705910	1	HEX SOCKET SCREW M14 X 70
9	V581705430	1	HEX SOCKET SCREW M12 X 30
10	V528801062	1	HEX CAP SCREW M6 X 16
11	V614601718	1	O-RING
12	V640045022	1	PLUG
13	V615882227	1	SEALING WASHER [A]
14	V837073566	1	GEAR HOUSING FRONT COVER
15	V528801380	2	HEX CAP SCREW M8 X 20
16	V615870814	2	SEALING WASHER [A]
17	V836840883	1	CRANKSHAFT SEAL [A]
	V836873100	X	SPACER THICKNESS 3.00 MM
18	V836017927	1	CAP
19	V614603540	1	O-RING [A]
20	V528801410	6	HEX CAP SCREW M8 X 30
21	V529801440	9	HEX CAP SCREW M8 X 45
22	V529801520	1	HEX CAP SCREW M8 X 85
23	V836855636	1	SHIELD
24	V836120989	1	WASHER
25	V581705130	1	HEX SOCKET SCREW M10 X 80
26	V500951000	1	SPRING WASHER
27	V837073101	1	BELT TENSIONER
28	V581804650	4	HEX SOCKET SCREW M8 X 40
29	V837074489	1	RETAINING PLATE
30	V836866312	1	FLANGE
31	V836866321	1	PULLEY
32		1	SPEED SENSOR SEE PAGE 01-0017 <b>[A] INCLUDED IN GASKET SET FOR ENGINE</b>

MF 7622 TRACTOR ( DYNA 6 ) (B328047 - F302042)  
1-WA07-040-A

1-WA07-040-A



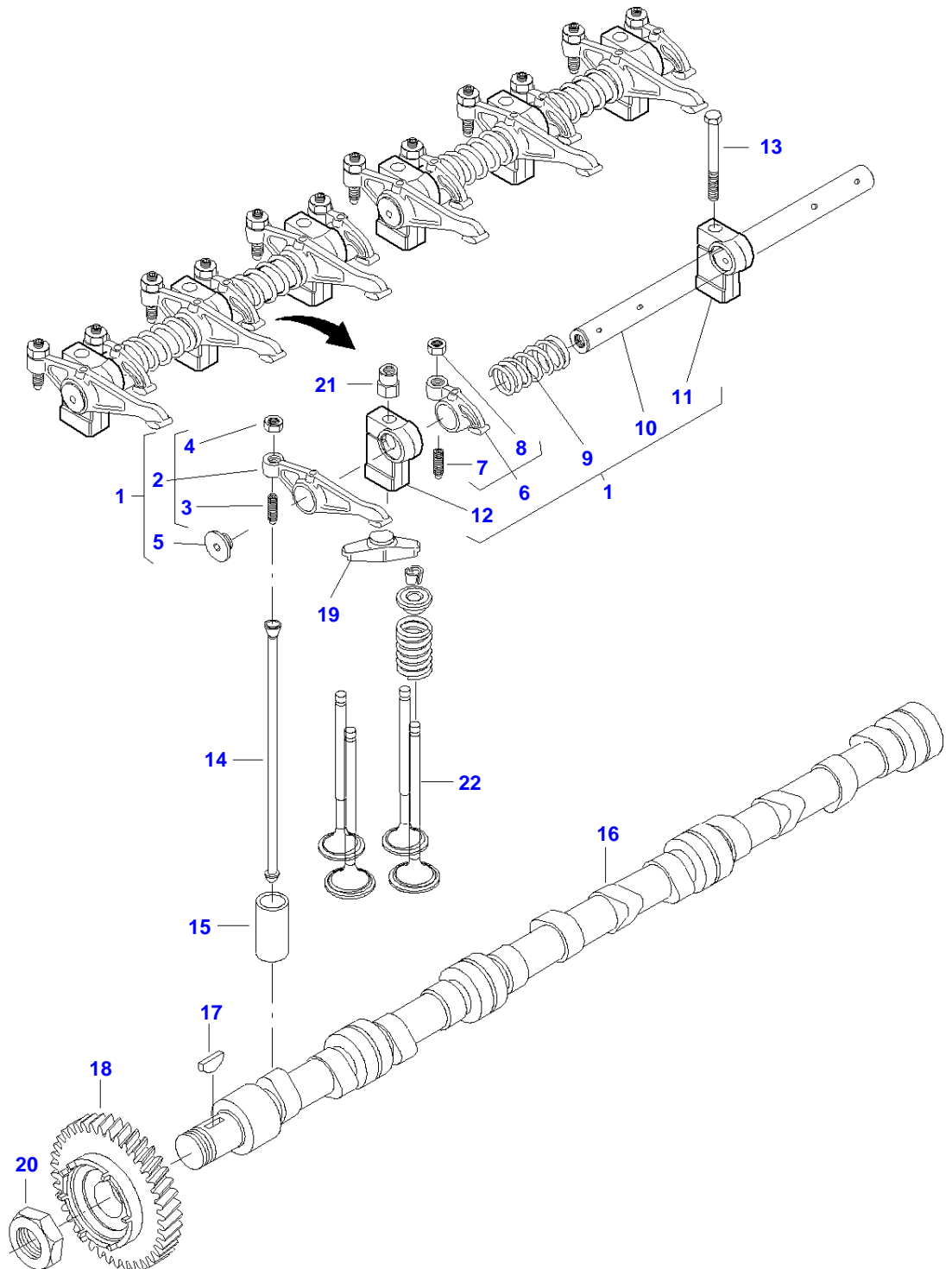
Item	Part Number	Qty	Description Comments
1	V837074188	1	FLYWHEEL HOUSING
2	V614500002	1	CRANKSHAFT SEAL
	V836020054	X	[A] SPACER THICKNESS 2.00 MM
3	V528702220	8	HEX CAP SCREW M12 X 35
4	V581705030	6	HEX SOCKET SCREW M10 X 30
5	V598359850	2	PIN
6	V546801815	3	STUD BOLT M10 X 30
7	V581705470	2	HEX SOCKET SCREW M12 X 50
8	V581706270	2	HEX SOCKET SCREW M16 X 50
9	V500951200	8	SPRING WASHER
10	V836867613	1	FLYWHEEL
11	V836659026	1	STARTER RING (10)
12	V529702250	8	HEX CAP SCREW
13	V836355864	1	RING

[A] INCLUDED IN GASKET SET FOR ENGINE



Item	Part Number	Qty	Description Comments
1	V837073985	1	CRANKSHAFT
2	V836867857	1	KEY (1)
3	V837074082	6	PISTON
4		6	(3) PISTON PIN NOT SERVICED,ORDER Ref. 3
5		12	(3) CIRCLIP NOT SERVICED,ORDER Ref. 3
6	V837079460	6	PISTON RING KIT (3)
7		1	KIT, CONROD NOT SERVICED,ORDER Ref. 28
8	V836864141	12	CONNECTING ROD BOLT (7)
9	V836110646	6	BEARING BUSH (7)
10	V836110552	6	BEARING SHELL STANDARD 67.981-68.000 MM
	V836112762	X	BEARING SHELL 67.731-67.750 MM
	V836112763	X	BEARING SHELL 67.481-67.500 MM
	V836112765	X	BEARING SHELL 66.981-67.000 MM
	V836112767	X	BEARING SHELL 66.481-66.500 MM
11	V836840944	6	MAIN BEARING STANDARD n?1 ... 6 89.985-90.020 MM
	V836840978	X	MAIN BEARING N?1 ... 7 89.735-89.770 MM
	V836840979	X	MAIN BEARING N?1 ... 7 89.485-89.520 MM
	V836840980	X	MAIN BEARING N?1 ... 7 88.985-89.020 MM
	V836840981	X	MAIN BEARING N?1 ... 7 88.485-88.520 MM
12	V836879152	1	MAIN BEARING STANDARD N?7 89.985-90.020 MM
13	V836674069	1	GEAR,CRANKSHAFT
14	V837073560	1	GEAR,CRANKSHAFT
15	V836855637	1	RING
16	V837070178	1	CRANKSHAFT HUB
17	V837070177	1	CRANKSHAFT VIBRATION DAMPENER
18	V836847641	1	CRANKSHAFT NUT
19	V529702250	6	HEX CAP SCREW M12 X 50
20	V836867660	1	CRANKSHAFT PULLEY
21	V836840928	1	CONNECTING ROD KIT
22	V836840945	X	THRUST WASHER STD
	V836840982	X	THRUST WASHER 0.10 MM
	V836840983	X	THRUST WASHER 0.20 MM

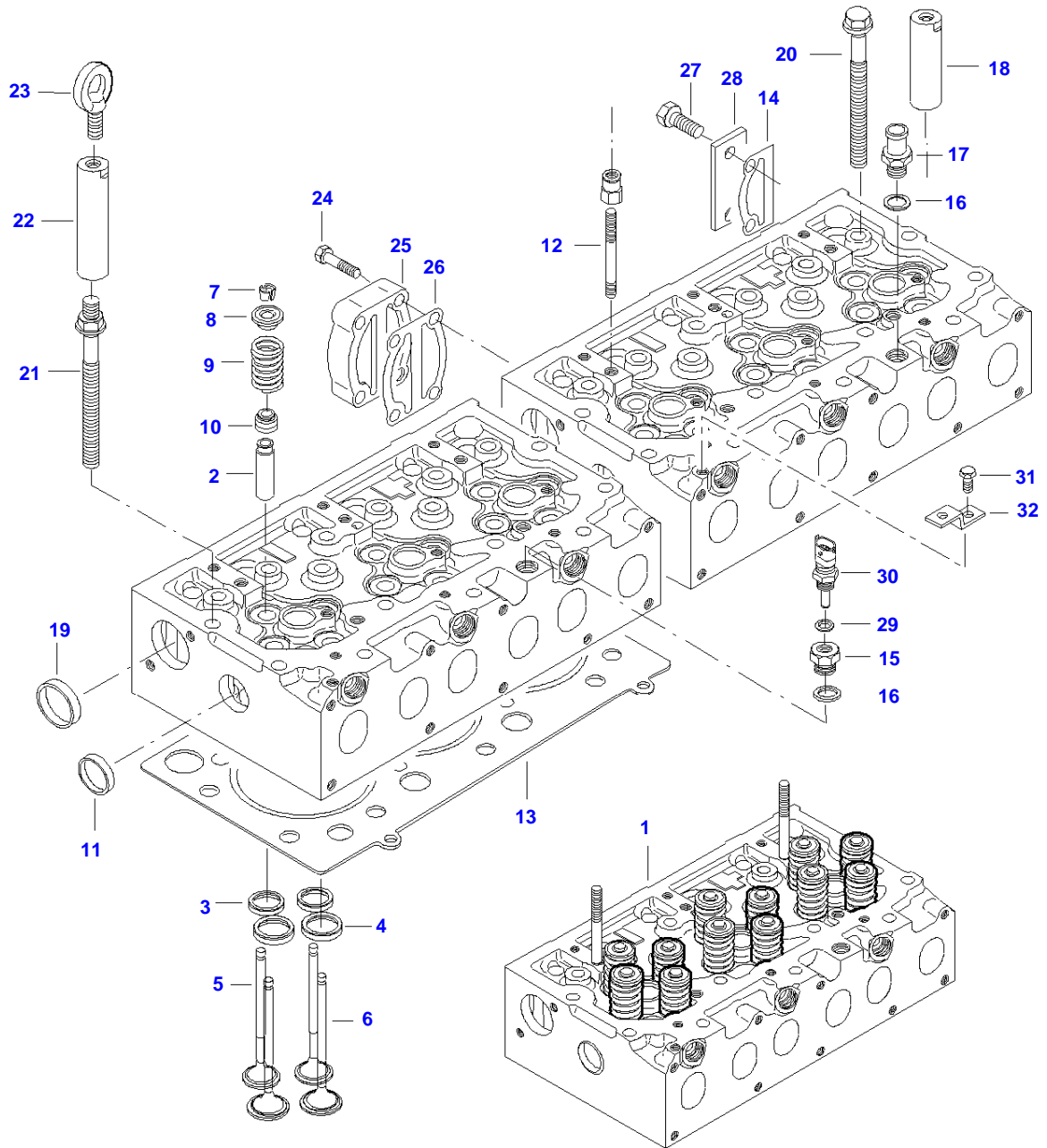
1-WH22-006-A



Item	Part Number	Qty	Description Comments
1	V837069016	2	ROCKER SHAFT ASM
2	V837069011	6	ROCKER ARM (1)
3	V837069023	6	VALVE ROCKER ADJUSTMENT SCREW (2)
4	V512861000	6	NUT (2)
5	V837069020	4	PLUG (1)
6	V837069013	6	ROCKER ARM (1)
7	V837069023	6	VALVE ROCKER ADJUSTMENT SCREW (6)
8	V512861000	6	NUT (6)
9	V837069019	4	SPRING (1)
10	V837069015	2	SHAFT (1)
11	V837069018	2	ROCKER SHAFT BRACKET (1)
12	V837069017	4	ROCKER SHAFT BRACKET (1)
13	V529801910	2	HEX CAP SCREW M10 X 80
14	V837070119	12	PUSH ROD
15	V836014264	12	TAPPET
16	V837069101	1	CAMSHAFT
17	V603305760	1	WOODRUFF KEY
18	V837073562	1	GEAR,CAMSHAFT
19	V837073089	12	VALVE BRIDGE
20	V837069085	1	NUT
21	V836655406	4	NUT
22		1	EXHAUST VALVE SEE PAGE 01-0007

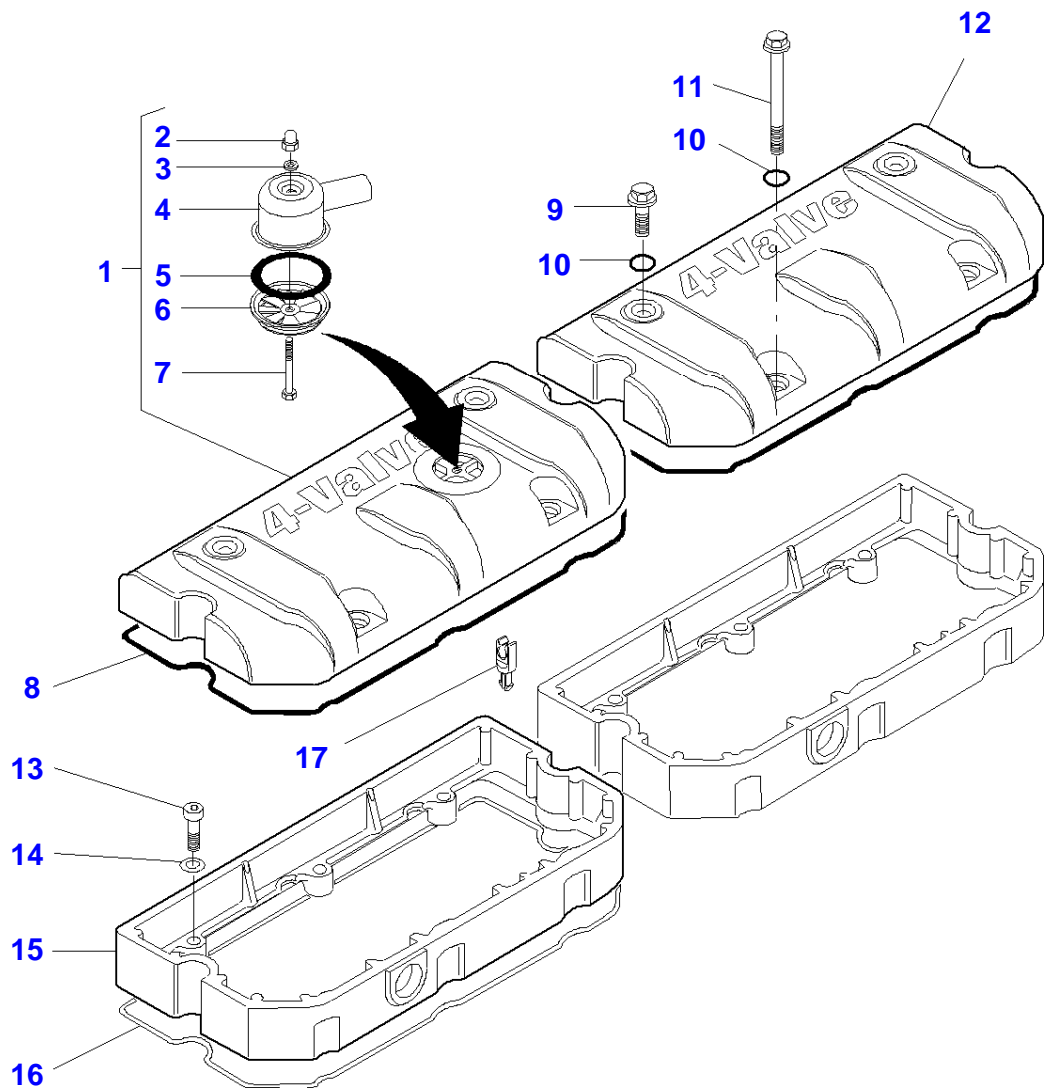
MF 762 TRACTOR ( DYNA 6 ) (B328047 - F302042)  
1-WH03-025-A

1-WH03-025-A



Item	Part Number	Qty	Description Comments
1	V837073233	2	CYLINDER HEAD
2	V837073174	24	VALVE GUIDE (1)
3	V837064907	12	VALVE SEAT (1) [A]
4	V837064908	12	VALVE SEAT (1) [B]
5	V837069002	12	EXHAUST VALVE (1)
6	V837069003	12	INTAKE VALVE (1)
7	V837064910	48	COTTER (1)
8	V837069004	24	SPRING PLATE (1)
9	V837069005	24	VALVE SPRING (1)
10	V837073165	24	VALVE STEM GASKET (1) [D]
11	V836647942	8	PLUG (1)
12	V546801900	4	STUD BOLT (1) M10 X 75
13	V837070290	2	CYLINDER HEAD GASKET [D]
14	V836867753	1	GASKET [D]
15	V836119643	1	THREADED NIPPLE
16	V615881822	2	SEALING WASHER [D]
17	V836119837	1	HOSE COUPLER
18	V836867567	1	LIFTING EYE EXTENSION 86 MM
19	V640016045	2	PLUG
20	V837069025	24	CYLINDER HEAD BOLT
21	V837073571	10	CYLINDER HEAD BOLT
22	V837067791	1	LIFTING EYE EXTENSION 136 MM
23	V836640752	2	LIFT EYE
24	V528801830	4	HEX CAP SCREW M10 X 40
25	V836855348	1	CONNECTION FLANGE
26	V836867752	1	GASKET [D]
27	V528801800	2	HEX CAP SCREW M10 X 25
28	V836855350	1	COVER
29	V615881418	1	SEALING WASHER [D]
30		1	TEMPERATURE SENSOR SEE PAGE 01-0017
31	V528801360	1	HEX CAP SCREW M8 X 16
32	V836747849	1	SUPPORT [A] FOR VALVE EXHAUST [B] FOR VALVE INLET [D] INCLUDED IN GASKET SET FOR CYLINDER HEAD

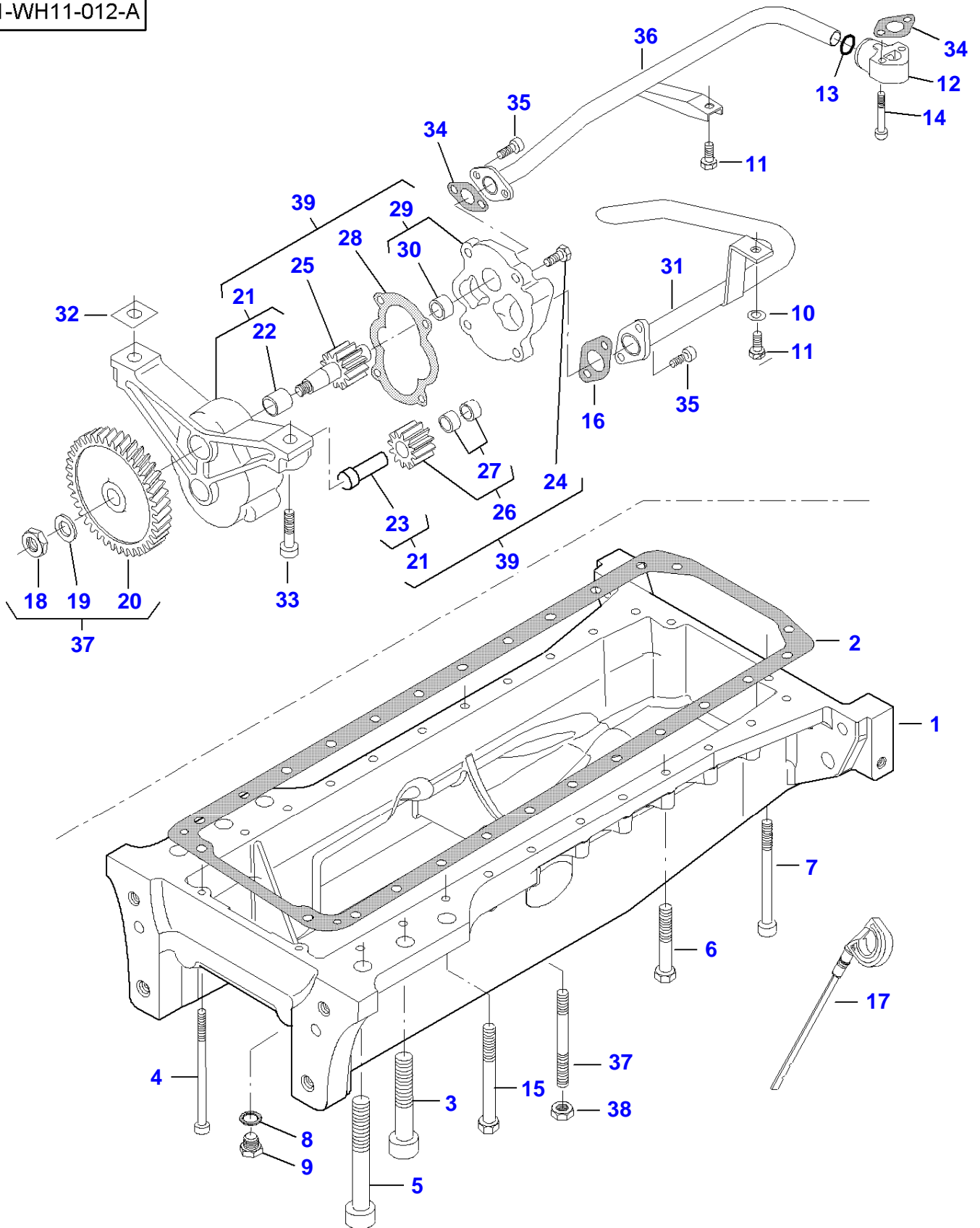
1-WH23-015-A



Item	Part Number	Qty	Description Comments
1	V837070452	1	VALVE ROCKER COVER
2	V519600602	1	NUT (1) M6
3	V836667508	1	SEALING WASHER (1)
4	V837070442	1	BREATHER (1)
5	V836667459	1	GASKET (1)
6	V837070443	1	BREATHER (1)
7	V528801172	1	HEX CAP SCREW (1) M6 X 60
8	V837067881	2	VALVE ROCKER COVER GASKET [A]
9	V540801780	4	HEXAGON FLANGE BOLT M10 X 20
10	V614901030	8	O-RING [A]
11	V540801910	4	HEXAGON FLANGE BOLT M10 X 80
12	V837069022	1	VALVE ROCKER COVER
13	V581804630	6	HEX SOCKET SCREW M8 X 30
14	V500950800	6	SPRING WASHER
15	V837073888	2	VALVE ROCKER COVER FRAME
16	V837067881	2	VALVE ROCKER COVER GASKET [A]
17	V837073227	4	BAND [A] INCLUDED IN GASKET SET FOR CYLINDER HEAD

MF 762 TRACTOR ( DYNA 6 ) (B328047 - F302042)  
1-WH11-012-A

1-WH11-012-A

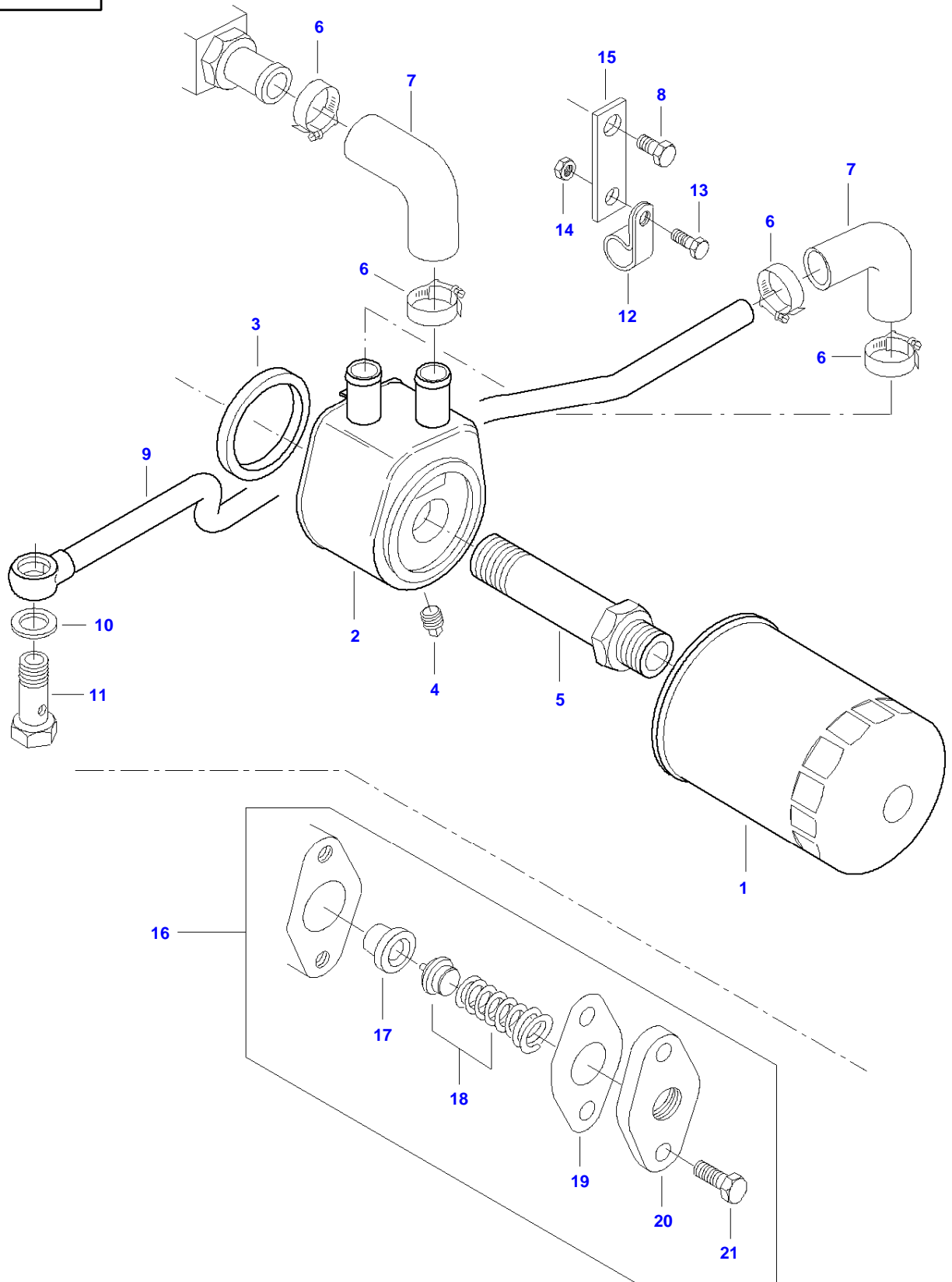


Item	Part Number	Qty	Description Comments
1	V836867805	1	OIL SUMP
2	V836322183	1	OIL SUMP GASKET [A]
3	V581706750	4	HEX SOCKET SCREW M20 X 90
4	V581704830	2	HEX SOCKET SCREW M8 X 160
5	V581706790	2	HEX SOCKET SCREW M20 X 120
6	V529701880	8	HEX CAP SCREW M10 X 65
7	V581705210	2	HEX SOCKET SCREW M10 X 140
8	V615881827	1	SEALING WASHER [A]
9	V836655493	1	PLUG M18
10	V500150840	1	WASHER
11	V528801362	2	HEX CAP SCREW M8 X 16
12	V836866563	1	CONNECTOR
13	V614702230	1	O-RING
14	V581804680	2	HEX SOCKET SCREW M8 X 55
15	V581705180	6	HEX SOCKET SCREW M10 X 110
16	V836338201	1	GASKET [A]
17	V836866909	1	DIPSTICK
18	V504861000	1	NUT (39) M10
19	V836122910	1	WASHER (39)
20	V836338667	1	GEAR (39)
21		1	(39) FRAME NOT SERVICED,ORDER REF. 39
22	V836322909	1	BUSHING (21)
23	V836322906	1	OIL PUMP SHAFT (21)
24	V528801380	4	HEX CAP SCREW (39) M8 X 20
25	V836338182	1	OIL PUMP SHAFT (39)
26	V836338180	1	GEAR,OIL PUMP (39)
27	V836322909	2	BUSHING (26)
28	V836338188	1	GASKET (39) [A]
29	V836855297	1	COVER (39)
30	V836322909	1	BUSHING (29)
31	V836866893	1	OIL PUMP SUCTION PIPE
32	V836007871	X	SHIM
33	V581805050	2	HEX SOCKET SCREW M10 X 40
34	V836008449	2	GASKET [A]
35	V581804602	4	HEX SOCKET SCREW M8 X 20
36	V836866569	1	OIL PIPE

<b>Item</b>	<b>Part Number</b>	<b>Qty</b>	<b>Description Comments</b>
37	V546701880	8	STUD BOLT M10 X 65
38	V504801000	8	NUT M10
39	V836855300	1	LUBRICATING OIL PUMP <b>[A] INCLUDED IN GASKET SET FOR ENGINE</b>

MF 7622 TRACTOR ( DYNA 6 ) (B328047 - F302042)  
1-WH26-009-A

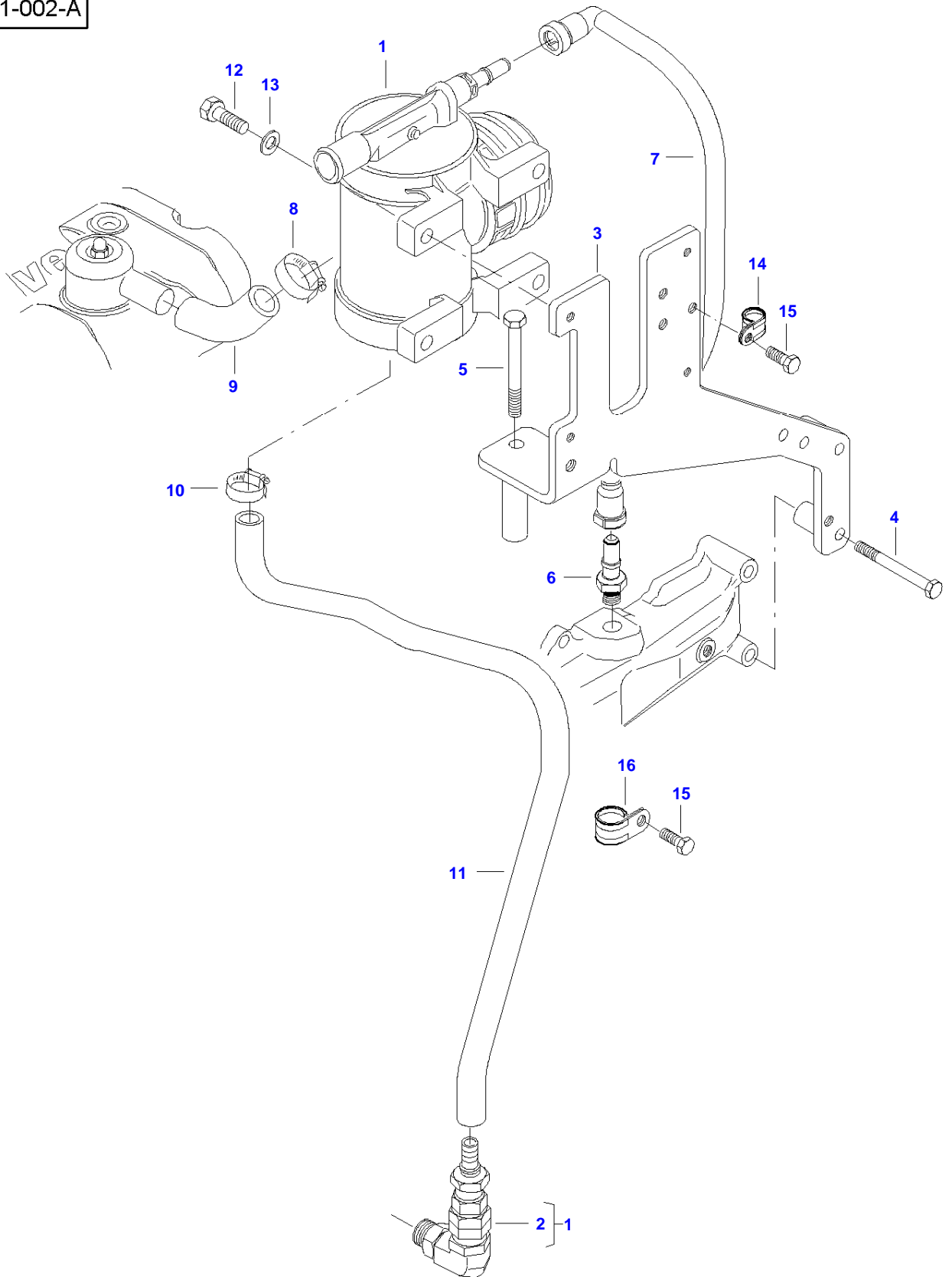
1-WH26-009-A



Item	Part Number	Qty	Description Comments
1	V836679586	1	ENGINE OIL FILTER
2	V836859699	1	OIL COOLER
3	V836862235	1	SEAL (2)
4	V640004004	1	PLUG (2)
5	V836859700	1	UNION
6	V602079516	4	HOSE CLIP
7	V836859899	2	RUBBER ELBOW
8	V528801760	1	HEX CAP SCREW M10 X 16
9	V837070173	1	PIPE
10	V615881822	2	SEALING WASHER [A]
11	V640435015	1	BANJO BOLT
12	V602074615	1	HOSE CLIP
13	V528801380	1	HEX CAP SCREW M8 X 20
14	V504800800	1	NUT M8
15	V837070143	1	SUPPORT
16	V837079484	1	OIL PRESSURE CONTROL VALVE
17	V836659521	1	VALVE SEAT (16)
18	V836667650	1	SPRING ASSEMBLY (16)
19	V836322190	1	GASKET (16) [A]
20	V837074289	1	COVER (16)
21	V528801380	2	HEX CAP SCREW (16) M8 X 20 [A] INCLUDED IN GASKET SET FOR ENGINE

MF 7622 TRACTOR ( DYNA 6 ) ( B328047 - F302042 )  
1-WH31-002-A

1-WH31-002-A





**Suggest:**

**For more complete manuals. Please go to the home page.**

**<https://www.ebooklibonline.com>**

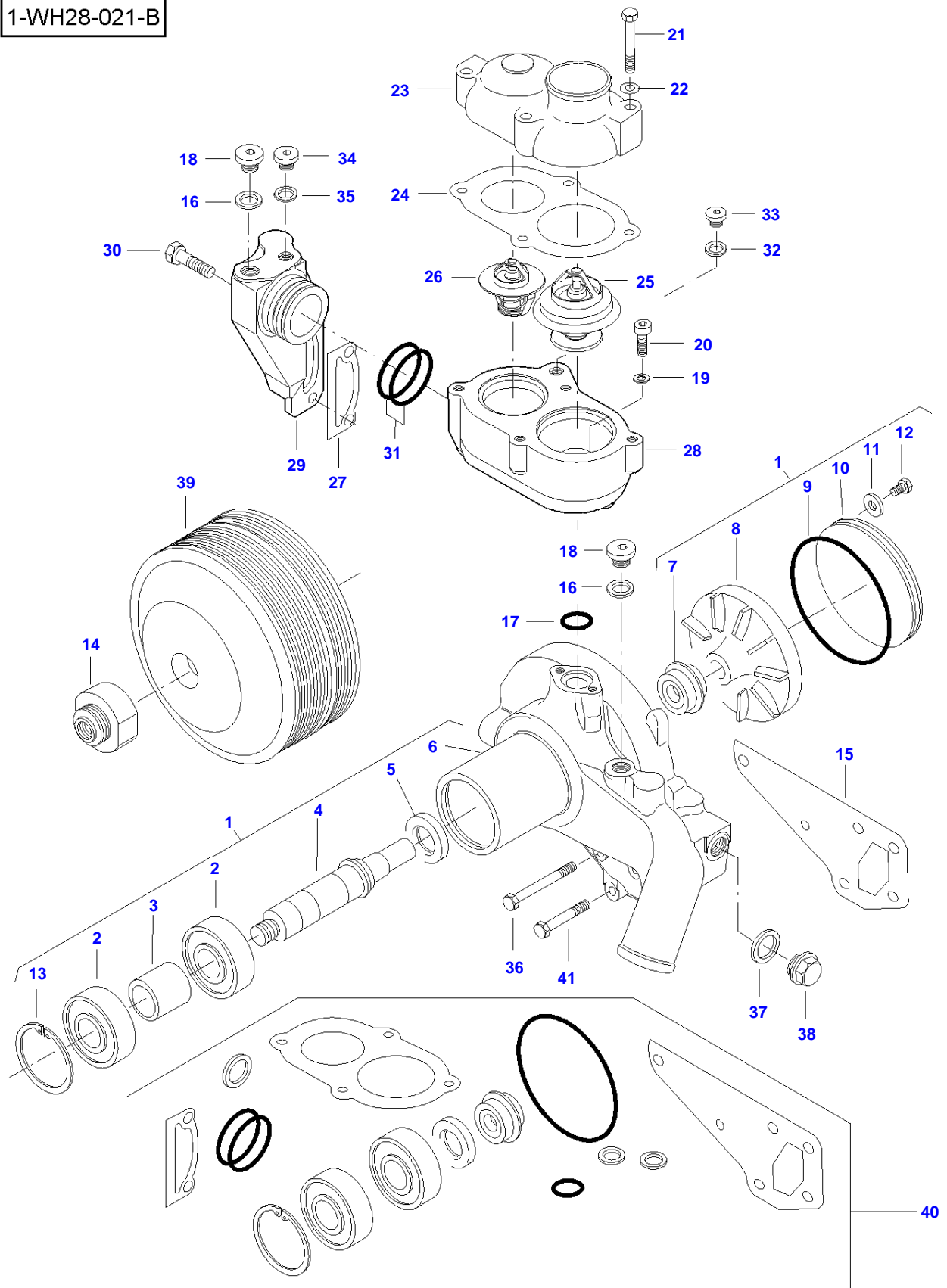
**If the above button click is invalid. Please download this document first, and then click the above link to download the complete manual.**

**Thank you so much for reading**

<b>Item</b>	<b>Part Number</b>	<b>Qty</b>	<b>Description Comments</b>
1	V837074160	1	CCV FILTER
2	V837074234	1	CHECK VALVE (1)
3	V837074328	1	BRACKET
4	V529801550	2	HEX CAP SCREW M8 X 100
5	V529801950	1	HEX CAP SCREW M10 X 100
6	V837067936	1	QUICK COUPLER 7/16"
7	V837074303	1	HOSE
8	V602090544	2	HOSE CLIP
9	V837074038	1	RUBBER HOSE
10	V602087528	2	HOSE CLIP
11	V837074329	1	HOSE
12	V528801410	4	HEX CAP SCREW M8 X 30
13	V500150842	4	WASHER
14	V602060615	1	RETAINER CLAMP
15	V528801360	2	HEX CAP SCREW M8 X 16
16	V602074522	1	HOSE CLIP

MF 7622 TRACTOR ( DYNA 6 ) (B328047 - F302042)  
1-WH28-021-B

1-WH28-021-B



**<https://www.ebooklibonline.com>**

Hello dear friend!

Thank you very much for reading.

Enter the link into your browser.

The full manual is available for immediate download.

**<https://www.ebooklibonline.com>**