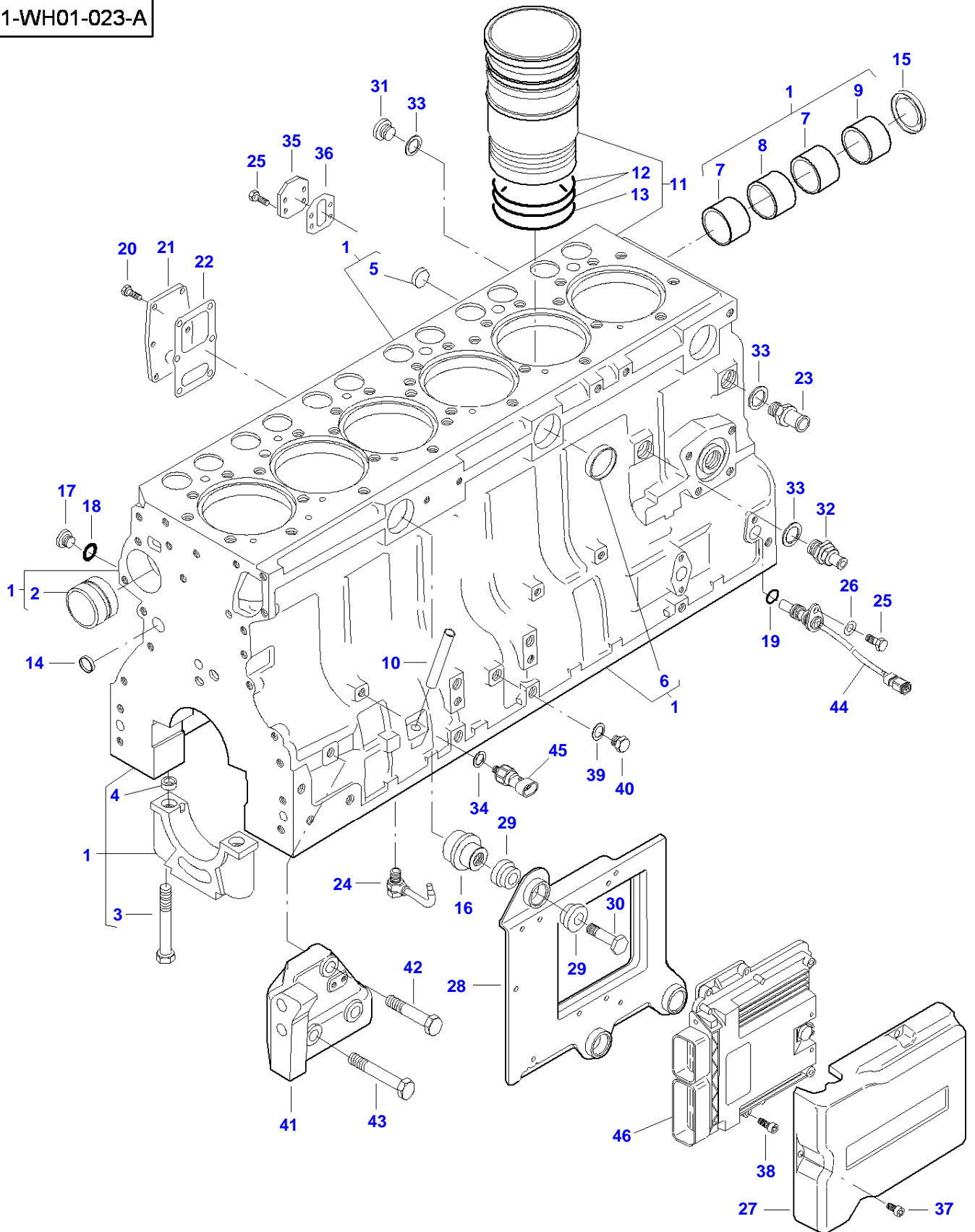


| Page Number | Page Title | Page Reference |
|--------------------|---------------------------------|-----------------------|
| 01-000-TOC | ENGINE, FUEL AND EXHAUST SYSTEM | 01-000-TOC |
| 02-000-TOC | AXLES | 02-000-TOC |
| 03-000-TOC | DRIVE TRAIN SYSTEM | 03-000-TOC |
| 04-000-TOC | HYDRAULIC SYSTEM | 04-000-TOC |
| 05-000-TOC | ELECTRICAL SYSTEM | 05-000-TOC |
| 06-000-TOC | CAB | 06-000-TOC |
| 07-000-TOC | CHASSIS | 07-000-TOC |
| 08-000-TOC | WHEELS | 08-000-TOC |
| 09-000-TOC | IMPLEMENT DRIVE SYSTEM | 09-000-TOC |
| 10-000-TOC | LINKAGE | 10-000-TOC |
| 11-000-TOC | ACCESSORIES | 11-000-TOC |
| 12-000-TOC | GENERAL INFORMATION | 12-000-TOC |

MF 7616 TRACTOR (DYNA 6)
CYLINDER-BLOCK

1-WH01-023-A



| Item | Part Number | Qty | Description Comments |
|------|-------------|-----|---|
| 1 | V837070103 | 1 | CYLINDER BLOCK |
| 2 | V836866069 | 1 | CAMSHAFT BEARING BUSHING (1) |
| | V836866036 | X | CAMSHAFT BEARING BUSHING THICKNESS + 0.4 MM |
| 3 | V835329030 | 14 | HEX CAP SCREW (1) |
| 4 | V836214478 | 24 | GUIDE SLEEVE (1) |
| 5 | V640016018 | 1 | PLUG (1) |
| 6 | V640016040 | 2 | PLUG (1) |
| 7 | V836852460 | 2 | CAMSHAFT BEARING BUSHING (1) |
| 8 | V836852459 | 1 | CAMSHAFT BEARING BUSHING (1) |
| 9 | V836852461 | 1 | CAMSHAFT BEARING BUSHING (1) |
| 10 | V836666910 | 1 | OIL DIPSTICK GUIDE PIPE |
| 11 | V836673191 | 6 | LINER |
| | V836647933 | X | LINER THICKNESS 9.08 MM |
| | V836647934 | X | LINER THICKNESS 9.13 MM |
| | V836647935 | X | LINER THICKNESS 9.23 MM |
| 12 | V836647502 | 12 | CYLINDER LINER O-RING (11) [A] |
| 13 | V836647503 | 6 | CYLINDER LINER O-RING (11) [A] |
| 14 | V640016016 | 4 | PLUG [A] |
| 15 | V836852744 | 1 | PLUG |
| 16 | V837069057 | 1 | PLUG |
| 17 | V640325110 | 4 | PLUG |
| 18 | V615871014 | 4 | SEALING WASHER [A] |
| 19 | V614601524 | 1 | O-RING |
| 20 | V528801380 | 6 | HEX CAP SCREW M8 X 20 |
| 21 | V836847994 | 1 | FLANGE |
| 22 | V836322852 | 1 | GASKET [A] |
| 23 | V836119837 | 1 | HOSE COUPLER |
| 24 | V837074224 | 6 | PISTON COOLING JET |
| 25 | V528801362 | 5 | HEX CAP SCREW |
| 26 | V500050840 | 1 | FLAT WASHER |
| 27 | V837073901 | 1 | COVER |
| 28 | V837073900 | 1 | ECU BRACKET |
| 29 | V837074327 | 6 | RUBBER BUSHING |
| 30 | V837069056 | 3 | SCREW |
| 31 | V640325018 | 1 | PLUG |
| 32 | V836664377 | 1 | COCK |
| 33 | V615881824 | 3 | SEALING WASHER [A] |
| 34 | V615871016 | 1 | SEALING WASHER [A] |
| 35 | V836866957 | 1 | COVER |
| 36 | V836866958 | 1 | GASKET [A] |
| 37 | V581804182 | 3 | HEX SOCKET SCREW M6 X 16 |
| 38 | V581804202 | 4 | HEX SOCKET SCREW M6 X 20 |

<https://www.ebooklibonline.com>

Hello dear friend!

Thank you very much for reading.

Enter the link into your browser.

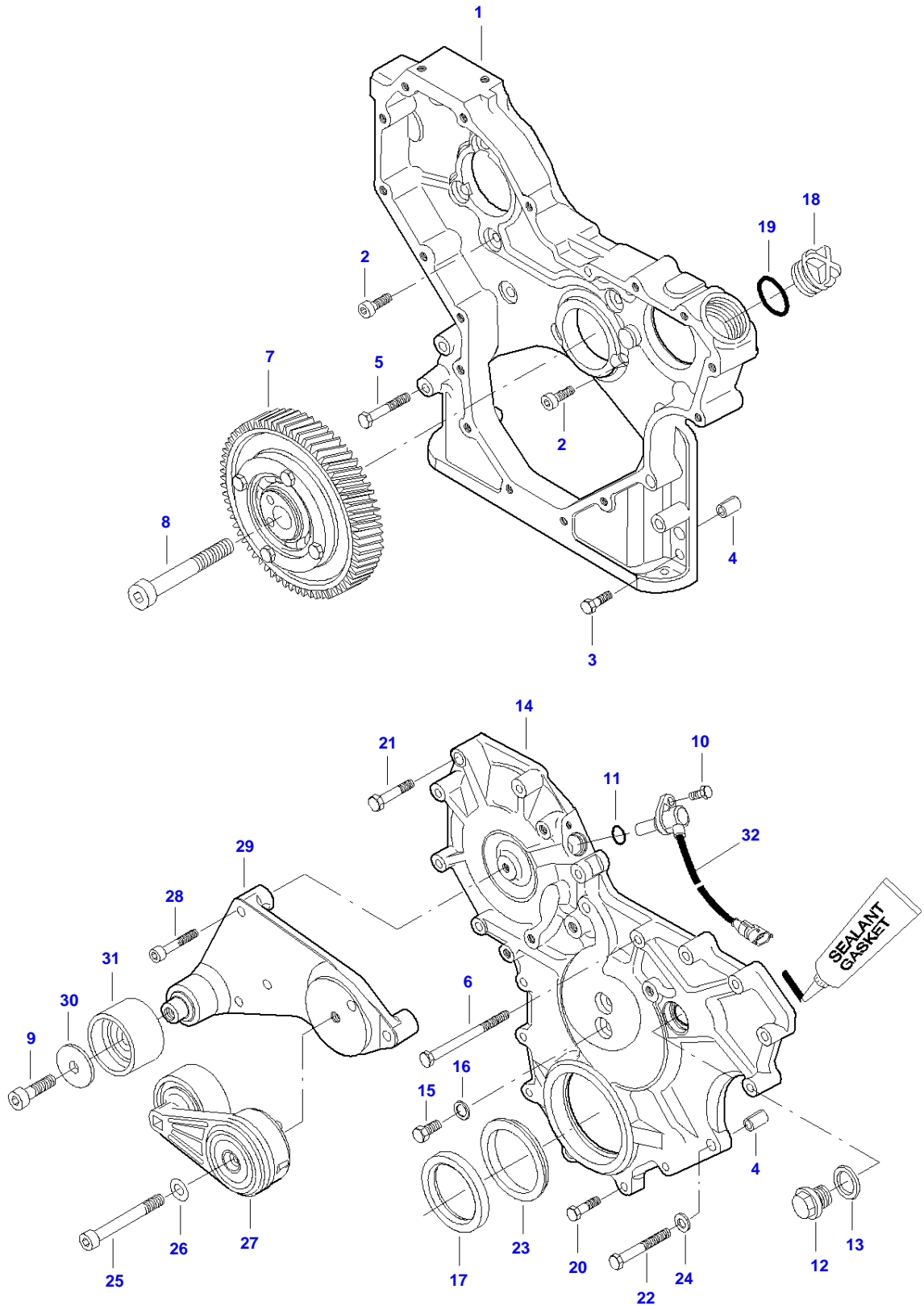
The full manual is available for immediate download.

<https://www.ebooklibonline.com>

| Item | Part Number | Qty | Description Comments |
|------|-------------|-----|--|
| 39 | V615881216 | 1 | SEALING WASHER [A] |
| 40 | V640045112 | 1 | PLUG |
| 41 | V836867635 | 1 | ENGINE MOUNT LEFT HAND |
| 41 | V836867636 | 1 | ENGINE MOUNT RIGHT HAND |
| 42 | V529902680 | 4 | HEX CAP SCREW M14 X 65 |
| 43 | V529902720 | 4 | HEX CAP SCREW M14 X 85 |
| 44 | | 1 | SPEED SENSOR SEE PAGE 01-0022 |
| 45 | | 1 | OIL PRESS SWITCH SEE PAGE 01-0022 |
| 46 | | 1 | CONTROL UNIT SEE PAGE 01-0022 [A] INCLUDED IN GASKET SET FOR ENGINE |

MF 7616 TRACTOR (DYNA 6)
TIMING GEAR HOUSING

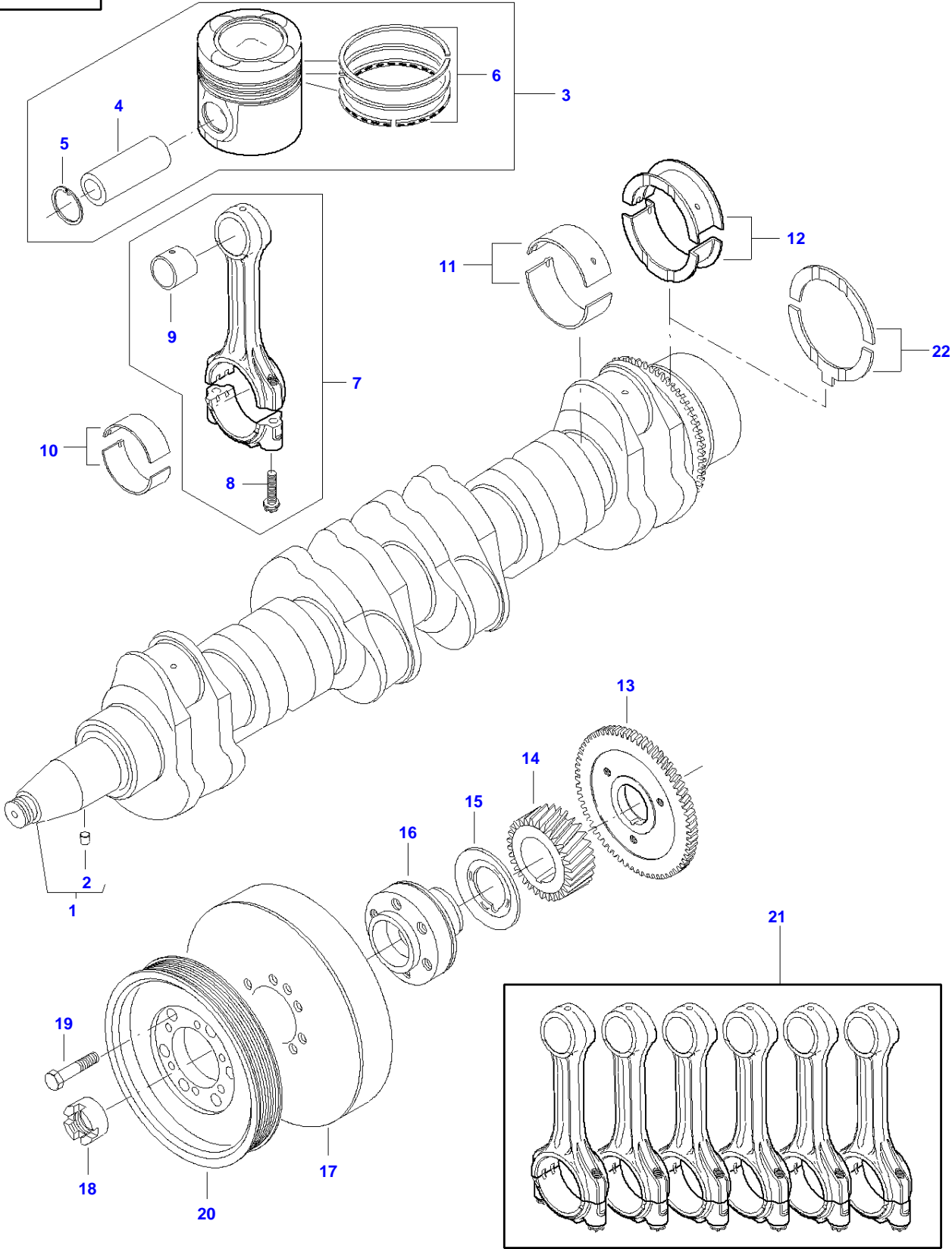
1-WH20-016-A



| Item | Part Number | Qty | Description Comments |
|------|-------------|-----|---|
| 1 | V837073565 | 1 | TIMING GEAR CASE |
| 2 | V581804600 | 10 | HEX SOCKET SCREW M8 X 20 |
| 3 | V528801400 | 2 | HEX CAP SCREW M8 X 25 |
| 4 | V598359850 | 3 | PIN |
| 5 | V529801470 | 3 | HEX CAP SCREW M8 X 60 |
| 6 | V529801540 | 1 | HEX CAP SCREW M8 X 95 |
| 7 | V837073583 | 1 | IDLER GEAR |
| 8 | V581705910 | 1 | HEX SOCKET SCREW M14 X 70 |
| 9 | V581705430 | 1 | HEX SOCKET SCREW M12 X 30 |
| 10 | V528801062 | 1 | HEX CAP SCREW M6 X 16 |
| 11 | V614601718 | 1 | O-RING |
| 12 | V640045022 | 1 | PLUG |
| 13 | V615882227 | 1 | SEALING WASHER [A] |
| 14 | V837073566 | 1 | GEAR HOUSING FRONT COVER |
| 15 | V528801380 | 2 | HEX CAP SCREW M8 X 20 |
| 16 | V615870814 | 2 | SEALING WASHER [A] |
| 17 | V836840883 | 1 | CRANKSHAFT SEAL [A] |
| | V836873100 | X | SPACER THICKNESS 3.00 MM |
| 18 | V836017927 | 1 | CAP |
| 19 | V614603540 | 1 | O-RING [A] |
| 20 | V528801410 | 6 | HEX CAP SCREW M8 X 30 |
| 21 | V529801440 | 9 | HEX CAP SCREW M8 X 45 |
| 22 | V529801520 | 1 | HEX CAP SCREW M8 X 85 |
| 23 | V836855636 | 1 | SHIELD |
| 24 | V836120989 | 1 | WASHER |
| 25 | V581705130 | 1 | HEX SOCKET SCREW M10 X 80 |
| 26 | V500951000 | 1 | SPRING WASHER |
| 27 | V837073101 | 1 | BELT TENSIONER |
| 28 | V581804650 | 4 | HEX SOCKET SCREW M8 X 40 |
| 29 | V837074489 | 1 | RETAINING PLATE |
| 30 | V836866312 | 1 | FLANGE |
| 31 | V836866321 | 1 | ROLLER |
| 32 | | 1 | SPEED SENSOR SEE PAGE 01-0022 [A] INCLUDED IN GASKET SET FOR ENGINE |

MF 7616 TRACTOR (DYNA 6)
CRANKSHAFT, PISTONS & PISTON ROD

1-WH02-027-A

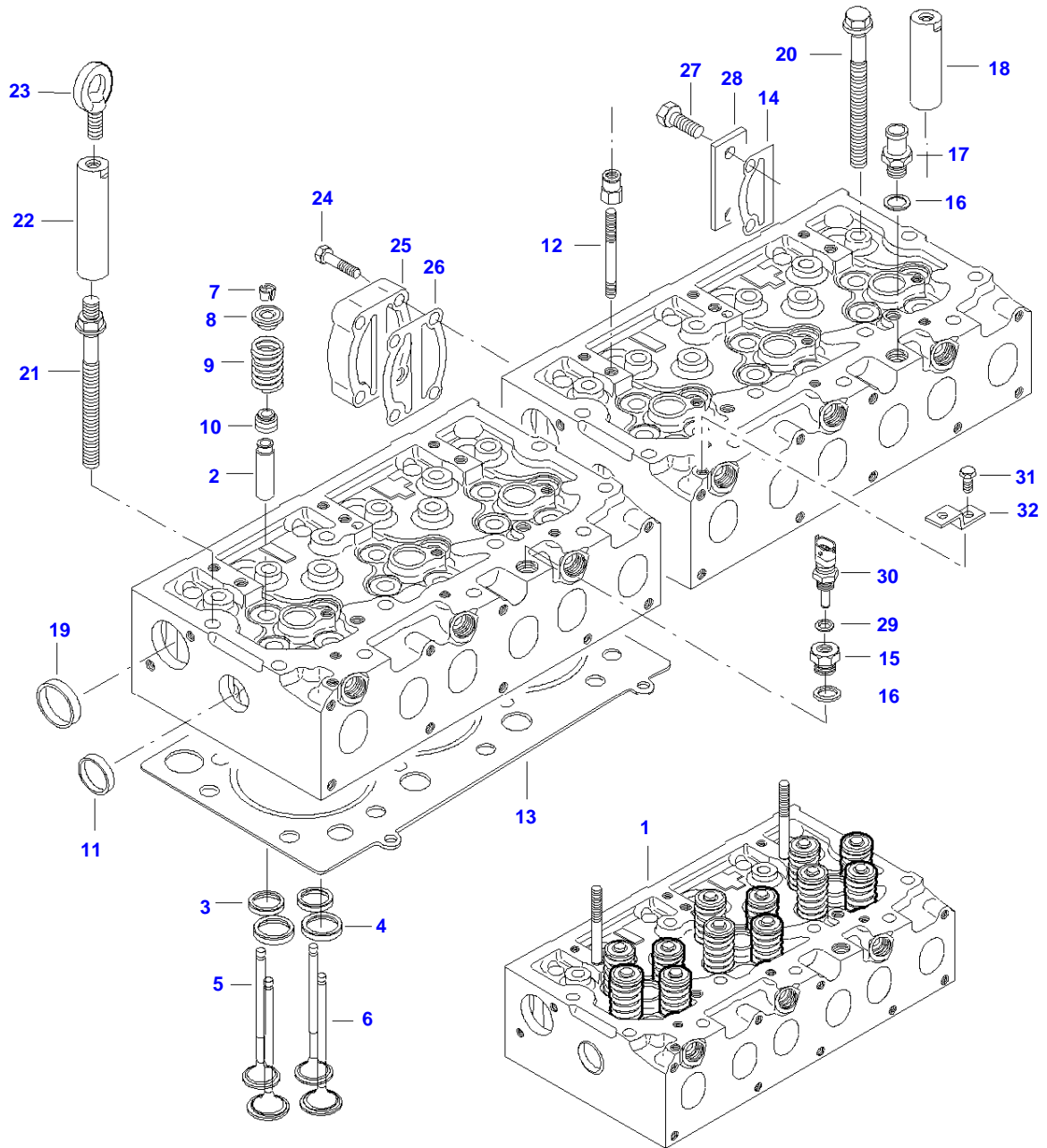


| Item | Part Number | Qty | Description Comments |
|------|-------------|-----|---|
| 1 | V837073983 | 1 | CRANKSHAFT |
| 2 | V836867857 | 1 | KEY |
| 3 | V837074081 | 6 | PISTON |
| 4 | | 6 | (3) PISTON PIN NOT SERVICED,ORDER Ref. 3 |
| 5 | | 12 | (3) CIRCLIP NOT SERVICED,ORDER Ref. 3 |
| 6 | V837079460 | 6 | PISTON RING KIT |
| 7 | | 1 | (3) KIT, CONROD NOT SERVICED,ORDER Ref. 28 |
| 8 | V836864141 | 12 | SCREW SPECIAL |
| 9 | V836110646 | 6 | BEARING BUSH |
| 10 | V836110552 | 6 | CONROD BEARING STANDARD 67.981-68.000 MM |
| | V836112762 | X | BEARING SHELL 67.731-67.750 MM |
| | V836112763 | X | BEARING SHELL 67.481-67.500 MM |
| | V836112765 | X | CONROD BEARING 66.981-67.000 MM |
| | V836112767 | X | CONROD BEARING 66.481-66.500 MM |
| 11 | V836840944 | 6 | MAIN BEARING STANDARD n?1 ... 6 89.985-90.020 MM |
| | V836840978 | X | MAIN BEARING N?1 ... 7 89.735-89.770 MM |
| | V836840979 | X | MAIN BEARING N?1 ... 7 89.485-89.520 MM |
| | V836840980 | X | MAIN BEARING N?1 ... 7 88.985-89.020 MM |
| | V836840981 | X | MAIN BEARING N?1 ... 7 88.485-88.520 MM |
| 12 | V836879152 | 1 | MAIN BEARING STANDARD N?7 89.985-90.020 MM |
| 13 | V836674069 | 1 | GEAR,CRANKSHAFT |
| 14 | V837073560 | 1 | GEAR,CRANKSHAFT |
| 15 | V836855637 | 1 | RING |
| 16 | V837070178 | 1 | CRANKSHAFT HUB |
| 17 | V837070177 | 1 | DAMPER |
| 18 | V836847641 | 1 | CRANKSHAFT NUT |
| 19 | V529702250 | 6 | HEX CAP SCREW M12 X 50 |
| 20 | V836867660 | 1 | PULLEY |
| 21 | V836840928 | 1 | CONNECTING ROD KIT |
| 22 | V836840945 | X | THRUST WASHER STD |
| | V836840982 | X | THRUST WASHER 0.10 MM |
| | V836840983 | X | THRUST WASHER 0.20 MM |

| Item | Part Number | Qty | Description Comments |
|------|-------------|-----|--------------------------------------|
| 1 | V837069016 | 2 | ROCKER SHAFT ASM |
| 2 | V837069011 | 6 | ROCKER ARM (1) |
| 3 | V837069023 | 6 | VALVE ROCKER ADJUSTMENT SCREW (2) |
| 4 | V512861000 | 6 | NUT (2) |
| 5 | V837069020 | 4 | PLUG (1) |
| 6 | V837069013 | 6 | ROCKER ARM (1) |
| 7 | V837069023 | 6 | VALVE ROCKER ADJUSTMENT SCREW (6) |
| 8 | V512861000 | 6 | NUT (6) |
| 9 | V837069019 | 4 | SPRING (1) |
| 10 | V837069015 | 2 | SHAFT (1) |
| 11 | V837069018 | 2 | ROCKER SHAFT BRACKET (1) |
| 12 | V837069017 | 4 | ROCKER SHAFT BRACKET (1) |
| 13 | V529801910 | 2 | HEX CAP SCREW M10 X 80 |
| 14 | V837070119 | 12 | PUSH ROD |
| 15 | V836014264 | 12 | TAPPET |
| 16 | V837069101 | 1 | CAMSHAFT |
| 17 | V603305760 | 1 | WOODRUFF KEY |
| 18 | V837073562 | 1 | GEAR,CAMSHAFT |
| 19 | V837073089 | 12 | GUIDE |
| 20 | V837069085 | 1 | NUT |
| 21 | V836655406 | 4 | HEX NUT |
| 22 | | 1 | EXHAUST VALVE SEE PAGE 01-0010 |

MF 7616 TRACTOR (DYNA 6)
CYLINDER HEAD

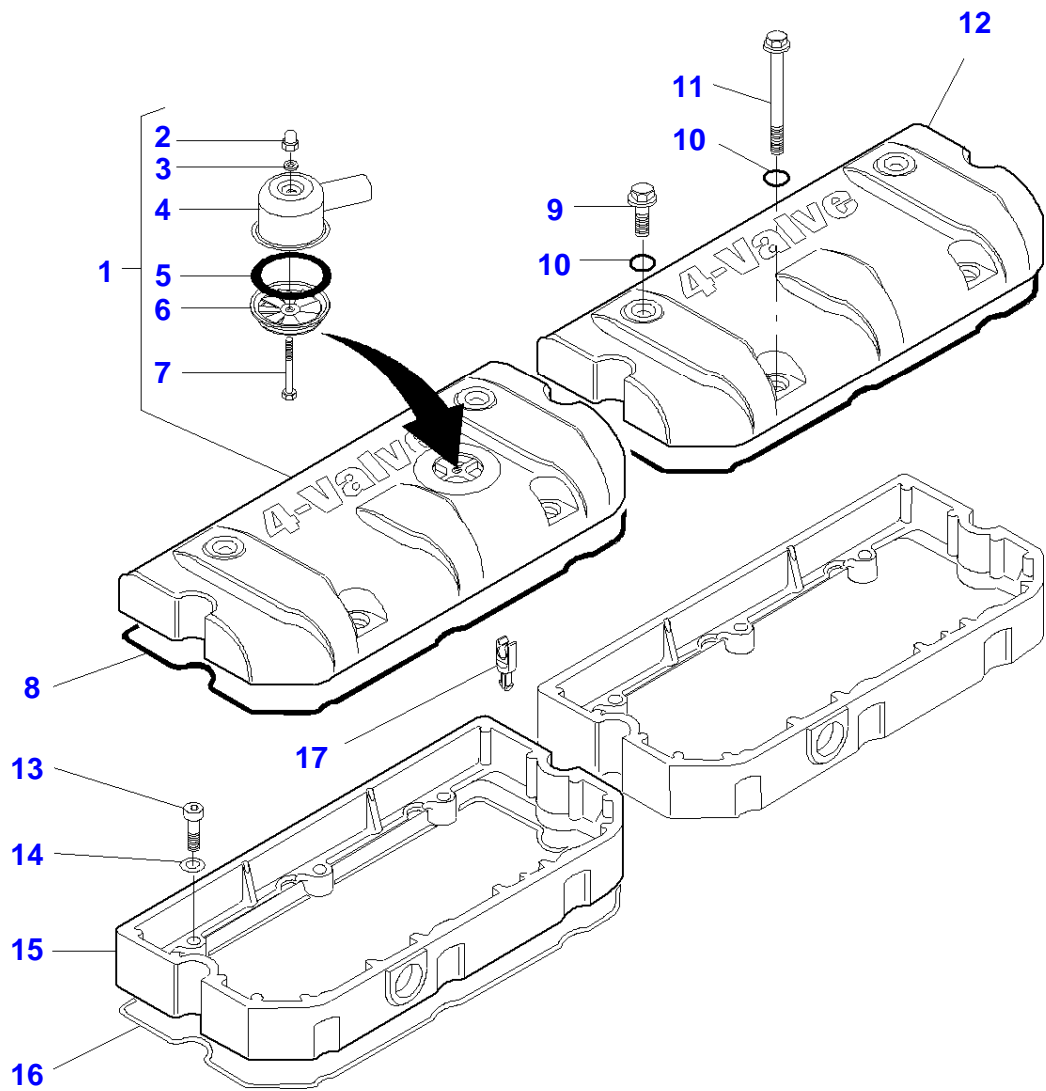
1-WH03-025-A



| Item | Part Number | Qty | Description Comments |
|------|-------------|-----|---|
| 1 | V837073233 | 2 | CYLINDER HEAD |
| 2 | V837073174 | 24 | VALVE GUIDE (1) |
| 3 | V837064907 | 12 | VALVE SEAT (1) [A] |
| 4 | V837064908 | 12 | VALVE SEAT (1) [B] |
| 5 | V837069002 | 12 | EXHAUST VALVE (1) |
| 6 | V837069003 | 12 | INTAKE VALVE (1) |
| 7 | V837064910 | 48 | COTTER (1) |
| 8 | V837069004 | 24 | SPRING PLATE (1) |
| 9 | V837069005 | 24 | VALVE SPRING (1) |
| 10 | V837073165 | 24 | VALVE STEM GASKET (1) [D] |
| 11 | V836647942 | 8 | PLUG (1) |
| 12 | V546801900 | 4 | STUD BOLT (1) M10 X 75 |
| 13 | V837070290 | 2 | CYLINDER HEAD GASKET [D] |
| 14 | V836867753 | 1 | GASKET [D] |
| 15 | V836119643 | 1 | THREADED NIPPLE |
| 16 | V615881822 | 2 | SEALING WASHER [D] |
| 17 | V836119837 | 1 | HOSE COUPLER |
| 18 | V836867567 | 1 | LIFTING EYE EXTENSION 86 MM |
| 19 | V640016045 | 2 | PLUG |
| 20 | V837069025 | 24 | CYLINDER HEAD BOLT |
| 21 | V837073571 | 10 | CYLINDER HEAD BOLT |
| 22 | V837067791 | 1 | LIFTING EYE EXTENSION 136 MM |
| 23 | V836640752 | 2 | LIFT EYE |
| 24 | V528801820 | 4 | HEX CAP SCREW M10 X 35 |
| 25 | V836855348 | 1 | JOINT PIECE |
| 26 | V836867752 | 1 | GASKET [D] |
| 27 | V528801800 | 2 | HEX CAP SCREW M10 X 25 |
| 28 | V836855350 | 1 | COVER |
| 29 | V615881418 | 1 | SEALING WASHER [D] |
| 30 | | 1 | TEMPERAT SENSOR SEE PAGE 01-0022 |
| 31 | V528801360 | 1 | HEX CAP SCREW M8 X 16 |
| 32 | V836747849 | 1 | SUPPORT [A] FOR VALVE EXHAUST [B] FOR VALVE INLET [D] INCLUDED IN GASKET SET FOR CYLINDER HEAD |

MF 7616 TRACTOR (DYNA 6)
CYLINDER HEAD COVER

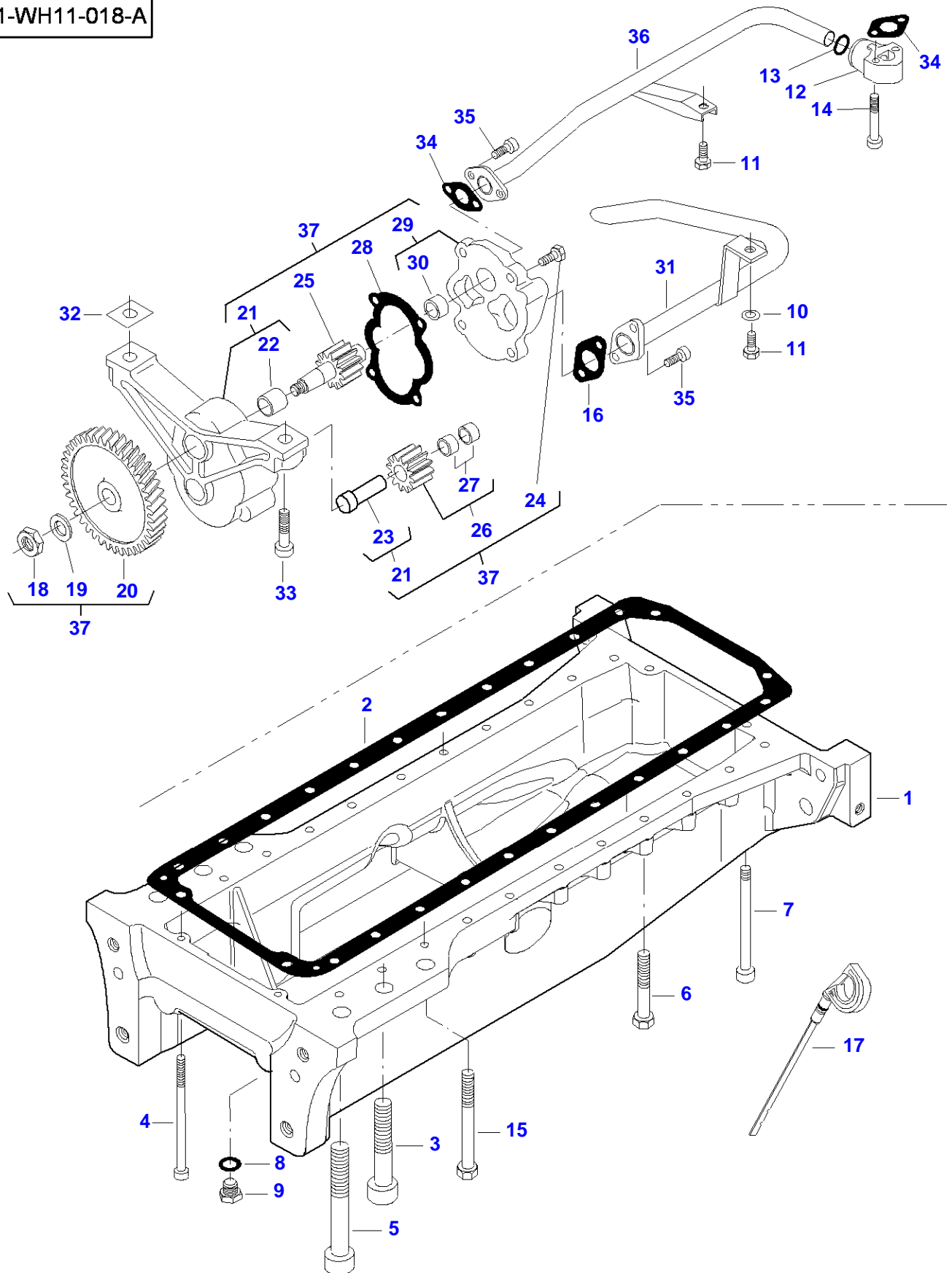
1-WH23-015-A



| Item | Part Number | Qty | Description Comments |
|------|-------------|-----|--|
| 1 | V837070452 | 1 | VALVE ROCKER COVER |
| 2 | V519600602 | 1 | HEX NUT (1) M6 |
| 3 | V836667508 | 1 | SEALING WASHER (1) |
| 4 | V837070442 | 1 | BREATHER (1) |
| 5 | V836667459 | 1 | GASKET (1) |
| 6 | V837070443 | 1 | BREATHER (1) |
| 7 | V528801172 | 1 | HEX CAP SCREW (1) M6 X 60 |
| 8 | V837067881 | 2 | VALVE ROCKER COVER GASKET [A] |
| 9 | V540801780 | 4 | HEX CAP SCREW M10 X 20 |
| 10 | V614901030 | 8 | O-RING [A] |
| 11 | V540801910 | 4 | SCREW M10 X 80 |
| 12 | V837069022 | 1 | VALVE ROCKER COVER |
| 13 | V581804630 | 6 | HEX SOCKET SCREW M8 X 30 |
| 14 | V500950800 | 6 | SPRING WASHER |
| 15 | V837073888 | 2 | VALVE ROCKER COVER FRAME |
| 16 | V837067881 | 2 | VALVE ROCKER COVER GASKET [A] |
| 17 | V837073227 | 4 | BAND [A] INCLUDED IN GASKET SET FOR CYLINDER HEAD |

MF 7616 TRACTOR (DYNA 6)
OIL SUMP

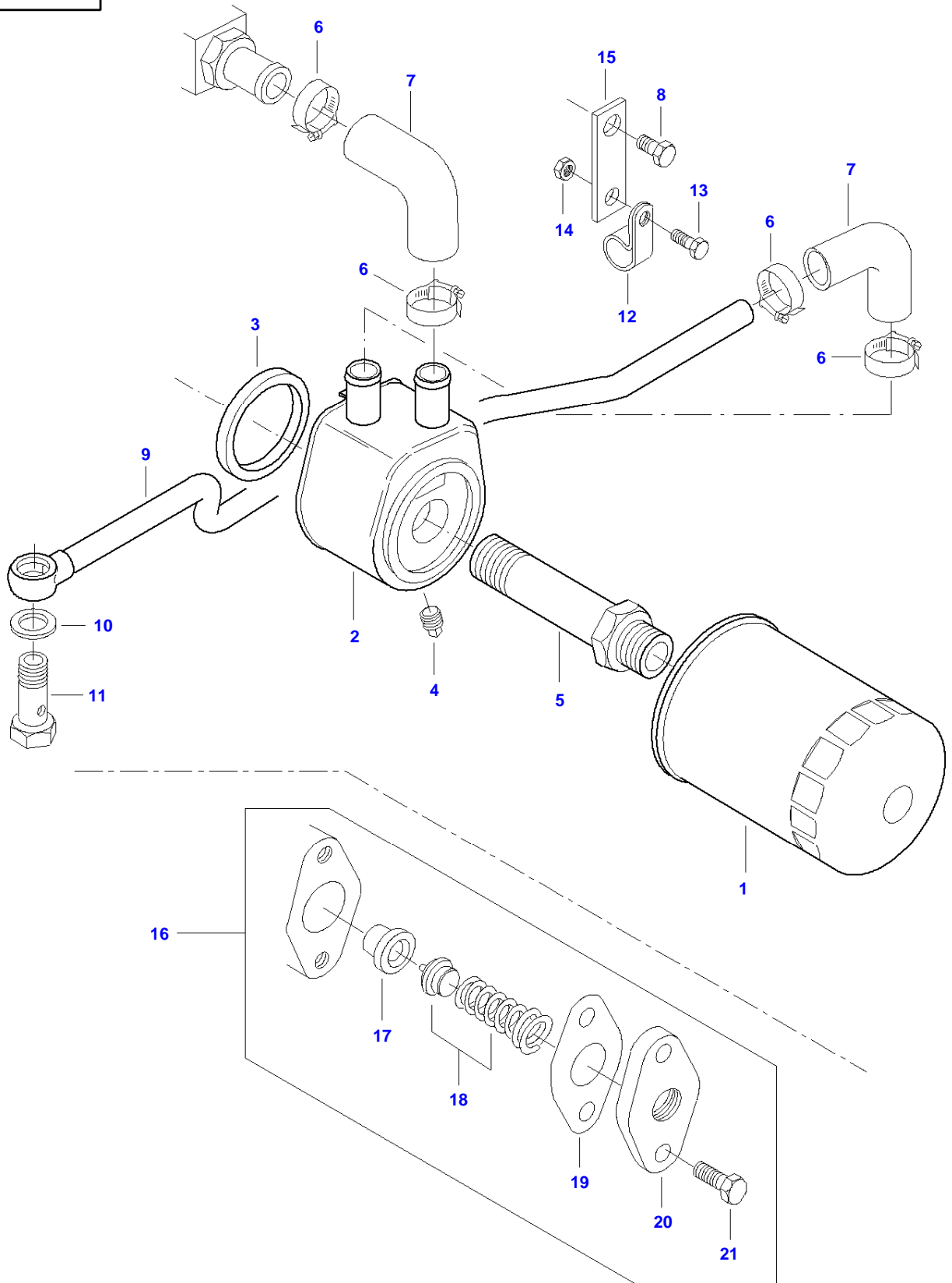
1-WH11-018-A



| Item | Part Number | Qty | Description Comments |
|------|-------------|-----|---|
| 1 | V836873817 | 1 | OIL SUMP |
| 2 | V836322183 | 1 | OIL SUMP GASKET [C] |
| 3 | V581706750 | 4 | HEX SOCKET SCREW M20 X 90 |
| 4 | V581704830 | 2 | HEX SOCKET SCREW M8 X 160 |
| 5 | V581706790 | 2 | HEX SOCKET SCREW M20 X 120 |
| 6 | V529701880 | 16 | HEX CAP SCREW M10 X 65 |
| 7 | V581705210 | 2 | HEX SOCKET SCREW M10 X 140 |
| 8 | V615881827 | 1 | SEALING WASHER [C] |
| 9 | V836655493 | 1 | PLUG M18 |
| 10 | V500150840 | 1 | FLAT WASHER |
| 11 | V528801362 | 2 | HEX CAP SCREW M8 X 16 |
| 12 | V836866563 | 1 | CONNECTOR |
| 13 | V614702230 | 1 | O-RING |
| 14 | V581804680 | 2 | HEX SOCKET SCREW M8 X 55 |
| 15 | V581705180 | 6 | HEX SOCKET SCREW M10 X 110 |
| 16 | V836338201 | 1 | GASKET [C] |
| 17 | V836666908 | 1 | DIPSTICK |
| 18 | V504861000 | 1 | NUT (37) M10 |
| 19 | V836122910 | 1 | WASHER (37) |
| 20 | V836338667 | 1 | GEAR (37) |
| 21 | V836338186 | 1 | FRAME (37) |
| 22 | V836322909 | 1 | BUSHING (21) |
| 23 | V836322906 | 1 | OIL PUMP SHAFT (21) |
| 24 | V528801380 | 4 | HEX CAP SCREW (37) M8 X 20 |
| 25 | V836338182 | 1 | SHAFT (37) |
| 26 | V836338180 | 1 | GEAR,OIL PUMP (37) |
| 27 | V836322909 | 2 | BUSHING (26) |
| 28 | V836338188 | 1 | GASKET (37) [C] |
| 29 | V836855297 | 1 | COVER (37) |
| 30 | V836322909 | 1 | BUSHING (29) |
| 31 | V836873818 | 1 | OIL PUMP SUCTION PIPE |
| 32 | V836007871 | X | SHIM |
| 33 | V581805050 | 2 | HEX SOCKET SCREW M10 X 40 |
| 34 | V836008449 | 2 | GASKET [C] |
| 35 | V581804602 | 4 | HEX SOCKET SCREW M8 X 20 |
| 36 | V836866569 | 1 | OIL PIPE |
| 37 | V836855300 | 1 | LUBRICATING OIL PUMP [C] INCLUDED IN GASKET SET FOR ENGINE |

MF 7616 TRACTOR (DYNA 6)
OIL COOLER & FILTER

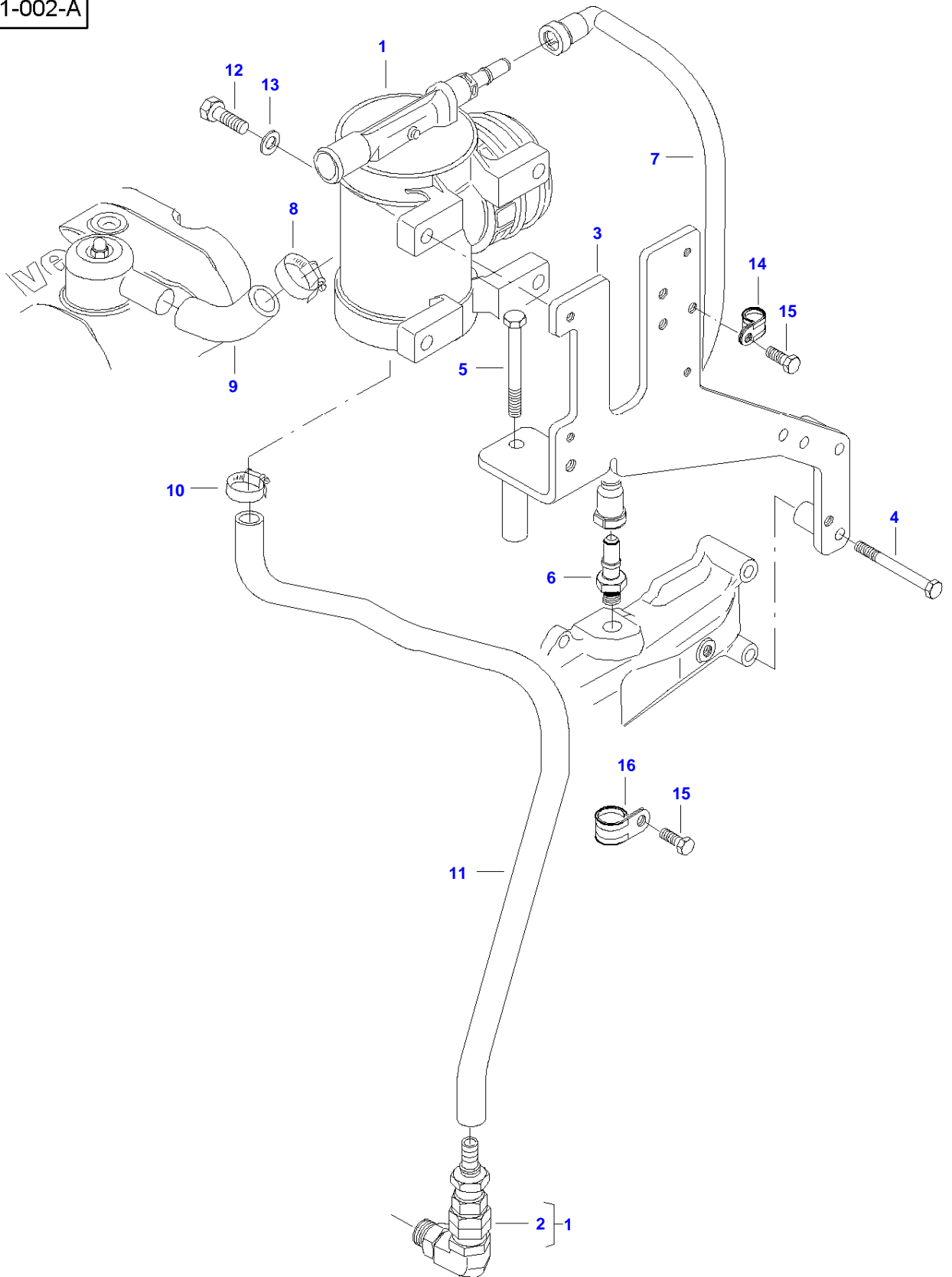
1-WH26-009-A



| Item | Part Number | Qty | Description Comments |
|------|-------------|-----|--|
| 1 | V836679586 | 1 | OIL FILTER |
| 2 | V836859699 | 1 | OIL COOLER |
| 3 | V836862235 | 1 | SEALING WASHER (2) |
| 4 | V640004004 | 1 | PLUG (2) |
| 5 | V836859700 | 1 | UNION |
| 6 | V602079516 | 4 | HOSE CLIP |
| 7 | V836859899 | 2 | RUBBER ELBOW |
| 8 | V528801760 | 1 | HEX CAP SCREW M10 X 16 |
| 9 | V837070173 | 1 | PIPE |
| 10 | V615881822 | 2 | SEALING WASHER [A] |
| 11 | V640435015 | 1 | BANJO BOLT |
| 12 | V602074615 | 1 | HOSE CLIP |
| 13 | V528801380 | 1 | HEX CAP SCREW M8 X 20 |
| 14 | V504800800 | 1 | HEX NUT M8 |
| 15 | V837070143 | 1 | SUPPORT |
| 16 | V837079484 | 1 | REGULATING VALVE |
| 17 | V836659521 | 1 | VALVE SEAT (16) |
| 18 | V836667650 | 1 | SPRING ASSEMBLY (16) |
| 19 | V836322190 | 1 | GASKET (16) [A] |
| 20 | V837074289 | 1 | COVER (16) |
| 21 | V528801380 | 2 | HEX CAP SCREW (16) M8 X 20 [A] INCLUDED IN GASKET SET FOR ENGINE |

MF 7616 TRACTOR (DYNA 6)
ENGINE BREATHER

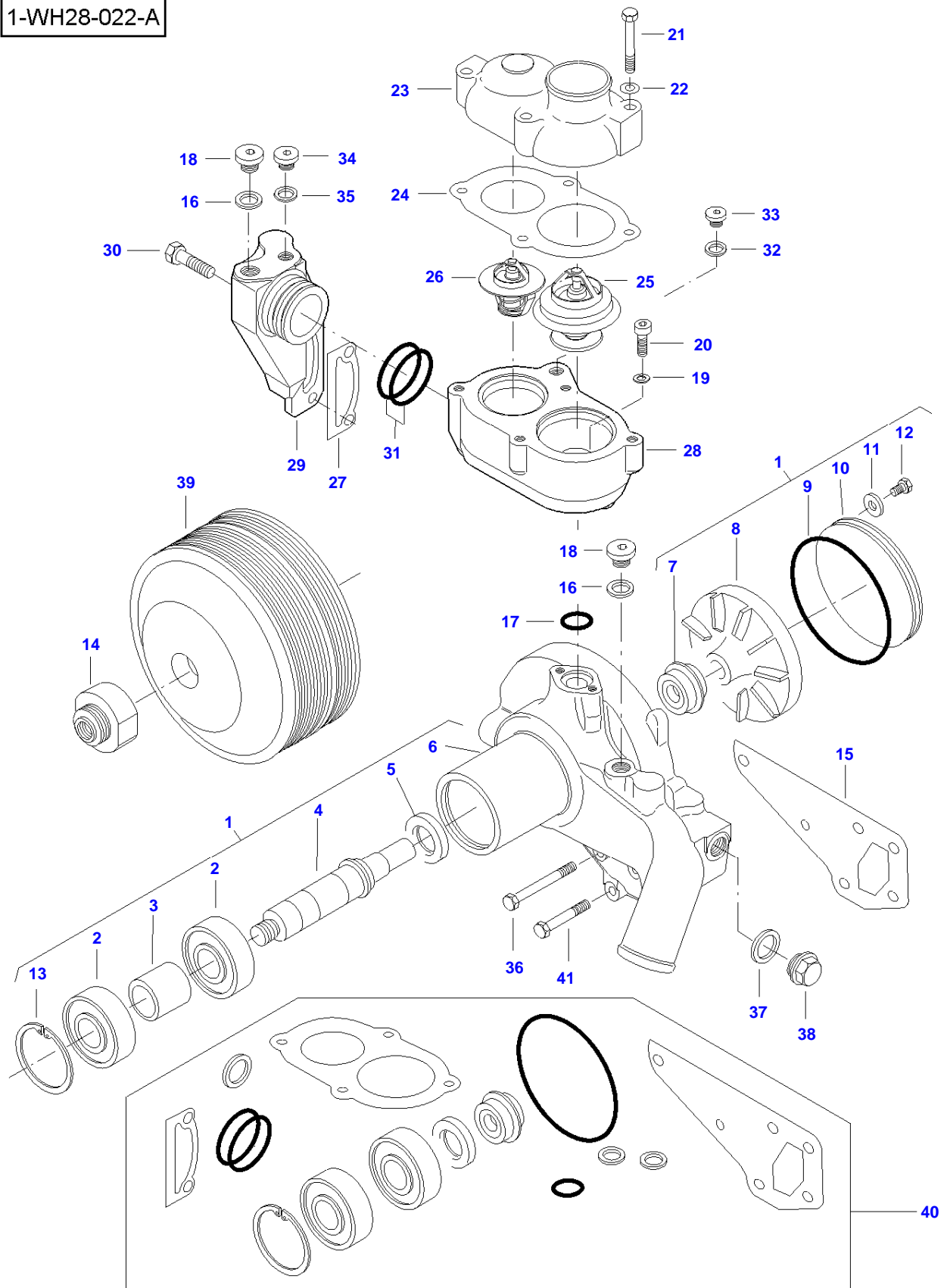
1-WH31-002-A



| Item | Part Number | Qty | Description Comments |
|------|-------------|-----|-----------------------------|
| 1 | V837074160 | 1 | CCV FILTER |
| 2 | V837074234 | 1 | CHECK VALVE (1) |
| 3 | V837074328 | 1 | BRACKET |
| 4 | V529801550 | 2 | HEX CAP SCREW M8 X 100 |
| 5 | V529801950 | 1 | HEX CAP SCREW M10 X 100 |
| 6 | V837067936 | 1 | QUICK COUPLER 7/16" |
| 7 | V837074303 | 1 | HOSE |
| 8 | V602090544 | 2 | HOSE CLIP |
| 9 | V837074038 | 1 | RUBBER HOSE |
| 10 | V602087528 | 2 | HOSE CLIP |
| 11 | V837074329 | 1 | HOSE |
| 12 | V581804630 | 4 | HEX SOCKET SCREW M8 X 30 |
| 13 | V500150842 | 4 | WASHER |
| 14 | V602060615 | 1 | HOSE CLIP |
| 15 | V528801360 | 2 | HEX CAP SCREW M8 X 16 |
| 16 | V602074522 | 1 | HOSE CLIP |

MF 7616 TRACTOR (DYNA 6)
WATER PUMP

1-WH28-022-A



| Item | Part Number | Qty | Description Comments |
|------|-------------|-----|--|
| 1 | V836867628 | 1 | WATER PUMP |
| 2 | V610063065 | 2 | BALL BEARING (1) |
| 3 | V836859122 | 1 | SPACER (1) |
| 4 | V836867769 | 1 | WATER PUMP SHAFT (1) |
| 5 | V614703042 | 1 | SHAFT SEAL (1) |
| 6 | | 1 | (1) PUMP BODY NOT SERVICED,ORDER REF. 1 |
| 7 | V836859452 | 1 | GASKET (1) |
| 8 | V836336047 | 1 | IMPELLER (1) |
| 9 | V614612530 | 1 | O-RING (1) |
| 10 | V836867624 | 1 | PLATE (1) |
| 11 | V836867659 | 2 | WASHER (1) |
| 12 | V528801052 | 2 | HEX CAP SCREW (1) M6 X 12 |
| 13 | V617330072 | 1 | LOCK RING (1) |
| 14 | V836767740 | 1 | UNION UP TO SERIAL OR ENGINE NUMBER Z03429 |
| | V836755687 | 1 | UNION FROM SERIAL OR ENGINE NUMBER Z03430 |
| 15 | V836866742 | 1 | GASKET [A] |
| 16 | V615881822 | 2 | SEALING WASHER [A] |
| 17 | V614602930 | 1 | O-RING |
| 18 | V640325018 | 2 | PLUG |
| 19 | V836015967 | 2 | SEALING WASHER [B] |
| 20 | V581804620 | 2 | HEX SOCKET SCREW M8 X 25 |
| 21 | V529801450 | 4 | HEX CAP SCREW M8 X 50 |
| 22 | V500950800 | 4 | SPRING WASHER |
| 23 | V836329631 | 1 | COVERING |
| 24 | V836329632 | 1 | GASKET [B] |
| 25 | V836331590 | 1 | THERMOSTAT 83癩 |
| 26 | V836015156 | 1 | THERMOSTAT 79癩 |
| 27 | V836867753 | 1 | GASKET [B] |
| 28 | V836867647 | 1 | THERM. HOUSING |
| 29 | V836867646 | 1 | WATER PIPE |
| 30 | V529801850 | 2 | HEX CAP SCREW M10 X 50 |
| 31 | V614604958 | 2 | O-RING [B] |
| 32 | V615871014 | 1 | SEALING WASHER [B] |
| 33 | V640325110 | 1 | PLUG |
| 34 | V640325014 | 1 | PLUG |
| 35 | V615881418 | 1 | SEALING WASHER [A] |
| 36 | V529801510 | 2 | HEX CAP SCREW M8 X 80 |



Suggest:

For more complete manuals. Please go to the home page.

<https://www.ebooklibonline.com>

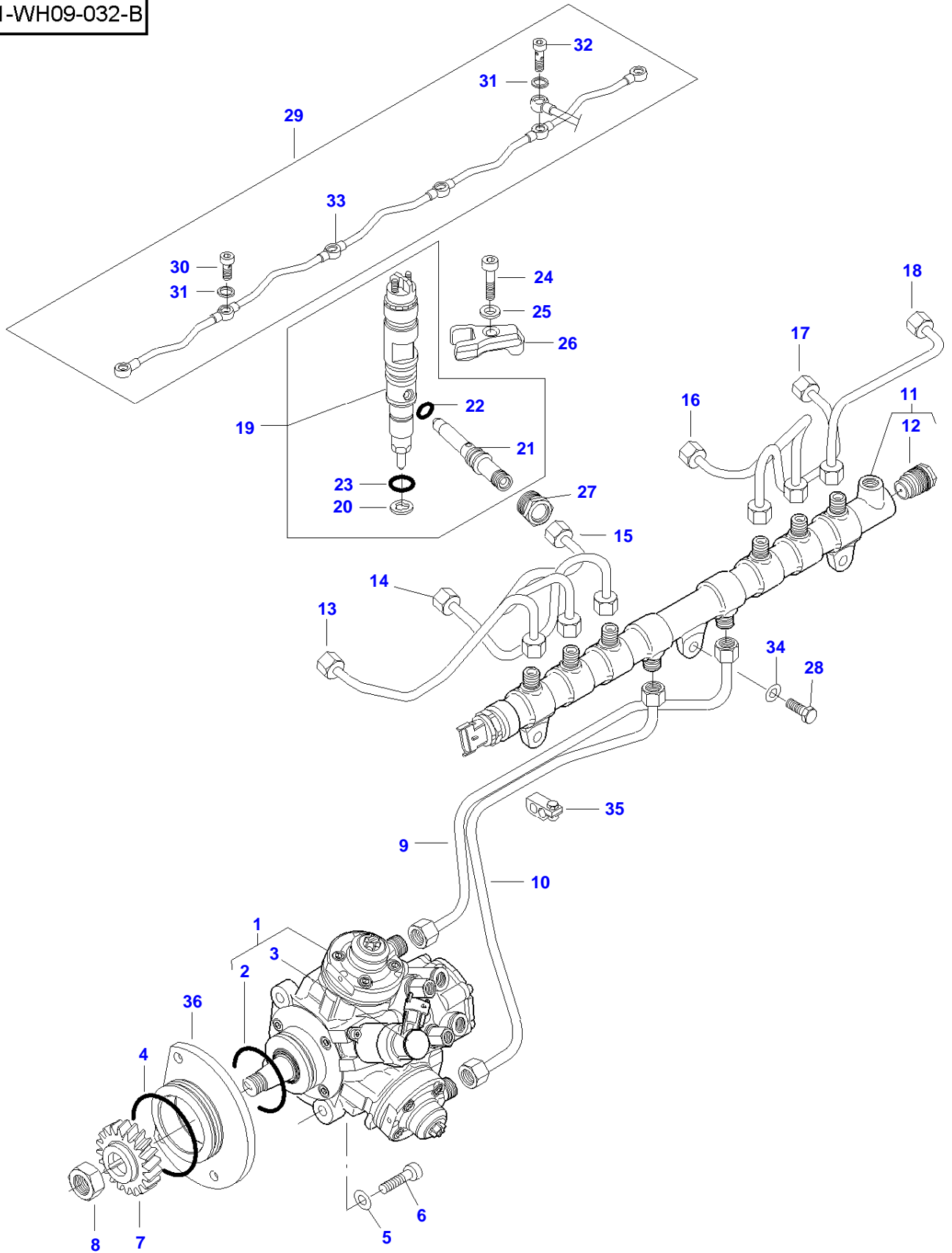
If the above button click is invalid. Please download this document first, and then click the above link to download the complete manual.

Thank you so much for reading

| Item | Part Number | Qty | Description Comments |
|-------------|--------------------|------------|---|
| 37 | V615882227 | 1 | SEALING WASHER |
| 38 | V640045022 | 1 | PLUG |
| 39 | V837074027 | 1 | WATER PUMP MULTI-RIBBED PULLEY UP TO SERIAL OR ENGINE NUMBER Z03429 |
| 39 | V837084259 | 1 | PULLEY,WATERPUMP FROM SERIAL OR ENGINE NUMBER Z03430 |
| 40 | V836862613 | 1 | WATER PUMP REPAIR KIT |
| 41 | V529801440 | 3 | HEX CAP SCREW M8 X 45 [A] INCLUDED IN GASKET SET FOR ENGINE [B] INCLUDED IN GASKET SET FOR CYLINDER HEAD |

MF 7616 TRACTOR (DYNA 6) INJECTION SYSTEM

1-WH09-032-B



<https://www.ebooklibonline.com>

Hello dear friend!

Thank you very much for reading.

Enter the link into your browser.

The full manual is available for immediate download.

<https://www.ebooklibonline.com>