

Page Number	Page Title	Page Reference
01-000-TOC	ENGINE V832677603 44 DTIC2	01-000-TOC
02-000-TOC	ENGINE V832677651 44 TIC	02-000-TOC
03-000-TOC	ENGINE ACW1606190 44 DTIC2	03-000-TOC
04-000-TOC	ENGINE ACW1606270 44 CWC3	04-000-TOC
05-000-TOC	ENGINE INSTALLATION	05-000-TOC
06-000-TOC	AXLES	06-000-TOC
07-000-TOC	STEERING SYSTEM	07-000-TOC
08-000-TOC	DRIVE TRAIN SYSTEM	08-000-TOC
09-000-TOC	BRAKE SYSTEM	09-000-TOC
10-000-TOC	HYDRAULIC SYSTEM	10-000-TOC
11-000-TOC	ELECTRICAL SYSTEM	11-000-TOC
12-000-TOC	CAB	12-000-TOC
13-000-TOC	CHASSIS	13-000-TOC
14-000-TOC	WHEELS	14-000-TOC
15-000-TOC	IMPLEMENT DRIVE SYSTEM	15-000-TOC
16-000-TOC	IMPLEMENT LIFT SYSTEM REAR	16-000-TOC
17-000-TOC	LINKAGE	17-000-TOC
18-000-TOC	ACCESSORIES	18-000-TOC
19-000-TOC	GENERAL INFORMATION	19-000-TOC

Item	Part Number	Qty	Description Comments	Technical Specification
1	V832677603	1	ENGINE 82/2200 (KW/RPM)	44 DTIC2
2	V837081451	1	SHORT BLOCK ENGINE	44 TC/TIC
3	V837079921	1	LABEL	

<https://www.ebooklibonline.com>

Hello dear friend!

Thank you very much for reading.

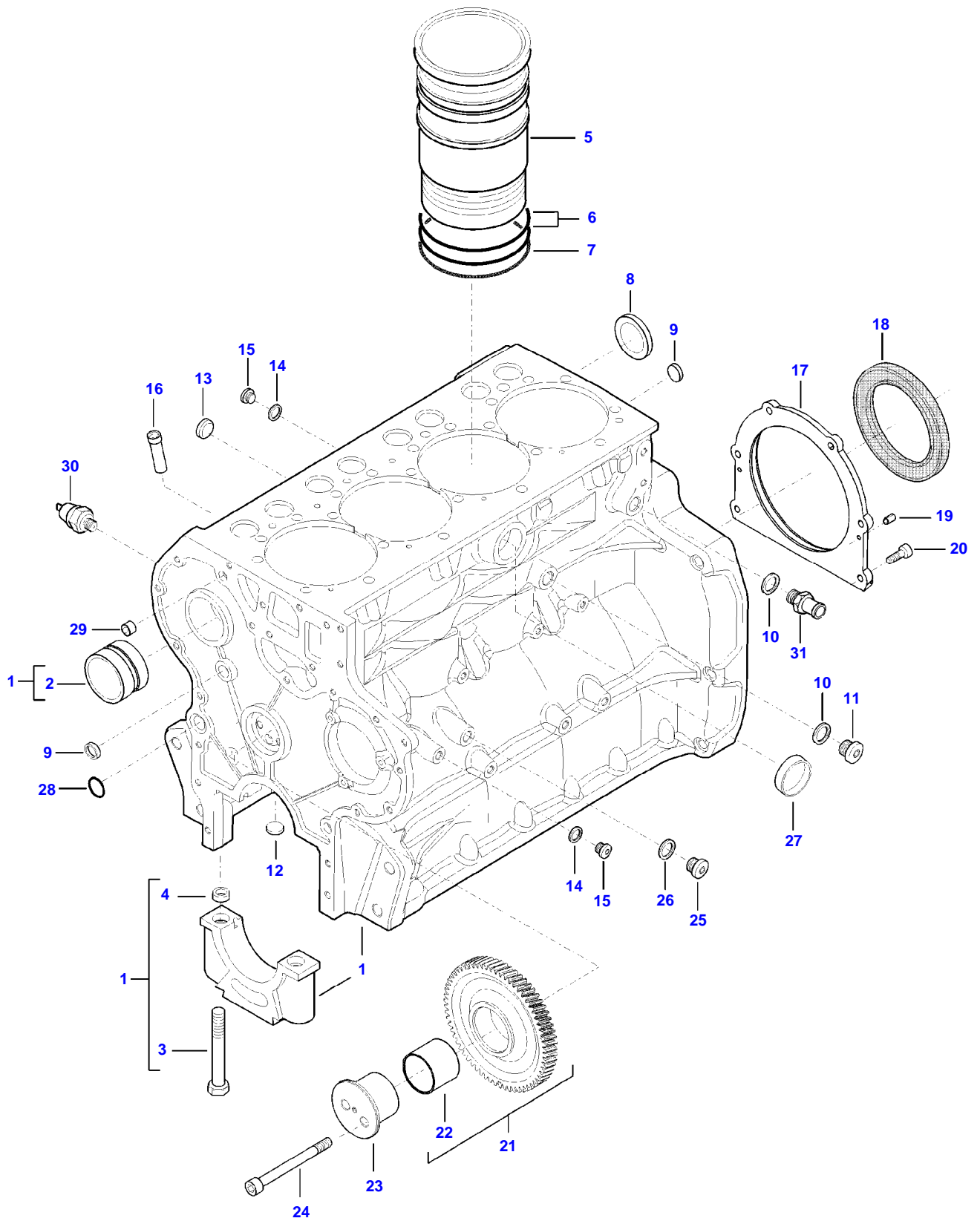
Enter the link into your browser.

The full manual is available for immediate download.

<https://www.ebooklibonline.com>

MF 6711R TRACTOR (ECO4 / TIER 2 -3 ; BR)
AP1J1354

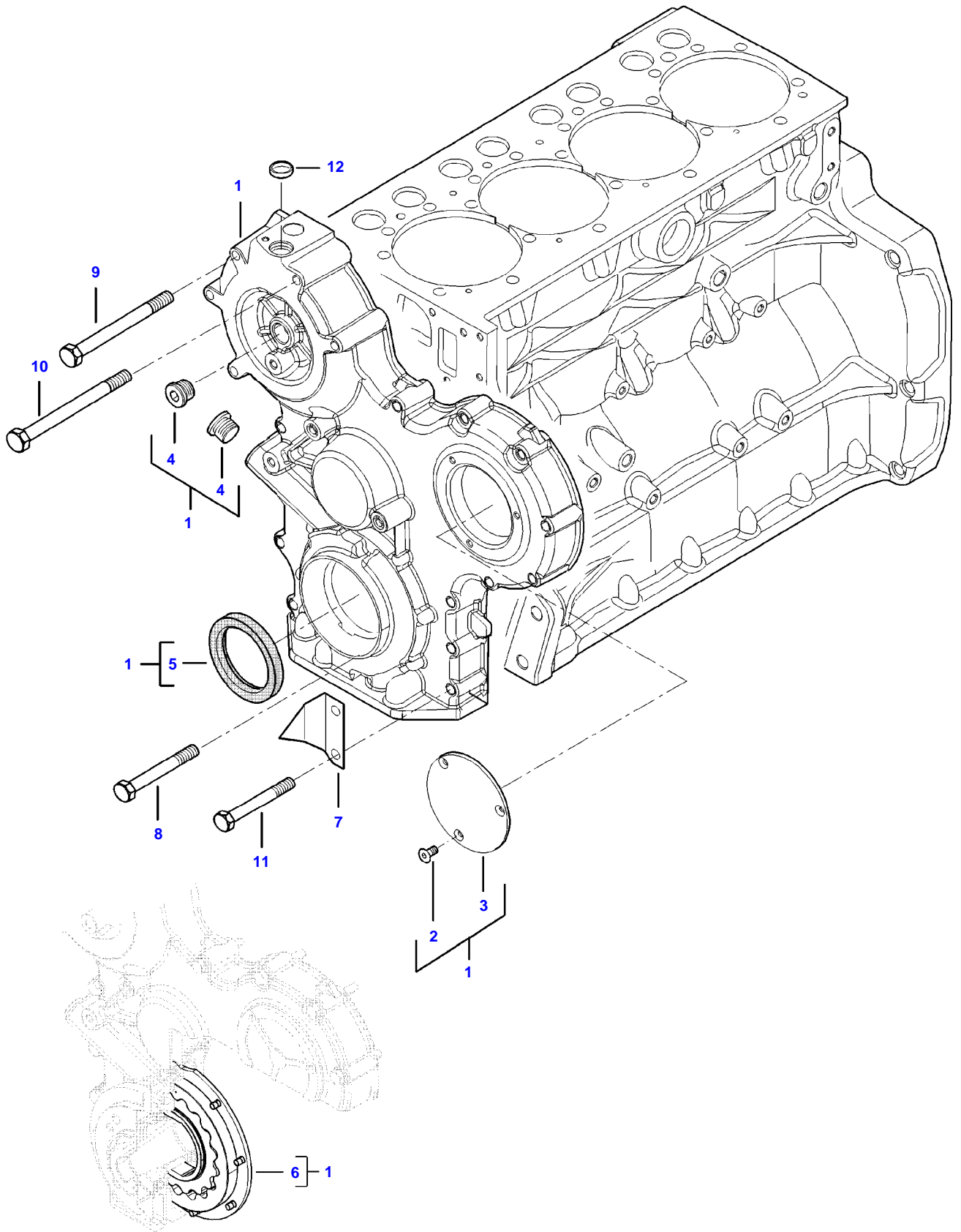
AP1J1354



Item	Part Number	Qty	Description Comments
1	V837081301	1	CYLINDER BLOCK
2	V836866069	1	CAMSHAFT BEARING BUSH [A]
3	V837081037	10	HEX CAP SCREW [A]
4	V837081041	10	GUIDE SLEEVE [A]
5	V837081031	4	LINER
6	V836647502	8	CYLINDER LINER O-RING INCLUDED IN GASKET KIT 2
7	V836647503	4	CYLINDER LINER O-RING INCLUDED IN GASKET KIT 2
8	V837081133	1	PLUG
9	V640016016	2	PLUG
10	V615881824	2	SEALING WASHER INCLUDED IN GASKET KIT 2
11	V640325018	1	PLUG
12	V640016020	1	PLUG
13	V640016018	2	PLUG
14	V615871014	2	SEALING WASHER INCLUDED IN GASKET KIT 2
15	V640325110	2	PLUG
16	V837081103	1	PIPE
17	V837081321	1	COVER
18	V837081286	1	CRANKSHAFT SEAL INCLUDED IN GASKET KIT 2
19	V595959140	2	PIN
20	V581804580	6	HEX SOCKET SCREW
21	V837081084	1	IDLER GEAR
22	V837081019	1	BUSH [B]
23	V837081017	1	SHAFT
24	V581705100	2	HEX SOCKET SCREW
25	V640325014	1	PLUG
26	V615881420	1	SEALING WASHER INCLUDED IN GASKET KIT 2
27	V640016040	1	PLUG
28	V614602030	1	O-RING INCLUDED IN GASKET KIT 2
29	V598359850	2	PIN
30	V887283760	1	PRESSURE SWITCH
31	V837081395	1	HOSE COUPLER [A] INCLUDED IN ITEM 1 [B] INCLUDED IN ITEM 21

MF 6711R TRACTOR (ECO4 / TIER 2 -3 ; BR)
AP2J1357

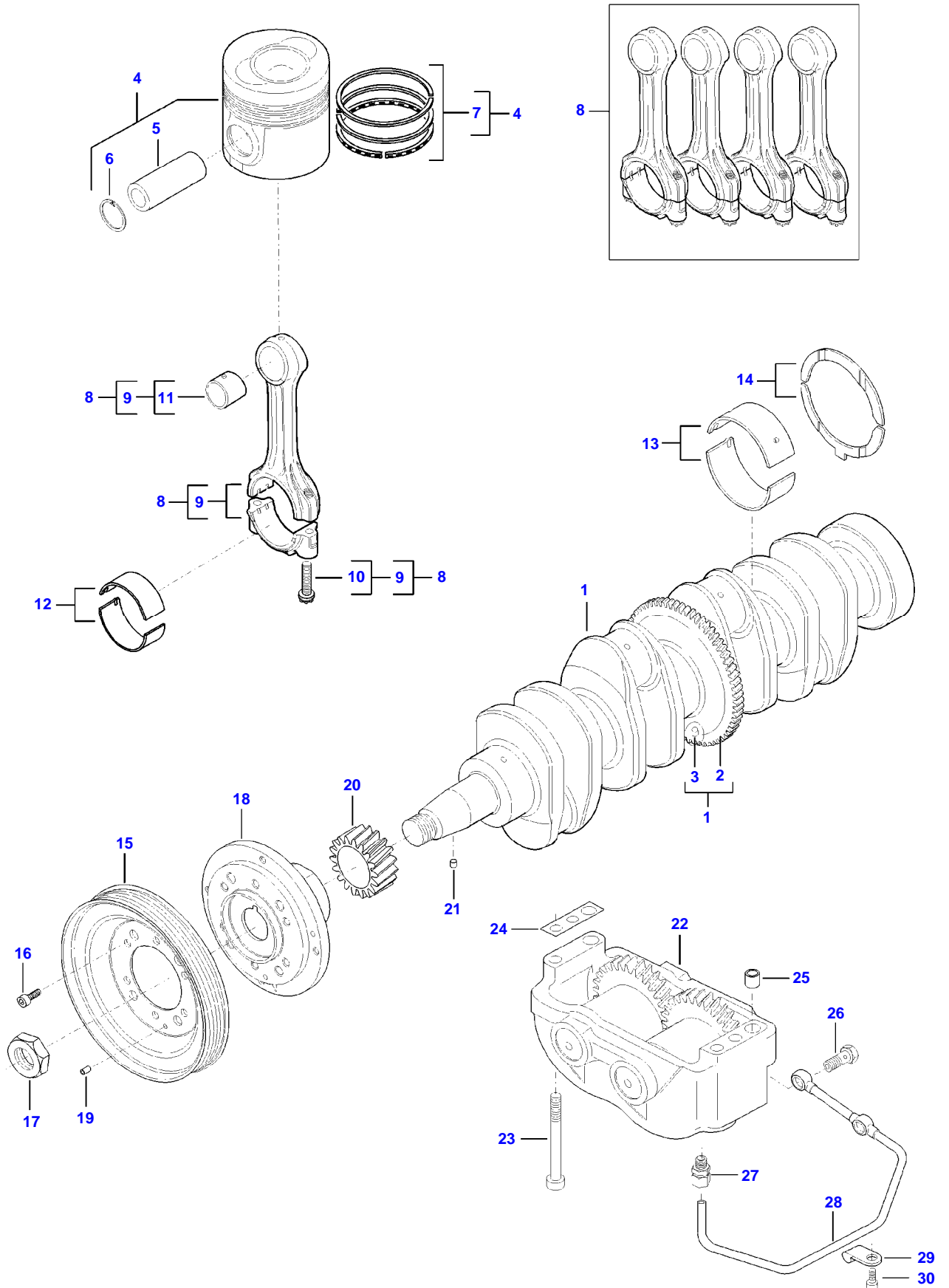
AP2J1357



Item	Part Number	Qty	Description Comments
1	V837081039	1	TIMING GEAR CASE
2	V579904162	3	HEX SOCKET SCREW [A]
3	V837081057	1	COVER [A]
4	V640325120	2	PLUG [A]
5	V836840883	1	CRANKSHAFT SEAL INCLUDED IN GASKET KIT 2 [A]
6			NOT AVAILABLE AS SINGLE PART [A]
7	V837081022	1	TIMING MARK INDICATOR
8	V540801470	1	HEXAGON FLANGE BOLT
9	V540801490	4	HEXAGON FLANGE BOLT
10	V540801510	1	HEXAGON FLANGE BOLT
11	V540801450	12	HEXAGON FLANGE BOLT
12	V640016018	1	PLUG [A] INCLUDED IN ITEM 1

MF 6711R TRACTOR (ECO4 / TIER 2 -3 ; BR)
AP4J1359

AP4J1359



Item	Part Number	Qty	Description Comments
1	V837081276	1	CRANKSHAFT
2	V837081275	1	GEAR
3	V837081240	1	KEY
4	V837081457	4	PISTON
5		4	NOT AVAILABLE AS SINGLE PART [A]
6		8	NOT AVAILABLE AS SINGLE PART [A]
7	V837079658	4	PISTON RING SET [A]
8	V837079729	1	KIT, CONROD
9		4	NOT AVAILABLE AS SINGLE PART [B]
10	V837081024	8	CONNECTING ROD BOLT [B][C]
11	V837081025	4	BUSH [B][C]
12	V837091164	4	CONROD BEARING
13	V836655514	5	MAIN BEARING
14	V836119459	2	THRUST WASHER
15	V837081325	1	CRANKSHAFT PULLEY
16	V581804602	6	HEX SOCKET SCREW
17	V837081149	1	NUT
18	V837081051	1	CRANKSHAFT HUB
19	V595953360	1	PIN
20	V837081012	1	GEAR,CRANKSHAFT
21	V837081240	2	KEY
22	V837081228	1	BALANCER
23	V581805170	4	HEX SOCKET SCREW
24	V836119920		SHIM AS REQUIRED, REFER TO WORKSHOP MANUAL
25	V598359850	2	PIN
26	V640435008	2	BANJO BOLT
27	V641016008	1	STRAIGHT FITTING
28	V837081295	1	OIL PIPE
29	V602071608	1	HOSE CLIP
30	V581804182	1	HEX SOCKET SCREW

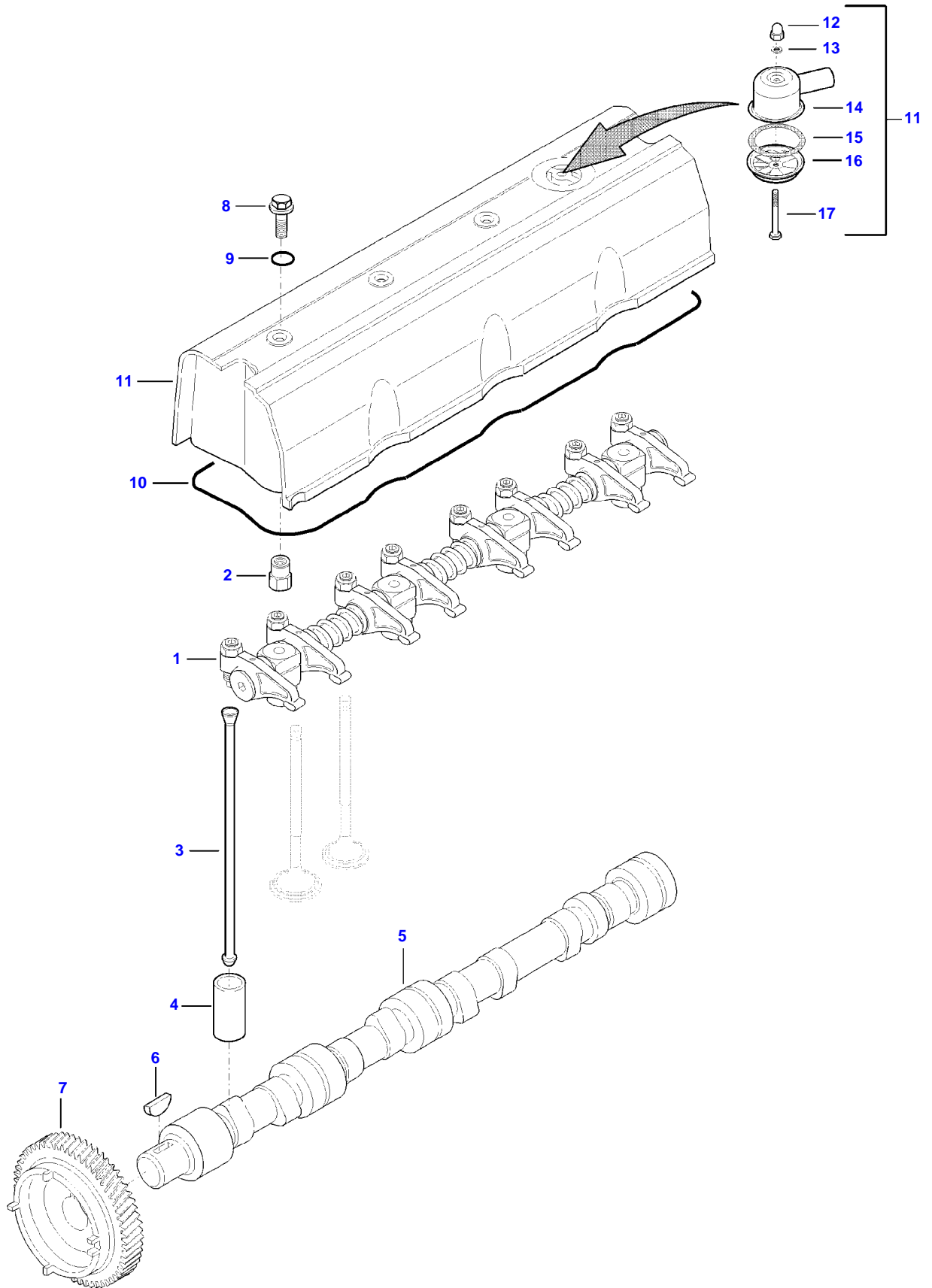
[A] INCLUDED IN ITEM 4

[B] INCLUDED IN ITEM 8

[C] INCLUDED IN ITEM 9

MF 6711R TRACTOR (ECO4 / TIER 2 -3 ; BR)
AP5J1361

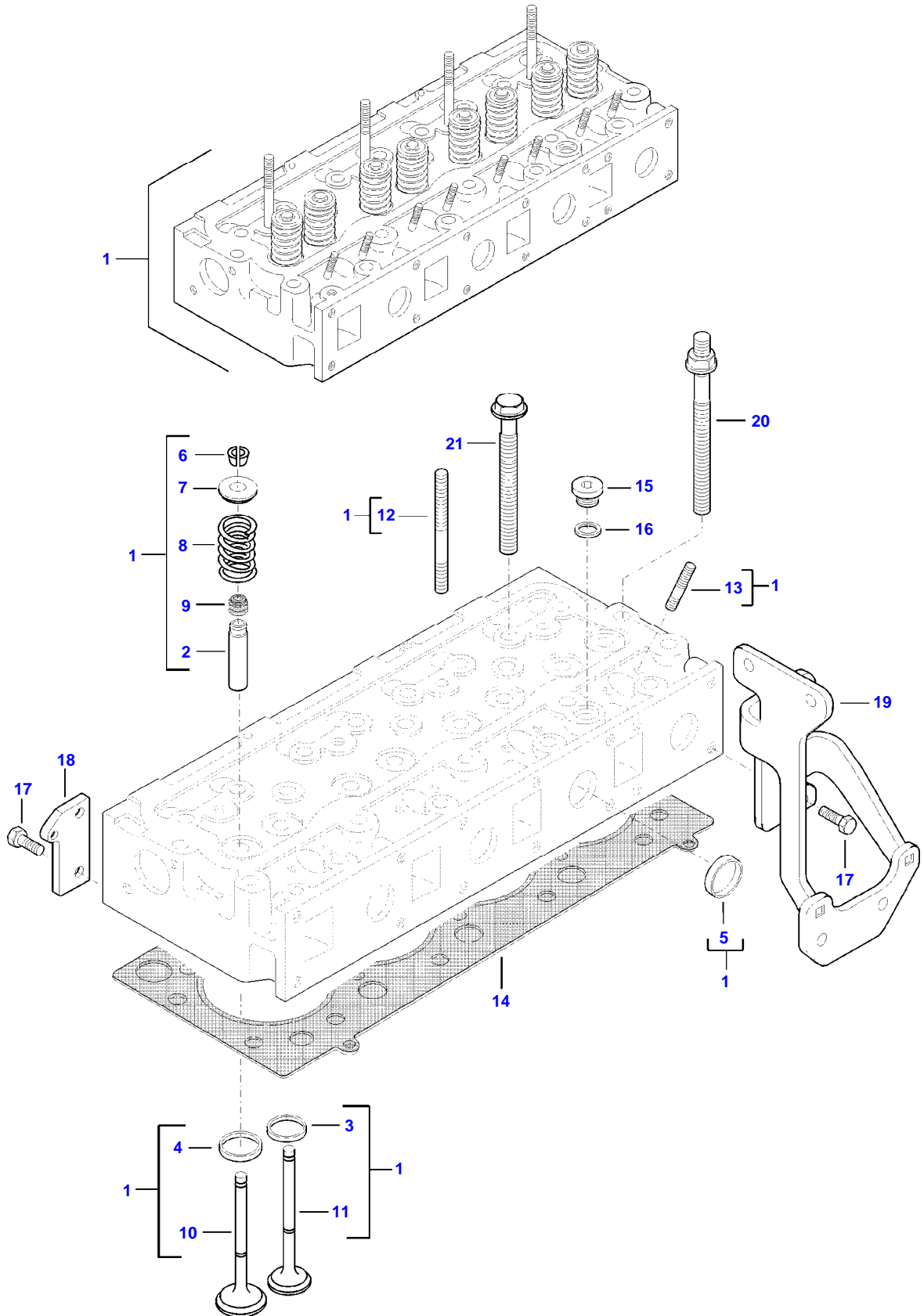
AP5J1361



Item	Part Number	Qty	Description Comments
1	V836767044	1	ROCKER SHAFT ASM
2	V836655406	4	NUT
3	V837081220	8	PUSH ROD
4	V836014264	8	TAPPET
5	V837081127	1	CAMSHAFT
6	V603305760	1	WOODRUFF KEY
7	V837081014	1	GEAR,CAMSHAFT
8	V540801780	4	HEXAGON FLANGE BOLT
9	V614901030	4	O-RING
10	V836767244	1	INCLUDED IN GASKET KIT 1 VALVE ROCKER COVER GASKET INCLUDED IN GASKET KIT 1
11	V837070461	1	VALVE ROCKER COVER
12	V519600602	1	NUT [A]
13	V836667508	1	SEALING WASHER [A]
14	V837070442	1	BREATHER [A]
15	V836667459	1	GASKET [A]
16	V837070443	1	BREATHER [A]
17	V528801172	1	HEX CAP SCREW [A] [A] INCLUDED IN ITEM 11

MF 6711R TRACTOR (ECO4 / TIER 2 -3 ; BR)
AP6J1363

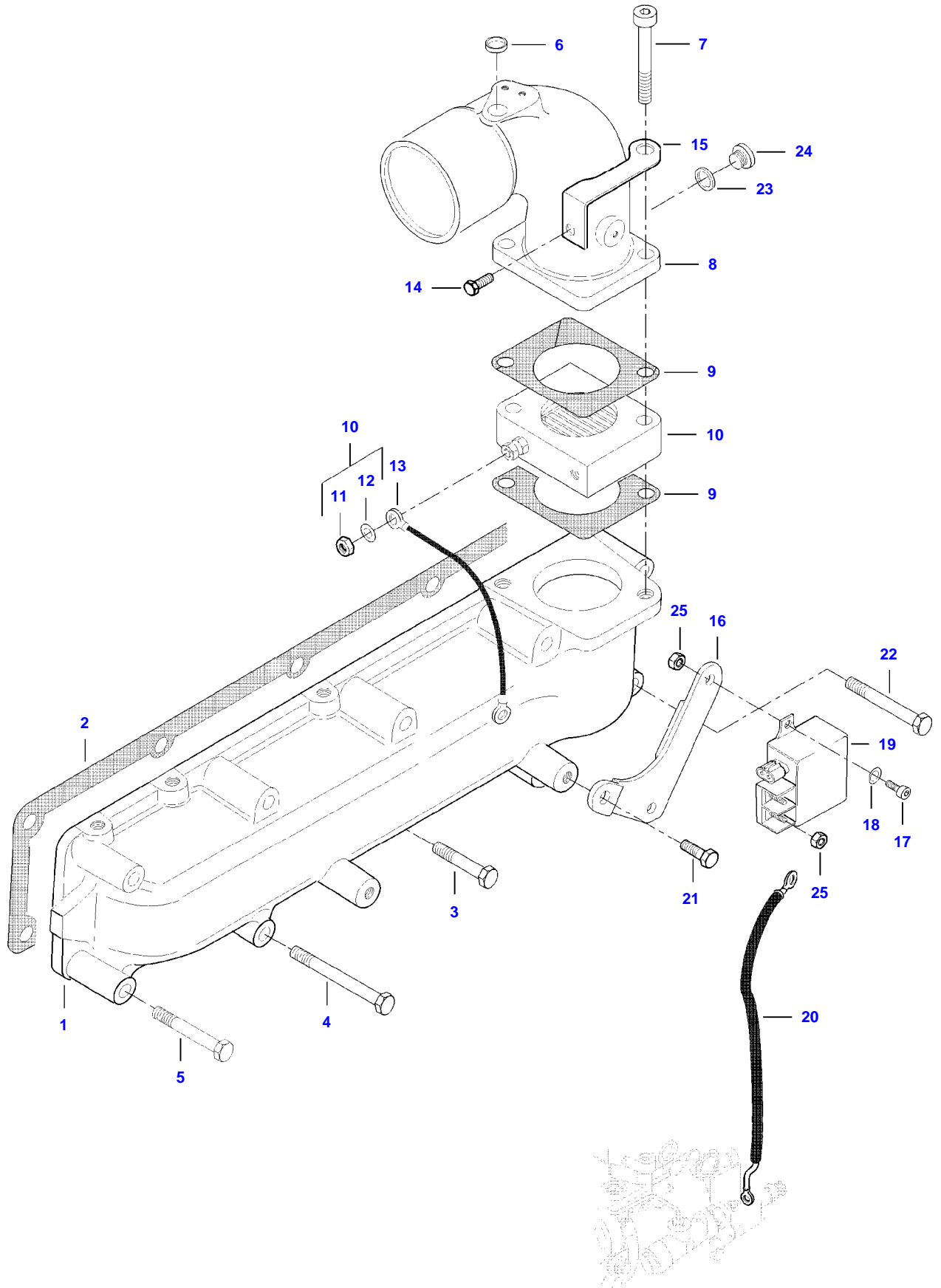
AP6J1363



Item	Part Number	Qty	Description Comments
1	V837081496	1	CYLINDER HEAD
2	V836673175	8	VALVE GUIDE [A]
3	V836647600	4	VALVE SEAT [A]
4	V836647936	4	VALVE SEAT [A]
5	V836647942	8	PLUG [A]
6	V836646382	16	COTTER [A]
7	V836646381	8	WASHER [A]
8	V837073405	8	VALVE SPRING [A]
9	V837073166	8	VALVE STEM GASKET INCLUDED IN GASKET KIT 1 [A]
10	V836646356	4	INTAKE VALVE [A]
11	V836646357	4	EXHAUST VALVE [A]
12	V546801900	4	STUD BOLT [A]
13	V546901435	8	STUD BOLT [A]
14	V837084524	1	CYLINDER HEAD GASKET INCLUDED IN GASKET KIT 1
15	V640325018	1	PLUG
16	V615881824	1	SEALING WASHER INCLUDED IN GASKET KIT 1
17	V528801800	4	HEX CAP SCREW
18	V837081397	1	COVER
19	V837081424	1	FUEL FILTER BRACKET
20	V837073571	5	CYLINDER HEAD BOLT
21	V837069025	17	CYLINDER HEAD BOLT [A] INCLUDED IN ITEM 1

MF 6711R TRACTOR (ECO4 / TIER 2 -3 ; BR)
AP7J1364

AP7J1364

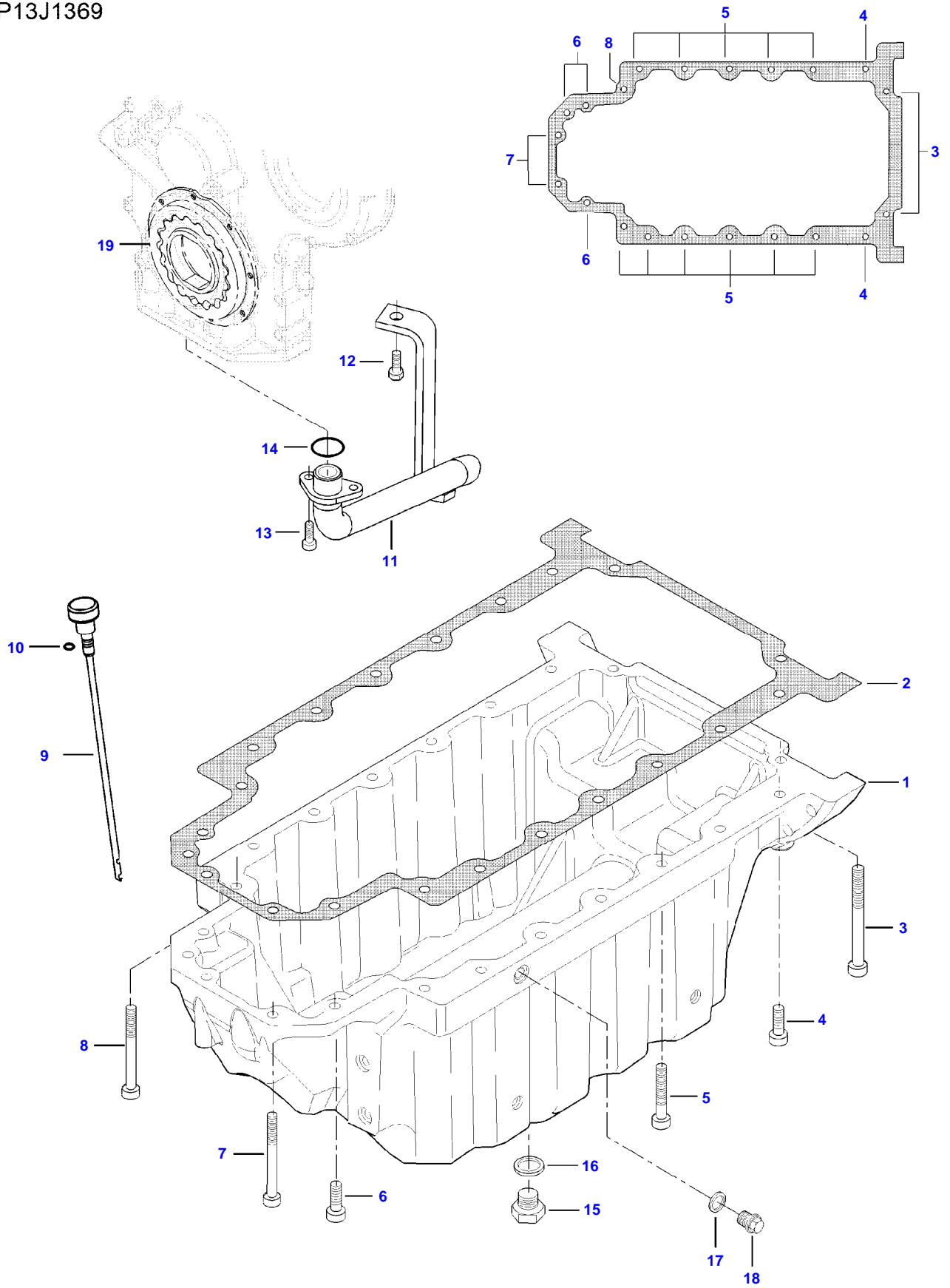


Item	Part Number	Qty	Description Comments
1	V837070298	1	INTAKE MANIFOLD
2	V836747595	1	INTAKE MANIFOLD GASKET INCLUDED IN GASKET KIT 1
3	V529801450	1	HEX CAP SCREW
4	V529801510	2	HEX CAP SCREW
5	V529801470	6	HEX CAP SCREW
6	V640016012	1	PLUG
7	V581705070	2	HEX SOCKET SCREW
8	V837081490	1	AIR PIPE
9	V836666074	2	GASKET INCLUDED IN GASKET KIT 1
10	V837081194	1	INTAKE AIR PREHEATER
11	V504600602	1	NUT [A]
12	V500050642	1	WASHER [A]
13	V837081491	1	WIRE
14	V528801052	1	HEX CAP SCREW
15	V837081193	1	PLATE
16	V837081218	1	BRACKET
17	V581804182	2	HEX SOCKET SCREW
18	V500050642	2	WASHER
19	V837069047	1	SOLENOID
20	V836673373	1	WIRE
21	V528801362	1	HEX CAP SCREW
22	V529801480	1	HEX CAP SCREW
23	V615881420	1	SEALING WASHER
24	V640325014	1	PLUG
25	V504600602	3	NUT [A] INCLUDED IN ITEM 10

Item	Part Number	Qty	Description Comments
1	V836767448	1	TURBOCHARGER
2	V836784847	1	GASKET INCLUDED IN GASKET KIT 1 [A]
3	V504800800	4	NUT
4	V837081464	1	TURBOCHARGER LUBRICATION OIL PIPE
5	V641086008	2	STRAIGHT FITTING
6	V615881216	2	SEALING WASHER INCLUDED IN GASKET KIT 1
7	V546801380	4	STUD BOLT
8	V615881620	1	SEALING WASHER INCLUDED IN GASKET KIT 1
9	V641086012	1	STRAIGHT FITTING
10	V837081465	1	TURBOCHARGER LUBRICATION OIL PIPE
11	V602079516	2	HOSE CLIP
12	V837084856	1	HOSE
13	V837081405	1	FITTING
14	V614604530	1	O-RING
15	V836766717	1	V CLAMP
16	V836766707	1	AIR PIPE
17	V837081461	1	CLAMP
18	V837081426	1	EXHAUST MANIFOLD
19	V513601002	8	NUT
20	V546801910	7	STUD BOLT
21	V835346219	8	SPACER PIECE
22	V546801960	1	STUD BOLT [A] INCLUDED IN ITEM 1

MF 6711R TRACTOR (ECO4 / TIER 2 -3 ; BR)
AP13J1369

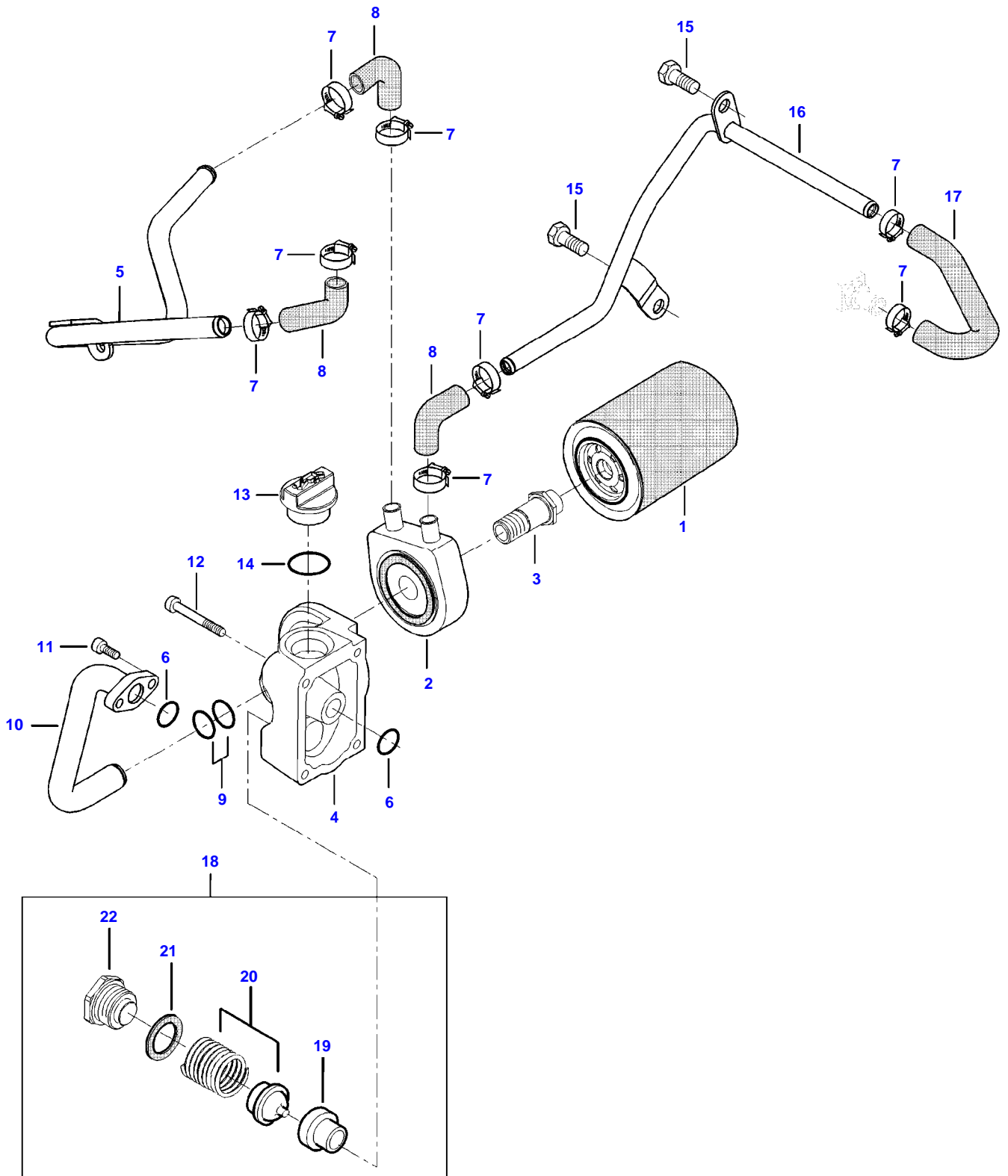
AP13J1369



Item	Part Number	Qty	Description Comments
1	V837081085	1	OIL SUMP
2	V837081161	1	OIL SUMP GASKET INCLUDED IN GASKET KIT 2
3	V581705190	2	HEX SOCKET SCREW
4	V581705030	2	HEX SOCKET SCREW
5	V581705090	11	HEX SOCKET SCREW
6	V581805040	3	HEX SOCKET SCREW
7	V581805170	2	HEX SOCKET SCREW
8	V581705170	1	HEX SOCKET SCREW
9	V837081331	1	DIPSTICK
10	V614900615	1	O-RING
11	V837081074	1	OIL PUMP SUCTION PIPE
12	V528801360	1	HEX CAP SCREW
13	V581804182	2	HEX SOCKET SCREW
14	V614902124	1	O-RING INCLUDED IN GASKET KIT 2
15	V836655493	2	PLUG
16	V615881827	2	SEALING WASHER INCLUDED IN GASKET KIT 2
17	V615881420	1	SEALING WASHER INCLUDED IN GASKET KIT 2
18	V640305014	1	PLUG
19			NOT AVAILABLE AS SINGLE PART SEE PAGE 01-0003

MF 6711R TRACTOR (ECO4 / TIER 2 -3 ; BR)
AP14I1304

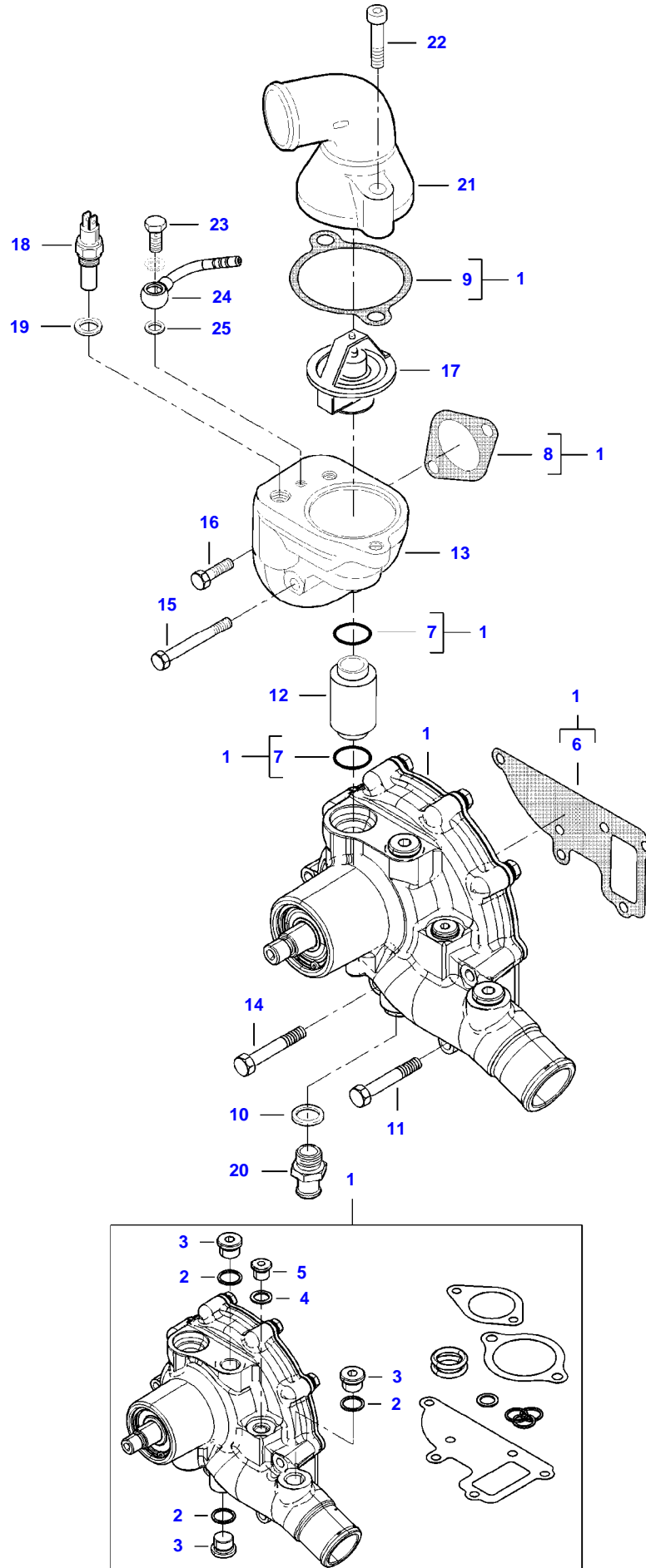
AP14I1304



Item	Part Number	Qty	Description Comments
1	V837079728	1	ENGINE OIL FILTER
2	V837081412	1	OIL FILTER ADAPTER
3	V837081143	1	FITTING
4	V837081053	1	OIL FILTER ADAPTER
5	V837081373	1	WATER PIPE
6	V614602030	2	O-RING INCLUDED IN GASKET KIT 2
7	V602079516	8	HOSE CLIP
8	V836859899	3	RUBBER ELBOW
9	V614702230	2	O-RING INCLUDED IN GASKET KIT 2
10	V837081095	1	OIL PIPE
11	V581804620	2	HEX SOCKET SCREW
12	V581804690	4	HEX SOCKET SCREW
13	V837081106	1	OIL FILLER CAP
14	V614603540	1	O-RING INCLUDED IN GASKET KIT 2
15	V528802180	2	HEX CAP SCREW
16	V837081372	1	WATER PIPE
17	V837081389	1	RUBBER HOSE
18	V837079660	1	OIL PRESSURE CONTROL VALVE
19	V836659521	1	VALVE SEAT [A]
20	V836667649	1	SPRING ASSEMBLY [A]
21	V837081174	1	SEALING WASHER INCLUDED IN GASKET KIT 2 [A]
22	V837081175	1	PLUG [A] [A] INCLUDED IN ITEM 18

MF 6711R TRACTOR (ECO4 / TIER 2 -3 ; BR)
AP1711305

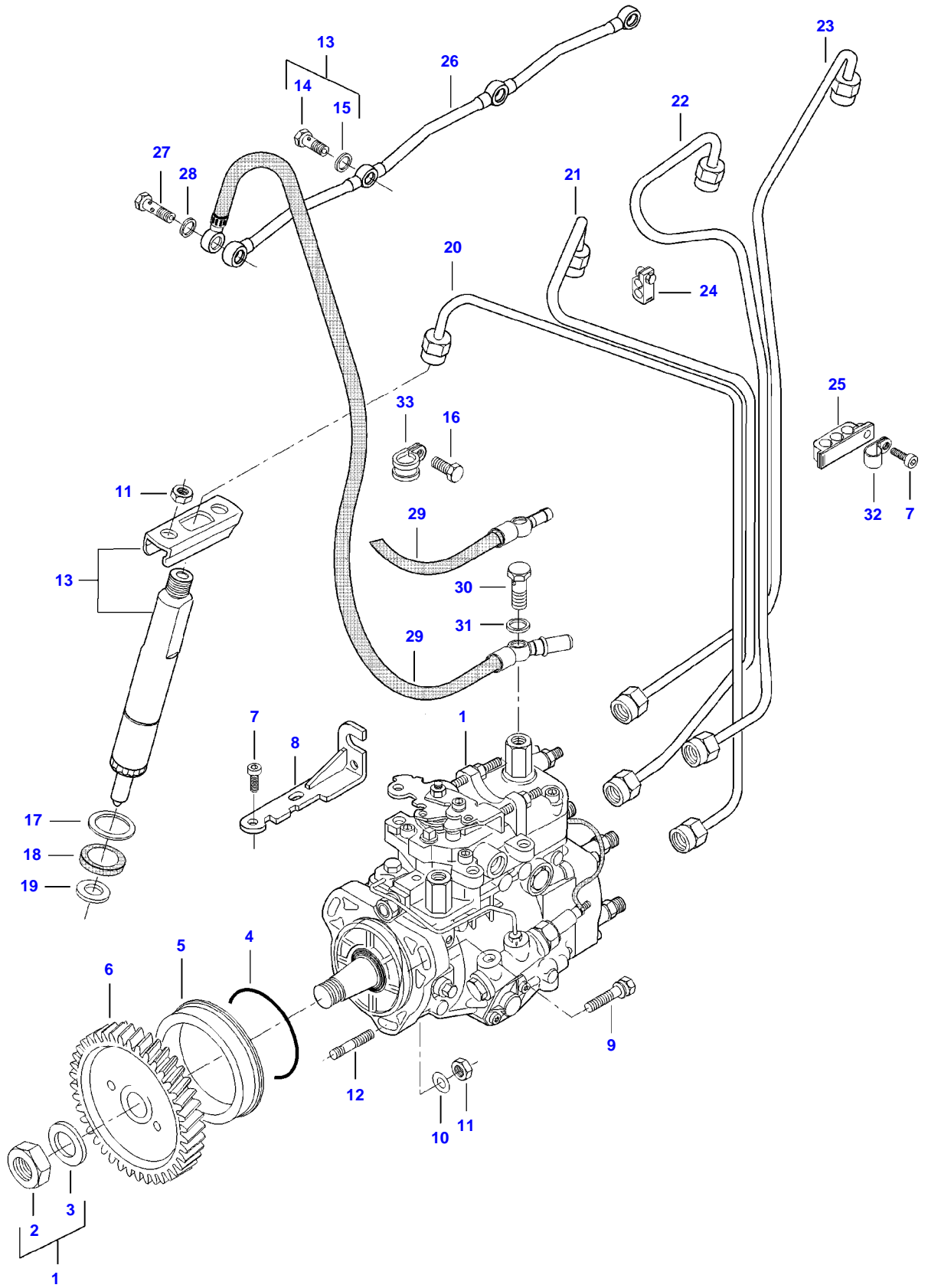
AP1711305



Item	Part Number	Qty	Description Comments
1	V837091844	1	KIT,WATER PUMP
2	V615881822	3	SEALING WASHER INCLUDED IN GASKET KIT 2 [A]
3	V640325018	3	PLUG [A]
4	V615881420	1	SEALING WASHER INCLUDED IN GASKET KIT 2 [A]
5	V640325014	1	PLUG [A]
6	V837081124	1	GASKET INCLUDED IN GASKET KIT 2 [A]
7	V614602550	2	O-RING INCLUDED IN GASKET KIT 1 [A]
8	V837081126	1	GASKET INCLUDED IN GASKET KIT 1 [A]
9	V837081125	1	GASKET INCLUDED IN GASKET KIT 1 [A]
10	V615881822	1	SEALING WASHER
11	V529801480	3	HEX CAP SCREW
12	V837081120	1	WATER PIPE
13	V837081473	1	THERM. HOUSING
14	V529801470	1	HEX CAP SCREW
15	V529801540	1	HEX CAP SCREW
16	V528801402	1	HEX CAP SCREW
17	V837081319	1	THERMOSTAT
18	V836640772	1	TEMPERATURE SENSOR.
19	V615881418	1	SEALING WASHER INCLUDED IN GASKET KIT 1
20	V837081395	1	HOSE COUPLER
21	V837081362	1	COVER
22	V581705070	2	HEX SOCKET SCREW
23	V640435006	1	BANJO BOLT
24	V837081034	1	WATER PIPE
25	V615871014	2	SEALING WASHER INCLUDED IN GASKET KIT 1 [A] INCLUDED IN ITEM 1

MF 6711R TRACTOR (ECO4 / TIER 2 -3 ; BR)
AP18J1634

AP18J1634





Suggest:

For more complete manuals. Please go to the home page.

<https://www.ebooklibonline.com>

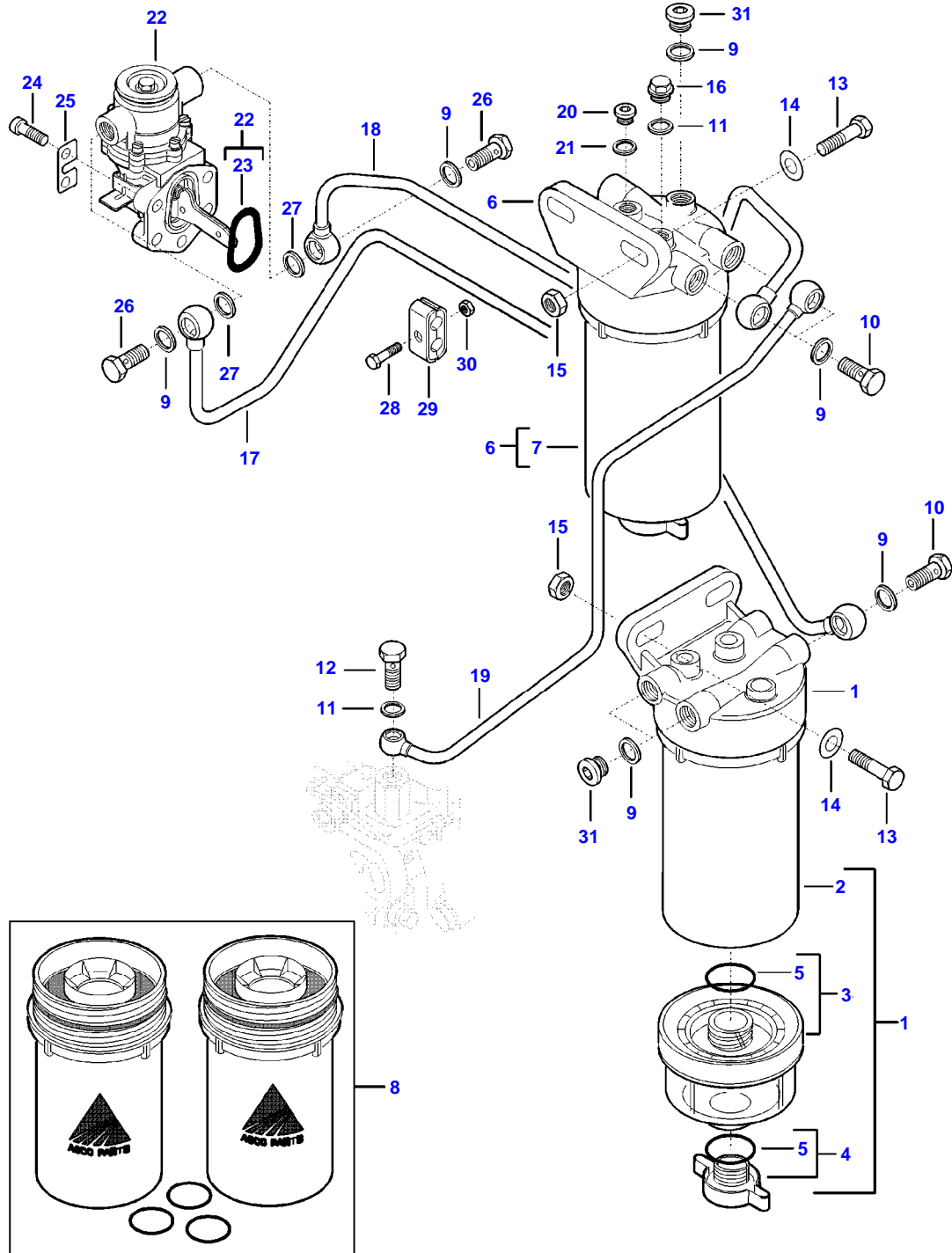
If the above button click is invalid. Please download this document first, and then click the above link to download the complete manual.

Thank you so much for reading

Item	Part Number	Qty	Description Comments
1	V836788583	1	INJECTION PUMP
2	V504611400	1	NUT [A]
3	V500451402	1	SPRING WASHER [A]
4	V614706326	1	O-RING INCLUDED IN GASKET KIT 2
5	V837081312	1	SLEEVE
6	V837081448	1	GEAR,INJ.PUMP
7	V581804182	4	HEX SOCKET SCREW
8	V837084737	1	BRACKET
9	V836659038	1	SCREW
10	V836120989	3	WASHER
11	V504800800	10	NUT
12	V546801410	2	STUD BOLT
13	V836764613	4	INJECTOR
14	V835331289	2	BANJO BOLT [B]
15	V615870610	8	SEALING WASHER INCLUDED IN GASKET KIT 1 [B]
16	V528801362	1	HEX CAP SCREW
17	V836652170	4	WASHER
18	V835336276	4	RUBBER RING INCLUDED IN GASKET KIT 1
19	V899901495	4	SEALING WASHER INCLUDED IN GASKET KIT 1
20	V837081440	1	INJECTION PIPE
21	V837081441	1	INJECTION PIPE
22	V837081442	1	INJECTION PIPE
23	V837081443	1	INJECTION PIPE
24	V836664517	1	BAND
25	V836664519	2	BAND
26	V836747520	1	INJECTOR OVERFLOW PIPE
27	V835336943	1	BANJO BOLT
28	V615870610	1	SEALING WASHER INCLUDED IN GASKET KIT 1
29	V836666796	1	FUEL HOSE UP TO ENGINE S/N
	V837081998	1	FUEL HOSE QUICK COUPLING STARTING FROM ENGINE SERIAL NUMBER
30	V836662530	1	BANJO BOLT
31	V615871218	4	SEALING WASHER
32	V602071608	2	HOSE CLIP
33	V602060612	1	RETAINER CLAMP [A] INCLUDED IN ITEM 1 [B] INCLUDED IN ITEM 13

MF 6711R TRACTOR (ECO4 / TIER 2 -3 ; BR)
AP1911307

AP1911307



<https://www.ebooklibonline.com>

Hello dear friend!

Thank you very much for reading.

Enter the link into your browser.

The full manual is available for immediate download.

<https://www.ebooklibonline.com>