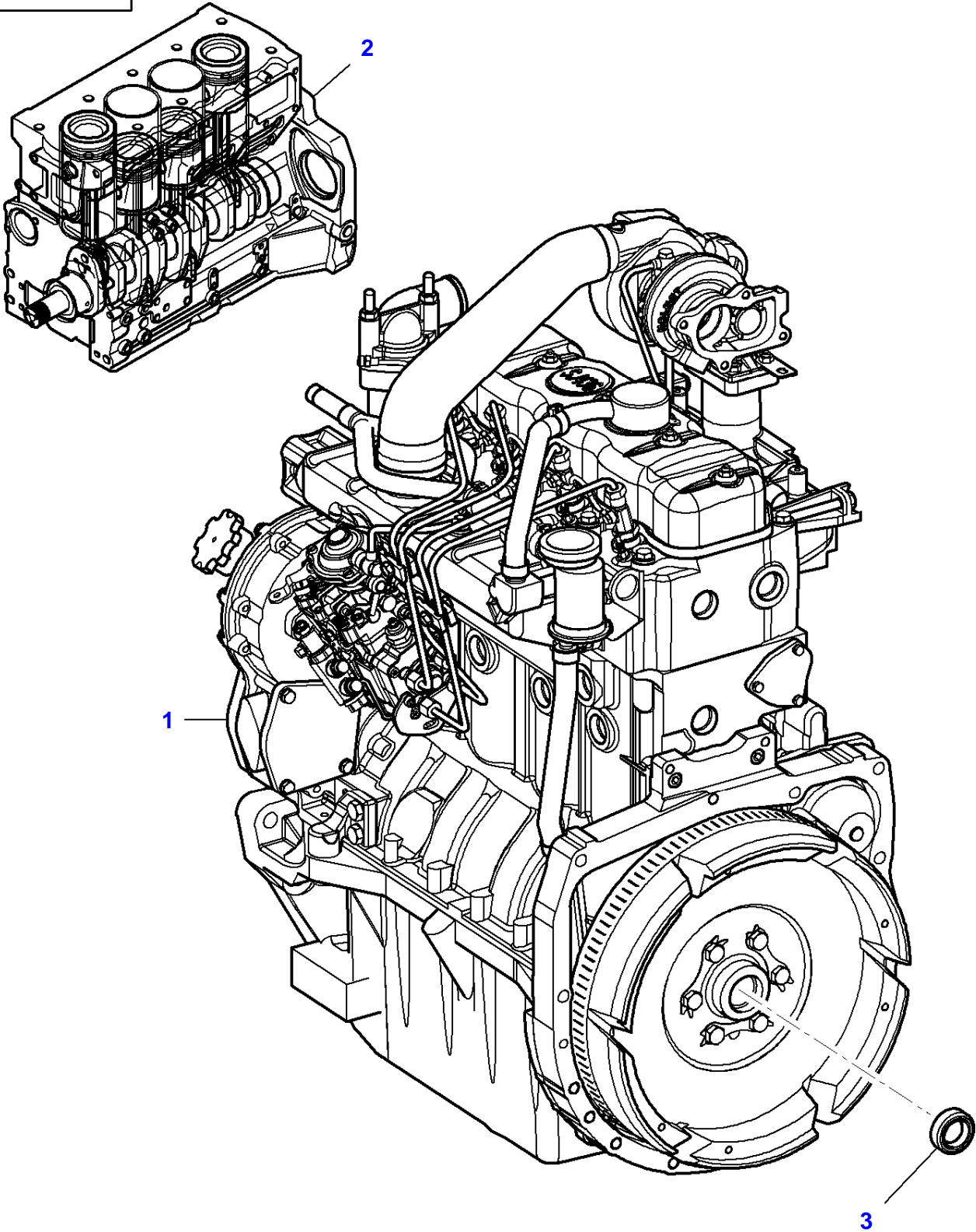

TABLE OF CONTENT**Page00-TOC**

Page Number	Page Title	Page Reference
01-000-TOC	ENGINE, FUEL AND EXHAUST SYSTEM	01-000-TOC
02-000-TOC	FRAME AND SUSPENSION	02-000-TOC
03-000-TOC	DRIVE TRAIN SYSTEM	03-000-TOC
04-000-TOC	ELECTRICAL SYSTEM	04-000-TOC
05-000-TOC	PLATFORM	05-000-TOC
06-000-TOC	CHASSIS	06-000-TOC
07-000-TOC	DECALS	07-000-TOC
08-000-TOC	LINKAGE	08-000-TOC
09-000-TOC	ACCESSORIES	09-000-TOC
10-000-TOC	GENERAL INFORMATION	10-000-TOC

0-0011-002-E



ENGINE

Page01-0001

Item	Part Number	Qty	Description Comments	Technical Specifcation
1	2718P00201	1	ENGINE UP TO MACHINE S/N FV-568420	SJ436E 63HP-LIST N?062
	2718P00301	1	ENGINE FROM MACHINE S/N FV-557470	SJ436E 63HP-LIST N?063
2	3906905M91	1	SHORT ENGINE ROTARY PUMP UP TO MACHINE S/N FV-568420	
	3906889M91	1	SHORT ENGINE INLINE FUEL INJECTION PUMP FROM MACHINE S/N FV-557470	
3	NS	X	NON-SERVICEABLE PART	

<https://www.ebooklibonline.com>

Hello dear friend!

Thank you very much for reading.

Enter the link into your browser.

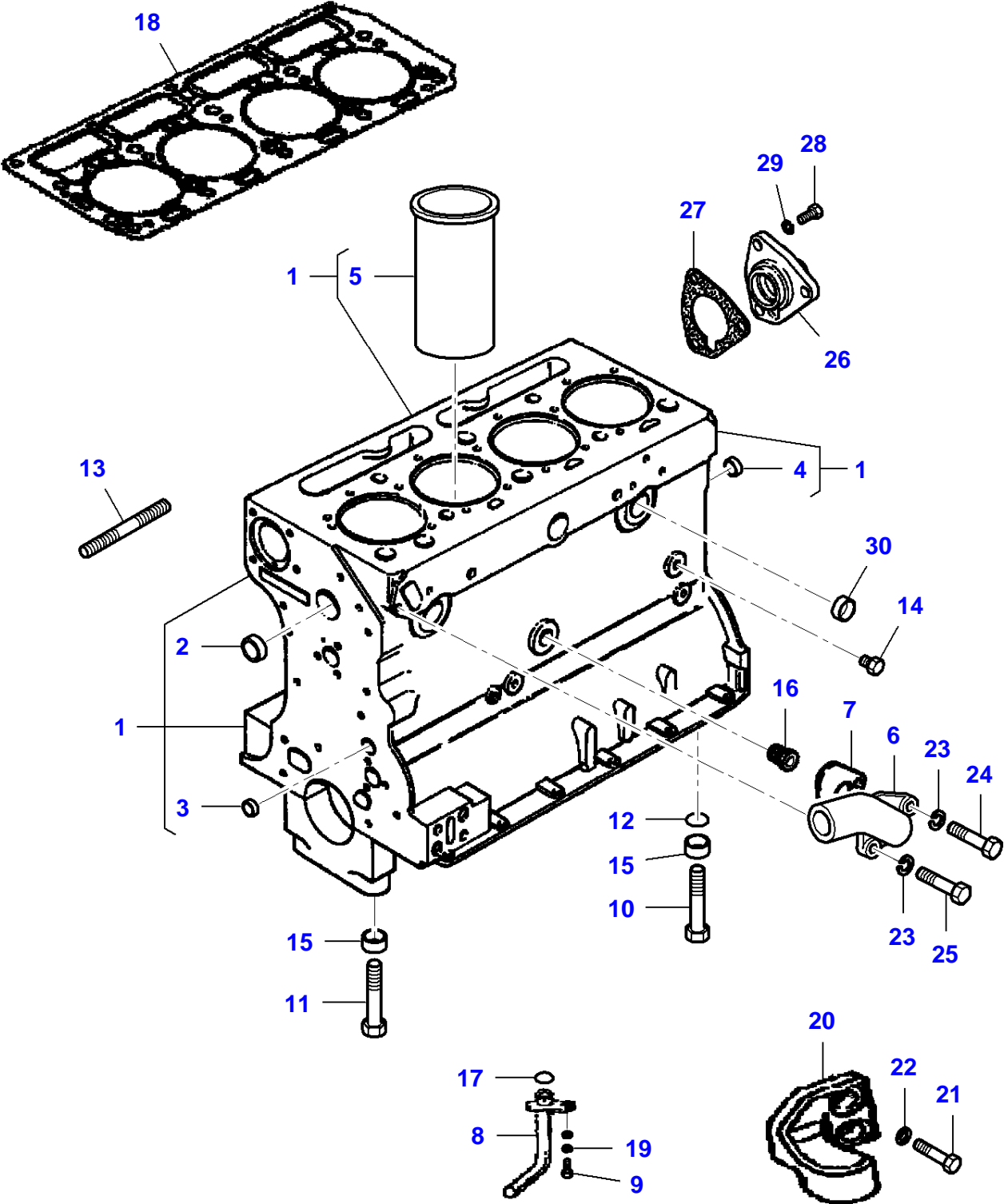
The full manual is available for immediate download.

<https://www.ebooklibonline.com>

FLYWHEEL

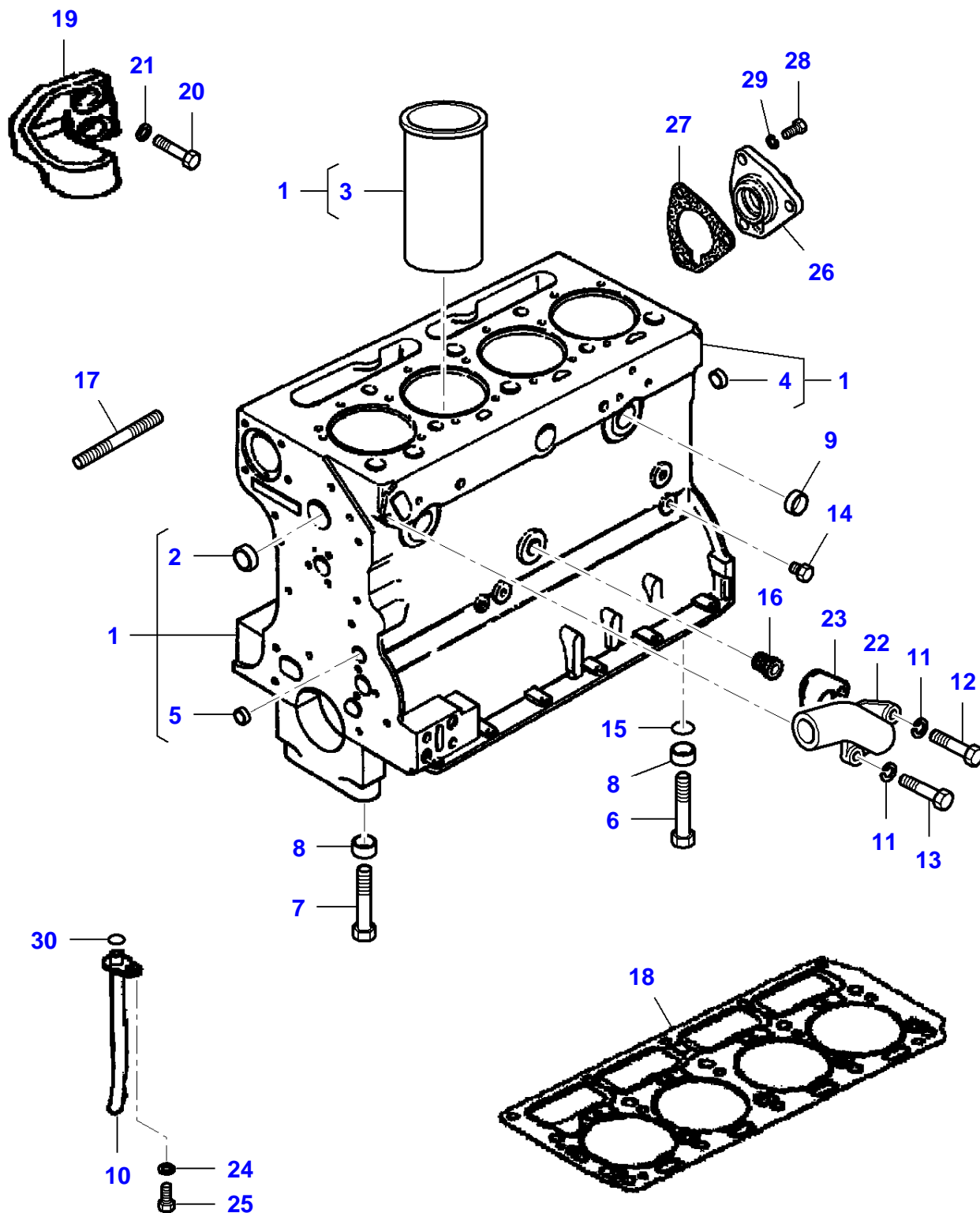
Item	Part Number	Qty	Description Comments	Technical Specification
1	731312M1	2	DOWEL	
2	3604480M1	1	JOINT	
3	3904988M1	1	OIL SEAL	
4	3604447M1	1	HOUSING	
5	353446X1	9	LOCK WASHER	5/16"
6	3604656M1	9	HEX CAP SCREW	
7	3604646M1	1	FLYWHEEL HOUSING	
8	731344M1	2	DOWEL	
9	3604725M1	6	STUD BOLT	
10	3604675M1	6	FLAT WASHER	
11	3604702M1	6	LOCKNUT	
12	3604652M1	2	HEX CAP SCREW	
13	3408364M91	1	FLYWHEEL ASSY.	
14	731008M1	1	STARTER RING	
15	3604719M1	6	HEX CAP SCREW	M12 X 35 (1.25) ISO 10.9
16	731192M1	3	TAB WASHER	
17	828123M2	1	BEAR.6203 2Z UP TO MACHINE S/N FX-788256	
	4256612M1	1	BEARING FROM MACHINE S/N FX-788257	
18	3906592M1	1	JOINT	

0-0560-021-A



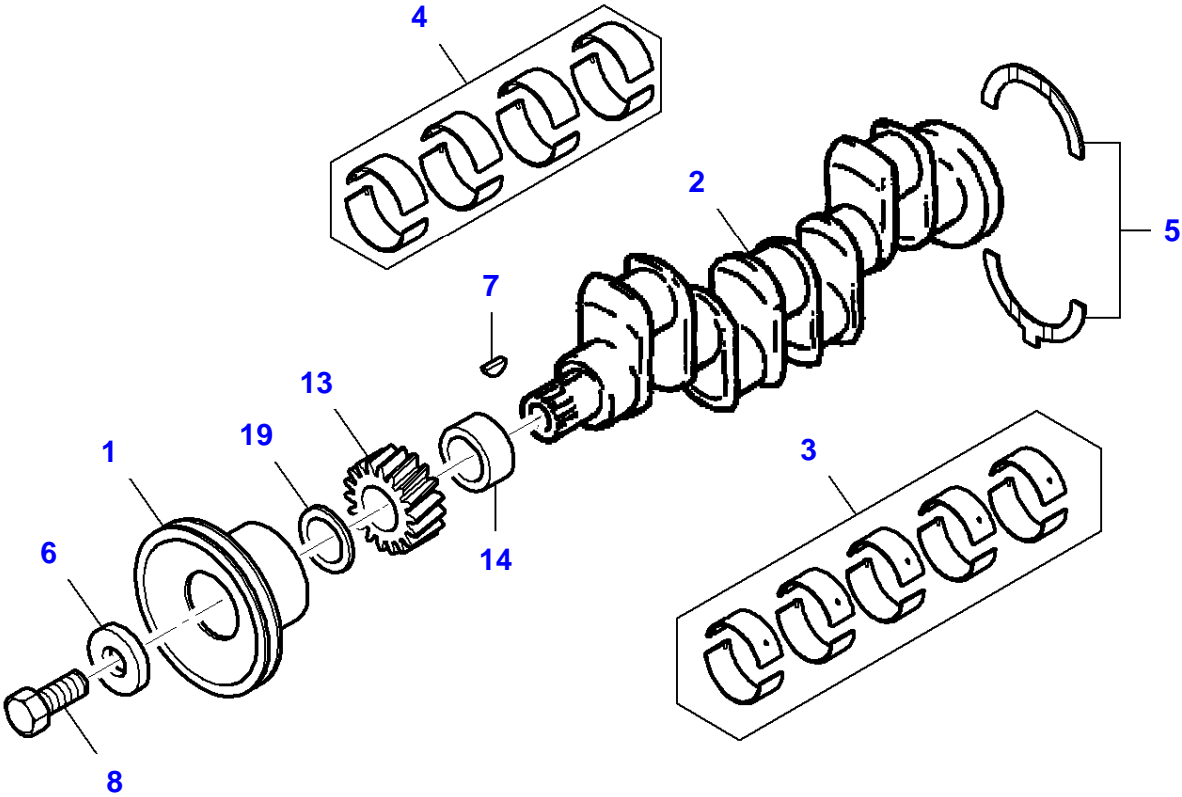
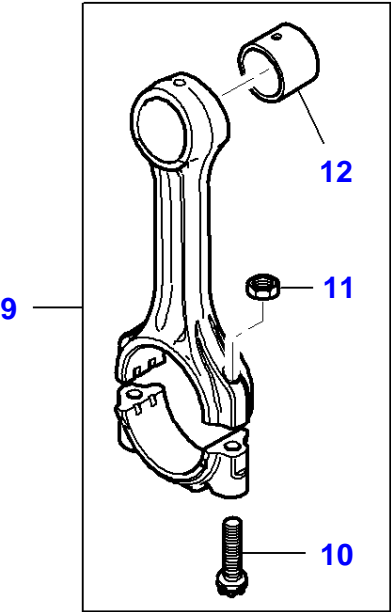
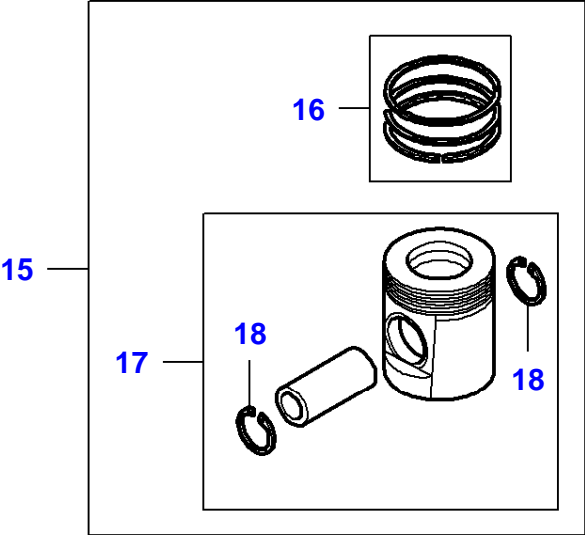
Item	Part Number	Qty	Description Comments	Technical Specification
1	3906546M91	1	CYLINDER-BLOCK INCLUDES ITEMS 2-5	
2	731354M1	10	PLUG	
3	3904983M1	1	PLUG	
4	731356M1	1	PLUG	?17,6 MM
5	3905776M1	4	LINER SEMI-FINISHED	
	3904972M1	X	LINER PRE-FINISHED	
6	3906545M1	1	CONNECTION UP TO ENGINE S/N SJ436 00971	
	3906583M1	1	CONNECTION FROM ENGINE S/N SJ436 00972	
	3906539M1	1	O-RING UP TO ENGINE S/N SJ436 00971	
7	3904965M1	1	JOINT	
8	3905264M1	1	PIPE	
9	3604656M1	1	HEX CAP SCREW	
10	3604537M1	2	HEX CAP SCREW	
11	3604538M1	8	HEX CAP SCREW	
12	1447053M1	2	O-RING	
13	3905853M1	1	STUD BOLT	
14	3904982M1	1	PLUG	
15	3604536M1	10	THIMBLE	
16	3904945M1	1	ADAPTER	
17	3904991M1	1	O-RING	
18	3905377M1	1	CYLINDER HEAD GASKET	
19	3906577M1	1	SPRING WASHER	
20	3905429M1	1	RIGHT HAND BRACKET	
21	3905782M1	2	HEX CAP SCREW	
22	353439X1	2	LOCK WASHER	1/2" ZN
23	375731X1	2	LOCK WASHER 5/16"	
24	3905449M1	1	HEX CAP SCREW	
25	3604656M1	1	HEX CAP SCREW	
26	3604677M1	1	COVER	
27	731209M1	1	JOINT	
28	3604656M1	3	HEX CAP SCREW	
29	353446X1	3	LOCK WASHER	5/16"
30	3904984M1	1	ADAPTER	F.3/4-14 NPSI/M 1"PTF

0-0560-020-B



Item	Part Number	Qty	Description Comments	Technical Specification
1	3906511M91	1	CYLINDER-BLOCK INCLUDES ITEMS 2-5	
2	731354M1	12	PLUG	
3	3905776M1	4	LINER SEMI-FINISHED	
	3904972M1	X	LINER PRE-FINISHED	
4	731356M1	1	PLUG	?17,6 MM
5	3904983M1	1	PLUG	
6	3604537M1	2	HEX CAP SCREW	
7	3604538M1	8	HEX CAP SCREW	
8	3604536M1	10	THIMBLE	
9	3904984M1	1	ADAPTER	F.3/4-14 NPSI/M 1"PTF
10	3906507M1	1	PIPE	
11	375731X1	2	LOCK WASHER	
12	3905301M1	1	HEX CAP SCREW	
13	3604656M1	1	HEX CAP SCREW	
14	3904982M1	1	PLUG	
15	1447053M1	2	O-RING	
16	3904945M1	1	ADAPTER	
17	3905853M1	1	STUD BOLT	
18	3905377M1	1	CYLINDER HEAD GASKET	
19	3905429M1	1	RIGHT HAND BRACKET	
20	3905782M1	2	HEX CAP SCREW	
21	353439X1	2	LOCK WASHER	1/2" ZN
22	3906545M1	1	CONNECTION UP TO ENGINE NUMBER SJ436 00971	
	3906583M1	1	CONNECTION FROM ENGINE S/N SJ436 00972	
	3906539M1	1	O-RING	
23	3904965M1	1	JOINT	
24	3906577M1	1	SPRING WASHER	
25	3604656M1	1	HEX CAP SCREW	
26	3604677M1	1	COVER	
27	731209M1	1	JOINT	
28	3604656M1	3	HEX CAP SCREW	
29	353446X1	3	LOCK WASHER	5/16"
30	3904991M1	1	O-RING	

0-0563-012-E

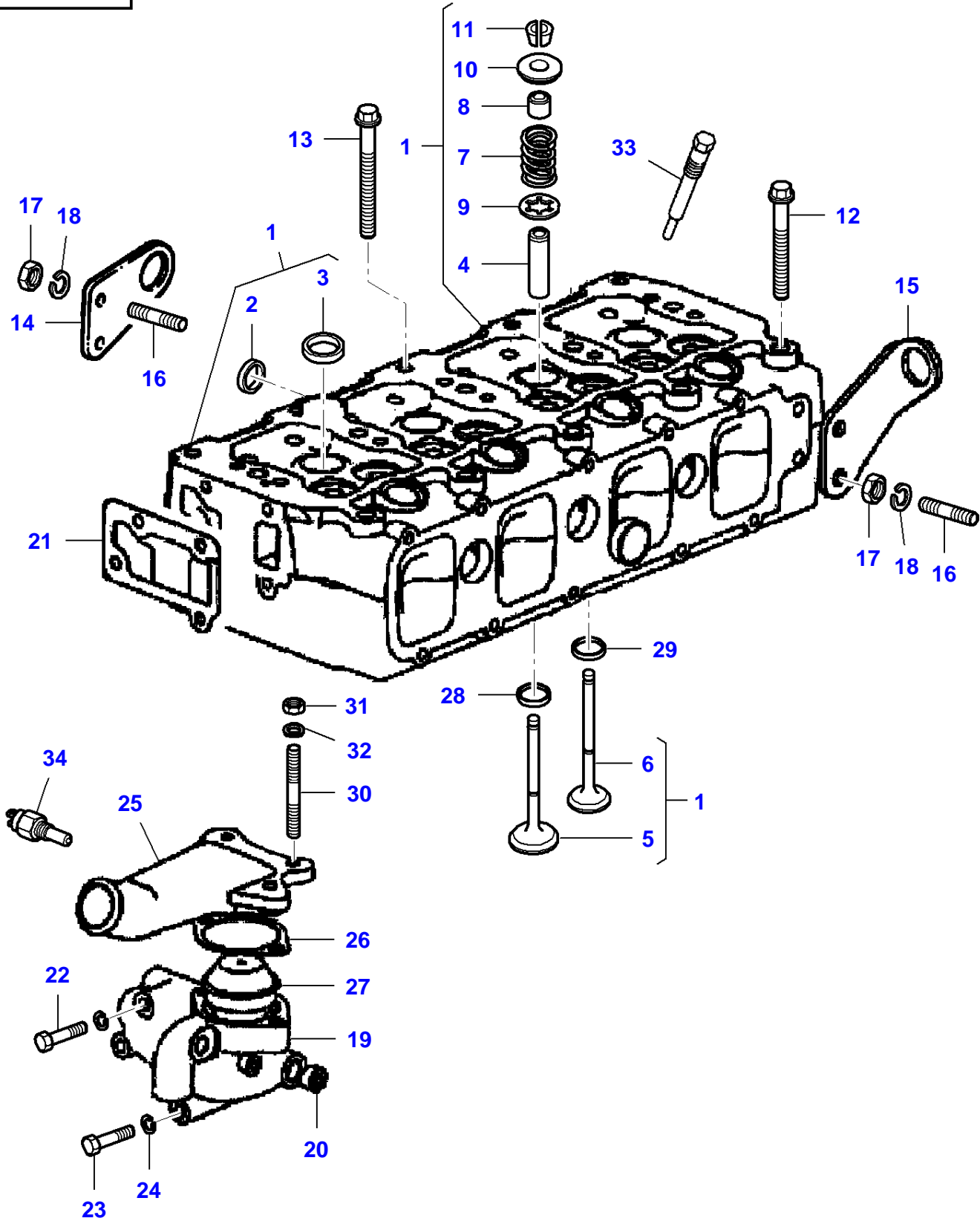


CRANKSHAFT, PISTONS & PISTON ROD

Page01-0005

Item	Part Number	Qty	Description Comments	Technical Specification
1	3905512M1	1	CRANKSHAFT PULLEY [A]	
	3904985M1	1	CRANKSHAFT PULLEY [B]	
2	3905430M1	1	CRANKSHAFT	S4 STD
3	3905435M1	1	KIT, BEARING	STD
	3905436M1	1	KIT, BEARING	0.010"
	3905437M1	1	KIT, BEARING	0.020?
	3905438M1	1	KIT, BEARING	0.030?
4	3604433M1	8	BEARING	
	3604434M1	8	BEARING	S = -0.25MM/-0.010"
	3604435M1	8	BEARING	S = -0.50MM/-0.020"
	3604436M1	8	BEARING	S = -0.75MM/-0.030"
5	3604437M1	1	KIT, WASHER "Standard"	
	3604438M1	1	KIT, WASHER THICKNESS (+) 0,007"	
6	731376M1	1	WASHER	
7	731076M1	1	WOODRUFF KEY	
8	3604717M1	1	HEX CAP SCREW	
9	3604445M91	4	KIT, CONROD INCLUDES ITEMS 10-12	
10	375756X1	2	HEX CAP SCREW	
11	3639947M1	2	NUT	7/16"-20
12	3604562M1	1	BUSH	
13	3905292M1	1	GEAR,CRANKSHAFT	
14	3905291M1	1	SPACER	
15	3905278M91	1	KIT, PISTON/RING INCLUDES ITEMS 16-18	
16	3905261M91	1	KIT, RING	
17	3905406M91	4	KIT, PISTON INCLUDES ITEMS 18	
18	375709X1	2	CIRCLIP	
19	745057M1	1	WASHER	
			[A] WITH ROTARY PUMP - UP TO FV-568420	
			[B] WITH INLINE F.I.P - FROM FV-557470	

0-0566-017-B

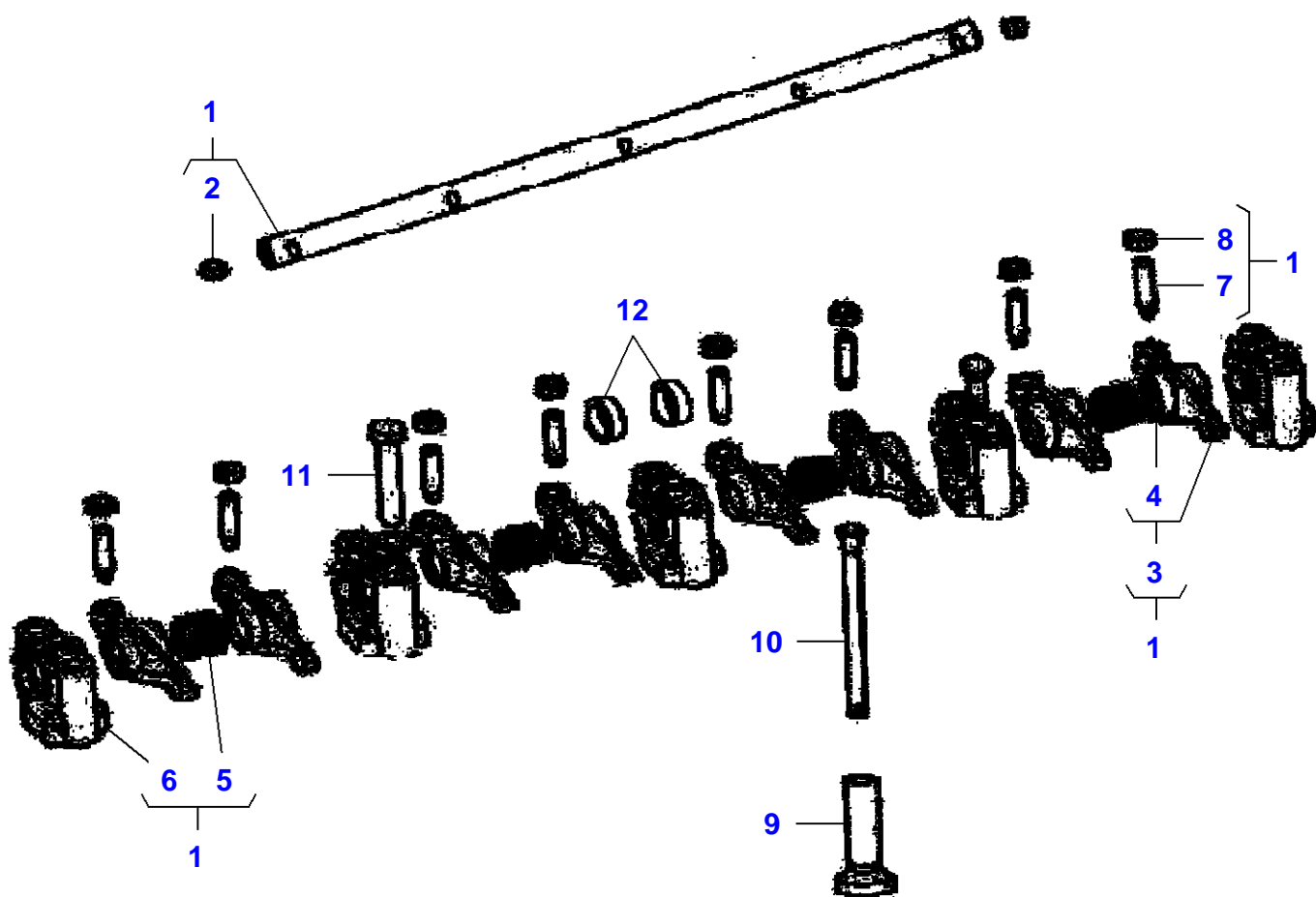


CYLINDER HEAD

Page01-0006

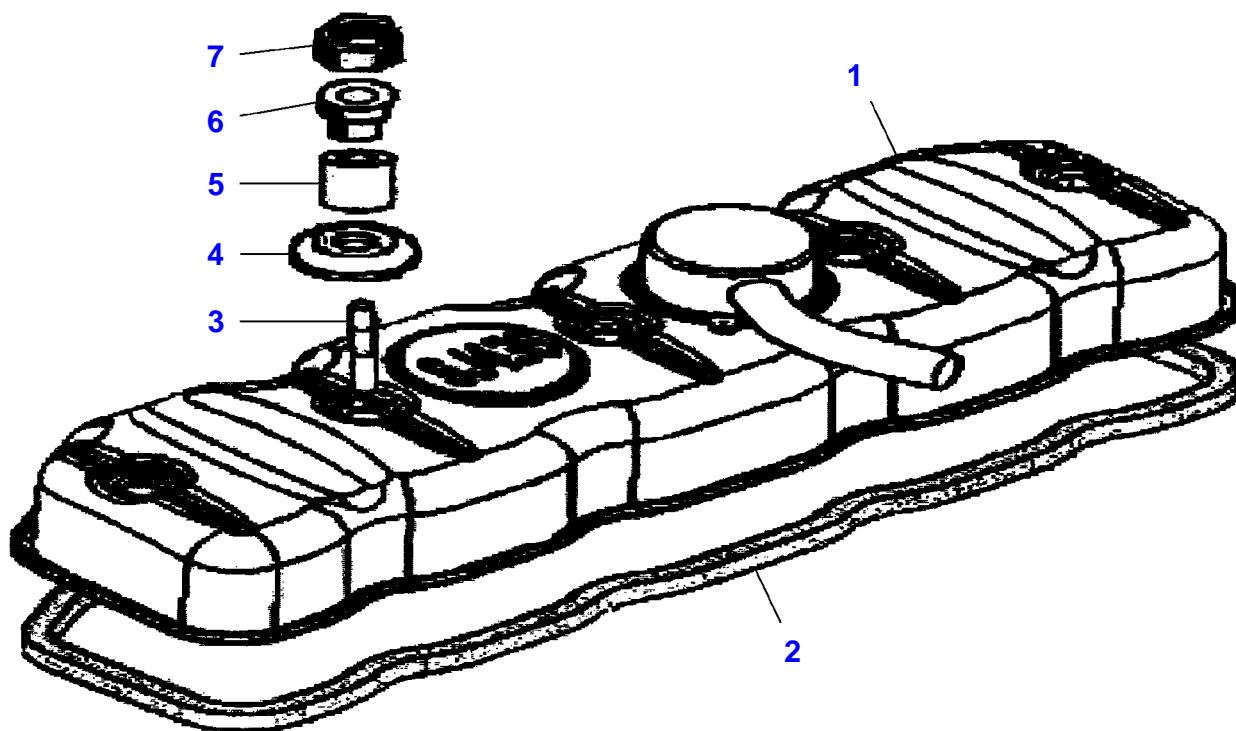
Item	Part Number	Qty	Description Comments	Technical Specification
1	3906951M91	1	KIT, CYL. HEAD INCLUDES ITEMS 2-11	
2	731856M1	3	PLUG	
3	731354M1	9	PLUG	
4	3904958M1	8	GUIDE	
	ACP0300950	X	GUIDE	PRE-FINISHED
5	3905252M1	4	INLET VALVE	
6	3905253M1	4	EXHAUST VALVE	
7	3904999M1	8	SPRING	
8	3904989M1	8	SEAL	
9	737645M1	8	WASHER	
10	731156M1	8	CAP	
11	731155M1	16	COTTER	
12	3904995M1	8	HEX CAP SCREW [A]	
	3904995M1	10	HEX CAP SCREW [B]	
13	3904996M1	4	HEX CAP SCREW [A]	
	3904996M1	5	HEX CAP SCREW [B]	
14	3905259M1	1	PLATE	
15	3604678M1	1	PLATE	
16	3604724M1	4	STUD BOLT	
17	3604702M1	4	LOCKNUT	
18	3604675M1	4	FLAT WASHER	
19	3906579M1	1	BODY	
20	4224584M1	1	PLUG	
21	3904964M1	1	JOINT	
22	3604710M1	2	HEX CAP SCREW	
23	3904994M1	2	HEX CAP SCREW	
24	353446X1	4	LOCK WASHER	5/16"
25	3604456M1	1	CONNECTION [A]	
	3906580M1	1	CONNECTION [B]	
26	1650482M1	1	JOINT	
	3908773M1	1	JOINT	
27	3905283M1	1	THERMOSTAT	
28	3904959M1	4	INSERT	
29	3904960M1	4	INSERT	
30	3905305M1	2	STUD BOLT	
31	3604702M1	2	LOCKNUT	
32	3604675M1	2	FLAT WASHER	
	3904956M1	1	SPACER	
33	3906517M1	4	GLOW PLUG	
34	3905285M1	1	TEMPERATURE SENSOR.	
		X	TEMPERATURE SENSOR [C] [A] WITH ROTARY PUMP - UP TO FV-568420 [B] WITH INLINE F.I.P - FROM FV-557470 [C] NOT USED	

0-0569-012-B



Item	Part Number	Qty	Description Comments	Technical Specification
1	3905410M91	1	ROCKER SHAFT INCLUDES ITEMS 2-8	
2	731330M1	2	PLUG	
3	3905263M91	8	ROCKER ARM INCLUDES ITEMS 4	
4	3904941M1	1	BUSH	
5	3905000M1	4	SPRING	
6	3905581M1	5	ROCK.ARM BRACKET	
7	3904987M1	8	GRUB SCREW	
8	3904975M1	8	LOCKNUT	
9	3905251M1	8	TAPPET	
10	3904986M1	8	ROD	
11	3904993M1	10	HEX CAP SCREW	
	353446X1	10	LOCK WASHER	5/16"
12	3906534M1	2	SPACER	

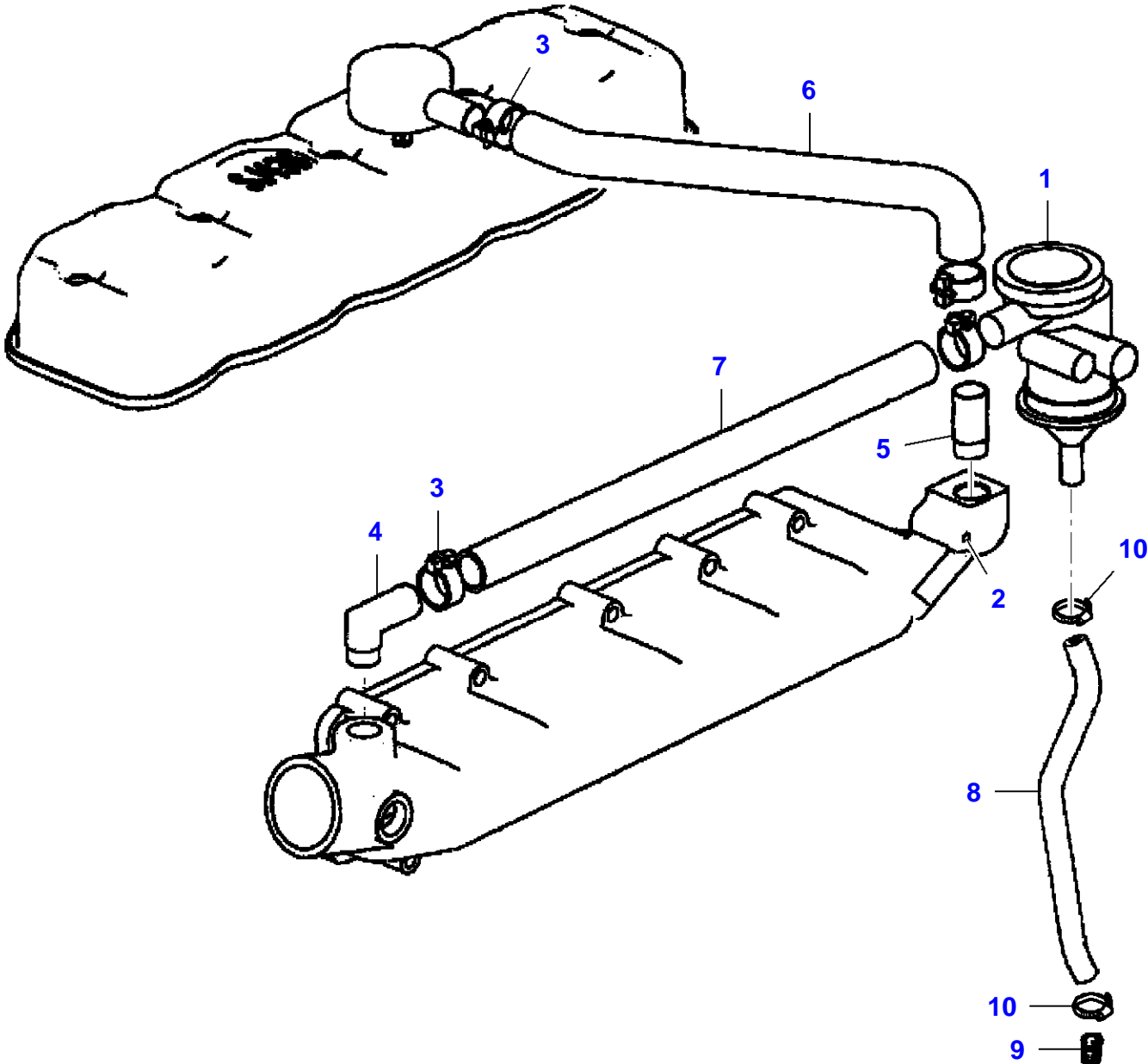
8018888-0-A



ENGINE - CYLINDER HEAD COVER

Item	Part Number	Qty	Description Comments
1	3905413M91	1	CYLINDER HEAD COVER.
2	3906570M1	1	COVER GASKET
3	3905249M1	5	STUD BOLT
4	3905461M1	5	SEALING WASHER
5	3906542M1	5	SLEEVE
6	3906540M1	5	RUBBER SEAL
7	3604703M1	5	NUT

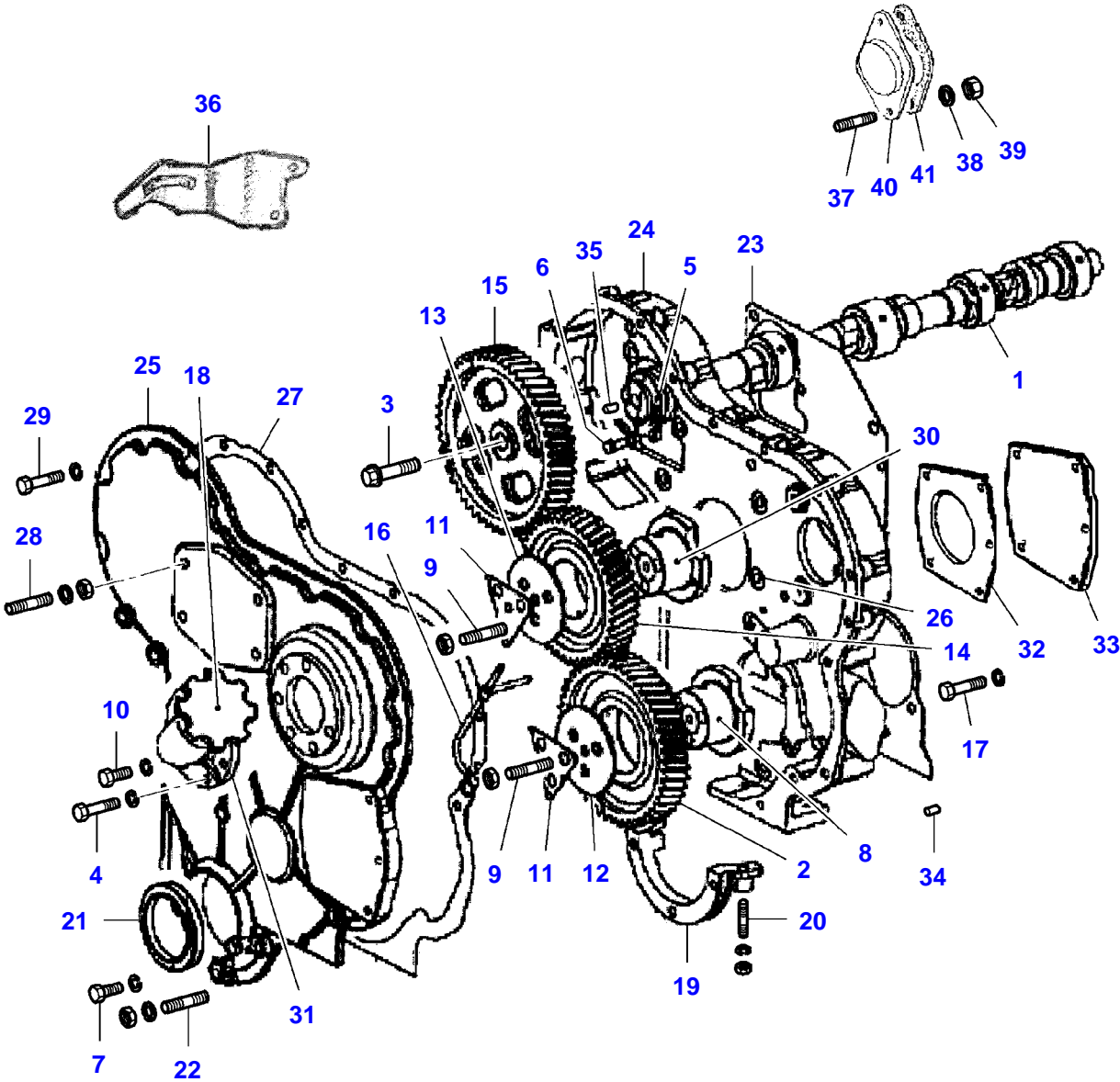
0-0614-002-B



ENGINE - BREATHER

Page01-0009

Item	Part Number	Qty	Description Comments	Technical Specification
1	3905267M1	1	BREATHER	
2	3905387M1	1	HEX CAP SCREW	
	353441X1	1	LOCK WASHER	1/4" ZN
3	3641405M1	4	HOSE CLIP	?16-27 X 13 MM
4	3905472M1	1	PIPE	
			[A]	
	3905381M1	1	ELBOW	
			[B]	
5	3904980M1	1	PIPE	
6	3904981M1	1	HOSE	
7	3905473M1	1	HOSE	
			[A]	
	3904977M1	1	HOSE	
			[B]	
8	3904978M1	1	HOSE	
9	3904976M1	1	PIPE	
10	375790X1	2	HOSE CLIP	DIAM 12-22 MM
			[A] WITH ROTARY PUMP - UP TO FV-568420	
			[B] WITH INLINE F.I.P - FROM FV-557470	



ENGINE - TIMING GEAR HOUSING

Page01-0010

Item	Part Number	Qty	Description Comments	Technical Specification
1	3905480M1	1	CAMSHAFT	
2	3905439M1	1	IDLER GEAR	
3	3637082M1	1	HEXAGON FLANGE BOLT	
4	3604708M1	6	HEX CAP SCREW UP TO ENGINE S/N SJ436 09042	
	3908888M1	6	HEXAGON FLANGE BOLT FROM ENGINE S/N SJ436 09043	M6 X 1 X 10 朠SO 10.9
	353441X1	6	LOCK WASHER	1/4" ZN
5	3604656M1	2	HEX CAP SCREW	
	3904954M1	2	THRUST WASHER	
6	3604718M1	3	HEX CAP SCREW	
	353441X1	3	LOCK WASHER	1/4" ZN
7	3905300M1	1	HEX CAP SCREW UP TO ENGINE S/N SJ436 09042	
	3908886M1	1	HEXAGON FLANGE BOLT FROM ENGINE S/N SJ436 09043	M8 X 1.25 X 70 X 22 朠SO 10.9
	353446X1	1	LOCK WASHER	5/16"
8	3905441M1	1	GEAR	
9	3905303M1	6	STUD BOLT	
	3604702M1	6	LOCKNUT	
10	3604713M1	6	HEXAGONAL HEAD BOLT UP TO ENGINE S/N SJ436 09042	M8 X 30
	3908883M1	6	HEXAGON FLANGE BOLT FROM ENGINE S/N SJ436 09043	M8 X 1.25 X 30 朠SO 10.9
	3604710M1	1	HEX CAP SCREW UP TO ENGINE S/N SJ436 09042	
	3908885M1	1	HEXAGON FLANGE BOLT FROM ENGINE S/N SJ436 09043	M8 X 1.25 X 80 X 22 朠SO 10.9
	353446X1	7	LOCK WASHER	5/16"
11	3905306M1	2	TAB WASHER	
12	3905308M1	1	PLATE	
13	3905307M1	1	PLATE	
14	3905293M1	1	IDLER GEAR ROTARY PUMP UP TO MACHINE S/N FV-568420	
	3905868M1	1	IDLER GEAR INLINE FUEL INJECTION PUMP FROM MACHINE S/N FV-557470	
15	3904935M1	1	GEAR,CAMSHAFT	
16	3905311M91	1	PIPE	
	3905290M1	1	BANJO BOLT	
	3604672M1	2	SEALING WASHER	
17	3604660M1	1	HEX CAP SCREW	
	353446X1	1	LOCK WASHER	5/16"
18	3905281M91	1	OIL FILLER ENGINE 2718P00201 - LIST N?062	
	3641889M1	1	CAP ENGINE 2718P00201 - LIST N?062	
	3905281M91	1	OIL FILLER ENGINE 2718P00301 - LIST N?063 UP TO ENGINE S/N SJ436 23125	
	3641889M1	1	CAP ENGINE 2718P00301 - LIST N?063 UP TO ENGINE S/N SJ436 23125	

ENGINE - TIMING GEAR HOUSING

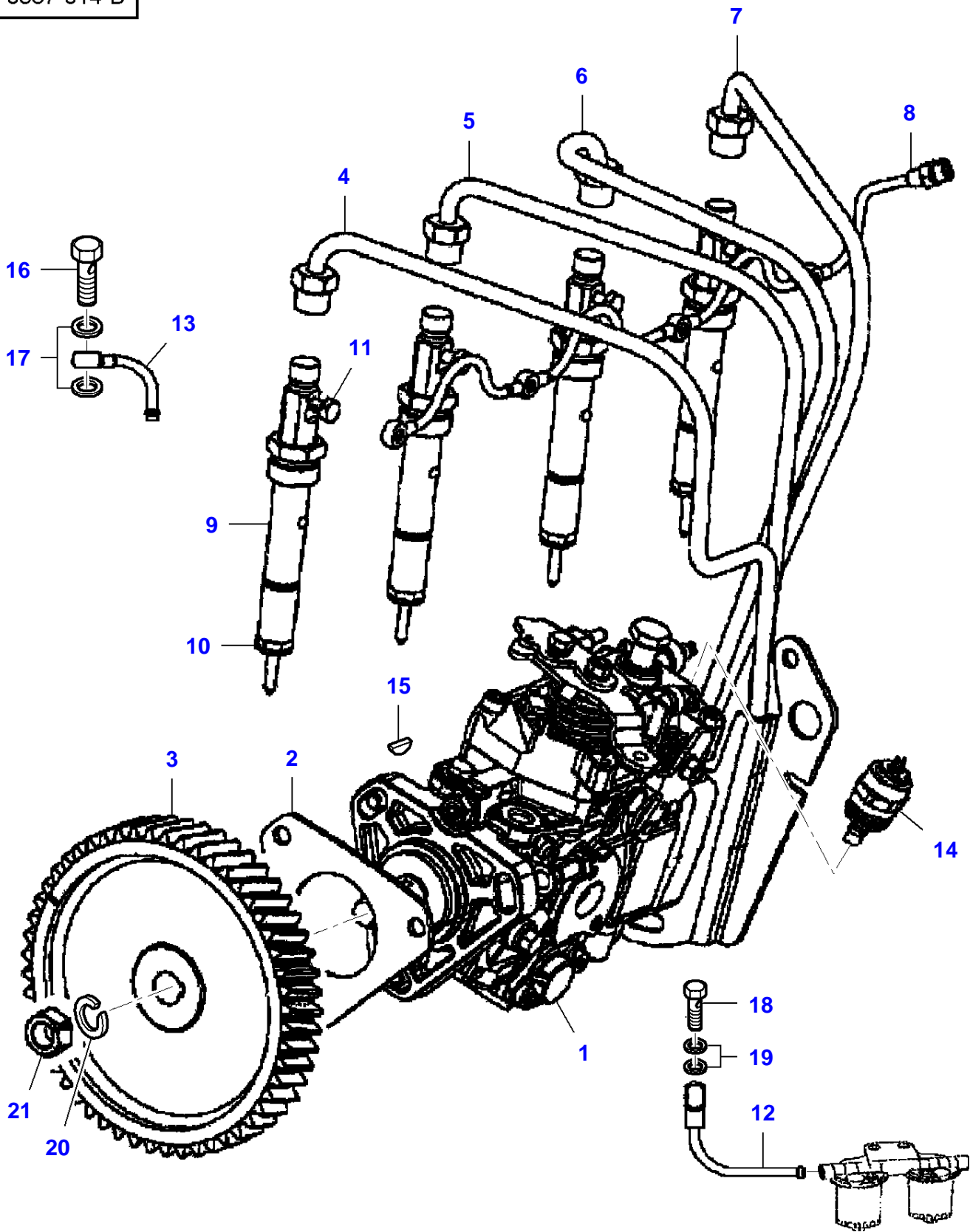
Item	Part Number	Qty	Description Comments	Technical Specification
18	ACP0312230	1	OIL FILLER ENGINE 2718P00301 - LIST N?063 FROM ENGINE S/N SJ436 23126	
19	3604461M1	1	BRIDGE PIECE UP TO ENGINE NUMBER SJ436E 01638 ROTARY PUMP UP TO MACHINE S/N FV-568420	
19	3905357M1	1	BRIDGE PIECE FROM ENGINE S/N SJ436E 01363 UP TO ENGINE NUMBER SJ436E 03069 INLINE FUEL INJECTION PUMP FROM MACHINE S/N FV-557470	
19	3905357M1	1	BRIDGE PIECE FROM ENGINE S/N SJ436E 03070 INLINE FUEL INJECTION PUMP	
20	3604727M1	2	STUD BOLT	
20	353446X1	2	LOCK WASHER	5/16"
20	3604701M1	2	NUT	
21	1447689M1	1	SEAL	
22	3905515M1	6	STUD BOLT	
22	353446X1	6	LOCK WASHER	5/16"
22	3604701M1	6	NUT UP TO ENGINE S/N SJ436 09042	
22	3604701M1	5	NUT FROM ENGINE S/N SJ436 09043	
22	3908887M1	1	HEX FLANGE NUT FROM ENGINE S/N SJ436 09043	M8 X 1 跳SO 8
23	3908968M1	1	GASKET	
24	3905371M1	1	TIMING CASE ROTARY PUMP UP TO MACHINE S/N FV-568420	
24	3906874M1	1	TIMING CASE UP TO ENGINE NUMBER SJ436 E 04944 INLINE FUEL INJECTION PUMP FROM MACHINE S/N FV-557470	
24	3908613M1	1	TIMING CASE FROM ENGINE S/N SJ436 E 04945 INLINE FUEL INJECTION PUMP FROM MACHINE S/N FV-557470	
25	3906547M1	1	TIMINGGEAR COVER	
26	3604709M1	8	HEX CAP SCREW	
26	353446X1	8	LOCK WASHER	5/16"
27	3906537M1	1	JOINT	
28	3905247M1	4	STUD BOLT	
28	353446X1	4	LOCK WASHER	5/16"
28	3604701M1	4	NUT	
29	3604711M1	3	HEX CAP SCREW UP TO ENGINE S/N SJ436 09042	
29	3908884M1	3	HEXAGON FLANGE BOLT FROM ENGINE S/N SJ436 09043	M8 X 1.25 X 40 X 22 跳SO 10.9

ENGINE - TIMING GEAR HOUSING

Page01-0010

Item	Part Number	Qty	Description Comments	Technical Specification
29	3604709M1	10	HEX CAP SCREW UP TO ENGINE S/N SJ436 09042	
29	3908883M1	10	HEXAGON FLANGE BOLT FROM ENGINE S/N SJ436 09043	M8 X 1.25 X 30 朠SO 10.9
29	353446X1	10	LOCK WASHER	5/16"
30	3905296M1	1	HUB	
31	3904971M1	1	JOINT	
32	3905298M1	1	JOINT	
33	3905997M1	1	PLATE	
34	731344M1	2	DOWEL	
35	731368M1	1	DOWEL	
36	3905309M1	1	POINTER	
37	3604728M1	2	STUD BOLT	
38	353446X1	2	LOCK WASHER	5/16"
39	3604701M1	2	NUT	
40	3905401M1	1	BLANKING PLATE	
41	3904898M1	1	JOINT	

0-0587-014-D





Suggest:

For more complete manuals. Please go to the home page.

<https://www.ebooklibonline.com>

If the above button click is invalid. Please download this document first, and then click the above link to download the complete manual.

Thank you so much for reading

INJECTION PUMP

WITH ROTARY PUMP - UP TO F.V 568420

Item	Part Number	Qty	Description Comments	Technical Specification
1	3905427M91	1	INJECTION PUMP	
	ACP0246920	1	CONTROL UNIT	
2	3906555M1	1	JOINT	
3	3908616M1	1	PUMP GEAR	
4	3905419M1	1	PIPE No. 1	
5	3905420M1	1	PIPE No. 2	
6	3905421M1	1	PIPE No. 3	
7	3905422M1	1	PIPE No. 4	
8	3905457M1	1	FUEL PIPE	
9	3905428M91	4	INJECTOR	
10	3905256M1	4	WASHER	
11	3604611M1	4	BANJO BOLT	M8 X 8 X 8
	3604672M1	4	SEALING WASHER	
12	3905276M1	1	FUEL PIPE	
13	3905275M1	1	FUEL PIPE	
14	3905285M1	1	TEMPERATURE SENSOR.	
15	3906873M1	1	WOODRUFF KEY	
16	3906869M1	1	BANJO BOLT	
17	3906870M1	2	SEALING WASHER	
18	3906830M1	1	BANJO BOLT	
19	3905400M1	2	SEALING WASHER	
20	3906871M1	1	LOCK WASHER	
21	3906872M1	1	NUT	

<https://www.ebooklibonline.com>

Hello dear friend!

Thank you very much for reading.

Enter the link into your browser.

The full manual is available for immediate download.

<https://www.ebooklibonline.com>