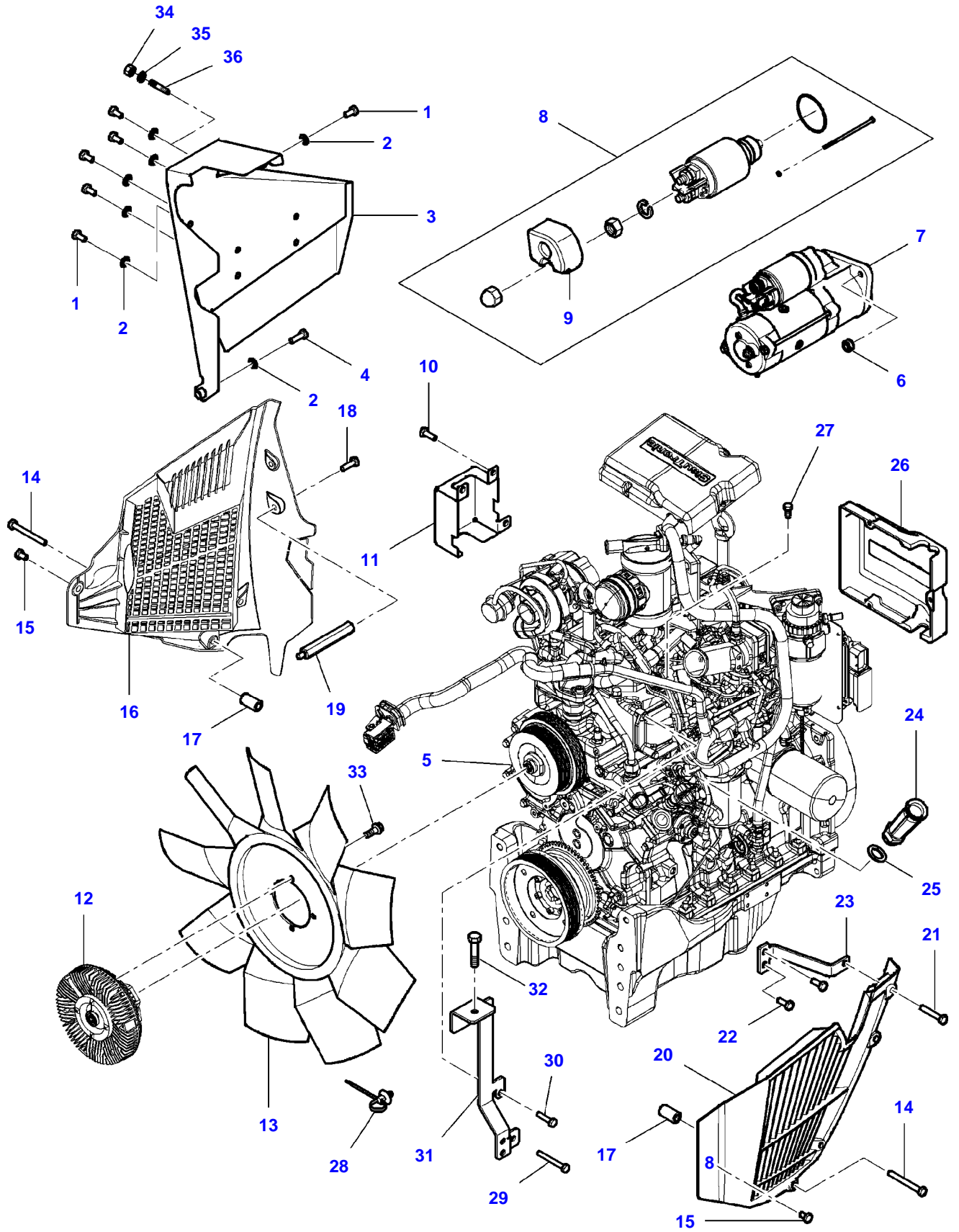


<b>Page Number</b>	<b>Page Title</b>	<b>Page Reference</b>
01-000-TOC	ENGINE, FUEL AND EXHAUST SYSTEM	01-000-TOC
02-000-TOC	AXLES	02-000-TOC
03-000-TOC	STEERING SYSTEM	03-000-TOC
04-000-TOC	DRIVE TRAIN SYSTEM	04-000-TOC
05-000-TOC	BRAKE SYSTEM	05-000-TOC
06-000-TOC	HYDRAULIC SYSTEM	06-000-TOC
07-000-TOC	ELECTRICAL SYSTEM	07-000-TOC
08-000-TOC	CAB	08-000-TOC
09-000-TOC	CHASSIS	09-000-TOC
10-000-TOC	DECALS	10-000-TOC
11-000-TOC	WHEELS	11-000-TOC
12-000-TOC	IMPLEMENT DRIVE SYSTEM	12-000-TOC
13-000-TOC	IMPLEMENT LIFT SYSTEM REAR	13-000-TOC
14-000-TOC	LINKAGE	14-000-TOC
15-000-TOC	FRONT/REAR LOADERS	15-000-TOC
16-000-TOC	ACCESSORIES	16-000-TOC
17-000-TOC	GENERAL INFORMATION	17-000-TOC

MF 5608 TRACTOR (C339061 - H349047)  
8026418-1-2



Item	Part Number	Qty	Description Comments	Technical Specification
1	339124X1	X	HEXAGONAL HEAD BOLT	M8 X 16 (1.25) ISO 8.8 ZN
2	390972X1	X	FLAT WASHER	M8 ZN
3	4384738M2	1	COWL	
4	339761X1	1	HEXAGONAL HEAD BOLT	M8 X 25 (1.25) ISO 8.8 ZN
5	V834277151	1	ENGINE UP TO MACHINE S/N D067005	33 AWI
	V834277204	1	ENGINE FROM MACHINE S/N D067006	33 AWI
	V834277323	1	ENGINE [C]	33 AWI
	V864277153X	1	SHORT BLOCK ENGINE [A]	33 AWI
	V834277288	1	ENGINE	33 AWI
	V834277206	1	ENGINE	33 AWI
	V834277534	1	ENGINE	33 AWI
6	339402X1	3	HEX NUT	M10 (1.5) ISO 8 ZN
	V864277206X	1	SHORT BLOCK ENGINE [A][C]	33 AWI
7	4377659M3	1	STARTERMOTOR	12V 3,2KW
8	3909656M91	1	KIT, SOLENOID (7)	
9	4382331M1	1	COVER	
10	339124X1	3	HEXAGONAL HEAD BOLT	M8 X 16 (1.25) ISO 8.8 ZN
11	4385089M1	1	COWL	
12	ACP0233550	1	CLUTCH	
13	4355817M1	1	FAN	
14	390246X1	2	HEXAGONAL HEAD BOLT	M8 X 70 (1.25) ISO 8.8 ZN
15	339228X1	2	HEXAGONAL HEAD BOLT	M8 X 12 (1.25) ISO 8.8 ZN
16	4378531M3	1	RIGHT HAND COWL	
17	4379862M1	2	SPACER	?9-18 X 30,5 MM
18	339761X1	1	HEXAGONAL HEAD BOLT	M8 X 25 (1.25) ISO 8.8 ZN
19	4386315M1	1	SPACER	
20	4378530M3	1	LEFT HAND COWL	
21	339011X1	1	HEXAGONAL HEAD BOLT	M8 X 45 (1.25) ISO 8.8 ZN
22	339123X1	2	HEXAGONAL HEAD BOLT	M8 X 20 (1.25) ISO 8.8 ZN
23	4383456M1	1	SUPPORT	
24	4377710M4	1	TUBE	
25	3011409X1	1	O RING	?34,52 X 3,53 MM DIDC 70 PL
26	V837073901	1	COVER	
27	391269X1	1	HEXAGONAL HEAD BOLT	M16 X 30 (2.0) ISO 8.8 ZN
28	4278314M1	2	CLAMP	
29	339159X1	1	HEXAGONAL HEAD BOLT [B]	M8 X 65 (1.25) ISO 8.8 ZN
30	339009X1	1	HEXAGONAL HEAD BOLT [B]	M8 X 35 (1.25) ISO 8.8 ZN
31	4383014M1	1	SUPPORT [B]	
32	339010X1	1	HEXAGONAL HEAD BOLT [B]	M8 X 40 (1.25) ISO 8.8 ZN
33	F339202040040	4	LOCK SCREW	M8X1,25
34	339169X1	4	HEX NUT FROM MACHINE S/N VKKMV58PKHB198074	M8 (1.25) ISO 8 ZN
35	390972X1	4	FLAT WASHER FROM MACHINE S/N VKKMV58PKHB198074	M8 ZN
36	1440022X1	4	STUD BOLT FROM MACHINE S/N VKKMV58PKHB198074 <b>[A] NOT ILLUSTRATED</b> <b>[B] WITHOUT AIR CONDITIONING</b> <b>[C] JAPAN ONLY</b>	M8 X 20 ISO 8.8 ZN

**<https://www.ebooklibonline.com>**

Hello dear friend!

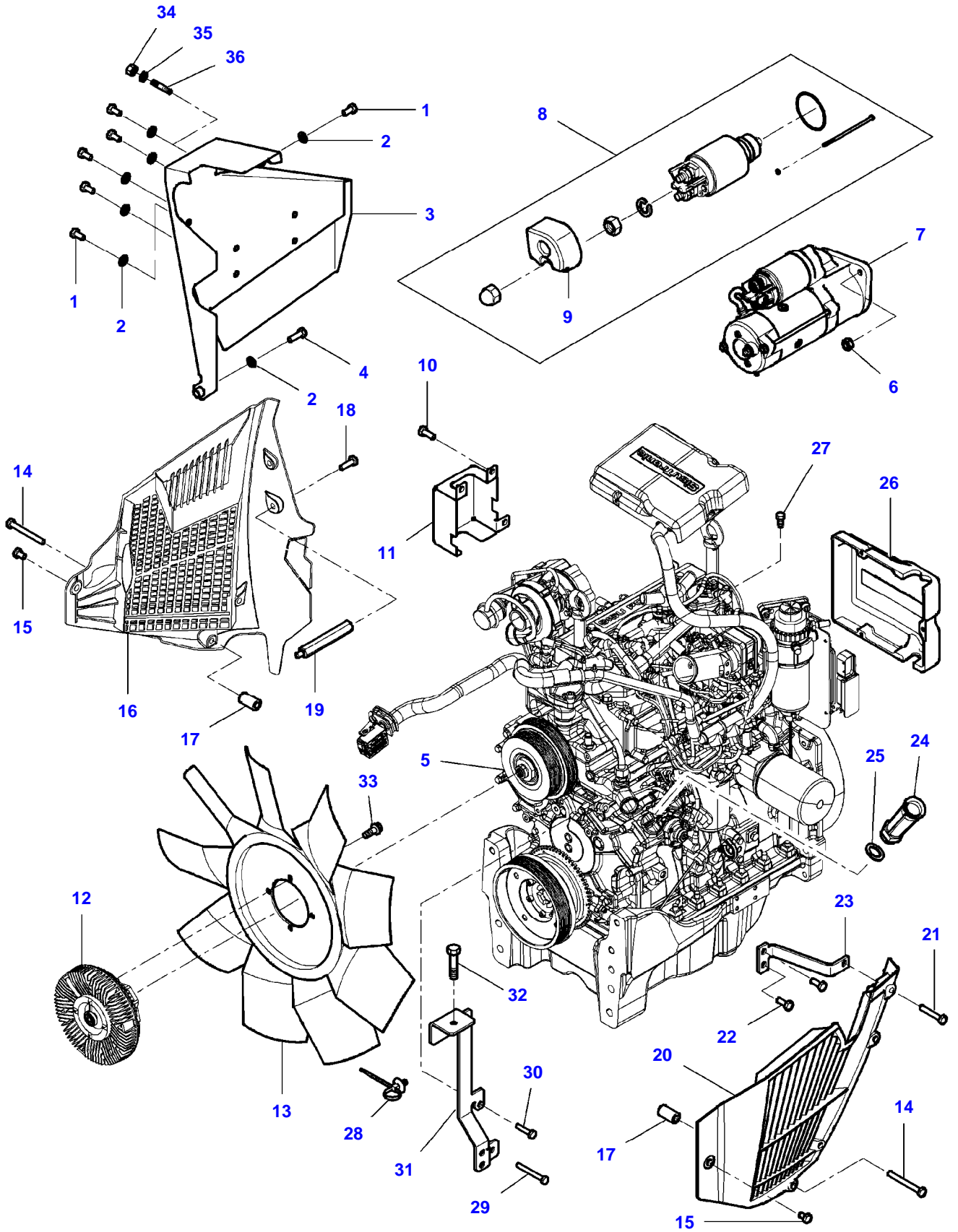
Thank you very much for reading.

Enter the link into your browser.

The full manual is available for immediate download.

**<https://www.ebooklibonline.com>**

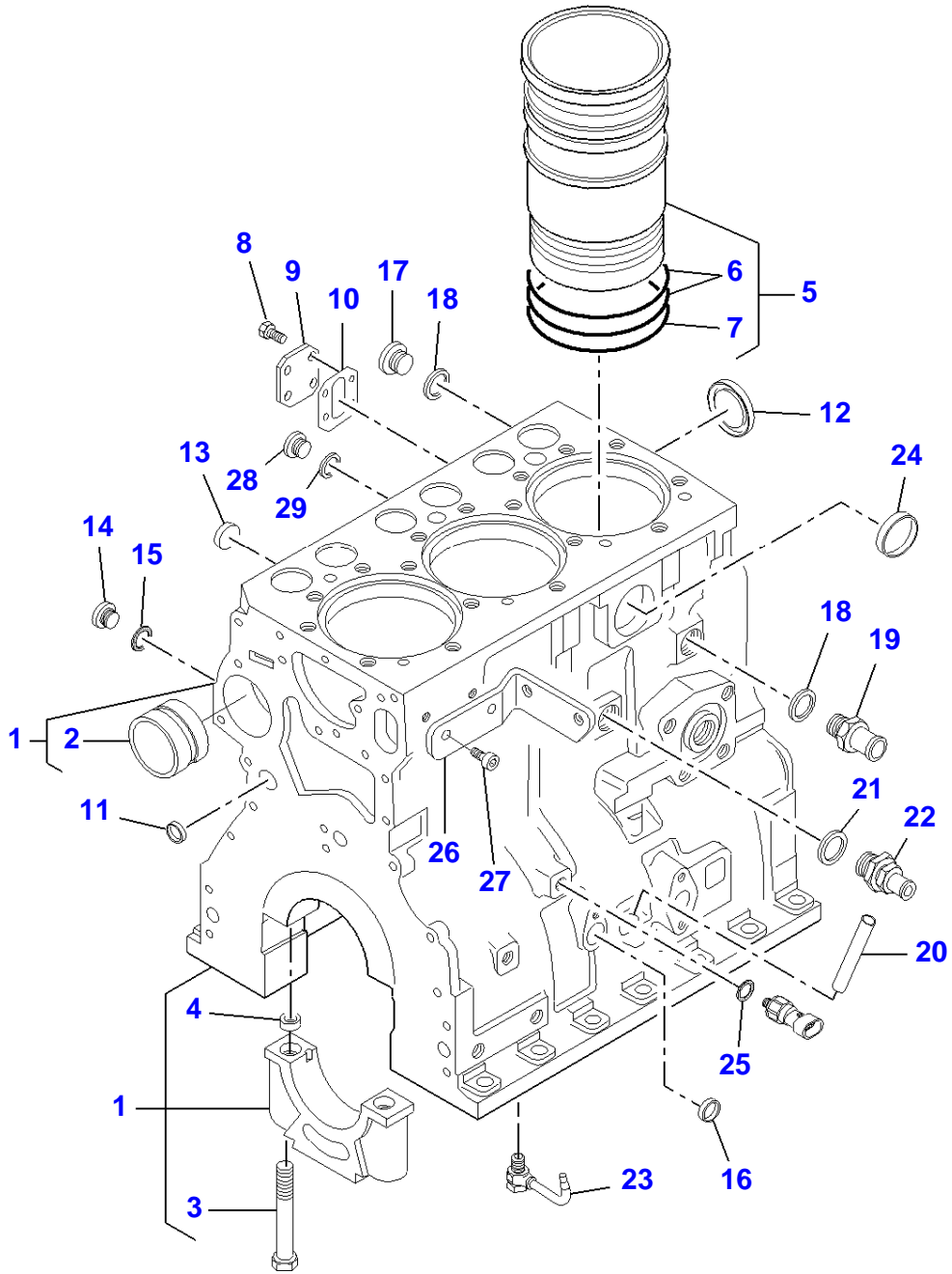
MF 5608 TRACTOR (C339061 - H349047)  
8026655-1-2



Item	Part Number	Qty	Description Comments	Technical Specification
1	339124X1	X	HEXAGONAL HEAD BOLT	M8 X 16 (1.25) ISO 8.8 ZN
2	390972X1	X	FLAT WASHER	M8 ZN
3	4384738M2	1	COWL	
4	339761X1	1	HEXAGONAL HEAD BOLT	M8 X 25 (1.25) ISO 8.8 ZN
5	V834277154	1	ENGINE UP TO MACHINE S/N ...	33 WI
	V834277209	1	ENGINE FROM MACHINE S/N E016072	33 WI
	V834277207	1	ENGINE FROM MACHINE S/N ...	33 WI
	V864277153X	1	SHORT BLOCK ENGINE [A]	33 AWI
6	339402X1	3	HEX NUT	M10 (1.5) ISO 8 ZN
7	4377659M3	1	STARTERMOTOR	12V 3,2KW
8	3909656M91	1	KIT, SOLENOID (7)	
9	4382331M1	1	COVER	
10	339124X1	3	HEXAGONAL HEAD BOLT	M8 X 16 (1.25) ISO 8.8 ZN
11	4385089M1	1	COWL	
12	ACPO233550	1	CLUTCH	
13	4355817M1	1	FAN	
14	390246X1	2	HEXAGONAL HEAD BOLT	M8 X 70 (1.25) ISO 8.8 ZN
15	339228X1	2	HEXAGONAL HEAD BOLT	M8 X 12 (1.25) ISO 8.8 ZN
16	4378531M3	1	RIGHT HAND COWL RIGHT HAND	
17	4379862M1	2	SPACER	?9-18 X 30,5 MM
18	339761X1	1	HEXAGONAL HEAD BOLT	M8 X 25 (1.25) ISO 8.8 ZN
19	4386315M1	1	SPACER	
20	4378530M3	1	LEFT HAND COWL LEFT HAND	
21	339011X1	1	HEXAGONAL HEAD BOLT	M8 X 45 (1.25) ISO 8.8 ZN
22	339123X1	2	HEXAGONAL HEAD BOLT	M8 X 20 (1.25) ISO 8.8 ZN
23	4383456M1	1	SUPPORT	
24	4377710M4	1	TUBE	
25	3011409X1	1	O RING	?34,52 X 3,53 MM DIDC 70 PL
26	V837073901	1	COVER	
27	391269X1	1	HEXAGONAL HEAD BOLT	M16 X 30 (2.0) ISO 8.8 ZN
28	4278314M1	2	CLAMP	
29	339159X1	1	HEXAGONAL HEAD BOLT [B]	M8 X 65 (1.25) ISO 8.8 ZN
30	339009X1	1	HEXAGONAL HEAD BOLT [B]	M8 X 35 (1.25) ISO 8.8 ZN
31	4383014M1	1	SUPPORT [B]	
32	339010X1	1	HEXAGONAL HEAD BOLT [B]	M8 X 40 (1.25) ISO 8.8 ZN
33	F339202040040	4	LOCK SCREW	M8X1,25
34	339169X1	4	HEX NUT FROM MACHINE S/N VKKMV58PKHB198074	M8 (1.25) ISO 8 ZN
35	385361X1	4	FLAT WASHER FROM MACHINE S/N VKKMV58PKHB198074	M8 ZN
36	1440022X1	1	STUD BOLT FROM MACHINE S/N VKKMV58PKHB198074 [A] NOT ILLUSTRATED [B] WITHOUT AIR CONDITIONING	M8 X 20 ISO 8.8 ZN

MF 5608 TRACTOR (C339061 - H349047)  
1-WH01-025-B

1-WH01-025-B



Item	Part Number	Qty	Description Comments
1	V837070453	1	CYLINDER BLOCK
2	V836866069	1	CAMSHAFT BEARING BUSH (1)
	V836866036	X	CAMSHAFT BEARING BUSH THICKNESS + 0,40 MM
3	V835329030	8	HEX CAP SCREW (1)
4	V836214478	8	GUIDE SLEEVE (1)
5	V836673191	3	LINER
	V836647933	X	LINER THICKNESS 9.08 MM
	V836647934	X	LINER THICKNESS 9.13 MM
	V836647935	X	LINER THICKNESS 9.23 MM
6	V836647502	6	CYLINDER LINER O-RING (5) [A]
7	V836647503	3	CYLINDER LINER O-RING (5) [A]
8	V528801362	4	HEX CAP SCREW M8 X 16
9	V836866957	1	COVER
10	V836866958	1	GASKET [A]
11	V640016016	4	PLUG [A]
12	V836529872	1	PLUG
13	V640016018	1	PLUG
14	V640325110	3	PLUG
15	V615871014	3	SEALING WASHER [A]
16	V640016020	1	PLUG
17	V640325018	1	PLUG
18	V615881822	2	SEALING WASHER [A]
19	V836119837	1	HOSE COUPLER
20	V836666910	1	OIL DIPSTICK GUIDE PIPE
21	V615881824	1	SEALING WASHER [A]
22	V836664377	1	COCK
23	V837074224	6	PISTON COOLING JET
24	V640016040	1	PLUG
25	V615871016	1	SEALING WASHER [A]
26	V837074723	1	BRACKET
27	V581804580	2	HEX SOCKET SCREW M8 X 16
28	V640025016	1	PLUG FROM SERIAL OR ENGINE NUMBER Z6758 [B]
	V640025016	1	PLUG FROM SERIAL OR ENGINE NUMBER Z25000 [C]
29	V615881622	1	SEALING WASHER FROM SERIAL OR ENGINE NUMBER Z6758 [A][B]
	V615881622	1	SEALING WASHER FROM SERIAL OR ENGINE NUMBER Z25000 [A][C]
			<b>[A] INCLUDED IN GASKET SET FOR ENGINE</b>

---

Massey Ferguson

MF 5608 TRACTOR (C339061 - H349047)

3906416

CYLINDER-BLOCK

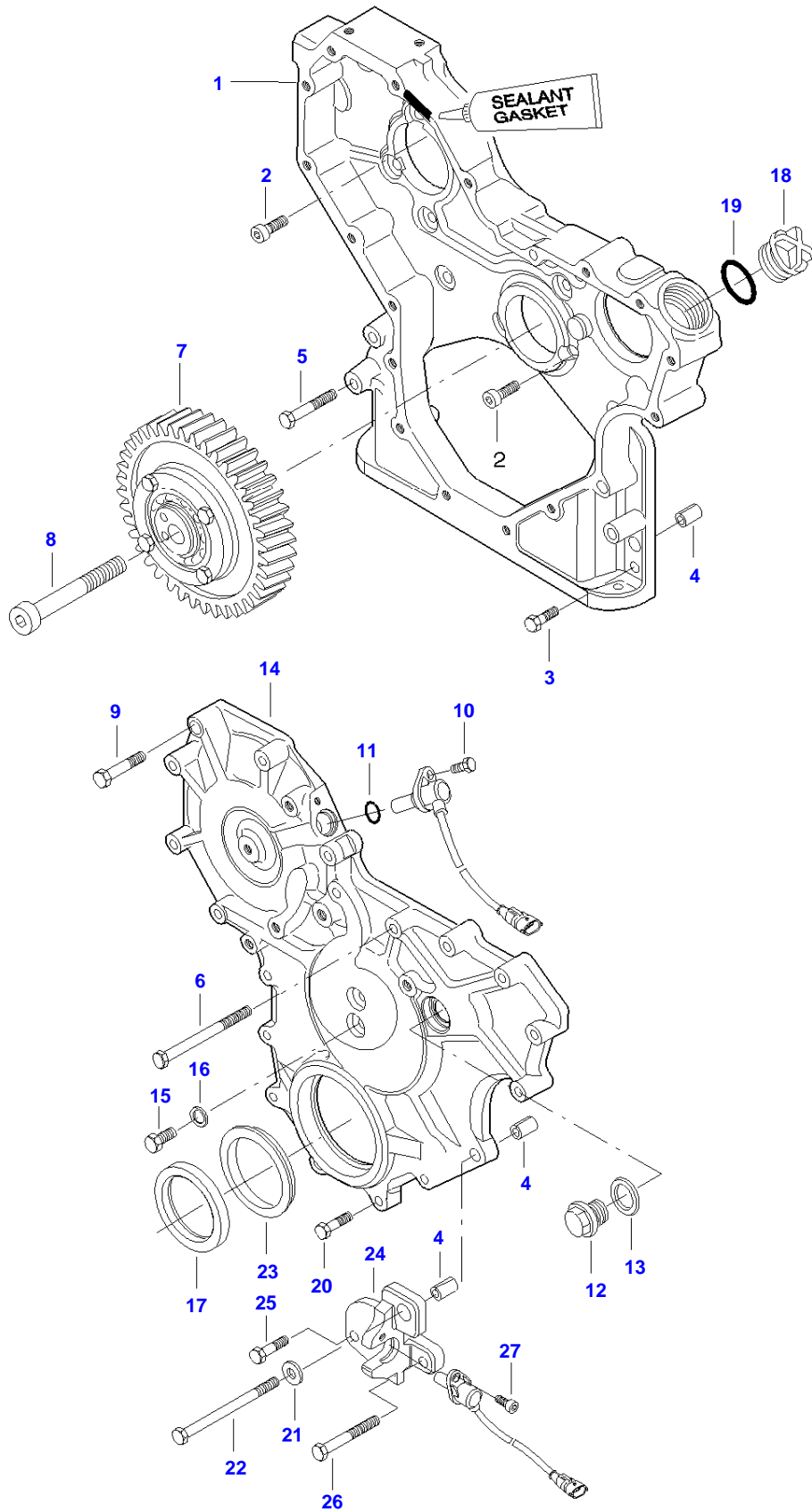
Page01-0003

---

Item	Part Number	Qty	Description
			Comments
			[B] TIER4I/STAGE3B ENGINE
			[C] TIER3 ENGINE

MF 5608 TRACTOR (C339061 - H349047)  
1-WH20-017-A

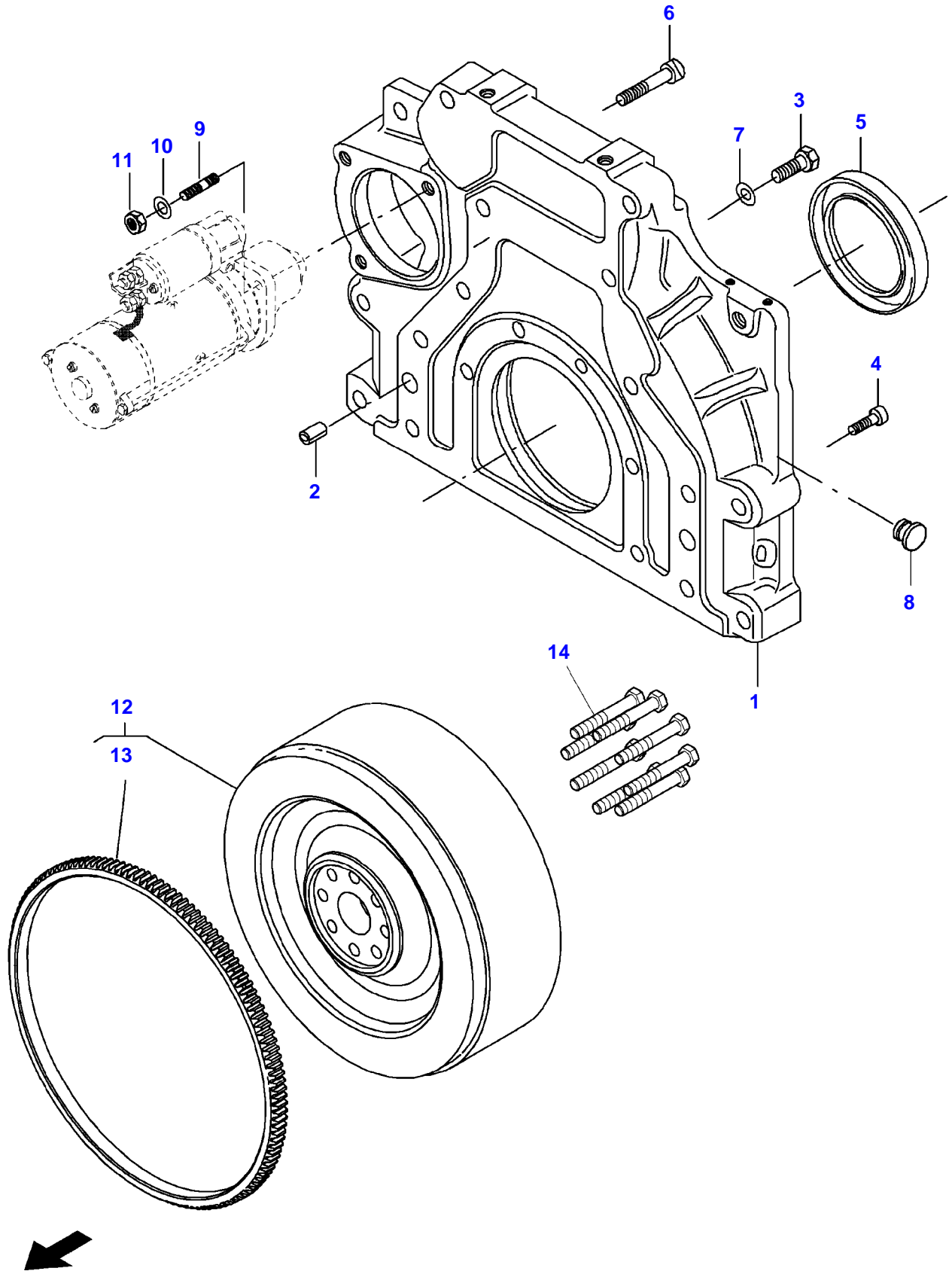
1-WH20-017-A



Item	Part Number	Qty	Description Comments
1	V837073565	1	TIMING GEAR CASE
2	V581804600	10	HEX SOCKET SCREW M8 X 20
3	V528801400	2	HEX CAP SCREW M8 X 25
4	V598359850	4	PIN
5	V529801470	2	HEX CAP SCREW M8 X 60
6	V529801540	1	HEX CAP SCREW M8 X 95
7	V837073583	1	IDLER GEAR
8	V581705910	1	HEX SOCKET SCREW M14 X 70
9	V529801440	9	HEX CAP SCREW M8 X 45
10	V528801062	1	HEX CAP SCREW M6 X 16
11	V614601718	1	O-RING
12	V640045022	1	PLUG
13	V615882227	1	SEALING WASHER [A]
14	V837073566	1	GEAR HOUSING FRONT COVER
15	V528801380	2	HEX CAP SCREW M8 X 20
16	V615870814	2	SEALING WASHER [A]
17	V836840883	1	CRANKSHAFT SEAL [A]
18	V836017927	1	CAP
19	V614603540	1	O-RING [A]
20	V528801410	5	HEX CAP SCREW M8 X 30
21	V836120989	1	WASHER
22	V529801540	1	HEX CAP SCREW M8 X 95
23	V836855636	1	SHIELD
24	V837074080	1	BRACKET
25	V528801420	1	HEX CAP SCREW M8 X 35
26	V529801490	1	HEX CAP SCREW M8 X 70
27	V581804182	1	HEX SOCKET SCREW M8 X 16

[A] INCLUDED IN GASKET SET FOR ENGINE

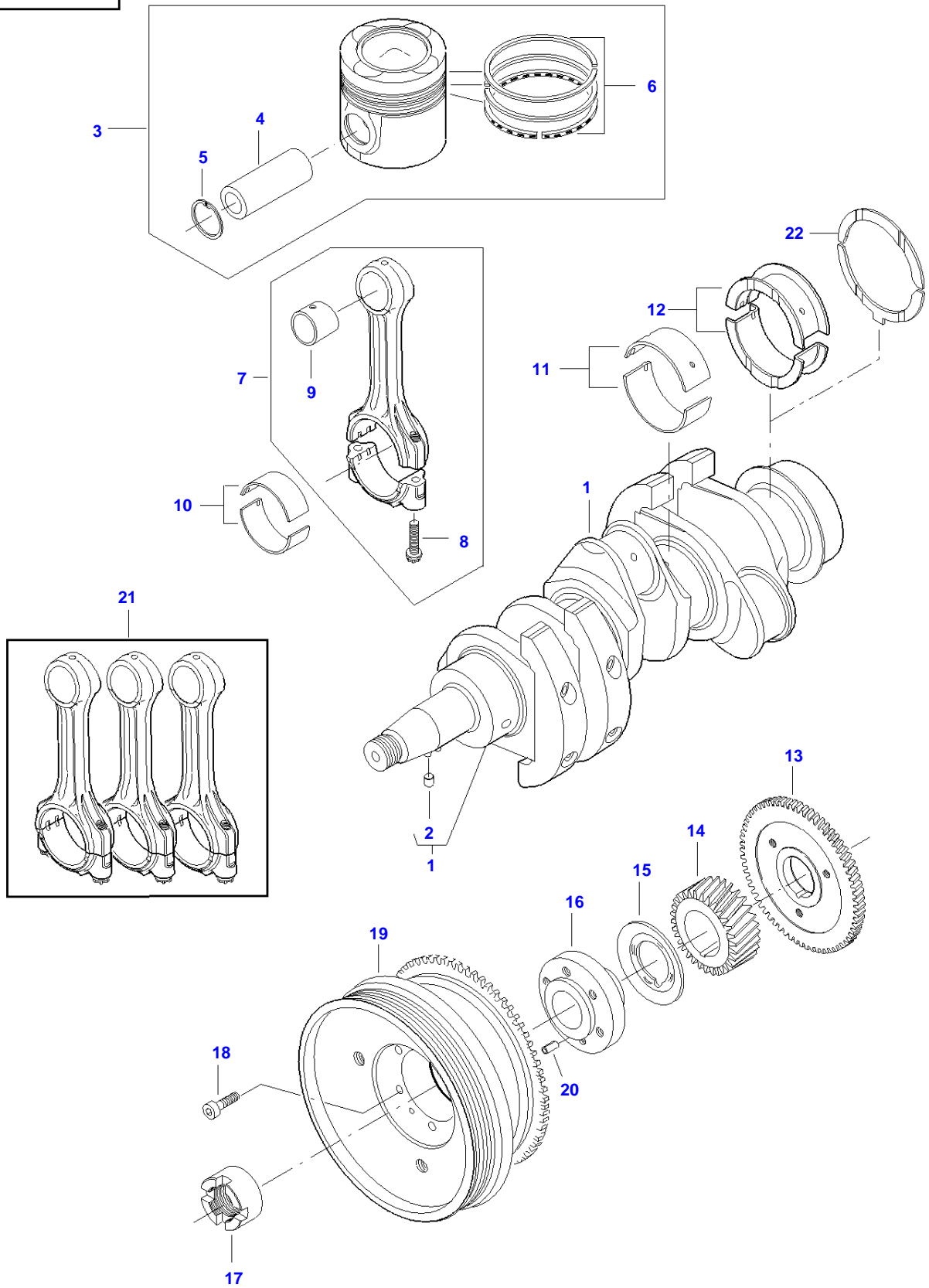
MF 5608 TRACTOR (C339061 - H349047)  
8026648-F1-1



Item	Part Number	Qty	Description Comments
1	V837074503	1	FLYWHEEL HOUSING
2	V598359850	2	PIN
3	V528702220	8	HEX CAP SCREW
4	V581705030	6	HEX SOCKET SCREW
5	V837079705	1	CRANKSHAFT SEAL [A]
	V836020054	X	SPACER
6	V581705470	2	HEX SOCKET SCREW
7	V500951200	8	SPRING WASHER
8	V836007572	1	RUBBER PLUG
9	V546801815	3	STUD BOLT
10	V500951000	3	SPRING WASHER
11	V504601000	3	NUT
12	V837074543	1	FLYWHEEL
13	V836667286	1	STARTER RING (12)
14	V529702290	8	HEX CAP SCREW [A] INCLUDED IN GASKET SET FOR ENGINE

MF 5608 TRACTOR (C339061 - H349047)  
1-WH02-028-A

1-WH02-028-A



Item	Part Number	Qty	Description Comments
1	V837073911	1	CRANKSHAFT
2	V836867857	2	KEY (1)
3	V837074081	3	PISTON
4		4	(3) CLEVIS PIN NOT SERVICED,ORDER Ref. 3
5		6	(3) CIRCLIP NOT SERVICED,ORDER Ref. 3
6	V837079460	3	PISTON RING KIT (3)
7		1	KIT, CONROD NOT SERVICED,ORDER Ref. 21
8	V836864141	6	CONNECTING ROD BOLT (7) Torx E18
9	V836110646	3	BEARING BUSH (7)
10	V836110552	3	BEARING SHELL STANDARD 67.981-68.000 MM
	V836112762	X	BEARING SHELL 0.25 MM 67.731-67.750 MM
	V836112763	X	BEARING SHELL 0.50 MM 67.481-67.500 MM
	V836112765	X	BEARING SHELL 1.00 MM 66.981-67.000 MM
	V836112767	X	BEARING SHELL 1.50 MM 66.481-66.500 MM
11	V836655514	3	MAIN BEARING Standard N?1 ... 3 84.985-85.020 MM
	V836679154	X	MAIN BEARING Standard N?4 84.985-85.020 MM
	V836655536	X	MAIN BEARING N?1 ... 4 84.735-84.770 MM
	V836655537	X	MAIN BEARING N?1 ... 4 84.485-84.520 MM
	V836655538	X	MAIN BEARING N?1 ... 4 83.985-84.020 MM
	V836655539	X	MAIN BEARING N?1 ... 4 83.485-83.520 MM
12	V836679154	1	MAIN BEARING
13	V836674069	1	GEAR,CRANKSHAFT
14	V837073560	1	GEAR,CRANKSHAFT
15	V836855637	1	RING
16	V837073677	1	CRANKSHAFT HUB
17	V836847641	1	CRANKSHAFT NUT
18	V581804670	6	HEX SOCKET SCREW
19	V837084199	1	CRANKSHAFT PULLEY M8 X 50
20	V595953360	1	PIN
21	V836640968	1	CONNECTING ROD KIT

---

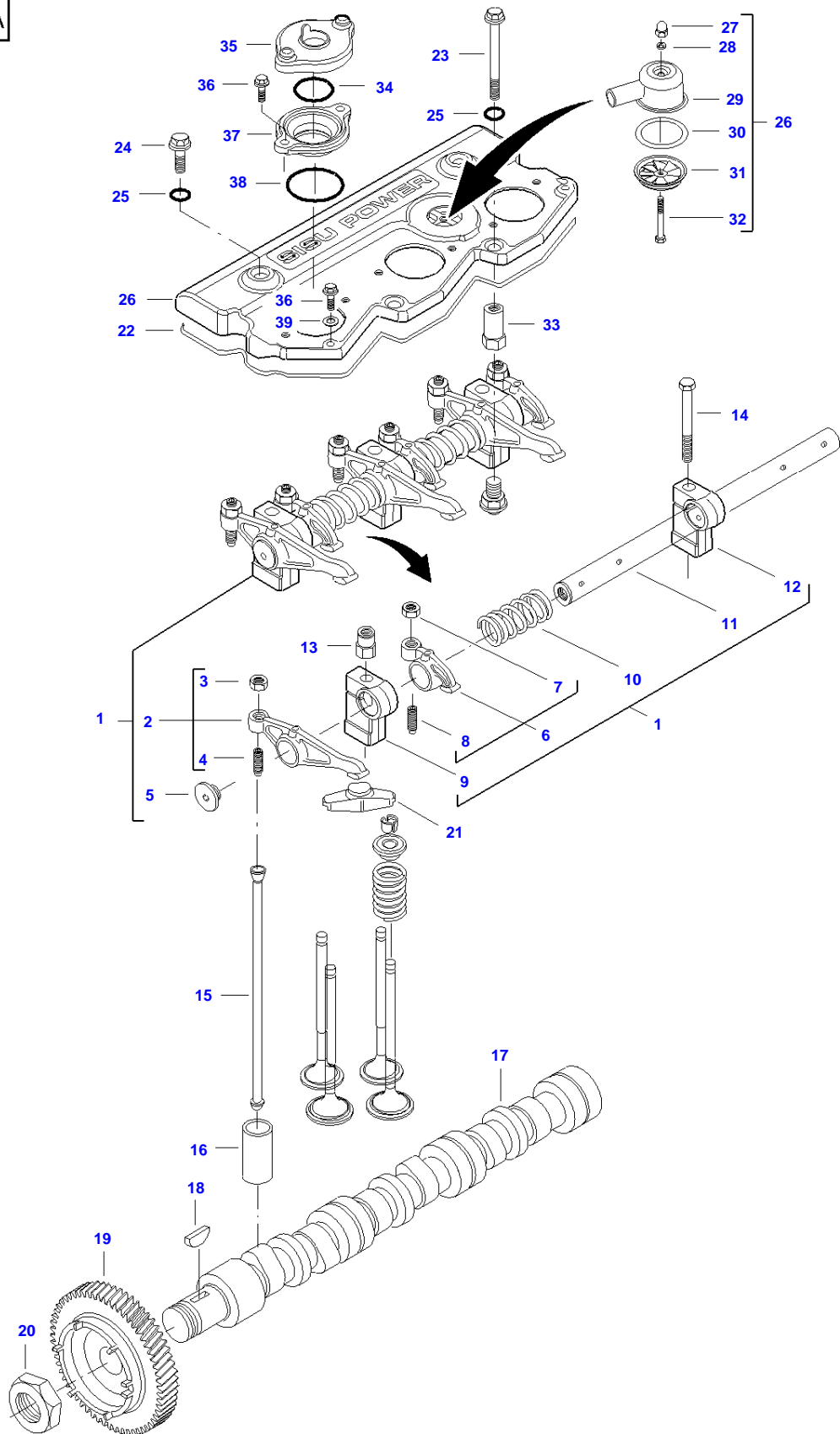
**Massey Ferguson****MF 5608 TRACTOR (C339061 - H349047)****3906416****CRANKSHAFT, PISTONS & PISTON ROD****Page01-0006**

---

Item	Part Number	Qty	Description Comments
22	V836119459	1	THRUST WASHER Standard
22	V836120332	X	THRUST WASHER THICKNESS 0.1 MM
22	V836120333	X	THRUST WASHER THICKNESS 0.2 MM

MF 5608 TRACTOR (C339061 - H349047)  
1-WH22-007-A

1-WH22-007-A



Item	Part Number	Qty	Description Comments
1	V837069016	1	ROCKER SHAFT ASM
2	V837069011	3	ROCKER ARM (1)
3	V512861000	3	NUT (2)
4	V837069023	3	VALVE ROCKER ADJUSTMENT SCREW (2)
5	V837069020	2	PLUG (1)
6	V837069013	3	ROCKER ARM (1)
7	V512861000	3	NUT (6)
8	V837069023	3	VALVE ROCKER ADJUSTMENT SCREW (6)
9	V837069017	2	ROCKER SHAFT BRACKET (1)
10	V837069019	2	SPRING (1)
11	V837069015	1	SHAFT (1)
12	V837069018	1	ROCKER SHAFT BRACKET (1)
13	V836655406	2	NUT
14	V529801910	1	HEX CAP SCREW M10 X 80
15	V837070119	6	PUSH ROD
16	V836014264	6	TAPPET
17	V837073668	1	CAMSHAFT
18	V603305760	1	WOODRUFF KEY
19	V837073562	1	GEAR,CAMSHAFT
20	V837069085	1	NUT
21	V837073089	6	VALVE BRIDGE
22	V837073749	1	VALVE ROCKER COVER GASKET [A][B]
23	V540801852	2	HEXAGON FLANGE BOLT M10 X 50
24	V540801780	2	HEXAGON FLANGE BOLT M10 X 20
25	V614901030	4	O-RING [A][B]
26	V837073755	1	VALVE ROCKER COVER
27	V519600602	1	NUT (26) M6
28	V836667508	1	SEALING WASHER (26)
29	V837070442	1	BREATHER (26)
30	V836667459	1	GASKET (26)
31	V837070443	1	BREATHER (26)
32	V528801172	1	HEX CAP SCREW (26) M6 X 60
33	V837073903	2	ADAPTER
34	V614903725	3	O-RING [A][B]
35	V837073756	3	COVER [A][B]
36	V540801082	8	HEXAGON FLANGE BOLT M6 X 20
37	V837073753	3	FLANGE
38	V614606230	3	O-RING [A][B]
39	V836667508	2	SEALING WASHER [A][B] <b>[A] INCLUDED IN GASKET SET FOR CYLINDER HEAD</b>

---

Massey Ferguson

MF 5608 TRACTOR (C339061 - H349047)

3906416

CAMSHAFT & VALVE MECHANISM

Page01-0007

TIER4I / STAGE3B ENGINE

---

Item	Part Number	Qty	Description Comments
			[B] INCLUDED IN GASKET SET FOR VALVE COVER



Item	Part Number	Qty	Description Comments
1	V837069016	1	ROCKER SHAFT ASM
2	V837069011	3	ROCKER ARM (1)
3	V512861000	3	NUT (2)
4	V837069023	3	VALVE ROCKER ADJUSTMENT SCREW (2)
5	V837069020	2	PLUG (1)
6	V837069013	3	ROCKER ARM (1)
7	V512861000	3	NUT (6)
8	V837069023	3	VALVE ROCKER ADJUSTMENT SCREW (6)
9	V837069017	2	ROCKER SHAFT BRACKET (1)
10	V837069019	2	SPRING (1)
11	V837069015	1	SHAFT (1)
12	V837069018	1	ROCKER SHAFT BRACKET (1)
13	V836655406	2	NUT
14	V529801910	1	HEX CAP SCREW M10 X 80
15	V837070119	6	PUSH ROD
16	V836014264	6	TAPPET
17	V837073668	1	CAMSHAFT
18	V603305760	1	WOODRUFF KEY
19	V837073562	1	GEAR,CAMSHAFT
20	V837069085	1	NUT
21	V837073089	6	VALVE BRIDGE
22	V837073749	1	VALVE ROCKER COVER GASKET [A][B]
23	V540801852	2	HEXAGON FLANGE BOLT M10 X 50
24	V540801780	2	HEXAGON FLANGE BOLT M10 X 20
25	V614901030	4	O-RING [A][B]
26	V837073755	1	VALVE ROCKER COVER
27	V519600602	1	NUT (26) M6
28	V836667508	1	SEALING WASHER (26)
29	V837070442	1	BREATHER (26)
30	V836667459	1	GASKET (26)
31	V837070443	1	BREATHER (26)
32	V528801172	1	HEX CAP SCREW (26) M6 X 60
33	V837073903	2	ADAPTER
34	V614903725	3	O-RING [A][B]
35	V837073756	3	COVER [A][B]
36	V540801082	8	HEXAGON FLANGE BOLT M6 X 20
37	V837073753	3	FLANGE
38	V614606230	3	O-RING [A][B]
39	V836667508	2	SEALING WASHER [A][B]
40	V837070346	1	RUBBER HOSE
41	V837070343	1	SPRING

---

Massey Ferguson

MF 5608 TRACTOR (C339061 - H349047)

3906416

CAMSHAFT & VALVE MECHANISM

Page01-0008

TIER3 ENGINE

---

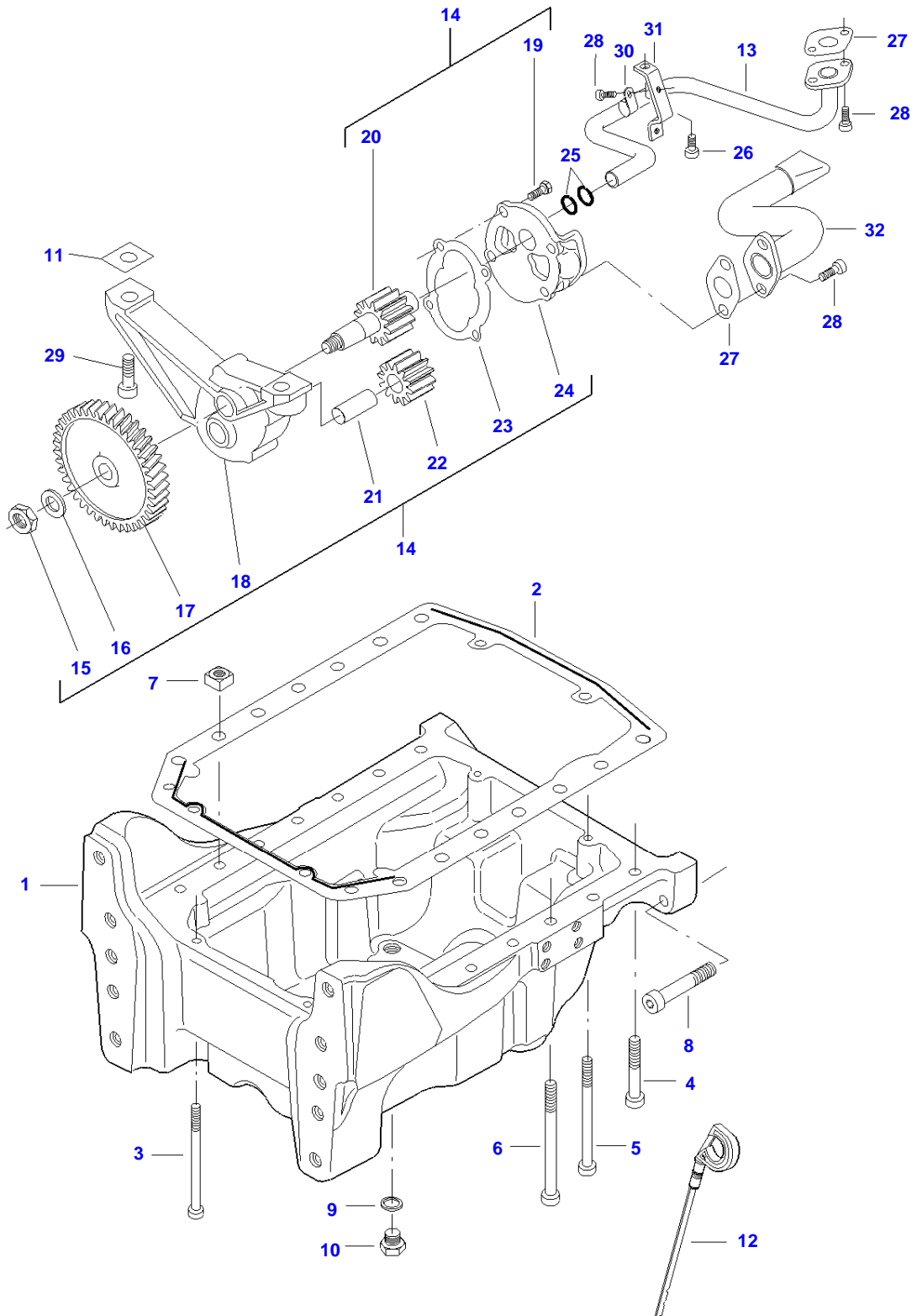
Item	Part Number	Qty	Description Comments
42	V602078532	1	HOSE CLIP [A] INCLUDED IN GASKET SET FOR CYLINDER HEAD [B] INCLUDED IN GASKET SET FOR VALVE COVER



Item	Part Number	Qty	Description Comments
1	V837073941	1	CYLINDER HEAD
2	V837073174	12	VALVE GUIDE (1)
3	V837064907	6	VALVE SEAT (1) [B]
4	V837064908	6	VALVE SEAT (1) [A]
5	V837069002	6	EXHAUST VALVE (1)
6	V837069003	6	INTAKE VALVE (1)
7	V837073165	12	VALVE STEM GASKET (1) [C]
8	V837064910	24	COTTER (1)
9	V837069004	12	SPRING PLATE (1)
10	V837069005	12	VALVE SPRING (1)
11	V836647942	4	PLUG (1)
12	V546801900	2	STUD BOLT (1) M10 X 75
13	V837070290	1	CYLINDER HEAD GASKET [C]
14	V837069025	13	CYLINDER HEAD BOLT
15	V836855350	2	COVER
16	V836867753	2	GASKET [C]
17	V528801800	4	HEX CAP SCREW M10 X 25
18	V640435015	1	BANJO BOLT
19	V615881822	2	SEALING WASHER [C]
20	V836640752	2	LIFT EYE
21	V836867567	2	LIFTING EYE EXTENSION
22	V837073571	4	CYLINDER HEAD BOLT
23	V837073744	1	VALVE ROCKER COVER FRAME
24	V837067881	1	VALVE ROCKER COVER GASKET [C]
25	V581804630	3	HEX SOCKET SCREW M8 X 30
26	V500950800	3	SPRING WASHER
27	V540801082	6	HEXAGON FLANGE BOLT
28	V837073754	3	FLANGE
29	V614903725	3	O-RING [C]
30	V614901725	3	O-RING [C]
31	V837074991	2	EXTENSION
32	V837084203	1	WATER PIPE [A] FOR VALVE INLET [B] FOR VALVE EXHAUST [C] INCLUDED IN GASKET SET FOR CYLINDER HEAD

MF 5608 TRACTOR (C339061 - H349047)  
1-WH11-020-A

1-WH11-020-A



Item	Part Number	Qty	Description Comments
1	V837074508	1	OIL SUMP
2	V836429729	1	GASKET UP TO SERIAL OR ENGINE NUMBER Z24999 [A][B]
	V836429729	1	GASKET UP TO SERIAL OR ENGINE NUMBER Z6757 [A]
	V837084286	1	OIL SUMP GASKET FROM SERIAL OR ENGINE NUMBER Z6758 [A]
3	V581704810	2	HEX SOCKET SCREW M8 X 140
4	V581705514	2	HEX SOCKET SCREW M12 X 70
5	V581705130	2	HEX SOCKET SCREW M10 X 80
6	V581705550	12	HEX SOCKET SCREW M12 X 90
7	V511801200	14	SQUARE NUT M12
8	V581706290	6	HEX SOCKET SCREW M16 X 60
9	V615881827	2	SEALING WASHER [A]
10	V836655493	2	PLUG
11	V836007871	X	SHIM
12	V836666908	1	DIPSTICK orange
13	V836673154	1	OIL PIPE
14	V836773146	1	LUBRICATING OIL PUMP
15	V504861000	1	NUT (14) M10
16	V836122910	1	WASHER (14)
17	V836338667	1	GEAR (14)
18		1	(14) FRAME NOT SERVICED,ORDER Ref. 14
19	V528801380	4	HEX CAP SCREW (14) M8 X 20
20	V836652600	1	OIL PUMP SHAFT (14)
21	V836120191	1	OIL PUMP SHAFT (14)
22	V836120193	1	GEAR (14)
23	V836119796	1	GASKET (14) [A]
24		1	(14) COVER NOT SERVICED,ORDER Ref. 14
25	V614702230	2	O-RING (14) [A]
26	V581705000	1	HEX SOCKET SCREW M10 X 20
27	V836008449	2	GASKET [A]
28	V581804600	5	HEX SOCKET SCREW M8 X 20



**Suggest:**

**For more complete manuals. Please go to the home page.**

**<https://www.ebooklibonline.com>**

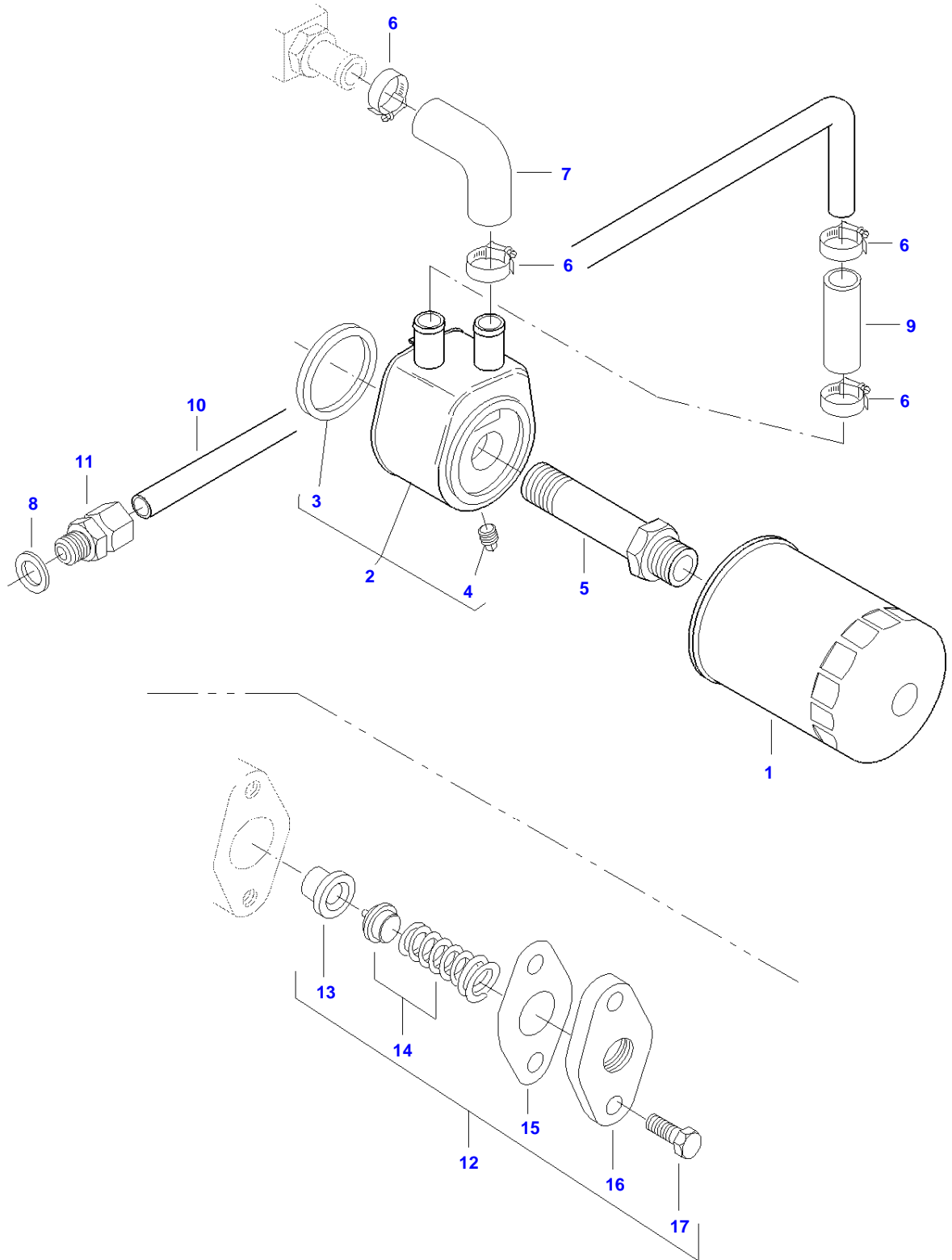
**If the above button click is invalid. Please download this document first, and then click the above link to download the complete manual.**

**Thank you so much for reading**

<b>Item</b>	<b>Part Number</b>	<b>Qty</b>	<b>Description Comments</b>
29	V581805050	2	HEX SOCKET SCREW M10 X 40
30	V602074522	1	HOSE CLIP
31	V836673150	1	SUPPORT
32	V836767446	1	OIL PUMP SUCTION PIPE [A] INCLUDED IN GASKET SET FOR ENGINE [B] TIER3 ENGINE

MF 5608 TRACTOR (C339061 - H349047)  
1-WH26-011-A

1-WH26-011-A



**<https://www.ebooklibonline.com>**

Hello dear friend!

Thank you very much for reading.

Enter the link into your browser.

The full manual is available for immediate download.

**<https://www.ebooklibonline.com>**