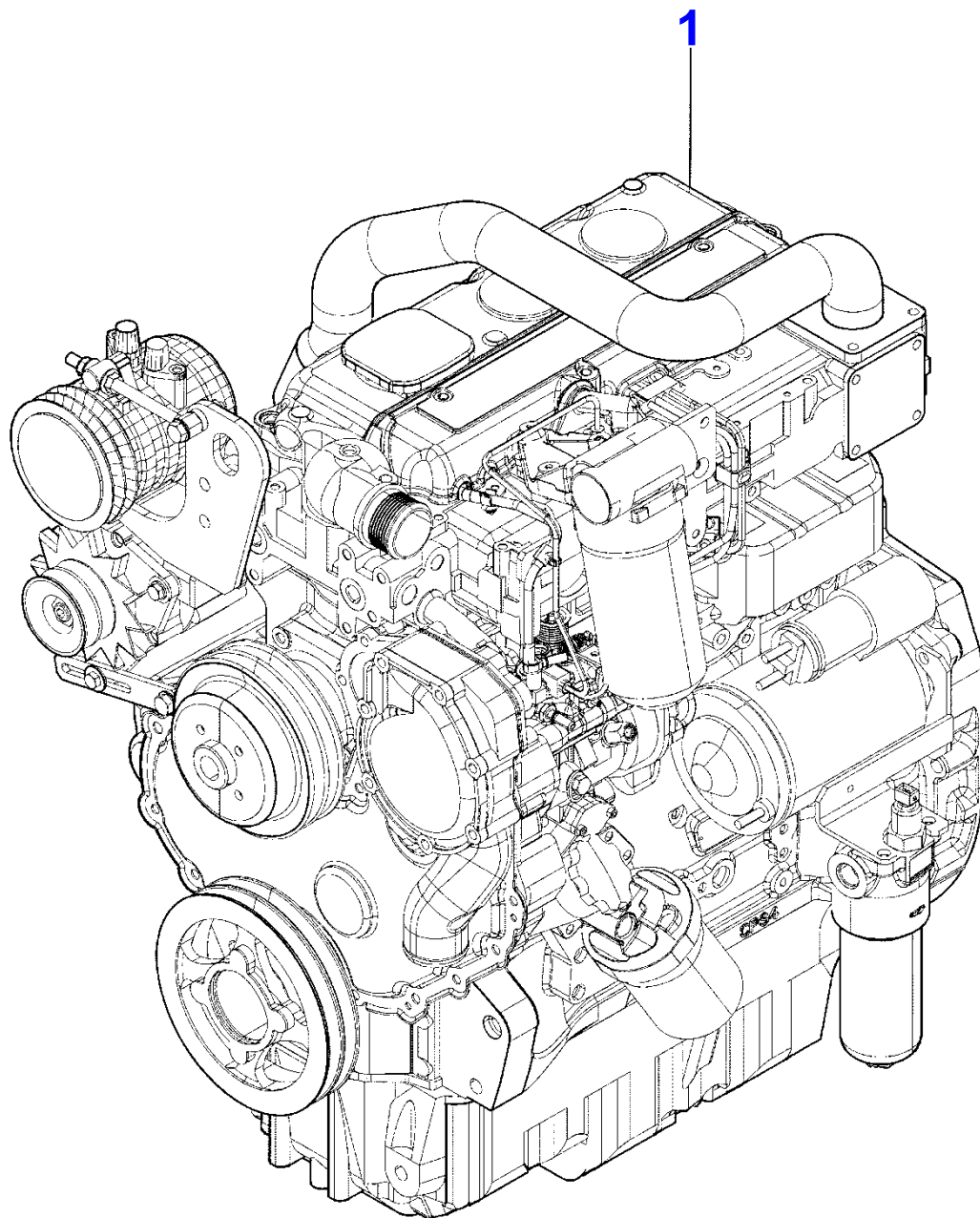


Page Title	Page Number
ENGINE ASSEMBLY	010-0001
SHORT ENGINE	010-0002
CYLINDER BLOCK	010-0003
CAMSHAFT	010-0004
PISTONS AND CONNECTING RODS	010-0005
END COVER	010-0006
CYLINDER HEAD	010-0007
ROCKER SHAFT	010-0008
FUEL INJECTION EQUIPMENT (DIESEL)	010-0009
SENSOR PICKUP,START AND STOP CONTROL	010-0010
FAN-TYPE PULLEY	010-0011
LUBRICATING OIL SUMP	010-0012
CYLINDER HEAD COVER	010-0013
FILLER	010-0014
BREATHER	010-0015
GASKET SETS	010-0016
CYLINDER HEAD COVER	010-0017
OIL BATH AIR FILTER - LAUTRETTE	010-0018
LUBRICATING OIL FILTER	010-0019
CLOSING PLATE	010-0020
FRONT END DRIVE INPUT - AUXILIARY DRIVE	010-0021
FRONT END DRIVE INPUT - AUXILIARY DRIVE	010-0022
WATER PUMP	010-0023
WATER OUTLET AND INLET	010-0024
COVER TIMING GEAR	010-0025
LUBRICATING OIL PUMP AND DELIVERY HOUSING	010-0026
INDUCTION MANIFOLD	010-0027
EXHAUST MANIFOLD	010-0028
FUEL LIFT PUMP	010-0029
ACCESSORIES MISCELLANEOUS	010-0030
FUEL PIPE	010-0031
FUEL PIPINGS	010-0032
TURBOCHARGER	010-0033



Massey Ferguson

MF 3455 C / CF / CFM CRAWLER TRACTORS (TIER 3) - 4217085

4217085

ENGINE ASSEMBLY

Page010-0001

Item	Part Number	Qty	Description	Comments
1	3692620M91	1	ENGINE	72,5 KW

<https://www.ebooklibonline.com>

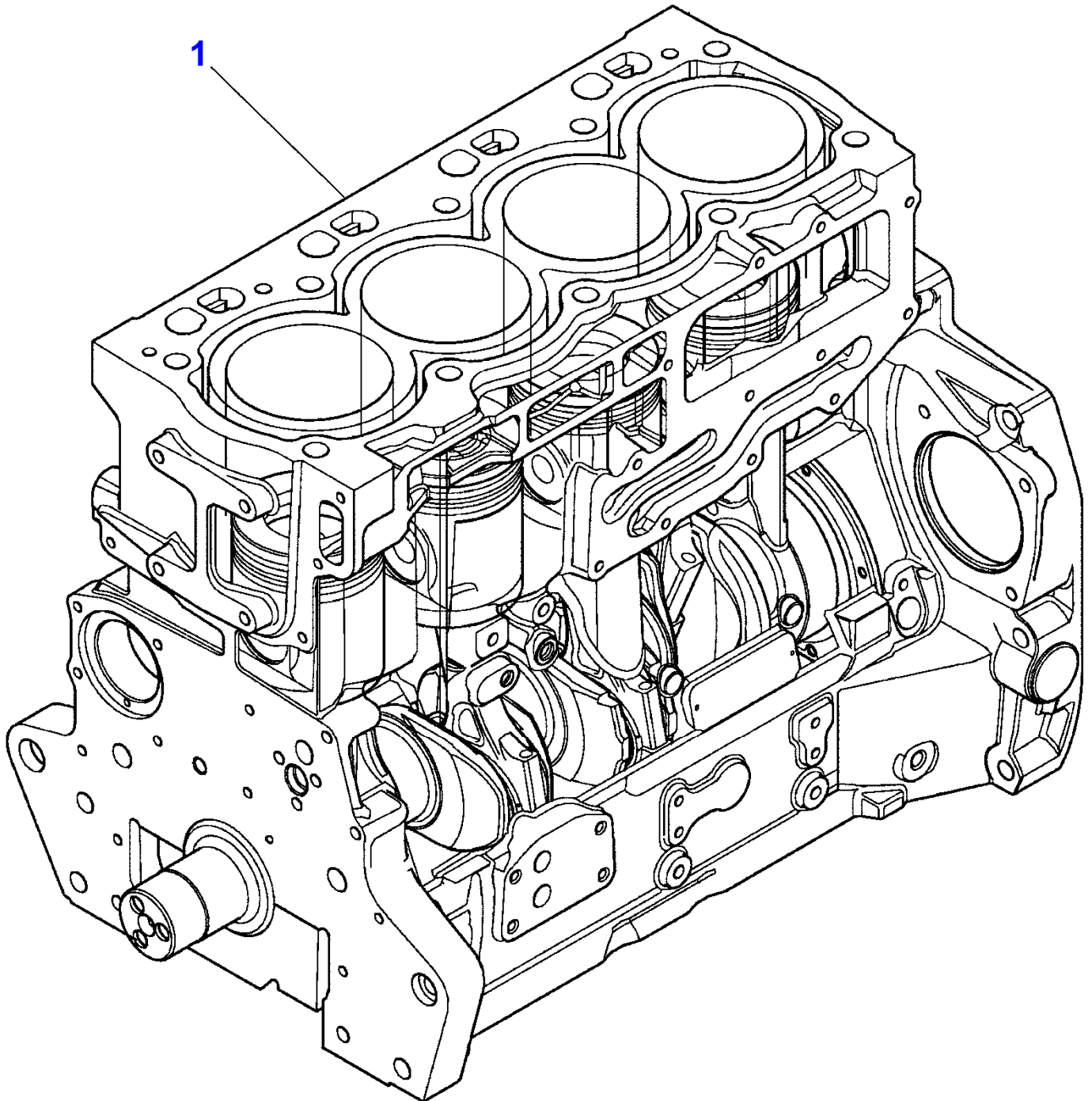
Hello dear friend!

Thank you very much for reading.

Enter the link into your browser.

The full manual is available for immediate download.

<https://www.ebooklibonline.com>



Massey Ferguson

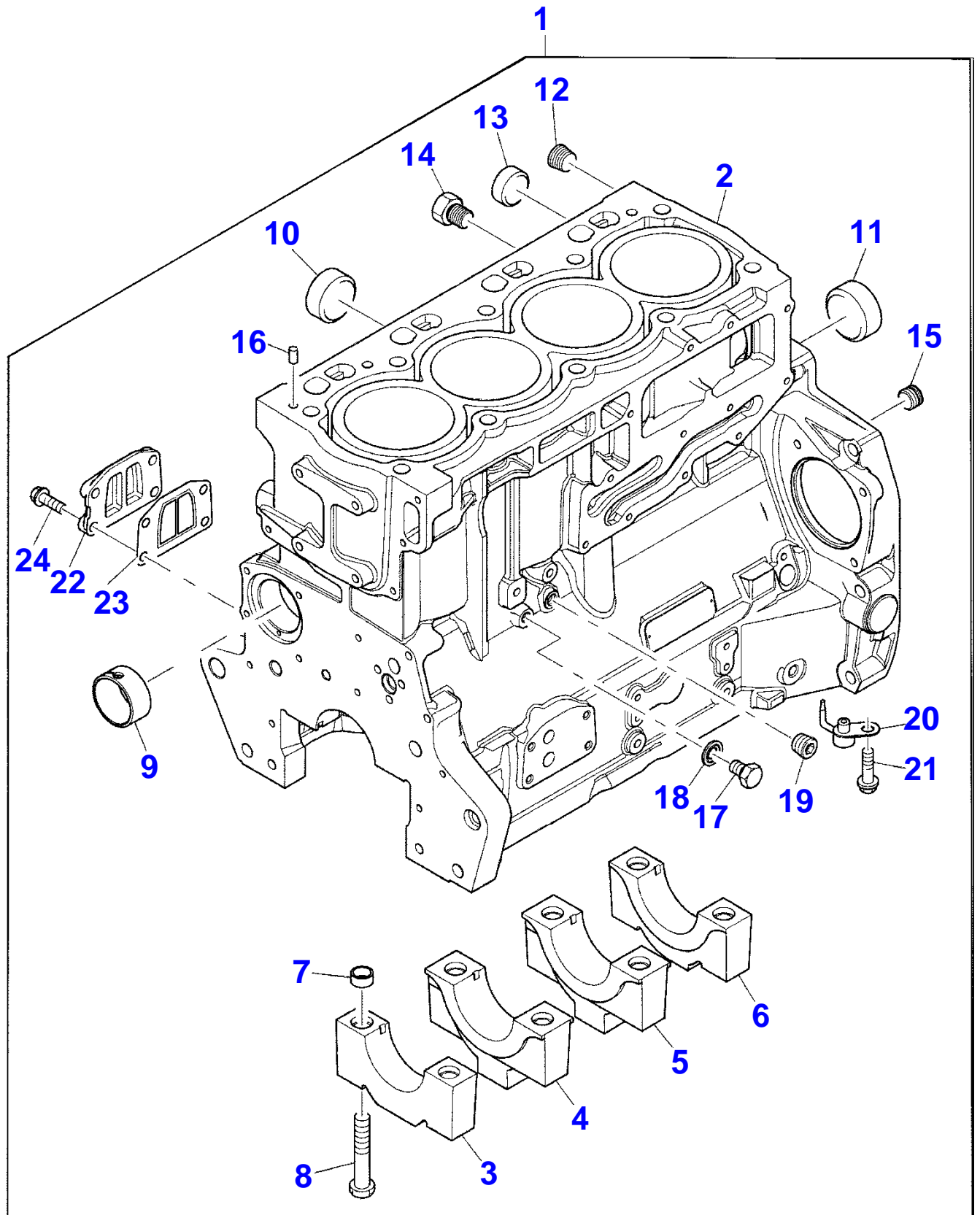
MF 3455 C / CF / CFM CRAWLER TRACTORS (TIER 3) - 4217085

4217085

SHORT ENGINE

Page010-0002

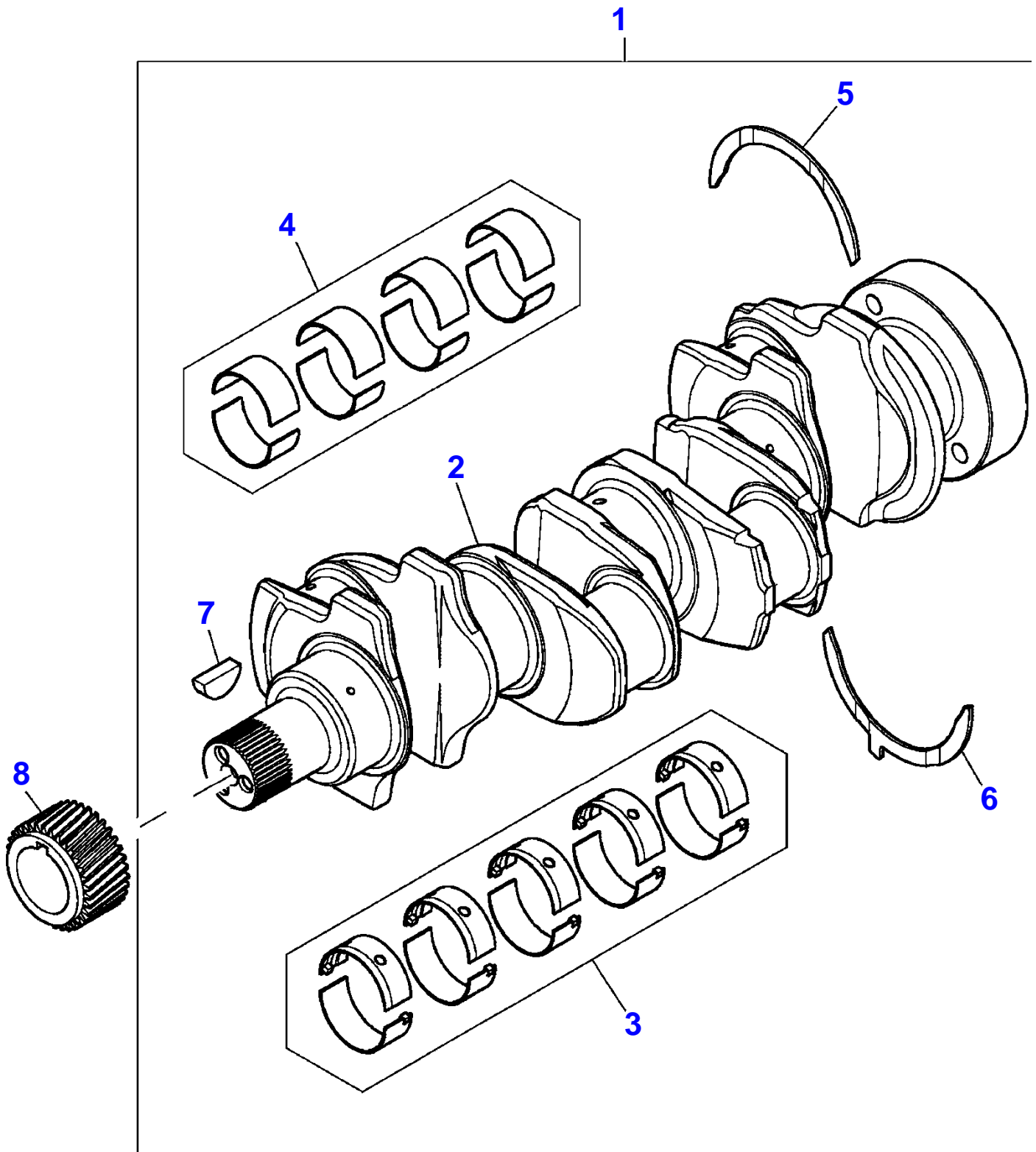
Item	Part Number	Qty	Description
1	NM40008	1	SHORT ENGINE



CYLINDER BLOCK

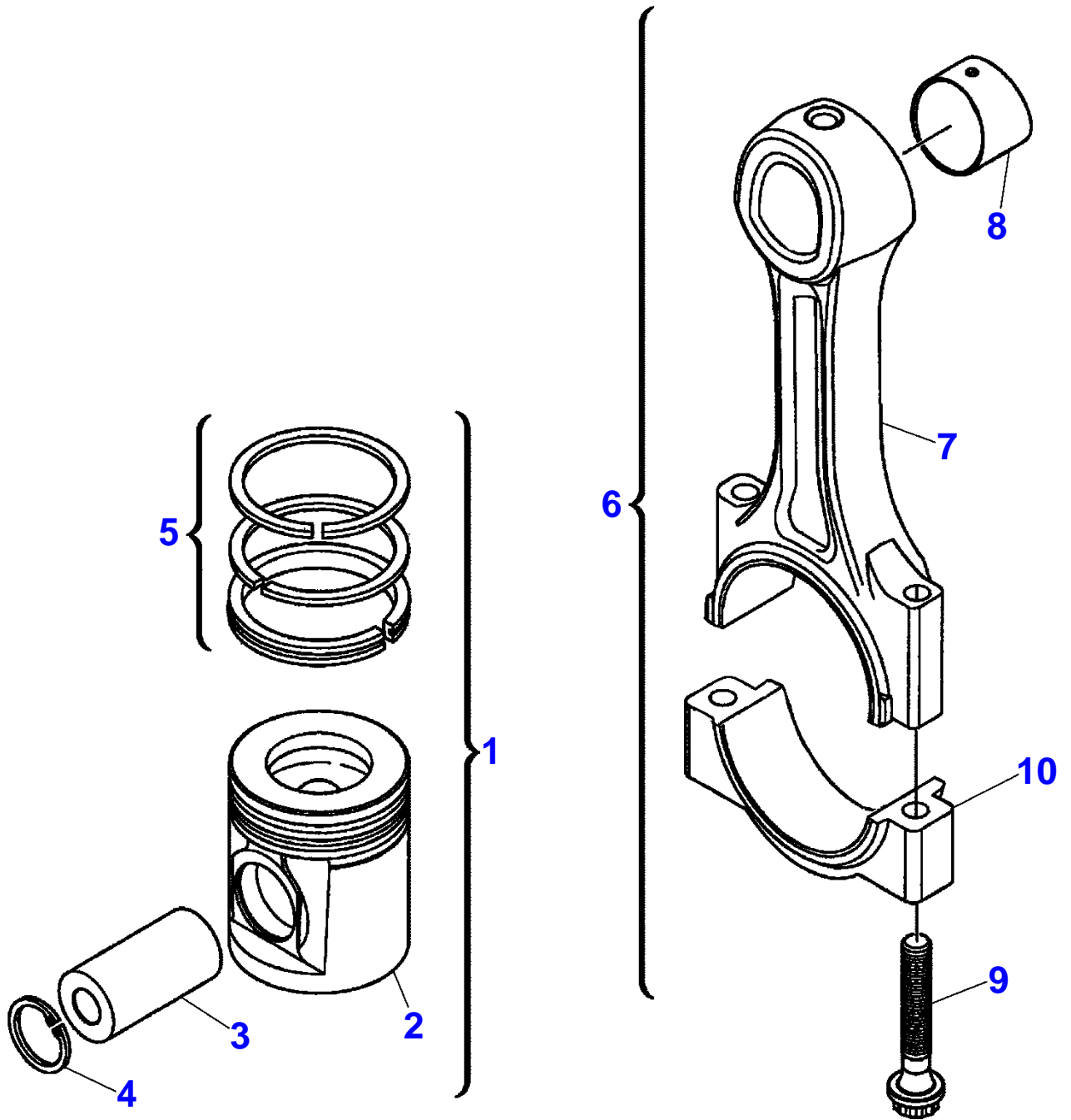
Item	Part Number	Qty	Description	Comments
1		1	KIT	[A]
2		1	CYLINDER BLOCK	THIS IS A COMPONENT OF AN ASSEMBLY 1 NOT SERVICED, ORDER REF.N.1
3		1	BEARING	NOT SERVICED, ORDER REF.N.1 THIS IS A COMPONENT OF AN ASSEMBLY 1
4		2	BEARING	THIS IS A COMPONENT OF AN ASSEMBLY 1 NOT SERVICED, ORDER REF.N.1
5		1	BEARING	NOT SERVICED, ORDER REF.N.1 THIS IS A COMPONENT OF AN ASSEMBLY 1
6		1	BEARING	THIS IS A COMPONENT OF AN ASSEMBLY 1 NOT SERVICED, ORDER REF.N.1
7	33142111	10	SLEEVE	THIS IS A COMPONENT OF AN ASSEMBLY 1
8	32166329	10	SCREW	THIS IS A COMPONENT OF AN ASSEMBLY 1
9	3112D071	1	BUSH	THIS IS A COMPONENT OF AN ASSEMBLY 1
10	3241A011	2	PLUG	THIS IS A COMPONENT OF AN ASSEMBLY 1
11	3241A012	1	PLUG	THIS IS A COMPONENT OF AN ASSEMBLY 1
12	0650588	1	PLUG	THIS IS A COMPONENT OF AN ASSEMBLY 1
13	0650710	1	PLUG	THIS IS A COMPONENT OF AN ASSEMBLY 1
14	32141316	1	PLUG	THIS IS A COMPONENT OF AN ASSEMBLY 1
15	3212P008	1	PLUG	THIS IS A COMPONENT OF AN ASSEMBLY 1
16	3244A009	2	DOWEL	THIS IS A COMPONENT OF AN ASSEMBLY 1
17	2314C049	1	SCREW	THIS IS A COMPONENT OF AN ASSEMBLY 1
18	2415D053	1	WASHER	THIS IS A COMPONENT OF AN ASSEMBLY 1
19	0650594	1	PLUG	THIS IS A COMPONENT OF AN ASSEMBLY 1
20	2113A003	4	ATOMISER	THIS IS A COMPONENT OF AN ASSEMBLY 1
21	2314F001	4	SCREW	THIS IS A COMPONENT OF AN ASSEMBLY 1
22	3753A071	1	COVER	THIS IS A COMPONENT OF AN ASSEMBLY 1
23	3688A041	1	GASKET	THIS IS A COMPONENT OF AN ASSEMBLY 1
24	2314H034	4	SCREW	THIS IS A COMPONENT OF AN ASSEMBLY 1

FOOTNOTE [A] TO BE ADVISED



CAMSHAFT

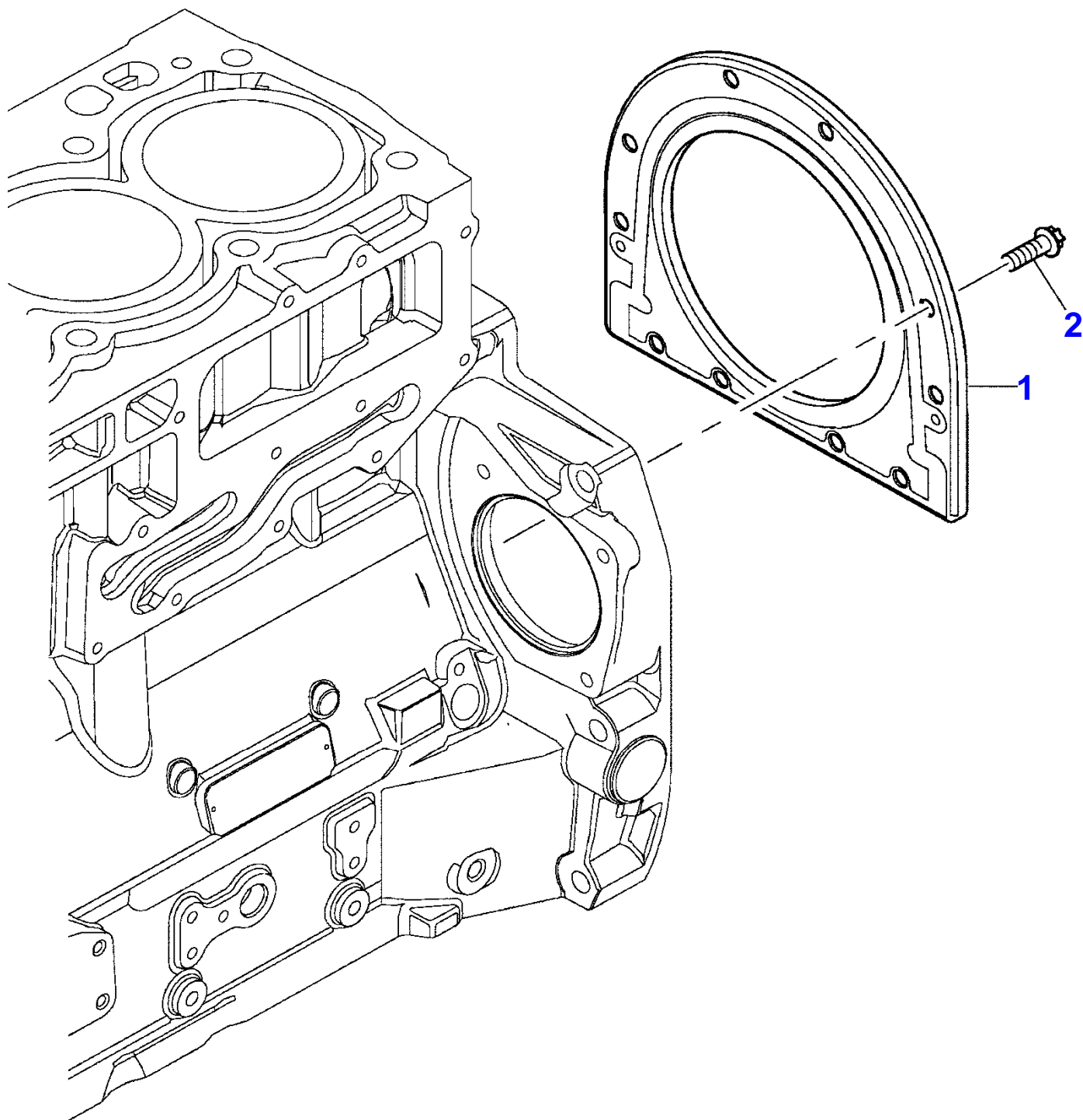
Item	Part Number	Qty	Description	Comments
1	ZZ90222	1	KIT	UP TO SERIAL OR ENGINE NUMBER U491476 T
	ZZ90237	1	SHAFT	FROM SERIAL OR ENGINE NUMBER U491477 T
2		1	SHAFT	THIS IS A COMPONENT OF AN ASSEMBLY 1 NOT SERVICED, ORDER REF.N.1
3	U5MB0018	1	KIT	THIS IS A COMPONENT OF AN ASSEMBLY 1
	U5MB0018A	1	KIT	THIS IS A COMPONENT OF AN ASSEMBLY 1 SHIM (+) 0.010"
	U5MB0018B	1	KIT	SHIM (+) 0.020" THIS IS A COMPONENT OF AN ASSEMBLY 1
	U5MB0018C	1	KIT	THIS IS A COMPONENT OF AN ASSEMBLY 1 SHIM (+) 0.030"
4	T400002	1	KIT	THIS IS A COMPONENT OF AN ASSEMBLY 1 FROM SERIAL OR ENGINE NUMBER U491477 T
	U5ME0026	1	KIT	UP TO SERIAL OR ENGINE NUMBER U491476 T
	U5ME0026A	1	KIT	THIS IS A COMPONENT OF AN ASSEMBLY 1 UP TO SERIAL OR ENGINE NUMBER U491476 T
	U5ME0026B	1	KIT	SHIM (+) 0.25MM SHIM (+) 0.50MM UP TO SERIAL OR ENGINE NUMBER U491476 T
	U5ME0026C	1	KIT	THIS IS A COMPONENT OF AN ASSEMBLY 1 THIS IS A COMPONENT OF AN ASSEMBLY 1 UP TO SERIAL OR ENGINE NUMBER U491476 T SHIM (+) 0.75MM
5	31137312	2	RING	SHIM (+) 0.007" THIS IS A COMPONENT OF AN ASSEMBLY 1
	31137551	2	WASHER	THIS IS A COMPONENT OF AN ASSEMBLY 1
6	31137322	2	SEAL	THIS IS A COMPONENT OF AN ASSEMBLY 1 SHIM (+) 0.007"
	31137561	2	WASHER	THIS IS A COMPONENT OF AN ASSEMBLY 1
7	0500012	1	KEY	THIS IS A COMPONENT OF AN ASSEMBLY 1
8	3117C221	1	GEAR	



PISTONS AND CONNECTING RODS

Item	Part Number	Qty	Description	Comments
1	U5PR0063	4	KIT	
2		1	PISTON	THIS IS A COMPONENT OF AN ASSEMBLY 1 NOT SERVICED, ORDER REF.N.1
3		1	PIN	NOT SERVICED, ORDER REF.N.1 THIS IS A COMPONENT OF AN ASSEMBLY 1
4	2721332	2	RING	THIS IS A COMPONENT OF AN ASSEMBLY 1
5	UPRK0003	1	SEGMENT	THIS IS A COMPONENT OF AN ASSEMBLY 1
6	4115C311	4	KIT	[A] UP TO SERIAL OR ENGINE NUMBER U491477 T
	4115C312	4	KIT	[B] UP TO SERIAL OR ENGINE NUMBER U491477 T
	4115C313	4	KIT	[C] UP TO SERIAL OR ENGINE NUMBER U491477 T
	4115C314	4	KIT	[D] UP TO SERIAL OR ENGINE NUMBER U491477 T
	4115C315	4	KIT	[E] UP TO SERIAL OR ENGINE NUMBER U491477 T
	4115C316	4	KIT	[F] UP TO SERIAL OR ENGINE NUMBER U491477 T
	4115C361	4	CONROD	[A] FROM SERIAL OR ENGINE NUMBER U491478 T
	4115C362	4	CONROD	[B] FROM SERIAL OR ENGINE NUMBER U491478 T
	4115C363	4	CONROD	[C] FROM SERIAL OR ENGINE NUMBER U491478 T
	4115C364	4	CONROD	[D] FROM SERIAL OR ENGINE NUMBER U491478 T
	4115C365	4	CONROD	[E] FROM SERIAL OR ENGINE NUMBER U491478 T
	4115C366	4	CONROD	[F] FROM SERIAL OR ENGINE NUMBER U491478 T
7		1	CONROD	THIS IS A COMPONENT OF AN ASSEMBLY 6 NOT SERVICED, ORDER REF.N.6
8	3112A005	1	BUSH	THIS IS A COMPONENT OF AN ASSEMBLY 6
9	3212V003	2	SCREW	THIS IS A COMPONENT OF AN ASSEMBLY 6
10		1	GUARD	THIS IS A COMPONENT OF AN ASSEMBLY 6 NOT SERVICED, ORDER REF.N.6

FOOTNOTE [A] RED
 FOOTNOTE [B] ORANGE
 FOOTNOTE [C] WHITE
 FOOTNOTE [D] GREEN
 FOOTNOTE [E] PURPLE
 FOOTNOTE [F] BLUE



Massey Ferguson

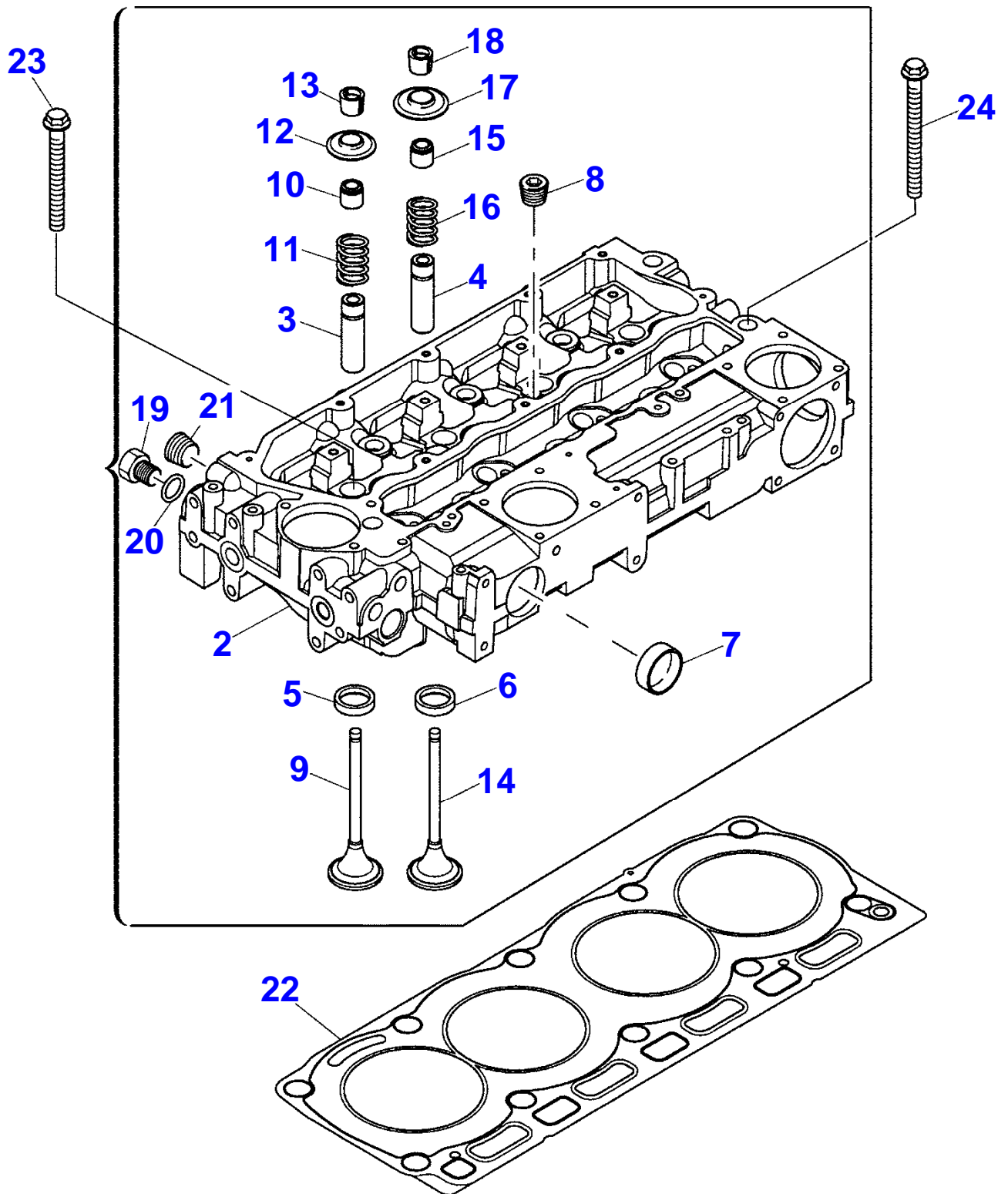
MF 3455 C / CF / CFM CRAWLER TRACTORS (TIER 3) - 4217085

4217085

END COVER

Page010-0006

Item	Part Number	Qty	Description
1	2418F704	1	GASKET
2	3211C002	10	SCREW

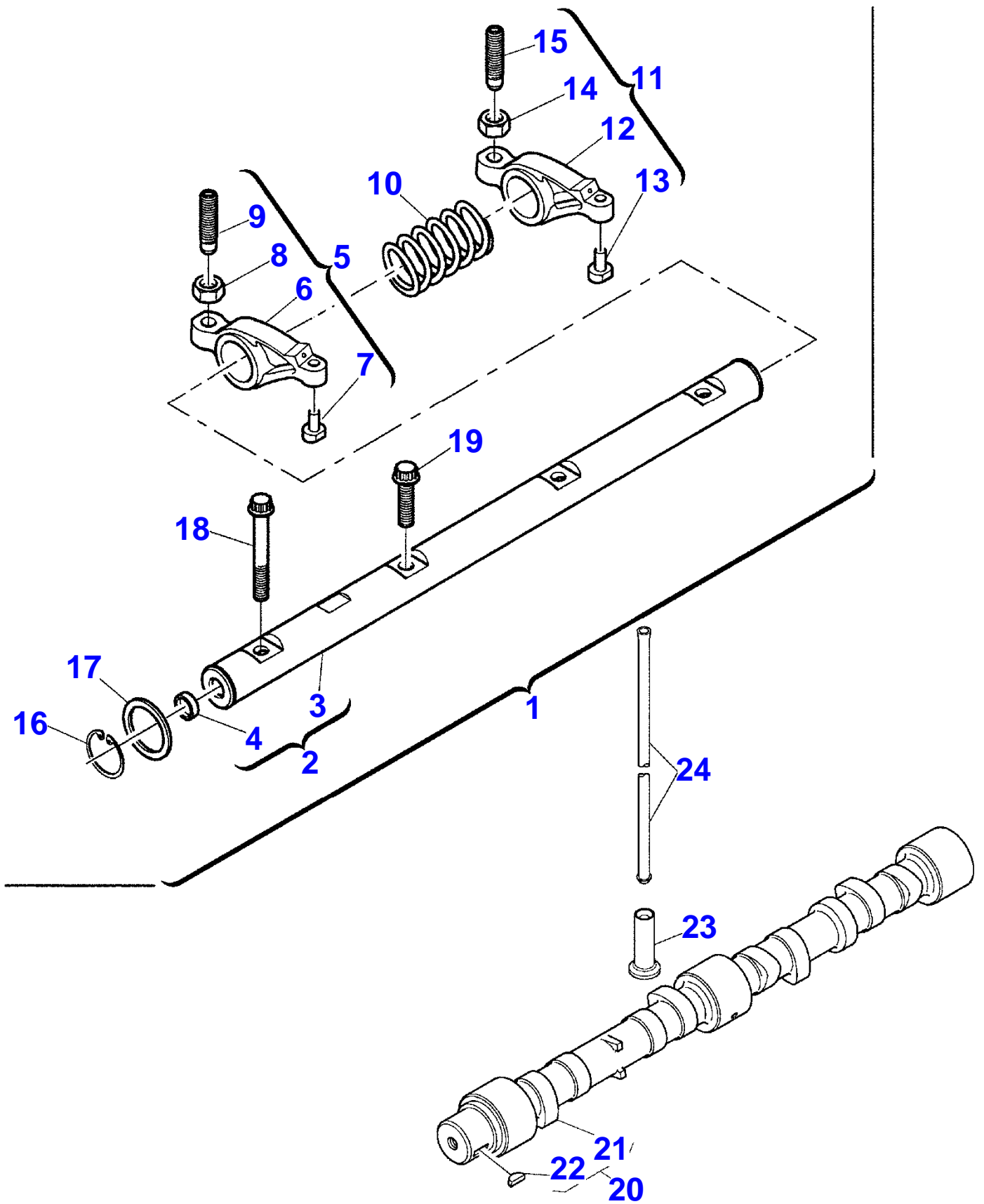


CYLINDER HEAD

Item	Part Number	Qty	Description	Comments
1	ZZ80280	1	CYLINDER HEAD	
2		1	BODY	NOT SERVICED, ORDER REF.N.1
3	3313A012	4	INSERT	THIS IS A COMPONENT OF AN ASSEMBLY 1
4	3313A012	4	INSERT	THIS IS A COMPONENT OF AN ASSEMBLY 1
5	3314A221	4	INSERT	THIS IS A COMPONENT OF AN ASSEMBLY 1
6	3314A231	4	INSERT	THIS IS A COMPONENT OF AN ASSEMBLY 1
7	32416117	2	PLUG	THIS IS A COMPONENT OF AN ASSEMBLY 1
8	0650588	4	PLUG	THIS IS A COMPONENT OF AN ASSEMBLY 1
9	3142H101	4	VALVE	THIS IS A COMPONENT OF AN ASSEMBLY 1
10	2418M519	4	RING	[A] THIS IS A COMPONENT OF AN ASSEMBLY 1
11	3174A031	4	SPRING	THIS IS A COMPONENT OF AN ASSEMBLY 1
12	3342A021	4	COVER	THIS IS A COMPONENT OF AN ASSEMBLY 1
13	2714A002	8	COLLAR	THIS IS A COMPONENT OF AN ASSEMBLY 1
14	3142A171	4	VALVE	THIS IS A COMPONENT OF AN ASSEMBLY 1
15	2418M517	4	RING	[B] THIS IS A COMPONENT OF AN ASSEMBLY 1
16	3174A031	4	SPRING	THIS IS A COMPONENT OF AN ASSEMBLY 1
17	3342A021	4	COVER	THIS IS A COMPONENT OF AN ASSEMBLY 1
18	2714A002	8	COLLAR	THIS IS A COMPONENT OF AN ASSEMBLY 1
19	3278A006	1	PLUG	THIS IS A COMPONENT OF AN ASSEMBLY 1
20	2415H003	1	RING	THIS IS A COMPONENT OF AN ASSEMBLY 1
21	2431154	1	PLUG	THIS IS A COMPONENT OF AN ASSEMBLY 1
22	3681E051	1	GASKET	
23	3218A011	7	SCREW	
24	3218A012	3	SCREW	

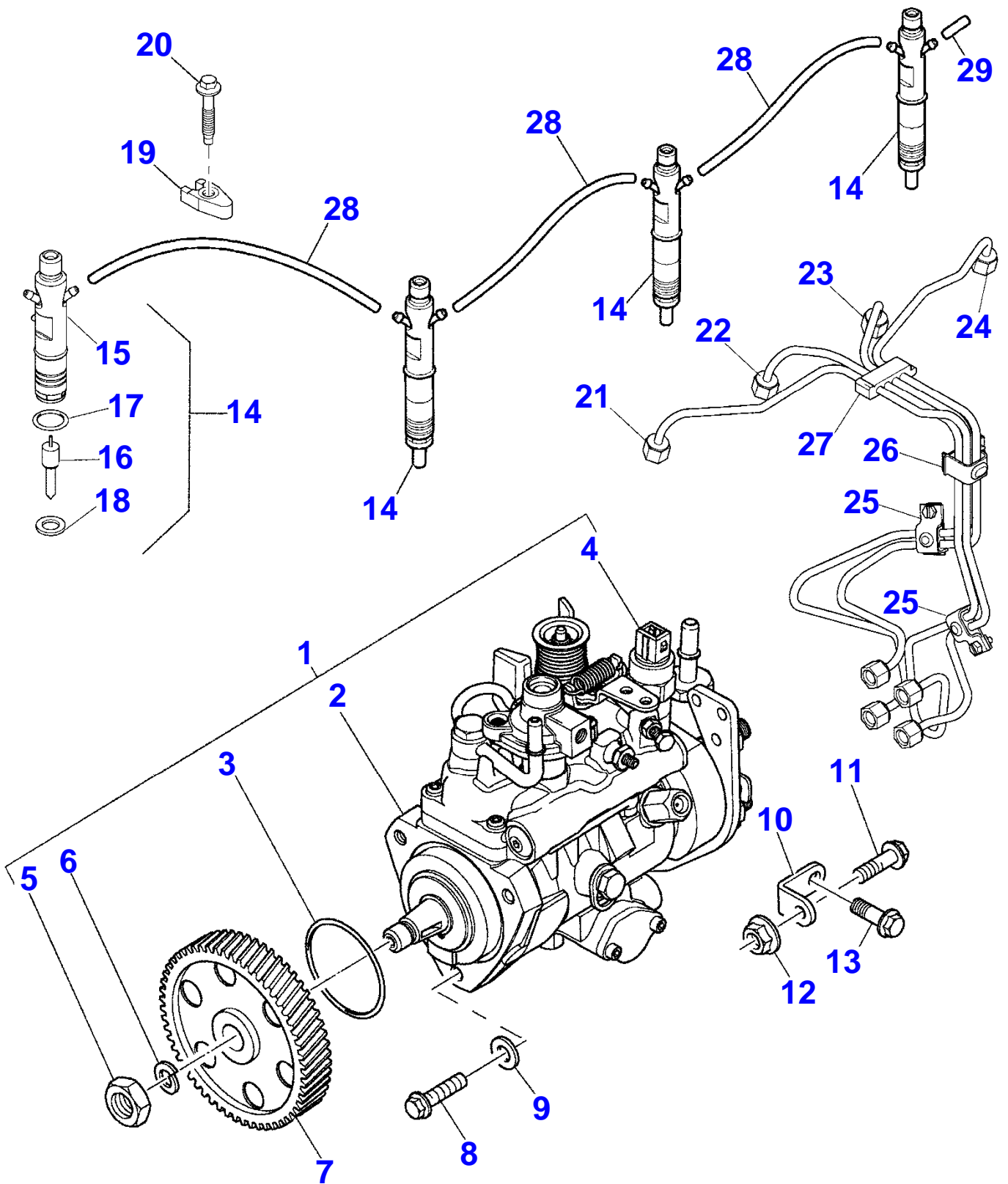
FOOTNOTE [A] GREEN

FOOTNOTE [B] BROWN



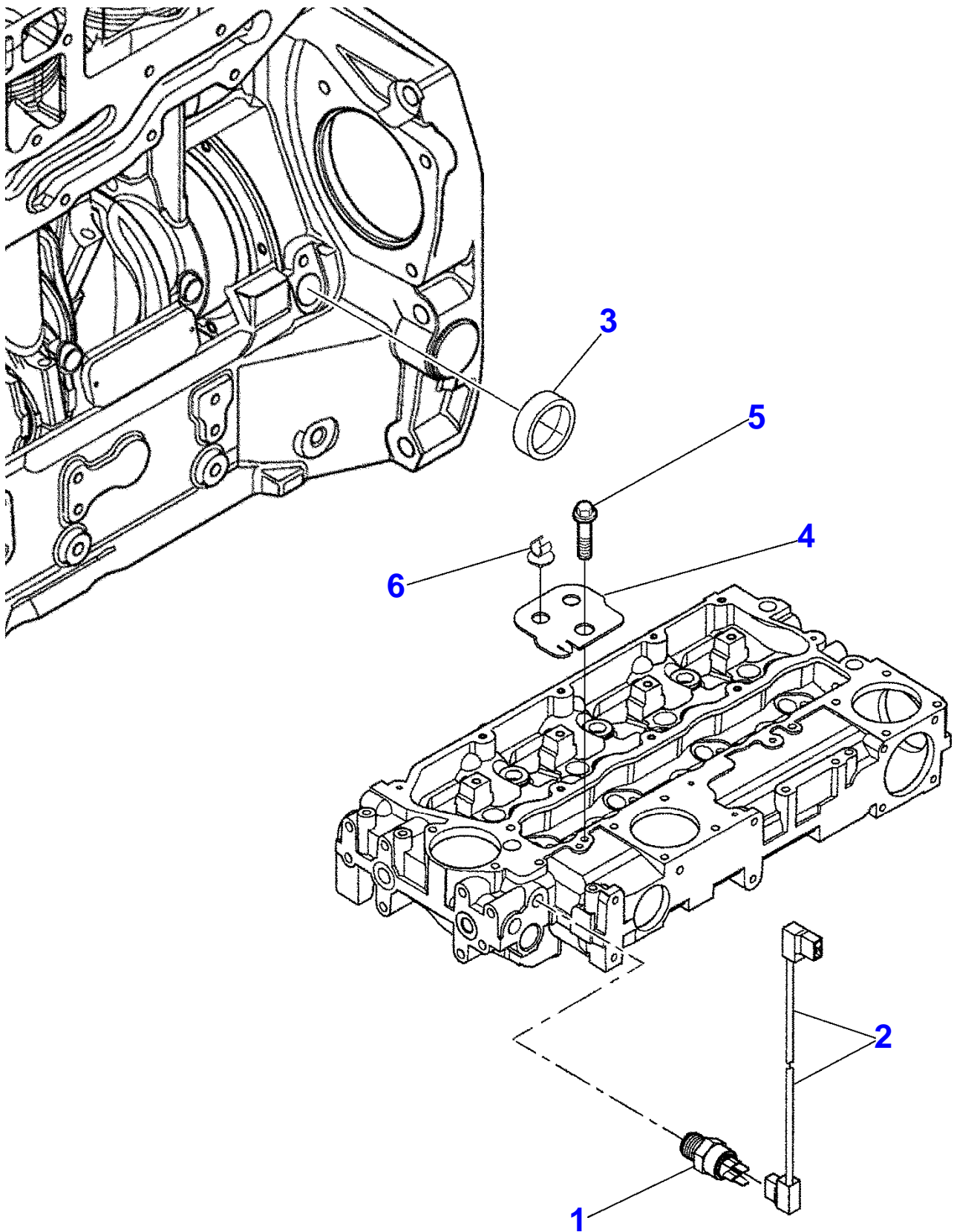
ROCKER SHAFT

Item	Part Number	Qty	Description	Comments
1	4115R613	1	AXLE	
2	4115R703	1	SHAFT	THIS IS A COMPONENT OF AN ASSEMBLY 1
3		1	AXLE	THIS IS A COMPONENT OF AN ASSEMBLY 2 NOT SERVICED, ORDER REF.N.2
4	2485A104	2	PLUG	THIS IS A COMPONENT OF AN ASSEMBLY 2
5	4115R319	4	LEVER	THIS IS A COMPONENT OF AN ASSEMBLY 1
6		1	ROCKER	THIS IS A COMPONENT OF AN ASSEMBLY 5 NOT SERVICED, ORDER REF.N.5
7		1	PAD	NOT SERVICED, ORDER REF.N.5 THIS IS A COMPONENT OF AN ASSEMBLY 5
8	3331A006	1	NUT	THIS IS A COMPONENT OF AN ASSEMBLY 5
9	3211C004	1	SCREW	THIS IS A COMPONENT OF AN ASSEMBLY 5
10	3174A015	3	SPRING	THIS IS A COMPONENT OF AN ASSEMBLY 1
11	4115R318	4	LEVER	THIS IS A COMPONENT OF AN ASSEMBLY 1
12		1	ROCKER	THIS IS A COMPONENT OF AN ASSEMBLY 11 NOT SERVICED, ORDER REF.N.11
13		1	PAD	NOT SERVICED, ORDER REF.N.11 THIS IS A COMPONENT OF AN ASSEMBLY 11
14	3331A006	1	NUT	THIS IS A COMPONENT OF AN ASSEMBLY 11
15	3211C004	1	SCREW	THIS IS A COMPONENT OF AN ASSEMBLY 11
16	2722A022	2	RING	THIS IS A COMPONENT OF AN ASSEMBLY 1
17	2134A502	2	WASHER	THIS IS A COMPONENT OF AN ASSEMBLY 1
18	2316A901	1	SCREW	THIS IS A COMPONENT OF AN ASSEMBLY 1
19	2316A902	3	SCREW	THIS IS A COMPONENT OF AN ASSEMBLY 1
20	4112K032	1	SHAFT	
21		1	SHAFT	THIS IS A COMPONENT OF AN ASSEMBLY 20 NOT SERVICED, ORDER REF.N.20
22	0500012	1	KEY	THIS IS A COMPONENT OF AN ASSEMBLY 20
23	0500012	1	KEY	THIS IS A COMPONENT OF AN ASSEMBLY 20
	3142U061	8	TAPPET	
24	3142V011	8	ROD	



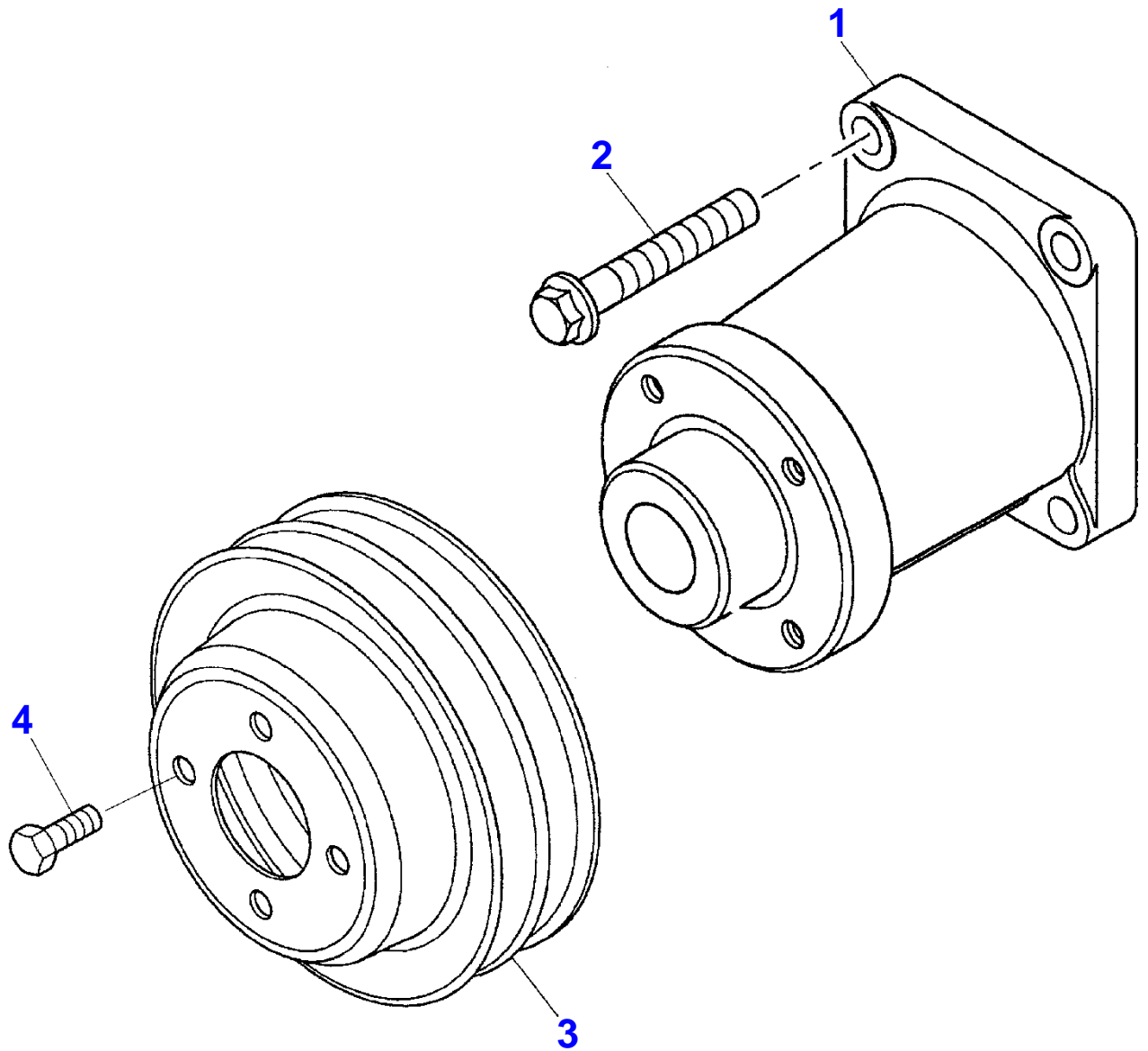
FUEL INJECTION EQUIPMENT (DIESEL)

Item	Part Number	Qty	Description	Comments
1	2644C313/22	1	PUMP	
2		1	PUMP	THIS IS A COMPONENT OF AN ASSEMBLY 1 NOT SERVICED, ORDER REF.N.1
3	26420318	1	RING	THIS IS A COMPONENT OF AN ASSEMBLY 1
4	26420469	1	SOLENOID	THIS IS A COMPONENT OF AN ASSEMBLY 1
5	2318A108	1	NUT	THIS IS A COMPONENT OF AN ASSEMBLY 1
6	K134AF01	1	WASHER	THIS IS A COMPONENT OF AN ASSEMBLY 1
7	3117L261	1	GEAR	
8	2314H004	3	SCREW	
9	2411D008	3	WASHER	
10	3641A007	1	STIRRUP	
11	2314H003	1	SCREW	
12	2318A603	1	NUT	
13	2314J002	1	SCREW	
14	2645K025	4	NOZZLE	
15		1	SUPPORT	THIS IS A COMPONENT OF AN ASSEMBLY 14 NOT SERVICED, ORDER REF.N.14
16		1	NOZZLE	THIS IS A COMPONENT OF AN ASSEMBLY 14
17	26460064	1	RING	THIS IS A COMPONENT OF AN ASSEMBLY 14
18	L311FF02	1	WASHER	THIS IS A COMPONENT OF AN ASSEMBLY 14
19	3751A241	4	CLAMP	
20	2314W009	4	SCREW	
21	3525A101	1	PIPE	
22	3525A102	1	PIPE	
23	3525A103	1	PIPE	
24	3525A104	1	PIPE	
25	2481Y011	2	CLIP	
26	2481Y012	1	CLIP	
27	2646E019	1	CLIP	
28	2646F501	3	PIPE	
29	2646E501	1	CAP	



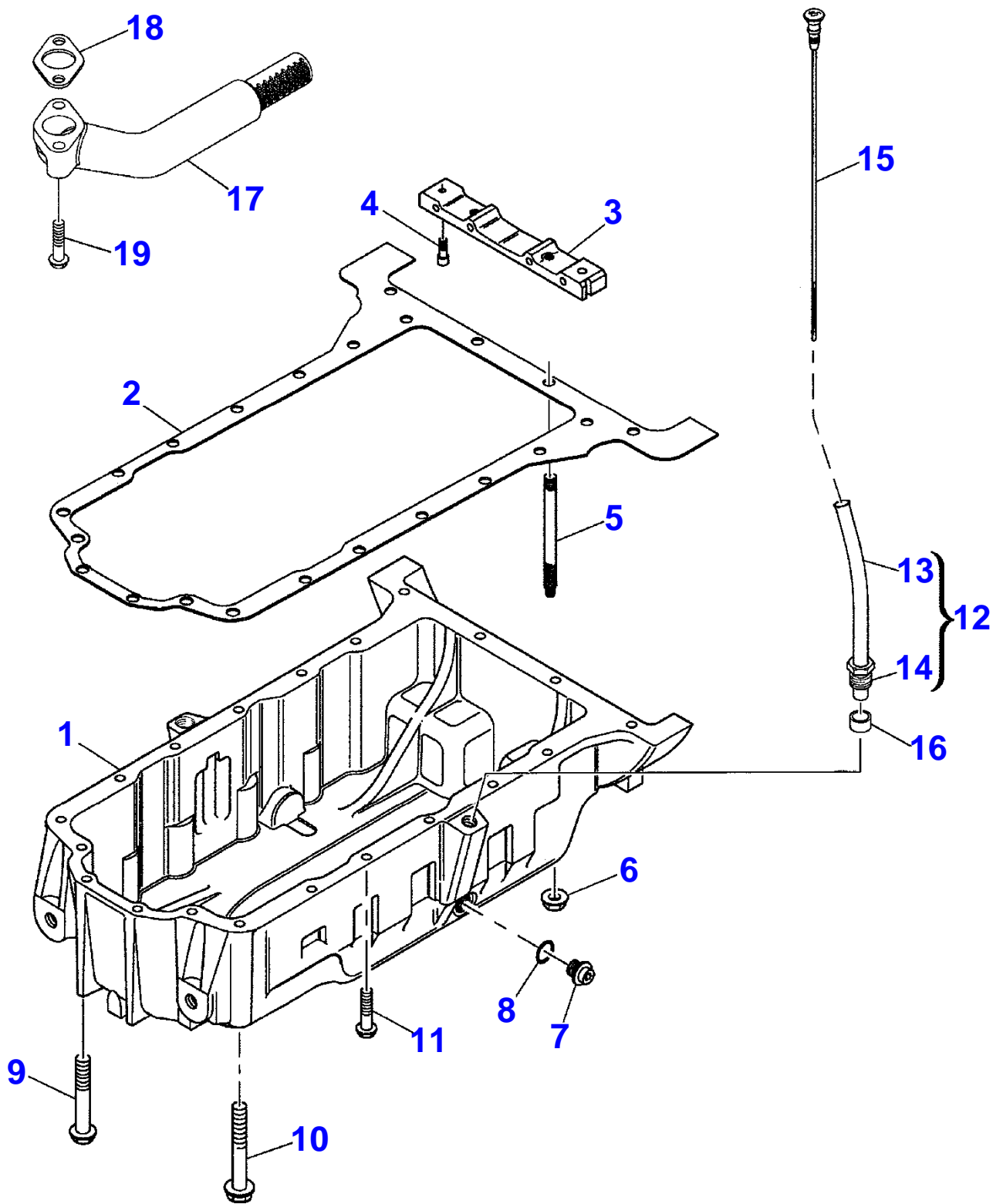
Item	Part Number	Qty	Description	Comments
1	2848A127	1	SENSOR	[A]
2	3161C017	1	CABLE	
3	2485A109	1	PLUG	
4	3653A017	1	STIRRUP	
5	2314H002	1	SCREW	
6	2481D456	1	CLIP	

FOOTNOTE [A] ENGINE WATER TEMPERATURE



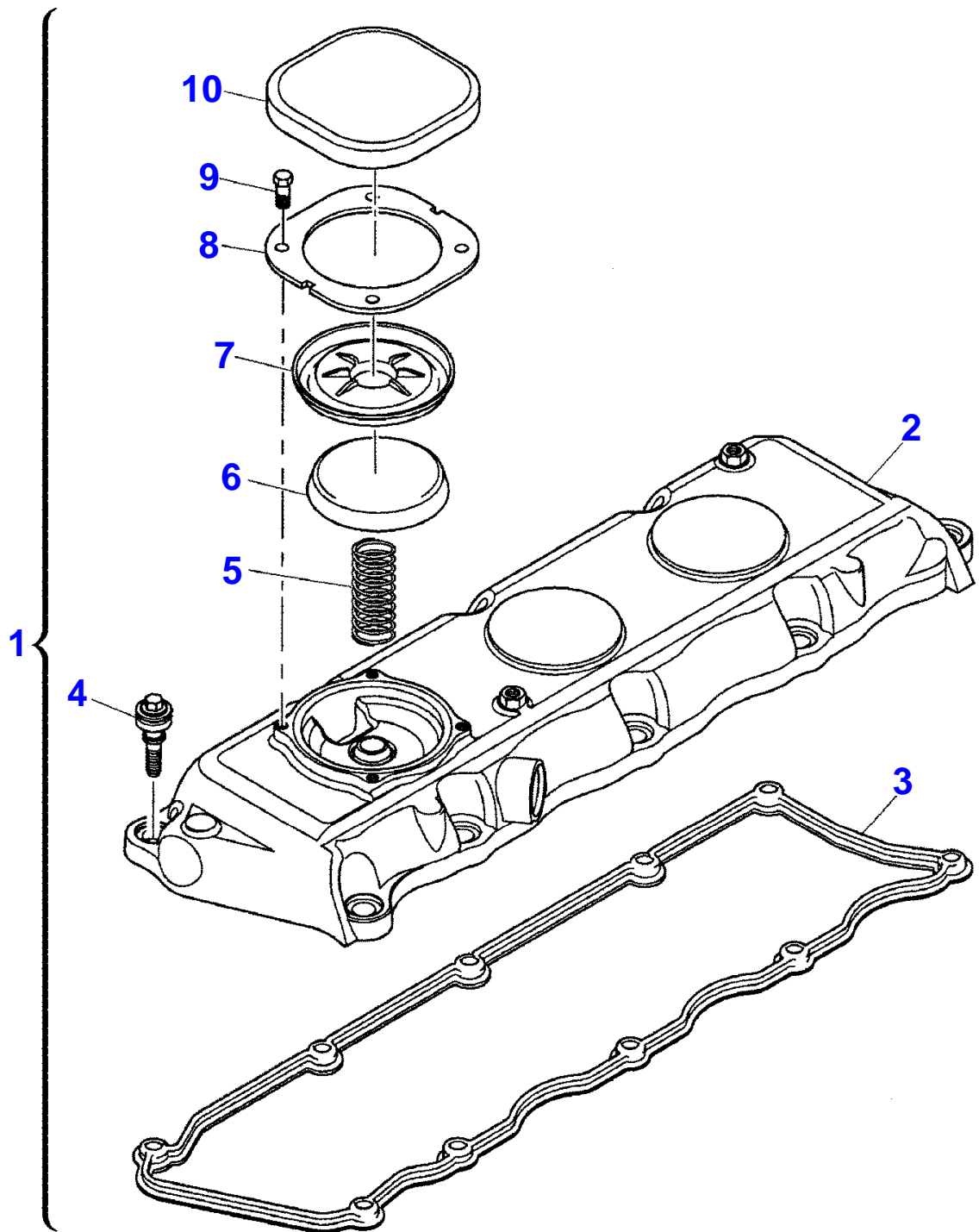
FAN-TYPE PULLEY

Item	Part Number	Qty	Description
1	4113K005	1	HOUSING
2	2314J005	4	SCREW
3	3115C161	1	PULLEY
4	2314C044	4	SCREW



LUBRICATING OIL SUMP

Item	Part Number	Qty	Description	Comments
1	3717E272	1	SUMP	
2	3681K036	1	GASKET	
3	3627P041	1	CROSSPIECE	
4	2311D039	2	SCREW	
5	3211P013	2	STUD	
6	2318A603	2	NUT	
7	32186405	1	PLUG	
8	2415715	1	RING	
9	2314H023	5	SCREW	
10	2314H022	1	SCREW	REPAIRS AND REPLACES 2314H052 (1)
11	2314H015	12	SCREW	
12	3577A125	1	PIPE	REPAIRS AND REPLACES 3577A157 (1)
13		1	PIPE	THIS IS A COMPONENT OF AN ASSEMBLY 12 NOT SERVICED, ORDER REF.N.12
14	3353D005	1	NUT	THIS IS A COMPONENT OF AN ASSEMBLY 12
15	3178C081	1	ROD	
16	33812116	1	OLIVE	
17	3765A091	1	PIPE	
18	36832137	1	GASKET	
19	2314H006	2	SCREW	





Suggest:

For more complete manuals. Please go to the home page.

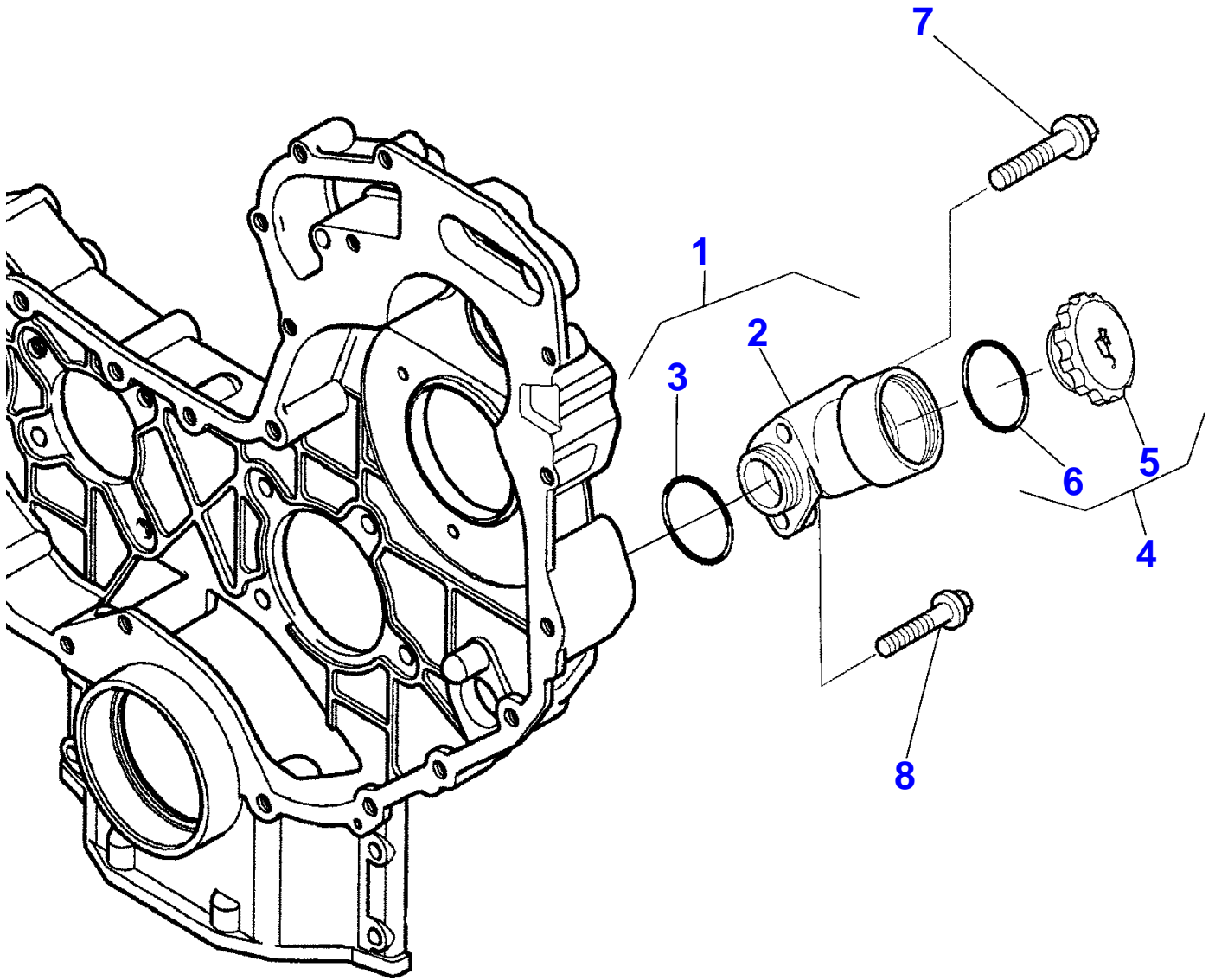
<https://www.ebooklibonline.com>

If the above button click is invalid. Please download this document first, and then click the above link to download the complete manual.

Thank you so much for reading

CYLINDER HEAD COVER

Item	Part Number	Qty	Description	Comments
1	4142X325	1	COVER	
2		1	COVER	THIS IS A COMPONENT OF AN ASSEMBLY 1 NOT SERVICED, ORDER REF.N.1
3	3681A055	1	GASKET	THIS IS A COMPONENT OF AN ASSEMBLY 1
4		10	SCREW	THIS IS A COMPONENT OF AN ASSEMBLY 1 NOT SERVICED, ORDER REF.N.1
5	3174A017	1	SPRING	THIS IS A COMPONENT OF AN ASSEMBLY 1
6	3788A002	1	CAP	THIS IS A COMPONENT OF AN ASSEMBLY 1
7	3789A001	1	SPRING	THIS IS A COMPONENT OF AN ASSEMBLY 1
8	3615A009	1	PLATE	THIS IS A COMPONENT OF AN ASSEMBLY 1
9	2151A001	4	SCREW	THIS IS A COMPONENT OF AN ASSEMBLY 1
10	3788A003	1	CAP	THIS IS A COMPONENT OF AN ASSEMBLY 1



<https://www.ebooklibonline.com>

Hello dear friend!

Thank you very much for reading.

Enter the link into your browser.

The full manual is available for immediate download.

<https://www.ebooklibonline.com>