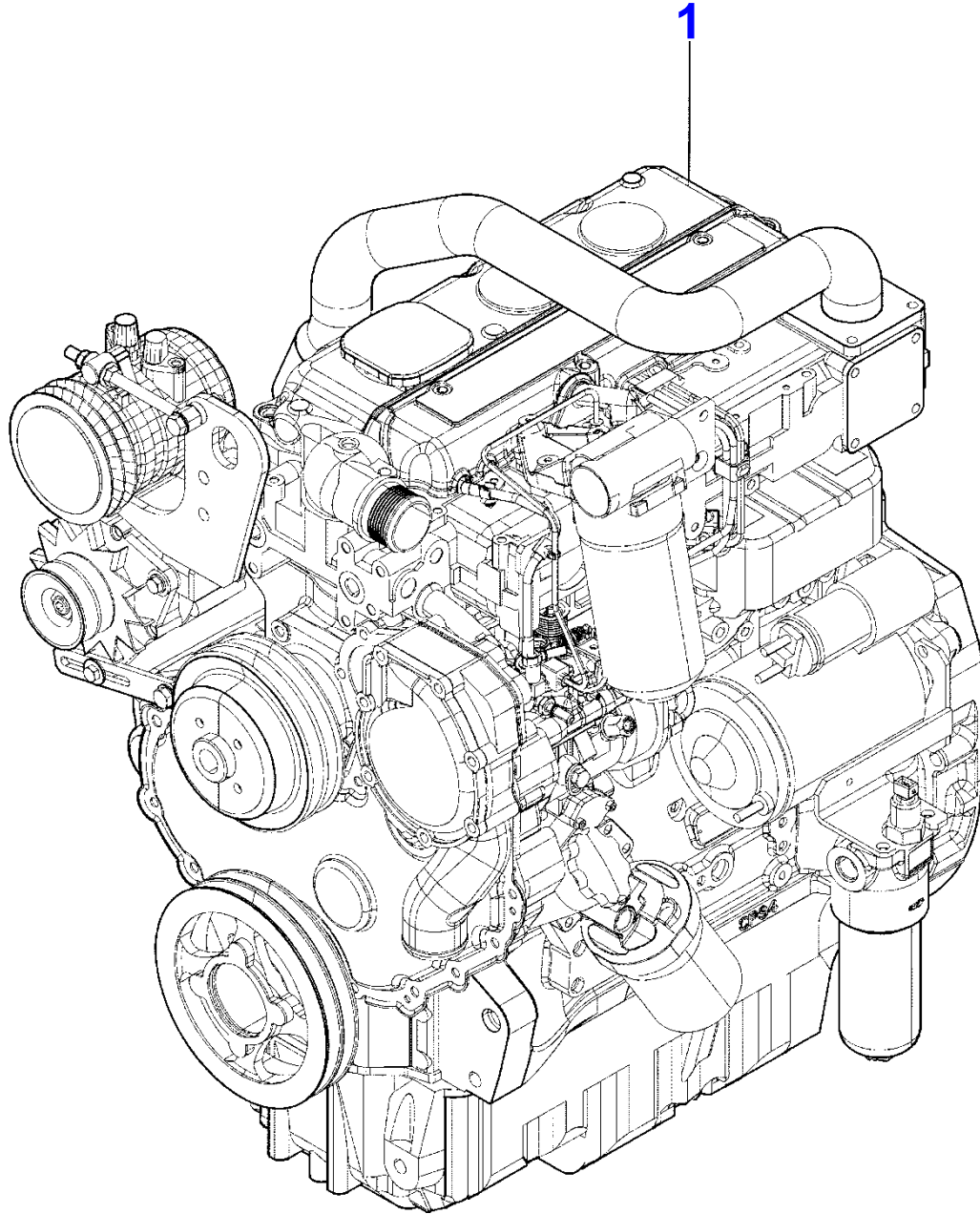


Page Title	Page Number
ENGINE ASSEMBLY	010-0001
SHORT ENGINE	010-0002
CYLINDER BLOCK	010-0003
CAMSHAFT	010-0004
PISTONS AND CONNECTING RODS	010-0005
END COVER	010-0006
CYLINDER HEAD	010-0007
ROCKER SHAFT	010-0008
FUEL INJECTION EQUIPMENT (DIESEL)	010-0009
SENSOR PICKUP,START AND STOP CONTROL	010-0010
FAN-TYPE PULLEY	010-0011
LUBRICATING OIL SUMP	010-0012
CYLINDER HEAD COVER	010-0013
FILLER	010-0014
BREATHER	010-0015
GASKET SETS	010-0016
CYLINDER HEAD COVER	010-0017
OIL BATH AIR FILTER - LAUTRETTE	010-0018
LUBRICATING OIL FILTER	010-0019
CLOSING PLATE	010-0020
FRONT END DRIVE INPUT - AUXILIARY DRIVE	010-0021
FRONT END DRIVE INPUT - AUXILIARY DRIVE	010-0022
WATER PUMP	010-0023
WATER OUTLET AND INLET	010-0024
COVER TIMING GEAR	010-0025
LUBRICATING OIL PUMP AND DELIVERY HOUSING	010-0026
INDUCTION MANIFOLD	010-0027
EXHAUST MANIFOLD	010-0028
FUEL LIFT PUMP	010-0029
ACCESSORIES MISCELLANEOUS	010-0030
FUEL PIPE	010-0031
FUEL PIPINGS	010-0032
TURBOCHARGER	010-0033



Massey Ferguson

MF 3435 C / CF / CFM CRAWLER TRACTORS ( TIER 3 ) - 4217083

4217083

ENGINE ASSEMBLY

Page010-0001

Item	Part Number	Qty	Description	Comments
1	3696815M91	1	ENGINE	60 KW

**<https://www.ebooklibonline.com>**

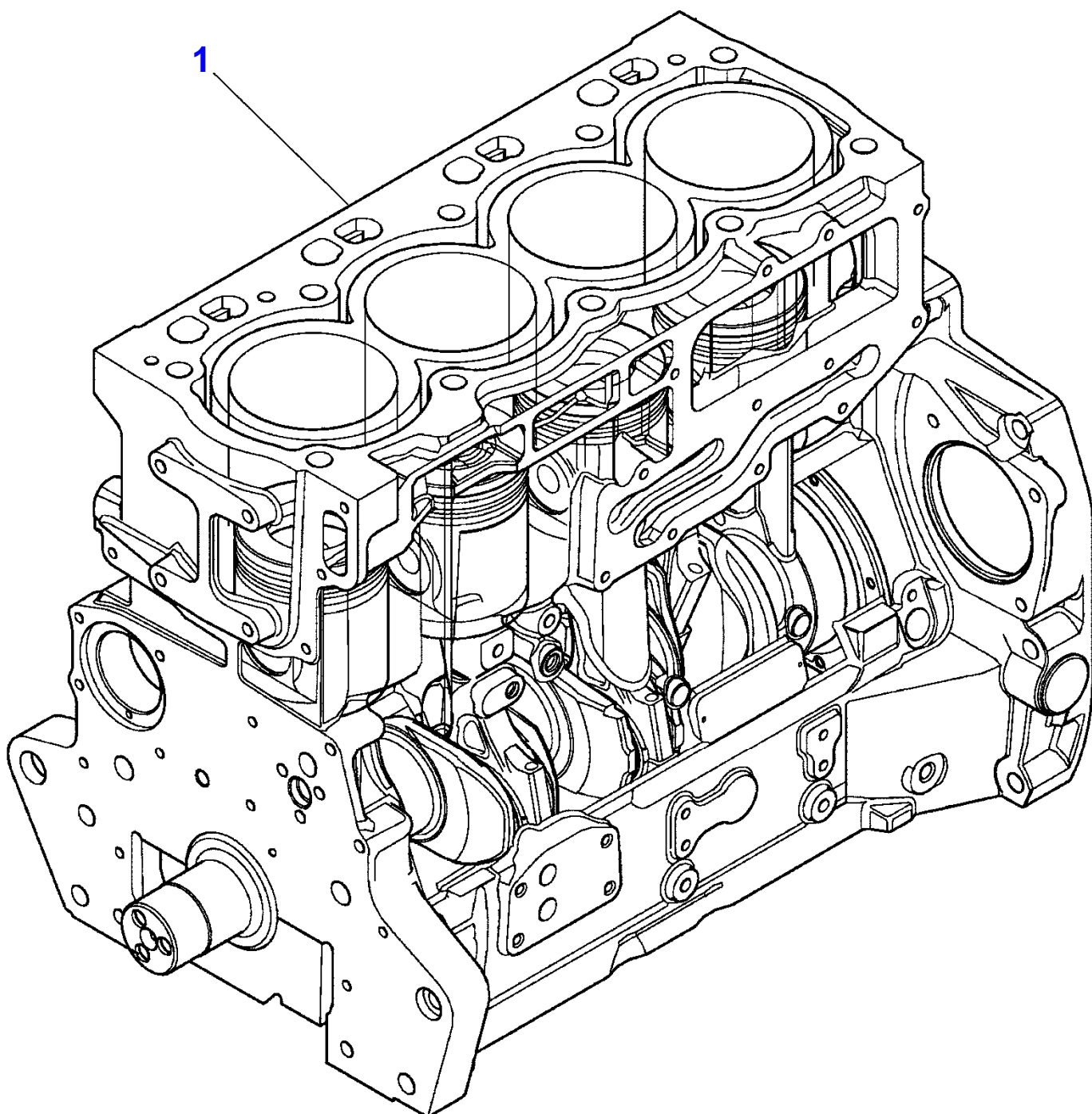
Hello dear friend!

Thank you very much for reading.

Enter the link into your browser.

The full manual is available for immediate download.

**<https://www.ebooklibonline.com>**



Massey Ferguson

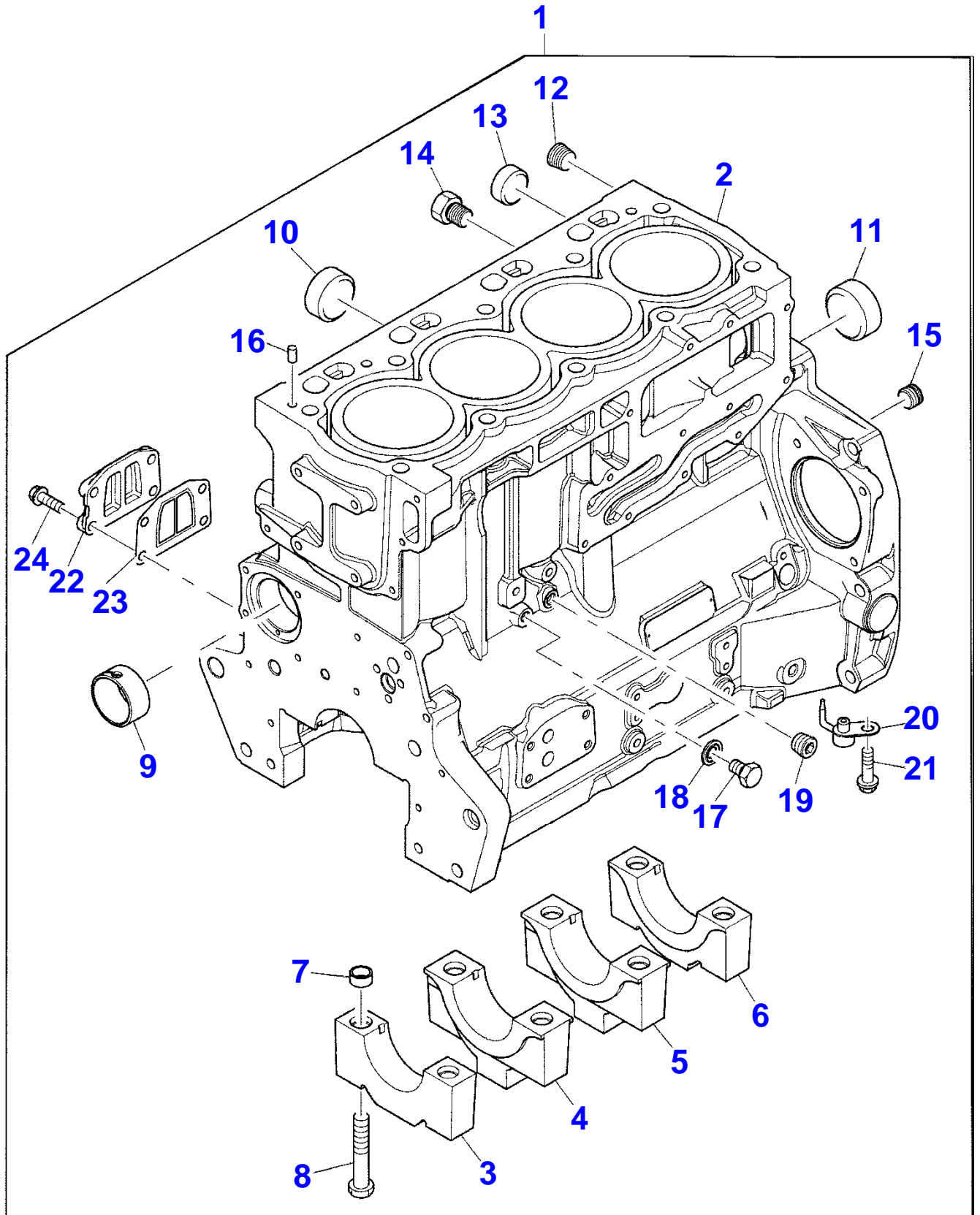
MF 3435 C / CF / CFM CRAWLER TRACTORS ( TIER 3 ) - 4217083

4217083

SHORT ENGINE

Page010-0002

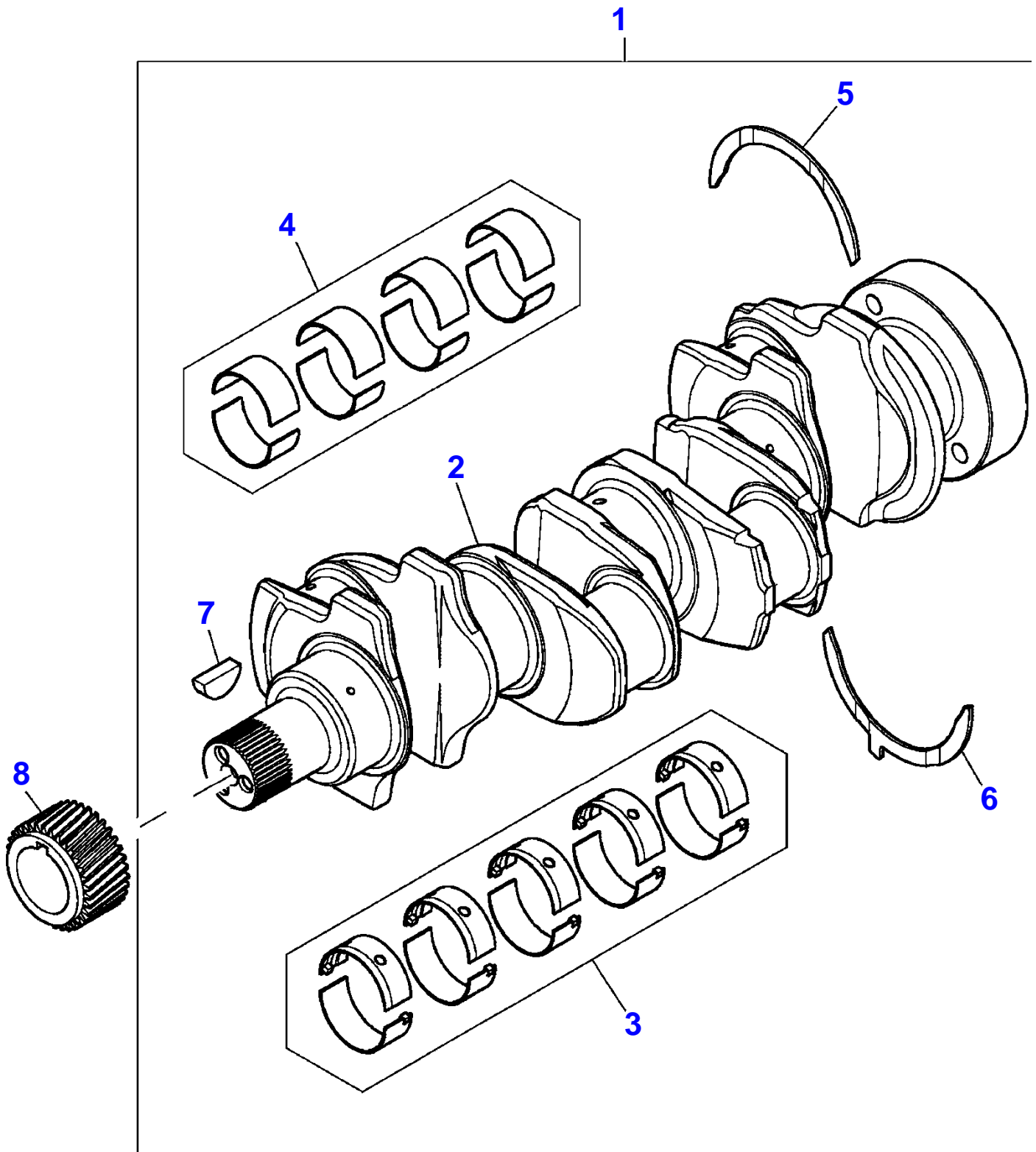
Item	Part Number	Qty	Description
1	NM40008	1	SHORT ENGINE



## CYLINDER BLOCK

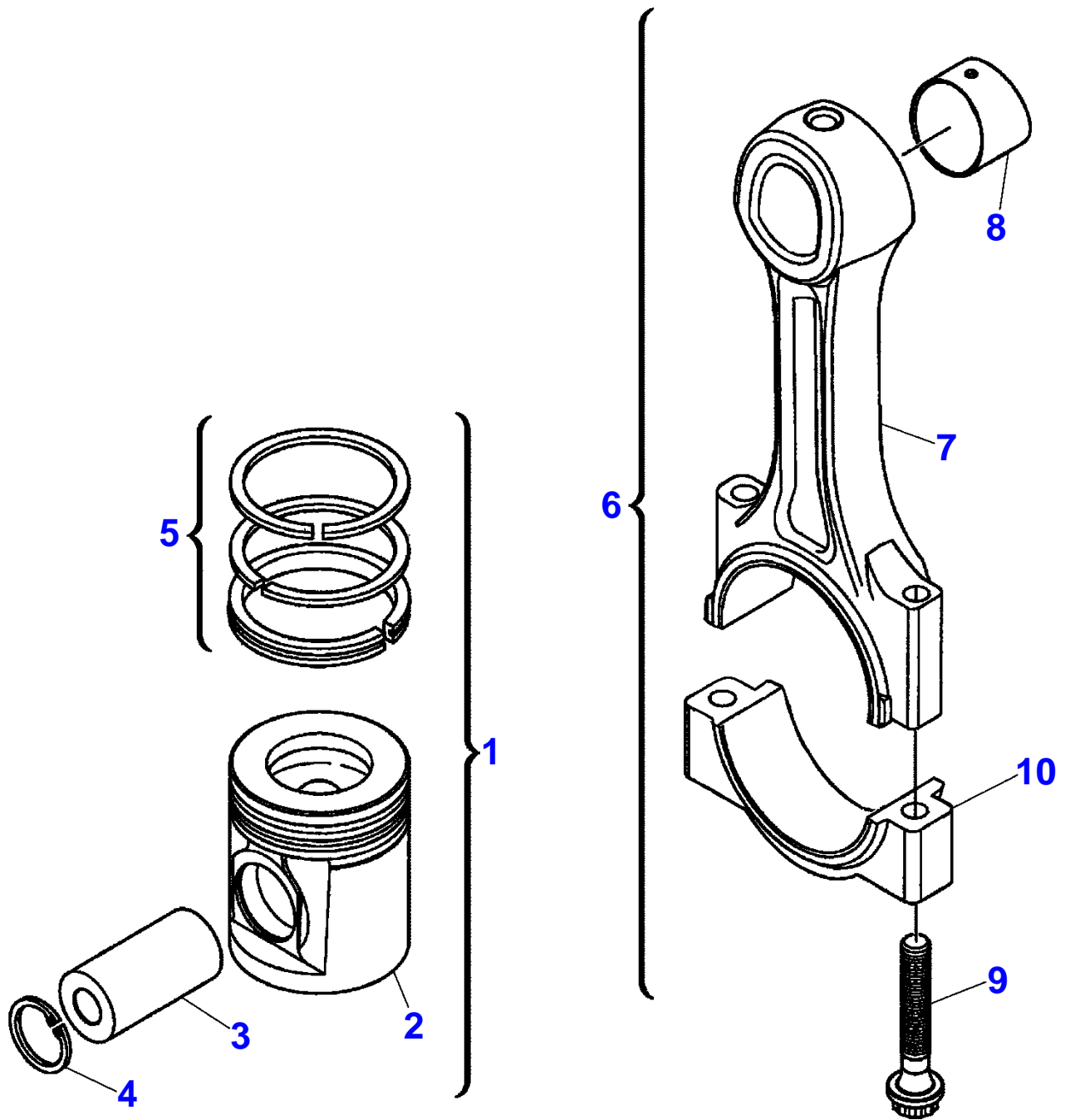
Item	Part Number	Qty	Description	Comments
1		1	KIT	[A]
2		1	CYLINDER BLOCK	THIS IS A COMPONENT OF AN ASSEMBLY 1 NOT SERVICED, ORDER REF.N.1
3		1	BEARING	NOT SERVICED, ORDER REF.N.1 THIS IS A COMPONENT OF AN ASSEMBLY 1
4		2	BEARING	THIS IS A COMPONENT OF AN ASSEMBLY 1 NOT SERVICED, ORDER REF.N.1
5		1	BEARING	NOT SERVICED, ORDER REF.N.1 THIS IS A COMPONENT OF AN ASSEMBLY 1
6		1	BEARING	THIS IS A COMPONENT OF AN ASSEMBLY 1 NOT SERVICED, ORDER REF.N.1
7	33142111	10	SLEEVE	THIS IS A COMPONENT OF AN ASSEMBLY 1
8	32166329	10	SCREW	THIS IS A COMPONENT OF AN ASSEMBLY 1
9	3112D071	1	BUSH	THIS IS A COMPONENT OF AN ASSEMBLY 1
10	3241A011	2	PLUG	THIS IS A COMPONENT OF AN ASSEMBLY 1
11	3241A012	1	PLUG	THIS IS A COMPONENT OF AN ASSEMBLY 1
12	0650588	1	PLUG	THIS IS A COMPONENT OF AN ASSEMBLY 1
13	0650710	1	PLUG	THIS IS A COMPONENT OF AN ASSEMBLY 1
14	32141316	1	PLUG	THIS IS A COMPONENT OF AN ASSEMBLY 1
15	3212P008	1	PLUG	THIS IS A COMPONENT OF AN ASSEMBLY 1
16	3244A009	2	DOWEL	THIS IS A COMPONENT OF AN ASSEMBLY 1
17	2314C049	1	SCREW	THIS IS A COMPONENT OF AN ASSEMBLY 1
18	2415D053	1	WASHER	THIS IS A COMPONENT OF AN ASSEMBLY 1
19	0650594	1	PLUG	THIS IS A COMPONENT OF AN ASSEMBLY 1
20	2113A003	4	ATOMISER	THIS IS A COMPONENT OF AN ASSEMBLY 1
21	2314F001	4	SCREW	THIS IS A COMPONENT OF AN ASSEMBLY 1
22	3753A071	1	COVER	THIS IS A COMPONENT OF AN ASSEMBLY 1
23	3688A041	1	GASKET	THIS IS A COMPONENT OF AN ASSEMBLY 1
24	2314H034	4	SCREW	THIS IS A COMPONENT OF AN ASSEMBLY 1

FOOTNOTE [A] TO BE ADVISED



## CAMSHAFT

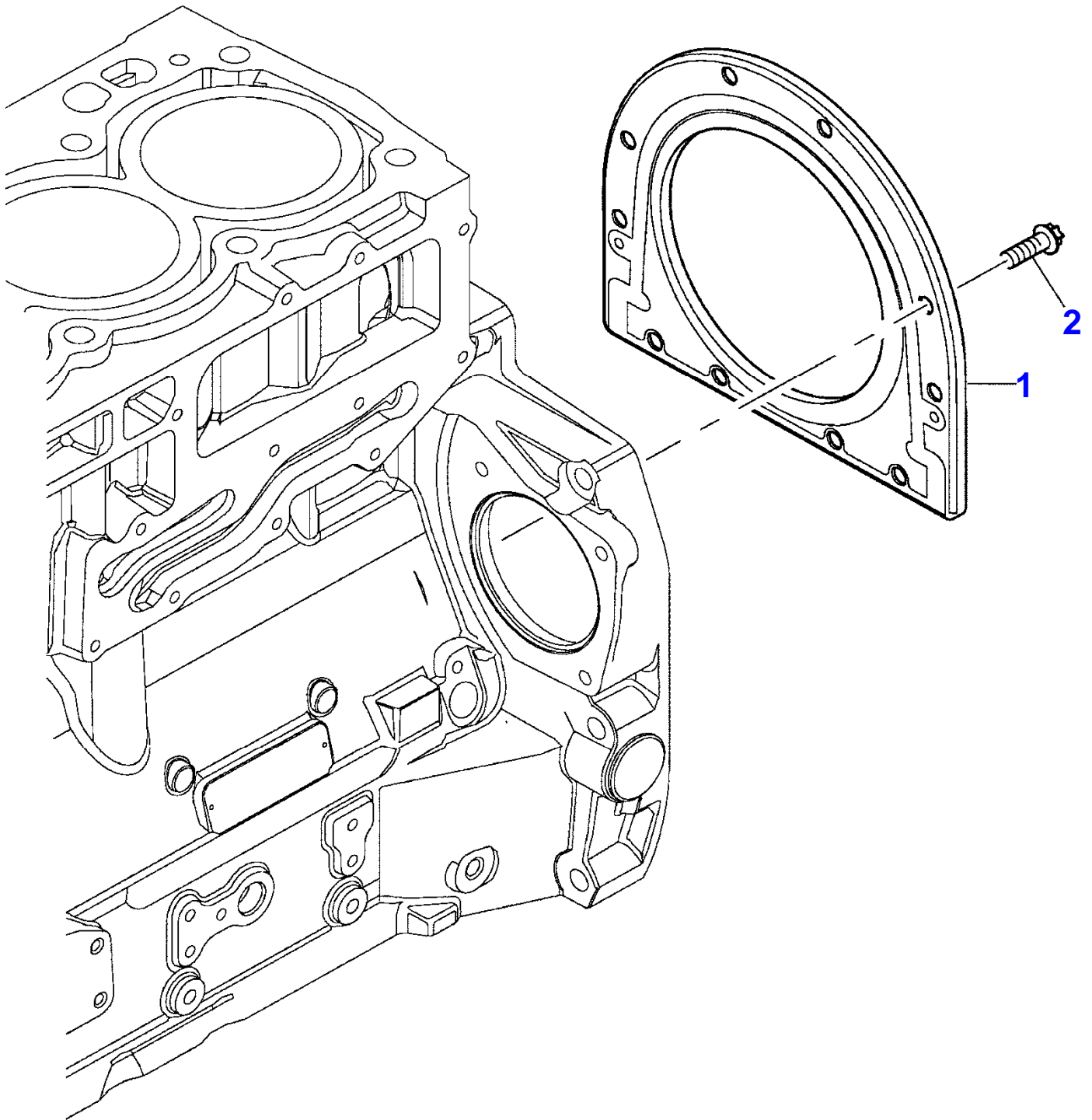
Item	Part Number	Qty	Description	Comments
1	ZZ90222	1	KIT	UP TO SERIAL OR ENGINE NUMBER U491476 T
	ZZ90237	1	SHAFT	FROM SERIAL OR ENGINE NUMBER U491477 T
2		1	SHAFT	THIS IS A COMPONENT OF AN ASSEMBLY 1 NOT SERVICED, ORDER REF.N.1
3	U5MB0018	1	KIT	THIS IS A COMPONENT OF AN ASSEMBLY 1
	U5MB0018A	1	KIT	THIS IS A COMPONENT OF AN ASSEMBLY 1 SHIM (+) 0.010"
	U5MB0018B	1	KIT	SHIM (+) 0.020"
	U5MB0018C	1	KIT	THIS IS A COMPONENT OF AN ASSEMBLY 1 THIS IS A COMPONENT OF AN ASSEMBLY 1 SHIM (+) 0.030"
4	T400002	1	KIT	THIS IS A COMPONENT OF AN ASSEMBLY 1 FROM SERIAL OR ENGINE NUMBER U491477 T
	U5ME0026	1	KIT	UP TO SERIAL OR ENGINE NUMBER U491476 T
	U5ME0026A	1	KIT	THIS IS A COMPONENT OF AN ASSEMBLY 1 UP TO SERIAL OR ENGINE NUMBER U491476 T SHIM (+) 0.25MM
	U5ME0026B	1	KIT	SHIM (+) 0.50MM
	U5ME0026C	1	KIT	UP TO SERIAL OR ENGINE NUMBER U491476 T THIS IS A COMPONENT OF AN ASSEMBLY 1 THIS IS A COMPONENT OF AN ASSEMBLY 1 UP TO SERIAL OR ENGINE NUMBER U491476 T SHIM (+) 0.75MM
5	31137312	2	RING	SHIM (+) 0.007"
	31137551	2	WASHER	THIS IS A COMPONENT OF AN ASSEMBLY 1
6	31137322	2	SEAL	THIS IS A COMPONENT OF AN ASSEMBLY 1 SHIM (+) 0.007"
	31137561	2	WASHER	THIS IS A COMPONENT OF AN ASSEMBLY 1
7	0500012	1	KEY	THIS IS A COMPONENT OF AN ASSEMBLY 1
8	3117C221	1	GEAR	



## PISTONS AND CONNECTING RODS

Item	Part Number	Qty	Description	Comments
1	U5PR0063	4	KIT	
2		1	PISTON	THIS IS A COMPONENT OF AN ASSEMBLY 1 NOT SERVICED, ORDER REF.N.1
3		1	PIN	NOT SERVICED, ORDER REF.N.1 THIS IS A COMPONENT OF AN ASSEMBLY 1
4	2721332	2	RING	THIS IS A COMPONENT OF AN ASSEMBLY 1
5	UPRK0003	1	SEGMENT	THIS IS A COMPONENT OF AN ASSEMBLY 1
6	4115C311	4	KIT	[A] UP TO SERIAL OR ENGINE NUMBER U491477 T
	4115C312	4	KIT	[B] UP TO SERIAL OR ENGINE NUMBER U491477 T
	4115C313	4	KIT	[C] UP TO SERIAL OR ENGINE NUMBER U491477 T
	4115C314	4	KIT	[D] UP TO SERIAL OR ENGINE NUMBER U491477 T
	4115C315	4	KIT	[E] UP TO SERIAL OR ENGINE NUMBER U491477 T
	4115C316	4	KIT	[F] UP TO SERIAL OR ENGINE NUMBER U491477 T
	4115C361	4	CONROD	[A] FROM SERIAL OR ENGINE NUMBER U491478 T
	4115C362	4	CONROD	[B] FROM SERIAL OR ENGINE NUMBER U491478 T
	4115C363	4	CONROD	[C] FROM SERIAL OR ENGINE NUMBER U491478 T
	4115C364	4	CONROD	[D] FROM SERIAL OR ENGINE NUMBER U491478 T
	4115C365	4	CONROD	[E] FROM SERIAL OR ENGINE NUMBER U491478 T
	4115C366	4	CONROD	[F] FROM SERIAL OR ENGINE NUMBER U491478 T
7		1	CONROD	THIS IS A COMPONENT OF AN ASSEMBLY 6 NOT SERVICED, ORDER REF.N.6
8	3112A005	1	BUSH	THIS IS A COMPONENT OF AN ASSEMBLY 6
9	3212V003	2	SCREW	THIS IS A COMPONENT OF AN ASSEMBLY 6
10		1	GUARD	THIS IS A COMPONENT OF AN ASSEMBLY 6 NOT SERVICED, ORDER REF.N.6

FOOTNOTE [A] RED  
 FOOTNOTE [B] ORANGE  
 FOOTNOTE [C] WHITE  
 FOOTNOTE [D] GREEN  
 FOOTNOTE [E] PURPLE  
 FOOTNOTE [F] BLUE



Item	Part Number	Qty	Description
1	2418F704	1	GASKET
2	3211C002	10	SCREW

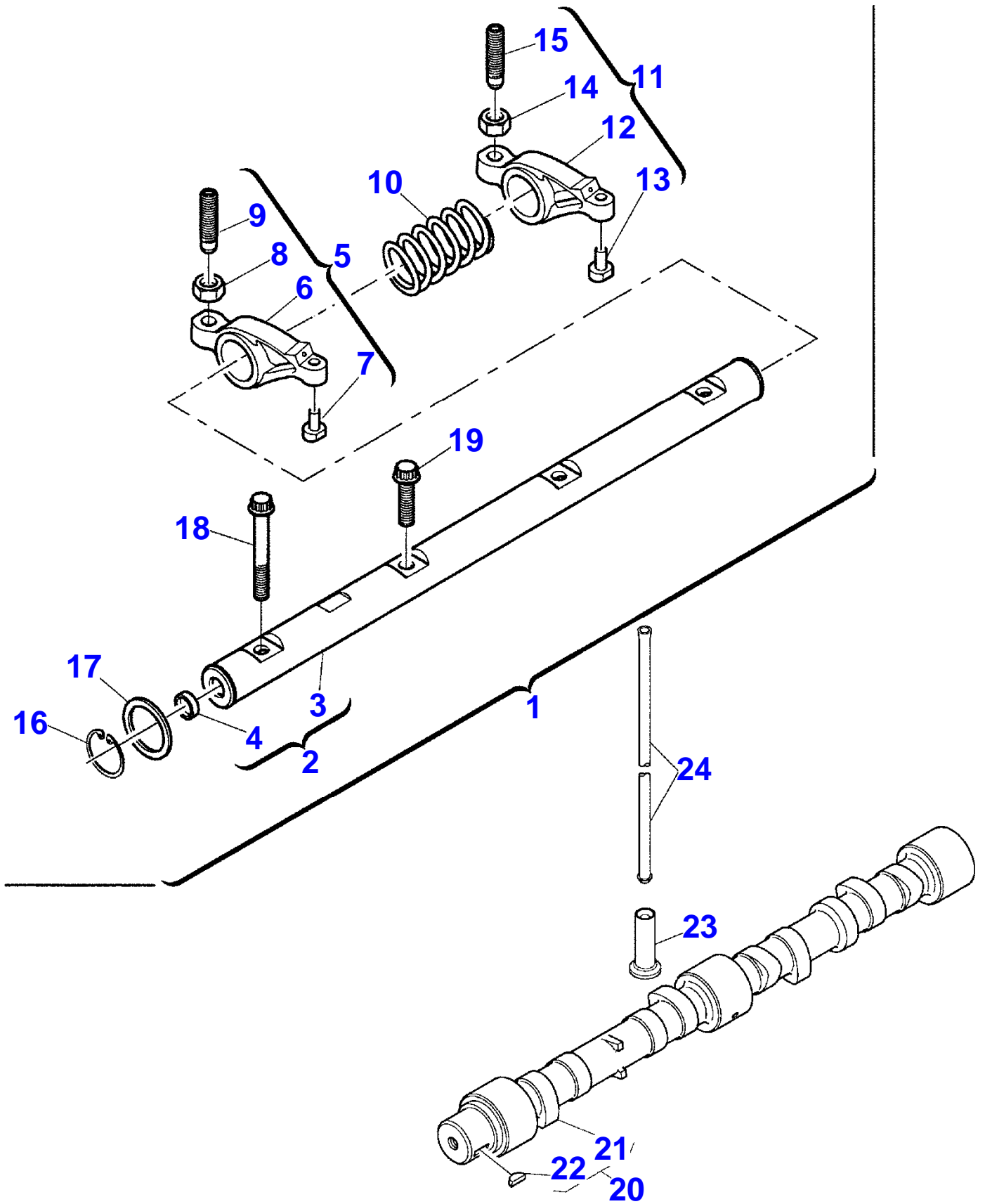


## CYLINDER HEAD

Item	Part Number	Qty	Description	Comments
1	ZZ80279	1	CYLINDER HEAD	
2		1	KIT	NOT SERVICED, ORDER REF.N.1
3	3313A012	4	INSERT	THIS IS A COMPONENT OF AN ASSEMBLY 1
4	3313A012	4	INSERT	THIS IS A COMPONENT OF AN ASSEMBLY 1
5	3314A221	4	INSERT	THIS IS A COMPONENT OF AN ASSEMBLY 1
6	3314A231	4	INSERT	THIS IS A COMPONENT OF AN ASSEMBLY 1
7	32416117	2	PLUG	THIS IS A COMPONENT OF AN ASSEMBLY 1
8	0650588	4	PLUG	THIS IS A COMPONENT OF AN ASSEMBLY 1
9	3142H101	4	VALVE	THIS IS A COMPONENT OF AN ASSEMBLY 1
10	2418M519	4	RING	[A] THIS IS A COMPONENT OF AN ASSEMBLY 1
11	3174A031	4	SPRING	THIS IS A COMPONENT OF AN ASSEMBLY 1
12	3342A021	4	COVER	THIS IS A COMPONENT OF AN ASSEMBLY 1
13	2714A002	8	COLLAR	THIS IS A COMPONENT OF AN ASSEMBLY 1
14	3142A171	4	VALVE	THIS IS A COMPONENT OF AN ASSEMBLY 1
15	2418M517	4	RING	[B] THIS IS A COMPONENT OF AN ASSEMBLY 1
16	3174A031	4	SPRING	THIS IS A COMPONENT OF AN ASSEMBLY 1
17	3342A021	4	COVER	THIS IS A COMPONENT OF AN ASSEMBLY 1
18	2714A002	8	COLLAR	THIS IS A COMPONENT OF AN ASSEMBLY 1
19	3278A006	1	PLUG	THIS IS A COMPONENT OF AN ASSEMBLY 1
20	2415H003	1	RING	THIS IS A COMPONENT OF AN ASSEMBLY 1
21	2431154	2	PLUG	THIS IS A COMPONENT OF AN ASSEMBLY 1
22	3681E051	1	GASKET	
23	3218A011	7	SCREW	
24	3218A012	3	SCREW	

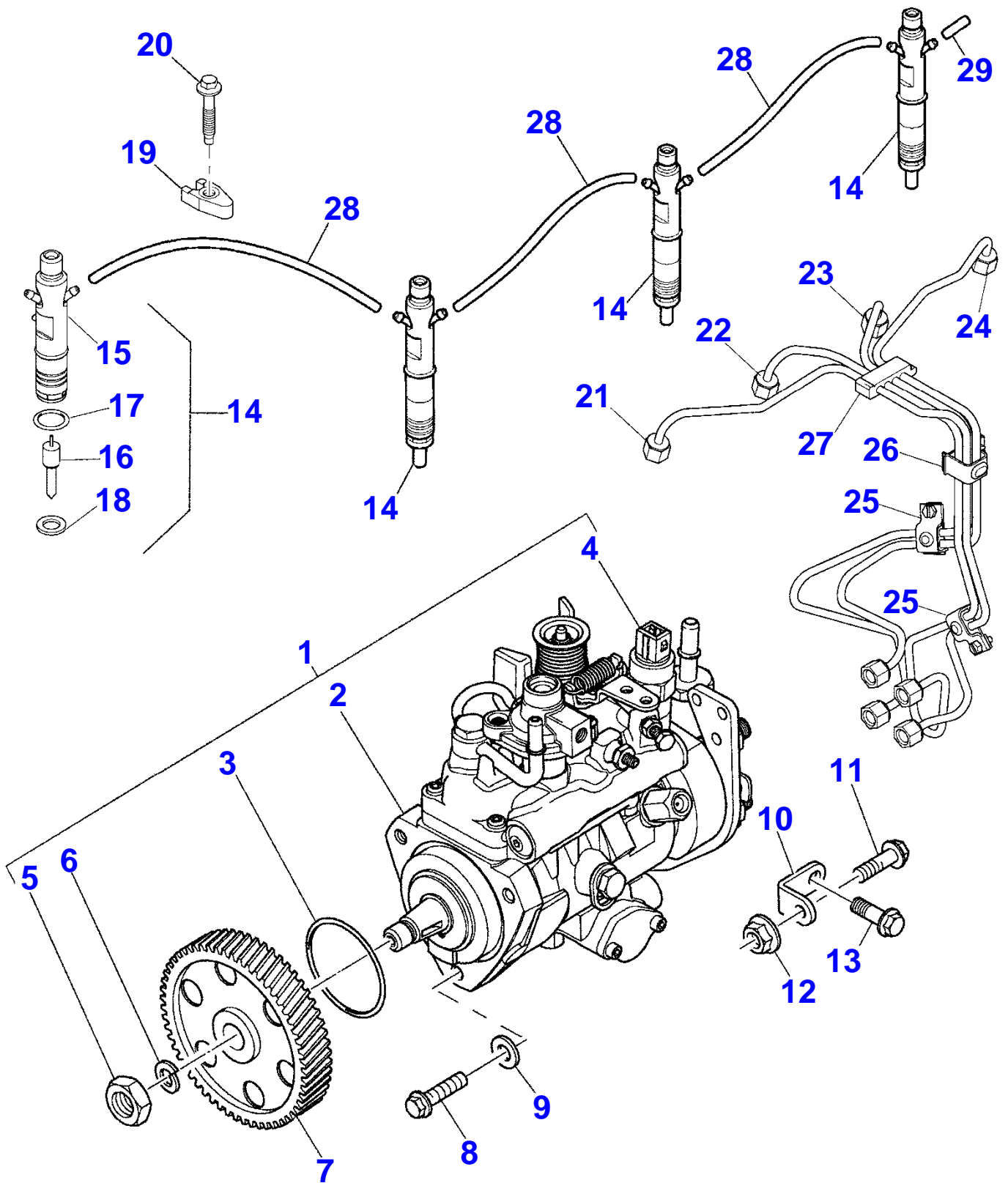
FOOTNOTE [A] GREEN

FOOTNOTE [B] BROWN



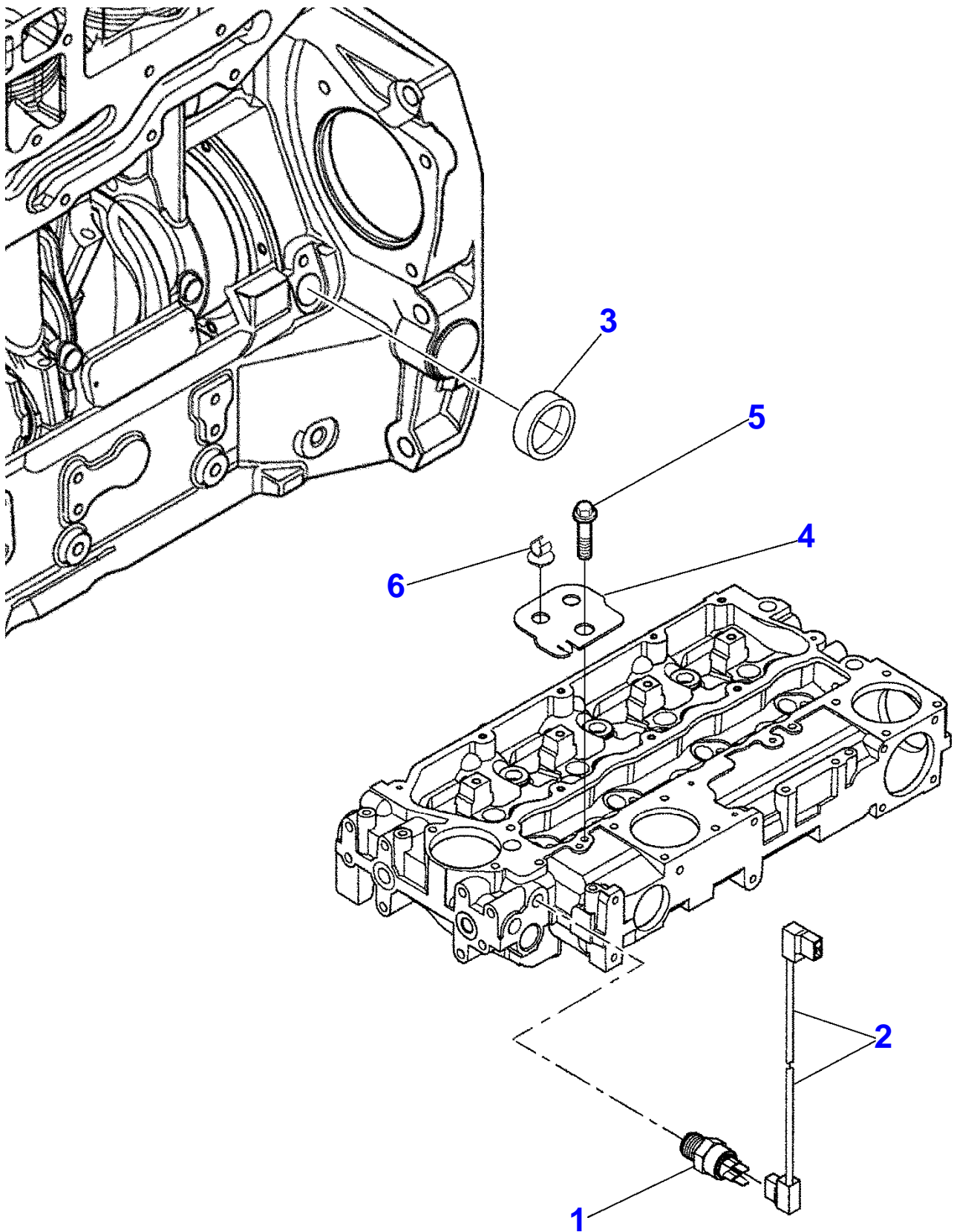
## ROCKER SHAFT

Item	Part Number	Qty	Description	Comments
1	4115R613	1	AXLE	
2	4115R703	1	SHAFT	THIS IS A COMPONENT OF AN ASSEMBLY 1
3		1	AXLE	THIS IS A COMPONENT OF AN ASSEMBLY 2 NOT SERVICED, ORDER REF.N.2
4	2485A104	2	PLUG	THIS IS A COMPONENT OF AN ASSEMBLY 2
5	4115R319	4	LEVER	THIS IS A COMPONENT OF AN ASSEMBLY 1
6		1	ROCKER	THIS IS A COMPONENT OF AN ASSEMBLY 5 NOT SERVICED, ORDER REF.N.5
7		1	PAD	NOT SERVICED, ORDER REF.N.5 THIS IS A COMPONENT OF AN ASSEMBLY 5
8	3331A006	1	NUT	THIS IS A COMPONENT OF AN ASSEMBLY 5
9	3211C004	1	SCREW	THIS IS A COMPONENT OF AN ASSEMBLY 5
10	3174A015	3	SPRING	THIS IS A COMPONENT OF AN ASSEMBLY 1
11	4115R318	4	LEVER	THIS IS A COMPONENT OF AN ASSEMBLY 1
12		1	ROCKER	THIS IS A COMPONENT OF AN ASSEMBLY 11 NOT SERVICED, ORDER REF.N.11
13		1	PAD	NOT SERVICED, ORDER REF.N.11 THIS IS A COMPONENT OF AN ASSEMBLY 11
14	3331A006	1	NUT	THIS IS A COMPONENT OF AN ASSEMBLY 11
15	3211C004	1	SCREW	THIS IS A COMPONENT OF AN ASSEMBLY 11
16	2722A022	2	RING	THIS IS A COMPONENT OF AN ASSEMBLY 1
17	2134A502	2	WASHER	THIS IS A COMPONENT OF AN ASSEMBLY 1
18	2316A901	1	SCREW	THIS IS A COMPONENT OF AN ASSEMBLY 1
19	2316A902	3	SCREW	THIS IS A COMPONENT OF AN ASSEMBLY 1
20	4112K032	1	SHAFT	
21		1	SHAFT	THIS IS A COMPONENT OF AN ASSEMBLY 20 NOT SERVICED, ORDER REF.N.20
22	0500012	1	KEY	THIS IS A COMPONENT OF AN ASSEMBLY 20
23	0500012	1	KEY	THIS IS A COMPONENT OF AN ASSEMBLY 20
	3142U061	8	TAPPET	
24	3142V011	8	ROD	



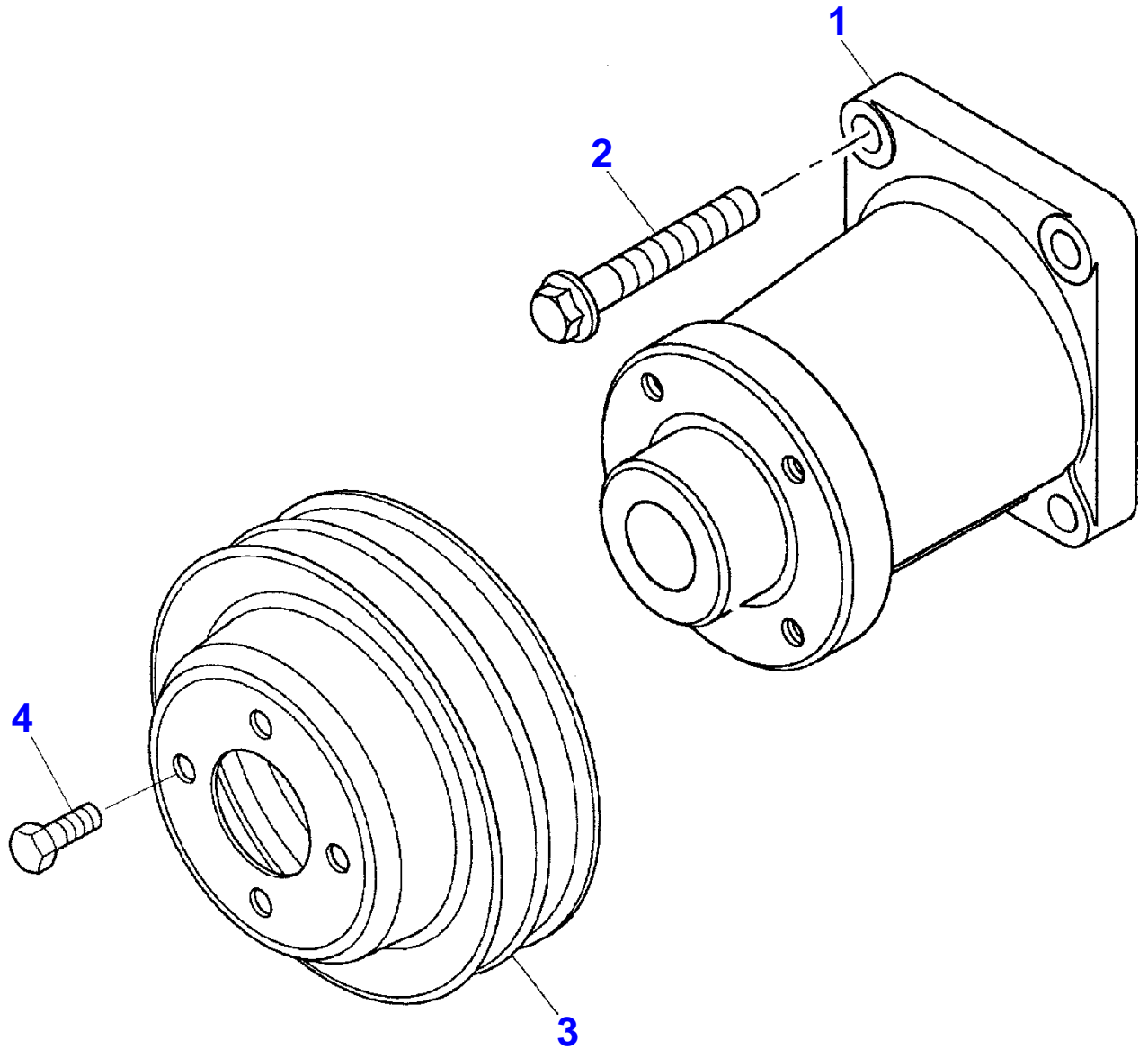
## FUEL INJECTION EQUIPMENT (DIESEL)

Item	Part Number	Qty	Description	Comments
1	2644C342/22	1	PUMP	
2		1	PUMP	THIS IS A COMPONENT OF AN ASSEMBLY 1 NOT SERVICED, ORDER REF.N.1
3	26420318	1	RING	THIS IS A COMPONENT OF AN ASSEMBLY 1
4	26420469	1	SOLENOID	THIS IS A COMPONENT OF AN ASSEMBLY 1
5	2318A108	1	NUT	THIS IS A COMPONENT OF AN ASSEMBLY 1
6	K134AF01	1	WASHER	THIS IS A COMPONENT OF AN ASSEMBLY 1
7	3117L261	1	GEAR	
8	2314H004	3	SCREW	
9	2411D008	3	WASHER	
10	3641A007	1	STIRRUP	
11	2314H003	1	SCREW	
12	2318A603	1	NUT	
13	2314J002	1	SCREW	
14	2645K025	4	NOZZLE	
15		1	SUPPORT	THIS IS A COMPONENT OF AN ASSEMBLY 14 NOT SERVICED, ORDER REF.N.14
16		1	NOZZLE	NOT SERVICED, ORDER REF.N.14 THIS IS A COMPONENT OF AN ASSEMBLY 14
17	26460064	1	RING	THIS IS A COMPONENT OF AN ASSEMBLY 14
18	L311FF02	1	WASHER	THIS IS A COMPONENT OF AN ASSEMBLY 14
19	3751A241	4	CLAMP	
20	2314W009	4	SCREW	
21	3525A101	1	PIPE	
22	3525A102	1	PIPE	
23	3525A103	1	PIPE	
24	3525A104	1	PIPE	
25	2481Y011	2	CLIP	
26	2481Y012	1	CLIP	
27	2646E019	1	CLIP	
28	2646F501	3	PIPE	
29	2646E501	1	CAP	



Item	Part Number	Qty	Description	Comments
1	2848A127	1	SENSOR	[A]
2	3161C017	1	CABLE	
3	2485A109	1	PLUG	
4	3653A017	1	STIRRUP	
5	2314H002	1	SCREW	
6	2481D456	1	CLIP	

FOOTNOTE [A] ENGINE WATER TEMPERATURE





**Suggest:**

**For more complete manuals. Please go to the home page.**

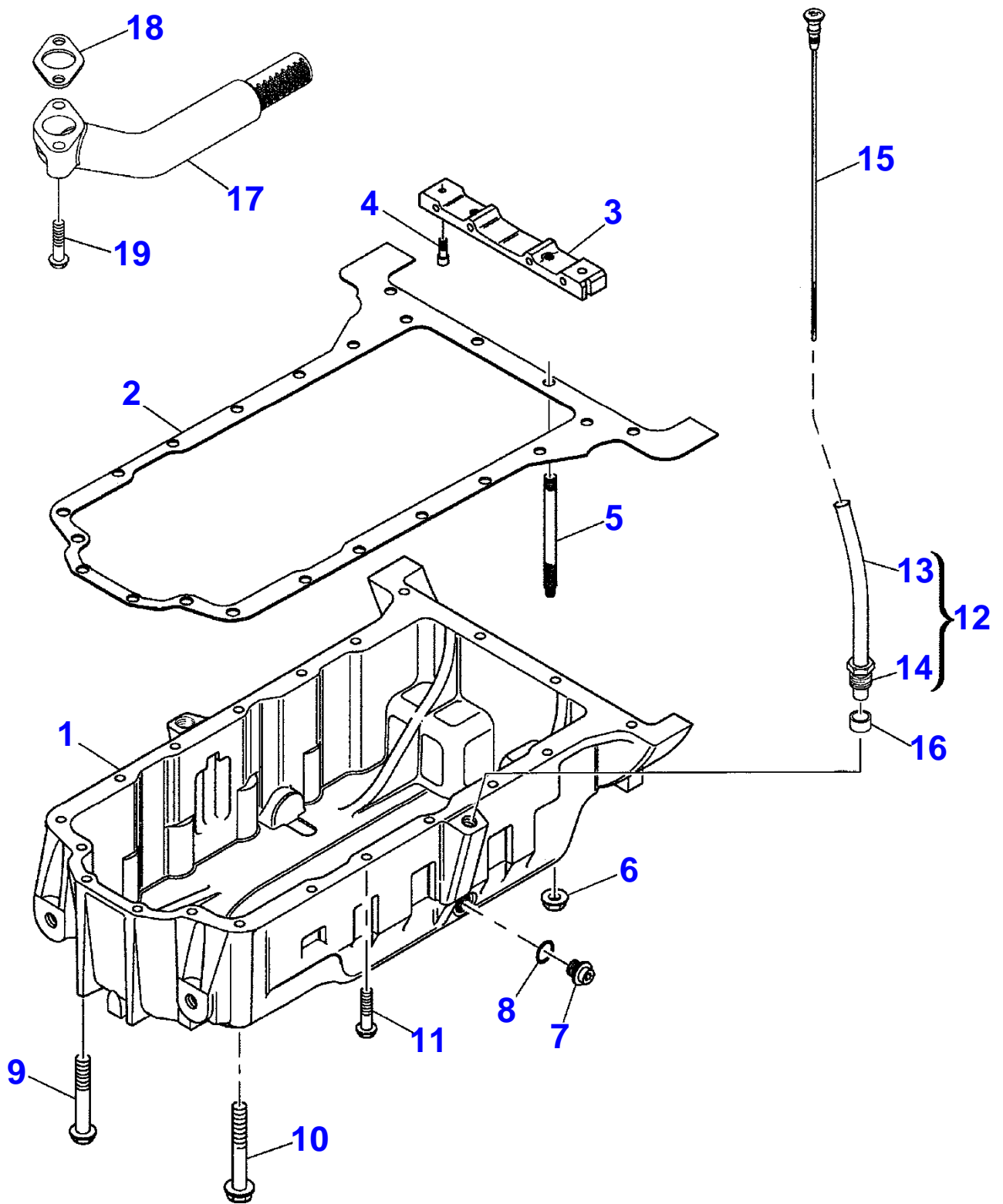
**<https://www.ebooklibonline.com>**

**If the above button click is invalid. Please download this document first, and then click the above link to download the complete manual.**

**Thank you so much for reading**

FAN-TYPE PULLEY

Item	Part Number	Qty	Description
1	4113K005	1	HOUSING
2	2314J005	4	SCREW
3	3115C161	1	PULLEY
4	2314C044	4	SCREW



**<https://www.ebooklibonline.com>**

Hello dear friend!

Thank you very much for reading.

Enter the link into your browser.

The full manual is available for immediate download.

**<https://www.ebooklibonline.com>**