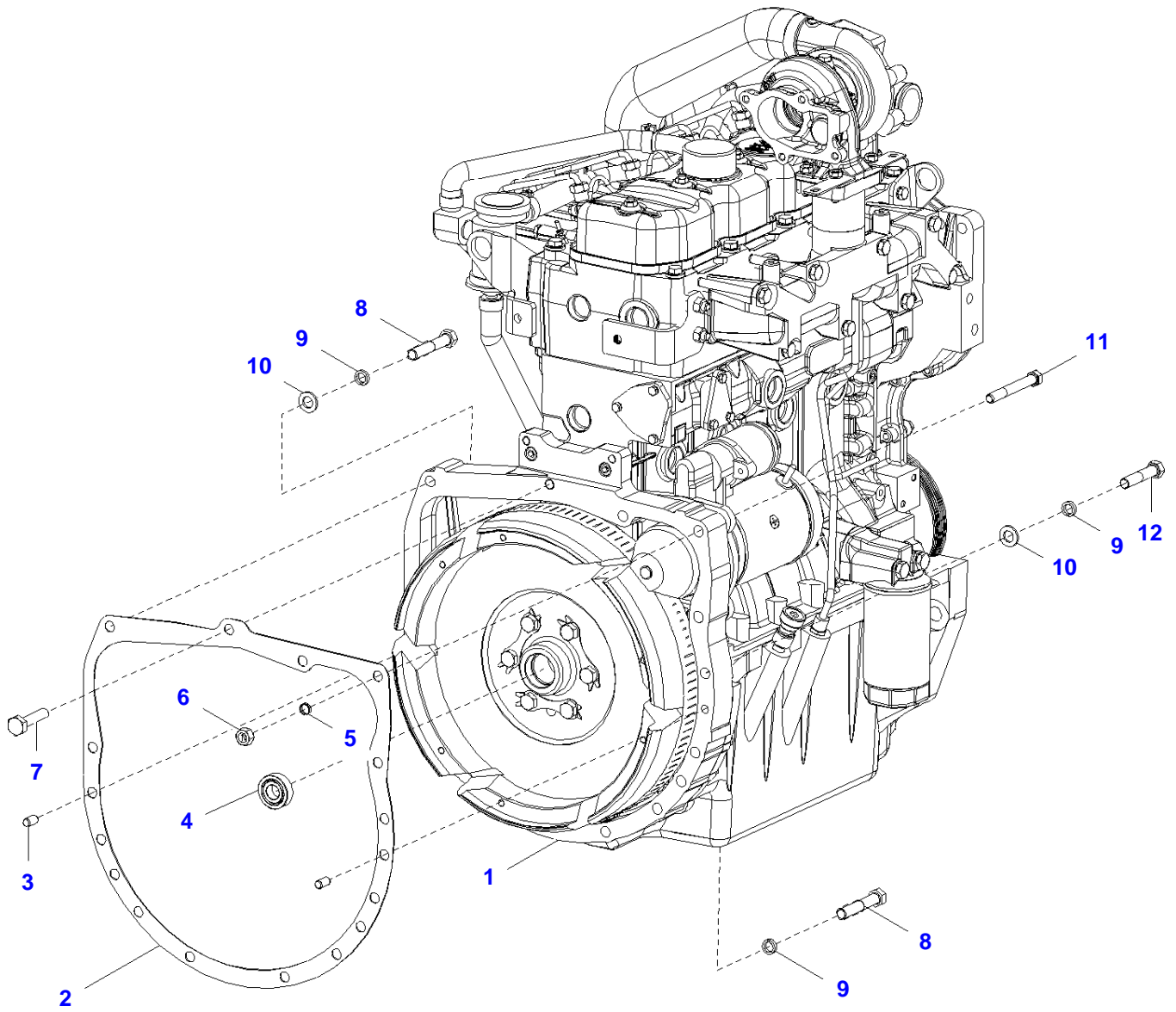


Page Number	Page Title	Page Reference
01-000-TOC	ENGINE, FUEL AND EXHAUST SYSTEM	01-000-TOC
02-000-TOC	AXLES	02-000-TOC
03-000-TOC	STEERING SYSTEM	03-000-TOC
04-000-TOC	DRIVE TRAIN SYSTEM	04-000-TOC
05-000-TOC	BRAKE SYSTEM	05-000-TOC
06-000-TOC	ELECTRICAL SYSTEM	06-000-TOC
07-000-TOC	PLATFORM	07-000-TOC
08-000-TOC	CHASSIS	08-000-TOC
09-000-TOC	DECALS	09-000-TOC
10-000-TOC	WHEELS	10-000-TOC
11-000-TOC	IMPLEMENT DRIVE SYSTEM	11-000-TOC
12-000-TOC	IMPLEMENT LIFT SYSTEM REAR	12-000-TOC
13-000-TOC	LINKAGE	13-000-TOC
14-000-TOC	ACCESSORIES	14-000-TOC
15-000-TOC	GENERAL INFORMATION	15-000-TOC

Page Number	Page Title	Page Reference
01-0001	ENGINE	1991186
01-0002	ENGINE - CYLINDER BLOCK ASSEMBLY	1990679
01-0003	ENGINE - CYLINDER HEAD ASSEMBLY	1990697
01-0004	ENGINE - CYLINDER HEAD COVER	1990766
01-0005	ENGINE - CRANKSHAFT ROD AND PISTON ASSEMBLY	1990659
01-0006	ENGINE - INTAKE VALVE, EXHAUST VALVE & CAMSHAFT	1991133
01-0007	ENGINE - TIMING GEAR CASE	1991145
01-0008	ENGINE - TIMING COVER ASSEMBLY	1991134
01-0009	ENGINE - FLYWHEEL	1991106
01-0010	ENGINE - INTAKE & EXHAUST MANIFOLD	1990649
01-0011	ENGINE - BREATHER	1990650
01-0012	ENGINE - TURBOCHARGER	1991164
01-0013	ENGINE - WATER PUMP ASSEMBLY	1991160
01-0014	ENGINE - FUEL INJECTION PUMP ASSEMBLY	1991107
01-0016	ENGINE - FUEL FILTER	2374959
01-0017	ENGINE - OIL PUMP	1991112
01-0018	ENGINE - OIL SUMP	1991128
01-0019	ENGINE - OIL FILTER	1991110
01-0020	ENGINE - OIL FILLER	1991157
01-0021	AIR FILTER	1991396
01-0022	COOLING SYSTEM	2166506
01-0023	COOLING SYSTEM	2166507
01-0024	COOLING SYSTEM - FAN	2167456
01-0026	FUEL SYSTEM - TANK & ATTACHMENTS	2374960
01-0028	FUEL SYSTEM - PIPES	2374961
01-0029	FUEL SYSTEM - PIPES	1991443
01-0030	EXHAUST - HORIZONTAL	1991509
01-0031	ENGINE - GASKET SETS	1991109

0-0011-004-A



<https://www.ebooklibonline.com>

Hello dear friend!

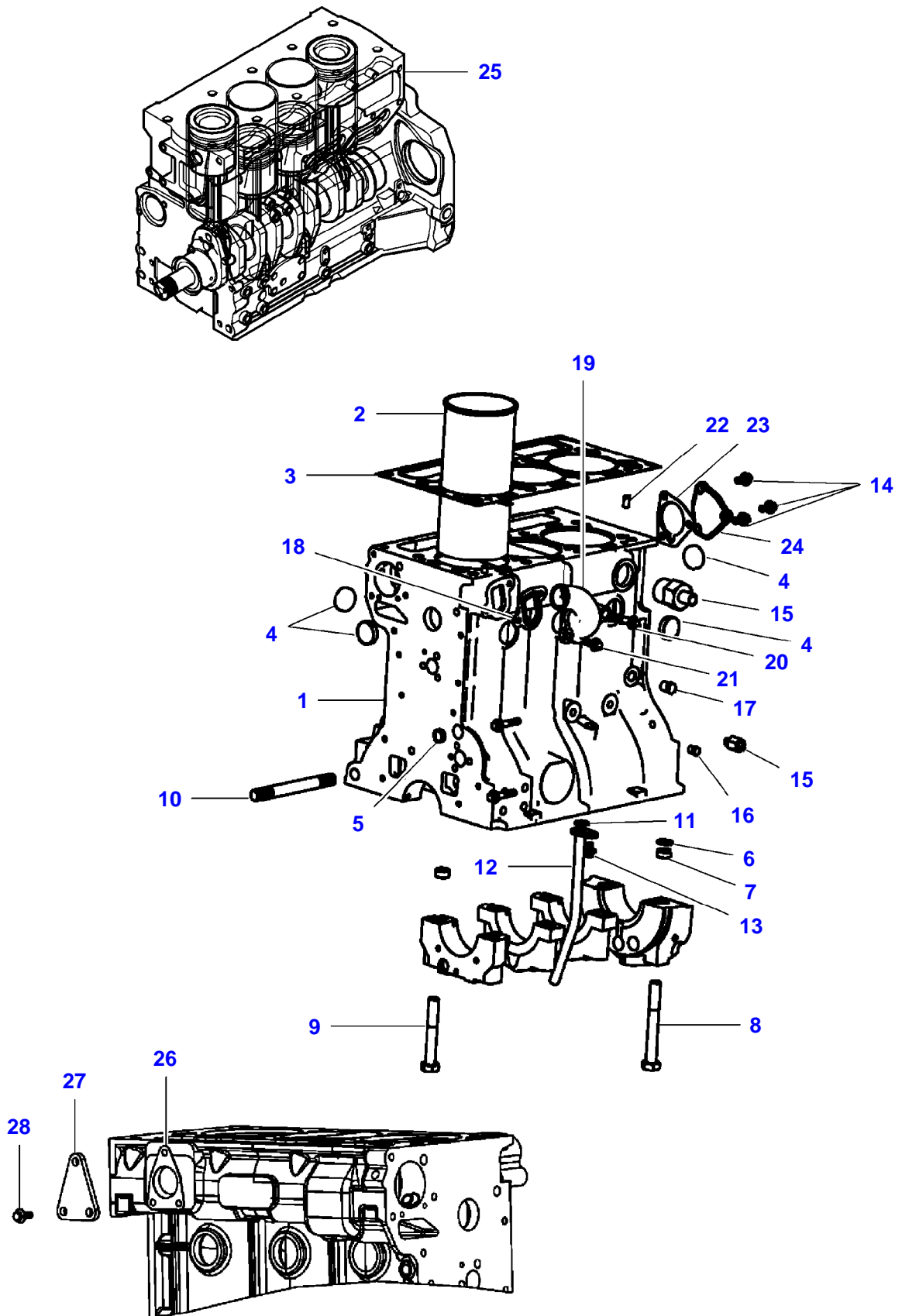
Thank you very much for reading.

Enter the link into your browser.

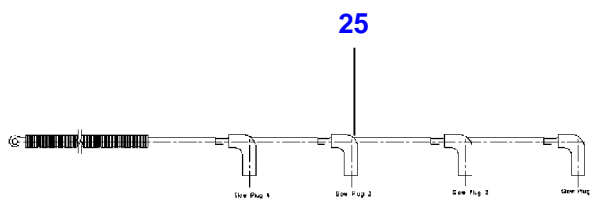
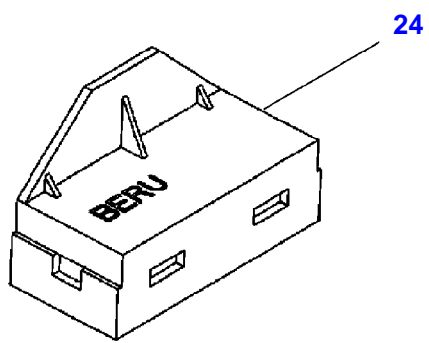
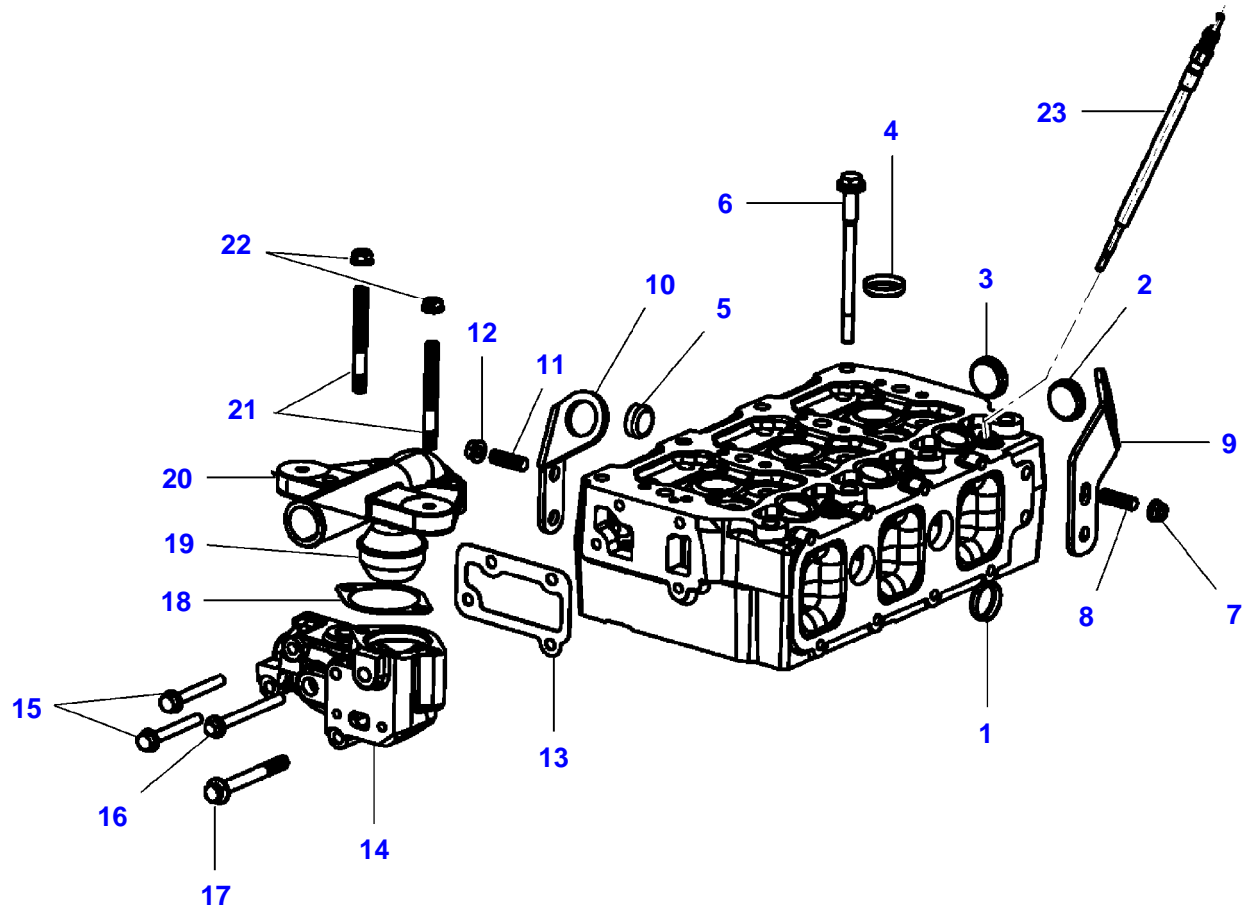
The full manual is available for immediate download.

<https://www.ebooklibonline.com>

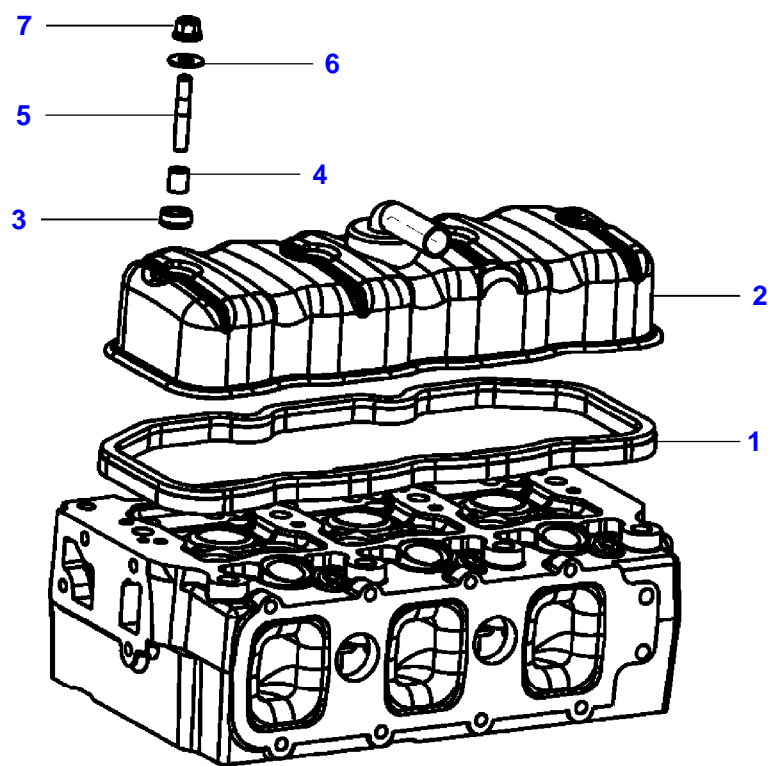
Item	Part Number	Qty	Description Comments	Technical Specification
1	2318P02101	1	ENGINE	TSJ327E 58HP-7123
2	716946M2	1	JOINT	
3	825302M1	2	DOWEL	? ,50 X 19 MM
4	4256612M1	1	BEARING	
5	353432X1	1	LOCK WASHER	7/16"
6	353426X1	1	NUT	7/16"-20 SAE 5 ZN
7	3019851X1	1	HEXAGONAL HEAD BOLT	M12 X 45 ISO 10.9 PH
8	3019855X1	11	HEXAGONAL HEAD BOLT	M12 X 70 ISO 10.9 PH
9	339369X1	12	LOCKWASHER	M12 ZN
10	390735X1	2	FLAT WASHER	M12 ZN
11	353579X1	1	HEX CAP SCREW	7/16"-20 X 3-1/2 SAE 5 ZN
12	391929X1	2	HEXAGONAL HEAD BOLT	M12 X 60 ISO 10.9 ZN



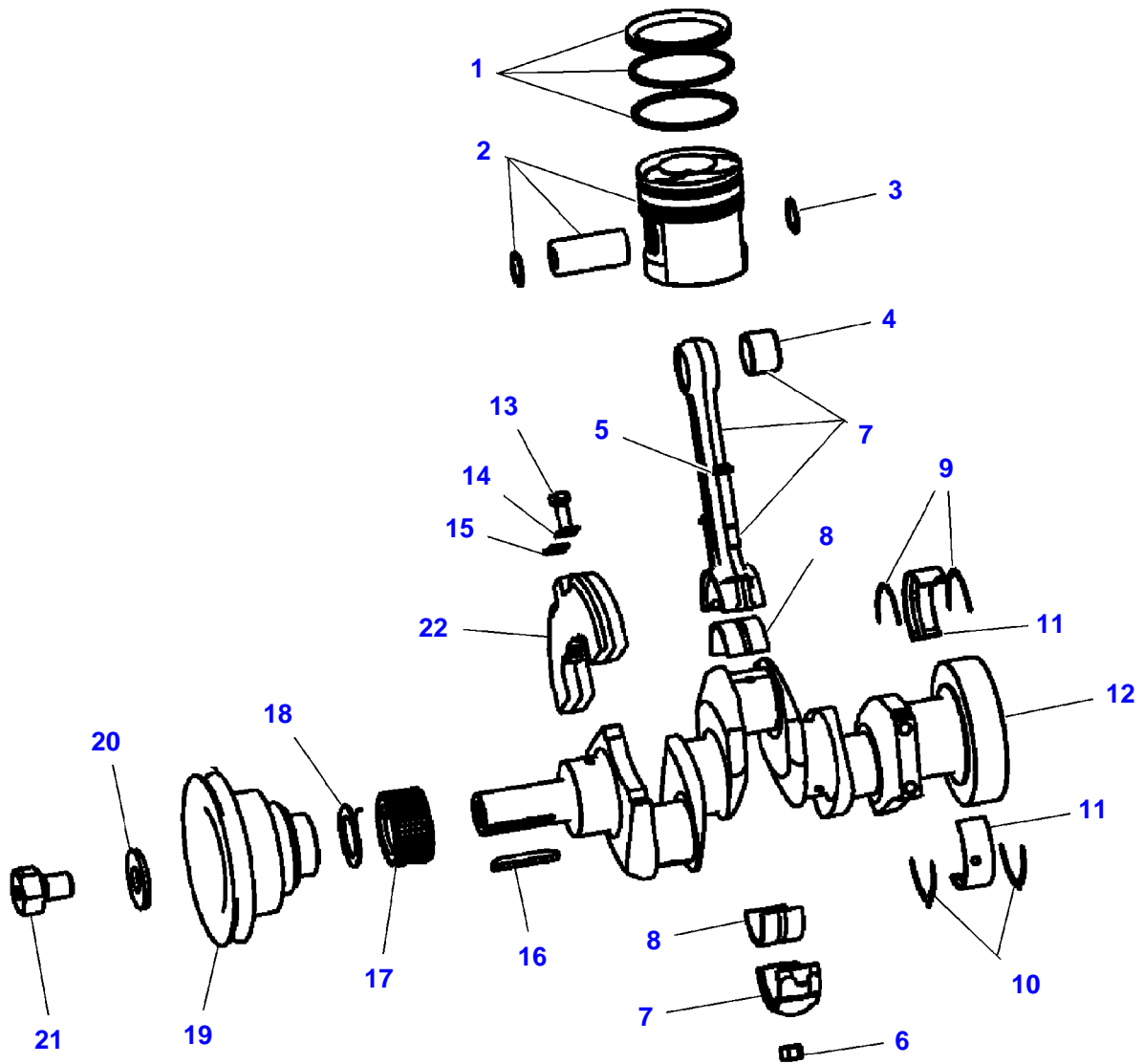
Item	Part Number	Qty	Description Comments	Technical Specification
1	3905282M91	1	CYLINDER-BLOCK	
2	3905776M1	3	LINER	
3	3906992M1	1	CYLINDER HEAD GASKET	
4	731354M1	5	PLUG	
5	733067M1	1	PLUG	
6	1447053M1	2	O RING	
7	3604536M1	8	THIMBLE	
8	3604537M1	2	HEX CAP SCREW	
9	3604538M1	6	HEX CAP SCREW	
10	3905853M1	1	STUD BOLT	
11	3904991M1	1	O RING	
12	3905264M1	1	PIPE	
13	ACP0220530	1	BOLT	
14	ACP0224570	3	BOLT	M8 X 16 -10.9
15	3905779M1	1	PLUG	
16	3904982M1	1	PLUG	
17	376670X1	1	PLUG	
18	3908969M1	1	GASKET	
19	3906583M1	1	CONNECTION	
20	3908884M1	1	HEXAGON FLANGE BOLT	M8 X 1.25 X 40 X 22 ISO 10.9
21	ACP0224580	1	BOLT	M8 X 20 (1.25) CL10.9
22	4222552M1	1	DOWEL	
23	3908965M1	1	GASKET	
24	3604677M1	1	COVER	
25	3906942M91	1	SHORT ENGINE	
26	ACP0240670	1	JOINT	
27	3906915M1	1	PLATE	
28	ACP0224600	3	BOLT	



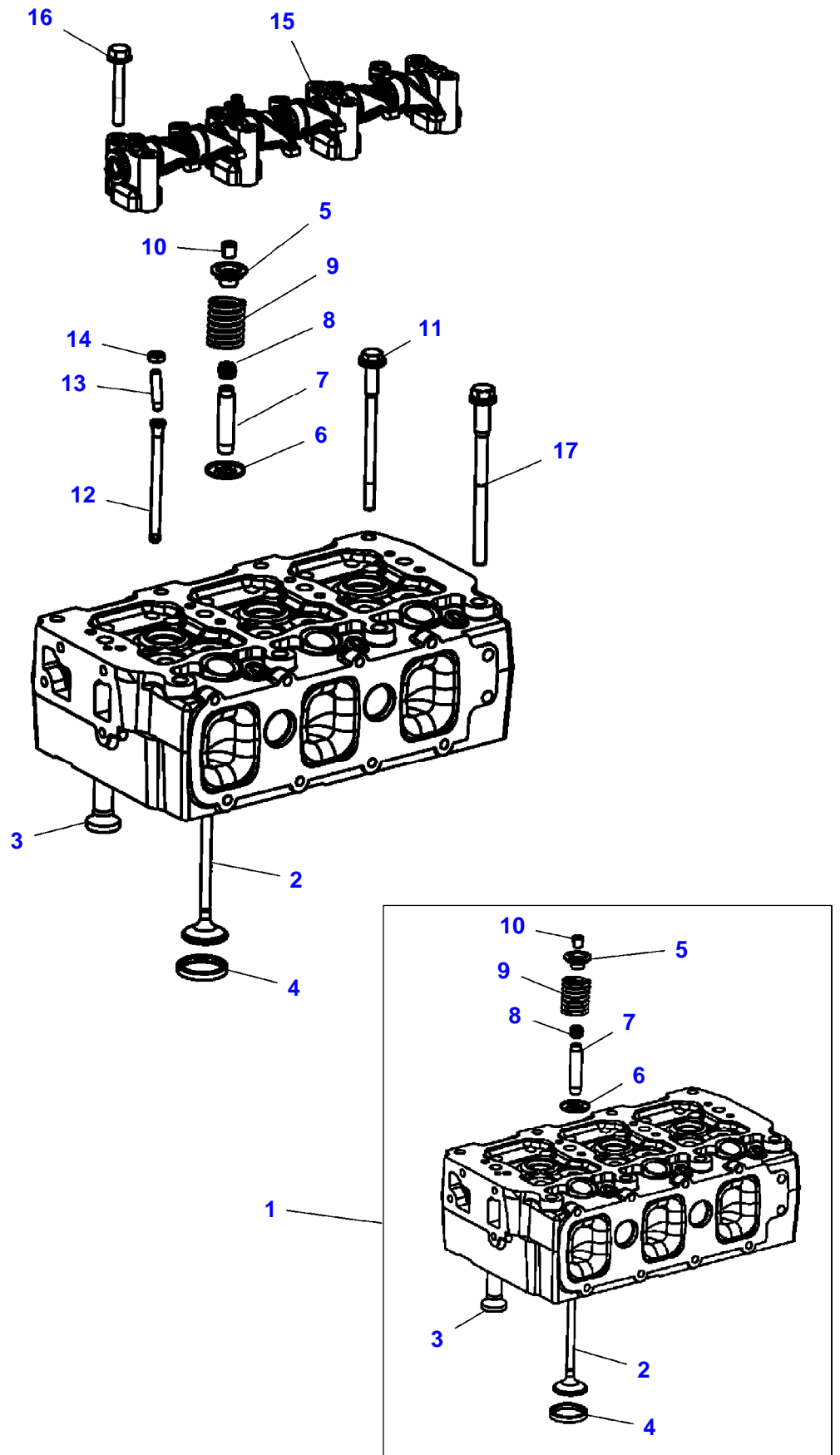
Item	Part Number	Qty	Description Comments	Technical Specification
1	731354M1	2	PLUG	
2	731354M1	1	PLUG	
3	731354M1	1	PLUG	
4	731354M1	3	PLUG	
5	731856M1	2	PLUG	
6	3904995M1	8	HEX CAP SCREW	
7	ACP0224550	2	NUT	M10 X 10 (1.25)
8	3604724M1	2	STUD BOLT	
9	3604678M1	1	PLATE	
10	3906917M1	1	PLATE	
11	3604724M1	2	STUD BOLT	
12	ACP0224550	2	NUT	M10 X 10 (1.25)
13	3908970M1	1	GASKET	
14	ACP0240640	1	BODY	
15	ACP0224630	2	BOLT	M8 X 65
16	ACP0224620	1	BOLT	M8 X 90
17	3908885M1	1	HEXAGON FLANGE BOLT	M8 X 1.25 X 80 X 22 跳SO 10.9
18	3908773M1	1	JOINT	
19	3906514M1	1	THERMOSTAT	
20	3905510M1	1	CONNECTION	
21	3905511M1	1	STUD BOLT	
22	ACP0240650	2	NUT	M10 X 1.25
23	3906517M1	3	GLOW PLUG	
24	3906693M1	1	RELAY	
25	3908630M1	1	HARNESS	



Item	Part Number	Qty	Description Comments
1	3906591M1	1	COVER GASKET
2	ACP0240610	1	CYLINDER HEAD COVER.
3	3904998M1	4	SLEEVE
4	3906540M1	4	RUBBER SEAL
5	3905249M1	4	STUD BOLT
6	3905461M1	4	SEALING WASHER
7	3906754M1	4	NUT

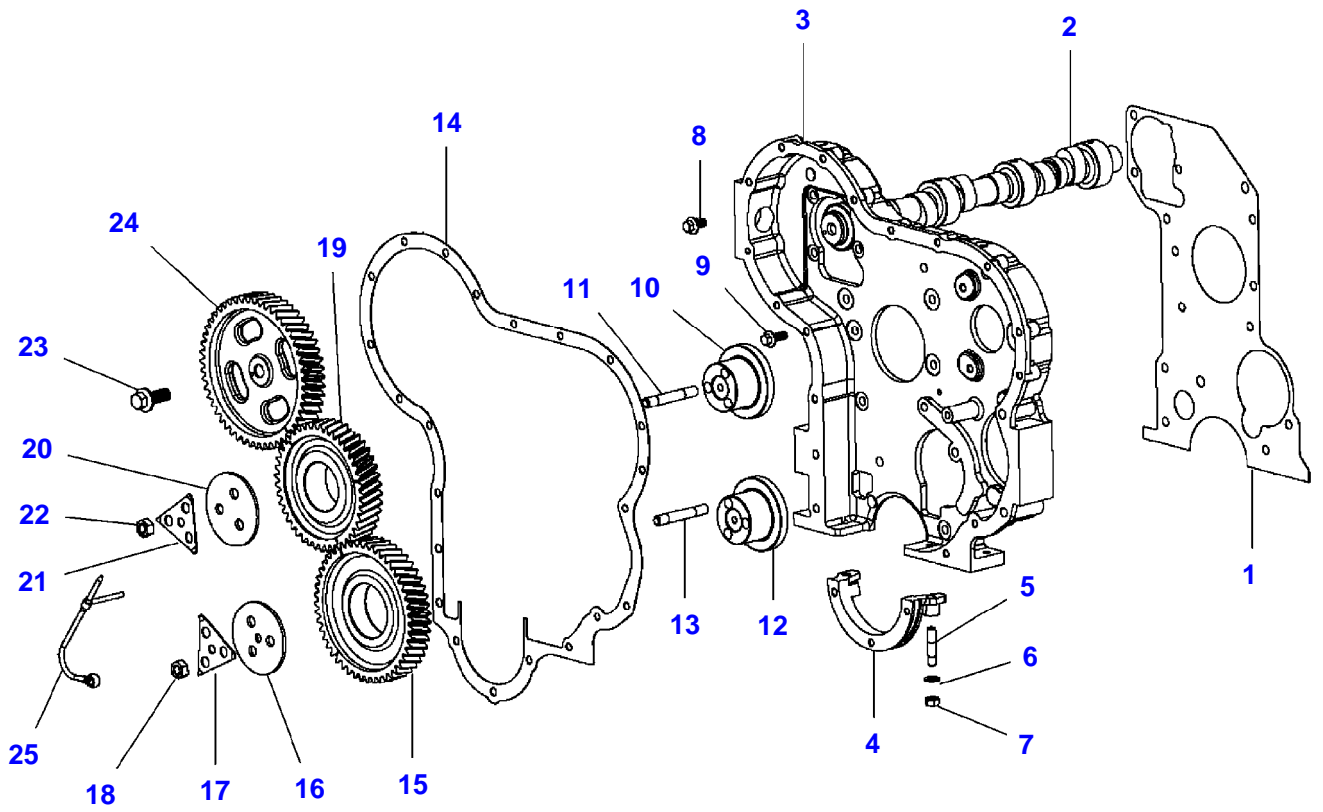


Item	Part Number	Qty	Description Comments	Technical Specification
1	3906594M91	3	KIT, PISTON RING	
2	3908521M91	3	PISTON	
3	375709X1	6	CIRCLIP	
4	740407M1	3	BUSH	
5	375756X1	6	HEX CAP SCREW	
6	3639947M1	6	NUT	7/16"-20
7	3604445M91	3	KIT, CONROD	
8	3604433M1	1	BEARING	
	3604434M1	1	BEARING	S = -0.25MM/-0.010"
	3604435M1	1	BEARING	S = -0.50MM/-0.020"
	3604436M1	1	BEARING	S = -0.75MM/-0.030"
9	3604437M1	2	KIT, WASHER	
10	3604438M1	2	KIT, WASHER	
11	3604429M1	1	MAIN BEARING	
	3604430M1	1	MAIN BEARING	S = -0.25MM/-0.010"
	3604431M1	1	MAIN BEARING	S = -0.50MM/-0.020"
	3604432M1	1	MAIN BEARING	S = -0.75MM/-0.030"
12	3908666M91	1	CRANKSHAFT	
13	376546X1	4	HEX CAP SCREW	
14	733644M1	2	RIGHT HAND TAB WASHER	
15	733645M1	2	LEFT HAND TAB WASHER	
16	731076M1	1	WOODRUFF KEY	
17	3905292M1	1	GEAR,CRANKSHAFT	
18	745057M1	1	WASHER	
19	3905512M1	1	CRANKSHAFT PULLEY	
20	731376M1	1	WASHER	
21	3604717M1	1	HEX CAP SCREW	
22	745483M1	2	WEIGHT	

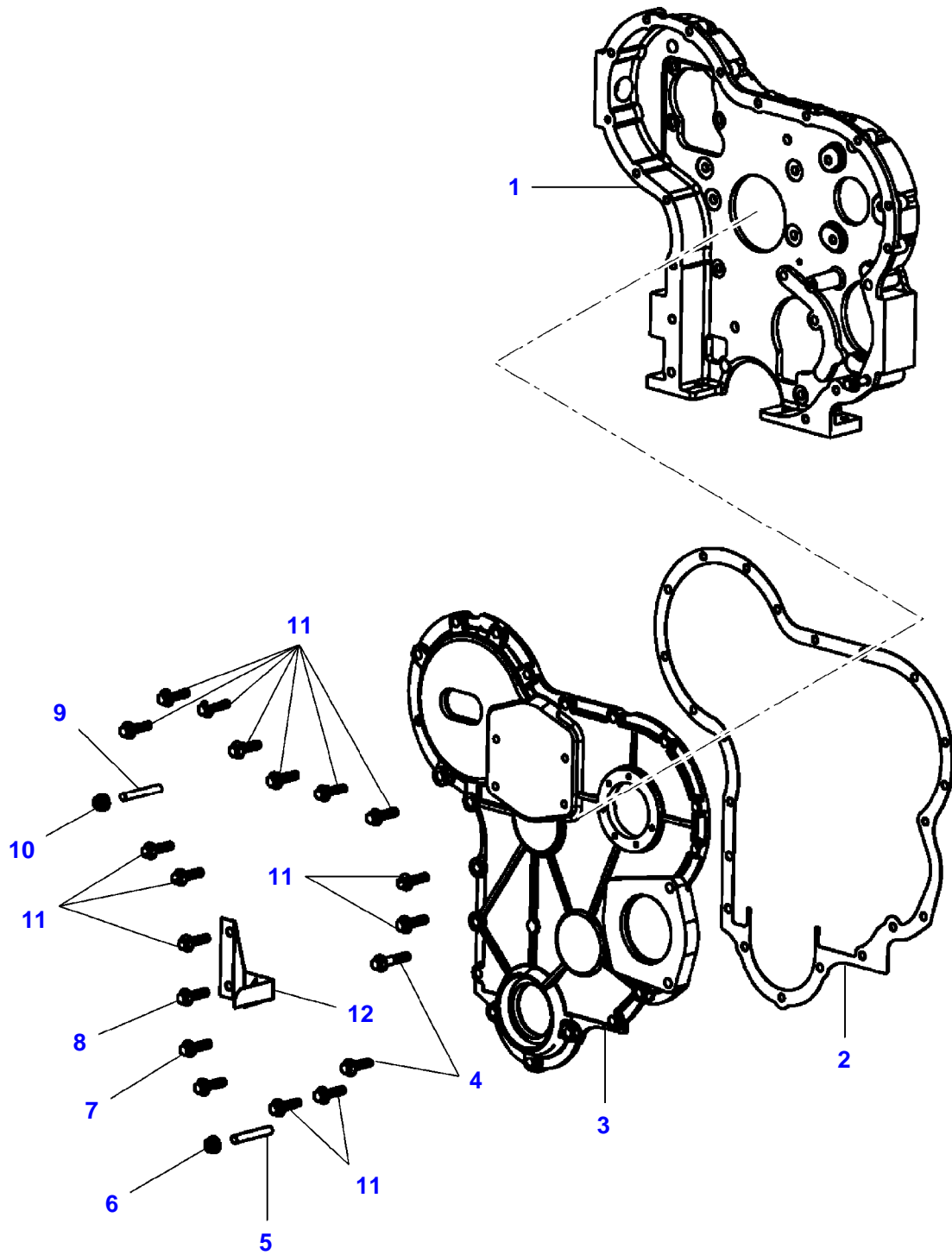


Item	Part Number	Qty	Description Comments	Technical Specification
1	ACP0240630	1	KIT, CYL. HEAD INCLUDES ITEMS 2-10	
2	3905252M1	3	INLET VALVE	
	3905253M1	3	EXHAUST VALVE	
3	3905251M1	6	TAPPET	
4	3904959M1	3	INSERT INLET VALVE	
	3904960M1	3	INSERT EXHAUST VALVE	
5	731156M1	6	CAP	
6	737645M1	6	WASHER	
7	3904958M1	6	GUIDE	
	ACP0300950	X	GUIDE	PRE-FINISHED
8	3904989M1	6	SEAL	
9	3904999M1	6	SPRING	
10	731155M1	12	COTTER	
11	3904996M1	4	HEX CAP SCREW	
12	3904986M1	6	ROD	
13	3904987M1	6	GRUB SCREW	
14	3904975M1	6	LOCKNUT	
15	3905262M91	1	ROCKER SHAFT	
16	ACP0224650	8	BOLT	M8 X 60 -10.9
17	3904995M1	8	HEX CAP SCREW	

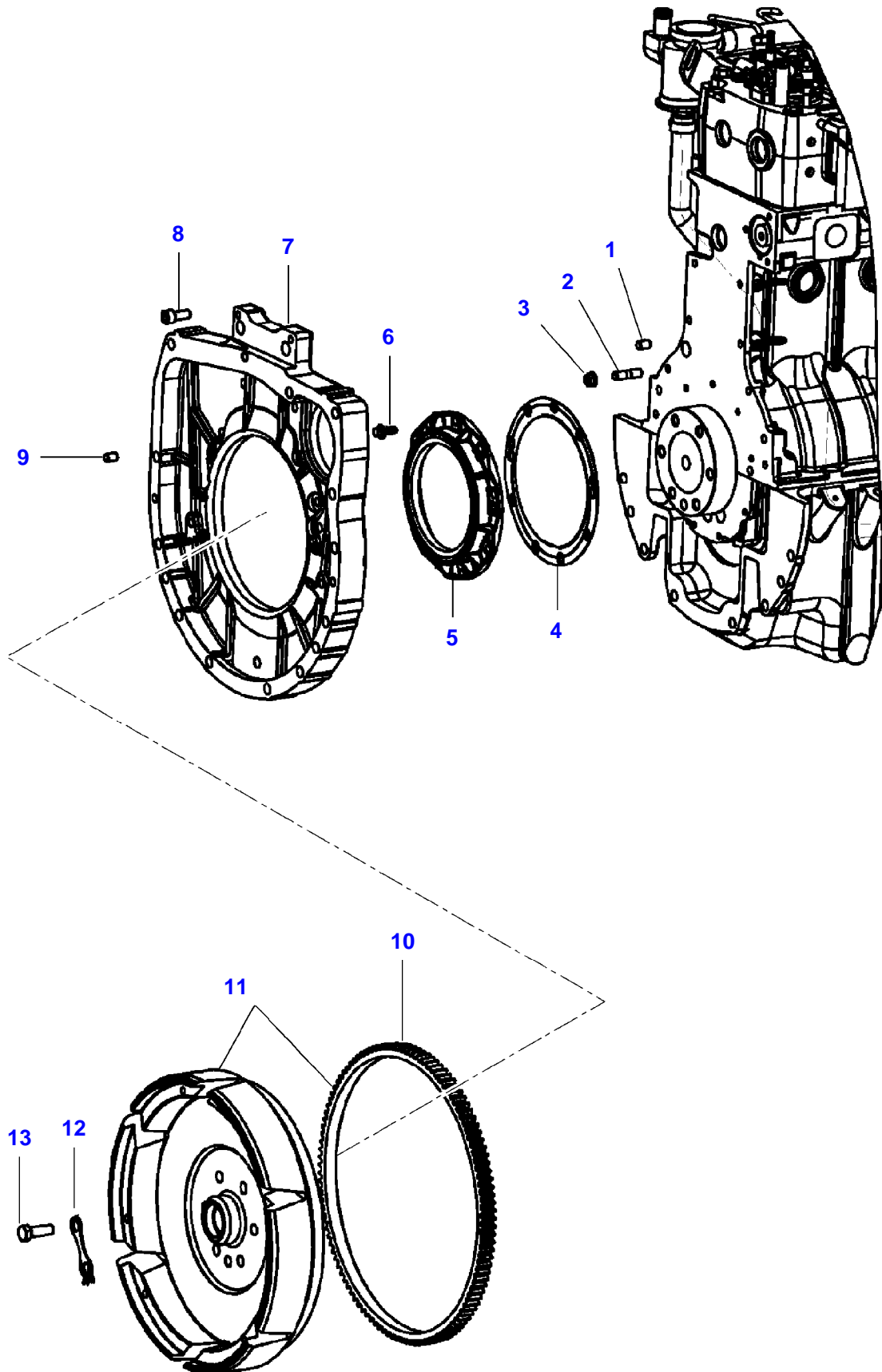
MF 2625 F TRACTOR - MADE IN INDIA FOR TURKEY
13600941-0-A



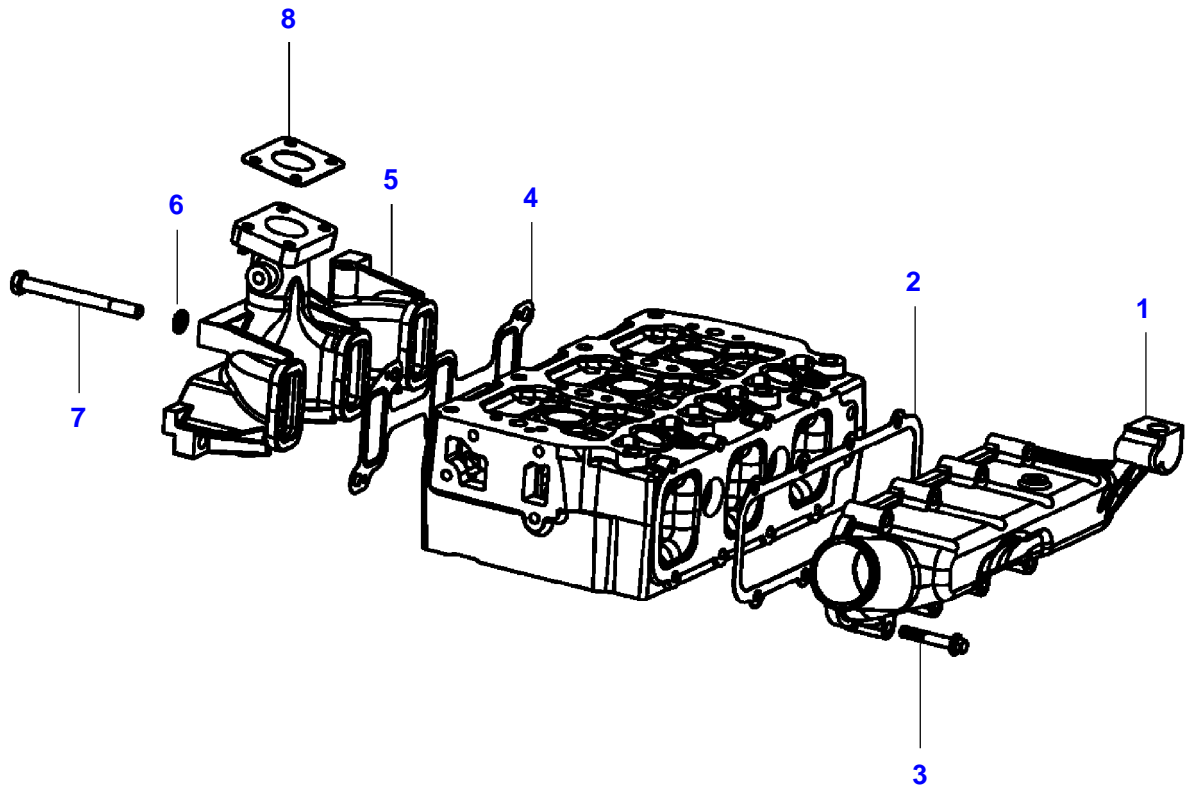
Item	Part Number	Qty	Description Comments	Technical Specification
1	3908968M1	1	GASKET	
2	3906925M1	1	CAMSHAFT	
3	3905371M1	1	TIMING CASE	
4	3604461M1	1	BRIDGE PIECE	
5	3604727M1	2	STUD BOLT	
6	1650484M1	2	LOCK WASHER	5/16"
7	3604701M1	2	NUT	
8	ACP0224570	3	BOLT	M8 X 16 -10.9
9	ACP0224580	8	BOLT	M8 X 20 (1.25) CL10.9
10	3905296M1	1	HUB	
11	3905303M1	3	STUD BOLT	
12	3905441M1	1	GEAR	
13	3905303M1	3	STUD BOLT	
14	3908967M1	1	GASKET	
15	3905439M1	1	IDLER GEAR	
16	3905308M1	1	PLATE	
17	3905306M1	1	TAB WASHER	
18	3604702M1	3	LOCKNUT	
19	3905868M1	1	IDLER GEAR	
20	3905307M1	1	PLATE	
21	3905306M1	1	TAB WASHER	
22	3604702M1	3	LOCKNUT	
23	3904935M1	1	GEAR,CAMSHAFT	
24	ACP0224610	1	BOLT	
25	3905311M91	1	PIPE	



Item	Part Number	Qty	Description Comments	Technical Specification
1	3905371M1	1	TIMING CASE	
2	3908967M1	2	GASKET	
3	3908661M91	1	TIMINGGEAR COVER	
4	3908884M1	1	HEXAGON FLANGE BOLT	M8 X 1.25 X 40 X 22 朧SO 10.9
5	3604728M1	1	STUD BOLT	
6	3908945M1	1	HEX FLANGE NUT	
7	3908886M1	1	HEXAGON FLANGE BOLT	M8 X 1.25 X 70 X 22 朧SO 10.9
8	3908885M1	1	HEXAGON FLANGE BOLT	M8 X 1.25 X 80 X 22 朧SO 10.9
9	3604728M1	1	STUD BOLT	
10	3908945M1	1	HEX FLANGE NUT	
11	3908883M1	16	HEXAGON FLANGE BOLT	M8 X 1.25 X 30 朧SO 10.9
12	3905309M1	1	POINTER	

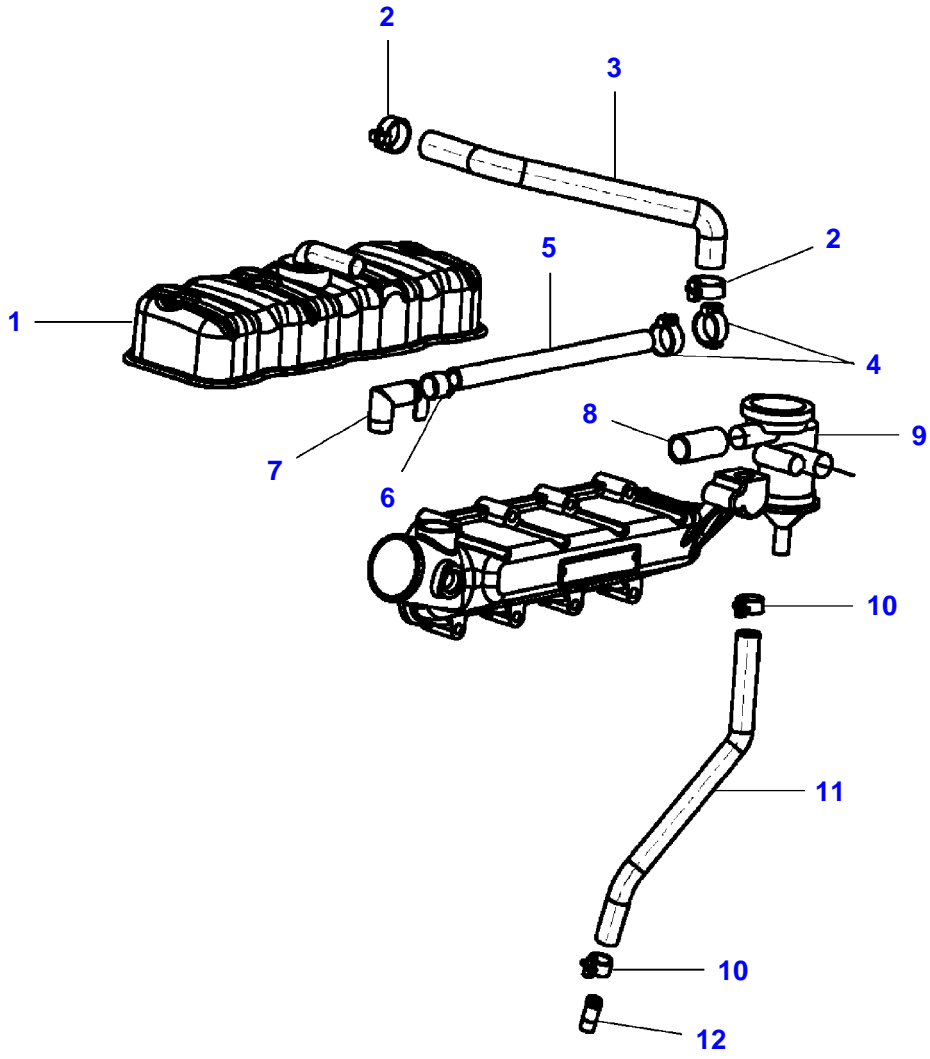


Item	Part Number	Qty	Description Comments	Technical Specification
1	731344M1	2	DOWEL	
2	3604725M1	6	STUD BOLT	
3	ACP0224550	6	NUT	M10 X 10 (1.25)
4	3908963M1	1	GASKET	
	3604480M1	1	JOINT	
5	3905763M91	1	KIT, HOUSING	
6	ACP0224580	9	BOLT	M8 X 20 (1.25) CL10.9
7	3604646M1	1	FLYWHEEL HOUSING	
8	3604652M1	2	HEX CAP SCREW	
9	3604725M1	6	STUD BOLT	
10	731008M1	1	STARTER RING	
11	3408364M91	1	FLYWHEEL ASSY.	
12	3604719M1	6	HEX CAP SCREW	M12 X 35 (1.25) ISO 10.9
13	731192M1	3	TAB WASHER	



Item	Part Number	Qty	Description Comments	Technical Specification
1	3908576M1	1	INTAKE MANIFOLD	
2	ACP0240600	1	JOINT	
3	3908944M1	8	HEXAGON FLANGE BOLT	M8 X 1.25 X 115
4	3904966M1	1	JOINT	
5	3906909M1	1	EXHAUST MANIFOLD	
6	3604675M1	6	FLAT WASHER	
7	ACP0224640	6	HEX CAP SCREW	M10
8	3906910M1	1	JOINT	

MF 2625 F TRACTOR - MADE IN INDIA FOR TURKEY
13612102-0-A





Suggest:

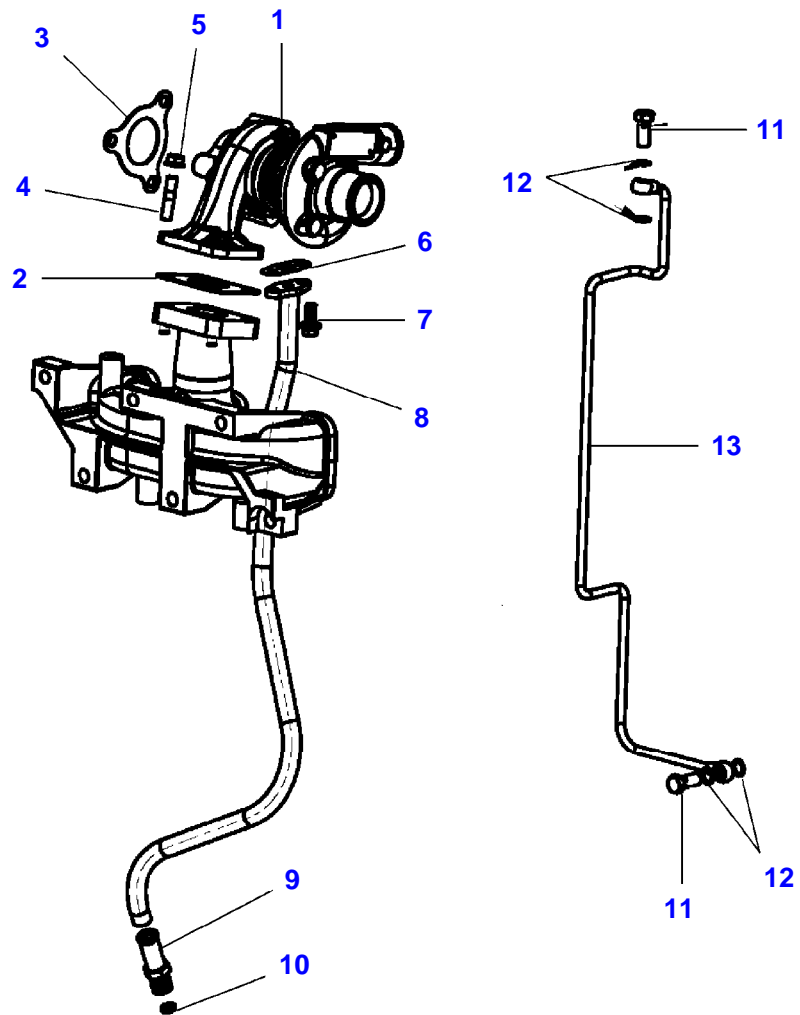
For more complete manuals. Please go to the home page.

<https://www.ebooklibonline.com>

If the above button click is invalid. Please download this document first, and then click the above link to download the complete manual.

Thank you so much for reading

Item	Part Number	Qty	Description Comments	Technical Specification
1	ACP0240610	1	CYLINDER HEAD COVER.	
2	375790X1	2	HOSE CLIP	DIAM 12-22 MM
3	3904981M1	1	HOSE	
4	3908571M1	2	HOSE CLIP	
5	3906913M1	1	HOSE INCLUDES ITEMS 6	
6	NS	1	NON-SERVICEABLE PART ORDER ITEM 5	
7	3904979M1	1	ELBOW	
8	ACP0240620	1	HOSE	
9	3905267M1	1	BREATHER	
10	375790X1	2	HOSE CLIP	DIAM 12-22 MM
11	3904978M1	1	HOSE	
12	3904976M1	1	PIPE	



<https://www.ebooklibonline.com>

Hello dear friend!

Thank you very much for reading.

Enter the link into your browser.

The full manual is available for immediate download.

<https://www.ebooklibonline.com>