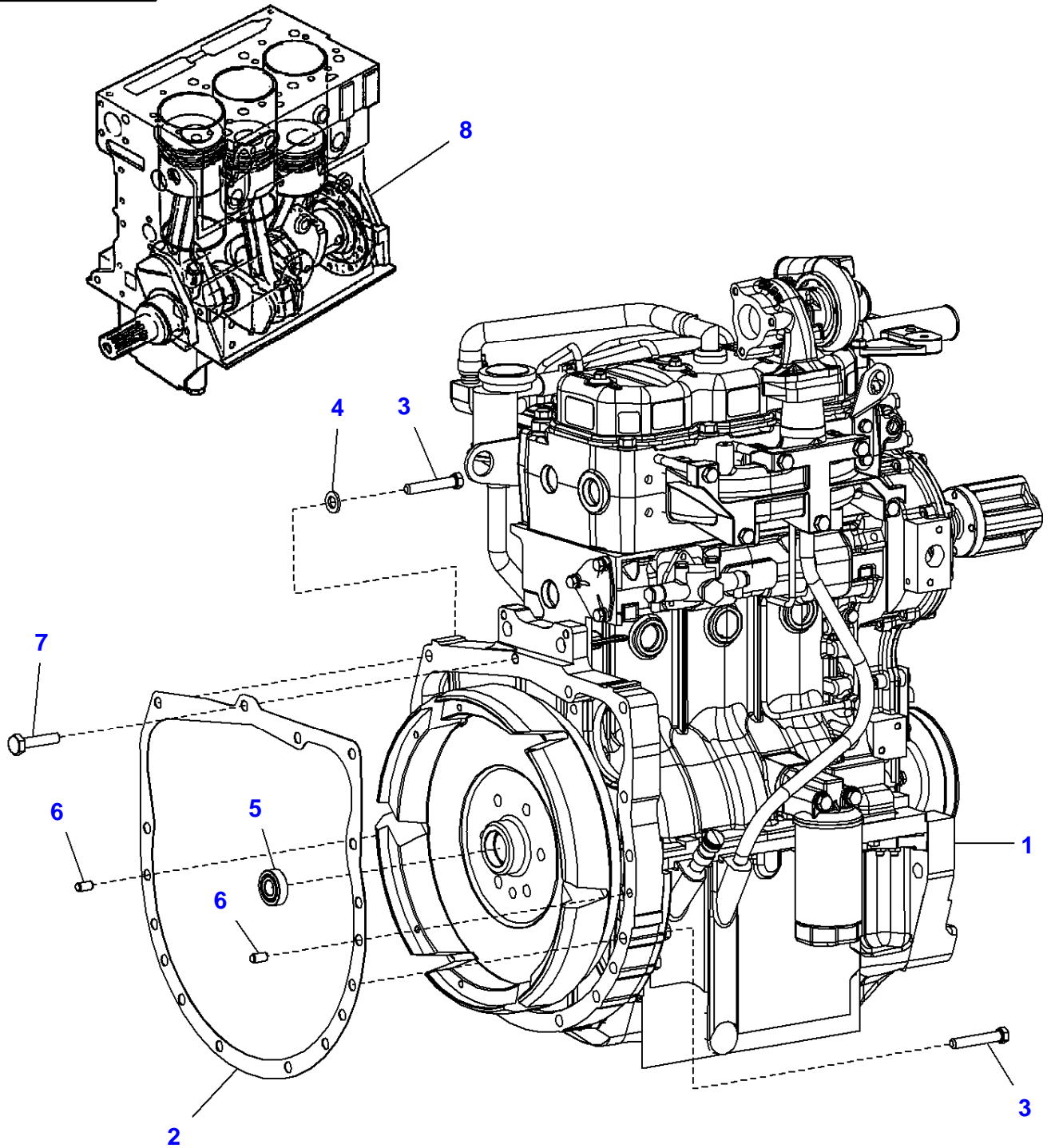


Page Number	Page Title	Page Reference
01-000-TOC	ENGINE, FUEL AND EXHAUST SYSTEM	01-000-TOC
02-000-TOC	FRAME AND SUSPENSION	02-000-TOC
03-000-TOC	STEERING SYSTEM	03-000-TOC
04-000-TOC	DRIVE TRAIN SYSTEM	04-000-TOC
05-000-TOC	HYDRAULIC SYSTEM	05-000-TOC
06-000-TOC	ELECTRICAL SYSTEM	06-000-TOC
07-000-TOC	PLATFORM	07-000-TOC
08-000-TOC	CHASSIS	08-000-TOC
09-000-TOC	WHEELS	09-000-TOC
10-000-TOC	LINKAGE	10-000-TOC
11-000-TOC	GENERAL INFORMATION	11-000-TOC

0-0011-005-A



Item	Part Number	Qty	Description Comments	Technical Specification
1	2318P02301	1	ENGINE LIST N?125	TSJ327E 58HP-7125
2	716946M2	1	JOINT	
3	717608M1	11	HEX CAP SCREW	M12 X 70
4	390735X1	2	FLAT WASHER	M12 ZN
5	4256612M1	1	BEARING	
6	3792701M1	2	DOWEL	?9,5 X 19 MM
7	3019851X1	1	HEXAGONAL HEAD BOLT	M12 X 45 ISO 10.9 PH
8		1	SHORT ENGINE TBA	

<https://www.ebooklibonline.com>

Hello dear friend!

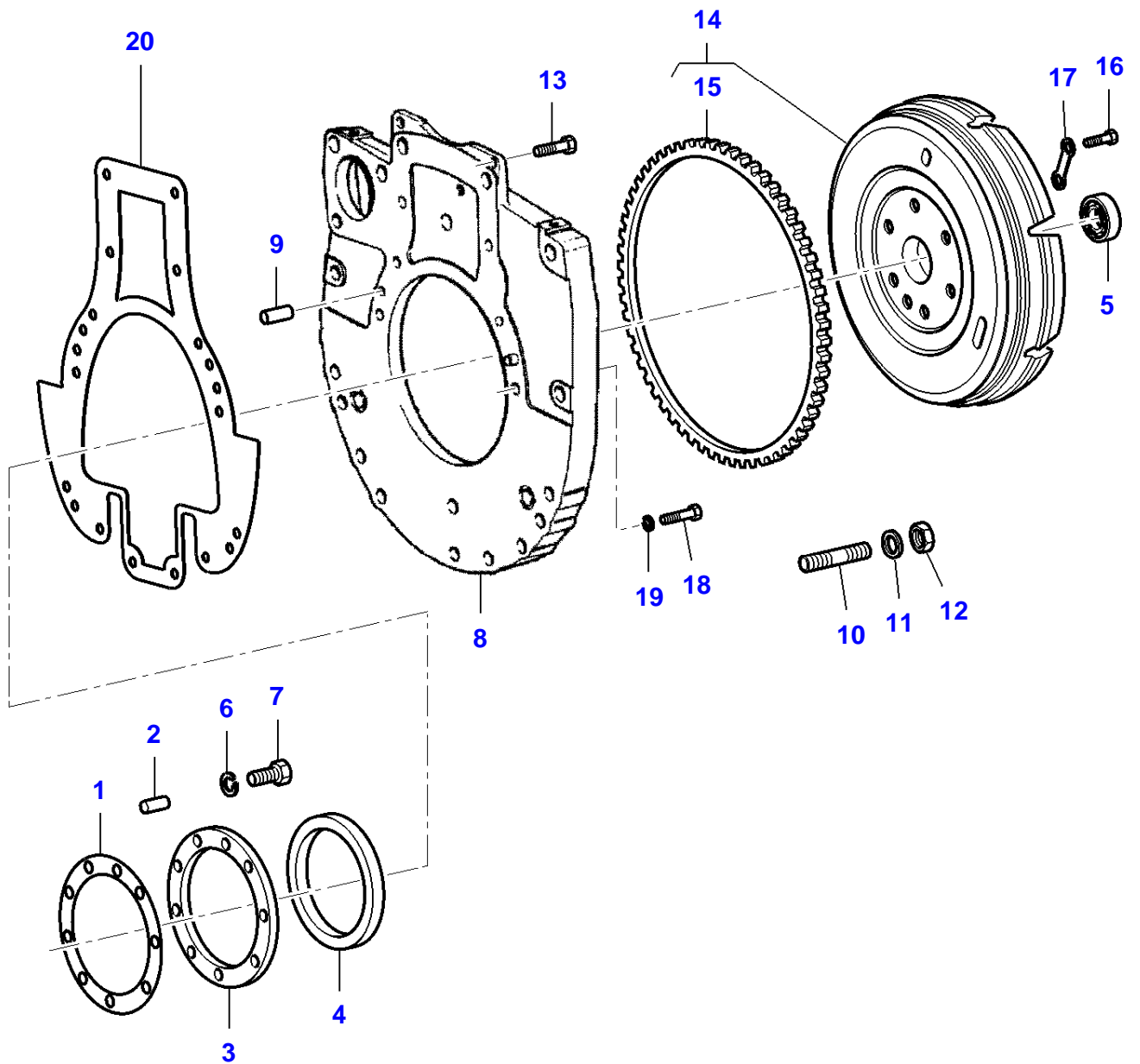
Thank you very much for reading.

Enter the link into your browser.

The full manual is available for immediate download.

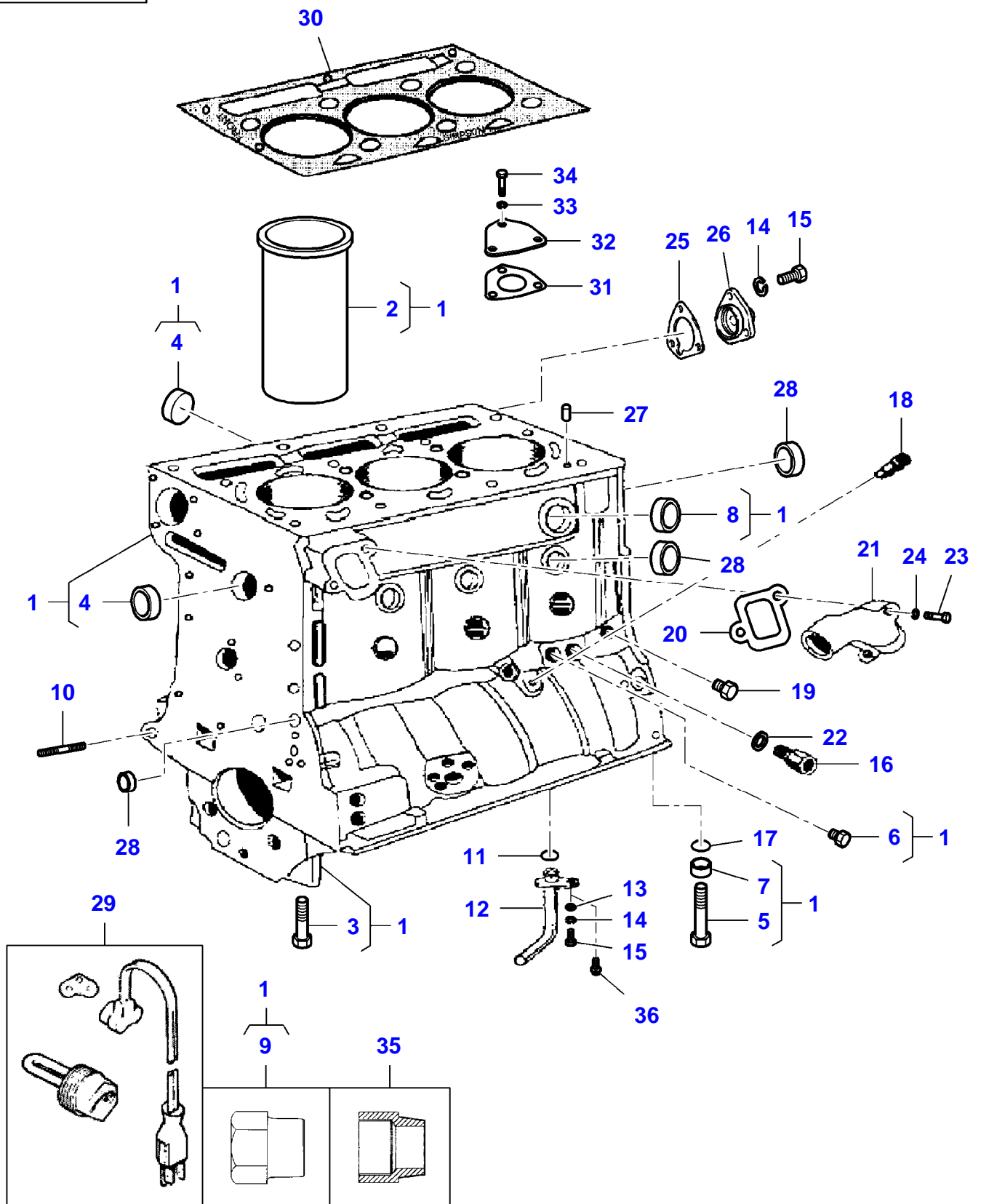
<https://www.ebooklibonline.com>

0-0095-007-B



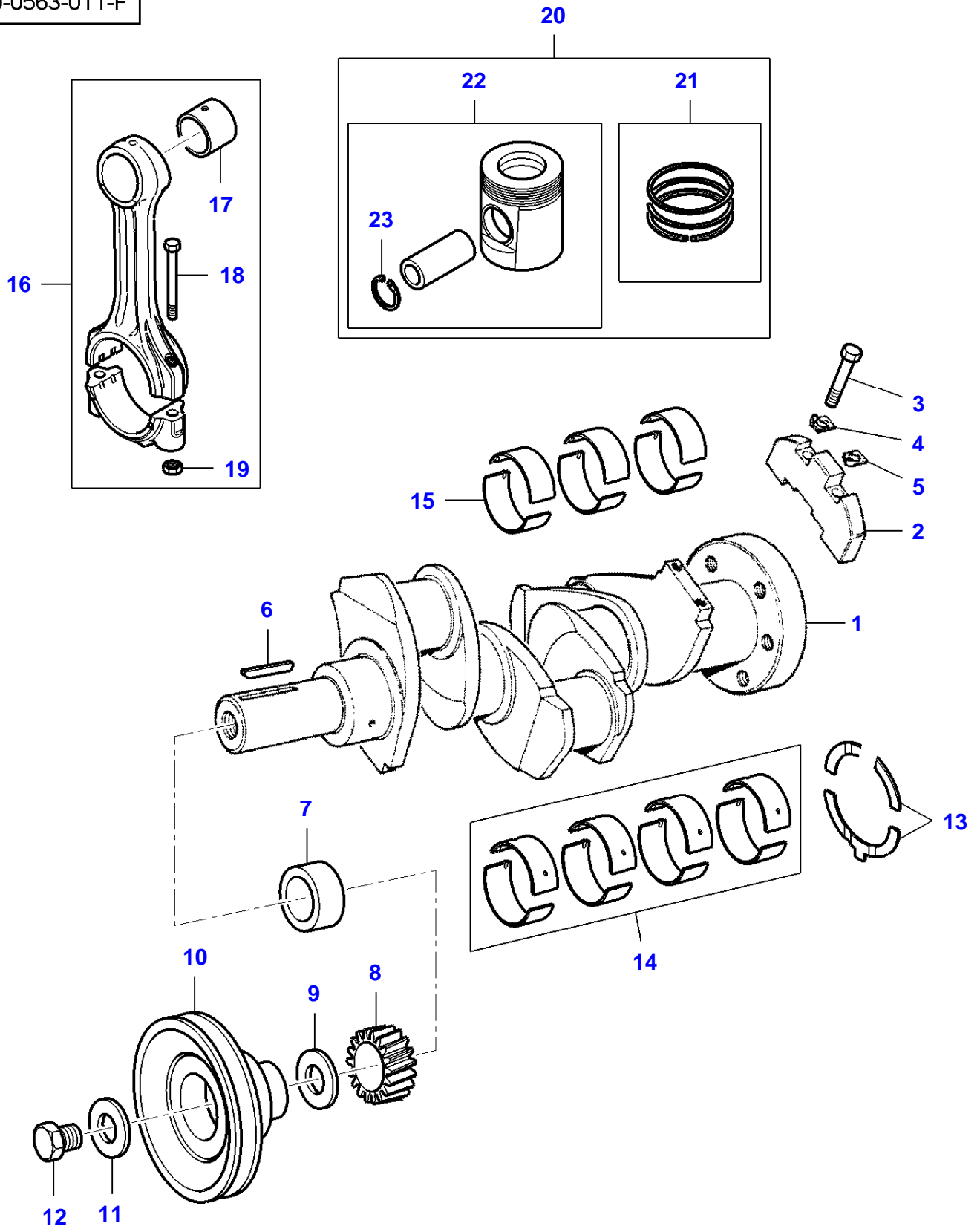
Item	Part Number	Qty	Description Comments	Technical Specification
1	3604480M1	1	JOINT	
2	731312M1	2	DOWEL	
3	3604447M1	1	HOUSING	
4	3904988M1	1	OIL SEAL	
5	828123M2	1	BEAR.6203 2Z UP TO MACHINE S/N FX-788256	
	4256612M1	1	BEARING FROM MACHINE S/N FX-788257	
6	353446X1	9	LOCK WASHER	5/16"
7	3604656M1	9	HEX CAP SCREW	
8	3604646M1	1	FLYWHEEL HOUSING	
9	731344M1	2	DOWEL	
10	3604725M1	6	STUD BOLT	
11	3604675M1	6	FLAT WASHER	
12	3604702M1	6	LOCKNUT	
13	3604652M1	2	HEX CAP SCREW	
14	3408364M91	1	FLYWHEEL ASSY.	
15	731008M1	1	STARTER RING	
16	3604719M1	6	HEX CAP SCREW	M12 X 35 (1.25) ISO 10.9
17	731192M1	3	TAB WASHER	
18	339009X1	6	HEXAGONAL HEAD BOLT	M8 X 35 (1.25) ISO 8.8 ZN
19	339374X1	6	LOCKWASHER	M8 ZN
20	NS	X	NON-SERVICEABLE PART	

8022865-0-A



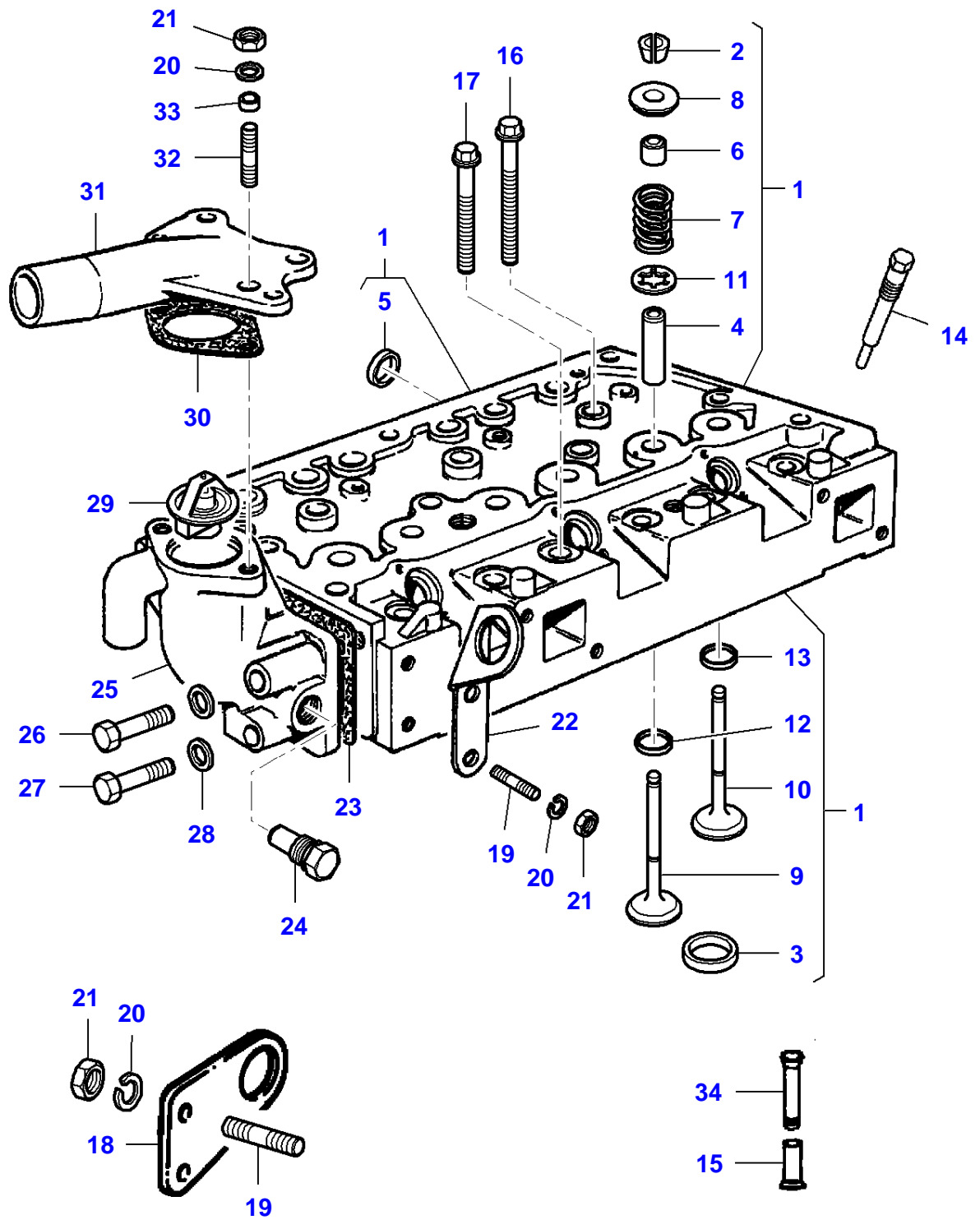
Item	Part Number	Qty	Description Comments	Technical Specification
1	3905282M91	1	CYLINDER-BLOCK INCLUDES ITEMS 2-8	
2	3905776M1	3	LINER SEMI-FINISHED	
	3904972M1	X	LINER PRE-FINISHED	
3	3604538M1	6	HEX CAP SCREW	
4	731354M1	5	PLUG	
5	3604537M1	2	HEX CAP SCREW	
6	3904982M1	1	PLUG	
7	3604536M1	8	THIMBLE	
8	733067M1	1	PLUG	
9	3904984M1	1	ADAPTER	F.3/4-14 NPSI/M 1"PTF
10	3905853M1	1	STUD BOLT	
11	3904991M1	1	O RING	
12	3905264M1	1	PIPE	
13	3905254M1	4	WASHER UP TO ENGINE S/N TSJ327E38076	
14	1650484M1	4	LOCK WASHER UP TO ENGINE S/N TSJ327E38076	5/16"
15	3604656M1	4	HEX CAP SCREW UP TO ENGINE S/N TSJ327E38076	
16	3904945M1	1	ADAPTER	
17	1447053M1	2	O RING	
18	3904976M1	1	PIPE	
19	376670X1	1	PLUG	
20	3904965M1	1	JOINT	
21	3906583M1	1	CONNECTION	
22	3904857M1	1	SEALING WASHER	
23	3604656M1	2	HEX CAP SCREW	
24	375731X1	2	LOCK WASHER	
25	731209M1	1	JOINT	
26	3905996M1	1	PLATE	
27	4222552M1	2	DOWEL	
28	3904983M1	3	PLUG	
29	773323M92	1	HEATER	
30	3906992M1	1	CYLINDER HEAD GASKET	
31	3904961M1	1	JOINT	
32	3906915M1	1	PLATE	
33	353441X1	3	LOCK WASHER	1/4" ZN
34	3604716M1	3	HEX CAP SCREW	
35	NS	X	NON-SERVICEABLE PART	
36	ACP0220530	4	BOLT FROM ENGINE S/N TSJ327E38077	

0-0563-011-F



Item	Part Number	Qty	Description Comments	Technical Specification
1	3908666M91	1	CRANKSHAFT	
2	745483M1	2	WEIGHT	
3	376546X1	4	HEX CAP SCREW	
4	733644M1	2	RIGHT HAND TAB WASHER	
5	733645M1	2	LEFT HAND TAB WASHER	
6	731076M1	1	WOODRUFF KEY	
7	3905291M1	1	SPACER	
8	3905292M1	1	GEAR,CRANKSHAFT	
9	745057M1	1	WASHER	
10	3905512M1	1	CRANKSHAFT PULLEY	
11	731376M1	1	WASHER	
12	3604717M1	1	HEX CAP SCREW	
13	3604437M1	2	KIT, WASHER "STANDARD"	
	3604438M1	2	KIT, WASHER "OVERSIZE"	
14	3604429M1	1	MAIN BEARING	
	3604430M1	1	MAIN BEARING	S = -0.25MM/-0.010"
	3604431M1	1	MAIN BEARING	S = -0.50MM/-0.020"
	3604432M1	1	MAIN BEARING	S = -0.75MM/-0.030"
15	3604433M1	6	BEARING "Standard"	
	3604434M1	6	BEARING	S = -0.25MM/-0.010"
	3604435M1	6	BEARING	S = -0.50MM/-0.020"
	3604436M1	6	BEARING	S = -0.75MM/-0.030"
16	3604445M91	3	KIT, CONROD INCLUDES ITEMS 17-19	
17	740407M1	1	BUSH	
18	375756X1	2	HEX CAP SCREW	
19	3639947M1	2	NUT	7/16"-20
20	2300027S91	3	KIT, PISTON/RING INCLUDES ITEMS 21-23	
21	3905261M91	1	KIT, RING	
22	3906593M91	1	KIT, PISTON INCLUDES ITEMS 23	
23	375709X1	2	CIRCLIP	

0-0566-018-A

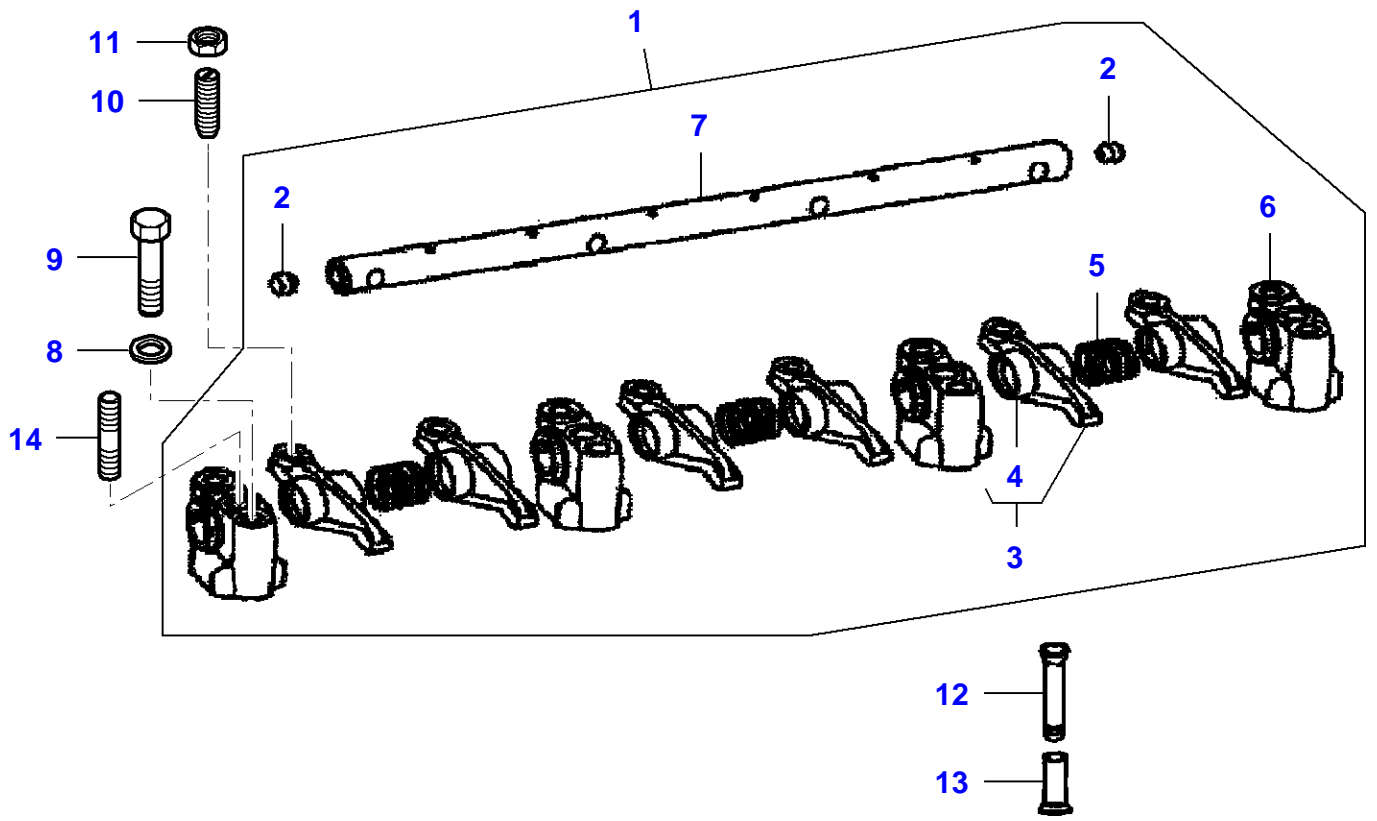


Item	Part Number	Qty	Description Comments	Technical Specification
1	3906943M91	1	KIT, CYL. HEAD INCLUDES ITEMS 2-13	
2	731155M1	12	COTTER	
3	731354M1	7	PLUG	
4	ACP0300950	X	GUIDE	PRE-FINISHED
	3904958M1	6	GUIDE	
5	731856M1	2	PLUG	
6	3904989M1	6	SEAL	
7	3904999M1	6	SPRING	
8	731156M1	6	CAP	
9	3905253M1	3	EXHAUST VALVE	
10	3905252M1	3	INLET VALVE	
11	737645M1	6	WASHER	
12	3904960M1	3	INSERT	
13	3904959M1	3	INSERT	
14	3906517M1	3	GLOW PLUG	
15	3905251M1	6	TAPPET	
16	3904995M1	8	HEX CAP SCREW	
17	3904996M1	4	HEX CAP SCREW	
18	3604678M1	1	PLATE	
19	3604724M1	4	STUD BOLT	
20	3604675M1	6	FLAT WASHER	
21	3604702M1	6	LOCKNUT	
22	3906917M1	1	PLATE	
23	3904964M1	1	JOINT	
24	4224584M1	1	PLUG	
25	3908625M91	1	BODY	
26	3904994M1	2	HEX CAP SCREW	
27	3604710M1	2	HEX CAP SCREW	
28	1650484M1	4	LOCK WASHER	5/16"
29	3906514M1	1	THERMOSTAT	
30	1650482M1	1	JOINT	
31	3905510M1	1	CONNECTION	
32	3905511M1	2	STUD BOLT	
33	3904956M1	1	SPACER	
34	3904986M1	6	ROD	
35	3906693M1	1	RELAY "GlowPlug Timer"	

[A]

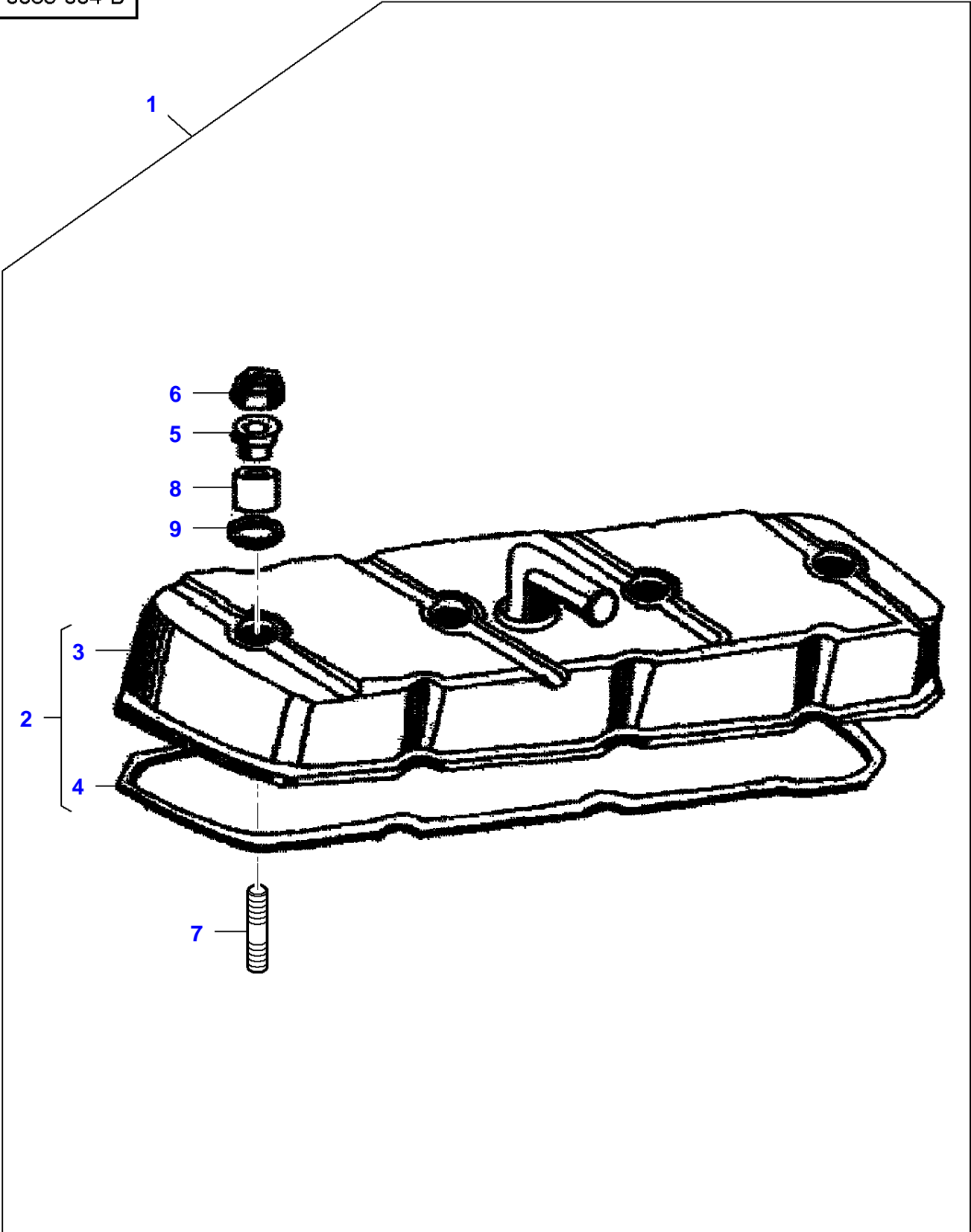
[A] NOT ILLUSTRATED

0-0569-015-A



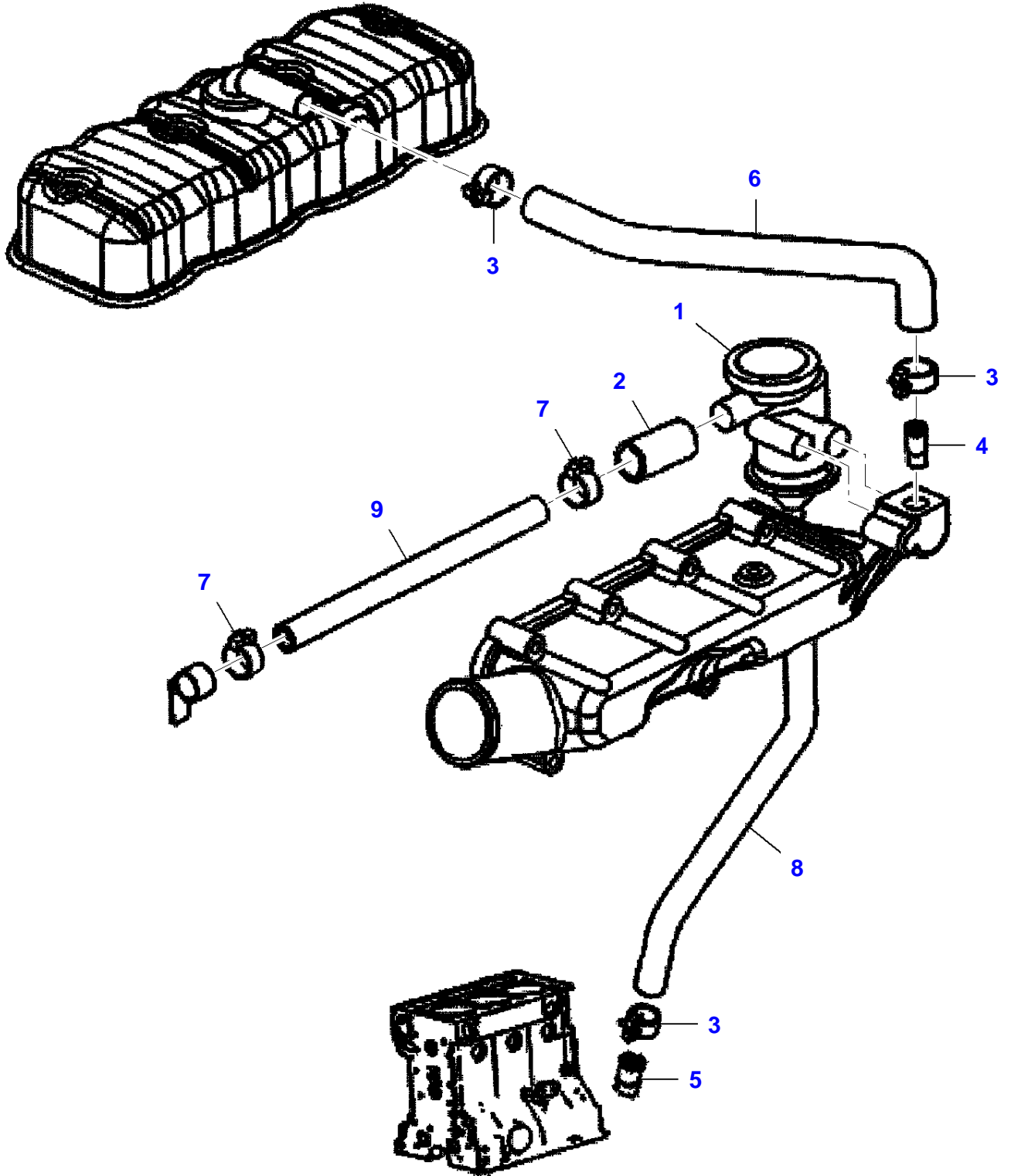
Item	Part Number	Qty	Description Comments	Technical Specification
1	3905262M91	1	ROCKER SHAFT INCLUDES ITEMS 2-7	
2	731330M1	2	PLUG	
3	3905263M91	6	ROCKER ARM INCLUDES ITEMS 4	
4	3904941M1	1	BUSH	
	3905475M1	1	ROCKER ARM	
5	3905000M1	3	SPRING	
6	3905581M1	4	ROCK.ARM BRACKET	
7	3904997M1	1	ROCKER SHAFT	
8	1650484M1	8	LOCK WASHER	5/16"
9	3904993M1	8	HEX CAP SCREW	
10	3904987M1	6	GRUB SCREW	
11	3904975M1	6	LOCKNUT	
12	3904986M1	6	ROD	
13	3905251M1	6	TAPPET	
14	3905249M1	4	STUD BOLT	

0-0085-004-B



Item	Part Number	Qty	Description Comments	Technical Specification
1	2200038S91	1	KIT, CYL COVER INCLUDES ITEMS 2-7	
2	3906961M91	1	KIT, CYL COVER	
3	3906590M91	1	CYLINDER HEAD COVER.	
4	3906591M1	1	COVER GASKET	
5	3906540M1	4	RUBBER SEAL	
6	3637137M1	4	NUT	M8
7	3905249M1	4	STUD BOLT	
8	3906584M1	4	SLEEVE	
9	3905461M1	4	SEALING WASHER	

0-0614-004-A



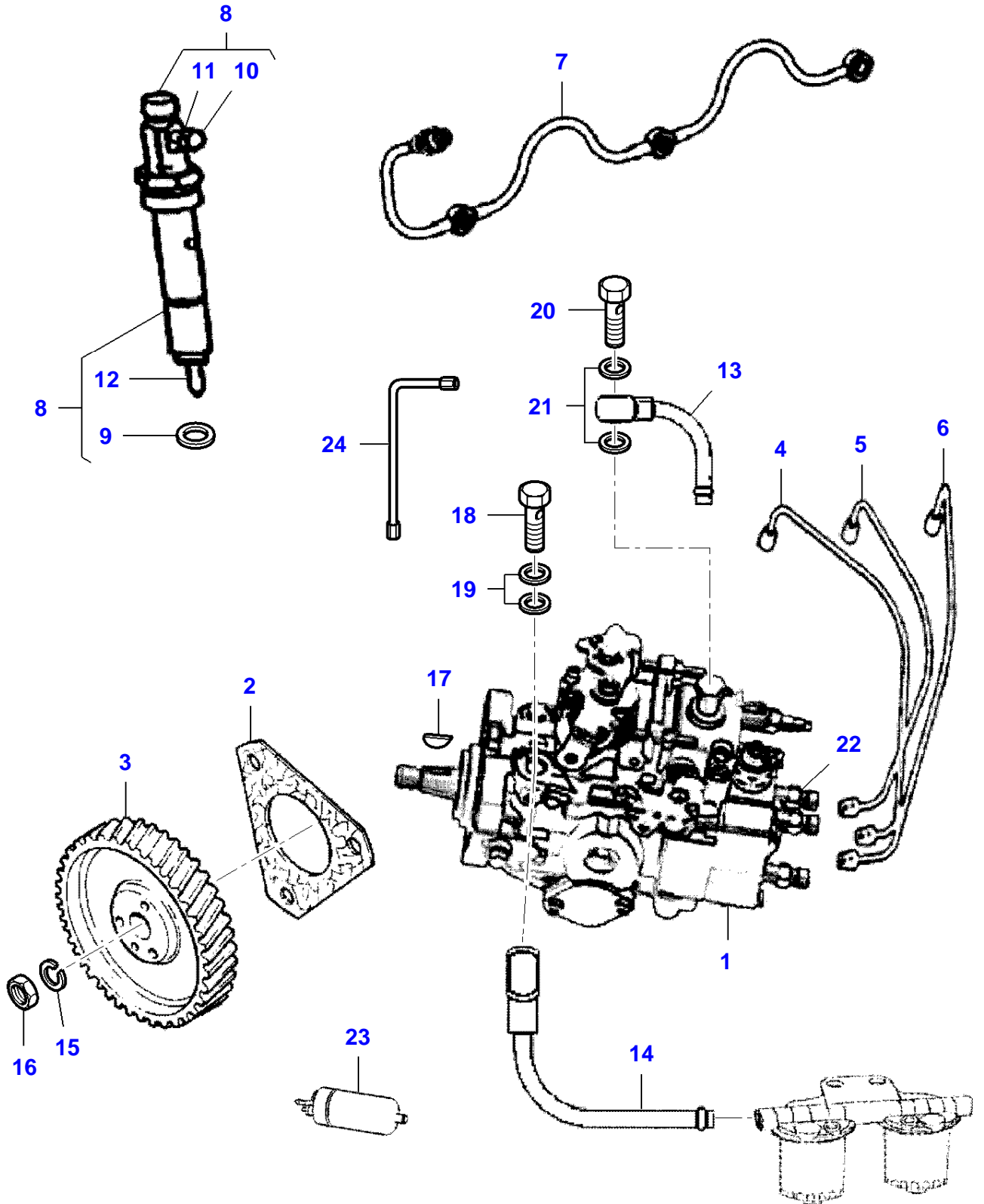
Item	Part Number	Qty	Description Comments	Technical Specification
1	3905267M1	1	BREATHER	
2	3905991M1	1	HOSE	
3	3641405M1	4	HOSE CLIP	?16-27 X 13 MM
4	3904980M1	1	PIPE	
5	3904976M1	1	PIPE	
6	3906912M1	1	HOSE	
7	375790X1	2	HOSE CLIP	DIAM 12-22 MM
8	3904978M1	1	HOSE	
9	3906913M1	1	HOSE	

Item	Part Number	Qty	Description Comments	Technical Specification
1	3905371M1	1	TIMING CASE	
2	3908968M1	1	GASKET	
3	731344M1	2	DOWEL	
4	3604709M1	18	HEX CAP SCREW UP TO ENGINE S/N SJ327 45285	
	3604709M1	8	HEX CAP SCREW FROM ENGINE S/N SJ327 45286	
	3908883M1	10	HEXAGON FLANGE BOLT FROM ENGINE S/N SJ327 45286	M8 X 1.25 X 30 朧SO 10.9
	3604665M1	8	STUD BOLT	
5	3604660M1	1	HEX CAP SCREW	
6	353446X1	42	LOCK WASHER	5/16"
7	3604461M1	1	BRIDGE PIECE	
8	3604727M1	9	STUD BOLT	
9	3908887M1	11	HEX FLANGE NUT	M8 X 1 朧SO 8
10	4222913M1	1	JOINT	
11	3905401M1	1	BLANKING PLATE	
12	3905309M1	1	POINTER	
13	3905296M1	1	HUB TOP	
14	3905439M1	1	IDLER GEAR	
15	3905308M1	1	PLATE	
16	3905306M1	2	TAB WASHER	
17	3905303M1	6	STUD BOLT	
18	3604702M1	6	LOCKNUT	
19	3905868M1	1	IDLER GEAR	
20		1	KIT, SHAFT INCLUDES ITEMS 21-24 [B]	
21	3906925M1	1	CAMSHAFT	
22	3904954M1	2	THRUST WASHER	
23	3604656M1	2	HEX CAP SCREW	
24	3904935M1	1	GEAR,CAMSHAFT	
25	3637082M1	1	HEXAGON FLANGE BOLT	
26	3905311M91	1	PIPE	
27	3905493M1	2	SEALING WASHER	?6,2-9,8 X 1 MM
28	3905290M1	1	BANJO BOLT	
29	3905297M1	1	JOINT	
30	3906547M1	1	TIMINGGEAR COVER	
31	3604665M1	10	STUD BOLT	
32	3604710M1	1	HEX CAP SCREW UP TO ENGINE S/N SJ327 45285	
	3908885M1	1	HEXAGON FLANGE BOLT FROM ENGINE S/N SJ327 45286	M8 X 1.25 X 80 X 22 朧SO 10.9
	3905300M1	1	HEX CAP SCREW UP TO ENGINE S/N SJ327 45285	
	3908886M1	1	HEXAGON FLANGE BOLT FROM ENGINE S/N SJ327 45286	M8 X 1.25 X 70 X 22 朧SO 10.9
33	3906983M1	1	JOINT	
34	3905281M91	1	OIL FILLER INCLUDES ITEMS 35 UP TO ENGINE S/N SJ327 28591	
	ACP0312230	1	OIL FILLER FROM ENGINE S/N SJ327 28592	
35	3641889M1	1	CAP UP TO ENGINE S/N SJ327 28591	
36	353445X1	6	LOCK WASHER	N?0 ZN

Item	Part Number	Qty	Description Comments	Technical Specification
37	3604713M1	6	HEXAGONAL HEAD BOLT UP TO ENGINE S/N SJ327 45285	M8 X 30
37	3908883M1	6	HEXAGON FLANGE BOLT FROM ENGINE S/N SJ327 45286	M8 X 1.25 X 30 朧SO 10.9
38	3905515M1	3	STUD BOLT	
39	3905247M1	4	STUD BOLT	
40	3604718M1	3	HEX CAP SCREW	
41	1447689M1	1	SEAL	
42	3908884M1	3	HEXAGON FLANGE BOLT	M8 X 1.25 X 40 X 22 朧SO 10.9
43	3905307M1	1	PLATE	
44	3604728M1	4	STUD BOLT	
45	3604708M1	6	HEX CAP SCREW UP TO ENGINE S/N SJ327 45285	
45	3908888M1	6	HEXAGON FLANGE BOLT FROM ENGINE S/N SJ327 45286	M6 X 1 X 10 朧SO 10.9
46	3905441M1	1	GEAR BOTTOM	
47	3905997M1	1	PLATE	
48	731368M1	1	DOWEL	
49	3905298M1	1	JOINT	
50	NS	X	NON-SERVICEABLE PART	
51	NS	X	NON-SERVICEABLE PART	

[B] DETAILS ORDER

0-0587-025-B





Suggest:

For more complete manuals. Please go to the home page.

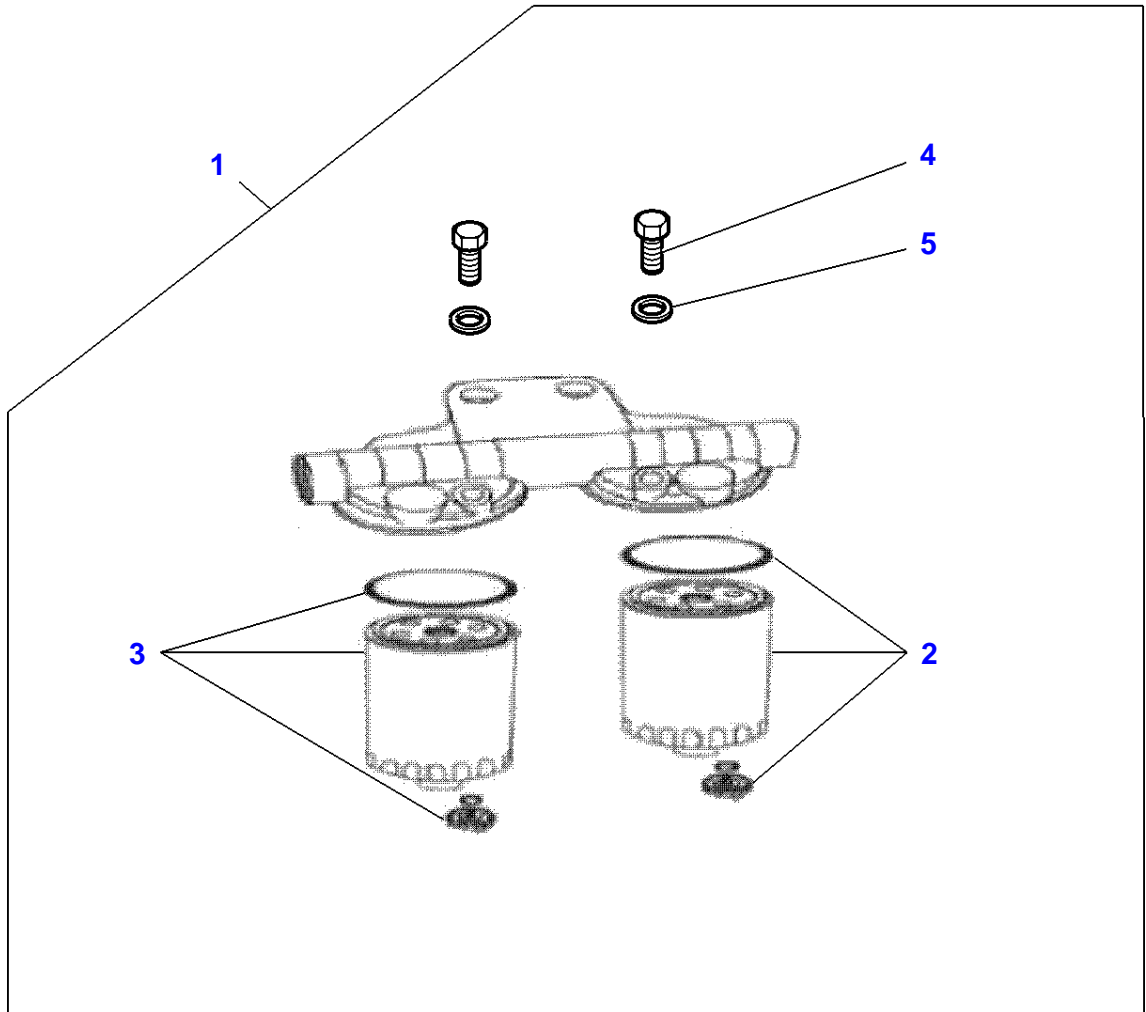
<https://www.ebooklibonline.com>

If the above button click is invalid. Please download this document first, and then click the above link to download the complete manual.

Thank you so much for reading

Item	Part Number	Qty	Description Comments	Technical Specification
1	3906918M91	1	INJECTION PUMP	
2	3905432M1	1	JOINT	
3	3904957M1	1	PUMP GEAR	
4	3905272M1	1	FUEL PIPE No. 1	
5	3905273M1	1	FUEL PIPE No. 2	
6	3905274M1	1	FUEL PIPE No. 3	
7	3905271M1	1	FUEL PIPE	
8	3906919M91	3	INJECTOR	
9	3905256M1	1	WASHER	
10	3604611M1	1	BANJO BOLT	M8 X 8 X 8
11	3905493M1	2	SEALING WASHER	?6,2-9,8 X 1 MM
12	NS	1	NON-SERVICEABLE PART	
13	3905276M1	1	FUEL PIPE	
14	3905275M1	1	FUEL PIPE	
15	3906871M1	1	LOCK WASHER	
16	3906872M1	1	NUT	
17	3906873M1	1	WOODRUFF KEY	
18	3906830M1	1	BANJO BOLT	
19	3905400M1	2	SEALING WASHER	
20	3906869M1	1	BANJO BOLT	
21	3906870M1	2	SEALING WASHER	
22	3905285M1	1	TEMPERATURE SENSOR.	
23	3906694M91	1	FUEL PUMP	
24	NS	X	NON-SERVICEABLE PART	
25	3908630M1	1	HARNESS [A]	
26	3906515M1	1	FLOW CONTR.VALVE 0,5 Bar [A] [A] NOT ILLUSTRATED	

0-0588-002-B



<https://www.ebooklibonline.com>

Hello dear friend!

Thank you very much for reading.

Enter the link into your browser.

The full manual is available for immediate download.

<https://www.ebooklibonline.com>