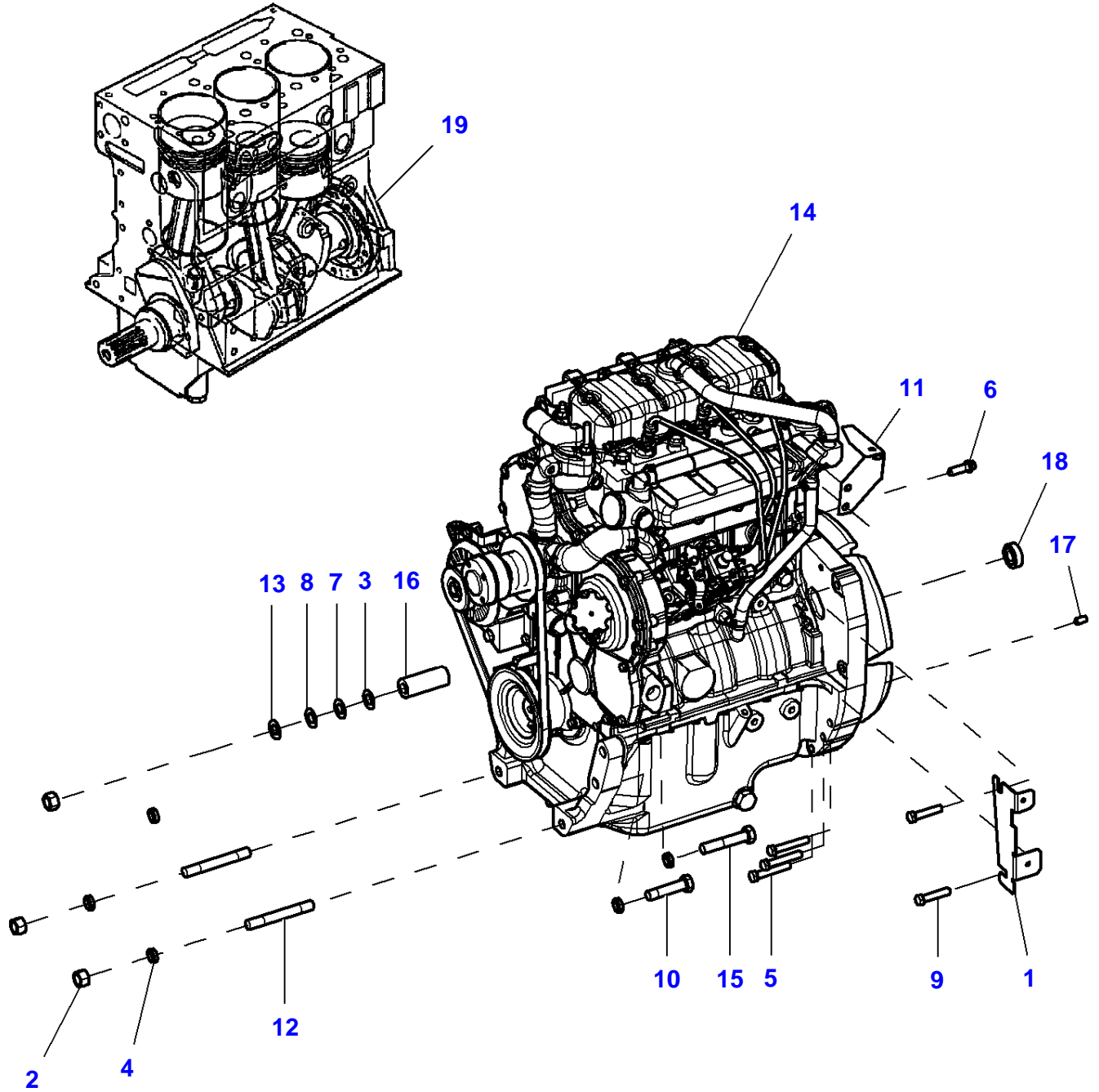


Page Number	Page Title	Page Reference
01-000-TOC	ENGINE, FUEL AND EXHAUST SYSTEM	01-000-TOC
02-000-TOC	AXLES	02-000-TOC
03-000-TOC	FRAME AND SUSPENSION	03-000-TOC
04-000-TOC	STEERING SYSTEM	04-000-TOC
05-000-TOC	DRIVE TRAIN SYSTEM	05-000-TOC
06-000-TOC	ELECTRICAL SYSTEM	06-000-TOC
07-000-TOC	PLATFORM	07-000-TOC
08-000-TOC	CHASSIS	08-000-TOC
09-000-TOC	DECALS	09-000-TOC
10-000-TOC	WHEELS	10-000-TOC
11-000-TOC	IMPLEMENT LIFT SYSTEM REAR	11-000-TOC
12-000-TOC	LINKAGE	12-000-TOC
13-000-TOC	GENERAL INFORMATION	13-000-TOC

Page Number	Page Title	Page Reference
01-0001	ENGINE	00110003-1
01-0002	ENGINE - 2 SPEED IPTO	1986365
01-0003	FLYWHEEL	00950008-1
01-0004	ENGINE - CYLINDER-BLOCK	05600013-1
01-0005	ENGINE - CRANKSHAFT, PISTONS & PISTON ROD	05630011-1
01-0006	ENGINE - CYLINDER HEAD	05660016-1
01-0007	ENGINE - INTAKE VALVE, EXHAUST VALVE & CAMSHAFT	05690015-1
01-0008	ENGINE - CYLINDER HEAD COVER	00850004-1
01-0009	ENGINE - BREATHER	06140001-1
01-0010	ENGINE - TIMING GEAR HOUSING	05720013-1
01-0011	ENGINE - INJECTION PUMP	05870022-1
01-0012	ENGINE - FEED PUMP - FUEL SUPPLY PUMP	05870018-1
01-0013	ENGINE - FUEL LINE & FILTER	06700007-1
01-0014	ENGINE - FEED PUMP	05890001-1
01-0015	ENGINE - OIL SUMP	04400008-1
01-0016	ENGINE - OIL PUMP	04500001-1
01-0017	ENGINE - OIL FILTER	04450001-1
01-0018	ENGINE - WATER PUMP	02750004-1
01-0019	ENGINE - INTAKE & EXHAUST MANIFOLD	03050012-1
01-0020	ENGINE - GASKET SET	06010019-1
01-0021	ENGINE - GEAR BOX ASSEMBLING	07100004-1
01-0022	FAN	2208803
01-0023	COOLING SYSTEM	1983688
01-0024	COOLING SYSTEM - WITH 2 SPEED IPTO	1892766
01-0025	FUEL SYSTEM - TANK & ATTACHMENTS UP TO MACHINE S/N FY-872883	03850036-1
01-0026	FUEL SYSTEM - TANK & ATTACHMENTS FROM MACHINE S/N FY-872884	2317272
01-0027	FUEL SYSTEM - TANK & ATTACHMENTS - WITH 2 SPEED IPTO	1979751
01-0028	FUEL SYSTEM - FUEL LINES FROM MACHINE S/N FY-872884	2317273
01-0029	FUEL SYSTEM - FUEL LINES - WITH 2 SPEED IPTO	1979756
01-0030	AIR FILTER	1986959
01-0031	AIR FILTER - 2 SPEED IPTO	1891872
01-0032	EXHAUST - VERTICAL	1986977
01-0033	EXHAUST - HORIZONTAL - WITH 2 SPEED IPTO	03200016-1

0-0011-003-A



<https://www.ebooklibonline.com>

Hello dear friend!

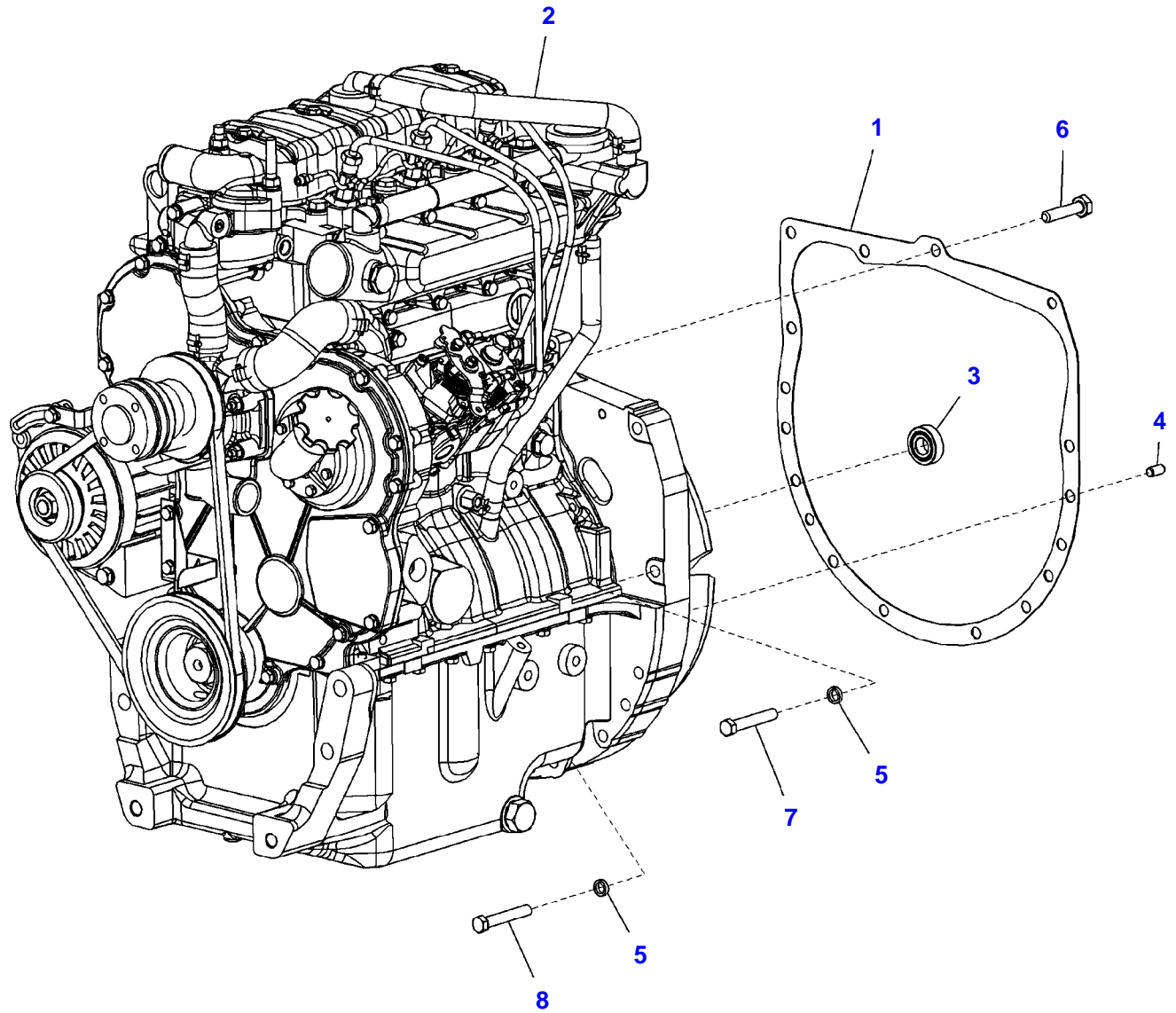
Thank you very much for reading.

Enter the link into your browser.

The full manual is available for immediate download.

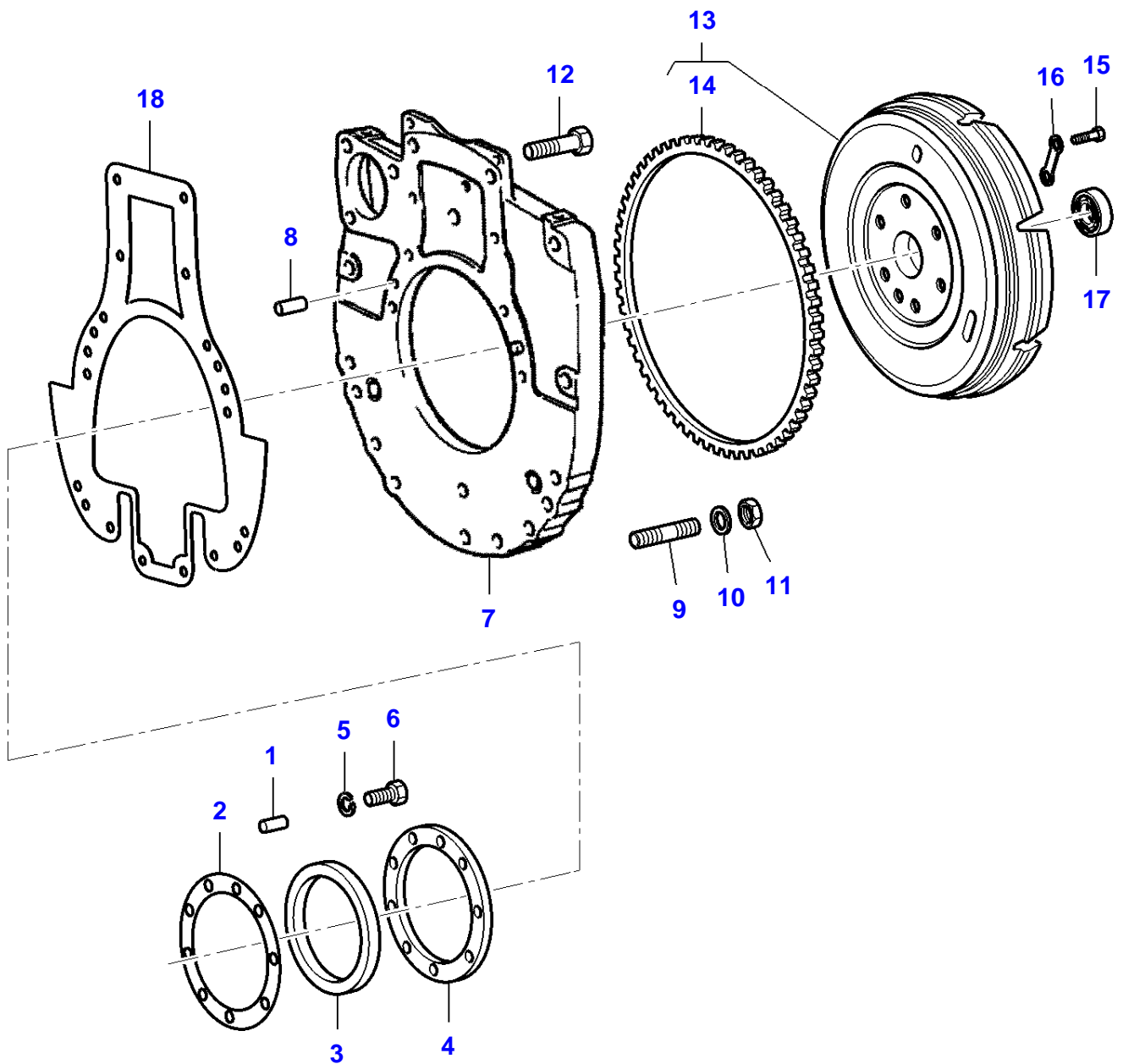
<https://www.ebooklibonline.com>

Item	Part Number	Qty	Description Comments	Technical Specification
1	2213C02902	1	BRACKET UP TO MACHINE S/N MEA2EE61GF1057838	
	2413A00901	1	BRACKET FROM MACHINE S/N MEA2EE61GF1057839	
2	1440231X1	3	HEX NUT	M16 (1.5) ISO 10 ZN
3	365690X1	1	SHIM	S = 0.005" / 0,12 MM
4	339377X1	5	LOCKWASHER	M16 ZN
5	717608M1	8	HEX CAP SCREW	M12 X 70
6	3016585X1	1	SCREW 12 POINTS FLANGE HEAD	M12 X 35 ISO 10.9 PH
7	365691X1	1	SHIM	S = 0.010" / 0,25 MM
8	377126X1	1	SHIM	S = 0.002" / 0,05 MM
9	717609M1	3	HEX CAP SCREW	M12 X 35
10	3019902X1	2	HEXAGONAL HEAD BOLT	M16 X 70 ISO 10.9 PH
11	2219A04302	1	BRACKET	
12	717270M1	2	STUD BOLT	
13	377127X1	1	SHIM	S = 0.036" / 0,90 MM
14	2318P00501	1	ENGINE	SJ327E 49HP-7064
15	3019866X1	1	HEXAGONAL HEAD BOLT	M16 X 85 ISO 10.9 PH
16	847189M1	1	SPACER	
17	3792701M1	2	DOWEL	∅9,5 X 19 MM
18	828123M2	1	BEAR.6203 2Z UP TO MACHINE S/N FX-788256	
	4256612M1	1	BEARING FROM MACHINE S/N FX-788257	
19	3906903M91	1	SHORT ENGINE	SJ327E



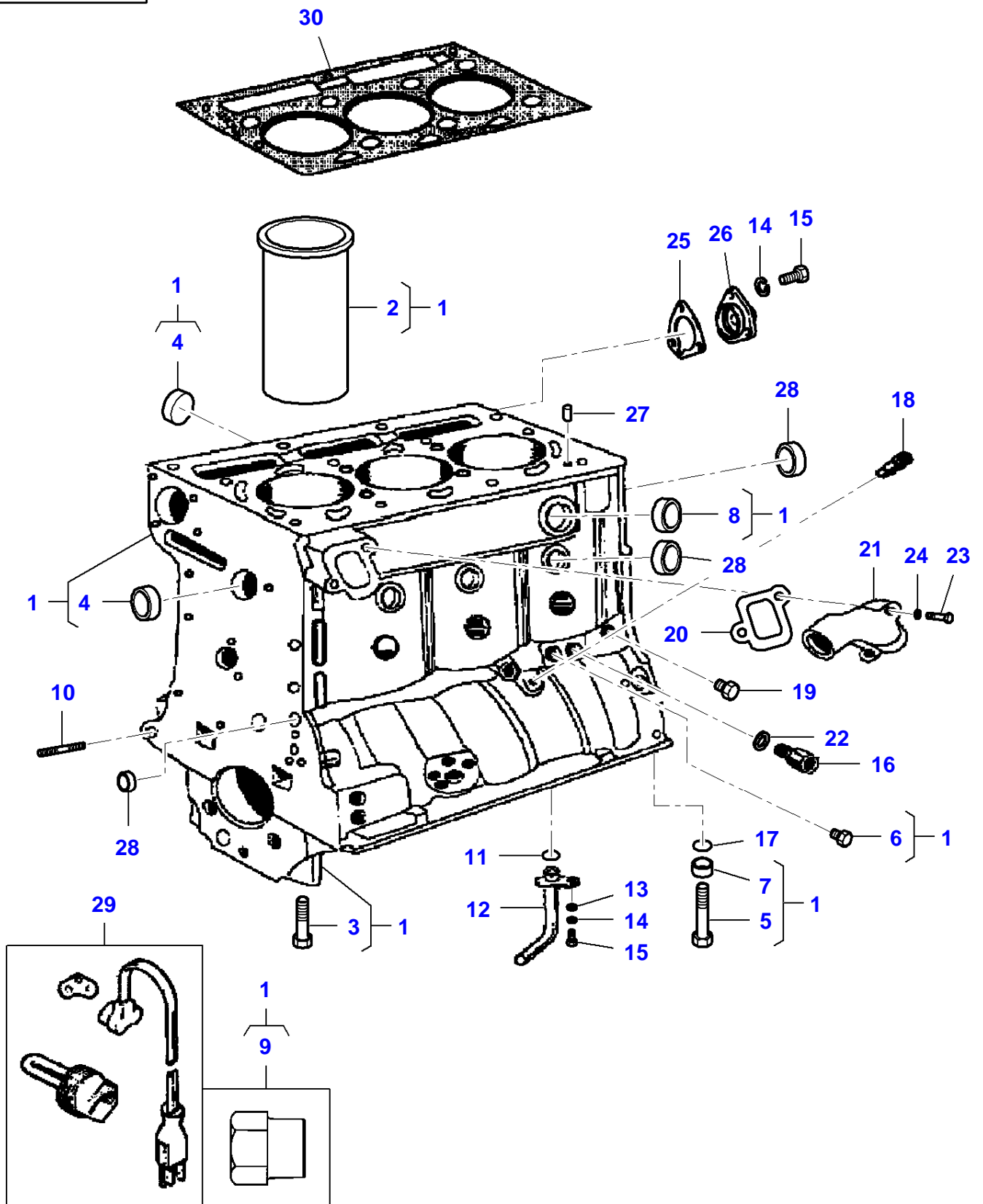
Item	Part Number	Qty	Description Comments	Technical Specification
1	716946M2	1	JOINT	
2	2318P00501	1	ENGINE	SJ327E 49HP-7064
3	4256612M1	1	BEARING	
4	825302M1	2	DOWEL	? ,50 X 19 MM
5	339369X1	11	LOCKWASHER	M12 ZN
6	3019851X1	1	HEXAGONAL HEAD BOLT	M12 X 45 ISO 10.9 PH
7	717608M1	3	HEX CAP SCREW	M12 X 70
8	717610M1	8	HEX CAP SCREW	M12 X 60

0-0095-008-A



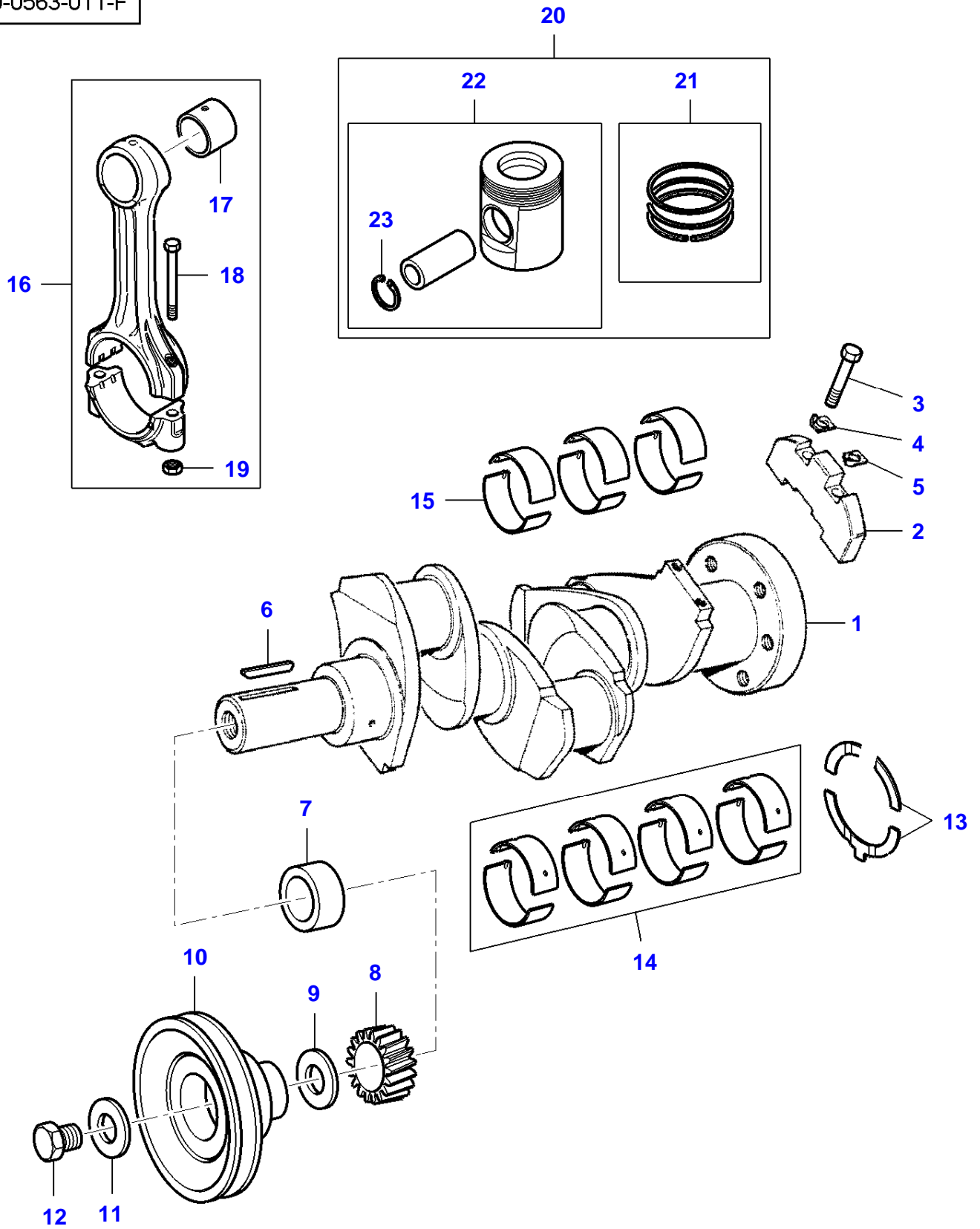
Item	Part Number	Qty	Description Comments	Technical Specification
1	731312M1	2	DOWEL	
2	3604480M1	1	JOINT	
3	3904988M1	1	OIL SEAL	
4	3604447M1	1	HOUSING	
5	353446X1	9	LOCK WASHER	5/16"
6	3604656M1	9	HEX CAP SCREW	
7	3604646M1	1	FLYWHEEL HOUSING	
8	731344M1	2	DOWEL	
9	3604725M1	6	STUD BOLT	
10	3604675M1	6	FLAT WASHER	
11	3604702M1	6	LOCKNUT	
12	3604652M1	2	HEX CAP SCREW	
13	3408364M91	1	FLYWHEEL ASSY.	
14	731008M1	1	STARTER RING	
15	3604719M1	6	HEX CAP SCREW	M12 X 35 (1.25) ISO 10.9
16	731192M1	3	TAB WASHER	
17	828123M2	1	BEAR.6203 2Z UP TO MACHINE S/N FX-788256	
	4256612M1	1	BEARING FROM MACHINE S/N FX-788257	
18	3906592M1	1	JOINT	

0-0560-013-F



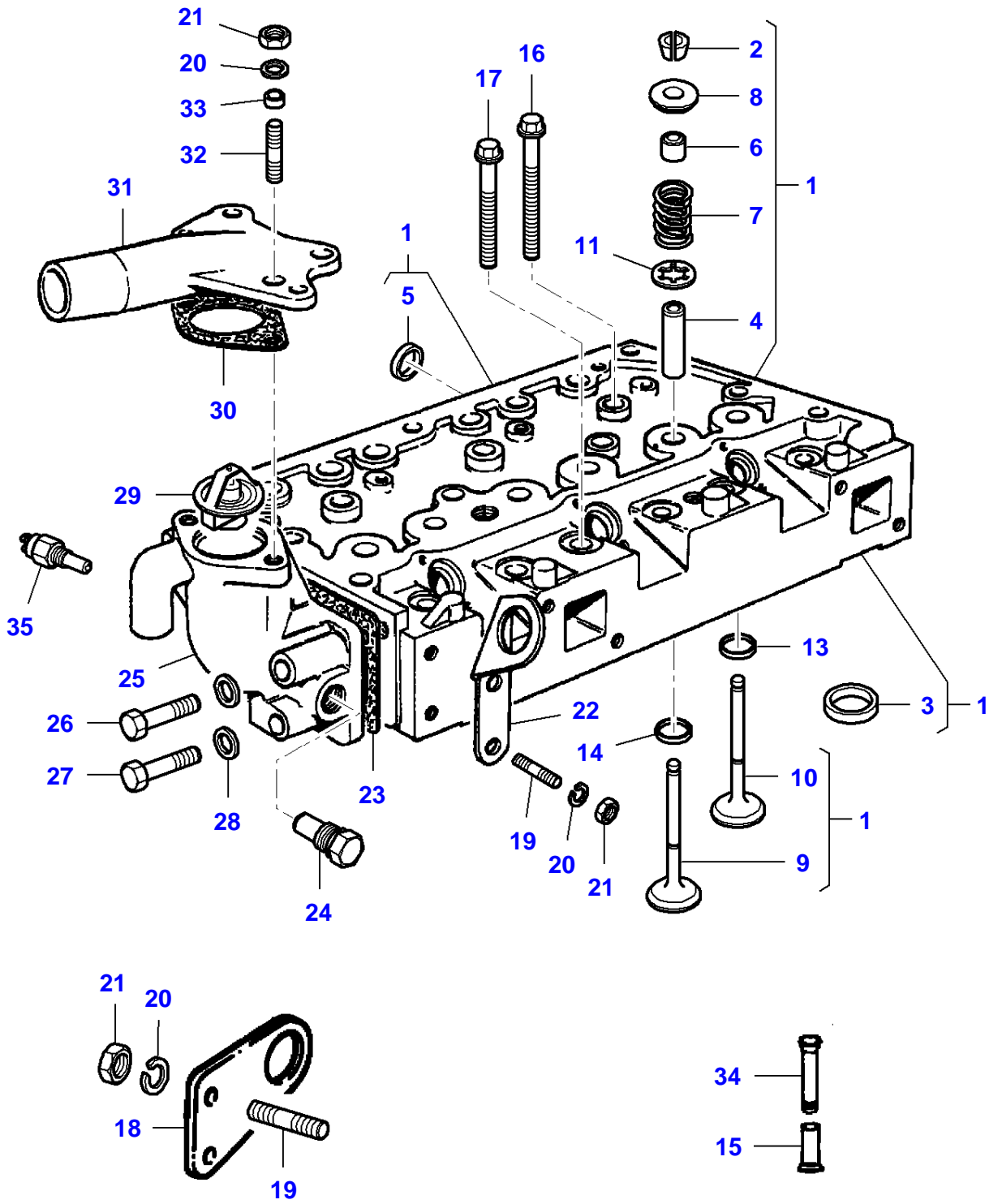
Item	Part Number	Qty	Description Comments	Technical Specification
1	3905282M91	1	CYLINDER-BLOCK INCLUDES ITEMS 2-9	
2	3905776M1	3	LINER SEMI-FINISHED	
	3904972M1	3	LINER PRE-FINISHED NOT INCLUDED IN ASSEMBLY	
3	3604538M1	6	HEX CAP SCREW	
4	731354M1	5	PLUG	
5	3604537M1	2	HEX CAP SCREW	
6	3904982M1	1	PLUG	
7	3604536M1	8	THIMBLE	
8	733067M1	1	PLUG	
9	3904984M1	1	ADAPTER	F.3/4-14 NPSI/M 1"PTF
10	3905853M1	1	STUD BOLT	
11	3904991M1	1	O RING	
12	3905264M1	1	PIPE	
13	3905254M1	1	WASHER	
14	1650484M1	4	LOCK WASHER	5/16"
15	3604656M1	4	HEX CAP SCREW	
16	3904945M1	1	ADAPTER	
17	1447053M1	2	O RING	
18	3904976M1	1	PIPE	
19	376670X1	1	PLUG	
20	3904965M1	1	JOINT	
21	3906583M1	1	CONNECTION	
22	NS	X	NON-SERVICEABLE PART	
23	3604656M1	2	HEX CAP SCREW	
24	375731X1	2	LOCK WASHER	
25	731209M1	1	JOINT	
26	3604677M1	1	COVER	
27	4222552M1	2	DOWEL	
28	3904983M1	2	PLUG	
29	NS	X	NON-SERVICEABLE PART	
30	3906992M1	1	CYLINDER HEAD GASKET	

0-0563-011-F



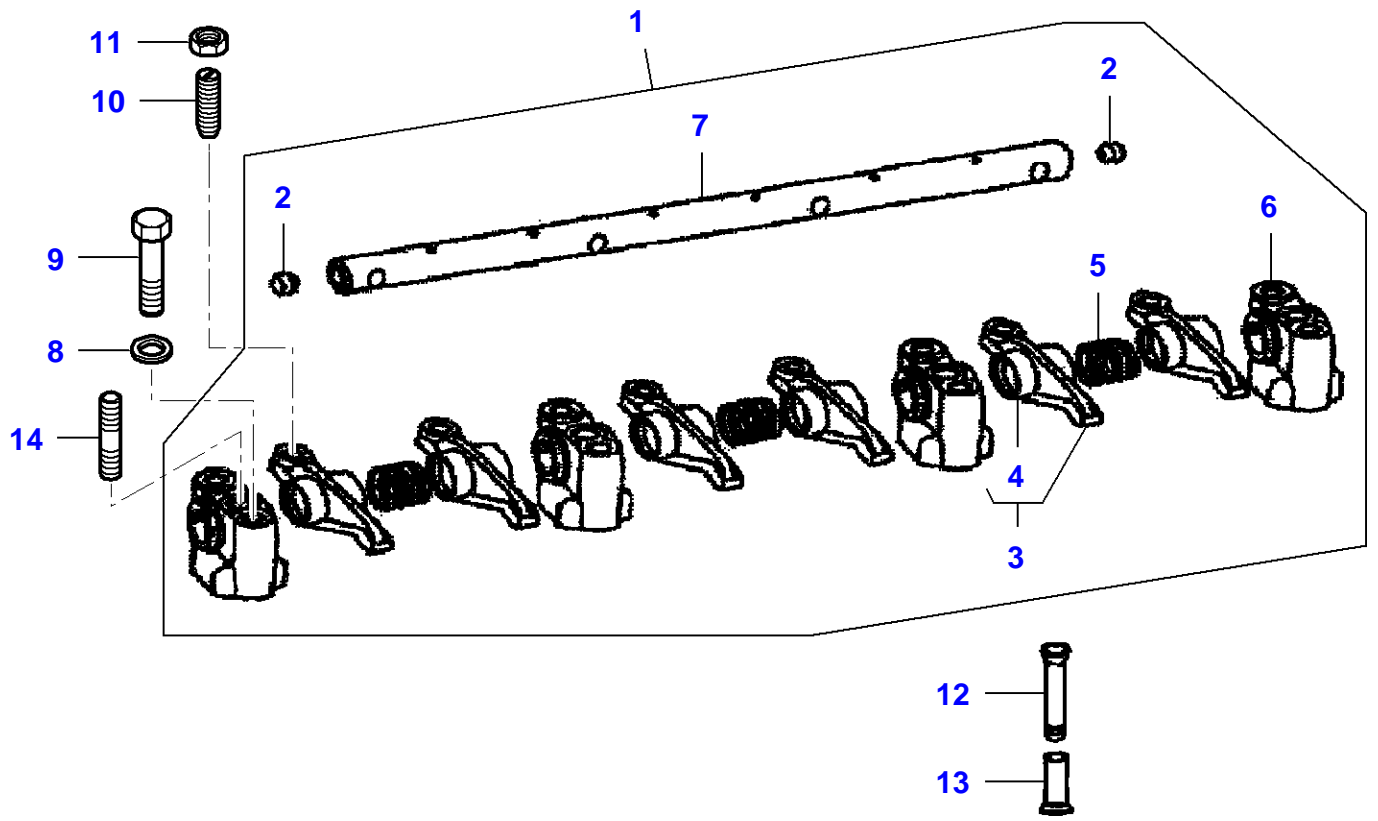
Item	Part Number	Qty	Description Comments	Technical Specification
1	3908623M91	1	CRANKSHAFT REPAIRS AND REPLACES 3904952M1	
2	745483M1	2	WEIGHT	
3	376546X1	4	HEX CAP SCREW	
4	733644M1	2	RIGHT HAND TAB WASHER	
5	733645M1	2	LEFT HAND TAB WASHER	
6	731076M1	1	WOODRUFF KEY	
7	3905291M1	1	SPACER	
8	3905292M1	1	GEAR,CRANKSHAFT	
9	745057M1	1	WASHER	
10	3905512M1	1	CRANKSHAFT PULLEY	
11	731376M1	1	WASHER	
12	3604717M1	1	HEX CAP SCREW	
13	3604437M1	2	KIT, WASHER "STANDARD"	
	3604438M1	2	KIT, WASHER "OVERSIZE"	
14	3604429M1	1	MAIN BEARING	
	3604430M1	1	MAIN BEARING	S = -0.25MM/-0.010"
	3604431M1	1	MAIN BEARING	S = -0.50MM/-0.020"
	3604432M1	1	MAIN BEARING	S = -0.75MM/-0.030"
15	3604433M1	6	BEARING "Standard"	
	3604434M1	6	BEARING	S = -0.25MM/-0.010"
	3604435M1	6	BEARING	S = -0.50MM/-0.020"
	3604436M1	6	BEARING	S = -0.75MM/-0.030"
16	3604445M91	3	KIT, CONROD INCLUDES ITEMS 17-19	
17	740407M1	1	BUSH	
18	375756X1	2	HEX CAP SCREW	
19	3639947M1	2	NUT	7/16"-20
20	3905278M91	3	KIT, PISTON/RING INCLUDES ITEMS 21-23	
21	3905261M91	1	KIT, RING	
22	3905406M91	1	KIT, PISTON INCLUDES ITEMS 23	
23	375709X1	2	CIRCLIP	

0-0566-016-B



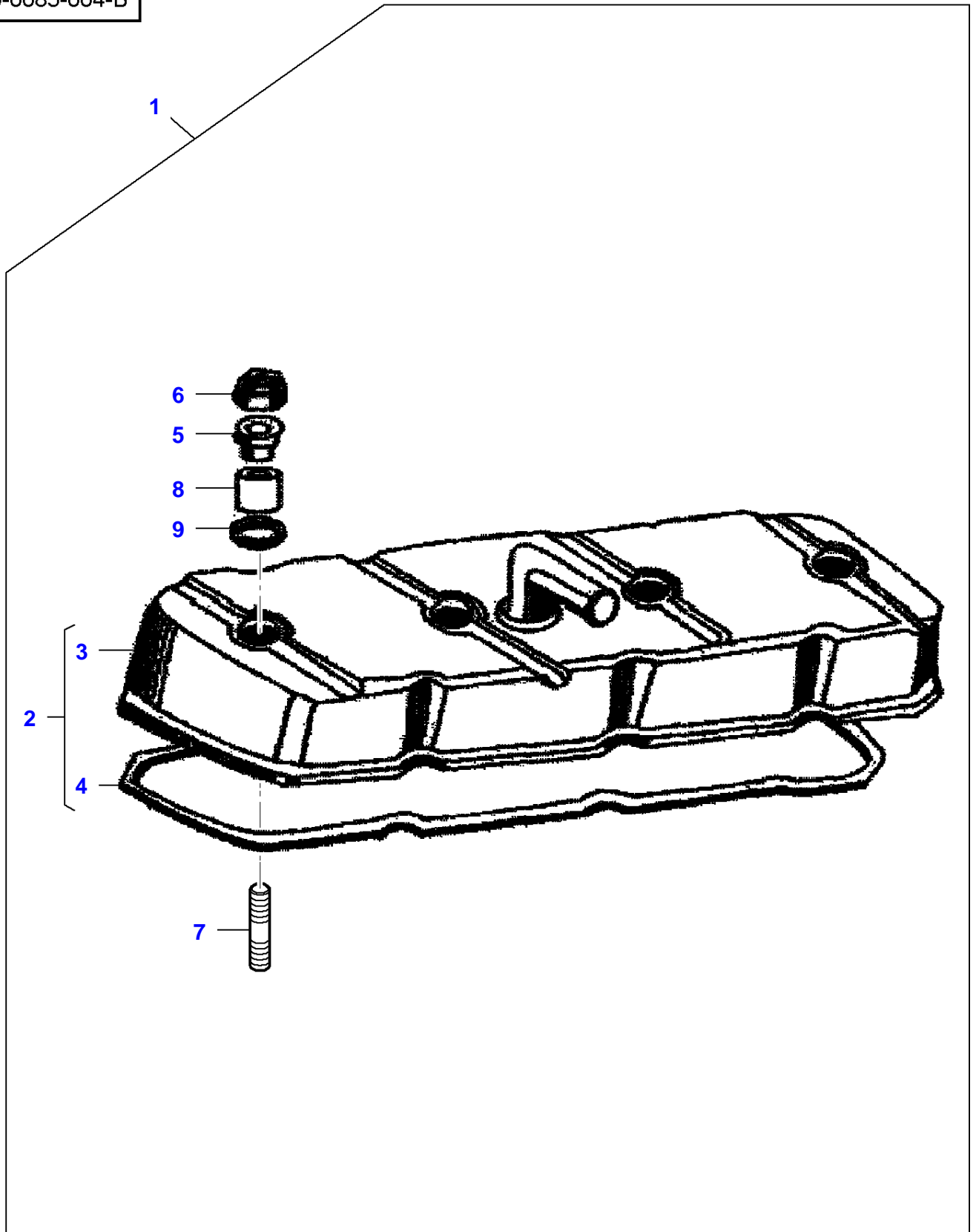
Item	Part Number	Qty	Description Comments	Technical Specification
1	3905279M91	1	CYLINDER HEAD INCLUDES ITEMS 2-10	
2	731155M1	12	COTTER	
3	731354M1	7	PLUG	
4	3904958M1	6	GUIDE	
	ACPO300950	X	GUIDE	PRE-FINISHED
5	731856M1	2	PLUG	
6	3904989M1	6	SEAL	
7	3904999M1	6	SPRING	
8	747697M1	6	CAP	
9	3905253M1	3	EXHAUST VALVE	
10	3905252M1	3	INLET VALVE	
11	737645M1	6	WASHER	
13	3904959M1	3	INSERT	
14	3904960M1	3	INSERT	
15	3905251M1	6	TAPPET	
16	3904995M1	8	HEX CAP SCREW	
17	3904996M1	4	HEX CAP SCREW	
18	3604678M1	1	PLATE	
19	3604724M1	4	STUD BOLT	
20	3604675M1	6	FLAT WASHER	
21	3604702M1	4	LOCKNUT	
22	3905259M1	1	PLATE	
23	3904964M1	1	JOINT	
24	4224584M1	1	PLUG	
25	3906579M1	1	BODY	
26	3904994M1	2	HEX CAP SCREW	
27	3604710M1	2	HEX CAP SCREW	
	3908885M1	2	HEXAGON FLANGE BOLT WITH 2 SPEED IPTO	M8 X 1.25 X 80 X 22 朧SO 10.9
28	353446X1	4	LOCK WASHER	5/16"
29	3905283M1	1	THERMOSTAT	
30	4222057M1	1	JOINT	
31	3905510M1	1	CONNECTION	
32	3905511M1	2	STUD BOLT	
33	3904956M1	2	SPACER	
34	3904986M1	6	ROD	
35	3905285M1	1	TEMPERATURE SENSOR.	

0-0569-015-A



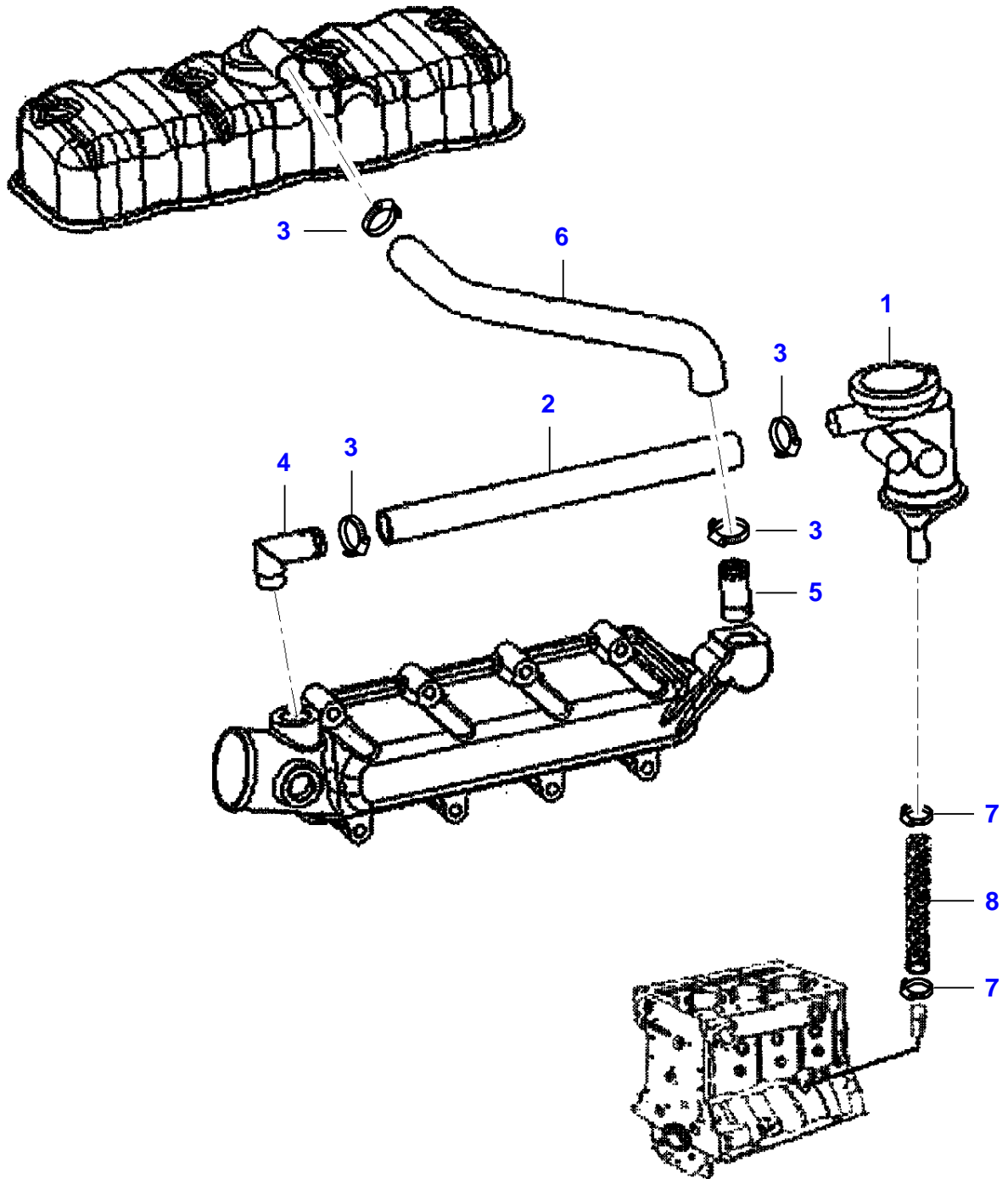
Item	Part Number	Qty	Description Comments	Technical Specification
1	3905262M91	1	ROCKER SHAFT INCLUDES ITEMS 2-7	
2	731330M1	2	PLUG	
3	3905263M91	6	ROCKER ARM INCLUDES ITEMS 4	
4	3904941M1	1	BUSH	
	3905475M1	1	ROCKER ARM	
5	3905000M1	3	SPRING	
6	3905581M1	4	ROCK.ARM BRACKET	
7	3904997M1	1	ROCKER SHAFT	
8	1650484M1	8	LOCK WASHER	5/16"
9	3904993M1	8	HEX CAP SCREW	
10	3904987M1	6	GRUB SCREW	
11	3904975M1	6	LOCKNUT	
12	3904986M1	6	ROD	
13	3905251M1	6	TAPPET	
14	3905249M1	4	STUD BOLT	

0-0085-004-B



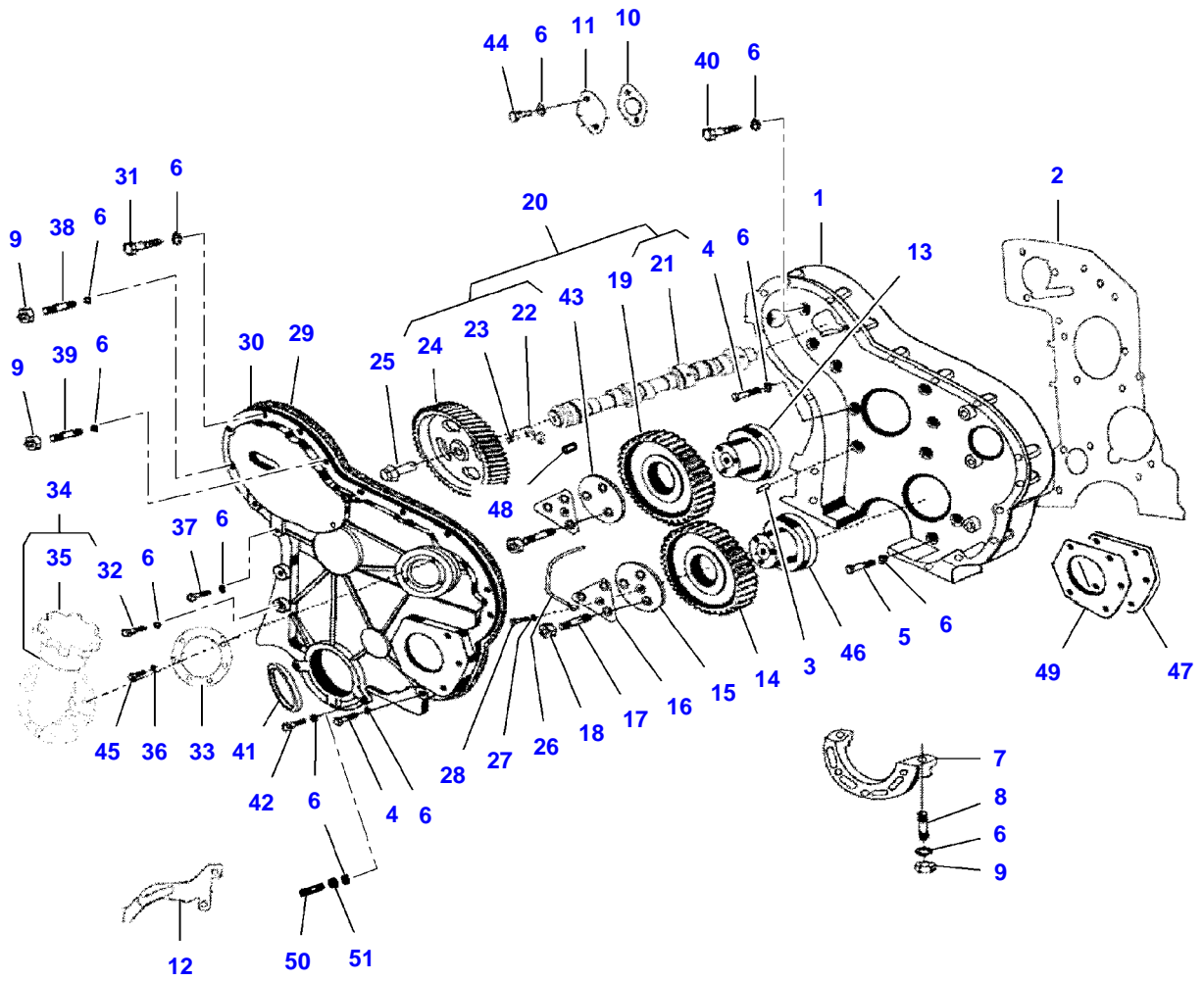
Item	Part Number	Qty	Description Comments	Technical Specification
1	NS	X	NON-SERVICEABLE PART KIT, CYL COVER INCLUDES ITEMS 2-7 DETAILS ORDER	
2	3906961M91	1	KIT, CYL COVER	
3	3906590M91	1	CYLINDER HEAD COVER.	
4	3906591M1	1	COVER GASKET	
5	3906540M1	4	RUBBER SEAL	
6	3637137M1	4	NUT	M8
7	3905249M1	4	STUD BOLT	
8	3906584M1	4	SLEEVE	
9	3905461M1	4	SEALING WASHER	

0-0614-001-A



Item	Part Number	Qty	Description Comments	Technical Specification
1	3905267M1	1	BREATHER	
2	3904977M1	1	HOSE	
3	3641405M1	4	HOSE CLIP	?16-27 X 13 MM
4	3904979M1	1	ELBOW	
5	3904980M1	1	PIPE	
6	3904981M1	1	HOSE	
	3906859M1	1	HOSE WITH 2 SPEED IPTO	
7	375790X1	2	HOSE CLIP	DIAM 12-22 MM
8	3904978M1	1	HOSE	

MF 2615 GE TRACTOR - MADE IN INDIA FOR TURKEY
8018465-F0-1



Item	Part Number	Qty	Description Comments	Technical Specification
1	3905371M1	1	TIMING CASE	
2	3908968M1	1	GASKET	
3	731344M1	2	DOWEL	
4	3604709M1	18	HEX CAP SCREW UP TO ENGINE S/N SJ327 45285	
	3604709M1	8	HEX CAP SCREW FROM ENGINE S/N SJ327 45286	
	3908883M1	10	HEXAGON FLANGE BOLT FROM ENGINE S/N SJ327 45286	M8 X 1.25 X 30 朧SO 10.9
5	3604660M1	1	HEX CAP SCREW	
6	353446X1	42	LOCK WASHER	5/16"
7	3604461M1	1	BRIDGE PIECE	
8	3604727M1	9	STUD BOLT	
9	3908887M1	11	HEX FLANGE NUT	M8 X 1 朧SO 8
10	4222913M1	1	JOINT	
11	3905855M1	1	BLANKING PLATE	
12	3905309M1	1	POINTER	
13	3905296M1	1	HUB TOP	
14	3905439M1	1	IDLER GEAR	
15	3905308M1	1	PLATE	
16	3905306M1	2	TAB WASHER	
17	3905303M1	6	STUD BOLT	
18	3604702M1	6	LOCKNUT	
19	3905868M1	1	IDLER GEAR	
20	3905582M1	1	KIT, SHAFT INCLUDES ITEMS 21-24	
21	NS	X	NON-SERVICEABLE PART CAMSHAFT ORDER ITEM 20	
22	3904954M1	2	THRUST WASHER	
23	3604656M1	2	HEX CAP SCREW	
24	3904935M1	1	GEAR,CAMSHAFT	
25	3637082M1	1	HEXAGON FLANGE BOLT	
26	3905311M91	1	PIPE	
27	3604672M1	2	SEALING WASHER	
28	3905290M1	1	BANJO BOLT	
29	3905297M1	1	JOINT	
30	3906547M1	1	TIMINGGEAR COVER	
31	3604709M1	10	HEX CAP SCREW UP TO ENGINE S/N SJ327 45285	
	3908883M1	10	HEXAGON FLANGE BOLT FROM ENGINE S/N SJ327 45286	M8 X 1.25 X 30 朧SO 10.9
32	3604710M1	1	HEX CAP SCREW UP TO ENGINE S/N SJ327 45285	
	3908885M1	1	HEXAGON FLANGE BOLT FROM ENGINE S/N SJ327 45286	M8 X 1.25 X 80 X 22 朧SO 10.9
	3905300M1	1	HEX CAP SCREW UP TO ENGINE S/N SJ327 45285	
	3908886M1	1	HEXAGON FLANGE BOLT FROM ENGINE S/N SJ327 45286	M8 X 1.25 X 70 X 22 朧SO 10.9
33	3904971M1	1	JOINT	
34	3905281M91	1	OIL FILLER INCLUDES ITEMS 35 UP TO ENGINE S/N SJ327 28591	
	ACP0312230	1	OIL FILLER FROM ENGINE S/N SJ327 28592	



Suggest:

For more complete manuals. Please go to the home page.

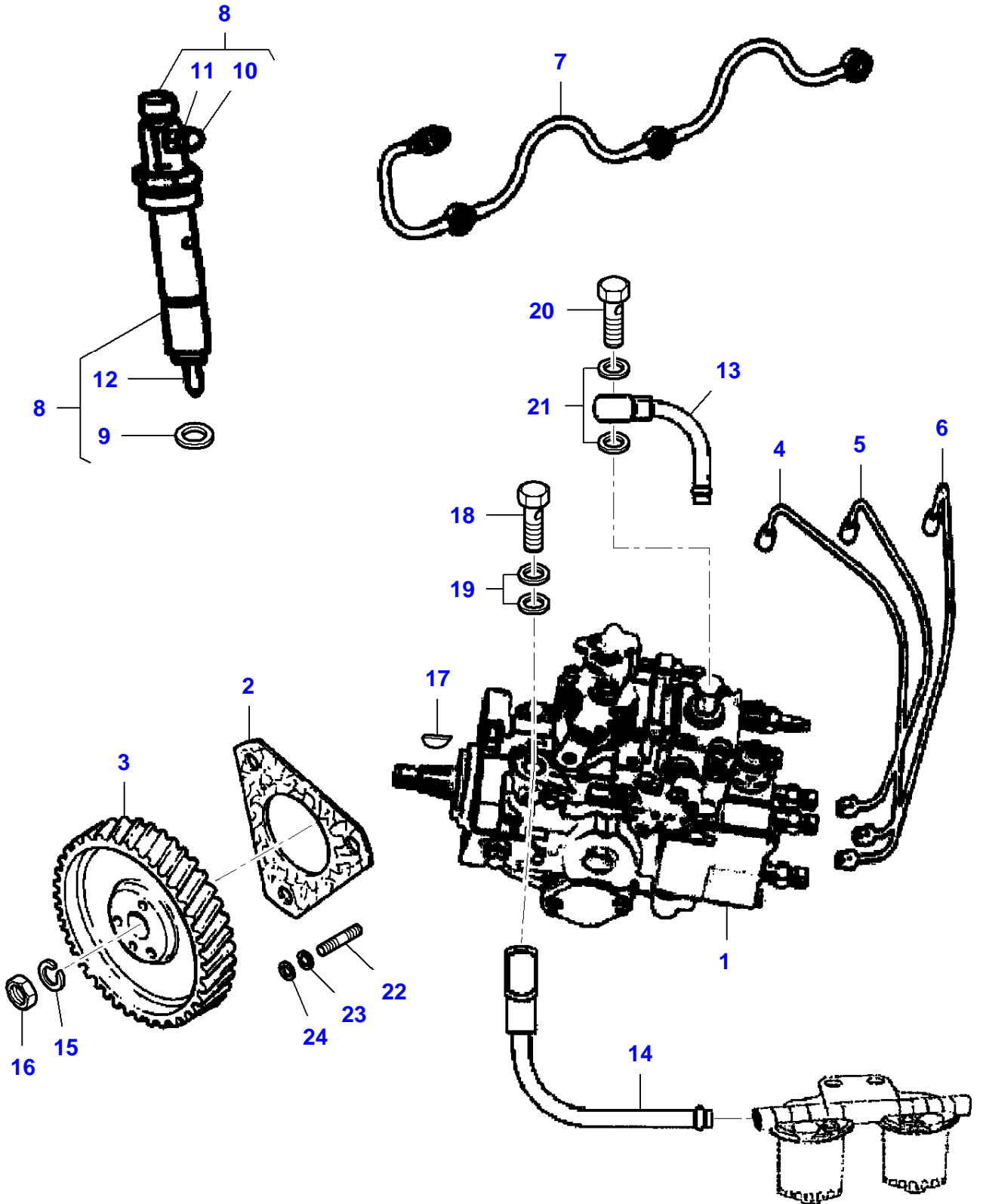
<https://www.ebooklibonline.com>

If the above button click is invalid. Please download this document first, and then click the above link to download the complete manual.

Thank you so much for reading

Item	Part Number	Qty	Description Comments	Technical Specification
35	3641889M1	1	CAP UP TO ENGINE S/N SJ327 28591	
36	353445X1	6	LOCK WASHER	N?0 ZN
37	3604713M1	6	HEXAGONAL HEAD BOLT UP TO ENGINE S/N SJ327 45285	M8 X 30
37	3908883M1	6	HEXAGON FLANGE BOLT FROM ENGINE S/N SJ327 45286	M8 X 1.25 X 30 朧SO 10.9
38	3905515M1	3	STUD BOLT	
39	3905247M1	4	STUD BOLT	
40	3604718M1	3	HEX CAP SCREW	
41	1447689M1	1	SEAL	
42	3604709M1	3	HEX CAP SCREW UP TO ENGINE S/N SJ327 32624	
42	3604709M1	2	HEX CAP SCREW FROM ENGINE S/N SJ327 32625	
42	3908884M1	3	HEXAGON FLANGE BOLT WITH 2 SPEED IPTO	M8 X 1.25 X 40 X 22 朧SO 10.9
43	3905307M1	1	PLATE	
44	3604728M1	4	STUD BOLT	
45	3604708M1	6	HEX CAP SCREW UP TO ENGINE S/N SJ327 45285	
45	3908888M1	6	HEXAGON FLANGE BOLT FROM ENGINE S/N SJ327 45286	M6 X 1 X 10 朧SO 10.9
46	3905441M1	1	GEAR BOTTOM	
47	NS	X	NON-SERVICEABLE PART	
48	731368M1	1	DOWEL	
49	NS	X	NON-SERVICEABLE PART	
50	3604665M1	1	STUD BOLT FROM ENGINE S/N SJ327 32625	
51	3604701M1	1	NUT FROM ENGINE S/N SJ327 32625 UP TO ENGINE S/N SJ327 45285	
51	3908887M1	1	HEX FLANGE NUT FROM ENGINE S/N SJ327 45286	M8 X 1 朧SO 8

0-0587-022-B



<https://www.ebooklibonline.com>

Hello dear friend!

Thank you very much for reading.

Enter the link into your browser.

The full manual is available for immediate download.

<https://www.ebooklibonline.com>