

Page Number	Page Title	Page Reference
01-000-TOC	ENGINE, FUEL AND EXHAUST SYSTEM	01-000-TOC
02-000-TOC	FRAME AND SUSPENSION	02-000-TOC
03-000-TOC	STEERING SYSTEM	03-000-TOC
04-000-TOC	DRIVE TRAIN SYSTEM	04-000-TOC
05-000-TOC	ELECTRICAL SYSTEM	05-000-TOC
06-000-TOC	PLATFORM	06-000-TOC
07-000-TOC	CHASSIS	07-000-TOC
08-000-TOC	LINKAGE	08-000-TOC
09-000-TOC	GENERAL INFORMATION	09-000-TOC

Page Number	Page Title	Page Reference
01-0001	ENGINE	00110001-1
01-0002	FLYWHEEL	00950002-1
01-0003	ENGINE 2318P00301 - LIST N?043 FLYWHEEL	2194186
01-0004	ENGINE ACP0293270 - LIST N?073 ENGINE - CYLINDER-BLOCK	05600013-1
01-0005	ENGINE 2318P00301 - LIST N?043 ENGINE - CYLINDER BLOCK	2188581
01-0006	ENGINE ACP0293270 - LIST N?073 ENGINE - CRANKSHAFT, PISTONS & PISTON ROD	05630011-1
01-0007	ENGINE - CYLINDER HEAD	05660011-1
01-0008	ENGINE 2318P00301 - LIST N?043 ENGINE - CYLINDER HEAD	2188873
01-0009	ENGINE ACP0293270 - LIST N?073 ENGINE - INTAKE VALVE, EXHAUST VALVE & CAMSHAFT	05690011-1
01-0010	ENGINE 2318P00301 - LIST N?043 ENGINE - INTAKE VALVE, EXHAUST VALVE & CAMSHAFT	2188878
01-0011	ENGINE ACP0293270 - LIST N?073 ENGINE - CYLINDER HEAD COVER - UP TO ENGINE S/N SJ327 - 06168	00850002-1
01-0012	ENGINE 2318P00301 - LIST N?043 ENGINE - CYLINDER HEAD COVER - FROM ENGINE S/N SJ327 - 06169	00850004-1
01-0013	ENGINE 2318P00301 - LIST N?043 ENGINE - CYLINDER HEAD COVER	2189747
01-0014	ENGINE ACP0293270 - LIST N?073 ENGINE - BREATHER	06140001-1
01-0015	ENGINE 2318P00301 - LIST N?043 ENGINE - BREATHER	2188861
01-0016	ENGINE ACP0293270 - LIST N?073 ENGINE - TIMING GEAR HOUSING	05720013-1
01-0017	ENGINE 2318P00301 - LIST N?043 ENGINE - TIMING GEAR HOUSING	2188666
01-0018	ENGINE ACP0293270 - LIST N?073 ENGINE - INJECTION PUMP	05870022-1
01-0019	ENGINE - FEED PUMP - FUEL SUPPLY PUMP	05870018-1
01-0020	ENGINE 2318P00301 - LIST N?043 ENGINE - FEED PUMP	2194142
01-0021	ENGINE ACP0293270 - LIST N?073 ENGINE - FUEL LINE & FILTER	06700007-1
01-0022	ENGINE - OIL SUMP	04400008-1
01-0023	ENGINE 2318P00301 - LIST N?043 ENGINE - OIL SUMP	2188713
01-0024	ENGINE ACP0293270 - LIST N?073 ENGINE - OIL PUMP	04500001-1
01-0025	ENGINE 2318P00301 - LIST N?043 ENGINE - OIL PUMP	2188712
01-0026	ENGINE ACP0293270 - LIST N?073 ENGINE - OIL FILTER	04450001-1
	ENGINE 2318P00301 - LIST N?043	

Page Number	Page Title	Page Reference
01-0027	ENGINE - OIL FILTER ENGINE ACP0293270 - LIST N?073	2194049
01-0028	ENGINE - WATER PUMP ENGINE 2318P00301 - LIST N?043	02750004-1
01-0029	ENGINE - WATER PUMP ENGINE ACP0293270 - LIST N?073	2193981
01-0030	ENGINE - INTAKE & EXHAUST MANIFOLD ENGINE 2318P00301 - LIST N?043	03050015-1
01-0031	ENGINE - INTAKE & EXHAUST MANIFOLD ENGINE ACP0293270 - LIST N?073	2188720
01-0032	ENGINE - GASKET SET ENGINE 2318P00301 - LIST N?043	06010004-1
01-0033	ENGINE - GASKET SET ENGINE ACP0293270 - LIST N?073	2194272
01-0034	ENGINE - GEAR BOX ASSEMBLING	07100004-1
01-0035	ELECTRICAL EQUIPMENT	01500020-1
01-0036	ALTERNATOR & BRACKET	01550005-1
01-0037	ALTERNATOR & BRACKET - WITH SHELL FENDERS FROM MACHINE S/N FX-746449	2315585
01-0038	STARTER	01800004-1
01-0039	STARTER	2173502
01-0040	BATTERY	02300009-1
01-0041	FAN	02700005-1
01-0042	COOLING SYSTEM	02600012-1
01-0043	COOLING SYSTEM - WITH SHELL FENDERS FROM MACHINE S/N FX-746449	2314886
01-0044	COOLING SYSTEM - WITH SHELL FENDERS FROM MACHINE S/N FX-746449	2314887
01-0045	FUEL SYSTEM - TANK & ATTACHMENTS - UP TO MACHINE S/N 537952	03850015-1
01-0046	FUEL SYSTEM - TANK & ATTACHMENTS - FROM MACHINE S/N 537953 - UP TO MACHINE S/N MEA045C0TA1078674 WITH HORIZONTAL EXHAUST	03850026-1
01-0047	FUEL SYSTEM - TANK & ATTACHMENTS - FROM MACHINE S/N 537953 - UP TO MACHINE S/N MEA045C0TA1078674 WITH HORIZONTAL EXHAUST	03850027-1
01-0048	FUEL SYSTEM - TANK & ATTACHMENTS - FROM MACHINE S/N MEA045C0TA1078675 WITH HORIZONTAL EXHAUST	2169239
01-0049	FUEL SYSTEM - TANK & ATTACHMENTS - FROM MACHINE S/N MEA045C0TA1078675 WITH HORIZONTAL EXHAUST	2169240
01-0050	AIR FILTER	02900010-1
01-0051	AIR FILTER - WITH SHELL FENDERS FROM MACHINE S/N FX-746449	2314921
01-0052	AIR FILTER - (COMPONENTS)	02900012-1
01-0053	EXHAUST - HORIZONTAL	03250014-1
01-0054	EXHAUST - HORIZONTAL - WITH SHELL FENDERS FROM MACHINE S/N FX-746449	2314681
01-0055	EXHAUST - VERTICAL	03200011-1
01-0056	THROTTLE CONTROL - WITH SHELL FENDERS / WITH FLAT TOP FENDERS & VERTICAL EXHAUST	05000021-1
01-0057	THROTTLE CONTROL - WITH FLAT TOP FENDERS & HORIZONTAL EXHAUST	2006535
01-0058	INSTRUMENT PANEL & SWITCHES - UP TO SERIAL OR ENGINE NUMBER 534014	05150008-1
01-0059	INSTRUMENT PANEL & SWITCHES - FROM SERIAL OR ENGINE NUMBER 534015	05150010-1

<https://www.ebooklibonline.com>

Hello dear friend!

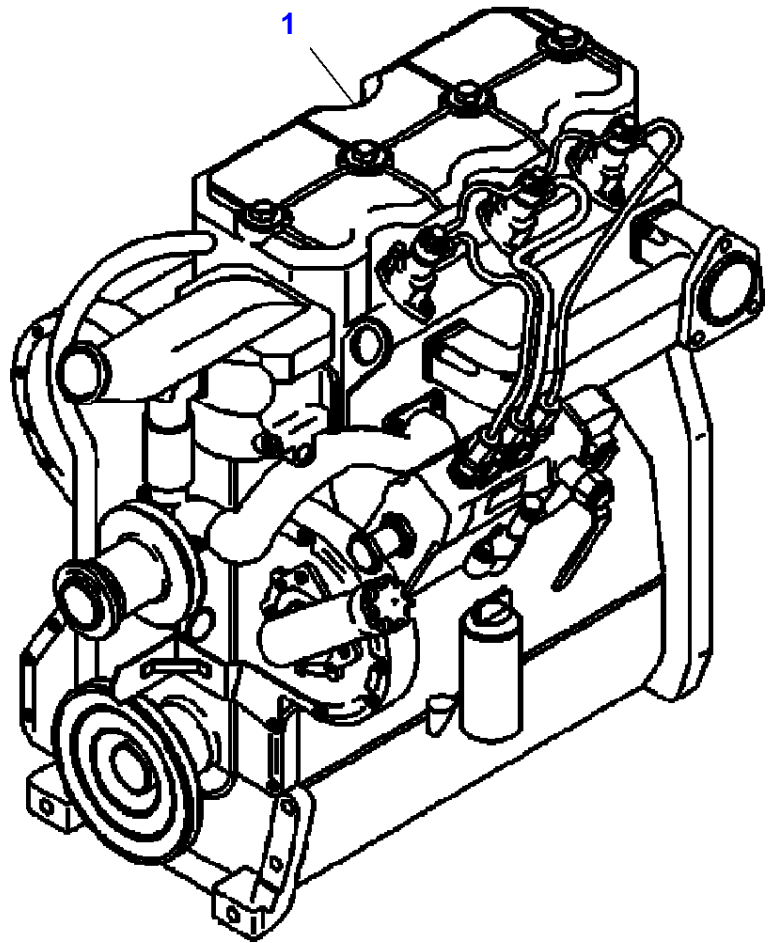
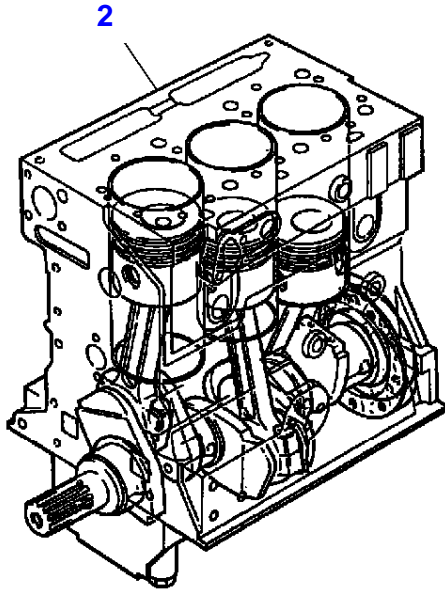
Thank you very much for reading.

Enter the link into your browser.

The full manual is available for immediate download.

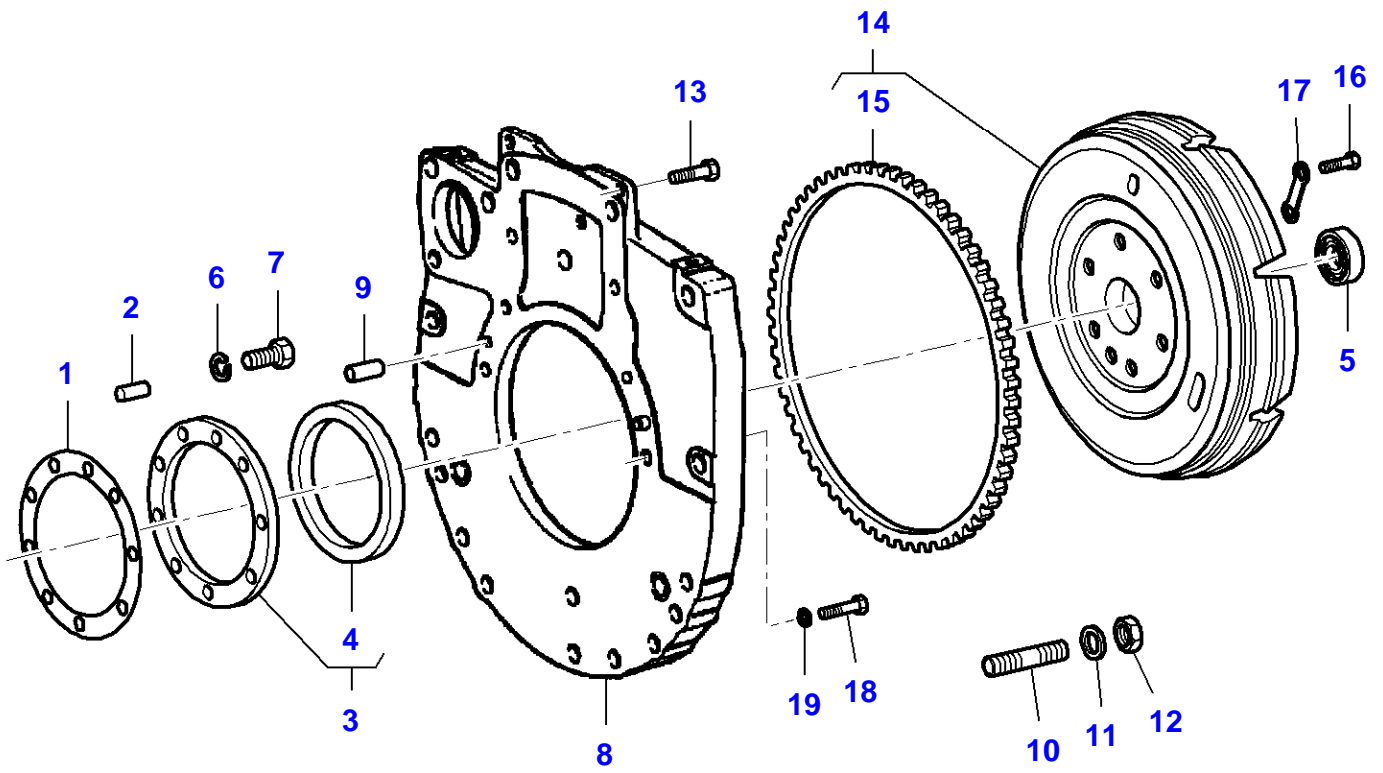
<https://www.ebooklibonline.com>

0-0011-001-A

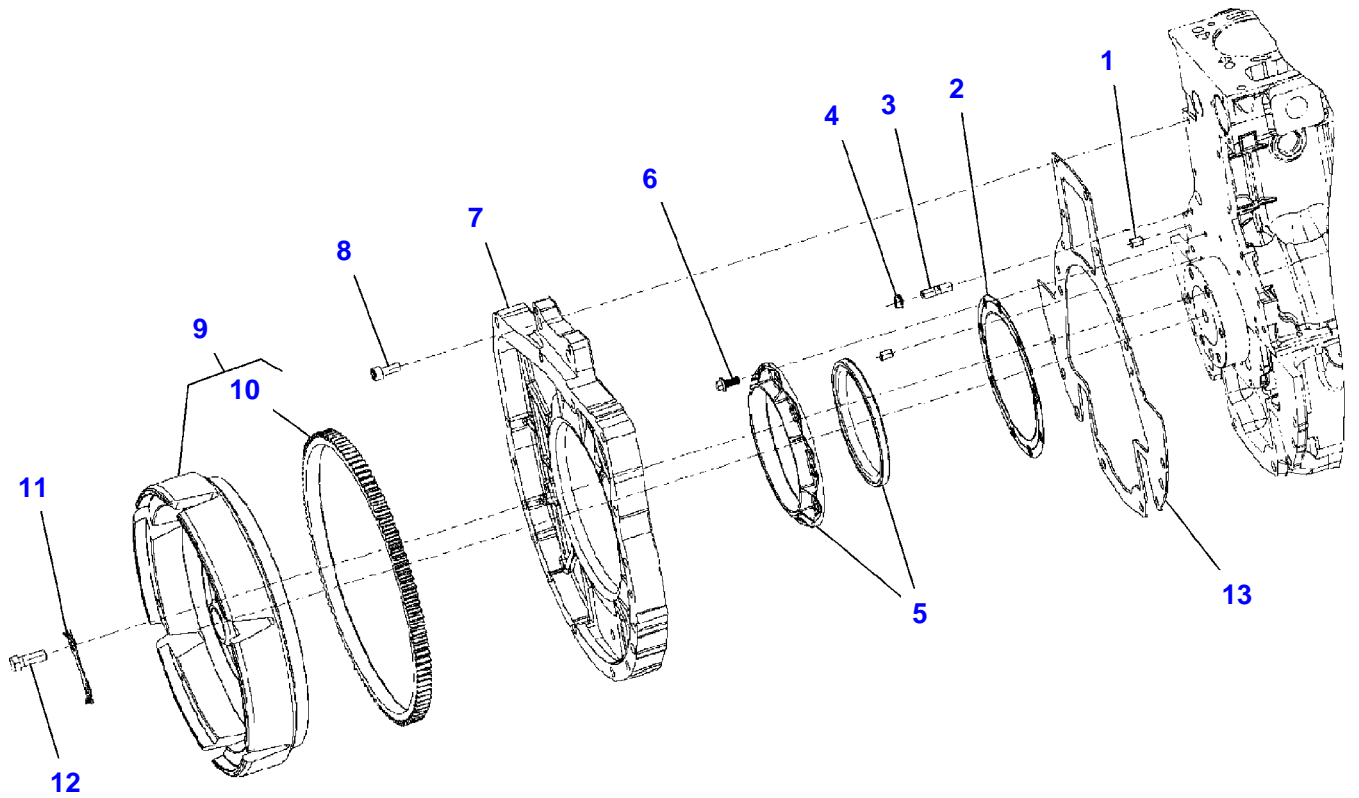


Item	Part Number	Qty	Description Comments	Technical Specification
1	2318P00301	1	ENGINE	SJ327E 49HP-7043
	2318P00301	1	ENGINE WITH SHELL FENDERS UP TO MACHINE S/N FX-746448	SJ327E 49HP-7043
	ACP0293270	1	ENGINE WITH SHELL FENDERS FROM MACHINE S/N FX-746449	SJ327E 50HP-7073
2	3906903M91	1	SHORT ENGINE	SJ327E

0-0095-002-C

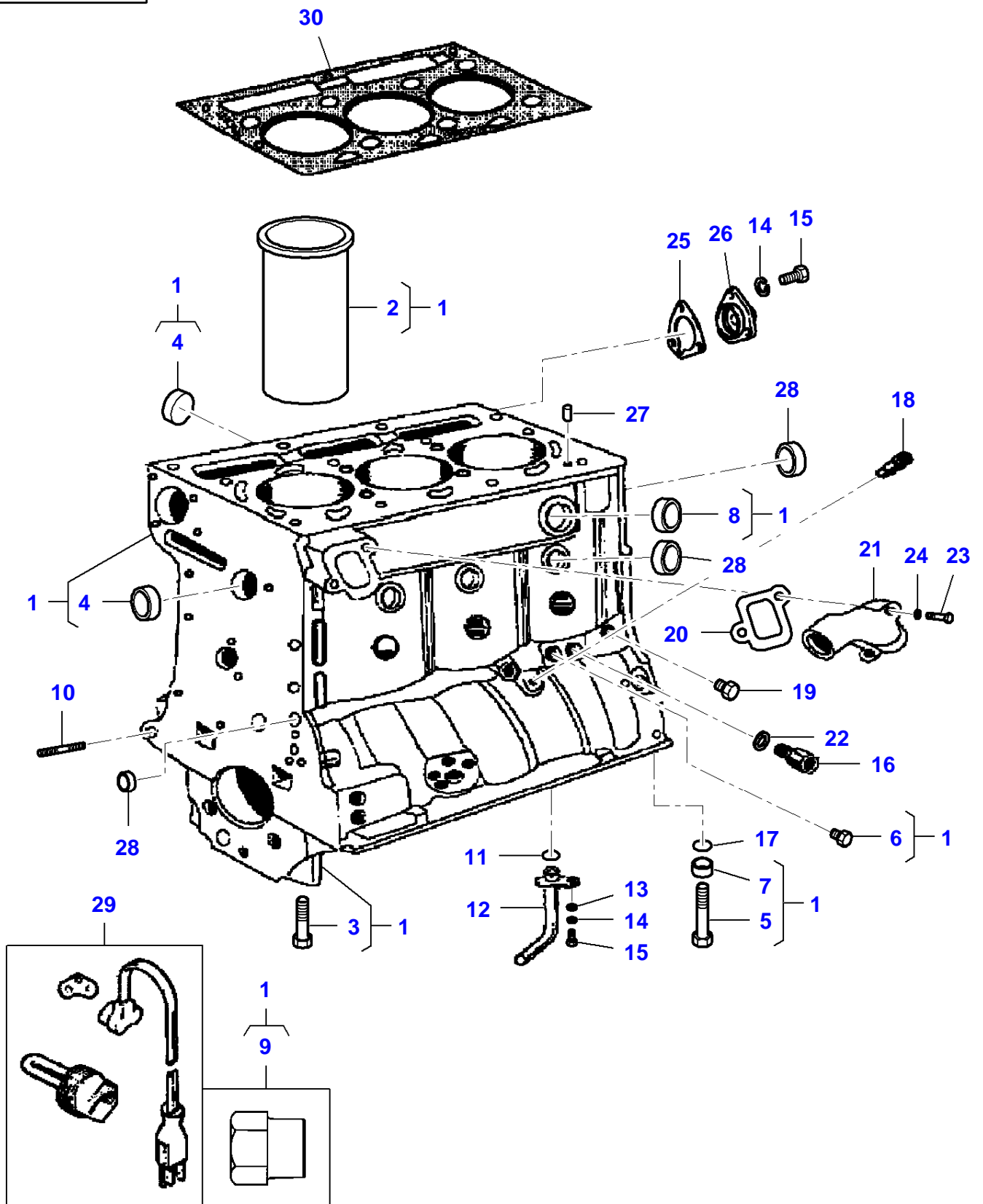


Item	Part Number	Qty	Description Comments	Technical Specification
ENGINE				
2318P00301 - LIST N?043				
1	3604480M1	1	JOINT	
2	731312M1	2	DOWEL	
3	3905763M91	1	KIT, HOUSING	
4	3904988M1	1	OIL SEAL	
5	828123M2	1	BEAR.6203 2Z UP TO MACHINE S/N FX-788256	
	4256612M1	1	BEARING FROM MACHINE S/N FX-788257	
6	1650484M1	9	LOCK WASHER	5/16"
7	3604656M1	9	HEX CAP SCREW	
8	3604646M1	1	FLYWHEEL HOUSING	
9	731344M1	2	DOWEL	
10	3604725M1	6	STUD BOLT	
11	3604675M1	6	FLAT WASHER	
12	3604702M1	6	LOCKNUT	
13	3604652M1	2	HEX CAP SCREW	
14	3408364M91	1	FLYWHEEL ASSY.	
15	731008M1	1	STARTER RING	
16	3604719M1	6	HEX CAP SCREW	M12 X 35 (1.25) ISO 10.9
17	731192M1	3	TAB WASHER	
18	339009X1	6	HEXAGONAL HEAD BOLT	M8 X 35 (1.25) ISO 8.8 ZN
19	339374X1	6	LOCKWASHER	M8 ZN

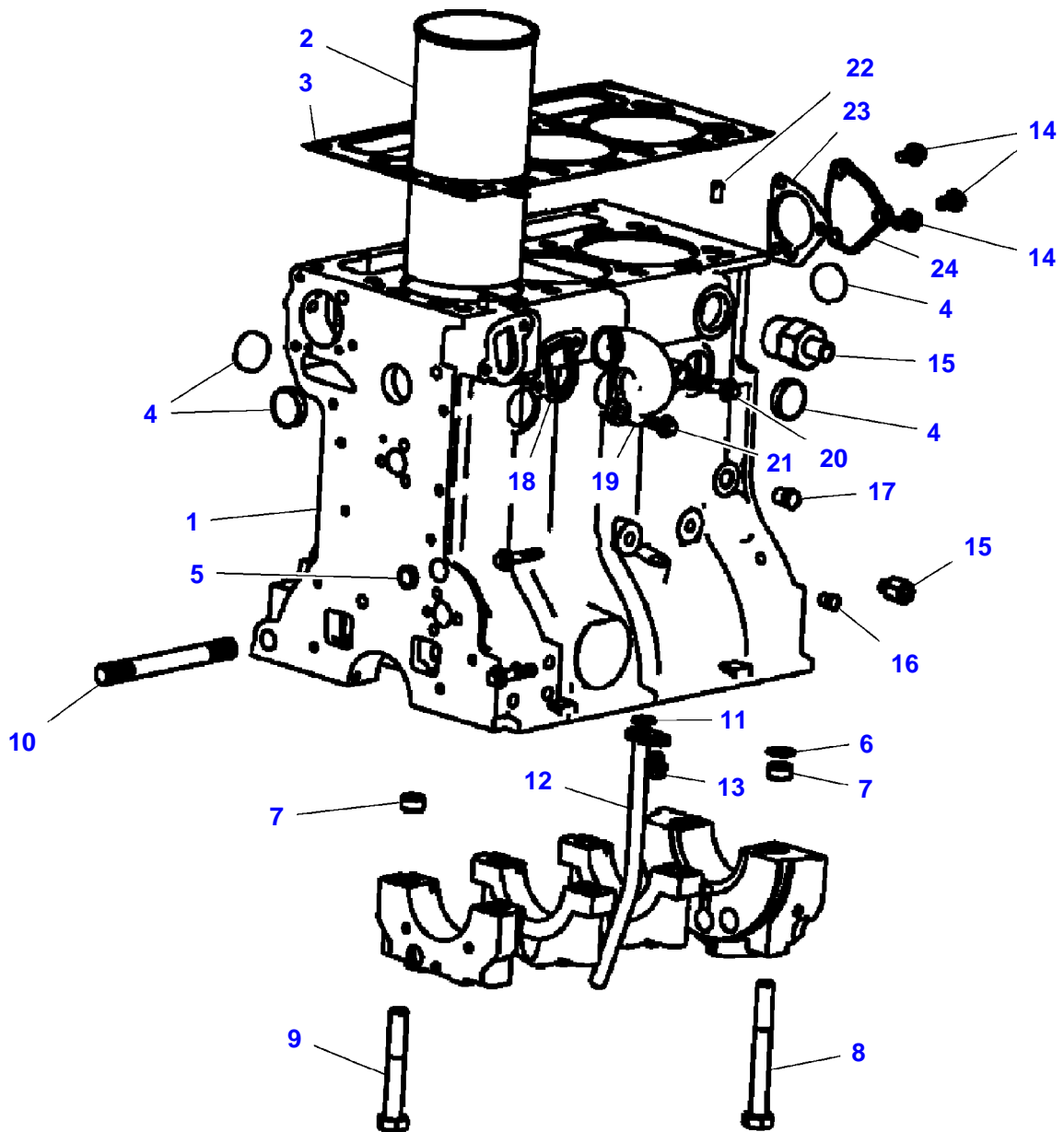


Item	Part Number	Qty	Description Comments	Technical Specification
ENGINE				
ACP0293270 - LIST N?073				
1	731344M1	2	DOWEL	
2	3908963M1	1	GASKET	
3	3604725M1	6	STUD BOLT	
4	ACP0224550	6	NUT	M10 X 10 (1.25)
5	3604446M91	1	KIT, HOUSING	
6	ACP0224580	9	BOLT	M8 X 20 (1.25) CL10.9
7	3604646M1	1	FLYWHEEL HOUSING	
8	3604652M1	2	HEX CAP SCREW	
9	3408364M91	1	FLYWHEEL ASSY. INCLUDES ITEMS 10	
10	731008M1	1	STARTER RING	
11	731192M1	3	TAB WASHER	
12	3604719M1	6	HEX CAP SCREW	M12 X 35 (1.25) ISO 10.9
13	3906592M1	1	JOINT	

0-0560-013-F

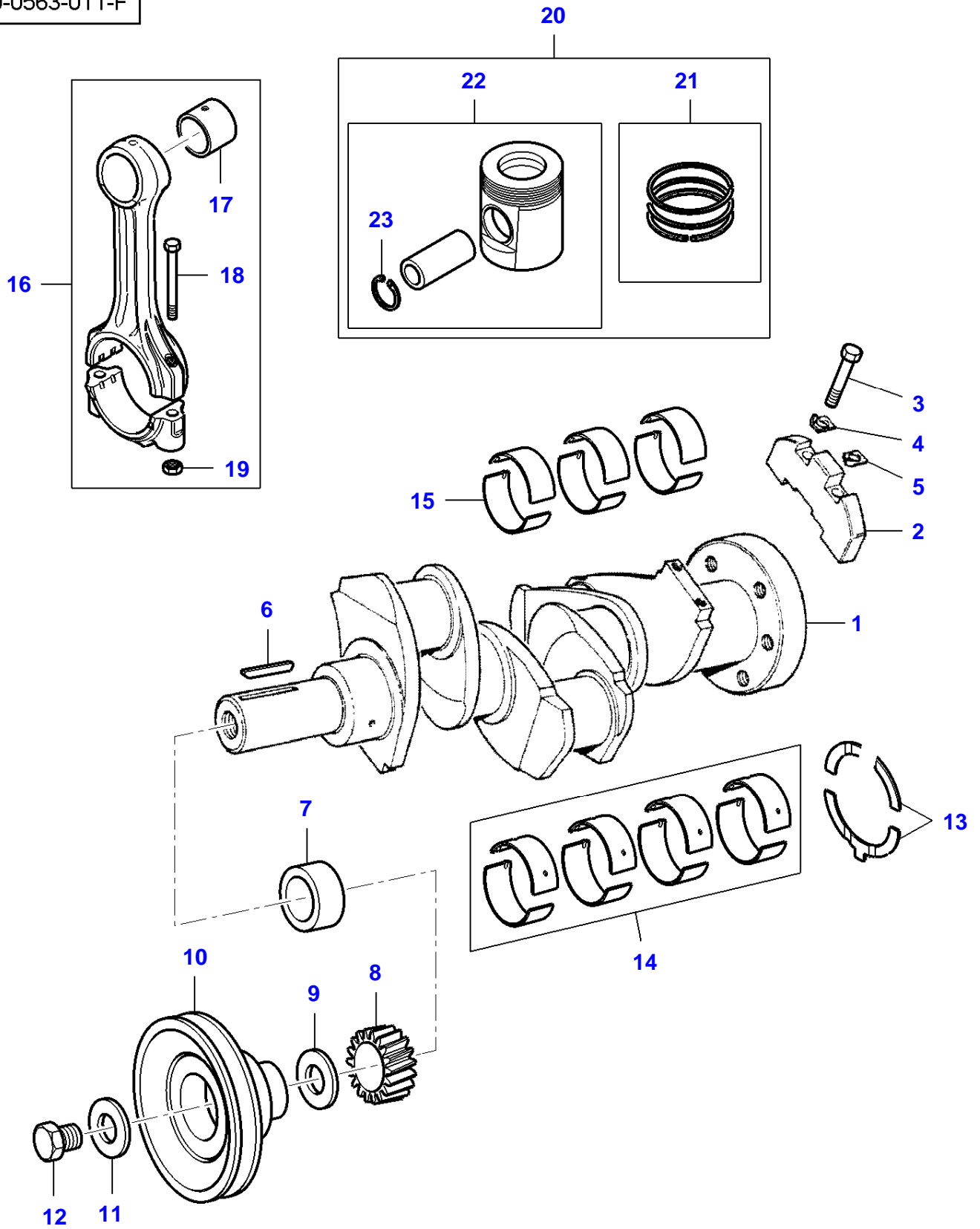


Item	Part Number	Qty	Description Comments	Technical Specification
ENGINE 2318P00301 - LIST N?043				
1	3905282M91	1	CYLINDER-BLOCK INCLUDES ITEMS 2-9	
2	3905776M1	3	LINER SEMI-FINISHED	
	3904972M1	3	LINER PRE-FINISHED NOT INCLUDED IN ASSEMBLY	
3	3604538M1	6	HEX CAP SCREW	
4	731354M1	5	PLUG	
5	3604537M1	2	HEX CAP SCREW	
6	3904982M1	1	PLUG	
7	3604536M1	8	THIMBLE	
8	733067M1	1	PLUG	
9	3904984M1	1	ADAPTER	F.3/4-14 NPSI/M 1"PTF
10	3905853M1	1	STUD BOLT	
11	3904991M1	1	O RING	
12	3905264M1	1	PIPE	
13	3905254M1	1	WASHER	
14	1650484M1	4	LOCK WASHER	5/16"
15	3604656M1	4	HEX CAP SCREW	
16	3904945M1	1	ADAPTER	
17	1447053M1	2	O RING	
18	3904976M1	1	PIPE	
19	376670X1	1	PLUG	
20	3904965M1	1	JOINT FROM ENGINE S/N SJ327 07942	
21	3906545M1	1	CONNECTION INCLUDES ITEMS 21 UP TO ENGINE S/N SJ327 07941	
	3906539M1	1	O RING UP TO ENGINE S/N SJ327 07941	
	3906583M1	1	CONNECTION FROM ENGINE S/N SJ327 07942	
22	3904857M1	1	SEALING WASHER	
23	3905301M1	2	HEX CAP SCREW	
24	375731X1	2	LOCK WASHER	
25	731209M1	1	JOINT	
26	3604677M1	1	COVER	
27	4222552M1	2	DOWEL	
28	3904983M1	3	PLUG	
29	773323M92	1	HEATER	
30	3904967M1	1	CYLINDER HEAD GASKET UP TO MACHINE S/N FW-661328	
	3906992M1	1	CYLINDER HEAD GASKET FROM MACHINE S/N FW-661329	



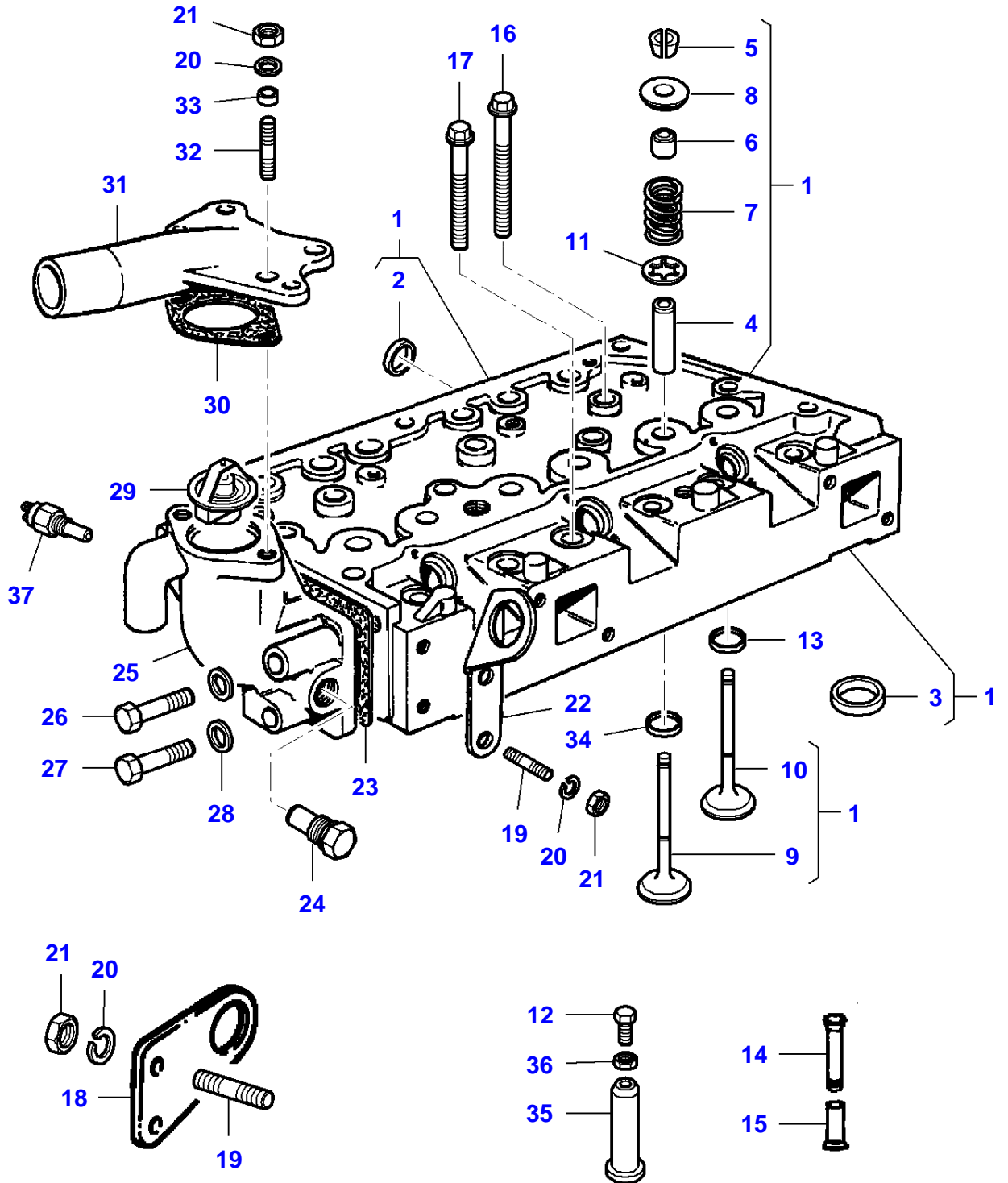
Item	Part Number	Qty	Description Comments	Technical Specification
ENGINE				
ACP0293270 - LIST N?073				
1	3905282M91	1	CYLINDER-BLOCK	
2	3905776M1	3	LINER	
3	3906992M1	1	CYLINDER HEAD GASKET	
4	731354M1	5	PLUG	
5	733067M1	1	PLUG	
6	1447053M1	2	O RING	
7	3604536M1	8	THIMBLE	
8	3604537M1	2	HEX CAP SCREW	
9	3604538M1	6	HEX CAP SCREW	
10	3905853M1	1	STUD BOLT	
11	3904991M1	1	O RING	
12	3905264M1	1	PIPE	
13	ACP0220530	1	BOLT	
14	ACP0224570	3	BOLT	M8 X 16 -10.9
15	3904945M1	1	ADAPTER	
16	3904982M1	1	PLUG	
17	376670X1	1	PLUG	
18	3908969M1	1	GASKET	
19	3906583M1	1	CONNECTION	
20	3908884M1	1	HEXAGON FLANGE BOLT	M8 X 1.25 X 40 X 22 跳SO 10.9
21	ACP0224580	1	BOLT	M8 X 20 (1.25) CL10.9
22	4222552M1	1	DOWEL	
23	3908965M1	1	GASKET	
24	3905996M1	1	PLATE	

0-0563-011-F



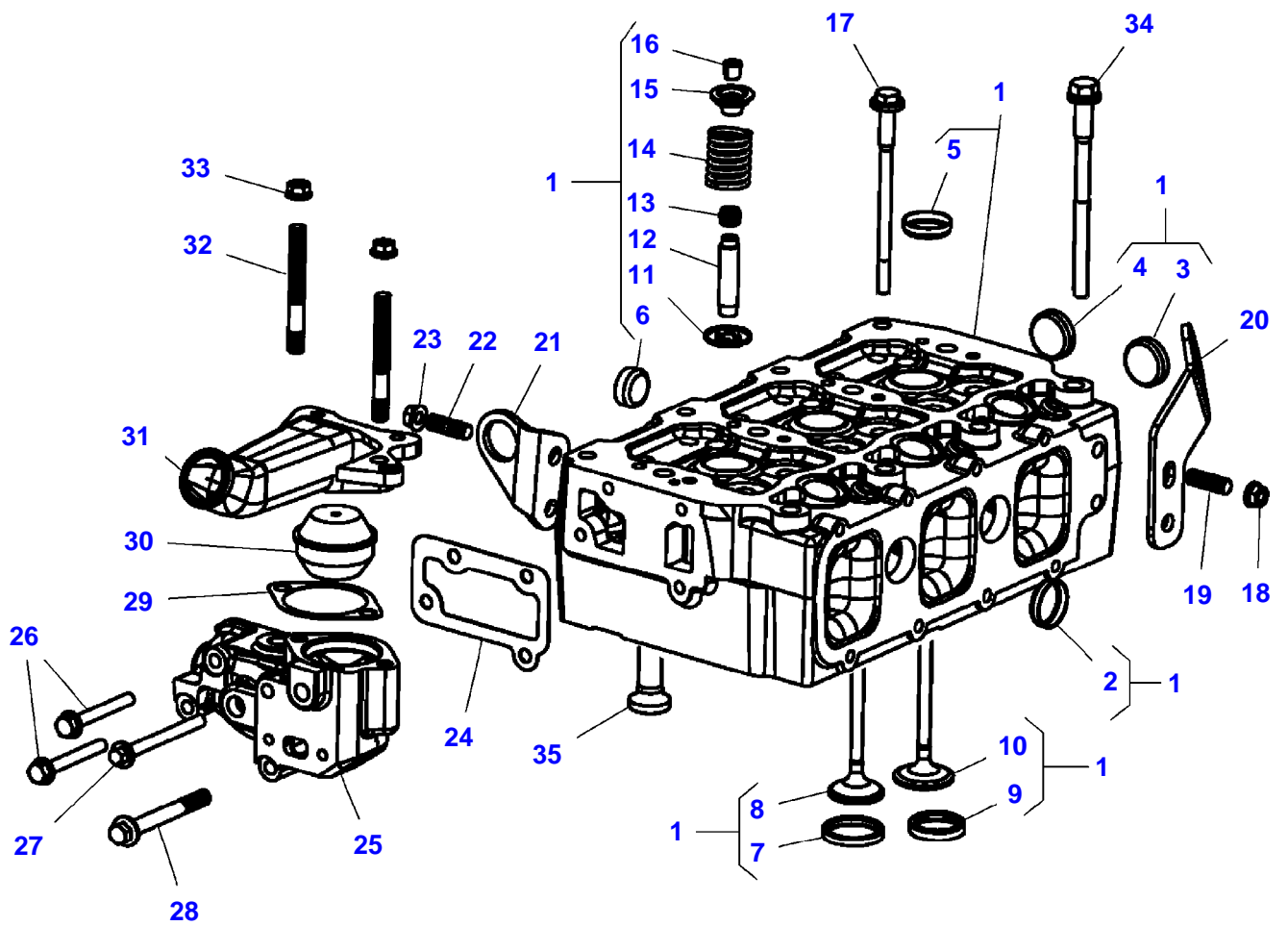
Item	Part Number	Qty	Description Comments	Technical Specification
1	3908623M91	1	CRANKSHAFT REPAIRS AND REPLACES 3904952M1	
2	745483M1	2	WEIGHT	
3	376546X1	4	HEX CAP SCREW	
4	733644M1	2	RIGHT HAND TAB WASHER	
5	733645M1	2	LEFT HAND TAB WASHER	
6	731076M1	1	WOODRUFF KEY	
7	3905291M1	1	SPACER ENGINE 2318P00301 - LIST N?043	
8	3905292M1	1	GEAR,CRANKSHAFT	
9	745057M1	1	WASHER	
10	3905512M1	1	CRANKSHAFT PULLEY	
11	731376M1	1	WASHER	
12	3604717M1	1	HEX CAP SCREW	
13	3604437M1	2	KIT, WASHER "STANDARD"	
	3604438M1	2	KIT, WASHER "OVERSIZE"	
14	3604429M1	1	MAIN BEARING	
	3604430M1	1	MAIN BEARING	S = -0.25MM/-0.010"
	3604431M1	1	MAIN BEARING	S = -0.50MM/-0.020"
	3604432M1	1	MAIN BEARING	S = -0.75MM/-0.030"
15	3604433M1	6	BEARING "Standard"	
	3604434M1	6	BEARING	S = -0.25MM/-0.010"
	3604435M1	6	BEARING	S = -0.50MM/-0.020"
	3604436M1	6	BEARING	S = -0.75MM/-0.030"
16	3604445M91	3	KIT, CONROD INCLUDES ITEMS 17-19	
17	740407M1	1	BUSH	
18	375756X1	2	HEX CAP SCREW	
19	3639947M1	2	NUT	7/16"-20
20	3905278M91	3	KIT, PISTON/RING INCLUDES ITEMS 21-23 ENGINE 2318P00301 - LIST N?043	
	3905746M91	3	KIT, PISTON/RING INCLUDES ITEMS 21-23 ENGINE ACP0293270 - LIST N?073	
21	3905261M91	1	KIT, RING ENGINE 2318P00301 - LIST N?043	
	3904925M91	1	KIT, PISTON RING ENGINE ACP0293270 - LIST N?073	
22	3905406M91	1	KIT, PISTON INCLUDES ITEMS 23	
	3905747M91	1	KIT, PISTON INCLUDES ITEMS 23 ENGINE ACP0293270 - LIST N?073	
23	375709X1	2	CIRCLIP	

0-0566-011-D



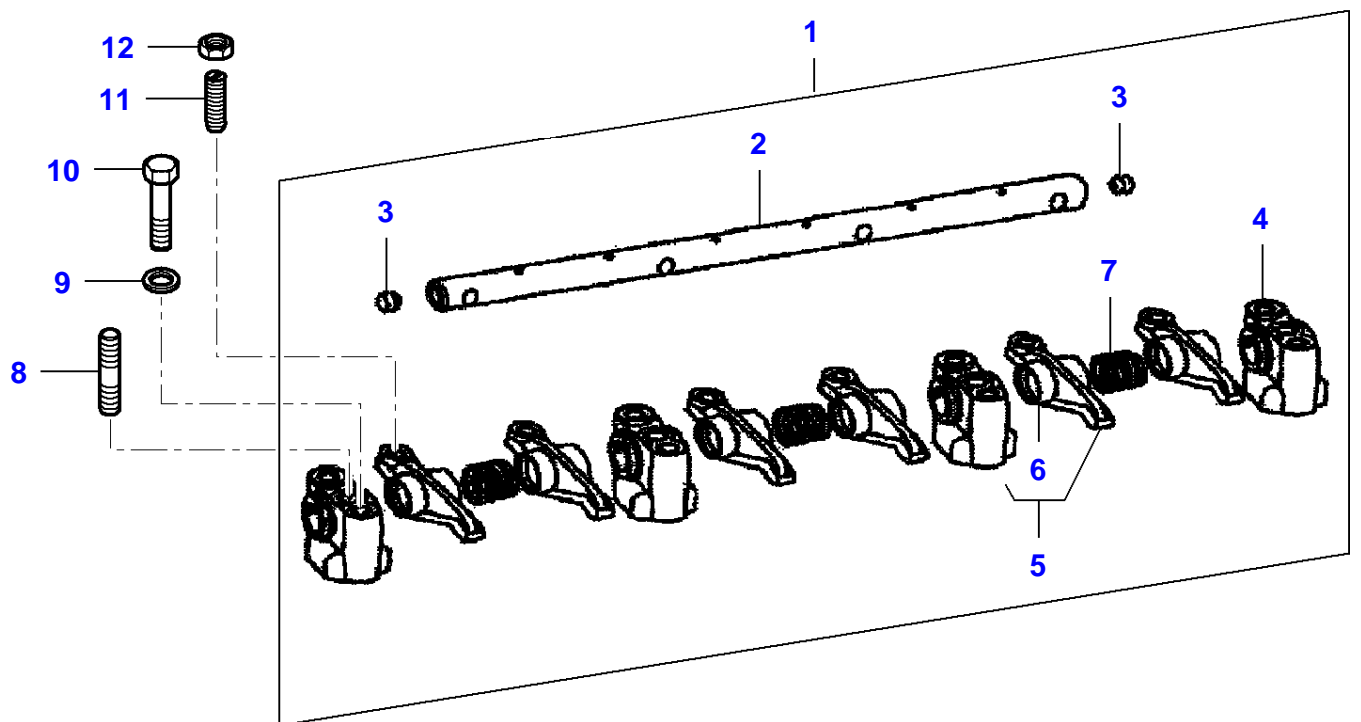
Item	Part Number	Qty	Description Comments	Technical Specification
ENGINE 2318P00301 - LIST N?043				
1	3905279M91	1	CYLINDER HEAD INCLUDES ITEMS 2-10	
2	731856M1	2	PLUG	
3	731354M1	7	PLUG	
4	3904958M1	6	GUIDE	
	ACP0300950	X	GUIDE	PRE-FINISHED
5	731155M1	12	COTTER	
6	3904989M1	6	SEAL	
7	3904999M1	6	SPRING	
8	731156M1	6	CAP	
9	3905253M1	3	EXHAUST VALVE	
10	3905252M1	3	INLET VALVE	
11	737645M1	6	WASHER	
12	3604476M1	6	SCREW	
13	3904959M1	3	INSERT	
14	3904986M1	6	ROD	
15	3905251M1	6	TAPPET	
16	3904995M1	8	HEX CAP SCREW	
17	3904996M1	4	HEX CAP SCREW	
18	3604678M1	1	PLATE	
19	3604724M1	4	STUD BOLT	
20	3604675M1	6	FLAT WASHER	
21	3604702M1	4	LOCKNUT	
22	3905259M1	1	PLATE	
23	3904964M1	1	JOINT	
24	4224584M1	1	PLUG	
25	3904942M1	1	BODY	
26	3904994M1	2	HEX CAP SCREW	
27	3604710M1	2	HEX CAP SCREW	
28	353446X1	4	LOCK WASHER	5/16"
29	3905283M1	1	THERMOSTAT	
30	4222057M1	1	JOINT	
31	3604456M1	1	CONNECTION	
32	3905511M1	2	STUD BOLT	
33	3904956M1	2	SPACER	
34	3904960M1	3	INSERT	
35	731150M1	6	TAPPET	
36	376123X1	6	LOCKNUT	
37	3905285M1	1	TEMPERATURE SENSOR.	

MF 240S TRACTOR - INDIA
17043791-F0-1

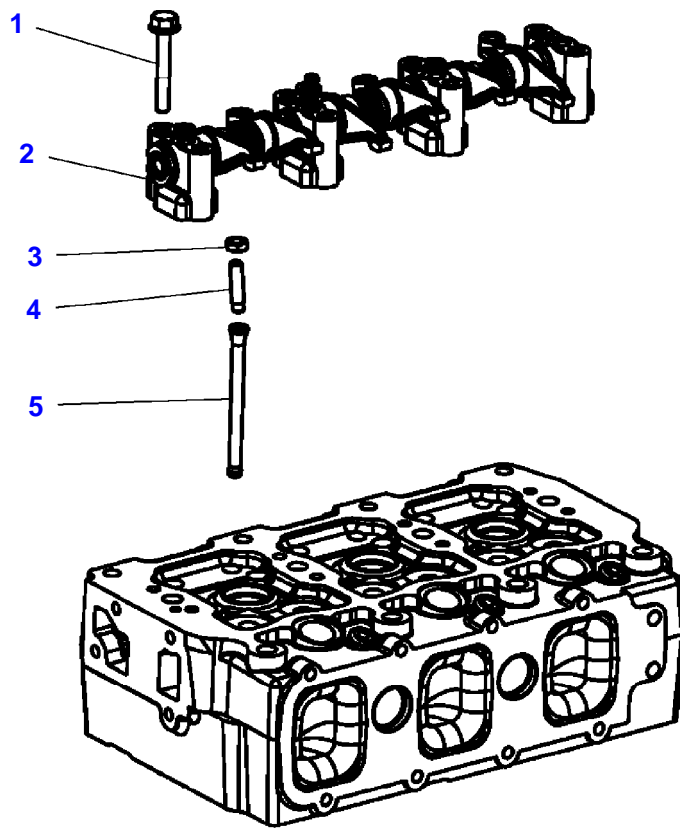


Item	Part Number	Qty	Description Comments	Technical Specification
ENGINE ACP0293270 - LIST N?073				
1	ACP0240630	1	KIT, CYL. HEAD INCLUDES ITEMS 2-16	
2	731354M1	2	PLUG	
3	731354M1	1	PLUG	
4	731354M1	1	PLUG	
5	731354M1	3	PLUG	
6	731856M1	2	PLUG	
7	3904959M1	3	INSERT	
8	3905252M1	3	INLET VALVE	
9	3904960M1	3	INSERT	
10	3905253M1	3	EXHAUST VALVE	
11	737645M1	6	WASHER	
12	3904958M1	6	GUIDE	
	ACP0300950	X	GUIDE	PRE-FINISHED
13	3904989M1	6	SEAL	
14	3904999M1	6	SPRING	
15	731156M1	6	CAP	
16	731155M1	12	COTTER	
17	3904995M1	8	HEX CAP SCREW	
18	ACP0224550	2	NUT	M10 X 10 (1.25)
19	3604724M1	2	STUD BOLT	
20	3604678M1	1	PLATE	
21	3905259M1	1	PLATE	
22	3604724M1	2	STUD BOLT	
23	ACP0224550	2	NUT	M10 X 10 (1.25)
24	3908970M1	1	GASKET	
25	ACP0224520	1	BODY	
26	ACP0224630	2	BOLT	M8 X 65
27	ACP0224620	1	BOLT	M8 X 90
28	3908885M1	1	HEXAGON FLANGE BOLT	M8 X 1.25 X 80 X 22 跳SO 10.9
29	3908773M1	1	JOINT	
30	3906514M1	1	THERMOSTAT	
31	3604456M1	1	CONNECTION	
32	3905511M1	1	STUD BOLT	
33	ACP0240650	2	NUT	M10 X 1.25
34	3904996M1	4	HEX CAP SCREW	
35	731150M1	6	TAPPET	

0-0569-011-A

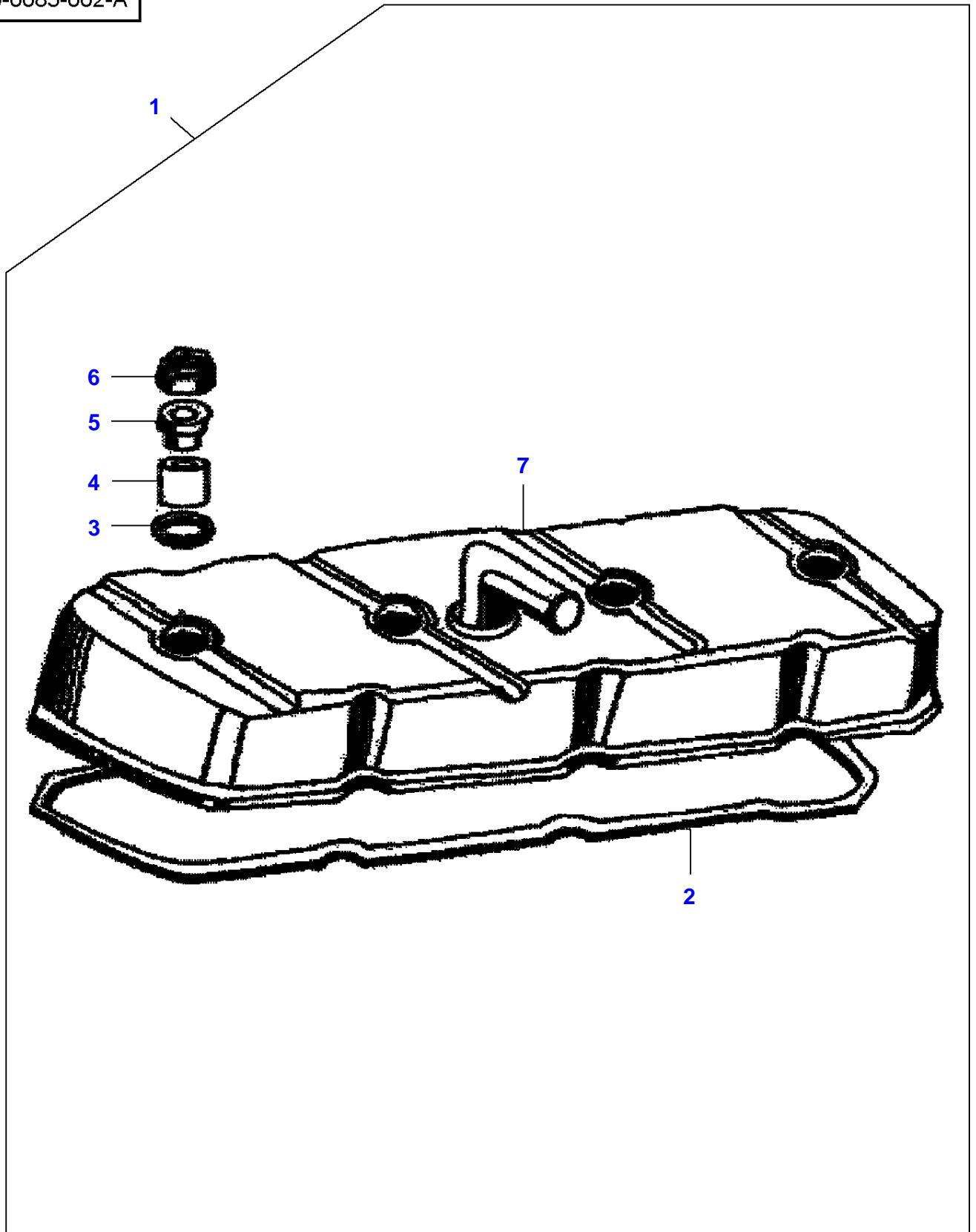


Item	Part Number	Qty	Description Comments	Technical Specification
			ENGINE 2318P00301 - LIST N?043	
1	3905262M91	1	ROCKER SHAFT INCLUDES ITEMS 2-7	
2	3904997M1	1	ROCKER SHAFT	
3	731330M1	2	PLUG	
4	3905581M1	4	ROCK.ARM BRACKET	
5	3905263M91	6	ROCKER ARM	
6	3904941M1	1	BUSH	
7	3905000M1	3	SPRING	
8	3905249M1	4	STUD BOLT	
9	353446X1	8	LOCK WASHER	5/16"
10	3904993M1	8	HEX CAP SCREW	
11	3904987M1	6	GRUB SCREW	
12	3904975M1	6	LOCKNUT	



Item	Part Number	Qty	Description Comments	Technical Specification
			ENGINE ACP0293270 - LIST N?073	
1	ACP0224650	8	BOLT	M8 X 60 -10.9
2	3905262M91	1	ROCKER SHAFT	
3	3904975M1	6	LOCKNUT	
4	3904987M1	6	GRUB SCREW	
5	3904986M1	6	ROD	

0-0085-002-A





Suggest:

For more complete manuals. Please go to the home page.

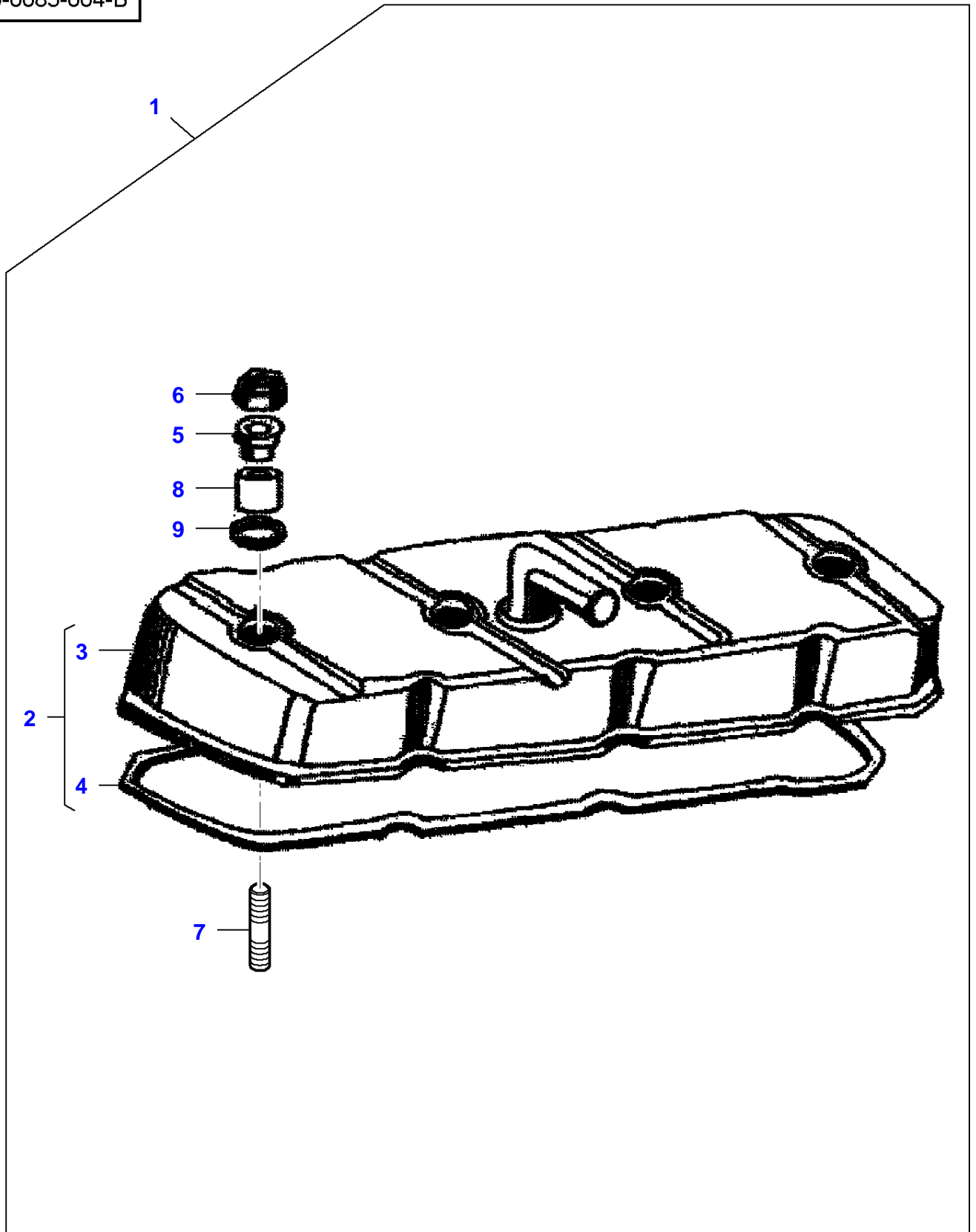
<https://www.ebooklibonline.com>

If the above button click is invalid. Please download this document first, and then click the above link to download the complete manual.

Thank you so much for reading

Item	Part Number	Qty	Description Comments	Technical Specification
			ENGINE 2318P00301 - LIST N?043	
1	3905265M91	1	KIT, CYL COVER INCLUDES ITEMS 2-7	
2	3904968M1	1	COVER GASKET	
3	3905255M1	4	WASHER	
4	3904998M1	4	SLEEVE	
5	3904990M1	4	RUBBER SEAL	
6	3637137M1	4	NUT	M8
7		1	CYL. HEAD COVER ORDER ITEM 1	

0-0085-004-B



<https://www.ebooklibonline.com>

Hello dear friend!

Thank you very much for reading.

Enter the link into your browser.

The full manual is available for immediate download.

<https://www.ebooklibonline.com>