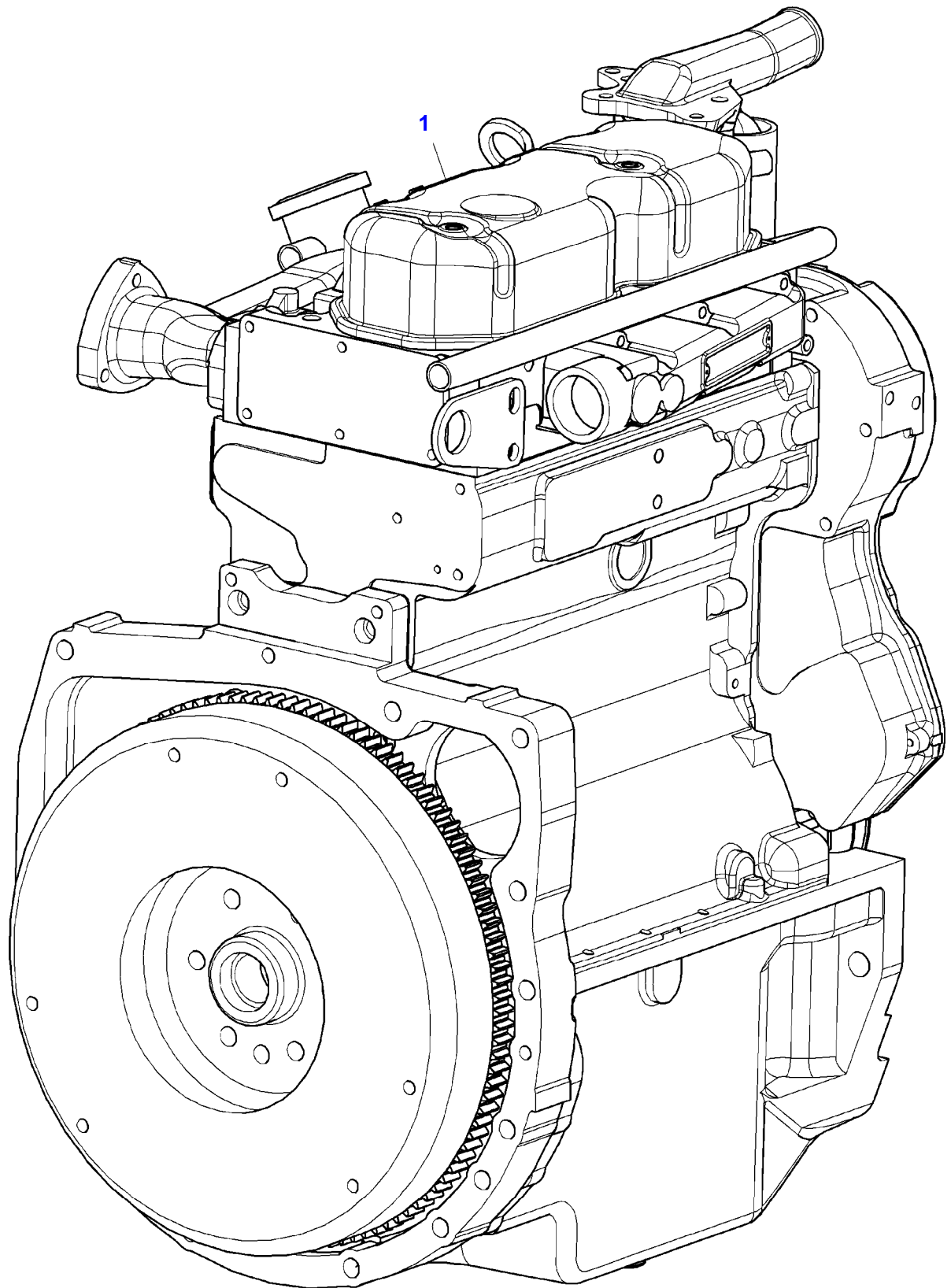


Page Number	Page Title	Page Reference
01-000-TOC	ENGINE, FUEL AND EXHAUST SYSTEM	01-000-TOC
02-000-TOC	FRAME AND SUSPENSION	02-000-TOC
03-000-TOC	STEERING SYSTEM	03-000-TOC
04-000-TOC	DRIVE TRAIN SYSTEM	04-000-TOC
05-000-TOC	BRAKE SYSTEM	05-000-TOC
06-000-TOC	ELECTRICAL SYSTEM	06-000-TOC
07-000-TOC	PLATFORM	07-000-TOC
08-000-TOC	CHASSIS	08-000-TOC
09-000-TOC	WHEELS	09-000-TOC
10-000-TOC	LINKAGE	10-000-TOC
11-000-TOC	GENERAL INFORMATION	11-000-TOC

Page Number	Page Title	Page Reference
01-0001	ENGINE	00110007-1
01-0002	ENGINE - FAN	02700016-1
01-0003	ENGINE - FLYWHEEL	00950009-1
01-0004	ENGINE - CYLINDER-BLOCK	05600025-1
01-0005	ENGINE - CRANKSHAFT, PISTONS & PISTON ROD	05630015-1
01-0006	ENGINE - CYLINDER HEAD	05660022-1
01-0007	ENGINE - INTAKE VALVE, EXHAUST VALVE & CAMSHAFT	05690016-1
01-0008	ENGINE - CYLINDER HEAD COVER	00850008-1
01-0009	ENGINE - TIMING GEAR HOUSING	05720022-1
01-0010	ENGINE - INJECTION PUMP	05870029-1
01-0011	ENGINE - FUEL FILTER	05880005-1
01-0012	ENGINE - OIL PUMP	04500004-1
01-0013	ENGINE - OIL SUMP	04400013-1
	UP TO MACHINE S/N	
	MEA2EE61YE1025146	
01-0014	ENGINE - OIL SUMP	2345859
	FROM MACHINE S/N	
	MEA2EE61YE1025147	
01-0015	ENGINE - OIL FILTER	04450002-1
01-0016	ENGINE - WATER PUMP	02750009-1
01-0017	ENGINE - INTAKE & EXHAUST MANIFOLD	03050023-1
01-0018	ENGINE - GASKET SET	06010025-1
01-0019	ENGINE - GEAR BOX ASSEMBLING	07100010-1
01-0020	ALTERNATOR & BRACKET	01550022-1
	KENYA	
01-0021	ALTERNATOR & BRACKET	2215597
	SOUTH AFRICA	
	MOROCCO	
01-0022	ALTERNATOR - (COMPONENTS)	1989781
01-0023	STARTERMOTOR	01800007-1
01-0024	COOLING SYSTEM	02600050-1
01-0025	FUEL SYSTEM - FUEL TANK & FUEL LINES	03860029-1
01-0026	OIL BATH AIR FILTER & REAR VIEW MIRROR	02910011-1
01-0027	OIL BATH AIR FILTER - (COMPONENTS)	1966925
01-0028	EXHAUST SYSTEM - VERTICAL	03200019-1
01-0029	THROTTLE CONTROL	05000049-1



<https://www.ebooklibonline.com>

Hello dear friend!

Thank you very much for reading.

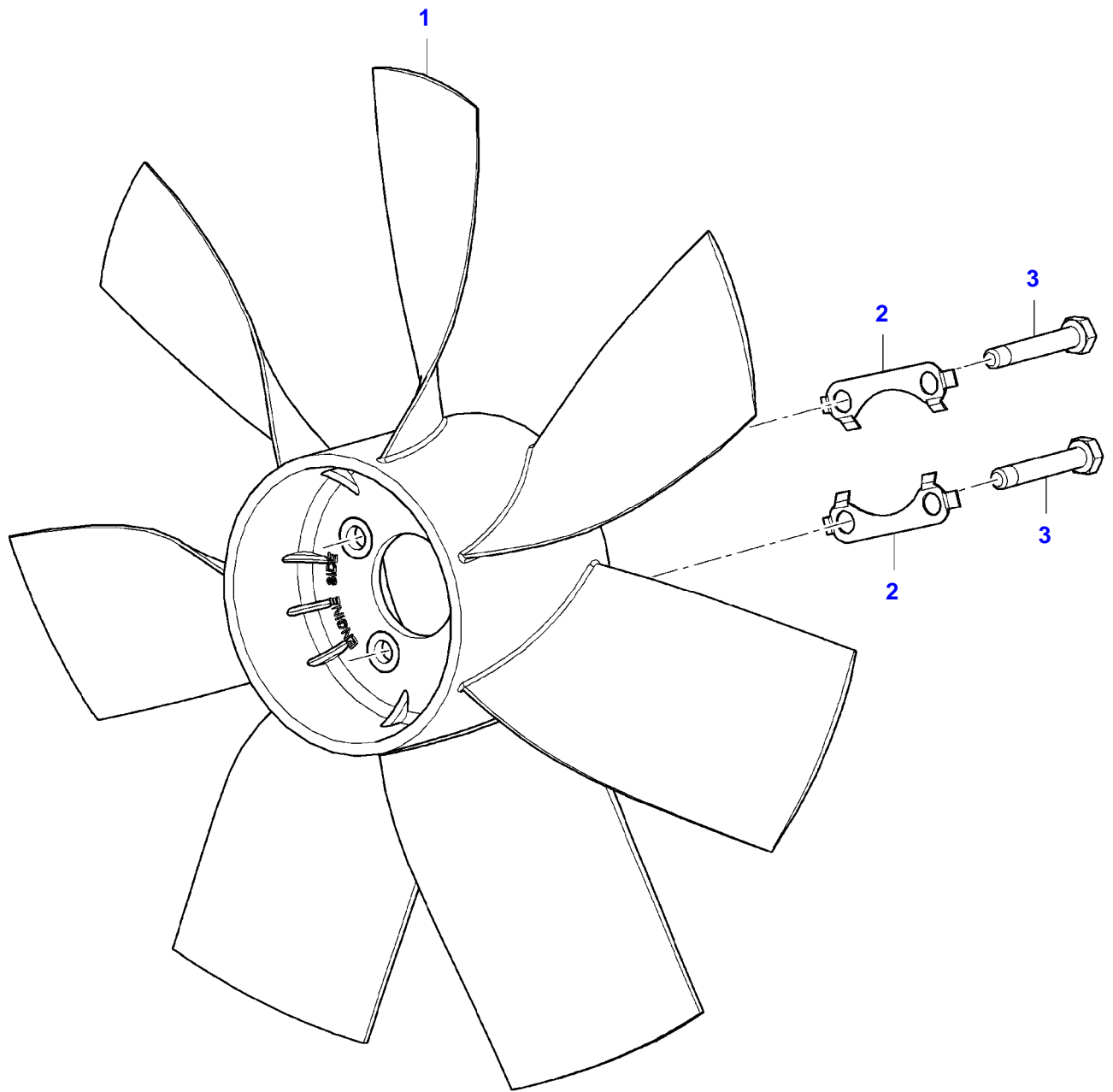
Enter the link into your browser.

The full manual is available for immediate download.

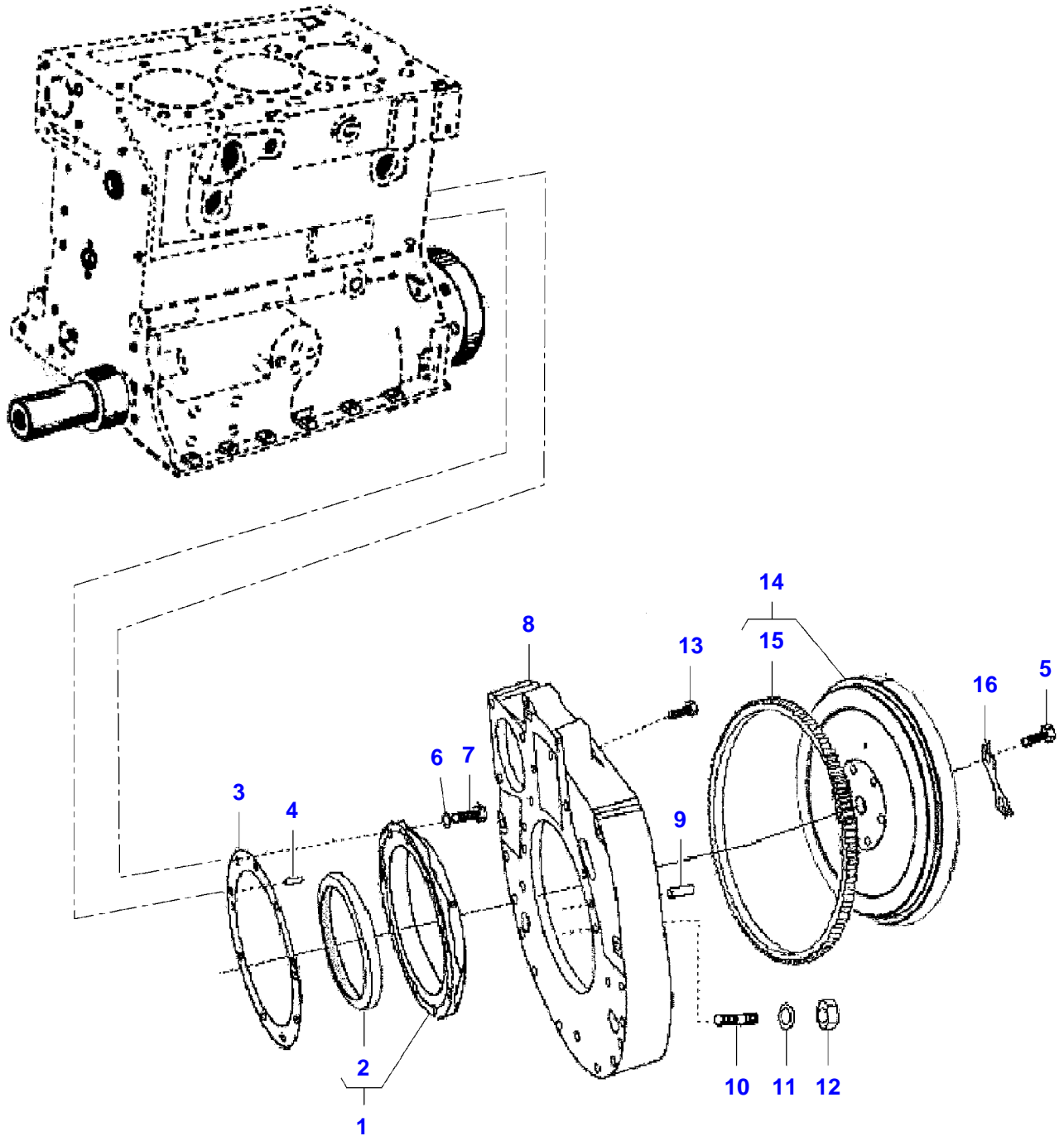
<https://www.ebooklibonline.com>

Massey Ferguson**MF 35 TRACTOR - (MADE IN INDIA FOR KENYA, SOUTH AFRICA & MOROCCO)****6246166****ENGINE****Page01-0001**

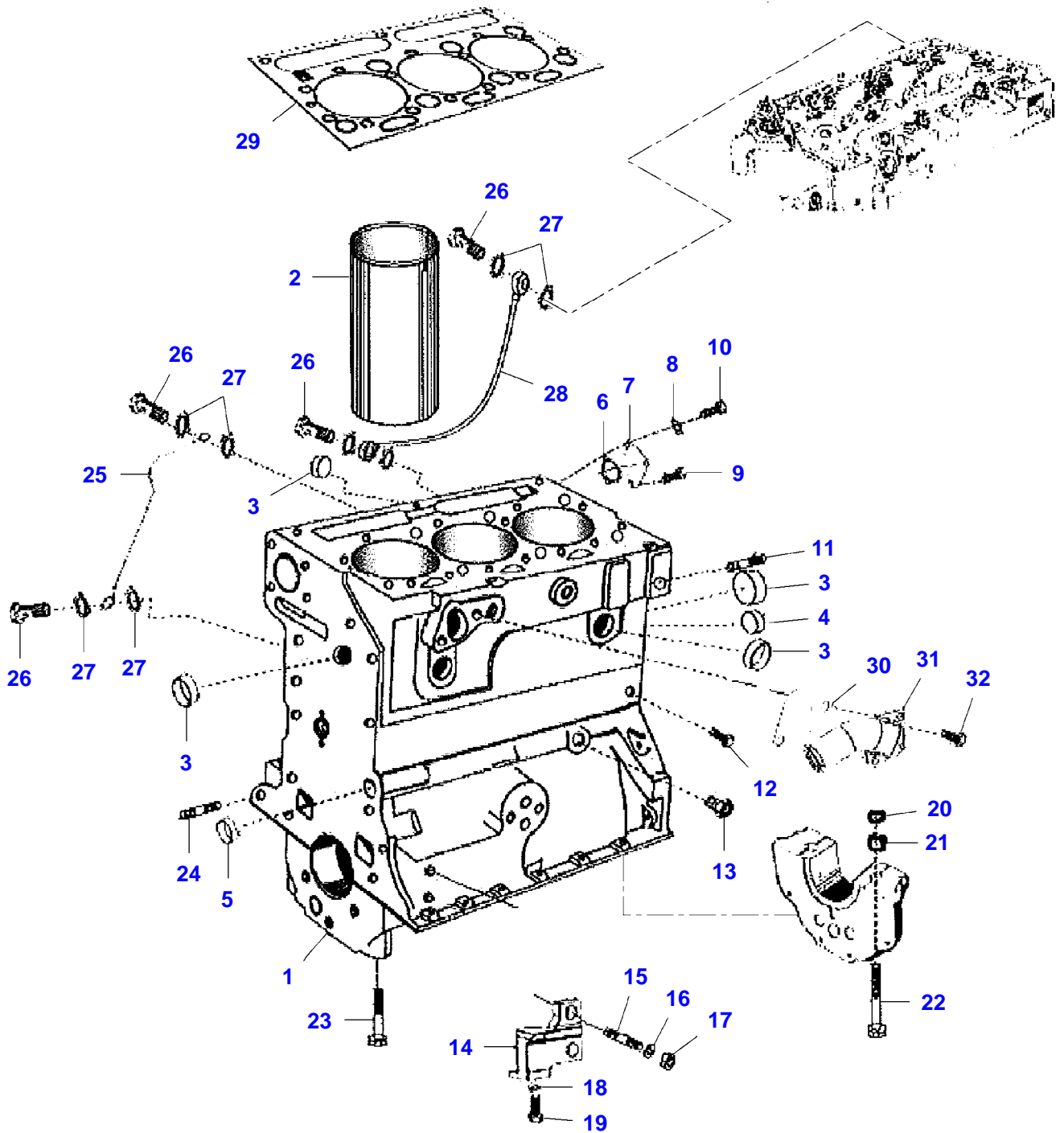
Item	Part Number	Qty	Description Comments	Technical Specification
1	1218P03001	1	ENGINE KENYA	S324 TIIIA TBAHP-1947
	ACP0245400	1	ENGINE SOUTH AFRICA MOROCCO	S324 TIIIA -LIST N?104



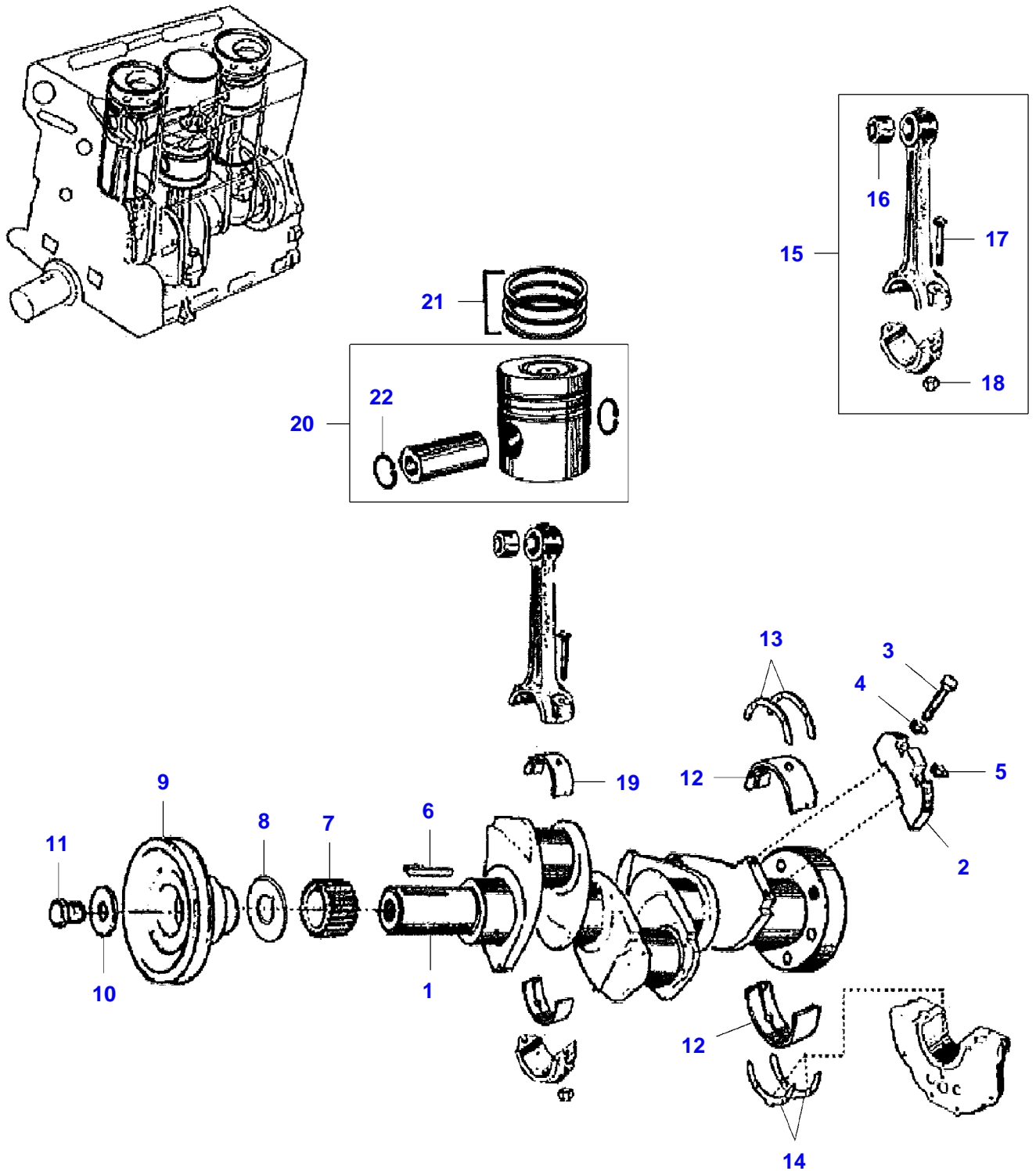
Item	Part Number	Qty	Description Comments	Technical Specification
1	1337C00101	1	FAN UP TO MACHINE S/N MEA629A1CF1042279	
	1337C00401	1	FAN FROM MACHINE S/N MEA629A1CF1042280 UP TO MACHINE S/N MEA2EE61AH1124849	
	1337C00101	1	FAN FROM MACHINE S/N MEA2EE61AH1124850	
2	716705M1	2	TAB WASHER	
3	339168X1	4	HEXAGONAL HEAD BOLT	M8 X 50 (1.25) ISO 8.8 ZN



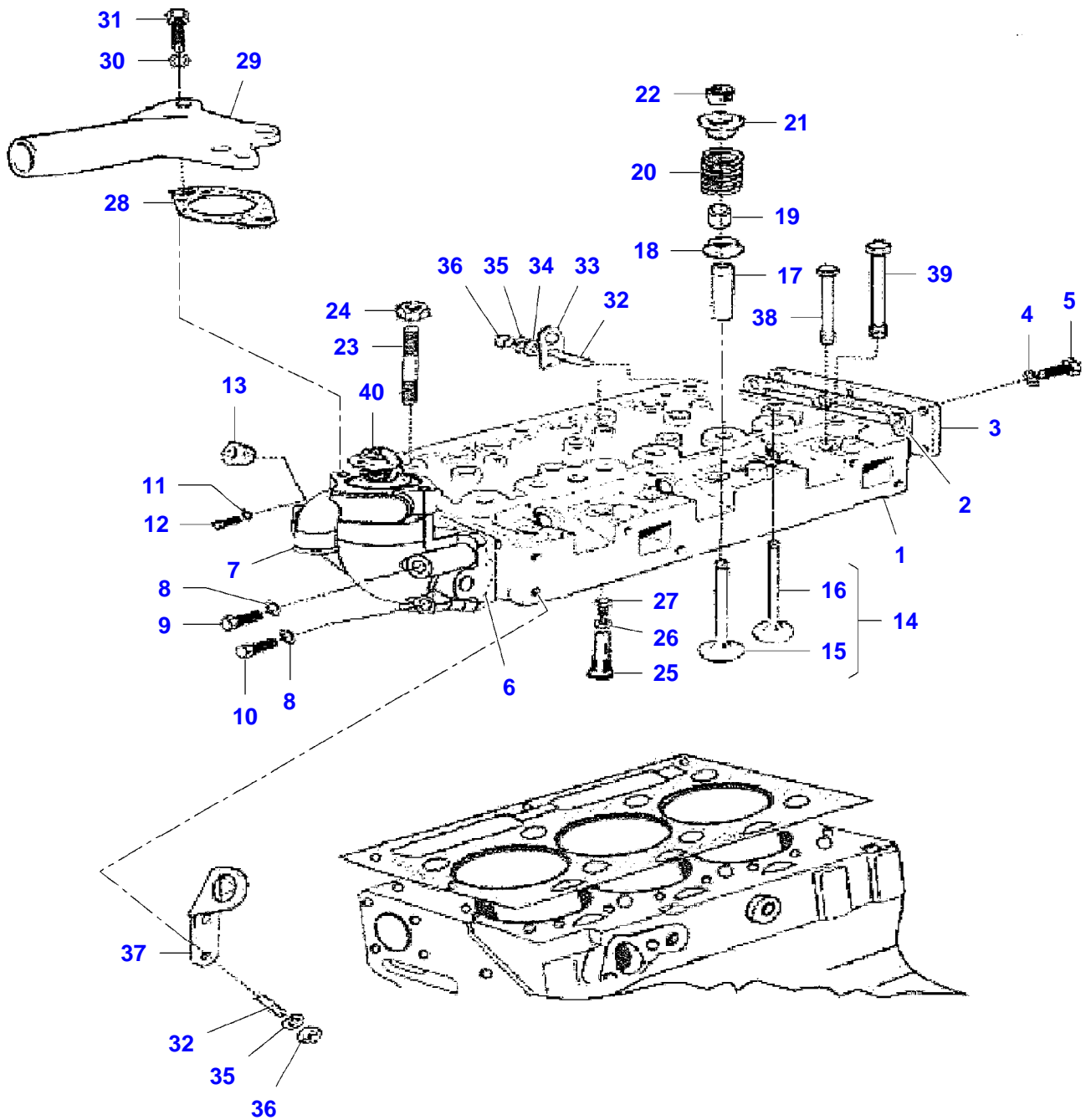
Item	Part Number	Qty	Description Comments	Technical Specification
1	3905763M91	1	KIT, HOUSING	
2	3604419M1	1	OIL SEAL	
3	3604480M1	1	JOINT	
4	731312M1	2	DOWEL	
5	3604719M1	6	HEX CAP SCREW	M12 X 35 (1.25) ISO 10.9
6	1650484M1	9	LOCK WASHER	5/16"
7	3604656M1	9	HEX CAP SCREW	
8	3604646M1	1	FLYWHEEL HOUSING	
9	731344M1	2	DOWEL	
10	3604725M1	6	STUD BOLT	
11	3604675M1	6	FLAT WASHER	
12	3604702M1	6	LOCKNUT	
13	3604652M1	2	HEX CAP SCREW	
14	3908869M91	1	FLYWHEEL	
15	731008M1	1	STARTER RING	
16	731192M1	3	TAB WASHER	



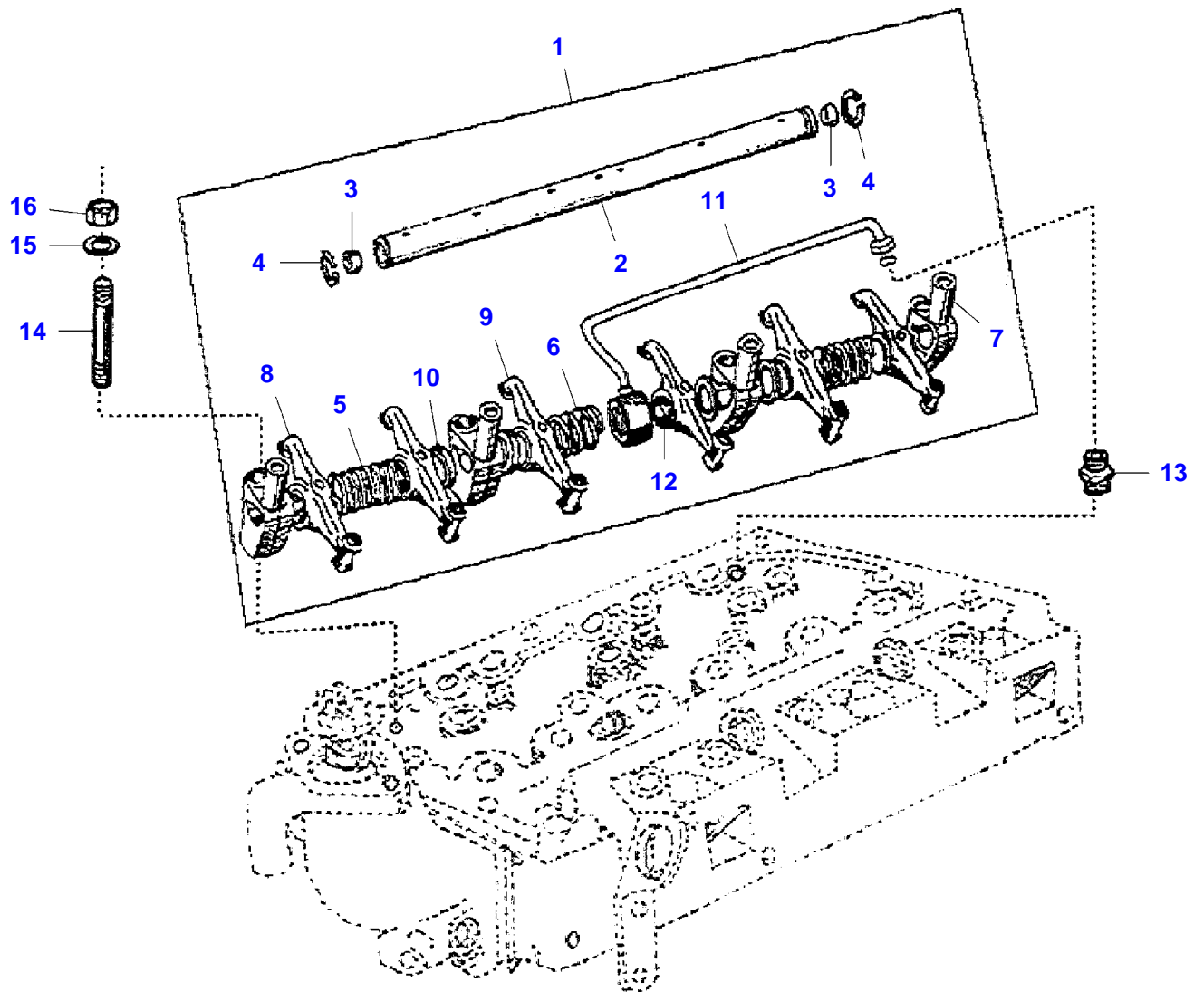
Item	Part Number	Qty	Description Comments	Technical Specification
1	3908871M91	1	CYLINDER-BLOCK INCLUDES ITEMS 2-4;21-23	
2	3908867M1	3	LINER	
3	731354M1	5	PLUG	
4	731999M1	1	PLUG	?22,48 MM
5	731356M1	2	PLUG	?17,6 MM
6	731209M1	1	JOINT	
7	3905996M1	1	PLATE KENYA [A]	
	3908881M1	1	GASKET SOUTH AFRICA MOROCCO	
8	1650484M1	3	LOCK WASHER [A]	5/16"
9	3604656M1	2	HEX CAP SCREW [A]	
10	3604655M1	1	HEX CAP SCREW	
11	3604728M1	1	STUD BOLT	
12	376670X1	1	PLUG	
13	3905525M1	1	ADAPTER	
14	3604539M1	1	BRACKET	
15	3604670M1	2	STUD BOLT	
16	353439X1	2	LOCK WASHER	1/2" ZN
17	3604649M1	2	NUT	
18	353433X1	1	LOCK WASHER	5/8"
19	3604661M1	1	HEX CAP SCREW	
20	1447053M1	2	O RING	
21	3604536M1	8	THIMBLE	
22	3604537M1	2	HEX CAP SCREW	
23	3604538M1	6	HEX CAP SCREW	
24	3905853M1	1	STUD BOLT [A]	
25	3905858M1	1	OIL PIPE [A]	
26	3604509M1	4	BANJO BOLT	
27	3604508M1	8	SEALING WASHER	
28	3904830M1	1	OIL PIPE	
29	3604474M1	1	CYLINDER HEAD GASKET	
30	3906608M1	1	JOINT [A]	
31	3906607M1	1	CONNECTION [A]	
32	3638435M1	2	HEX CAP SCREW [A] [A] WITH DRY AIR FILTER	M8 X 20



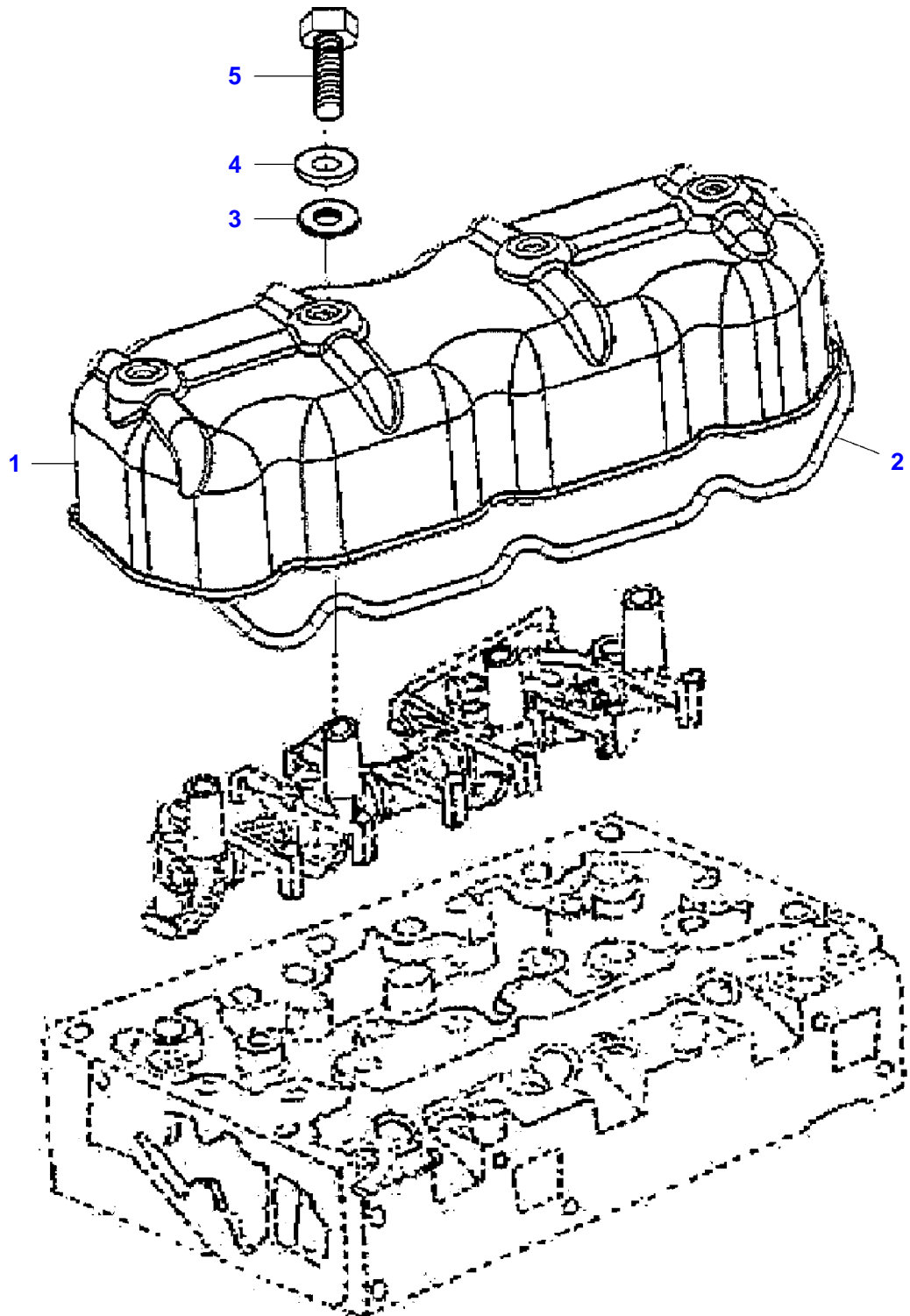
Item	Part Number	Qty	Description Comments	Technical Specification
1	3905751M1	1	CRANKSHAFT	
2	745483M1	2	WEIGHT	
3	376546X1	4	HEX CAP SCREW	
4	733644M1	2	RIGHT HAND TAB WASHER	
5	733645M1	2	LEFT HAND TAB WASHER	
6	731076M1	1	WOODRUFF KEY	
7	731228M1	1	GEAR,CRANKSHAFT	
8	745057M1	1	WASHER	
9	3908868M1	1	PULLEY	
10	731376M1	1	WASHER	
11	3604717M1	1	HEX CAP SCREW	
12	3604429M1	1	MAIN BEARING STANDARD	
	3604430M1	1	MAIN BEARING	S = -0.25MM/-0.010"
	3604431M1	1	MAIN BEARING	S = -0.50MM/-0.020"
	3604432M1	1	MAIN BEARING	S = -0.75MM/-0.030"
13	3604437M1	2	KIT, WASHER STANDARD	
14	3604438M1	2	KIT, WASHER OVERSIZE	
15	3604445M91	3	KIT, CONROD	
16	740407M1	3	BUSH	
17	375756X1	6	HEX CAP SCREW	
18	3639947M1	6	NUT	7/16"-20
19	3604433M1	6	BEARING STANDARD	
	3604434M1	6	BEARING	S = -0.25MM/-0.010"
	3604435M1	6	BEARING	S = -0.50MM/-0.020"
	3604436M1	6	BEARING	S = -0.75MM/-0.030"
20	3908870M91	3	PISTON	
21	3908872M91	3	KIT, RING	
22	375709X1	2	CIRCLIP	



Item	Part Number	Qty	Description Comments	Technical Specification
1	3904919M91	1	KIT, CYL. HEAD INCLUDES ITEMS 3-6;18-22	
2	3604491M1	1	JOINT	
3	3604604M1	1	COVER	
4	1650484M1	6	LOCK WASHER	5/16"
5	3604656M1	6	HEX CAP SCREW	
6	3604492M1	1	JOINT	
7	3604450M1	1	BODY	
8	3604675M1	2	FLAT WASHER	
9	3904807M1	1	HEX CAP SCREW	
10	3604659M1	1	HEX CAP SCREW	
11	3604675M1	4	FLAT WASHER	
12	3604656M1	3	HEX CAP SCREW	
13	3604610M1	1	PLUG	
14	3905862M91	1	KIT, VALVE	
15	739060M1	3	INLET VALVE	
16	747581M1	3	EXHAUST VALVE	
17	745533M1	6	GUIDE	
18	737645M1	6	WASHER	
19	3604423M1	6	SEAL	
20	731154M1	6	SPRING	
21	731156M1	6	CAP	
22	731155M1	6	COTTER DELIVER IN PAIRS	
23	742271M1	3	STUD BOLT	7/16"-20 X 4-1/8
24	3639947M1	3	NUT	7/16"-20
25	731150M1	6	TAPPET	
26	376123X1	6	LOCKNUT	
27	3604586M1	6	SCREW	
28	1650482M1	1	JOINT	
29	3604456M1	1	CONNECTION	
30	3604675M1	2	FLAT WASHER	
31	3604658M1	2	HEX CAP SCREW	
32	3604724M1	4	STUD BOLT	
33	3604678M1	1	PLATE	
34	375706X1	2	FLAT WASHER	3/8"
35	3604675M1	4	FLAT WASHER	
36	3604702M1	4	LOCKNUT	
37	3604679M1	1	BRACKET	
38	1476264X1	6	HEX CAP SCREW	M10 X 85
39	1476265X1	9	HEX CAP SCREW	M10 X 100
40	3604412M1	1	THERMOSTAT	



Item	Part Number	Qty	Description Comments	Technical Specification
1	3604466M1	1	ROCKER SHAFT ASM	
2	3604467M1	1	ROCKER SHAFT	
3	731330M1	2	PLUG	
4	375717X1	2	CIRCLIP	
5	731262M1	2	SPRING	
6	731263M1	1	SPRING	
7	3604465M1	4	ROCK.ARM BRACKET	
8	3604439M1	3	RIGHT HAND ROCKER ARM	
9	3604440M1	3	LEFT HAND ROCKER ARM	
10	731261M1	4	SPACER	
11	742191M91	1	OIL PIPE	
12	731507M1	6	BUSH	
13	731514M1	1	UNION	
14	3604729M1	4	STUD BOLT	
15	375706X1	4	FLAT WASHER	3/8"
16	3604702M1	4	LOCKNUT	





Suggest:

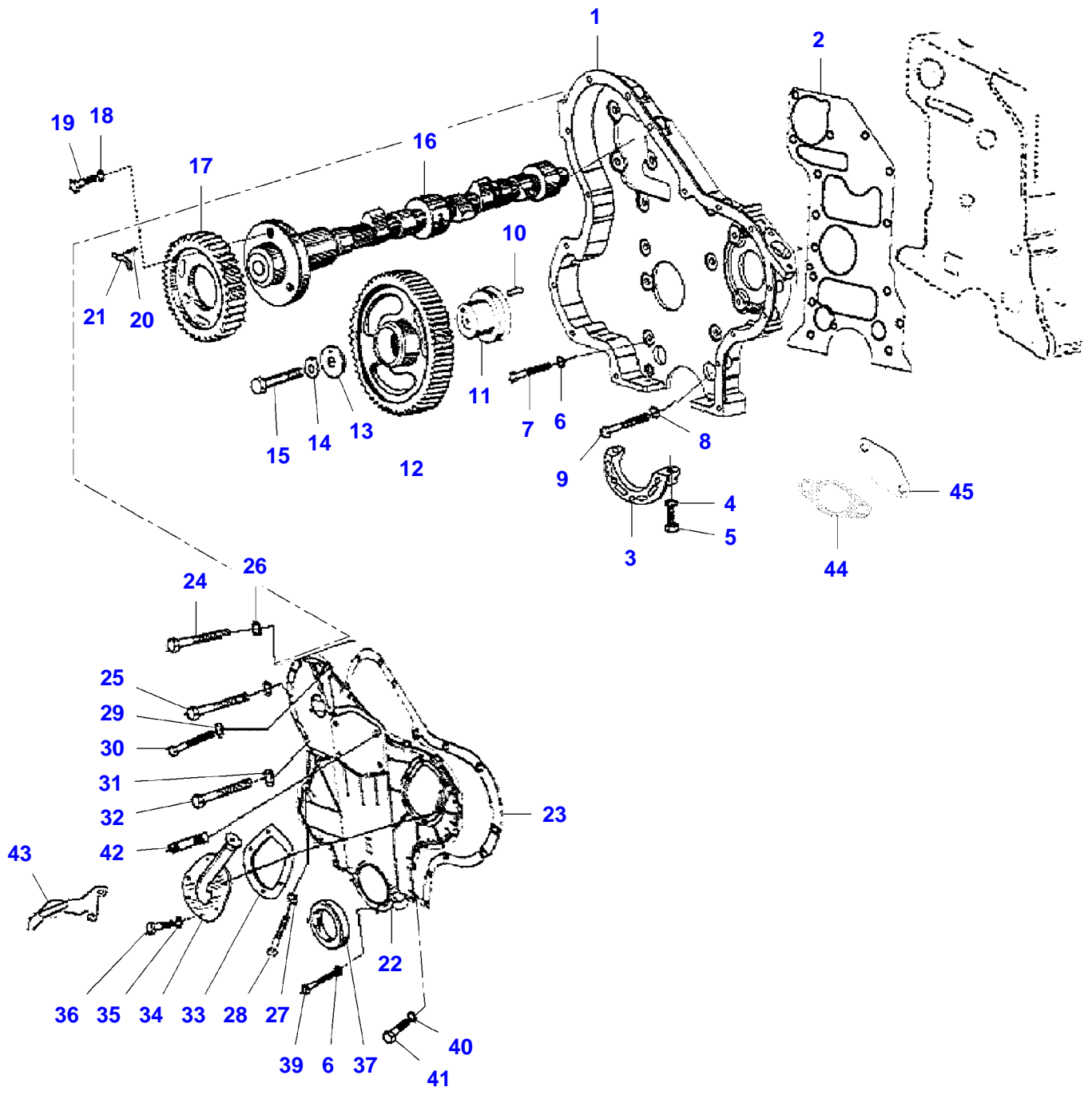
For more complete manuals. Please go to the home page.

<https://www.ebooklibonline.com>

If the above button click is invalid. Please download this document first, and then click the above link to download the complete manual.

Thank you so much for reading

Item	Part Number	Qty	Description Comments
1	3908864M91	1	CYLINDER HEAD COVER.
2	3604417M1	1	COVER GASKET
3	3604448M1	4	RUBBER BUSH
4	3604601M1	4	FLAT WASHER
5	3604656M1	4	HEX CAP SCREW



<https://www.ebooklibonline.com>

Hello dear friend!

Thank you very much for reading.

Enter the link into your browser.

The full manual is available for immediate download.

<https://www.ebooklibonline.com>