

**JOHN DEERE**  
**WORLDWIDE COMMERCIAL & CONSUMER**  
**EQUIPMENT DIVISION**

---

**Brushcutter**  
**XT140LE - UT15226**

**OMPS05083 K3**

**OPERATOR'S MANUAL**



**JOHN DEERE**

All information, illustrations and specifications in this manual are based on the latest information at the time of publication. The right is reserved to make changes at any time without notice.

**COPYRIGHT© 2003**  
Deere & Co.

John Deere Worldwide Commercial and Consumer Equipment Division  
All rights reserved  
Previous Editions  
**COPYRIGHT© 2003**

North American Version  
Litho in U.S.A.

# PRODUCT IDENTIFICATION

## Product Identification

### Record Identification Numbers

If you need to contact an Authorized Service Center for information on servicing, always provide the product model and serial number.

You will need to locate the serial number for the machine and record the information in the spaces provided below.

DATE OF PURCHASE:

DEALER NAME:

DEALER PHONE:

UT NUMBER:

UT15226

PRODUCT SERIAL NUMBER:

TCXS40Lxxxxxx

## Safety

Read the general safety operating precautions in your machine operator's manual for additional safety information.

### Understanding The Safety-Alert Symbol



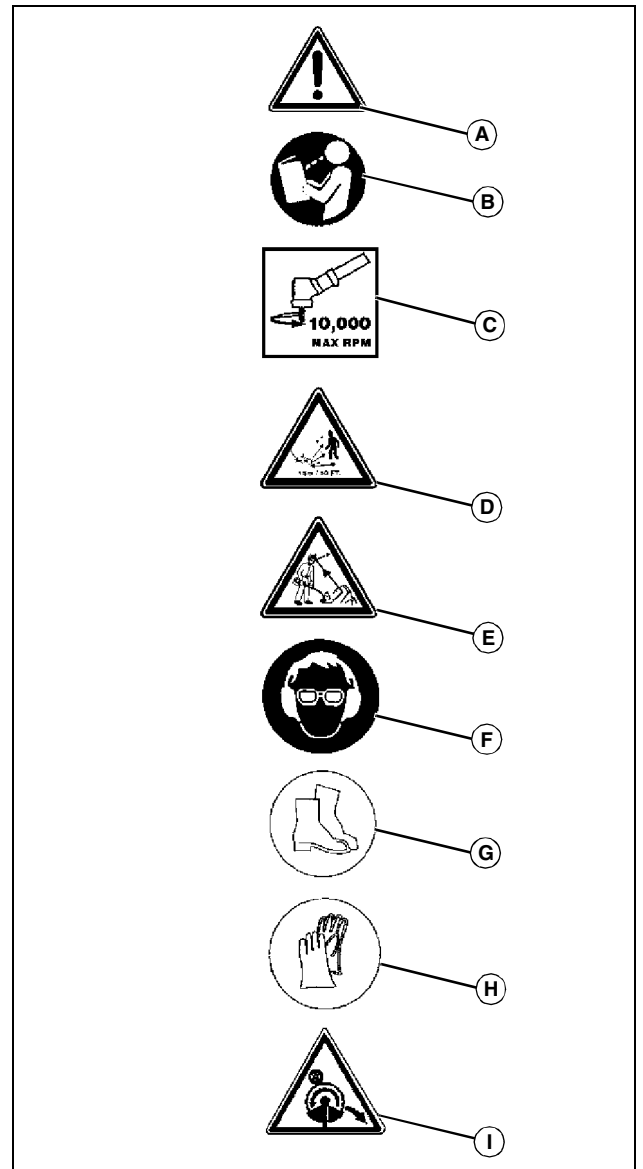
MIF

The machine safety labels shown in this section are placed in important areas on your machine to draw attention to potential safety hazards.

On your machine safety labels, the words DANGER, WARNING, and CAUTION are used with this safety-alert symbol. DANGER identifies the most serious hazards.

The operator's manual also explains any potential safety hazards whenever necessary in special safety messages that are identified with the word, CAUTION, and the safety-alert symbol.

### Safety Symbols



MX30191

- A- Indicates Warning, Danger, and Caution.
- B- Read all Safety, Operating and Maintenance Instructions.
- C- Maximum output spindle revolutions per minute (RPM). Do not use cutting attachment with a lower maximum rating.
- D- Keep all bystanders at least 50 feet (15 m) away.
- E- Danger of ricochet.
- F- Wear eye and hearing protection when operating this equipment.
- G- Wear appropriate footwear when operating this equipment.
- H- Wear heavy gloves when operating this equipment. Wear heavy gloves when installing or removing blades.
- I - Danger! Beware of blade thrust.

### Operating Safely

# SAFETY



**CAUTION: Avoid injury! For safe operation, read these instructions before using your trimmer/brushcutter. Follow all instructions for safety.**

**NOTE: Do not allow children or untrained individuals to use this unit.**

**Follow these instructions to reduce the risk of injury.**

**Always stop engine and remove spark plug wire before making any adjustments or repairs except carburetor adjustments.**

- Use this trimmer for cutting weeds and grass only. Do not use for any other purpose.
- Never start or run the engine inside a closed area; breathing exhaust fumes can kill.
- Clear the work area before each use. Remove all objects such as rocks, broken glass, nails, wire, or string which can be thrown or become entangled in the string head.
- Wear full eye and hearing protection while operating this trimmer.
- Wear heavy long pants, shoes, and gloves.
- Keep all bystanders, children, and pets at least 50 feet away.
- Do not wear loose clothing, or jewelry.
- Secure long hair so it is above the shoulder.
- Do not operate this trimmer when you are tired, ill, or under the influence of alcohol, drugs, or medication.
- Do not operate in poor lighting. Keep firm footing and balance. Do not overreach.
- Keep all parts of your body away from the stringhead or blade and hot surfaces. Keep string head or blade below waist level.
- Do not touch areas around the muffler and cylinder; these parts get hot from operation.
- If you are approached, stop the engine and cutting attachment.

## Maintenance Safety Procedures



**CAUTION: Avoid injury! Use only John Deere replacement parts. Failure to do so may cause poor performance, possible injury and may void your warranty.**

**PRODUCT USERS ON UNITED STATES FOREST SERVICE LAND, AND IN SOME STATES, MUST COMPLY WITH FIRE PREVENTION REGULATIONS. THIS PRODUCT IS EQUIPPED WITH A SPARK ARRESTOR; HOWEVER, OTHER USER REQUIREMENTS MAY APPLY. CHECK WITH YOUR FEDERAL, STATE, OR LOCAL AUTHORITIES.**

- Inspect unit before each use for loose fasteners, fuel leaks, etc. Replace damaged parts. Replace string head if cracked, chipped, or damaged in any way. Be sure the string head is properly installed and securely fastened. Failure to do so can cause serious injury.
- Make sure all deflectors and handles are properly and securely attached.
- Use only flexible, non-metallic monofilament string in the cutting head. Never use wire or wire rope.
- The string head will spin during carburetor adjustments. Wear protective equipment and observe all safety instructions.
- Before storing, allow the engine to cool.
- Empty the fuel tank and restrain the trimmer from moving before

transporting in a vehicle.

## Handling Fuel Safely



**CAUTION: Avoid injury! Do not smoke!**

- Mix and store fuel in a container approved for gasoline.
- Mix fuel outdoors where there are no sparks or flames.
- Select bare ground, stop engine and allow to cool before refueling.
- Loosen fuel cap slowly to release pressure and to keep fuel from escaping around the cap.
- Wipe spilled fuel from the unit. Move 3 m (10 feet) away from refueling site before starting engine.

## Operate Safely Using Blade

- After engine stops, keep rotating blade in heavy grass or brush until it stops.
- Always hold unit firmly with both hands.
- Do not operate the brushcutter unless the blade guard is in place and in good condition.
- Always stop the engine before attempting to remove any obstruction caught or jammed in the blade.
- Do not attempt to touch or stop the blade when it is rotating.
- A coasting blade can cause injury while it continues to spin after the engine is stopped or throttle trigger released. Maintain proper control until the blade has completely stopped rotating.
- Always make sure blade is installed correctly and securely fastened before each use.
- Use sharp blades - replace any blade that has been damaged or is no longer sharp.
- Use only JOHN DEERE® blades intended for use on this brushcutter. DO NOT USE ANY OTHER BLADE.
- Use blades to cut materials described in "Using Blade" in the OPERATING section below. Do not use for any other purpose.
- There is a risk of injury to bystanders from being struck with the working blade in the event of a blade thrust.



**CAUTION: Avoid injury! Exercise extreme caution when using the blade with this unit. BLADE THRUST is the reaction that may occur when the spinning blade contacts anything it cannot cut. This contact may cause the blade to stop for an instant, and suddenly "thrust" the unit away from the object that was hit. This reaction can be violent enough to cause the operator to lose control of the unit. BLADE THRUST can occur without warning if the blade snags, stalls, or binds. This is more likely to occur in areas where it is difficult to see the material being cut.**

**<https://www.ebooklibonline.com>**

Hello dear friend!

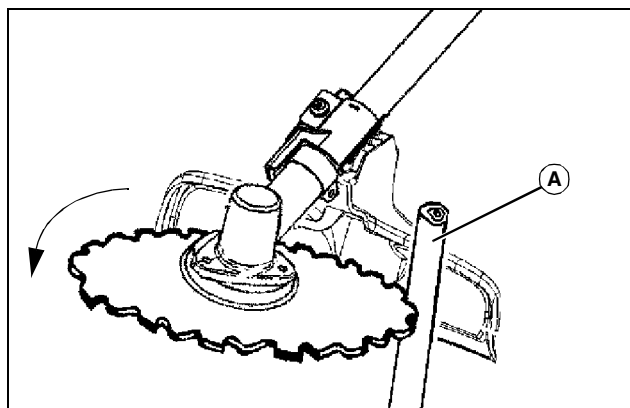
Thank you very much for reading.

Enter the link into your browser.

The full manual is available for immediate download.

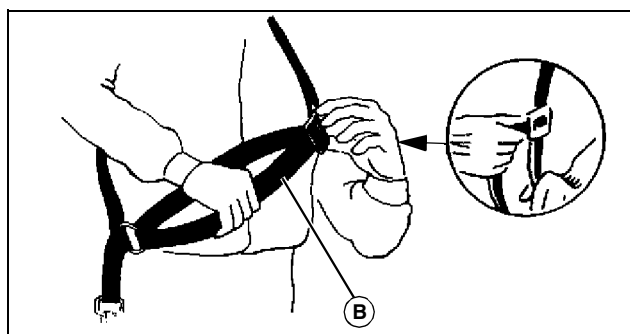
**<https://www.ebooklibonline.com>**

# ASSEMBLY



MX30166

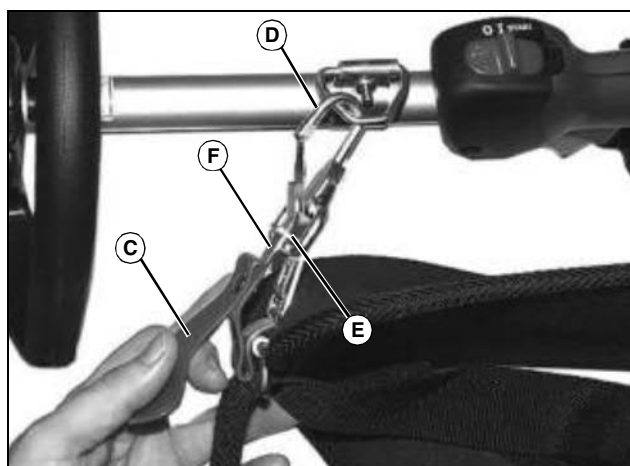
- Use blade guard as rear stop as shown (A) to minimize this reaction.



MX30189

- Always wear strap (B) and adjust as shown. Maintain a firm grip on both handles while cutting with a blade. Keep blade away from body and below waist.
- Use heavy gloves while installing or removing blades.
- Inspect unit to be sure that blade is firmly attached.

## NOTE: Strap Quick Release:



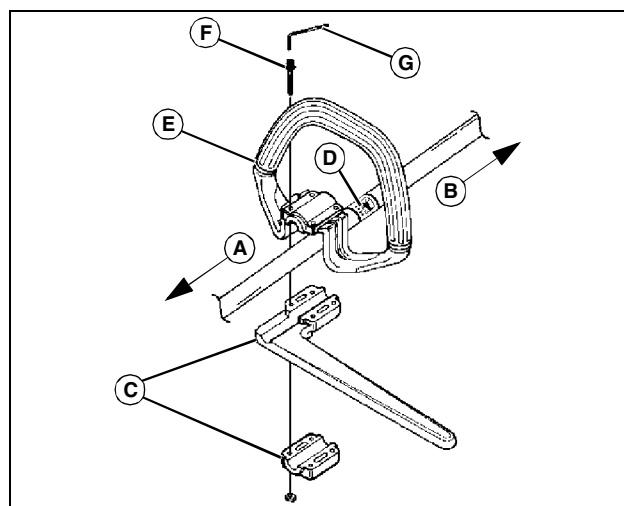
MX30205

- The shoulder strap has a quick release latch, so that if necessary to disengage quickly, operator can pull the red strap (C) to immediately disconnect from the unit.
- To reassemble, remove spring clip (D) from unit, place open end over strap buckle (E), and re-insert quick release blade (F).

## Assembly

### Assemble Front Handle

**NOTE:** Two front handle brackets are supplied with this unit. One has approximate 8" long barrier incorporated in it. This barrier is a safety feature designed to help prevent an injury caused by an inadvertent contact with the cutting attachment. We strongly recommend you use this version at all times. If, however, you intend to use your unit strictly as a string trimmer only, and prefer not to have the barrier installed, you can use the other bracket supplied. Remember to switch to the barrier equipped bracket when converting your unit into a brushcutter which will use a metal cutting blade instead of a stringhead.



MX30190

**Picture Note: Orientation Shown; Cutting attachment end (A) and power head end (B).**

1. Place the front handle bracket (C) under the driveshaft housing in desired location. Make sure the barrier is on the operator's side (left side) of the driveshaft housing as shown.

Handle must be installed/positioned on the driveshaft housing in front of the arrows (D) on the positioning decal.

2. Place front handle (E) above driveshaft housing, and align the holes with the holes in the bracket.

3. Install the four (4) screws (F), from the top side of the bracket. With the wrench (G) supplied in the owner's kit, tighten the screws, but not securely at this time. Screws should be loose enough to adjust the front handle.



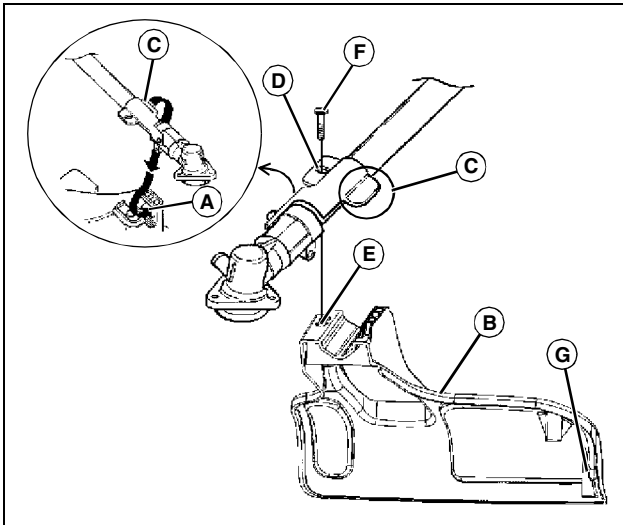
**CAUTION: Avoid injury! For safe operation and maximum control, the assist handle should never be mounted above the line indicated by the positioning decal.**

4. Adjust the position of the front handle for best balance and comfort, then tighten the four (4) screws securely.

### Install Grass Deflector

**NOTE:** When converting from brushcutter to string trimmer, or string trimmer to brushcutter, make sure the correct guard/deflector is being used.

# ASSEMBLY



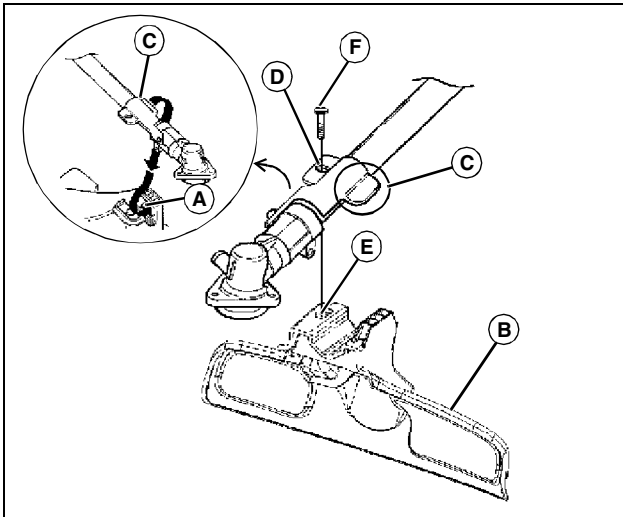
MX30192

1. Place slot (A) in grass deflector (B) over the square tab (C) of mounting bracket.
2. Rotate the grass deflector around the driveshaft housing. Align the screw hole (D) in the mounting bracket with the screw hole (E) in the grass deflector.
3. Insert screw (F) through the mounting bracket and into the grass deflector and tighten securely.

**NOTE:** When assembling grass deflector (B), be sure to remove cover from cut-off blade (G) on deflector before using string trimmer.

## Install Blade Guard

**NOTE:** When converting from brushcutter to string trimmer, or string trimmer to brushcutter, make sure the correct guard/deflector is being used.



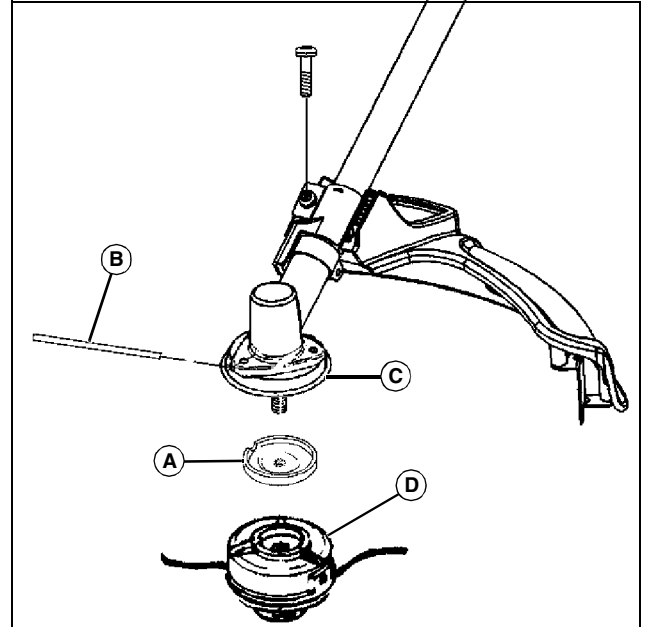
MX30193

1. Place slot (A) in blade guard (B) over the square tab (C) of mounting bracket.
2. Rotate the blade guard around the driveshaft housing. Align the screw hole (D) in the mounting bracket with the screw hole (E) in the blade guard.
3. Insert screw (F) through the mounting bracket and into the blade guard

and tighten securely.

## Install Stringhead

**NOTE:** Installing the stringhead is easier if you place the unit upside down, or stand the unit up with the engine on a clean, flat surface.



MX30194

1. Install upper flange washer (A) onto gear shaft with hollow side toward gear head.
2. Place holding pin (B) through slot in grass cover (C), upper flange washer (A) and gear head.
3. Place stringhead (D) on upper flange washer (A). Turn stringhead counterclockwise and tighten securely.
4. Adjust string length to 43 cm (17 in.) diameter, or 16.5 cm (6.5 in.) on each side.
5. Remove the holding pin and spin the stringhead by hand to make sure there is no interference.

## Install Blade



**Suggest:**

**If the above button click is invalid.**

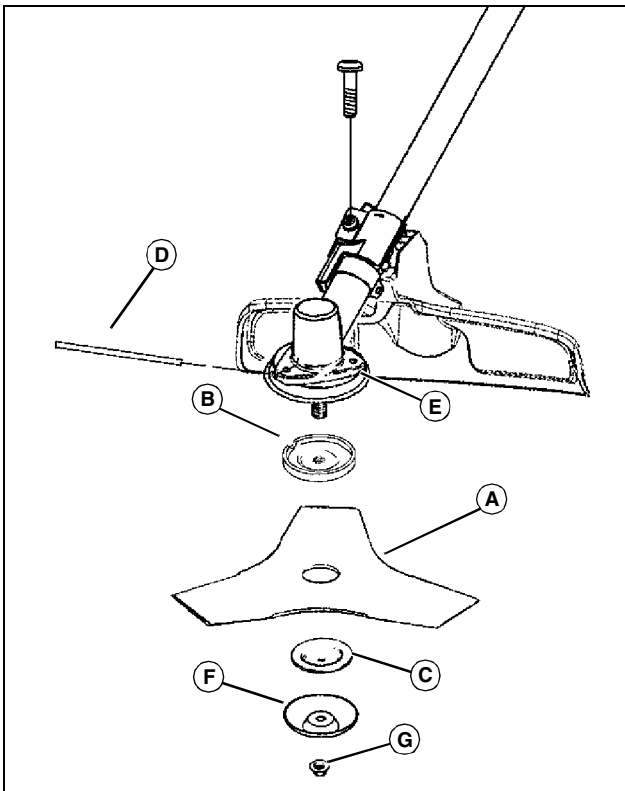
**Please download this document**

**first, and then click the above link**

**to download the complete manual.**

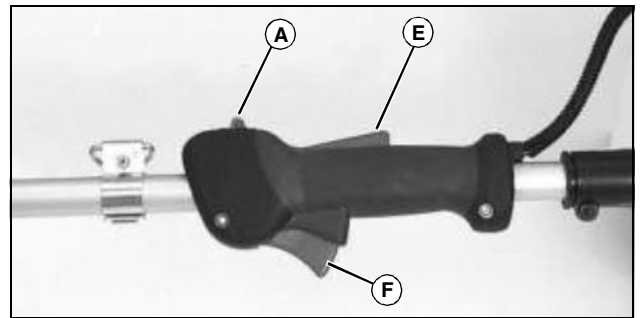
**Thank you so much for reading**

# OPERATING

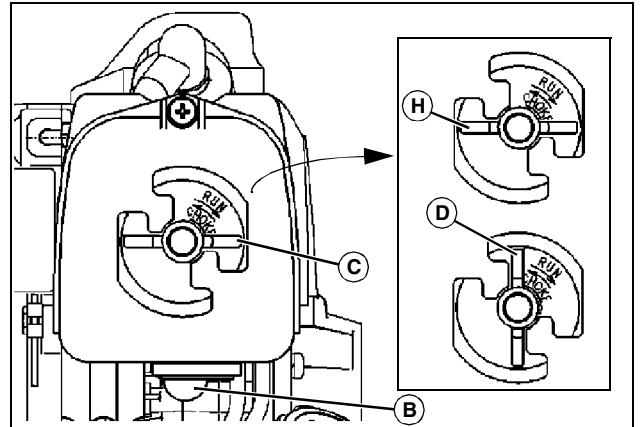


MX30195

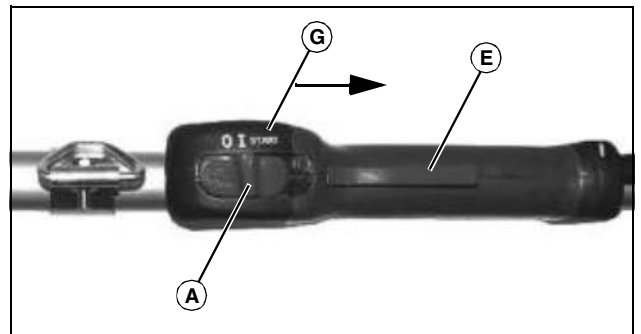
1. Install blade (A) on upper flange washer (B), making sure the blade is centered and lies flat. The shoulder on the upper flange washer must be inserted into the center hole in the blade.
2. Install lower flange washer (C) with the raised center away from blade.
3. Place holding pin (D) through slot in grass cover (E), upper flange washer (B) and gear head. Install nut guard (F) and blade nut (G) onto gear head and turn counterclockwise to tighten securely.
4. Remove holding pin and spin the blade by hand to make sure there is no interference.



MX30198



MX30199



MX30206

## Operating

### Inspection

- Always inspect all fasteners for tightness and/or missing parts. Tighten or replace before use.
- Make sure all parts are installed as instructed.

### Starting Engine

#### Starting Engine When Cold (Initial Engine Starting)

1. Lay trimmer on a flat, bare surface.

2. Move the switch (A) to the "I" position.
3. Push primer bulb (B) 8 to 10 times.
4. Move choke lever (C) to the "CHOKE" position (D).

**NOTE: Trigger safety lock (E) must be depressed before squeezing trigger.**

5. Squeeze trigger (F) to full throttle position and hold it, or set the switch (A) to the "START" (fast idle) position (G) and release the trigger.
6. Pull starter until engine tries to run. (No more than 6 pulls.)
7. Move choke lever to half choke position.
8. Pull starter until the engine runs.
9. Run engine 30 to 45 seconds at the "START" (fast idle) position on half choke position to warm up. Move choke lever to the "RUN" position (H).

#### Starting Engine When Warm (Restarting Engine)

1. Place choke lever in the "RUN" position (H), if it is not already there.

**NOTE: It is not necessary to squeeze trigger or set the part throttle**

**<https://www.ebooklibonline.com>**

Hello dear friend!

Thank you very much for reading.

Enter the link into your browser.

The full manual is available for immediate download.

**<https://www.ebooklibonline.com>**