

**JOHN DEERE**  
**AG & TURF DIVISION**

---

**Winch**

**OMM162186 K1**

**OPERATOR'S MANUAL**



**JOHN DEERE**

**Original Instruction**

All information, illustrations and specifications in this manual are based on the latest information at the time of publication. The right is reserved to make changes at any time without notice.

**COPYRIGHT© 2011  
Deere & Co.**

**John Deere Ag & Turf Division  
All rights reserved  
Previous Editions  
COPYRIGHT© 2011**

**Litho in U.S.A.**

# Introduction

---

## Table of Contents

Introduction.....	1
Product Identification.....	1
Safety Labels.....	2
Safety.....	4
Assembly.....	5
Preparing Vehicle.....	7
Installing.....	8
Operating.....	14
Service.....	19
Troubleshooting.....	20
Specifications.....	21
Getting Quality Service.....	21

---

## Introduction

### Using Your Operator's Manual

Read this entire operator's manual, especially the safety information, before operating.

This manual is an important part of your machine. Keep all manuals in a convenient location so they can be accessed easily.

Use the safety and operating information in the attachment operator's manual, along with the machine operator's manual, to operate and service the attachment safely and correctly.

If your attachment manual has a section called Preparing the Machine, it means that you will have to do something to your tractor or vehicle before you can install the attachment. The Assembly and Installation sections of this manual provide information to assemble and install the attachment to your tractor or vehicle. Use the Service section to make any needed adjustments and routine service to your attachment.

If you have any questions or concerns with the assembly, installation, or operation of this attachment, see your local John Deere dealer or call the John Deere Customer Contact Center at 1-800-537-8233 for assistance.

Warranty information on this John Deere attachment can be found in the warranty that came with your John Deere tractor or vehicle.

---

## Product Identification

### Product Compatibility

This attachment is compatible with John Deere Gator™ Utility Vehicles.

Contact your John Deere dealer for specific utility vehicle compatibility information.

### Record Purchase Information

Record your purchase information in the spaces provided below.

DATE OF PURCHASE:

\_\_\_\_\_

DEALER NAME:

\_\_\_\_\_

DEALER PHONE:

\_\_\_\_\_

# Safety Labels

## Safety Labels



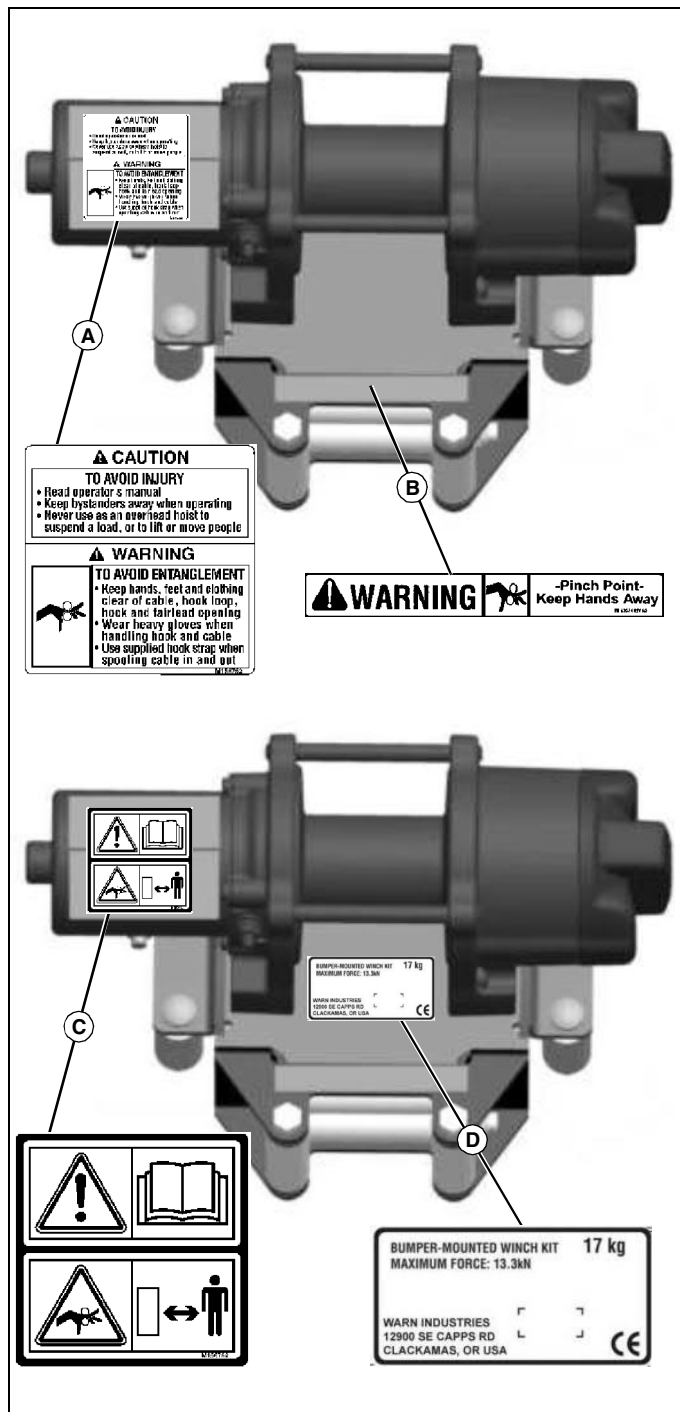
### Understanding The Machine Safety Labels

The machine safety labels shown in this section are placed in important areas on your machine to draw attention to potential safety hazards.

On your machine safety labels, the words DANGER, WARNING, and CAUTION are used with this safety-alert symbol. DANGER identifies the most serious hazards.

The operator's manual also explains any potential safety hazards whenever necessary in special safety messages that are identified with the word, CAUTION, and the safety-alert symbol.

## Safety Label Location



MX44103

Picture Note: Use label number listed in table below to locate complete text of safety label message following this illustration.

- A- M156752 Caution/Warning
- B- VG10909 Warning
- C- M156762 Caution/Warning
- D- M167070 CE Label

**<https://www.ebooklibonline.com>**

Hello dear friend!

Thank you very much for reading.

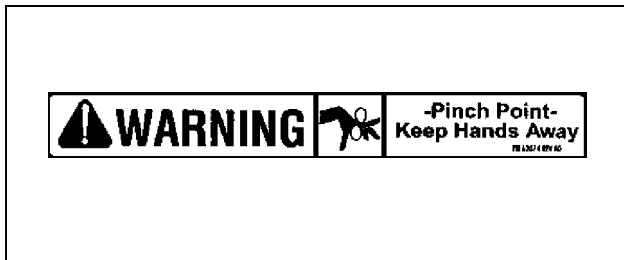
Enter the link into your browser.

The full manual is available for immediate download.

**<https://www.ebooklibonline.com>**

# Safety Labels

## WARNING VG10909



VG10909

### Pinch Point

- Keep Hands Away

## CAUTION M156752



M156752

### TO AVOID INJURY

- Read operator's manual
- Keep bystanders away when operating
- Never use as an overhead hoist to suspend a load, or to lift or move people

## WARNING M156752

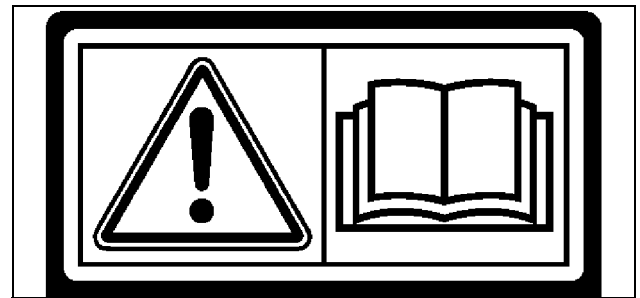


M156752

### TO AVOID ENTANGLEMENT

- Keep hands, feet and clothing clear of cable, hook loop, hook and fairlead opening
- Wear heavy gloves when handling hook and cable
- Use supplied hook strap when spooling cable in and out

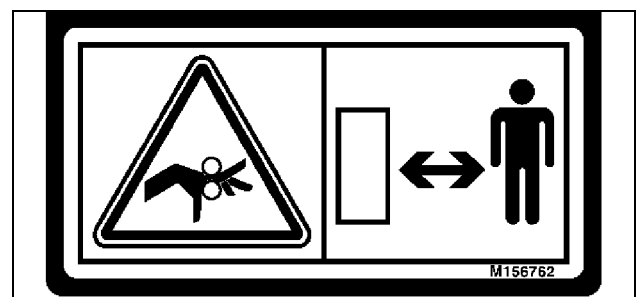
## CAUTION M156762



M156762

- This operator's manual contains important information necessary for safe operation.
- Carefully read operator's manual before operating winch. Observe all safety rules to avoid accidents.

## WARNING M156762

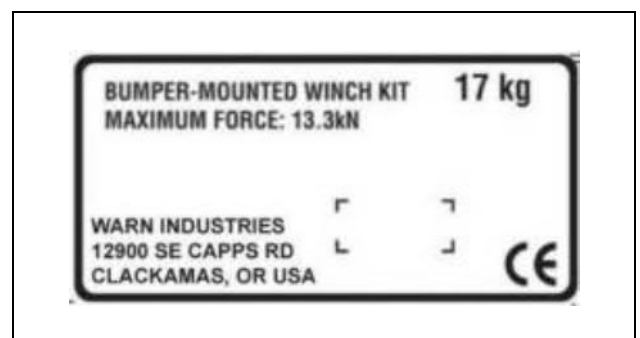


M156762

### TO AVOID ENTANGLEMENT

- Keep hands, feet and clothing clear of cable, hook loop, hook and fairlead opening
- Wear heavy gloves when handling hook and cable
- Use supplied hook strap when spooling cable in and out

### CE Certification Label



For European markets: This label indicates that your winch has been certified and is compliant with European Directives 2006/42/EC and 2004/108/EC.

# Safety

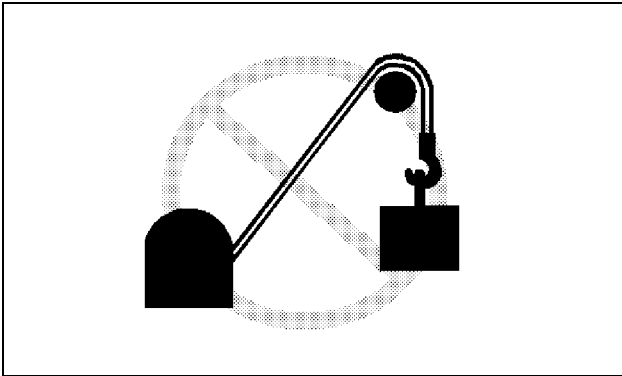
## Safety

### Read Safety in Machine Operator's Manual

Read the general safety operating precautions in your machine operator's manual for additional safety information.

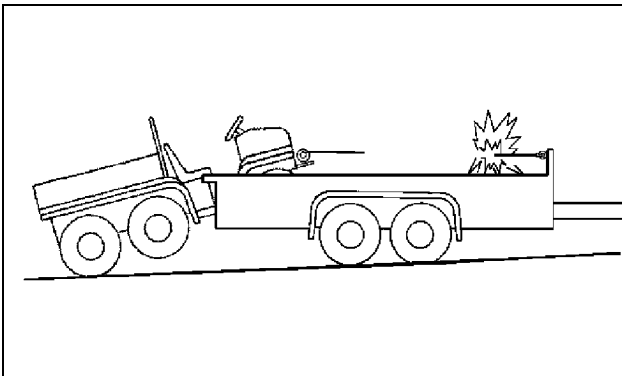
### Operating Safely

- Read, understand and follow all instructions and safety information in the manuals and on the winch before operating.
- Inspect equipment before you operate. Be sure hardware is tight. Repair or replace damaged, badly worn, or missing parts.
- Use and become familiar with the winch before you actually need it in an emergency situation.



MX8316

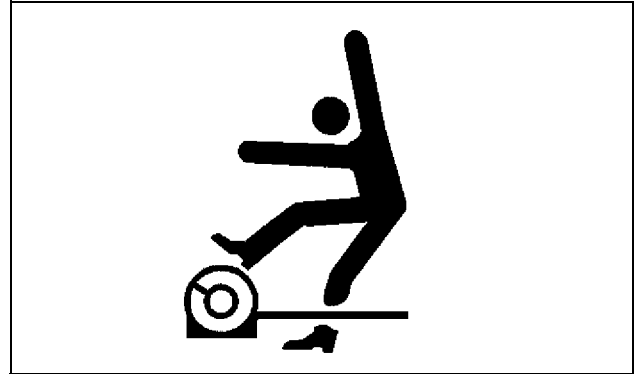
- Never use winch for towing or hoisting. A winch is not designed for such service. A sudden shock load can cause the cable or drum to break.
- Never exceed the rated winch capacity. Do not drive the vehicle to assist with pulling a load attached to the winch. This could overload the drum or cable.
- Make sure tackle such as hooks, pulley blocks, and straps are sized appropriately for the job. Use only factory approved remote controls and accessories.



MX8317

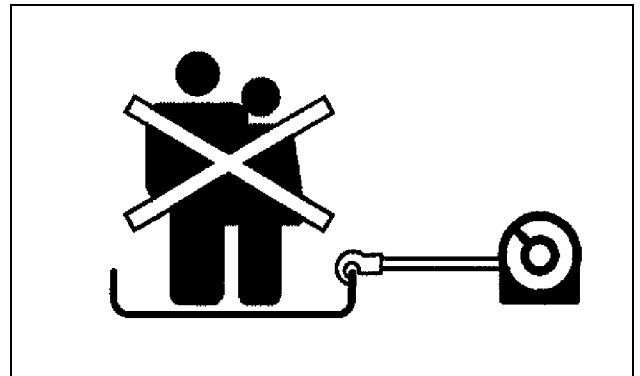
- Do not use winch to secure a load during transport.
- Only allow responsible adults, who are familiar with the instructions to operate the winch.
- Always stand clear of the cable and load and keep others away when winching. If cable breaks or pulls loose under load, it can backlash with great force.
- Lay a heavy blanket or jacket over the winch line near the hook end when

pulling heavy loads. This will act as a damper to help prevent cable backlash in the event of an equipment failure.



MX8315

- Never step over the cable, even if it is not under tension.
- Only use a 12 volt DC power source to operate your winch. Other power sources can result in fatal shock or damage to the winch.
- Never allow the winch to become submerged in water.
- Always operate winch with an unobstructed view of the winching operation.
- Stop the winching operation if anyone enters the area.



MX8314

- Do not use winch to move persons.
- Never hold the winch cable hook with your hand when rewinding the cable. Hand or fingers can become crushed. Use the hook strap provided.
- Disconnect the winch power cord before leaving machine unattended.
- Only operate during daylight or with good artificial light.
- Never operate winch while under the influence of drugs or alcohol.
- Do not wear radio or music headphones while winching. Safe operation requires your full attention.

### Parking Safely

1. Stop vehicle on a level surface, not on a slope.
2. Lock park brake.
3. Stop engine.
4. Remove key.
5. Before you leave the operator's seat, wait for engine and all moving parts to stop.
6. Disconnect the negative battery cable or remove the spark plug wire (for

# Assembly

gasoline engines) before servicing the machine.

## Practice Safe Maintenance



MIF

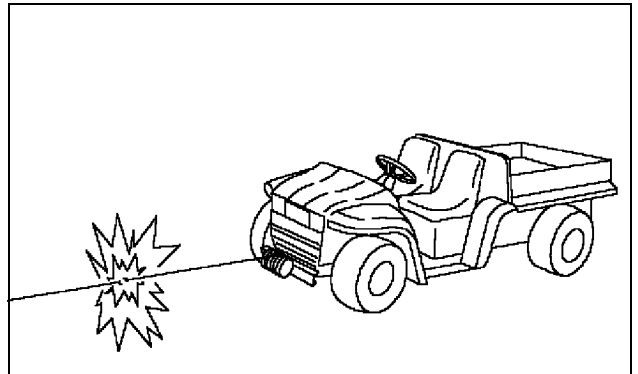
- Disengage all power and stop vehicle engine before servicing. Lock park brake and remove the key. Let machine cool.
- Disconnect the winch power leads from battery before servicing to prevent accidental start-up of the winch.
- Understand service procedure before doing work. Keep area clean and dry.
- Use only factory approved parts for repairs.
- Never work on or around the winch when drum is under load. Keep safety devices in place and in working condition. Keep hardware tight.
- Keep hands, feet, clothing, jewelry, and long hair away from any moving parts, to prevent them from getting caught.
- Inspect winching tackle regularly for damage.
- Keep all parts in good condition and properly installed. Fix damage immediately. Replace worn or broken parts. Remove any buildup of debris.
- Never attempt repairs while under the influence of drugs or alcohol.
- Do not wear radio or music headphones while servicing the machine. Safe service requires your full attention.



## Wear Appropriate Clothing

- Wear close fitting clothing and safety equipment appropriate for the job.
- Always wear heavy gloves when handling the winch cable.

## Do Not Modify Machine



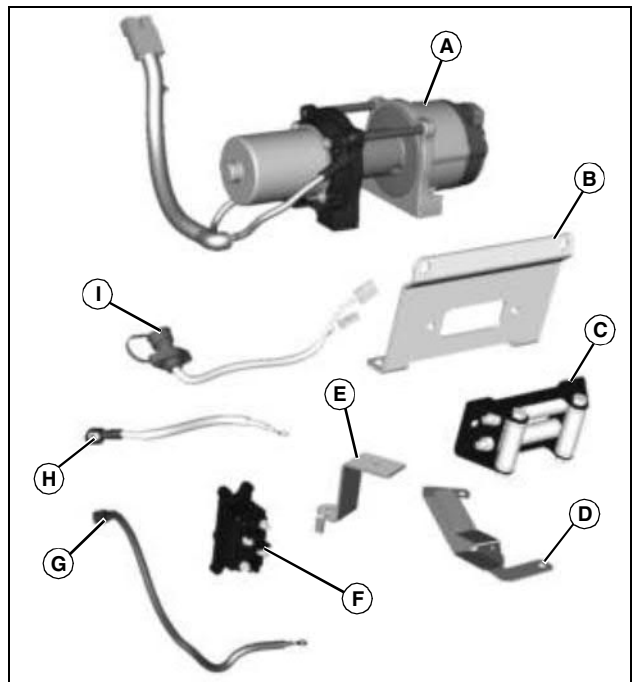
MX8306

- Never machine, weld, or make any unauthorized modifications to any part of the winch, carrier plate, cable, or receiver.
- Never alter or remove the safety decals.
- Modifications can result in making the winch unsafe, increasing the possibility of severe bodily injury or death.

## Assembly

### Parts in Kit

Model XUV550 S2, RSX850i



MX50202

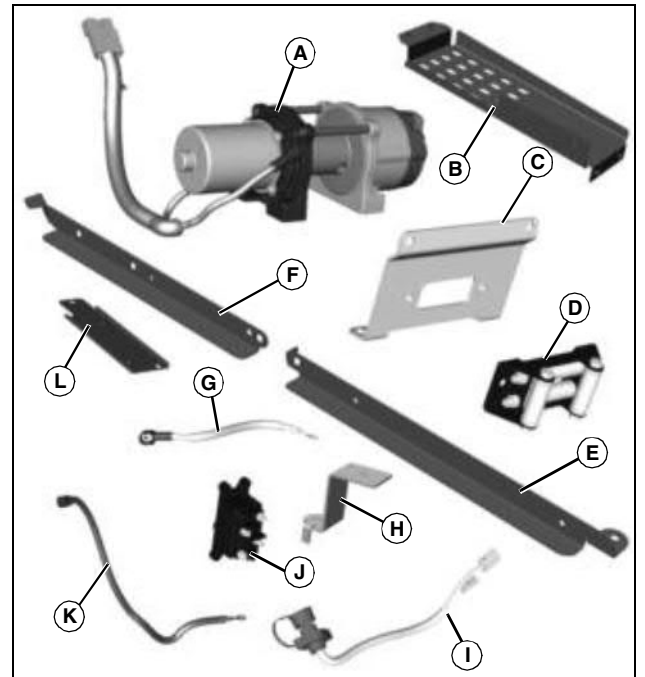
### Qty. Description

- | Qty. | Description                 |
|------|-----------------------------|
| 1    | Winch with Harness (A)      |
| 1    | Support, Winch Fairlead (B) |
| 1    | Fairlead Assembly (C)       |

# Assembly

## Model XUV550 S4

Qty.	Description
1	Bracket, Tunnel, Main Harness (D)
1	Support, Front Winch Harness (E)
1	Contactor - 12VDC (F)
1	Cable, Battery, Negative (G)
1	Cable, Battery, Positive (H)
1	Wiring Harness, Winch Remote Connector (I)
1	Clevis Hook with Strap
1	Remote Control
1	Wiring Harness, Winch
2	Carriage Bolt, M10x25
2	Locknut, M5
1	Locknut, M8
6	Locknut, M10
2	Bolt, M5x20
4	Bolt, M10x30
5	Bolt, M8x20
1	Push Retainer
5	Screw, Self-Tapping, M6x20
4	Nut, M6
1	Rosebud, Wiring Harness
2	Tie Strap



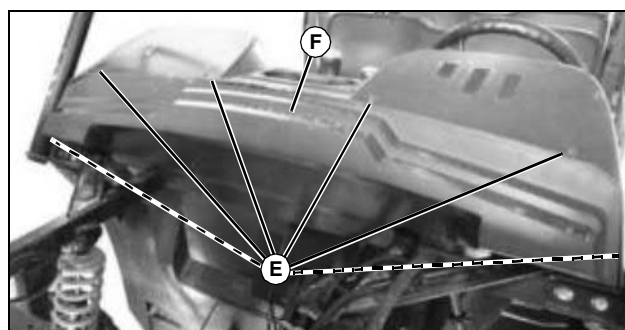
MX50203

Qty.	Description
1	Winch with Harness (A)
1	Shield, Prop (XUV 550 S4 Only) (B)
1	Support, Winch Fairlead (C)
1	Fairlead Assembly (D)
1	Bracket, Front Tunnel, (Front) (E)
1	Bracket, Middle Tunnel, (Rear) (F)
1	Cable, Battery, Positive (G)
1	Support, Main Harness Connector (H)
1	Wiring Harness, Winch Remote Connector (I)
1	Contactor - 12VDC (J)
1	Cable, Battery, Negative (K)
1	Bracket, Rear Tunnel, Main Harness (L)
1	Clevis Hook with Strap
1	Remote Control
1	Wiring Harness, Winch
3	Carriage Bolt, M8x16
2	Carriage Bolt, M10x25
2	Locknut, M5
3	Locknut, M8
6	Locknut, M10

## Preparing Vehicle

Qty.	Description
2	Bolt, M5x20
4	Bolt, M10x30
7	Bolt, M8x20, Self-Tapping
4	Bolt, M8x20
5	Screw, Self-Tapping, M6x20
4	Screw, Self-Tapping, M8x16
4	Nut, M6

**NOTE: Retain these installation instructions with the machine operator's manual.**



MX48892

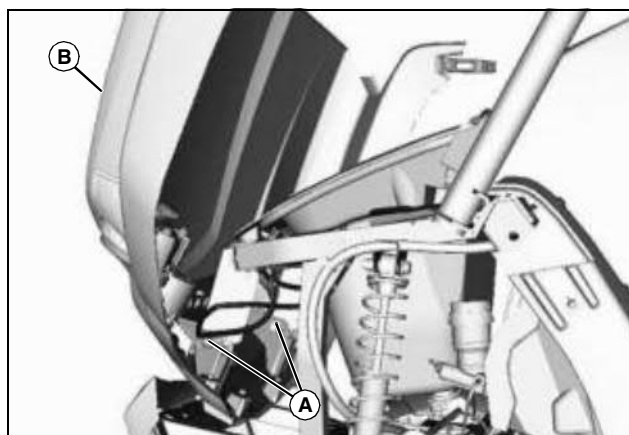
5. Remove six screws (E) and front panel (D) from vehicle.

6. Remove the lower seat assembly from the vehicle (Hardware will vary with seat installed).

## Preparing Vehicle

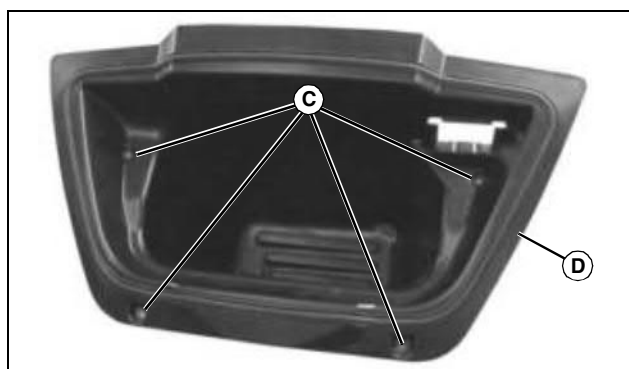
### Prepare Vehicle

1. Park vehicle safely. (See Parking Safely in the SAFETY section.)
2. Disconnect negative (-) and positive (+) cables from battery.



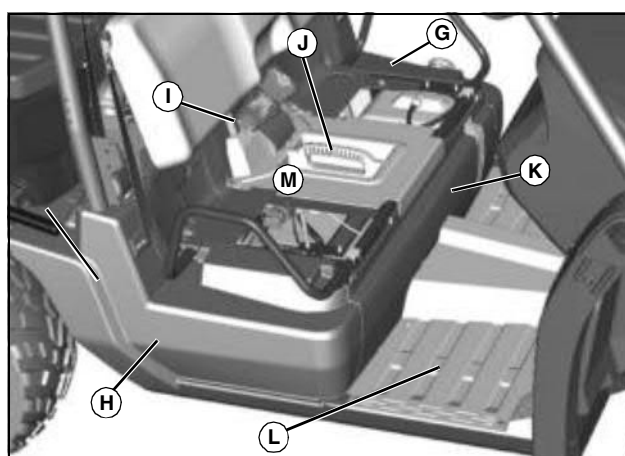
MX48894

3. Open hood and disconnect light wiring connectors. Remove two spring clips and clevis pins (A) and lift hood (B) from vehicle.



MX48891

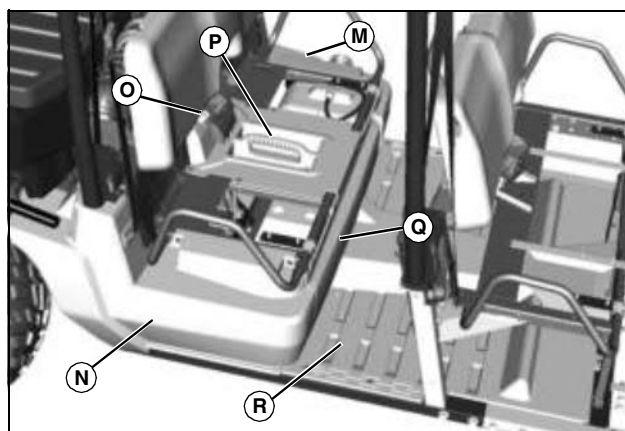
4. Remove four screws (C) and lift storage compartment (D) from vehicle.



MX48998

7. Remove the following from vehicle:

- a. Eleven screws and left (G) seat panel.
- b. Eleven screws and right (H) seat panel.
- c. One screw and upper seat belt trim panel (I) if equipped.
- d. Six screws and center storage tray (J) if equipped.
- e. Four screws and front seat panel (K).
- f. Ten screws and floor panel (L).

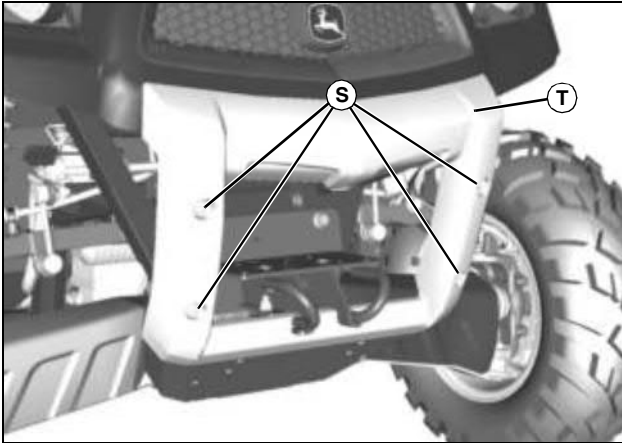


MX48999

8. XUV550 S4 models require the removal of the following additional components:

# Installing

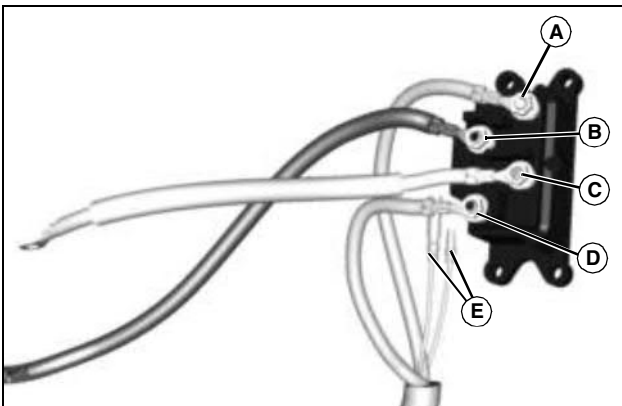
- a. Lower rear seat assembly from the vehicle (Hardware will vary with seat used).
- b. Eleven screws and left rear (M) seat panel.
- c. Eleven screws and right rear (N) seat panel.
- d. One screw and upper seat belt trim panel (O).
- e. Six screws and center storage tray (P).
- f. Four screws and front seat panel (Q).
- g. Eight screws and floor panel (R).



MX49099

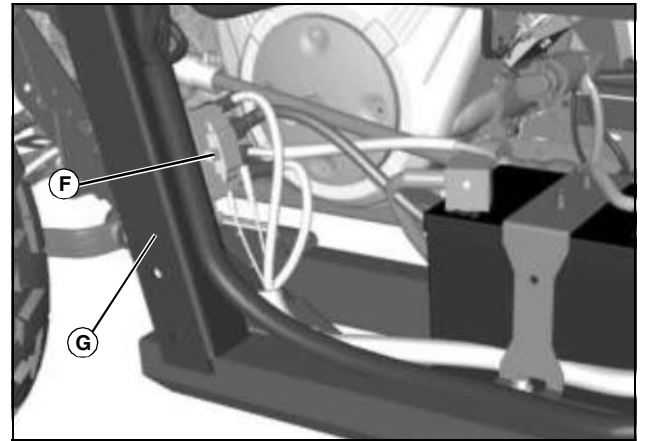
9. Remove four screws (S) and front bumper trim panel (T) from vehicle.

## Install Contactor



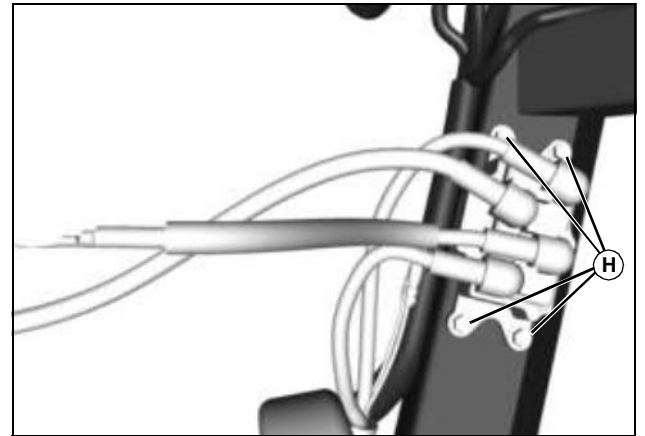
MX49000

1. Connect wires to contactor studs as follows:
  - a. Yellow winch harness lead to yellow stud (A).
  - b. Black negative (-) battery cable to black stud (B).
  - c. Red battery cable to red stud (C).
  - d. Blue winch harness lead to blue stud (D).
  - e. Position boots (not shown) on four leads installed over contactor studs.
  - f. Green and black harness bullet connectors (E) to mating leads on contactor.



MX50204

2. Position the contactor assembly (F) on the inside of the right rear vertical frame member (G) with all wires facing front of vehicle.



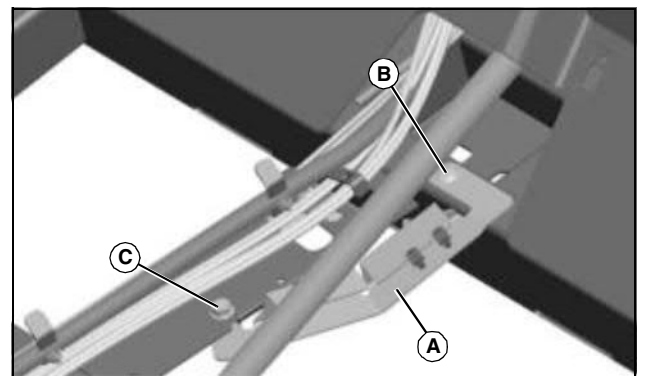
MX49001

3. Align the contactor mounting holes with the existing holes in the vertical frame member and install four M6x20 self-threading screws (H).

## Installing

### Install Wiring Harness Tunnel Brackets

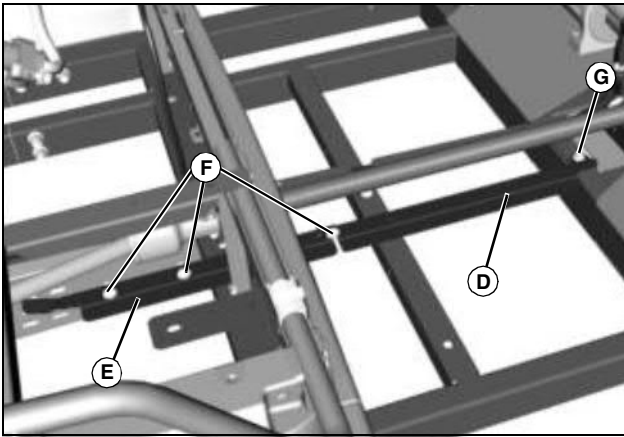
1. Install the main harness tunnel bracket(s) as follows:



MX50205

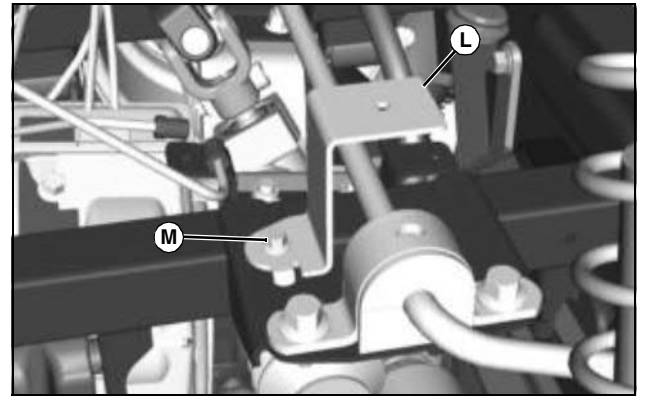
- a. Model XUV550 S2: Install the tunnel bracket (A) with one push retainer (B), and one M8x20 bolt (C) and one M8 locknut.

# Installing



MX50210

b. Model XUV550 S4: Install the front (D) and rear (E) front tunnel harness brackets with three M8x16 carriage bolts (F) and M8 locknuts, and one M8x16 self-threading screw (G).



MX49006

2. Install front winch harness support (L) on right frame bracket with one M6x20 self-threading screw (M).

## Install Winch Wiring Harness

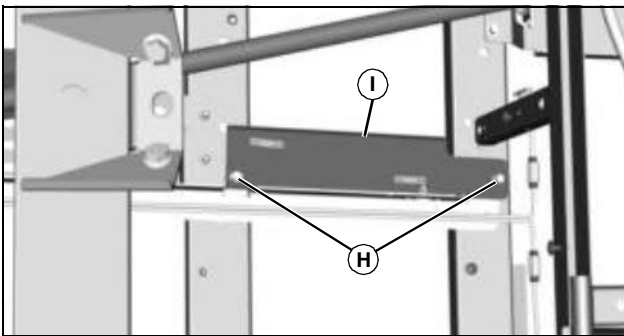


**CAUTION: Avoid injury! Damage to electrical cables and wires can result in serious injury or death caused by fire or electrocution.**

**Do not route electrical wiring across sharp edges, through moving parts, or near hot surfaces.**

**Keep wiring away from these hazards by securing with tie straps. Insulate all terminal connections with protective covers.**

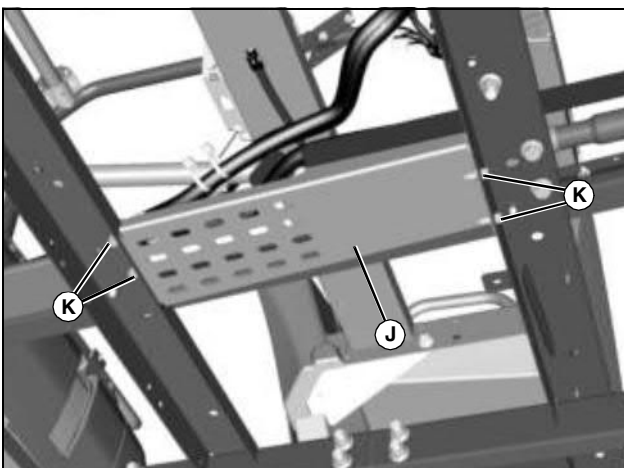
**IMPORTANT: Avoid damage! Do not connect contactor positive (+) and negative (-) cables to battery until specifically instructed.**



MX49005

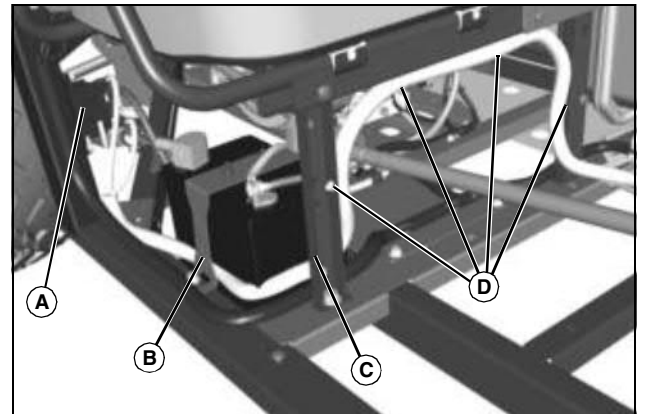
c. Model XUV550 S4: Remove two screws (H) at location shown.

d. Install the rear tunnel harness bracket (I) with two M8x16 self-threading screws.



MX50207

e. Model XUV550 S4: Install the prop shield (J) with four M8x16 self-threading screws (K).



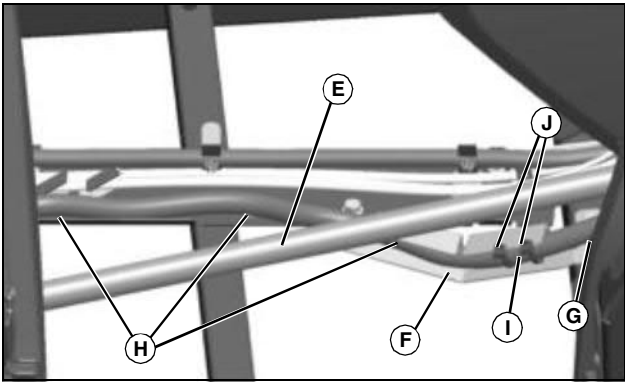
MX50208

1. Route the winch harness from the contactor (A), behind the battery hold down bracket (B) and around the front of the battery. Attach the first harness rosebud to the back of the seat frame (C).

2. Route the winch harness up the frame, across the top and down the center support. Attach harness rosebuds at four seat frame locations (D).

3. Model XUV550 S2: Continue routing the winch harness as follows:

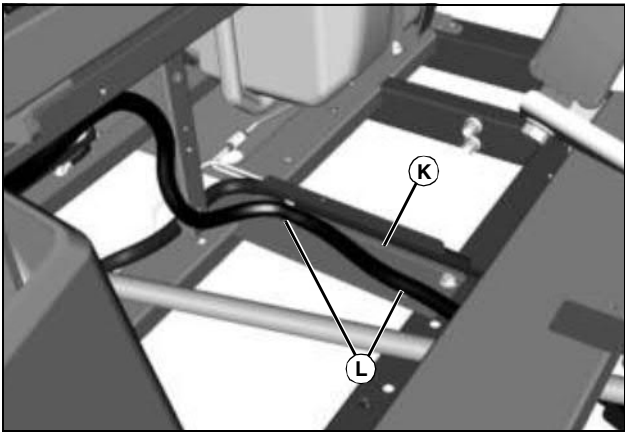
# Installing



MX50209

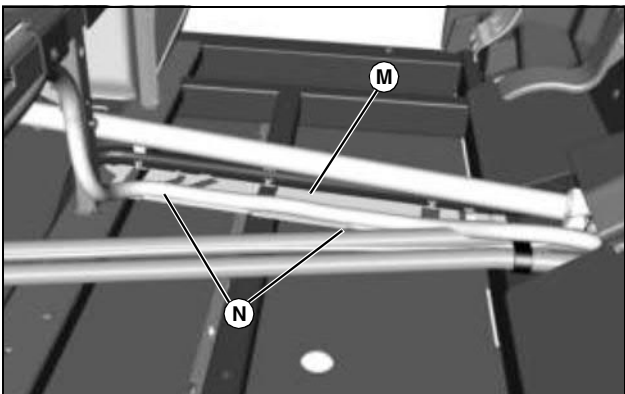
- a. Route harness under the driveshaft (E), through the tunnel bracket (F) and firewall (G) to the front of the machine.
- b. Attach harness rosebuds to machine at three locations (H).
- c. Install a rosebud in tunnel bracket at (I) and secure to harness with two tie straps (J).

4. Model XUV550 S4 and RSX850i: Continue routing the winch harness as follows:



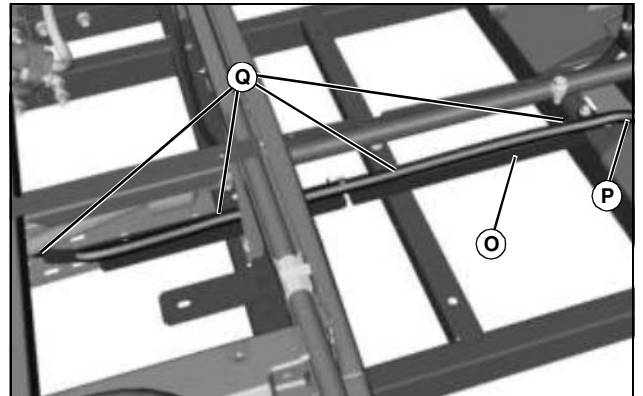
MX50211

- a. **XUV 550 S4:** Route harness across rear tunnel bracket (K) and attach with two rosebuds (L).



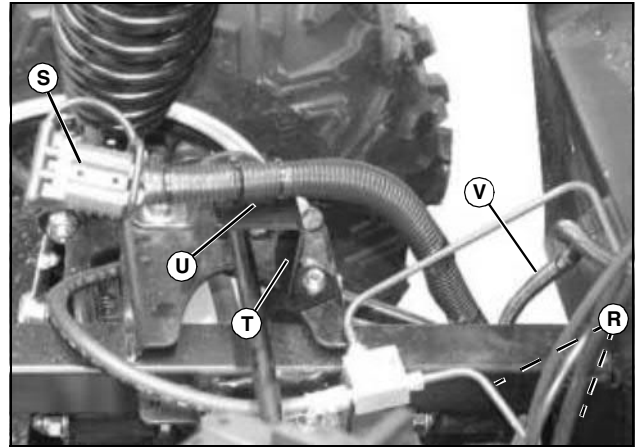
MX50212

- b. **RSX 850i:** Route harness across rear tunnel bracket (M) and attach with two rosebuds (N).



MX50206

- c. Route the remaining harness through the tunnel bracket (O) and firewall (P) to the front of the machine.
- d. Attach harness rosebuds to bracket at four locations (Q).

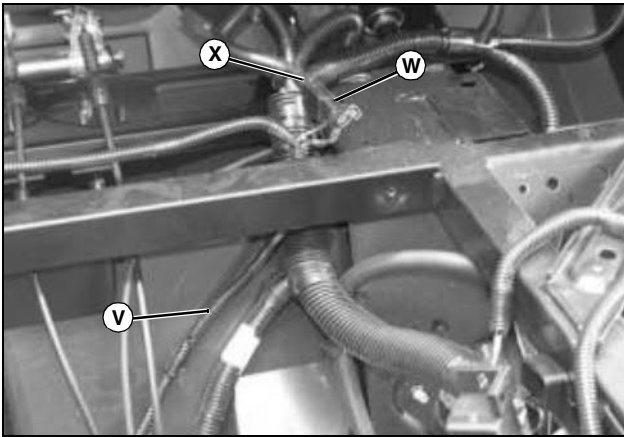


MX49092

- 5. As harness separates into two, install two harness rosebuds (R) to machine.
- 6. Route winch harness connector (S) over winch harness support bracket (T). Attach remaining rosebud on harness to top of support bracket (U).

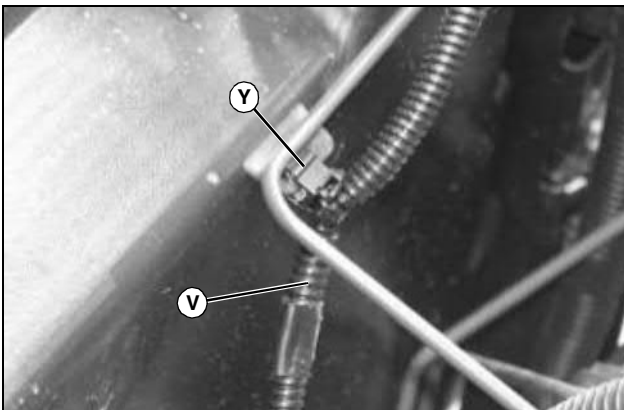
# Installing

**IMPORTANT: Avoid damage! Make sure wires are not kinked or pulled tight against any metal edges of vehicle frame before securing with tie straps.**



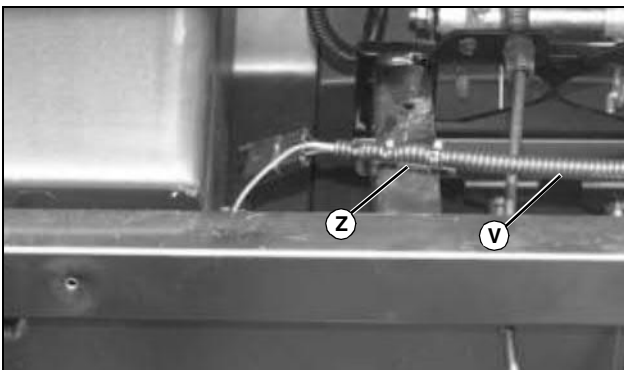
MX49098

7. Route the remaining harness (V) lead up the firewall to the back of the instrument panel. Attach the red/yellow/black winch harness connector (W) to the mating yellow/black connector on the machine harness (X).



MX49097

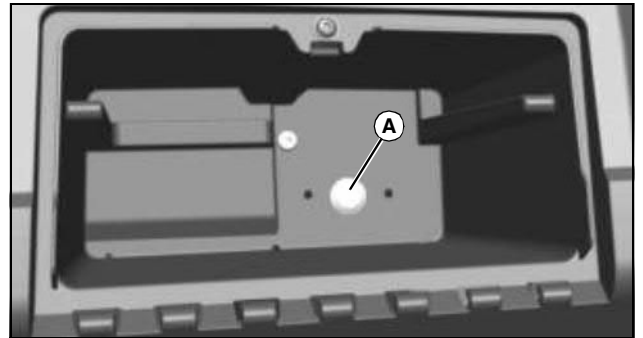
8. Install a tie strap retainer clip (Y) on the firewall tab. Remove the excess harness (V) slack below the brake line and secure the harness to the clip.



MX49096

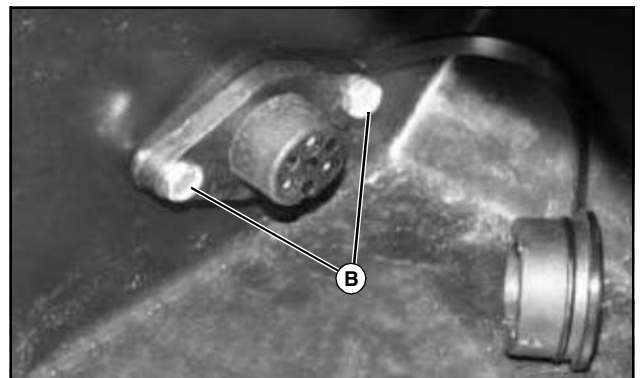
9. Route the remaining harness (V) lead to the passenger side of the machine and attach the harness rosebud (Z) to the frame.

## Install Winch Remote Control



MX50217

1. Remove the plug (A) in the rear of the glove box.
2. Insert winch remote connector into hole on inside of glove box.



MX49094

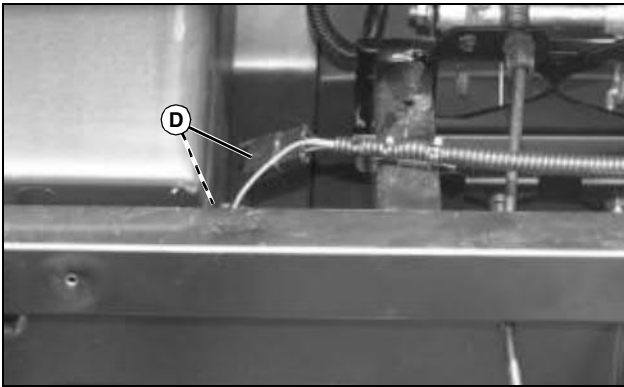
3. Install the remote connector with the keyway indexed down and secure with two M5x20 bolts (B) and M5 locknuts. Do not overtighten.



MX49095

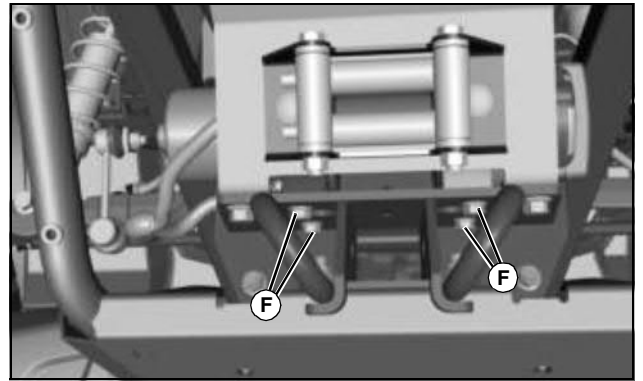
4. Plug remote control connector (C) into socket and store in glove box.

# Installing



MX49096

5. Attach two remote harness connectors to main harness connectors (D) installed behind instrument panel earlier.

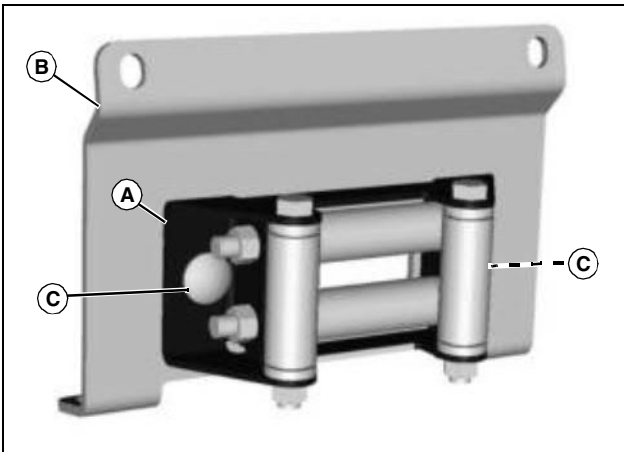


MX50213

4. Install winch on front hitch with four M8x20 bolts (F).

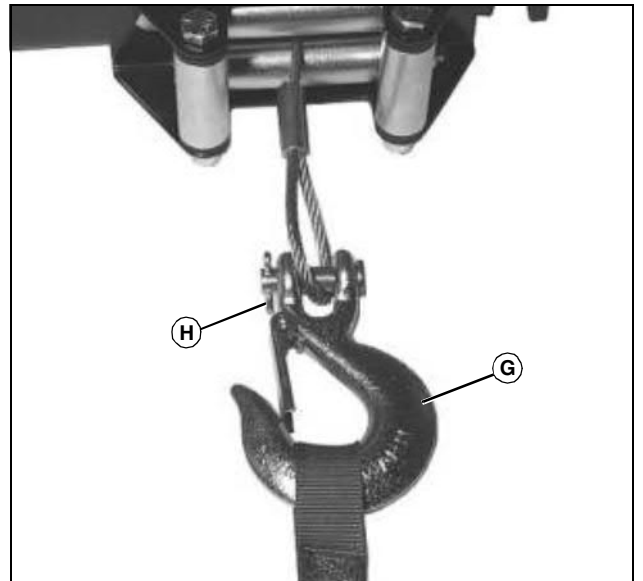
## Install Winch

1. Park vehicle safely. (See Parking Safely in the SAFETY section.)



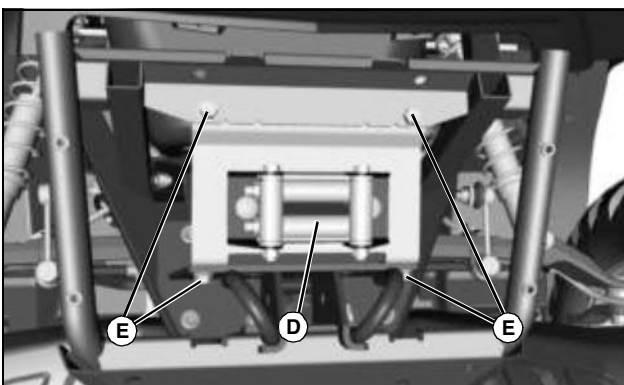
MX49101

2. Install fairlead (A) to support bracket (B) with two M10x25 carriage bolts (C) and M10 locknuts.



MX31642

5. Attach hook (G) to cable loop with drilled pin and cotter pin (H). Bend ends of cotter pin to secure.

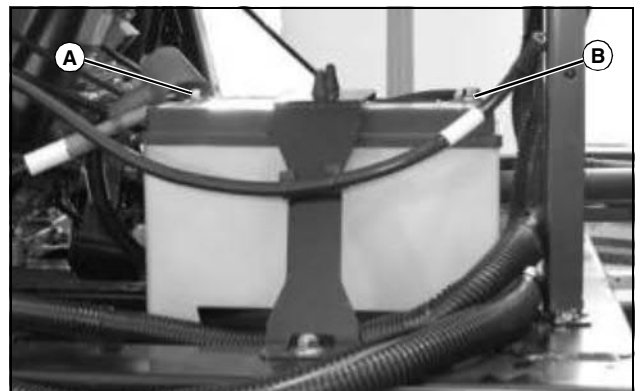


MX50214

3. Pull winch cable through fairlead rollers (D) and install fairlead assembly to machine with four M10x25 bolts (E) and M10 locknuts.

## Test Operation and Complete Installation

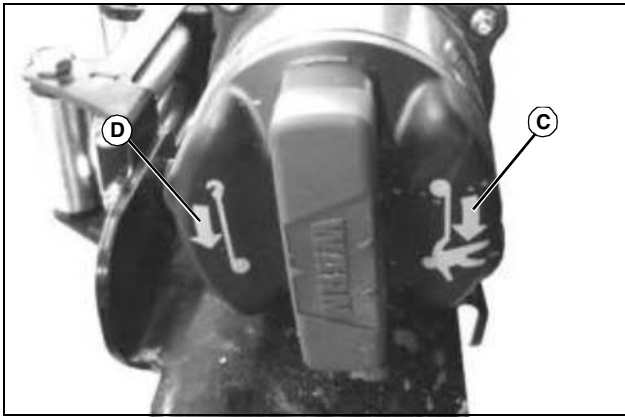
1. Park vehicle safely. (See Parking Safely in the SAFETY section.)



MX49103

2. Connect the contactor and machine positive (+) (A) and negative (-) (B) cables to battery.

# Installing

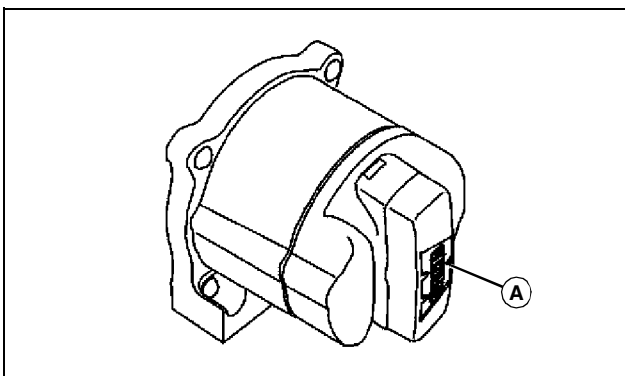


MX48995

3. Turn the winch control fully clockwise (C) into the freewheel mode and manually extend cable completely from drum.
4. Engage the winch by turning control fully counter-clockwise (D). Have an assistant lightly tension the winch cable and press the IN rocker switch on the remote control to rewind the cable onto the spool.
5. Have an assistant lightly tension the winch cable and press the OUT side of the remote rocker switch to extend the cable from the spool. The spool should not turn when the remote control switch is released.
6. Install all machine components removed in the PREPARE VEHICLE section, using the original hardware:
  - a. Floor panel(s).
  - b. Seat front and side panels.
  - c. Underseat storage tray.
  - d. Seat belt trim panels.
  - e. Seats
  - f. Instrument panel front cover.
  - g. Front storage compartment.
  - h. Hood and front light connectors

## Inspect and Test System

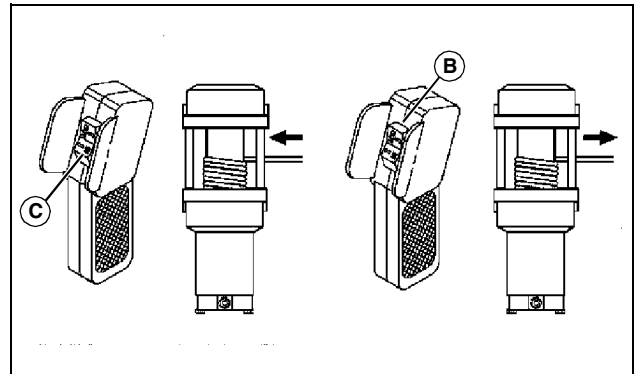
1. Check wiring to all components is correct and secure.
2. Make sure there are no exposed wires or terminals.
3. Make sure solenoid is mounted securely.



MX38999

4. Rotate clutch knob (A) counter-clockwise completely to engage clutch. (See label on clutch cover.)

5. Connect the winch quick disconnect harness to the front or rear mount wiring harness as applicable.
6. Turn vehicle key switch to run position.



MX31639

7. Push top (B) of toggle switch on the remote control. Make sure winch cable spools off drum.
8. Push bottom (C) of toggle switch on the remote control. Make sure winch cable spools in.
9. Turn key switch to stop position.
10. Disconnect the winch quick disconnect harness from the front or rear mount harness as applicable.
11. Install dust cover onto front or rear mount harness connector to keep it clean.
12. Install seat base panel and seats.
13. Install transaxle shift lever knob and differential lock lever knob.
14. Remove hook strap from hook. Store hook strap in a secure location.

## Stretch Winch Cable (New Cable Only)

**IMPORTANT: Avoid damage! New winch cable will bind and become damaged if not properly stretched before use. Stretch the winch cable under a minimum 227 kg (500 lb) load.**

1. Center vehicle approximately 15 m (50 ft) from a minimum 227 kg (500 lb) load. Do not exceed winch load capacity.
2. Park vehicle safely. (See Parking Safely in the SAFETY section.)
3. Connect the winch quick disconnect harness to the front or rear mount harness as applicable.

**CAUTION: Avoid injury! Winch cable can cause serious injury to hands. Wear gloves when handling winch cable. Always use hook strap when spooling. Do not let winch cable slide through hands even when wearing gloves.**

**Never winch with fewer than five wraps of cable around winch drum. Cable could break free from drum causing dangerous backlash.**

**Always inspect and carefully rewind winch cable after use.**

**Never step or stand over the winch cable.**

**Never hook back onto winch cable**

4. Spool out entire length of winch cable, leaving five wraps on the drum. Move vehicle closer to load if necessary.
5. Chock all wheels.

# Operating

6. Prepare the rigging for a single line pull.
7. Start the vehicle.
8. Place transaxle shift lever in neutral position.
9. Place differential lock lever in unlocked position.
10. Make sure park brake is locked.
11. Leave engine run to avoid draining battery.
12. Spool in the load to stretch the winch cable and create a tight wrap on the drum. Stop winching when hook is 1.2 m (4 ft) from roller fairlead.
13. Spool out enough slack to disconnect hook.
14. Install hook strap to hook and spool in all winch cable.
15. Turn key switch to stop position.
16. Disconnect the winch quick disconnect harness from the front or rear mount harness as applicable.
17. Install dust cover onto front or rear mount harness connector to keep it clean.
18. Store hook strap in a secure location.

cable around the drum, decreasing with each successive layer. Do not operate winch with fewer than five wraps of cable around the drum.

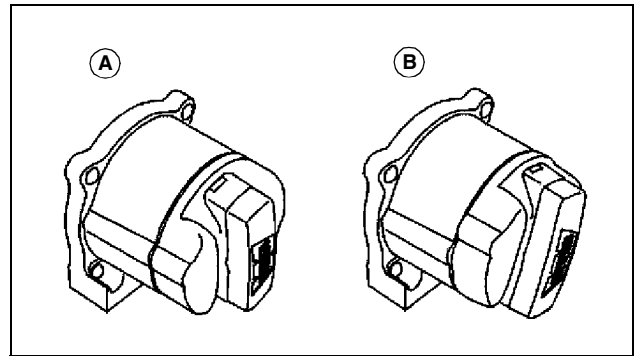
Cable Layer	Winch Power
1	1360 kg (3000 lb)
2	1170 kg (2580 lb)
3	1007 kg (2220 lb)
4	866 kg (1910 lb)

## Using the Clutch



**CAUTION: Avoid injury! Cable could break free from drum causing dangerous backlash. Never winch with fewer than five wraps of cable around winch drum.**

**IMPORTANT: Avoid damage! Use winch in an approved mounting application for the utility vehicles specified. Installing winch to other utility vehicles or to areas of the machine not recommended will void the vehicle and attachment warranties.**



MX38997

### Engage (A)

Engaging the clutch couples the internal gear train to the drum and allows power to be transferred from the winch motor.

Rotate clutch knob counter-clockwise completely to engage clutch. (See label on clutch cover.)

### Freespool (B)

Placing the clutch in the FREESPOOL position disengages the gear train from the motor and allows the drum to turn freely.

Rotate clutch knob clockwise completely to disengage clutch and shift to freespool. (See label on clutch cover.)

## Using the Remote Control

**IMPORTANT: Avoid damage! Do not operate winch with motor slowed to low rpm. Rapid heat build-up occurs when motor approaches stall speed.**

**Periodically stop winch and check motor. If motor is hot to the touch, shut down and let cool before proceeding.**

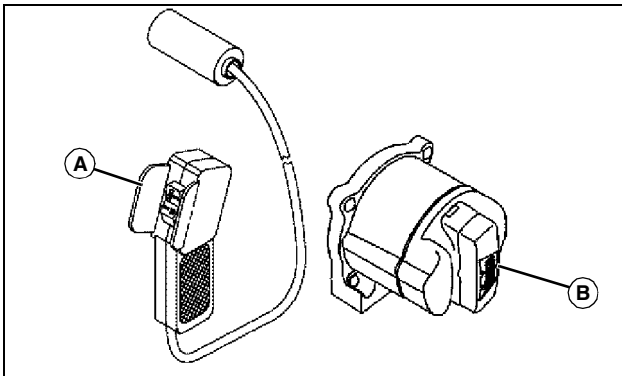
**Leave engine run when winching loads to avoid draining battery.**

## Operating

### Daily Operating Checklist

- Make sure winch mounting bracket is secure to bumper.
- Make sure all hardware is tight.
- Make sure winch cable and hook are in good condition.
- Check the remote control for proper operation.
- Make sure all rigging equipment is in good condition.
- Make sure vehicle battery is fully charged.

### Operator Controls



MX38998

A- Remote Control

B- Clutch Knob

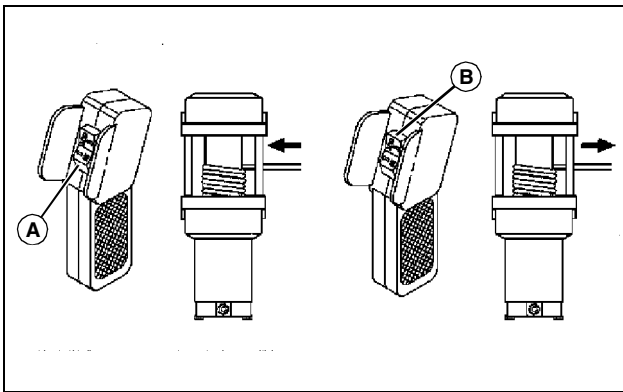
### Winch Pulling Power



**CAUTION: Avoid injury! Cable could break free from drum causing dangerous backlash. Never winch with fewer than five wraps of cable around winch drum.**

The greatest pulling power of the winch is available at the first layer of

# Operating



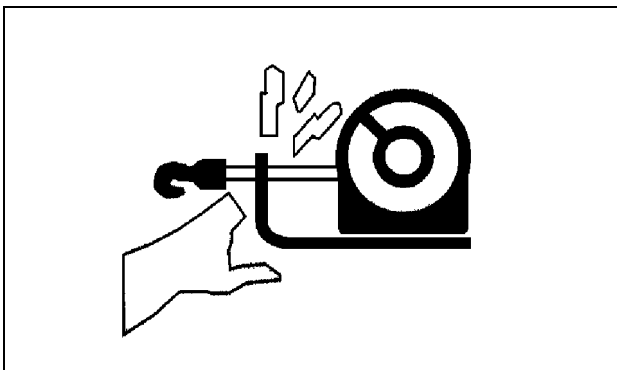
MX31639

Engage clutch before using remote control. Push bottom (A) of toggle switch to spool in the winch cable onto the drum. Push top (B) of toggle switch to spool out winch cable from drum. Release switch to stop rotation of drum.

The winch is rated for intermittent duty and should not be overloaded or allowed to overheat. Avoid damage by periodically stopping the winch and touching the motor. If motor is hot to the touch, stop and allow motor to cool.

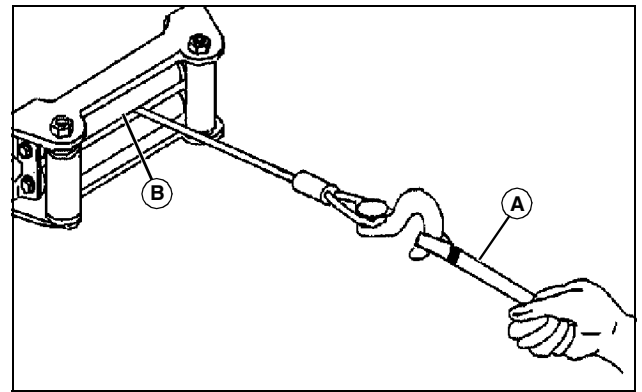
Double cable rigging reduces amperage draw from the motor and allows longer continual use.

## Using the Hook Strap



MX8310

**CAUTION: Avoid injury! Cable could break free from drum causing dangerous backlash. Never winch with fewer than five wraps of cable around winch drum.**



MX8311

Keep nylon hook strap (A) in a secure and convenient location on your vehicle. The hook strap must be used at all times when spooling to prevent hands from coming in contact with the winch cable, hook, and fairlead opening (B) during operation.

Place loop end of strap around winch hook. Hold other end of strap in hand when spooling.

## Spooling Out

**CAUTION: Avoid injury! Winch cable can cause serious injury to hands:**

- Wear gloves when handling the winch cable.
- Do not let winch cable slide through hands even when wearing gloves.
- Always use hook strap when spooling.

Winch cable can be spooled off the drum by using the remote control or by manually freespooling. Freespooling prevents battery drain and is the quickest way to remove large lengths of cable.

## Freespooling

1. Park vehicle safely. (See Parking Safely in the SAFETY section.)
2. Use the remote control to power out enough winch cable to remove any tension on the line.
3. Disengage clutch to the FREESPOOL position.
4. Attach hook strap to hook. Grasp hook strap and manually spool out enough cable for rigging.

## Power Spool Out

1. Stop the vehicle.
2. Lock the park brake.
3. Place transaxle shift lever in neutral position.
4. Leave engine run to avoid draining battery.
5. Use remote control to spool out winch cable. Make sure cable does not wrap over itself on the drum.

# Operating

## Spooling In



**CAUTION: Avoid injury! Winch cable can cause serious injury to hands. Wear gloves when handling winch cable. Always use hook strap when spooling. Do not let winch cable slide through hands even when wearing gloves.**

**Never winch with fewer than five wraps of cable around winch drum. Cable could break free from drum causing dangerous backlash.**

**Always inspect and carefully rewind winch cable after use.**

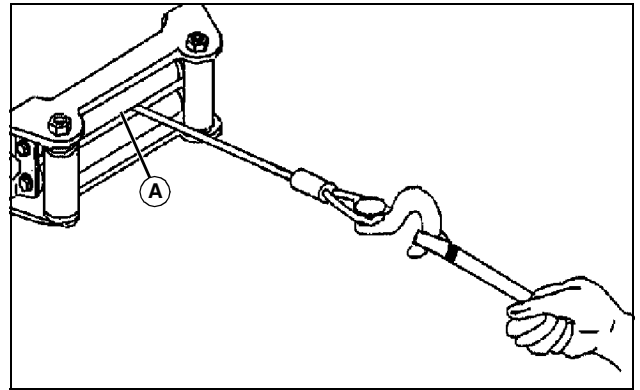
**Never step or stand over the winch cable.**

**Never hook back onto winch cable**

**IMPORTANT: Avoid damage! Spooling in too fast when removing slack can cause shock loads that exceed the winch and cable capacities. Prevent shock loads by using the remote control intermittently to take up slack.**

**Line up pulls as straight as possible to prevent stacking of cable on one side of drum. Stop winch if cable comes close to carrier plate or tie rods on winch. Reposition cable before continuing.**

**Always rewind winch line onto drum in the clockwise direction. Do not overtighten winch line when storing.**



MX8311

### Spooling In Under Load

1. Stop the vehicle.
2. Lock the park brake.
3. Place transaxle shift lever in neutral position.
4. Leave engine run to avoid draining battery.
5. Stand clear of loads.
6. Stand as far from winch as the remote control will allow.

**NOTE: Stop winching if cable becomes stacked on one end of drum due to side pull operation. Correct situation by spooling out uneven section of cable and repositioning it to opposite end of drum to provide space for continued winching.**

7. Spool in the winch cable evenly and tightly on the drum in a clockwise direction as viewed from motor end of winch.

### Spooling In Under No Load

#### Assisted:

1. Stop the vehicle.
2. Lock the park brake.
3. Place transaxle shift lever in neutral position.
4. Attach hook strap to hook.
5. Leave engine run to avoid draining battery.
6. Stand as far from winch as the remote control will allow.
7. Have an assistant hold the hook strap and maintain as much tension as possible on winch cable.
8. Power in the winch cable evenly and tightly on the drum in a clockwise direction as viewed from motor end of winch. Assistant should walk toward winch while maintaining tension.

9. Stop winching when hook is a minimum of 1.2 m (4 ft) from roller fairlead (A).

10. Remove strap from hook.

11. Do not hold hook or winch cable with hand.

12. Operate remote control intermittently until slack is removed from winch cable. Do not overtighten.

13. Store hook strap in a secure location.

#### Unassisted:

1. Stop the vehicle.

2. Lock the park brake.

3. Place transaxle shift lever in neutral position.

4. Attach hook strap to hook.

5. Leave engine run to avoid draining battery.

6. Make sure existing cable on drum is evenly and tightly layered.

7. Arrange winch cable so it will not kink or tangle when spooled.

8. Stand as far from winch as the remote control will allow.

9. Spool in enough cable to complete next full layer on drum.

10. Repeat process until hook is a minimum of 1.2 m (4 ft) from roller fairlead (A).

11. Remove strap from hook.

12. Operate remote control intermittently until slack is removed from winch cable. Do not overtighten.

13. Store hook strap in a secure location.

### Selecting an Anchor Point

Select an anchor point as far away as practical and strong enough to withstand the load. Spooling out as much cable as possible provides the winch with its greatest pulling power and minimizes cable damage caused by top layers mashing down into bottom layers during short pulls.

Another vehicle may be used as the anchor point, but natural anchors such as trees, stumps, and rocks are often most convenient. If natural anchors are not available, objects such as a spare tire or log can be partially buried to serve as a suitable anchor point.

If several anchors are available but not strong enough individually, it may be possible to attach a chain or strap around the group of anchors to form a strong collective anchor point.



**Suggest:**

**If the above button click is invalid.**

**Please download this document**

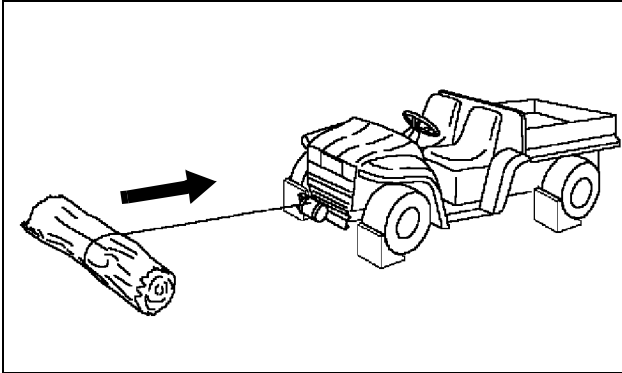
**first, and then click the above link**

**to download the complete manual.**

**Thank you so much for reading**

# Operating

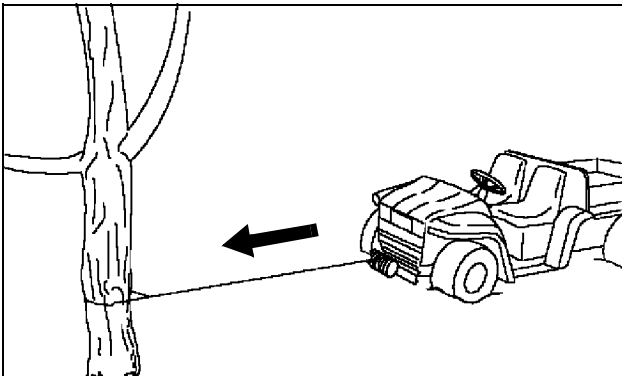
## Using Vehicle as the Anchor Point



MX8307

1. Stop vehicle so it is lined up as straight as possible with the load.
2. Park vehicle safely. (See Parking Safely in the SAFETY section.)
3. Chock all wheels.
4. Prepare the rigging.
5. Start the vehicle.
6. Place transaxle shift lever in neutral position.
7. Place differential lock lever in unlocked position.
8. Make sure park brake is locked.
9. Leave engine run to avoid draining battery.
10. Proceed with winching operation.

## Preparing Vehicle for Self-Recovery



MX8308

1. Park vehicle safely. (See Parking Safely in the SAFETY section.)
2. Select a suitable anchor point.
3. Clear debris from path of vehicle movement and around the tires and frame.
4. Prepare the rigging.
5. Start the vehicle.
6. Place transaxle shift lever in neutral position.
7. Place differential lock lever in unlocked position.
8. Unlock the park brake.
9. Leave engine run to avoid draining battery.
10. Proceed with winching operation.

## Preparing the Rigging



**CAUTION: Avoid injury! A winch cable under load can backlash with great force if cable breaks or detaches from anchor point. Prepare the rigging safely:**

- Make sure anchor point will withstand the load. Do not exceed the winch capacity.
- Never wrap the winch cable around anchor and hook it back around itself. Always use a chain, cable, or tree trunk protector around the anchor.
- Attach chain or cable as low as possible on anchor point to prevent pulling down anchor.
- Never use a nylon strap to anchor around an object.

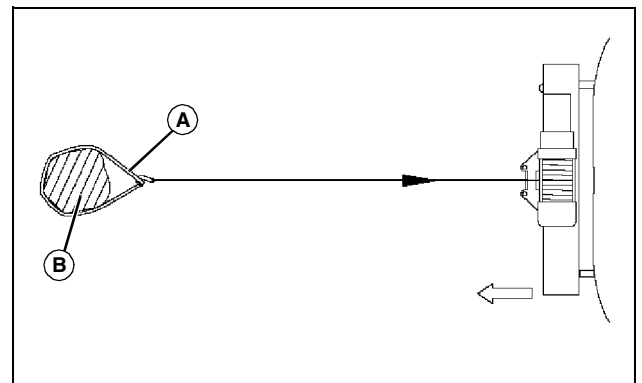
Single and double line rigging are common techniques. Most single line pulls are made with a straight cable connection to an anchor point. Double line rigging involves use of a pulley block. Double line pulls will reduce the load on the winch to half with little affect on spooling speed. Double line rigging is useful for moving very heavy loads as it doubles the power of your winch.

Keep in mind the greatest pulling power of the winch is provided on the first layer of the drum. Therefore, always attempt to rig your pulls with as much cable spooled out as possible. Never, under any circumstances, winch with less than five wraps of cable around the drum or the cable could break loose and cause serious injury.

Try to align pulls as straight as possible to prevent uneven wrapping of the winch line. Too much cable on one end of the drum will damage the winch or cable.

Take the time to properly prepare the rigging for safe and effective operation.

## Single Line Pull For Vehicle Recovery



MX6797

1. Secure chain (A) around anchor point (B).
2. Spool out winch cable and attach to chain.

**<https://www.ebooklibonline.com>**

Hello dear friend!

Thank you very much for reading.

Enter the link into your browser.

The full manual is available for immediate download.

**<https://www.ebooklibonline.com>**