

JOHN DEERE
WORLDWIDE COMMERCIAL & CONSUMER
EQUIPMENT DIVISION

Top Dresser
TD100

OMTCU30141 D1

OPERATOR'S MANUAL



JOHN DEERE

Original Instruction

All information, illustrations and specifications in this manual are based on the latest information at the time of publication. The right is reserved to make changes at any time without notice.

COPYRIGHT© 2011
Deere & Co.

John Deere Worldwide Commercial and Consumer Equipment Division

All rights reserved
Previous Editions
COPYRIGHT©

North American Version
Litho in U.S.A.

Introduction

Table of Contents

Introduction.....	1
Product Identification.....	1
Safety Labels.....	3
Safety Labels.....	4
Safety.....	5
Preparing Vehicle.....	6
Assembly.....	7
Installing.....	9
Removing and Storing.....	11
Operating.....	15
Service Intervals.....	16
Service.....	16
Troubleshooting.....	19
Specifications.....	20
Getting Quality Service.....	20

Introduction

Using Your Operator's Manual

Read this entire operator's manual, especially the safety information, before operating.

This manual is an important part of your machine. Keep all manuals in a convenient location so they can be accessed easily.

Use the safety and operating information in the attachment operator's manual, along with the machine operator's manual, to operate and service the attachment safely and correctly.

If your attachment manual has a section called Preparing the Machine, it means that you will have to do something to your tractor or vehicle before you can install the attachment. The Assembly and Installation sections of this manual provide information to assemble and install the attachment to your tractor or vehicle. Use the Service section to make any needed adjustments and routine service to your attachment.

If you have any questions or concerns with the assembly, installation, or operation of this attachment, see your local John Deere dealer or call the John Deere Customer Contact Center at 1-800-537-8233 for assistance.

Warranty information on this John Deere attachment can be found in the warranty that came with your John Deere tractor or vehicle.

Product Identification

Product Compatibility

The TD100 Top Dresser Attachment Attachment is compatible with the ProGator™ utility vehicles.

Record Identification Numbers

Top Dresser

TD100 Serial No. (010001-)

If you need to contact an Authorized Service Center for information on servicing, always provide the product model and serial number.

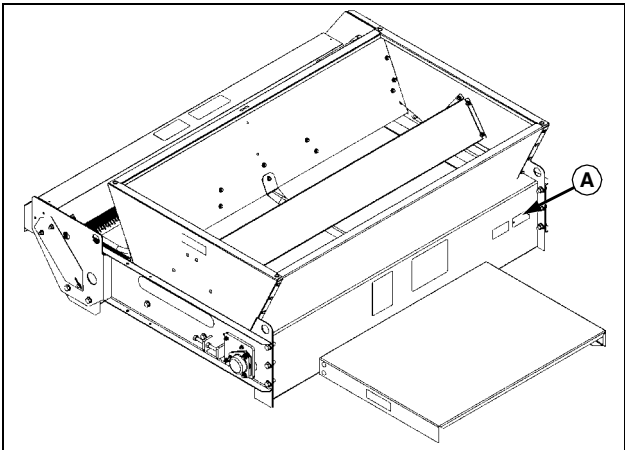
You will need to locate the model and serial number for the machine and for the engine of your machine and record the information in the spaces provided below.

DATE OF PURCHASE:

DEALER NAME:

DEALER PHONE:

Product Identification



MX3670

SERIAL NUMBER (A):

<https://www.ebooklibonline.com>

Hello dear friend!

Thank you very much for reading.

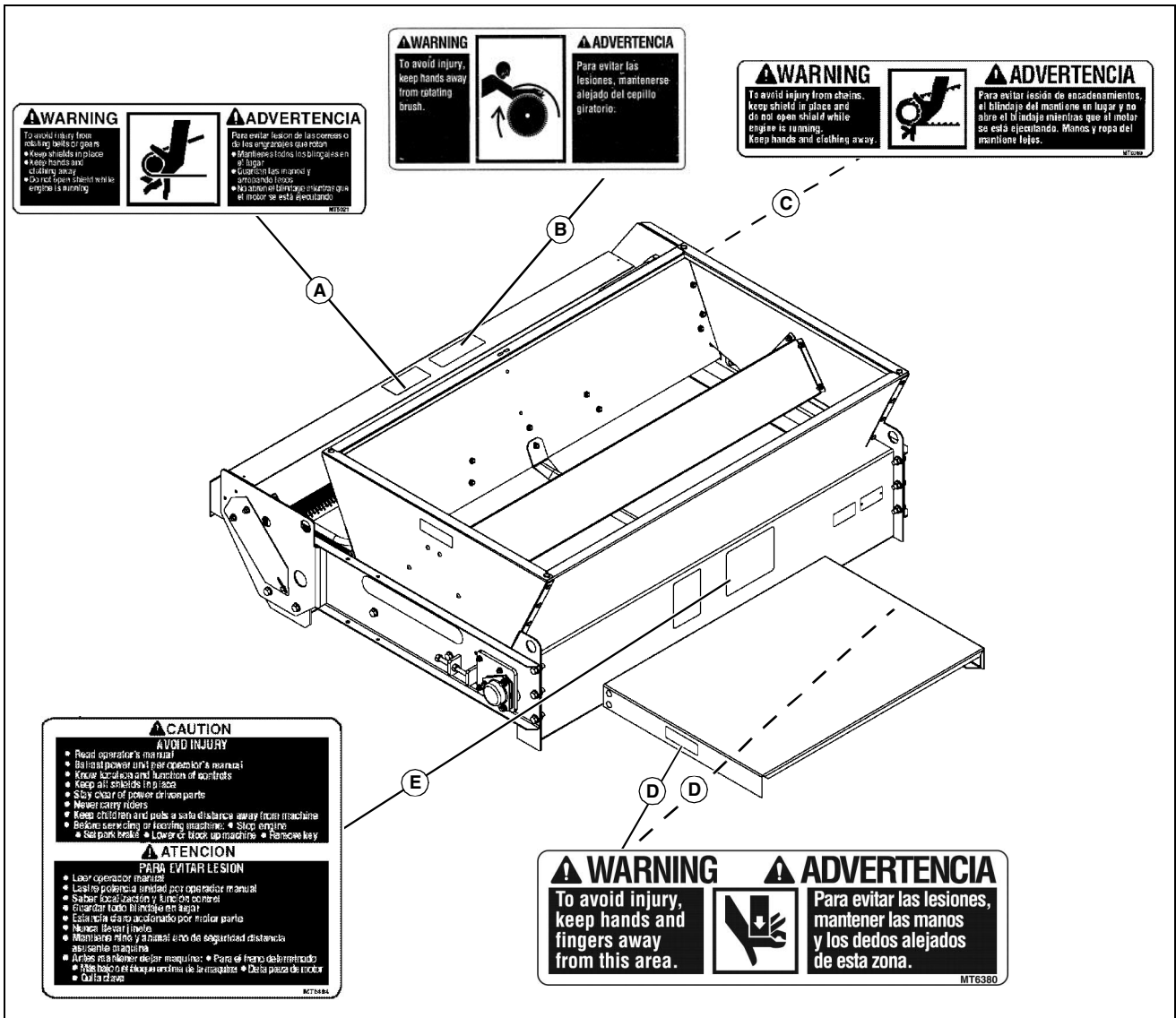
Enter the link into your browser.

The full manual is available for immediate download.

<https://www.ebooklibonline.com>

Safety Labels

Safety Labels



MX3670

Picture Note: Use label number listed in table below to locate complete text of safety label message following this illustration.

- A- WARNING - MT5021
- B- WARNING - TCU51354
- C- WARNING - MT6069
- D- WARNING - MT6380
- E- CAUTION - MT6484

Safety Labels

Safety Labels



Understanding The Machine Safety Labels

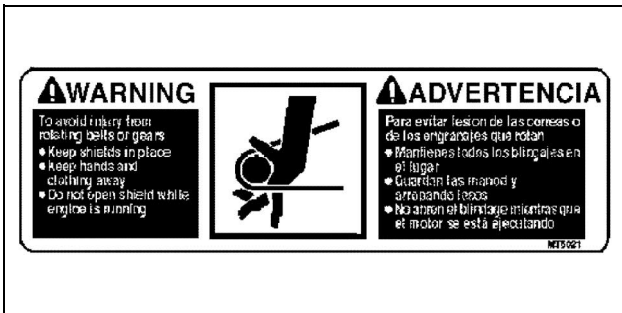
The machine safety labels shown in this section are placed in important areas on your machine to draw attention to potential safety hazards.

On your machine safety labels, the words DANGER, WARNING, and CAUTION are used with this safety-alert symbol. DANGER identifies the most serious hazards.

The operator's manual also explains any potential safety hazards whenever necessary in special safety messages that are identified with the word, CAUTION, and the safety-alert symbol.

There can be additional safety information contained on parts and components sourced from suppliers that is not reproduced in this operator's manual.

WARNING MT5021



MT5021

To avoid injury from rotating belts or gears

- Keep shields in place
- Keep hands and clothing away
- Do not open shield while engine is running

WARNING TCU51354



TCU51354

To avoid injury, keep hands away from rotating brush.

WARNING MT6069



MT6069

To avoid injury from chains, keep shield in place and do not open shield while engine is running. Keep hands and clothing away.

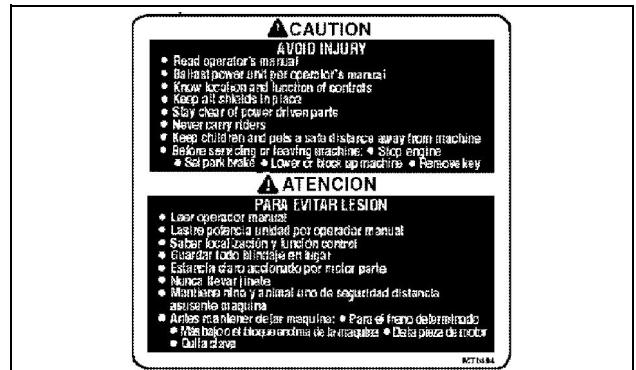
WARNING MT6380



MT6380

To avoid injury, keep hands away from rotating brush.

CAUTION MT6484



MT6484

AVOID INJURY

- Read operator's manual
- Ballast power unit per operator's manual
- Know location and function of controls
- Keep all shields in place
- Stay clear of power driven parts
- Never carry riders
- Keep children and pets a safe distance away from machine
- Before servicing or leaving machine:

Safety

- Stop engine
- Set park brake
- Lower or block up machine
- Remove key

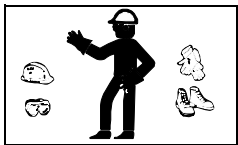
Safety

Read Safety in Machine Operator's Manual

Read the general safety operating precautions in your machine operator's manual for additional safety information.

Operating Safely

- Keep bystanders away and all body parts clear of conveyor belt, rotary brush, and attachment pivot areas.
- Check vehicle brake action before you operate. Adjust or service brakes as necessary.
- Inspect attachment before you operate. Be sure hardware is tight. Repair or replace damaged, badly worn, or missing parts. Be sure guards and shields are in good condition and fastened in place. Make any necessary adjustments before you operate.
- NEVER operate attachment hydraulic system without installing attachment to vehicle.
- DO NOT leave attachment unattended when it is running or when hopper is in the raised position.
- Only operate during daylight or with adequate artificial light.
- Before you back up, look carefully to the rear for bystanders.
- Avoid injury from thrown objects. never stand in the path of the material being spread.
- Never travel or operate the attachment with the hopper raised.
- Always empty the attachment before removing it from vehicle.
- Do not let anyone, especially children, ride in or on the attachment.
- Do not let an untrained person operate the attachment.
- Do not wear radio or music headphones while operating the attachment. Safe operation requires your full attention.

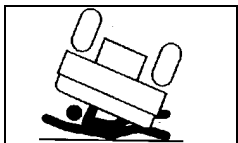


Wear Appropriate Clothing

- Wear close fitting clothing and safety equipment appropriate for the job.
- Certain operating conditions may dictate that the operator and any passenger wear

appropriate safety equipment while operating the vehicle. Be prepared for any existing and potential conditions before operating machine.

- Local safety or insurance regulations may require additional safety equipment such as eye protection or a hard hat.
- Always wear substantial footwear and long trousers. Do not operate the equipment when barefoot or wearing open sandals.



Avoid Tipping

Accidents resulting in serious injury or death can occur from tipping the utility vehicle. Observe the following practices to help prevent accidents:

- Do not misuse the utility vehicle. The utility vehicle is not designed for recreational riding.

- Drive very slowly when turning. Sharp turns could cause the utility vehicle to tip over.
- Reduce speed and exercise extreme caution on slopes or on rough ground.
- Do not overload vehicle and avoid shifting loads. Reduce load when operating over rough or hilly terrain.
- Do not stop or start suddenly when going uphill or downhill. Be especially cautious when changing direction on slopes.
- Stay alert for holes, rocks, and other hidden hazards in the terrain.
- Keep away from drop-offs, ditches, embankments, as well as ponds and other bodies of water. The machine could suddenly roll over if a wheel goes over the edge of a cliff or ditch or if the edge caves in.
- Keep front wheels straight at crest of hill or going over bumps.
- When descending a hill, remove foot from accelerator and apply brakes to reduce speed and maintain control.
- Do not make changes or modifications to the utility vehicle.

Practice Safe Maintenance

- Only qualified, trained adults should service this machine.
- Understand service procedure before doing work. Keep area clean and dry.
- Do not operate the engine in a confined space where dangerous carbon monoxide fumes can collect.
- Never lubricate, service or adjust the machine or attachment while it is moving. Keep safety devices in place and in working condition. Keep hardware tight.
- Keep hands, feet, clothing, jewelry, and long hair away from any moving parts, to prevent them from getting caught.
- Lower any attachment completely to the ground or to an existing attachment mechanical stop before servicing the attachment. Disengage all power and stop the engine. Lock park brake and remove the key. Let machine cool.
- Disconnect battery or remove spark plug wire (for gasoline engines) before making any repairs.
- Before servicing machine or attachment, carefully release pressure from any components with stored energy, such as hydraulic components and springs.
- Release hydraulic pressure by lowering attachment or cutting units to the ground or to a mechanical stop and move hydraulic control levers.
- Securely support any machine or attachment elements that must be raised for service work. Use jack stands or lock service latches to support components when needed.
- Never run engine unless park brake is locked.
- Keep all parts in good condition and properly installed. Fix damage immediately. Replace worn or broken parts. Replace all worn or damaged safety and instruction decals.
- Check all hardware at frequent intervals to be sure the equipment is in safe working condition.
- Do not modify machine or safety devices. Unauthorized modifications to the machine or attachment may impair its function and safety.

Preparing Vehicle



Avoid High Pressure Fluids

• Hydraulic hoses and lines can fail due to physical damage, kinks, age, and exposure. Check hoses and lines regularly. Replace damaged hoses and lines.

- Hydraulic fluid connections can loosen due to physical damage and vibration. Check connections regularly. Tighten loose connections.
- Escaping fluid under pressure can penetrate the skin causing serious injury. Avoid the hazard by relieving pressure before disconnecting hydraulic or other lines. Tighten all connections before applying pressure.
- Search for leaks with a piece of cardboard. Protect hands and body from high pressure fluids.
- If an accident occurs, see a doctor immediately. Any fluid injected into the skin must be surgically removed within a few hours or gangrene may result. Doctors unfamiliar with this type of injury should reference a knowledgeable medical source. Such information is available from Deere & Company Medical Department in Moline, Illinois, U.S.A. Information may be obtained in the United States and Canada only by calling 1-800-822-8262.

Using the Lift Cylinder Safety Support

To safely service vehicle always use the lift cylinder safety support.

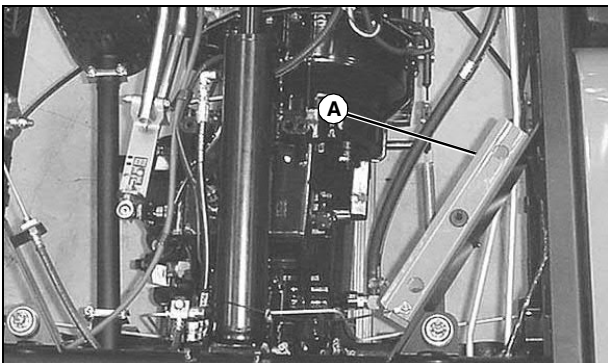


CAUTION: Avoid injury! Attachment is heavy and can crush.

- Support any raised attachment with a mechanical lock or other safe method before servicing.
- Empty all material from any attachment before servicing.

Installing:

1. Empty attachment.
2. Fully raise attachment to service position.
3. Park vehicle safely. (See Parking Safely in the Safety section.)



MX14992

4. Remove safety support (A) from stored position in the rear of the vehicle on the right side.



MX14982

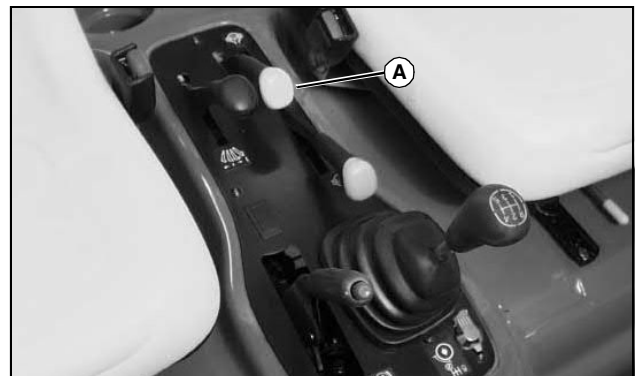
5. Install safety support onto the lift cylinder rod (B). Be sure the lift cylinder rod is seated properly between the safety support rubber grommets (C).

Removing:

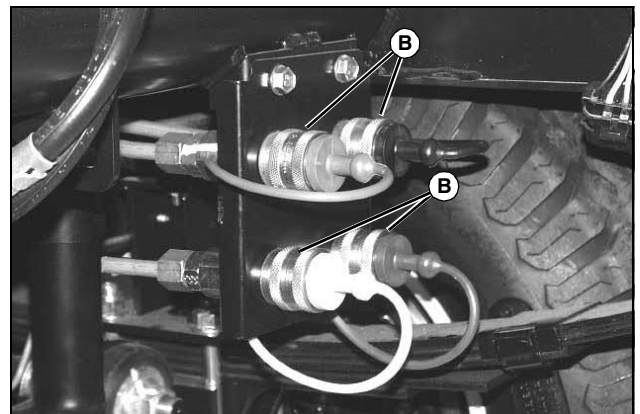
1. Remove safety support from the lift cylinder rod.
2. Return safety support to the stored position.
3. Lower attachment.

Preparing Vehicle

Vehicle Requirements



MX2912

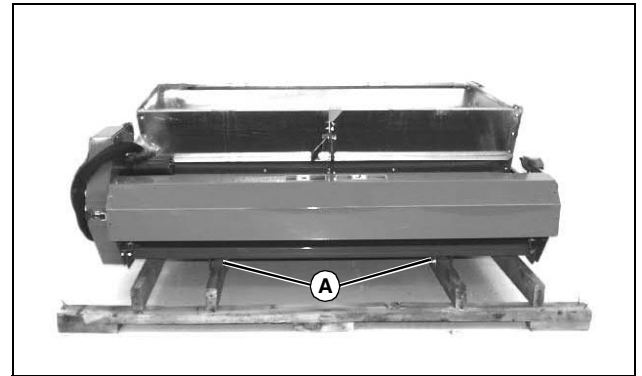


MX2928

Assembly

The ProGator must be equipped with an optional Auxiliary Hydraulic Kit for operation of this attachment. If vehicle is equipped with PTO control lever (A), four quick couplers (B) at rear of vehicle, an auxiliary hydraulic tank, and oil cooler, the Auxiliary Hydraulic Kit is installed. If necessary, see your John Deere Dealer to order kit.

It is recommended that the ProGator also be equipped with optional Throttle/Governor Control Kit to help maintain consistent travel speed over varying types of terrain. Uncontrolled vehicle speed may result in uneven spread coverage.

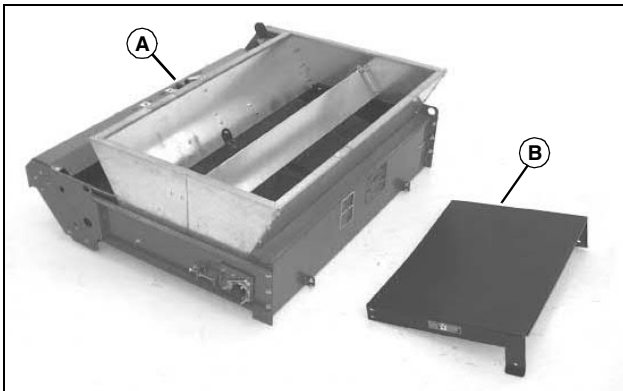


MX3649

5. Remove shipping bolts and washers from pivot hinges (A). Discard the hardware.

Assembly

Identify Parts



MX3647

- A- Top Dresser
- B- Engine Cover

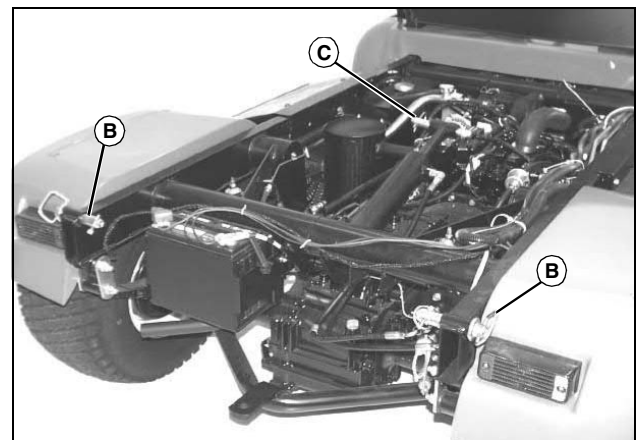
Bag of Parts

Qty.	Part Description
4	Carriage Bolt
4	Lock Nut
2	Tie Strap, 1/2 x 20 in.

Assemble the Attachment

NOTE: Lifting device must meet minimum lift capacity of 450 kg (1000 lb).

1. Place the attachment within working distance of an overhead crane or other safe lifting device.
2. Park vehicle safely beside the attachment.
 - a. Stop vehicle on a level surface, not on a slope.
 - b. Lock the park brake.
 - c. Stop the engine.
 - d. Remove the key.
 - e. Before you leave the operator's seat, wait for engine and all moving parts to stop.
3. Remove and discard the crating material from sides and top of shipping pallet. Avoid damaging the pallet. It should be kept for removal and storage of the attachment.
4. Cut and discard the strapping material securing front of attachment to pallet.



MX3650

6. Remove the quick-lock and pivot pins (B) from rear of vehicle.

7. Remove spring locking pin, washer, and cylinder pin (C) from lift cylinder.

8. Start vehicle. Extend the lift cylinder rod approximately 15 cm (6 in.) from the completely retracted position.

9. Shut off engine and remove the key.



Suggest:

If the above button click is invalid.

Please download this document

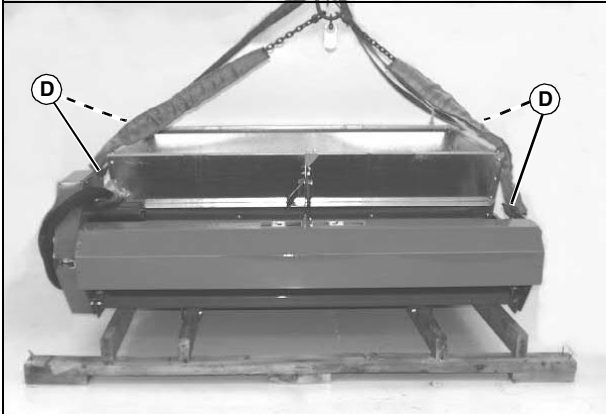
first, and then click the above link

to download the complete manual.

Thank you so much for reading

Assembly

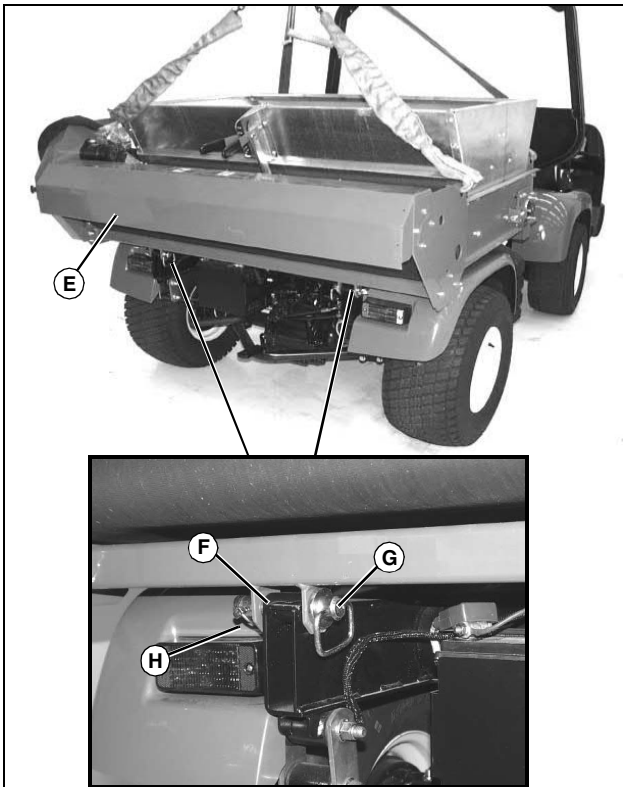
CAUTION: Avoid injury! Machine component or attachment is heavy. Use a safe lifting device or get an assistant to help lift, install or remove component or attachment.



MX3648

10. Secure lifting slings or chains to lift eyes (D).

NOTE: Retain the shipping pallet for removal and storage of the attachment.



MX3651, MX3652

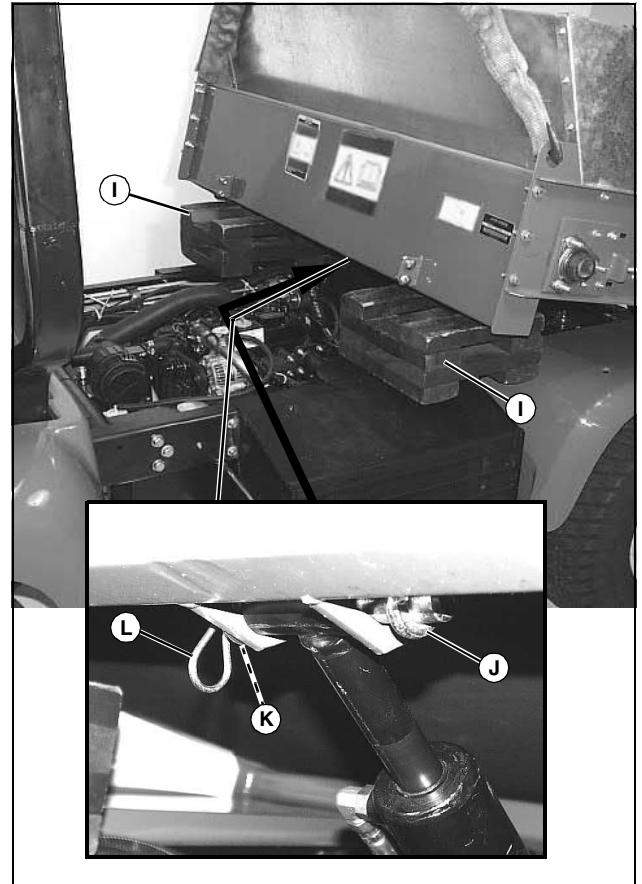
11. Raise and maneuver attachment over vehicle frame with brush assembly (E) to rear of vehicle.

12. Align each clevis (F) with mounting holes in rear frame of vehicle.

13. Install each pivot pin (G). Secure with quick-lock pins (H).

14. Lower attachment completely onto vehicle frame.

15. Remove lift straps or chains from rear of attachment. Leave front straps or chains in place.



MX3653a, MX3654

16. Raise front of attachment slightly to provide access to the lift cylinder. Install safety stands (I) between attachment and vehicle frame.

17. Guide the lift cylinder rod into clevis on bottom side of attachment.

18. Raise or lower attachment as needed using the lifting device until hole in cylinder rod aligns with holes in clevis.

19. Install cylinder pin (J). Secure with washer (K) and spring locking pin (L).

20. Obtain the hardware from the bag of parts.

<https://www.ebooklibonline.com>

Hello dear friend!

Thank you very much for reading.

Enter the link into your browser.

The full manual is available for immediate download.

<https://www.ebooklibonline.com>