

JOHN DEERE STRAW SPREADER FOR 6600, 6601, 6602, AND 7700 COMBINES



OPERATORS MANUAL JOHN DEERE STRAW SPREADER FOR 6600, 6601, 6602, AND 7700 COMBINES

OMH85227 (01OCT72) English

OMH85227 (01OCT72)


LITHO IN THE U.S.A.
ENGLISH





To the Purchaser

This new straw spreader was carefully designed and manufactured to give years of dependable service. To keep it running efficiently, read the instructions in this operator's manual. Each section is clearly identified so you can easily find the information you need—whether it is operation or service. Read the Table of Contents to learn where each section is located.

 This safety alert symbol identifies important safety messages in this manual. When you see this symbol, be alert to the possibility of personal injury and carefully read the message that follows.

Study this manual carefully, keep it handy with your regular combine operator's manual, in a safe place, for future reference.

If you find that you require information not covered in this manual, see your John Deere dealer. He will answer any questions regarding the operation and service of the straw spreader. He has trained mechanics who are kept informed on the best method of

John Deere servicing and can give you prompt know-how service in the field or in his shop.

Should your straw spreader require replacement parts, see your John Deere dealer where you will receive John Deere parts—accept no substitutes. John Deere parts fit properly and insure satisfactory service because they are made from original patterns and from the same material as the new machines.

“Right-hand” and “left-hand” sides are determined by facing in the direction the combine will travel when in use.

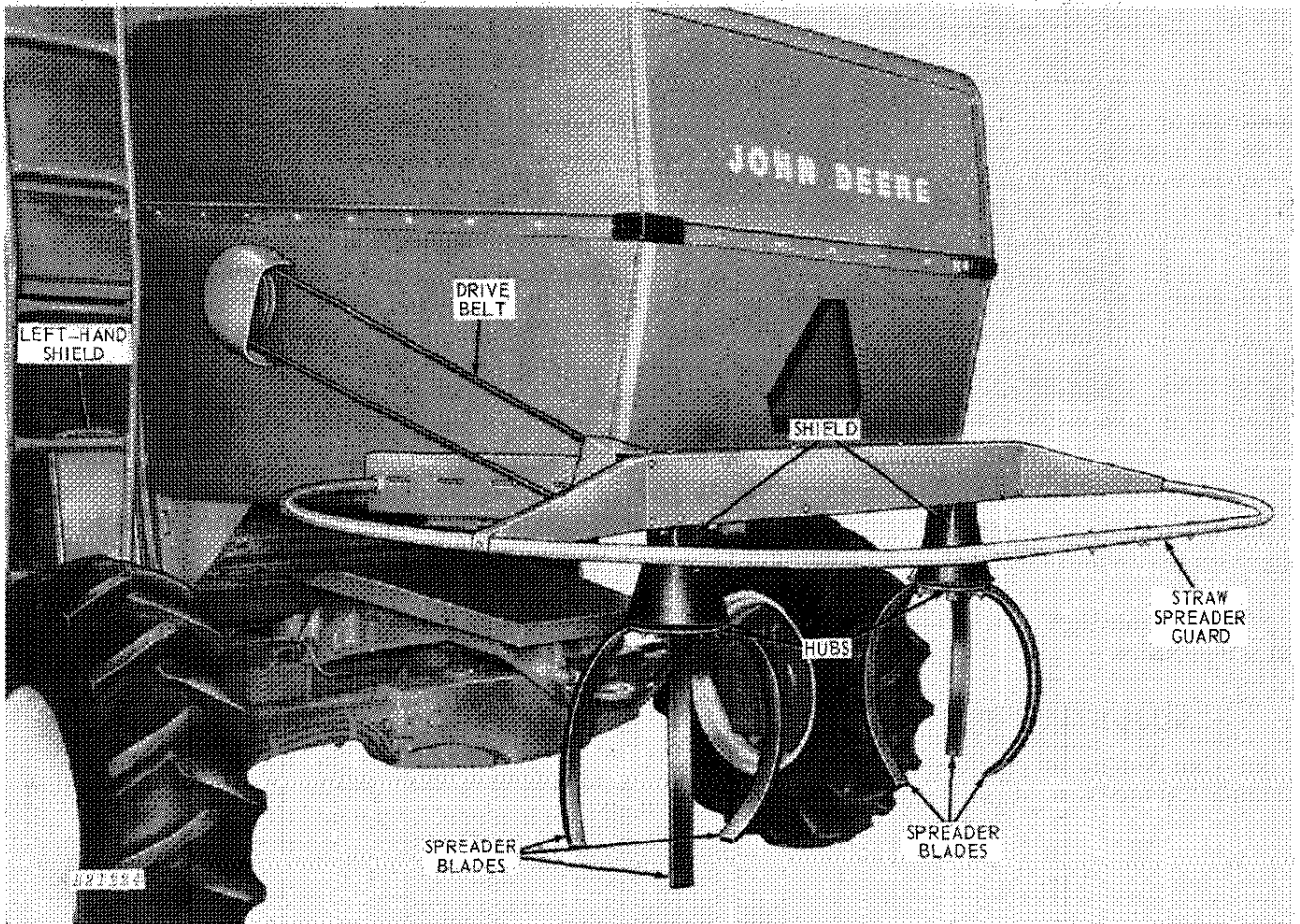
The warranty on this straw spreader appears on your copy of the purchase order which you should have received from your dealer when you purchased the straw spreader.

Record the date purchased in the space provided on page 8. Your dealer needs this information to give you prompt, efficient service when you order parts.



Contents

	Page		Page
Operation	2	Assembly	4-7
Safety Suggestions	3	Specifications	8



Straw Spreader Attachment on John Deere 7700 Combine

<https://www.ebooklibonline.com>

Hello dear friend!

Thank you very much for reading.

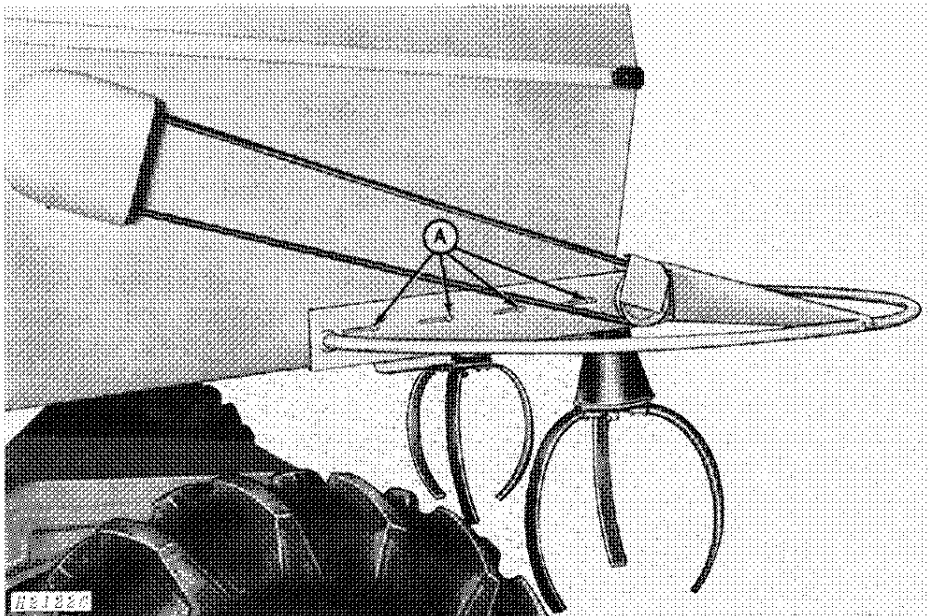
Enter the link into your browser.

The full manual is available for immediate download.

<https://www.ebooklibonline.com>



Operation



SPREADING

The straw spreader spreads the straw in an even layer over a wide area behind the combine.

When windrowing the straw, remove the drive belt, hubs, and blades.

ADJUSTING DRIVE BELT

For even distribution of straw, keep the drive belt adjusted just tight enough to run without slipping.

To tighten belt, loosen cap screws "A", on both sides and pull spreader rearward. After adjusting both sides evenly, tighten cap screws.

STORAGE

Remove drive belt, clean by washing with water and a detergent soap. Store in a cool, clean, dry place where it will not be subject to damage.

Protect drive shaft and all sheet metal parts from rust by using paint or grease.



Safety Suggestions

⚠ Study these suggestions carefully and insist that they be followed by those working with you and for you.

Don't allow anyone to stand near the straw spreader while it is running.

All machinery should be operated only by responsible persons who have been delegated to do so.

Never clean or adjust the straw spreader when it is running.

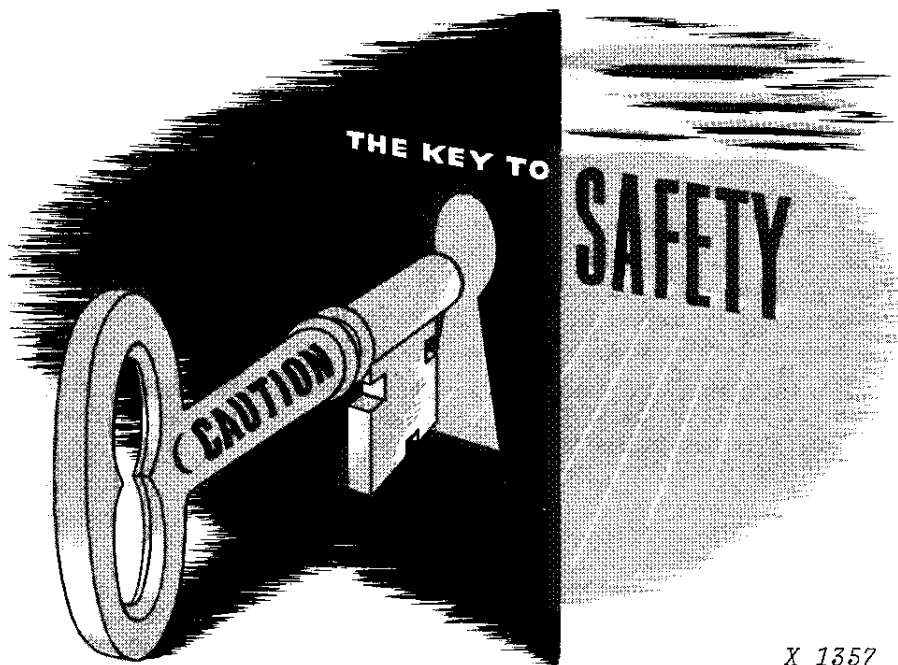
Clothing worn by the operator should be fairly tight and belted. Loose jackets, shirts, or sleeves should never be worn because of the danger of getting into moving parts.

Make certain everyone is clear of the combine before starting the tractor or combine engine so no one can be struck by moving parts.

Always disengage drive and shut off the tractor or combine engine before working on straw spreader.

Be certain shields and guards are in place and in good condition before starting in the field.

Provide a first-aid kit for use in case of accident, and use proper antiseptics on scratches, cuts, etc., without delay, to prevent the possibility of infection.



X 1357

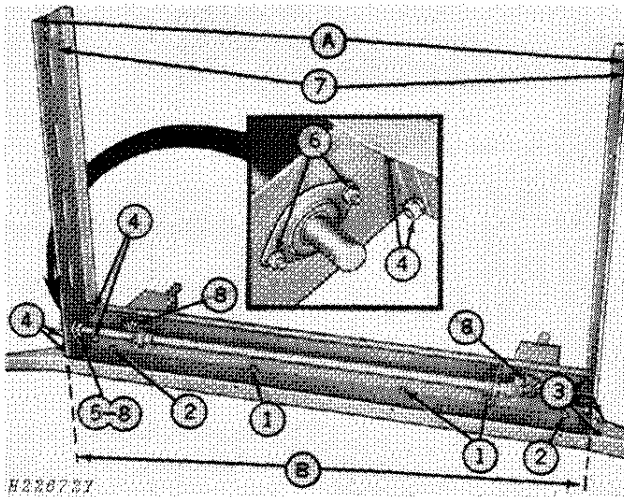


Assembly

SHIPPING BUNDLES

Bundle No.	Description
BH75723	Straw spreader for 6600, 6601 and 6602 Combines
BH75724	Straw spreader for 7700 Combine
BH75341	Mounting parts for 6600 and 6601 Combines
BH75340	Mounting parts for 6602 Combine
BH75712	Guard for 6600 and 6601 Combines
BH75716	Guard for 6602 Combine
BH75715	Guard for 7700 Combine
BH75036	Shields for 6600, 6601, 6602 and 7700 Combines

ASSEMBLING STRAW SPREADER



1. Attach center support to bevel gear support with three 3/8 x 3/4-inch cap screws, lock washers, and nuts. Do not tighten cap screws at this time.

2. Slide right-hand support in behind the center support and bevel gear support. Align the three holes and fasten with one 3/8 x 3/4-inch cap screw, lock washer, and nut. Do not tighten cap screw at this time. Repeat this step with left-hand support.

3. Bolt right-hand bracket to bevel gear support and main support with four 3/8 x 3/4-inch cap screws and 3/8-inch nuts. Do not tighten cap screws at this time.

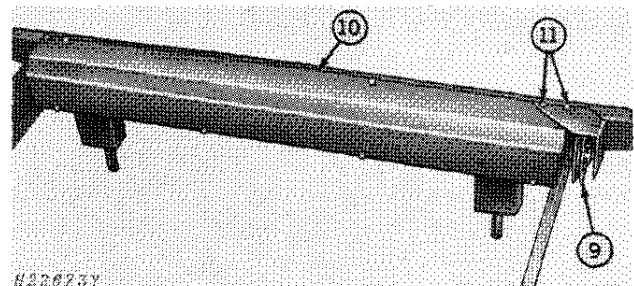
4. Bolt left-hand bracket to bevel gear support and main support with four 3/8 x 3/4-inch cap screws and 3/8-inch nuts. Do not tighten cap screws at this time.

5. Slip locking collar onto shaft.

6. Place bearing in retainers and attach retainers on outside of left-hand bracket with two 5/16 x 3/4-inch carriage bolts and 5/16-inch nuts.

7. Be sure that the dimensions between the left-hand bracket and right-hand bracket are the same at "A" and "B." Tighten hardware installed in steps 1, 2, 3, and 4.

8. Make sure gears turn freely and do not bind. Turn locking collar clockwise and lock set screw.



9. Slide sheave onto shaft with hub to the outside and secure with a 5/16 x 2-inch cap screw and 5/16-inch locking nut.

10. Install cover with eight 5/16 x 1/2-inch self-tapping screws.

11. Attach shield with two 5/16 x 3/4-inch self-tapping screws.



Suggest:

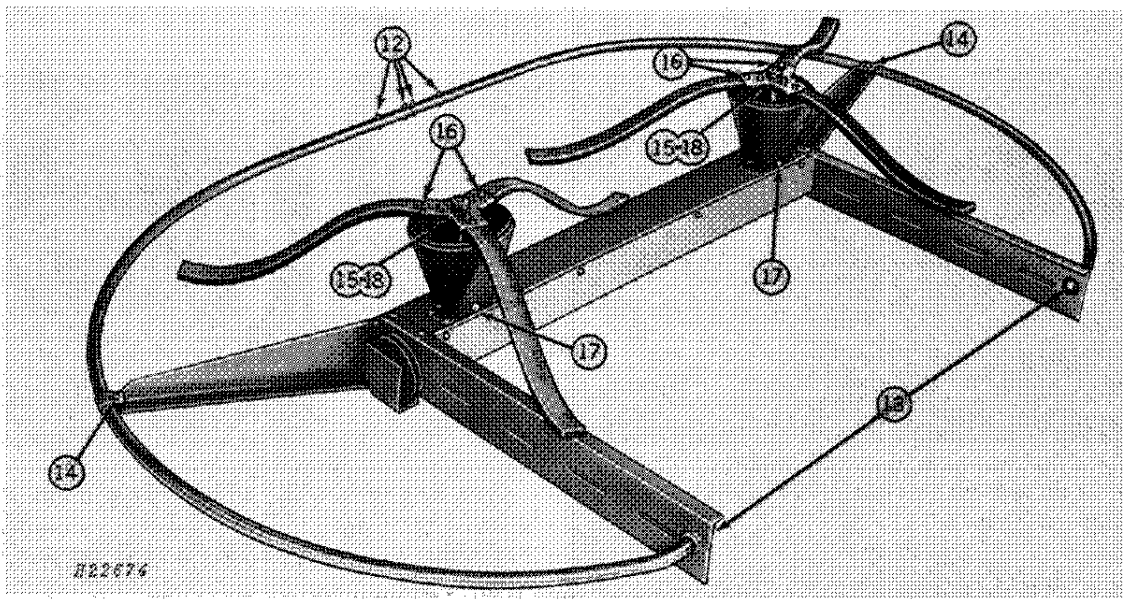
If the above button click is invalid.

Please download this document

first, and then click the above link

to download the complete manual.

Thank you so much for reading



6600, 6601 and 7700 Combines

12. Assemble guard, using connections and four 1/4 x 1-3/4-inch truss head machine screws and 1/4-inch nuts.

13. Attach guard to left-hand and right-hand brackets with 1/2 x 1-inch cap screws and 17/32 x 1-1/4 x .105-inch flat washers.

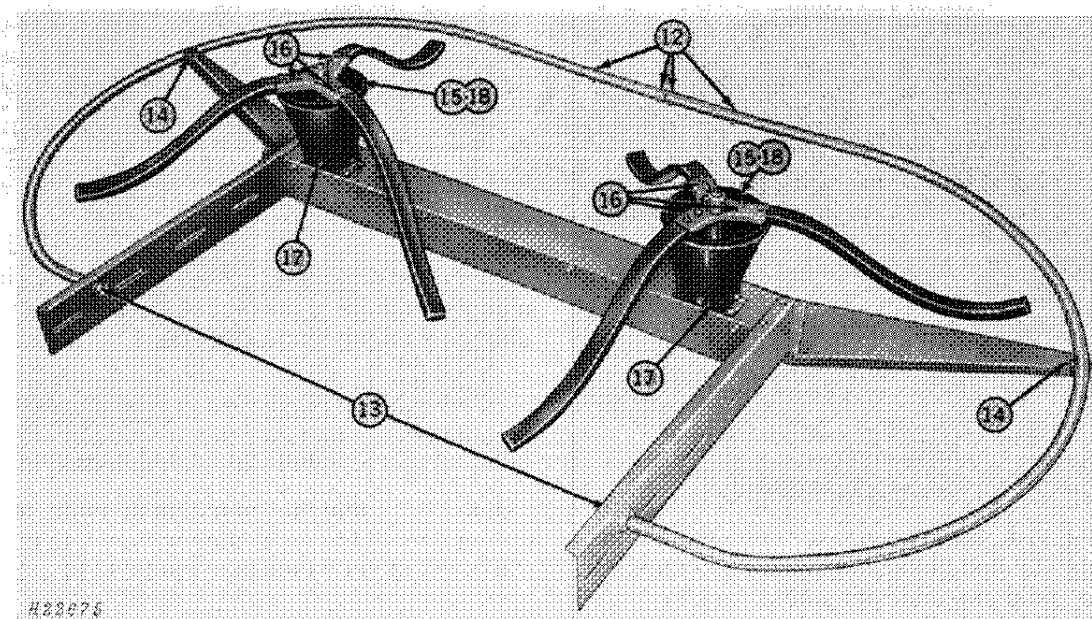
14. Bolt guard to main support with two 5/16 x 2-inch truss head machine screws, lock washers, nuts, and two 11/32 x 11/16 x .060-inch flat washers.

15. Remove a 5/16 x 2-inch cap screw and lock nut from each hub and shaft and then remove hub from shaft.

16. Attach three rubber blades to each hub, using six 5/16 x 1-1/2-inch truss head machine screws with 11/32 x 1-3/8 x .120-inch flat washers (heads and washers against rubber blade), lock washers, and nuts. Be sure curvature of blades is facing down when straw spreader is installed on combine.

17. Install each shield with three 5/16 x 9/16-inch self-tapping screws.

18. Reinstall hub on each shaft so blades on one hub rotate between the blades on the other hub. If the blades on one hub strike the blades on the other hub, rotate one hub 180 degrees on shaft.



6602 Combine

<https://www.ebooklibonline.com>

Hello dear friend!

Thank you very much for reading.

Enter the link into your browser.

The full manual is available for immediate download.

<https://www.ebooklibonline.com>