



STRAW CHOPPER ATTACHMENT FOR THE 30, 25, AND NO. 12-A COMBINES



JOHN DEERE

OPERATORS MANUAL STRAW CHOPPER ATTACHMENT FOR THE 30, 25, AND NO. 12-A COMBINES

OMH651159 (01NOV59) English

OMH651159 (01NOV59)

LITHO IN THE U.S.A.
ENGLISH

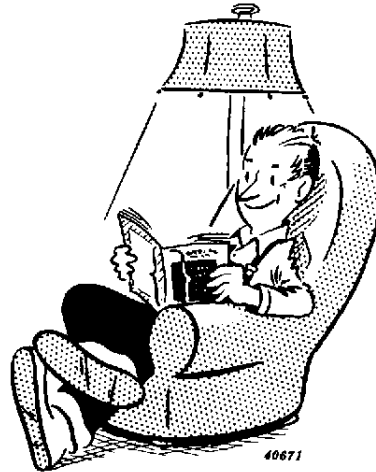


TO THE PURCHASER

This Operator's Manual has been carefully written and illustrated to provide the necessary information regarding installation, operation, and adjustments so that you may obtain maximum service and satisfaction from your Straw Chopper Attachment.

If you should find that you require information not covered in this manual, consult your John Deere dealer. He will be glad to answer any question that may arise regarding the operation of your Straw Chopper. Your John Deere dealer has trained mechanics who are kept informed on the best John Deere service methods and will render you prompt service if needed.

**STUDY THIS MANUAL CAREFULLY
AND KEEP IT HANDY IN A SAFE
PLACE FOR FUTURE REFERENCE.**



Location Reference: "Right-hand" and "left-hand" sides are determined by facing in the direction the attachment will travel when in use.

Should your Straw Chopper Attachment require replacement parts, go to your John Deere dealer where you will receive Genuine John Deere Parts—accept no substitutes.

SERIAL NUMBER

The straw chopper serial number plate is located on the right-hand side of the straw chopper body just below the bearing box.

Straw Chopper Serial No.

Date Purchased

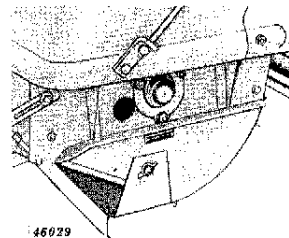


TABLE OF CONTENTS

	<i>Page</i>
OPERATION, ADJUSTMENTS, AND SERVICE.....	2-6
Width of Spread.....	2
Baffle Plate Adjustment.....	3
Bottom Plate Adjustment.....	3
Care of V-Belt.....	4
Blade Spacing Adjustment.....	5-6
Blade Replacement.....	5-6
Knife Support Bar and Knife Sections.....	3-4
Two Positions of Adjustable Fins.....	2
V-Belt Adjustment.....	4
SHIPPING PACKAGES.....	7
ASSEMBLY AND INSTALLATION.....	7-11

LUBRICATION

All of the bearings in this chopper are sealed bearings and require no lubrication.



THE COMPLETE OBSERVANCE of one simple rule would prevent many thousand serious injuries each year. THAT RULE IS: "NEVER ATTEMPT TO CLEAN, OIL, OR ADJUST A MACHINE WHILE IT IS IN MOTION."

(Specifications and design subject to change without notice.)

<https://www.ebooklibonline.com>

Hello dear friend!

Thank you very much for reading.

Enter the link into your browser.

The full manual is available for immediate download.

<https://www.ebooklibonline.com>

<https://www.ebooklibonline.com>

Hello dear friend!

Thank you very much for reading.

Enter the link into your browser.

The full manual is available for immediate download.

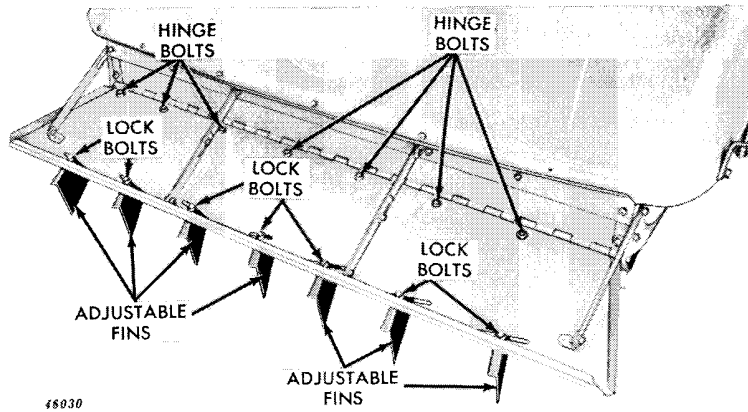
<https://www.ebooklibonline.com>

OPERATION, ADJUSTMENT, AND SERVICE

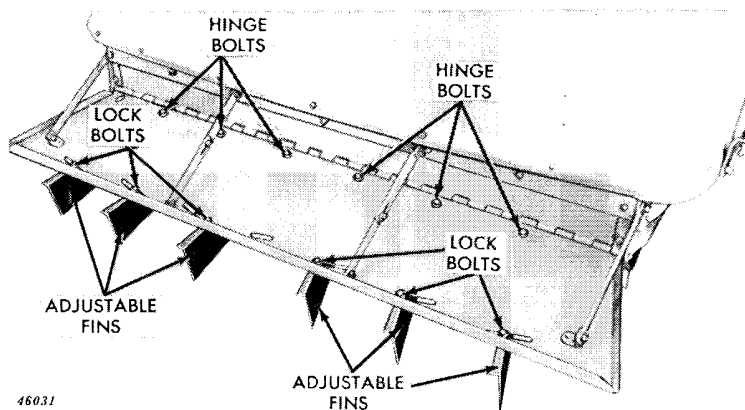
The straw chopper chops the straw into short lengths and, at the same time, bruises it so that decomposition can take place rapidly. The adjustable fins can be set to spread the material over a wide area, and yet control the flow of the material so as to keep it off of the uncut grain.

Two Positions of Adjustable Fins

The spreader comes from the factory, as shown below, equipped with seven adjustable fins, all of which are to be used when "straight" combining.



When combining a windrowed crop, remove the extreme left-hand fin and swing the next three fins to the left, using the first three slots for the lock bolts.



Width of Spread

The adjustable fins, at the discharge end, should be set so the chopped material is spread evenly over the entire area of cut, and does not cover uncut grain. Loosen lock bolts and hinge bolts; place fins in the desired position, and tighten bolts.



Suggest:

If the above button click is invalid.

Please download this document

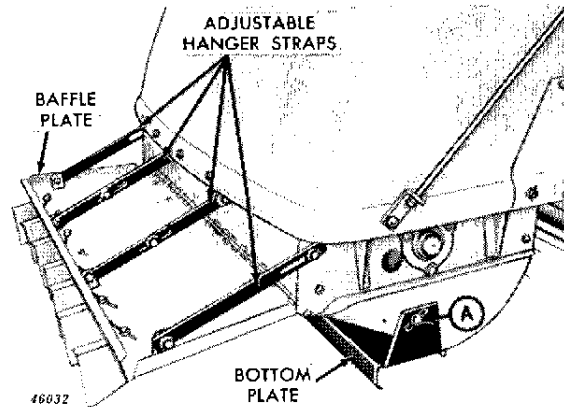
first, and then click the above link

to download the complete manual.

Thank you so much for reading

Baffle-Plate Adjustment

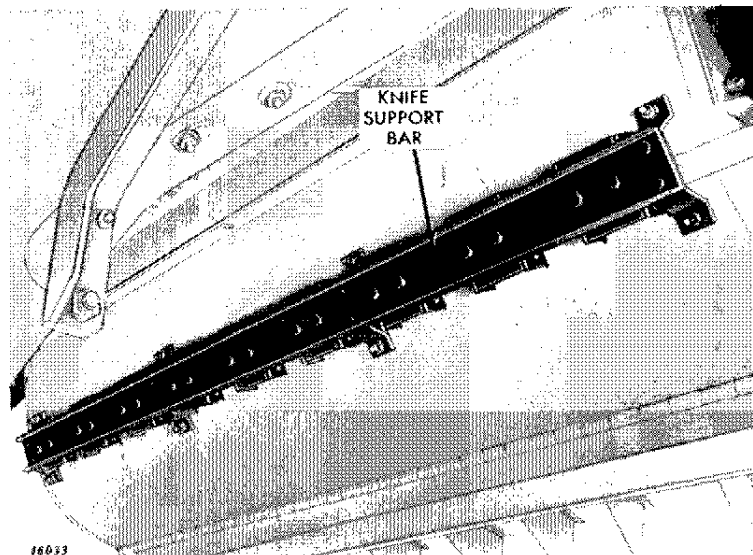
The adjustable hanger straps on the baffle-plate allow it to be moved up or down to control the distance the chopped material is distributed behind the combine. In the **Up** position, chopped material will be distributed the maximum distance; in the **Down** position, the minimum distance.



Bottom-Plate Adjustment

The hinged bottom plate can be adjusted to direct the chopped material at a point on the rear baffle-plate which will, most effectively, spread the chopped material. Adjust by loosening nuts "A," both sides. Tighten nuts after adjustment has been made.

KNIFE SUPPORT BAR AND KNIFE SECTIONS



If the material being discharged is unchopped or very coarse, the knife sections are probably dull or broken. If knife sections are dull on one edge, a new, sharper edge can be put into use by reversing the knife support bar end for end on the chopper.