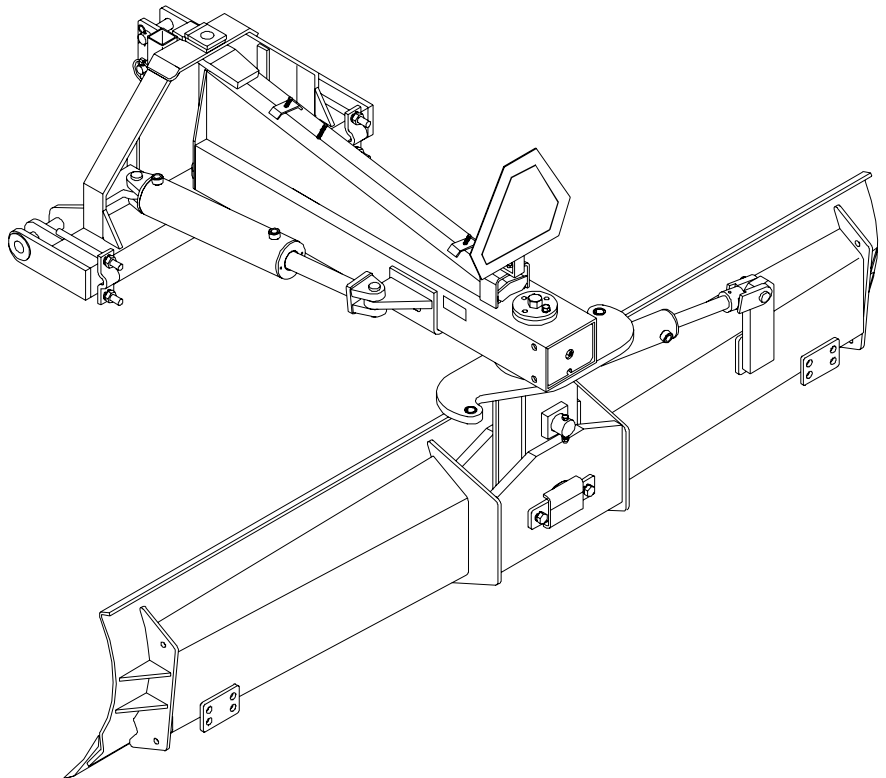


REAR BLADES

RB2408

RB2409

RB2410



THIS MANUAL IS ALSO APPLICABLE
TO FRONTIER REAR BLADES WITH
MODEL NUMBERS ENDING IN A 'C'

FRONTIER
EQUIPMENT™

5TMC0040017K (Rev. 06/19/08)

TO THE DEALER:

Assembly and proper installation of this product is the responsibility of the Frontier dealer. Read manual instructions and safety rules. Make sure all items on the Dealer's Pre-delivery and Delivery Check Lists in the Operator's Manual are completed before releasing equipment to the owner.

TO THE OWNER:

Read this manual before operating your Frontier equipment. The information presented will prepare you to do a better and safer job. Keep this manual handy for ready reference. Require all operators to read this manual carefully and become acquainted with all the adjustment and operating procedures before attempting to operate. Replacement manuals can be obtained from your selling dealer.

The equipment you have purchased has been carefully engineered and manufactured to provide dependable and satisfactory use. Like all mechanical products, it will require cleaning and upkeep. Lubricate the unit as specified. Observe all safety information in this manual and safety decals on the equipment.

For service, your authorized Frontier dealer has trained mechanics, genuine Frontier service parts, and the necessary tools and equipment to handle all your needs.

Use only genuine Frontier service parts. Substitute parts will void the warranty and may not meet standards required for safe and satisfactory operation. Record the model number and serial number of your equipment in the spaces provided:

Model: _____ **Date of Purchase:** _____

Serial Number: (see Safety & Instructional Decals section for location) _____

Provide this information to your dealer to obtain correct repair parts.

Throughout this manual, the term **IMPORTANT** is used to indicate that failure to observe can cause damage to equipment. The terms **CAUTION**, **WARNING**, and **DANGER** are used in conjunction with the Safety-alert Symbol, (a triangle with an exclamation mark), to indicate the degree of hazard for items of personal safety.



This Safety-alert Symbol indicates a hazard and means **ATTENTION! BECOME ALERT! YOUR SAFETY IS INVOLVED!**



Indicates an imminently hazardous situation that, if not avoided, will result in death or serious injury.



Indicates a potentially hazardous situation that, if not avoided, could result in death or serious injury, and includes hazards that are exposed when guards are removed.



Indicates a potentially hazardous situation that, if not avoided, may result in minor or moderate injury.

IMPORTANT

Indicates that failure to observe can cause damage to equipment.

NOTE

Indicates helpful information.

TABLE OF CONTENTS

INTRODUCTION.....	ii
GENERAL INFORMATION.....	1
SPECIFICATIONS.....	2
SAFETY RULES.....	3
SAFETY & INSTRUCTIONAL DECALS.....	5
OPERATION.....	7
OWNER SERVICE.....	13
ASSEMBLY.....	15
PARTS INDEX.....	35
BOLT TORQUE CHART.....	53
BOLT SIZE CHART & ABBREVIATIONS.....	54

GENERAL INFORMATION

The purpose of this manual is to assist you in operating and maintaining your rear blade. Read it carefully. It furnishes information and instructions that will help you achieve years of dependable performance. These instructions have been compiled from extensive field experience and engineering data. Some information may be general in nature, due to unknown and varying operating conditions. However, through experience and these instructions, you should be able to develop procedures suitable to your particular situation.

The illustrations and data used in this manual were current at the time of printing. However, due to possible inline production changes, your machine may vary slightly in detail. We reserve the right to redesign and change the machines as may be necessary without notification.

Throughout this manual, references are made to right and left direction. These are determined by standing behind the tractor facing the direction of forward travel.

<https://www.ebooklibonline.com>

Hello dear friend!

Thank you very much for reading.

Enter the link into your browser.

The full manual is available for immediate download.

<https://www.ebooklibonline.com>

RB2408 / RB2409 / RB2410 SPECIFICATIONS

Models	RB2408	RB2408	RB2409	RB2409	RB2410	RB2410
Features & Specifications						
Angle, tilt & offset	Hydraulically adjusted angle, manually adjusted tilt and offset	Hydraulic tilt, angle & offset	Hydraulically adjusted angle, manually adjusted tilt and offset	Hydraulic tilt, angle & offset	Hydraulically adjusted angle, manually adjusted tilt and offset	Hydraulic tilt, angle & offset
Hitch compatibility	Cat. 2 & 3; Quick Coupler	Cat. 2 & 3; Quick Coupler	Cat. 2 & 3; Quick Coupler	Cat. 2 & 3; Quick Coupler	Cat. 2 & 3; Quick Coupler	Cat. 2 & 3; Quick Coupler
Frame	Formed steel channel frame	Formed steel channel frame	Formed steel channel frame	Formed steel channel frame	Formed steel channel frame	Formed steel channel frame
Cutting edge	½" x 6" reversible	½" x 6" reversible	½" x 6" reversible	½" x 6" reversible	½" x 6" reversible	½" x 6" reversible
Angle/Pivot	360 Degrees	360 Degrees	360 Degrees	360 Degrees	360 Degrees	360 Degrees
Angle-Forward	4, up to 26 degrees (RH) & 5, up to 38 degrees (LH)	0-43 degrees each side	4, up to 26 degrees (RH) & 5, up to 38 degrees (LH)	0-43 degrees each side	4, up to 26 degrees (RH) & 5, up to 38 degrees (LH)	0-43 degrees each side
Angle-Reverse	4, up to 26 degrees (RH) & 5, up to 38 degrees (LH)	0-43 degrees each side	4, up to 26 degrees (RH) & 5, up to 38 degrees (LH)	0-43 degrees each side	4, up to 26 degrees (RH) & 5, up to 38 degrees (LH)	0-43 degrees each side
Moldboard thickness	5/16"	5/16"	5/16"	5/16"	5/16"	5/16"
Moldboard length	96"	96"	108"	108"	120"	120"
Moldboard height	19"	19"	19"	19"	19"	19"
Moldboard type	Progressive-formed	Progressive-formed	Progressive-formed	Progressive-formed	Progressive-formed	Progressive-formed
Moldboard upper edge	Full bend	Full bend	Full bend	Full bend	Full bend	Full bend
Offset (or swing)	0" to 28" (RH) 0" to 26" (LH)	0" to 36" left or right	0" to 28" (RH) 0" to 26" (LH)	0" to 36" left or right	0" to 28" (RH) 0" to 26" (LH)	0" to 36" left or right
Tractor max. HP	160 HP (2WD) 145 HP (4WD)	160 HP (2WD) 145 HP (4WD)	160 HP (2WD) 145 HP (4WD)	160 HP (2WD) 145 HP (4WD)	160 HP (2WD) 145 HP (4WD)	160 HP (2WD) 145 HP (4WD)
Tractor hydraulic system pressure	3000 psi Maximum (20.68 MPa)	3000 psi Maximum (20.68 MPa)	3000 psi Maximum (20.68 MPa)	3000 psi Maximum (20.68 MPa)	3000 psi Maximum (20.68 MPa)	3000 psi Maximum (20.68 MPa)
Tilt	2, up to 15 degrees up and down	0-12 degrees, up or down	2, up to 15 degrees up and down	0-12 degrees, up or down	2, up to 15 degrees up and down	0-12 degrees, up or down
Operating weight	1451 lbs.	1499 lbs.	1501 lbs.	1549 lbs.	1550 lbs.	1598 lbs.

***Tecnomec Agrícola, S.A. de C.V. reserves the right to make any changes deemed necessary to the specifications without prior notice.**



SAFETY RULES

ATTENTION! BECOME ALERT! YOUR SAFETY IS INVOLVED!



Safety is a primary concern in the design and manufacture of our products. Unfortunately, our efforts to provide safe equipment can be wiped out by an operator's single careless act.

In addition to the design and configuration of equipment, hazard control and accident prevention are dependent upon the awareness, concern, judgement, and proper training of personnel involved in the operation, transport, maintenance, and storage of equipment.

It has been said "The best safety device is an informed, careful operator." We ask you to be that kind of operator.

TRAINING

- **Safety instructions are important! Read all attachment and power unit manuals; follow all safety rules and safety decal information. (Replacement manuals are available from your dealer). Failure to follow instructions or safety rules can result in serious injury or death.**
- **If you do not understand any part of this manual and need assistance, see your dealer.**
- **Know your controls and how to stop engine and attachment quickly in an emergency.**
- **Operators must be instructed in and be capable of the safe operation of the equipment, its attachments, and all controls. Do not allow anyone to operate this equipment without proper instructions.**
- **Keep hands and body away from pressurized lines. Use paper or cardboard, not hands or other body parts to check for leaks. Wear safety goggles. Hydraulic fluid under pressure can easily penetrate skin and will cause serious injury or death.**
- **Make sure that all operating and service personnel know that if hydraulic fluid penetrates skin, it must be surgically removed as soon as possible by a doctor familiar with this form of injury or gangrene, serious injury, or death will result. CONTACT A PHYSICIAN IMMEDIATELY IF FLUID ENTERS SKIN OR EYES. DO NOT DELAY.**
- **Never allow children or untrained persons to operate equipment.**

PREPARATION

- **Check that all hardware is properly installed. Always tighten to torque chart specifications unless instructed otherwise in this manual.**
- **Do not connect a low-pressure hydraulic hose into a high-pressure system - it will burst the hose. Do not use a high-pressure hose in place of a low-pressure hose - it is possible to rupture the valve.**
- **Always wear relatively tight and belted clothing to avoid entanglement in moving parts. Wear sturdy, rough-soled work shoes and protective equipment for eyes, hair, hands, hearing, and head.**
- **Make sure attachment is properly secured, adjusted, and in good operating condition.**
- **Power unit must be equipped with ROPS or ROPS cab and seat belt. Keep seat belt securely fastened. Falling off power unit can result in death from being run over or crushed. Keep foldable ROPS systems in "locked up" position at all times.**
- **Make sure all safety decals are installed. Replace if damaged. (See Safety & Instructional Decals section for location).**
- **A minimum 20% of tractor and equipment weight must be on the tractor front wheels when attachments are in transport position. Without this weight, tractor could tip over, causing personal injury or death. The weight may be attained with a loader, front wheel weights, ballast in tires or front tractor weights. Weigh the tractor and equipment. Do not estimate.**
- **Make sure circuit selector lever does not hit tractor cab, etc. throughout operating range of 3-point hitch of tractor. Bend lever, if necessary, to clear cab, but it should still be convenient to operate from the tractor seat.**

OPERATION

- **Do not allow bystanders in the area when operating, attaching, removing, assembling, or servicing equipment.**
- **Do not operate equipment while under the influence of alcohol or drugs.**
- **Operate only in daylight or good artificial light.**
- **Keep hands, feet, hair, and clothing away from equipment while engine is running. Stay clear of all moving parts.**

(Safety Rules continued on next page)



SAFETY RULES



ATTENTION! BECOME ALERT! YOUR SAFETY IS INVOLVED!

(Safety Rules continued from previous page)

- Always comply with all state and local lighting and marking requirements.
- Never allow riders on power unit or attachment.
- Power unit must be equipped with ROPS or ROPS cab and seat belt. Keep seat belt securely fastened. Falling off power unit can result in death from being run over or crushed. Keep foldable ROPS systems in “locked up” position at all times.
- Always sit in power unit seat when operating controls or starting engine. Securely fasten seat belt, place transmission in neutral, engage brake, and ensure all other controls are disengaged before starting power unit engine.
- Look down and to the rear and make sure area is clear before operating in reverse.
- Do not operate on steep slopes.
- Do not stop, start, or change directions suddenly on slopes.
- Use extreme care and reduce ground speed on slopes and rough terrain.
- Watch for hidden hazards on the terrain during operation.
- Stop power unit and equipment immediately upon striking an obstruction. Turn off engine, remove key, inspect, and repair any damage before resuming operation.
- Before changing positions of manual swing, tilt, or angle positions:
 - Park tractor on level ground, apply parking brake, level implement boom, shut off tractor, and remove key.
 - Make manual changes slowly and carefully to prevent hazardous movement of mechanisms.
 - Never stand in positions where you could become entrapped during adjustment changes or if the 3-point hitch suddenly lowers.
- Always secure lock pins with safety pins to prevent lock pins from bumping out of the positioning holes. Failure to do so may result in accidents and/or damage to rear blade.
- Before dismounting power unit or performing any service or maintenance, follow these steps: disengage power to equipment, lower the 3-point hitch and all raised components to the ground, operate valve levers to release any hydraulic pressure, set parking brake, stop engine, remove key, and unfasten seat belt.

- Before working underneath, read manual instructions, securely block up, and check stability. Secure blocking prevents equipment from dropping due to hydraulic leak down, hydraulic system failure, or mechanical component failure.

MAINTENANCE

- Before dismounting power unit or performing any service or maintenance, follow these steps: disengage power to equipment, lower the 3-point hitch and all raised components to the ground, operate valve levers to release any hydraulic pressure, set parking brake, stop engine, remove key, and unfasten seat belt.
- Before performing any service or maintenance, lower attachment to ground, turn off engine, set parking brake, and remove key.
- Before working underneath, read manual instructions, securely block up, and check stability. Secure blocking prevents equipment from dropping due to hydraulic leak down, hydraulic system failure, or mechanical component failure.
- Always wear relatively tight and belted clothing to avoid entanglement in moving parts. Wear sturdy, rough-soled work shoes and protective equipment for eyes, hair, hands, hearing, and head.
- Do not modify or alter or permit anyone else to modify or alter the equipment or any of its components in any way.
- Make sure attachment is properly secured, adjusted, and in good operating condition.
- Never perform service or maintenance with engine running.
- Keep all persons away from operator control area while performing adjustments, service, or maintenance.
- Tighten all bolts, nuts and screws to torque chart specifications. Check that all cotter pins are installed securely to ensure equipment is in a safe condition before putting unit into service.
- Make sure all safety decals are installed. Replace if damaged. (See Safety & Instructional Decals section for location).
- Do not disconnect hydraulic lines until machine is securely blocked or placed in lowest position and system pressure is released by operating valve levers.

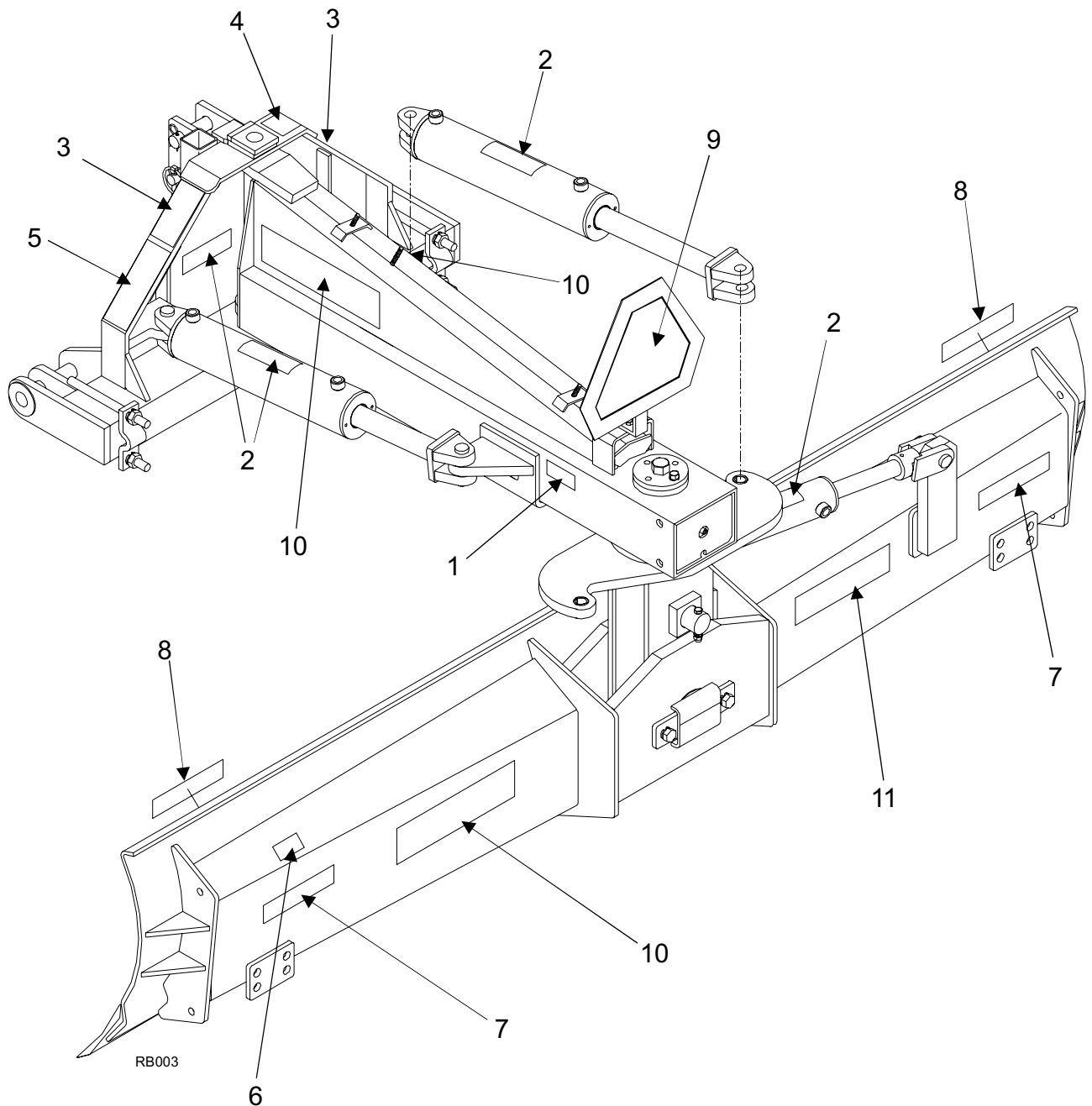
STORAGE

- Secure equipment parking stand(s) in park position before detaching.
- Keep children and bystanders away from storage area.

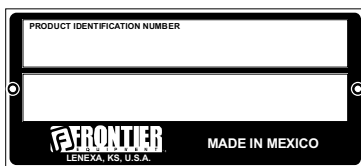


SAFETY & INSTRUCTIONAL DECALS

ATTENTION! BECOME ALERT! YOUR SAFETY IS INVOLVED!



1.- Serial Number Plate (1)



2.- 5TM310707000 (4)* (English)
5TM310708000 (4)** (French)

<p>19924-B</p>	WARNING
	<p>HIGH-PRESSURE HYDRAULIC OIL LEAKS CAN PENETRATE SKIN RESULTING IN SERIOUS INJURY, GANGRENE OR DEATH.</p> <ul style="list-style-type: none"> ■ Check for leaks with cardboard; never use hand. ■ Before loosening fittings: lower load, release pressure, and be sure oil is cool. ■ Consult physician immediately if skin penetration occurs.



SAFETY & INSTRUCTIONAL DECALS


ATTENTION! BECOME ALERT! YOUR SAFETY IS INVOLVED!

Replace Immediately If Damaged!



3.- 5TM310707100 (2)* (English)
5TM310708100 (2)** (French)

⚠ WARNING



CRUSHING AND PINCHING HAZARD

- Be extremely careful handling various parts of the hitching mechanism. They are heavy and hands, fingers, feet, and other body parts could be crushed or pinched between tractor and implement.
- Operate tractor controls from tractor seat only.
- Do not stand between tractor and implement when tractor is in gear.
- Make sure parking brake is engaged before going between tractor and implement.
- Stand clear of machine while in operation or when it is being raised or lowered.

FAILURE TO FOLLOW THESE INSTRUCTIONS COULD RESULT IN SERIOUS INJURY OR DEATH.

1002941

4.- 5TM310707200 (1)* (English)
5TM310708200 (1)** (French)

⚠ WARNING

TO AVOID SERIOUS INJURY OR DEATH:


- Read Operator's Manual before operating, servicing, or repairing equipment. Follow all safety rules and instructions. (Manuals are available from your selling dealer.)
- Never allow riders.
- Keep bystanders away from equipment during operation.
- Operate from tractor seat only.
- Keep all shields in place and in good condition.
- Lower equipment to ground, stop engine, remove key, and set brake before dismounting tractor.
- Never allow children or untrained persons to operate equipment.

FAILURE TO FOLLOW THESE INSTRUCTIONS CAN RESULT IN INJURY OR DEATH.

1003199

5.- 5TM310707300 (1)* (English)
5TM310708300 (1)** (French)

⚠ WARNING



FALLING OFF CAN RESULT IN BEING RUN OVER

- Tractor must be equipped with ROPS (or ROPS CAB) and seat belt. Keep foldable ROPS systems in "locked up" position at all times.
- Buckle Up! Keep seat belt securely fastened.
- Allow no riders.

RAISED IMPLEMENT CAN DROP AND CRUSH.

- Never go underneath raised implement which can drop from equipment or tractor 3-point hitch hydraulic leak down, hydraulic system failures, movement of control levers, or mechanical linkage failures.
- Service work does not require going underneath implement. Read manual instructions.

FAILURE TO FOLLOW THESE INSTRUCTIONS CAN RESULT IN SERIOUS INJURY OR DEATH.

55121-C

6.- 5TM310707400 (1)* (English)
5TM310708400 (1)** (French)

⚠ WARNING

Unit must not extend more than 4 feet left of center of the tractor when driving on public roads.

- 7.- 5TM310602001 Red Reflector 2" x 9" (2)*
- 8.- 5TM310602002 Yellow Reflector 2" x 9" (2)*
- 9.- 5TM310706601 SMV Reflector (1)
- 10.- 5TM310110003 Frontier decal (3)
- 11.- Model decal (1)

*Included in Safety Decal Kit 5TMC0040015K (English)
**Included in Safety Decal Kit 5TMC0040019K (French)

BE CAREFUL!

Use a clean, damp cloth to clean safety decals.

Avoid spraying too close to decals when using a pressure washer; high-pressure water can enter through very small scratches or under edges of decals causing them to peel or come off.

Replacement safety decals can be ordered free from your dealer.

OPERATION

Safety is a primary concern in the design and manufacture of our products. Unfortunately, our efforts to provide safe equipment can be wiped out by an operator's single careless act.

In addition to the design and configuration of equipment, hazard control and accident prevention are dependent upon the awareness, concern, judgement, and proper training of personnel involved in the operation, transport, maintenance, and storage of equipment.

It has been said "The best safety device is an informed, careful operator." We ask you to be that kind of operator.

WARNING

- Never allow children or untrained persons to operate equipment.
- Do not allow bystanders in the area when operating, attaching, removing, assembling, or servicing equipment.
- Before working underneath, read manual instructions, securely block up, and check stability. Secure blocking prevents equipment from dropping due to hydraulic leak down, hydraulic system failure, or mechanical component failure.
- Never allow riders on power unit or attachment.
- Keep all persons away from operator control area while performing adjustments, service, or maintenance.

WARNING

- Make sure that all operating and service personnel know that if hydraulic fluid penetrates skin, it must be surgically removed as soon as possible by a doctor familiar with this form of injury or gangrene, serious injury, or death will result. **CONTACT A PHYSICIAN IMMEDIATELY IF FLUID ENTERS SKIN OR EYES. DO NOT DELAY.**
- A minimum 20% of tractor and equipment weight must be on the tractor front wheels when attachments are in transport position. Without this weight, tractor could tip over, causing personal injury or death. The weight may be attained with a loader, front wheel weights, ballast in tires, or front tractor weights. Weigh the tractor and equipment. Do not estimate.

CAUTION

- Keep hands and body away from pressurized lines. Use paper or cardboard, not hands or other body parts to check for leaks. Wear safety goggles. Hydraulic fluid under pressure can easily penetrate skin and will cause serious injury or death.
- Always wear relatively tight and belted clothing to avoid entanglement in moving parts. Wear sturdy, rough-soled work shoes and protective equipment for eyes, hair, hands, hearing, and head.

Operation *Cont'd*

MOUNT REAR BLADE TO TRACTOR

IMPORTANT

■ The rear blade should be mounted on tractors with a maximum power rating of 160 hp (120 kW). For 4WD tractors, the maximum power rating is 145 hp (108 kW).

The rear blade is a 3-point Category 2 & 3 implement. It will attach to ASAE standard Category 3 quick-attaching coupler, or on a Category 2 quick-attaching coupler.

Place the tractor rockshift control in "position control" (non-floating) for attaching and detaching the rear mounted blade. "Draft control" or "position control" can be used while operating.

Back the tractor until the ends of the lift arms can be attached to the lift points on the implement. Secure the lift arms to the mast.

Attach the center link to the top of the mast and adjust so that the rear blade will be level in the operating position.

CATEGORY 2

1. Place the lift arms between the inside lower hitch support and the adjustable lugs (5). Secure with lower hitch pins (6) without using the lower hitch pin bushings (12) and insert the 3/8 klik pins (23).

2. Connect the tractor top link to upper hitch support hole (A) in the 3-point frame (1) using the upper hitch pin category 3 (14). Secure with the two 1/4 x 4 safety pins (24).

3. Level the main frame by adjusting lift and top links.

4. Position sway blocks to eliminate side sway or install sway braces if required.

CATEGORY 2 QUICK-HITCH

1. Secure lower hitch pins (6) without using the lower hitch pin bushings (12) and insert the 3/8 klik pins (23).

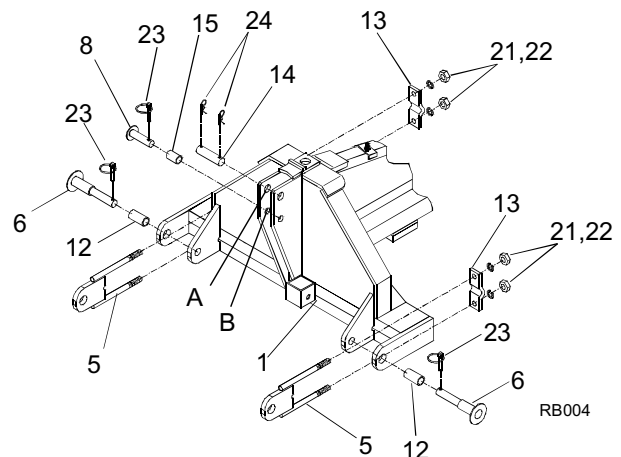
2. Place upper hitch pin category 2 (8) and upper hitch pin bushing category 2 (15) in the lower hitch support hole (B) and secure with the 3/8 klik pin (23).

3. Back up tractor with 3 quick-hitch attachment into 3-point frame (1) making sure pins are aligned to the center and the outside lower hitch supports.

4. Lift tractor lift arms.

5. Level the main frame by adjusting lift and top links.

6. Position sway blocks to eliminate side sway or install sway braces if required.



A - Category 2, 3 and 3 Quick-attaching Coupler
B - Category 2 Quick-attaching Coupler

Figure 1. 3-point Hitch Connection

CATEGORY 3

1. Place the lift arms between the outside lower hitch support and the adjustable lugs (5). Secure with lower hitch pins (6) using the lower hitch pin bushings (12) and insert the 3/8 klik pins (23).

2. Connect the tractor top link to upper hitch support hole (A) in the 3-point frame (1) using the upper hitch pin category 3 (14). Secure with the two 1/4 x 4 safety pins (24).

3. Level the main frame by adjusting lift and top links.

4. Position sway blocks to eliminate side sway or install sway braces if required.

CATEGORY 3 QUICK-HITCH

1. Secure lower hitch pins (6) using the lower hitch pin bushings (12) and insert the 3/8 klik pins (23).

2. Place upper hitch pin category 3 (14) in the upper hitch support hole (A) and secure with the two 1/4 x 4 safety pins (24).

3. Back up tractor with 3 quick-hitch attachment into 3-point frame (1) making sure pins are aligned to the center and the outside lower hitch supports.

4. Lift tractor lift arms.

5. Level the main frame by adjusting lift and top links.

6. Position sway blocks to eliminate side sway or install sway braces if required.

NOTE: The drawbar may have to be removed on some tractors. Make sure rear blade is at least six inches from tractor tires throughout operating range of 3-point hitch.

Operation *Cont'd*

⚠ CAUTION

- Before changing positions of manual swing, tilt, or angle positions:
 - Park tractor on level ground, apply parking brake, level implement boom, shut off tractor, and remove key.
 - Make manual changes slowly and carefully to prevent hazardous movement of mechanisms.
 - Never stand in positions where you could become entrapped during adjustment changes or if the 3-point hitch suddenly lowers.

⚠ CAUTION

- Always secure lock pins with safety pins to prevent lock pins from bumping out of the positioning holes. Failure to do so may result in accidents and/or damage to rear blade.

Angle Adjustment

The blade may be angled from 0 to 43 degrees to the right or left by hydraulic remote control from the tractor seat.

1. Raise the blade a few inches off the ground by operating the lift control lever of the tractor.
2. Actuate the control valve connected to the angling cylinder (41).
3. On tractors with two circuit selector valves, select angling circuit and actuate the tractor control valve connected to selector valve.

NOTE: Do not operate the selector valve under load.

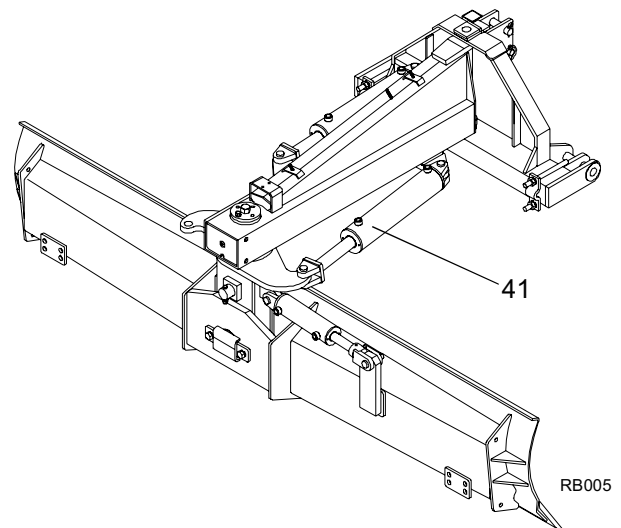


Figure 2. Angle Cylinder

Operation *Cont'd*

Reverse Blade

The blade is reversible without removing it from the tractor.

1. Remove the two safety pins (25) and two cylinder end pins (42) from the angle cylinder (41) and then remove the angle cylinder (41).
2. Raise blade off the ground using tractor's 3-point hitch.
3. Rotate moldboard counter-clockwise 180 degrees (viewed from the top).
4. Replace the angle cylinder (41), the two cylinder end pins (42), and the two safety pins (25).

NOTE: The blade can be set hydraulically to any angle from 0 to 43 degrees, right or left.

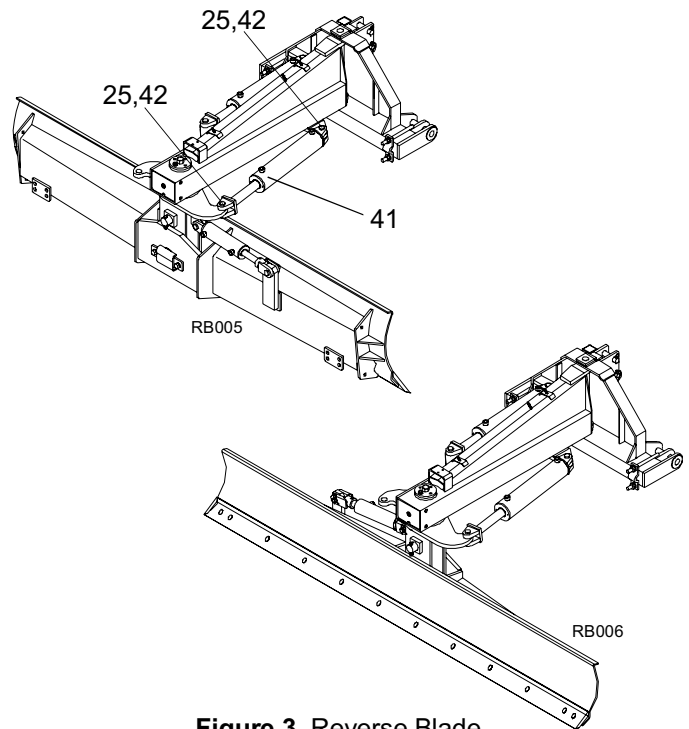


Figure 3. Reverse Blade

Tilt Adjustment

Tilt moldboard 12 degrees up or down by using the hydraulic tilt cylinder (49) or up to 15 degrees by using the mechanical tilt linkage (25,52,53,54). Additional tilt adjustment can be obtained by adjusting the lift link of the tractor 3-point hitch.

NOTE: In some cases it may not be possible to fully tilt and angle and still be able to raise the blade high enough to clear the ground. In this case, use less tilt.

NOTE: It is possible for the blade to contact other components if the blade is tilted when angled. Operate blade slowly when angling it.

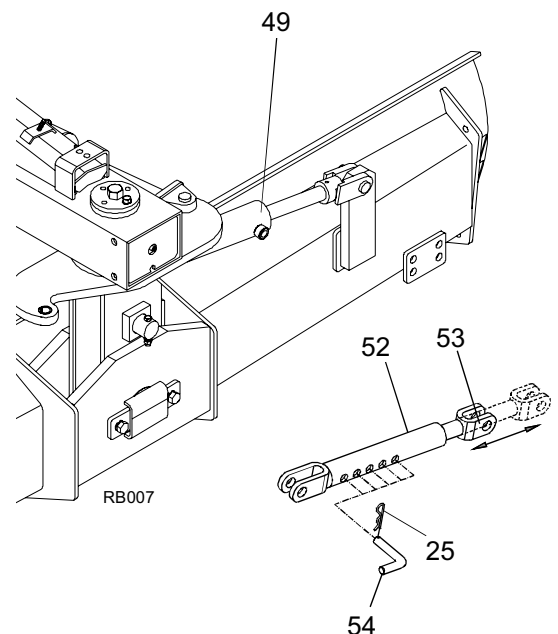


Figure 4. Tilt Cylinder and Mechanical Tilt Linkage.

Operation *Cont'd*

Offset Adjustment

Mechanical Adjustment

Mechanical adjustment model has nine blade offset positions. Hole positions in offset link allows main frame to rotate to the right or left with a maximum blade offset of 28 inches to the right and 26 inches to the left.

To offset the blade:

1. Park the tractor on level ground.
2. Apply parking brake and raise blade 2 inches above the ground.
3. Shut off the engine and level the boom.
4. Remove safety pin (25) and center linkage pin (54). Swing the boom to the desired position and replace the pins.

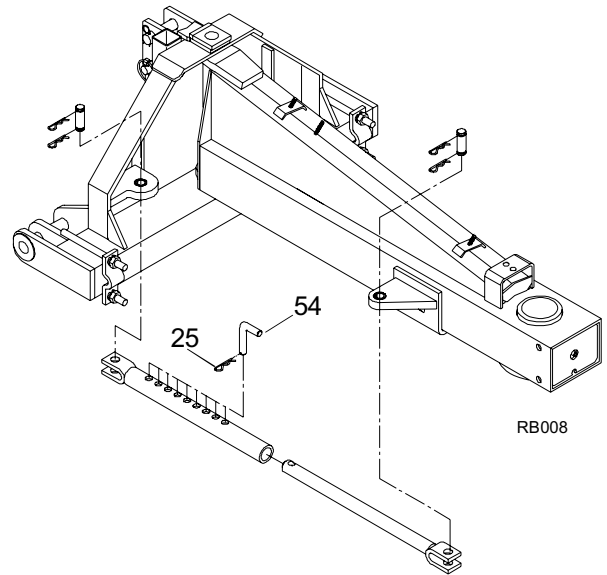


Figure 5. Mechanical Offset

Adjustment with Hydraulic Offset Cylinder

The offset cylinder (41) rotates the main frame right or left or to any position in between, resulting in a maximum of 36 inches offset to the right or left.

To offset the blade:

1. Raise blade a few inches above the ground by operating the lift control lever of the tractor.
2. Actuate the control valve connected to the offset cylinder (41).
3. On tractors having two circuit selector valves, select offset circuit and actuate tractor control valve connected to selector valve.

NOTE: Do not operate the selector valve under load.

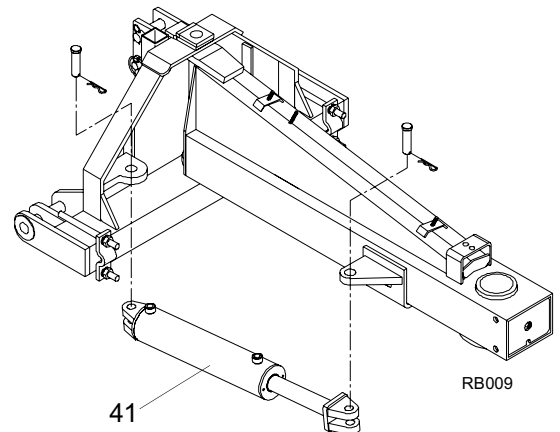


Figure 6. Hydraulic Offset



Suggest:

If the above button click is invalid.

Please download this document

first, and then click the above link

to download the complete manual.

Thank you so much for reading

Operation *Cont'd*

OPERATING TIPS

WARNING

- Look down and to the rear and make sure area is clear before operating in reverse.
- Do not operate on steep slopes.
- Do not operate while the parking stand is in the down position.
- Do not stop, start, or change directions suddenly on slopes.
- Use extreme care and reduce ground speed on slopes and rough terrain.
- Watch for hidden hazards on the terrain during operation.
- Before working underneath, read manual instructions, securely block up, and check stability. Secure blocking prevents equipment from dropping due to hydraulic leak down, hydraulic system failure, or mechanical component failure.

CAUTION

- Stop power unit and equipment immediately upon striking an obstruction. Turn off engine, remove key, inspect, and repair any damage before resuming operation.

BACKFILLING

For backfilling ditches or trenches, reverse the blade by rotating counter-clockwise and back push.

LEVELING AND GRADING

Set the blade to the desired position of offset, angle, and tilt for leveling and grading.

PRE-OPERATION CHECK LIST (OPERATOR'S RESPONSIBILITY)

-
- Review and follow all safety rules and safety decal instructions on pages 3 through 6.
- Check that equipment is properly and securely attached to tractor.
- Check that all safety decals are installed and in good condition. Replace if damaged.

PRE-OPERATION CHECK LIST (OPERATOR'S RESPONSIBILITY)

- Check all lubrication points are greased.
- Check that blade cutting edge is in good condition.
- Check that all hydraulic hoses and fittings are in good condition and not leaking before starting tractor. Check that hoses are not twisted, bent sharply, kinked, frayed, or pulled tight. Replace any damaged hoses immediately.

<https://www.ebooklibonline.com>

Hello dear friend!

Thank you very much for reading.

Enter the link into your browser.

The full manual is available for immediate download.

<https://www.ebooklibonline.com>