

JOHN DEERE
WORLDWIDE COMMERCIAL & CONSUMER
EQUIPMENT DIVISION

Tow Behind Spreaders
LP25010, LP25011, LP25012

SN NA

OMM158455 D9

OPERATOR'S MANUAL



JOHN DEERE

All information, illustrations and specifications in this manual are based on the latest information at the time of publication. The right is reserved to make changes at any time without notice.

COPYRIGHT© 2009
Deere & Co.

John Deere Worldwide Commercial and Consumer Equipment Division
All rights reserved
Previous Editions
COPYRIGHT©

North American Version
Litho in U.S.A.

INTRODUCTION

Introduction

Using Your Operator's Manual

Read this entire operator's manual, especially the safety information, before operating.

This manual is an important part of your machine. Keep all manuals in a convenient location so they can be accessed easily.

Use the safety and operating information in the attachment operator's manual, along with the machine operator's manual, to operate and service the attachment safely and correctly.

If your attachment manual has a section called Preparing the Machine, it means that you will have to do something to your tractor or vehicle before you can install the attachment. The Assembly and Installation sections of this manual provide information to assemble and install the attachment to your tractor or vehicle. Use the Service section to make any needed adjustments and routine service to your attachment.

If you have any questions or concerns with the assembly, installation, or operation of this attachment, see your local John Deere dealer or call John Deere Special Services at 1-866-218-8622 for assistance.

Warranty information on this John Deere attachment can be found in the warranty that came with your John Deere tractor or vehicle.

Product Identification

Product Compatibility

This spreader is designed for use with Select Series (X300 and X500) and Ultimate Series (X700) Lawn and Garden Tractors.

Safety

Read Safety in Machine Operator's Manual

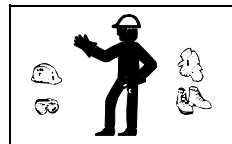
Read the general safety operating precautions in your machine operator's manual for additional safety information.

Operating Safely

- Read the machine and attachment operator's manual carefully. Be thoroughly familiar with the controls and the proper use of the equipment. Know how to stop the machine and disengage the controls quickly.
- This attachment is intended for use in lawn care and home applications. Do not use for use other than intended by the manufacturer.
- Do not modify machine or safety devices. Unauthorized modifications to the machine or attachment may impair its function and safety.
- Do not let children or an untrained person operate machine.
- Make any necessary adjustments before you operate. Never attempt to make any adjustments while the engine is running, unless if recommended in adjustment procedure.
- Look behind machine before you back up. Back up carefully.
- Do not let anyone, especially children, ride on machine or attachment. Riders are subject to injury such as being struck by foreign objects and being thrown off. Riders may also obstruct the operator's view, resulting in the machine being operated in an unsafe manner.
- Disengage any power to the attachment when the machine is transported or not in use.

Practice Safe Maintenance

- Only qualified, trained adults should service this machine.
- Understand service procedure before doing work. Keep area clean and dry.
- Do not operate the engine in a confined space where dangerous carbon monoxide fumes can collect.
- Never lubricate, service or adjust the machine or attachment while it is moving. Keep safety devices in place and in working condition. Keep hardware tight.
- Keep hands, feet, clothing, jewelry, and long hair away from any moving parts, to prevent them from getting caught.
- Disconnect battery or remove spark plug wire (for gasoline engines) before making any repairs.
- Keep all parts in good condition and properly installed. Fix damage immediately. Replace worn or broken parts. Replace all worn or damaged safety and instruction decals.
- Check all hardware at frequent intervals to be sure the equipment is in safe working condition.
- Do not modify machine or safety devices. Unauthorized modifications to the machine or attachment may impair its function and safety.



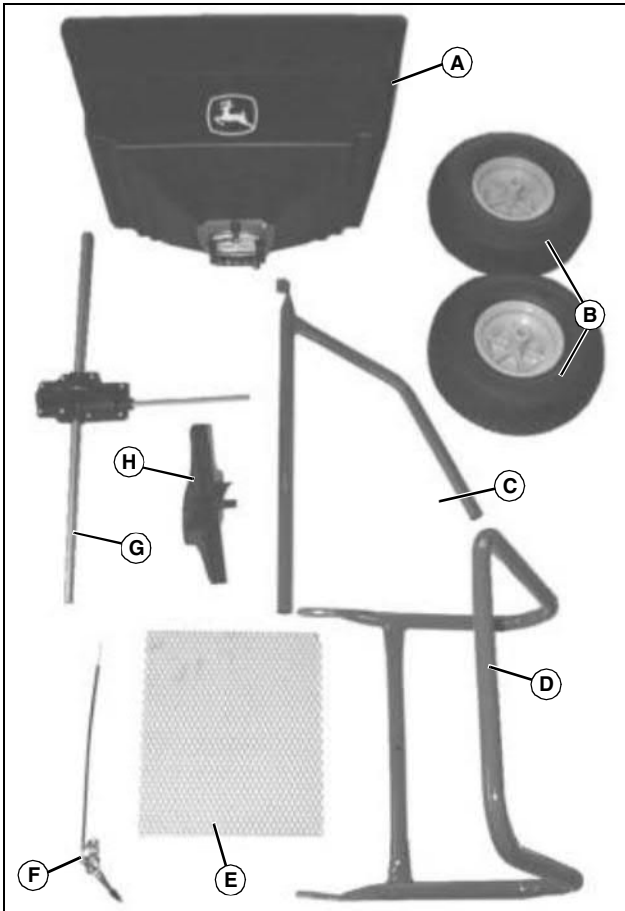
Wear Appropriate Clothing

- Always wear eye protection when operating the machine.
- Wear close fitting clothing and safety equipment appropriate for the job.
- While mowing, always wear substantial footwear and long trousers. Do not operate the equipment when barefoot or wearing open sandals.
- Wear a suitable protective device such as earplugs. Loud noise can cause impairment or loss of hearing.

ASSEMBLY

Assembly

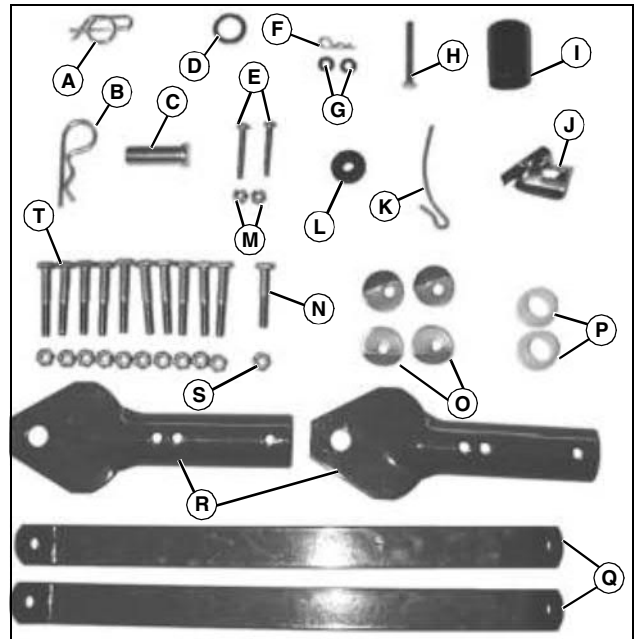
Identify Parts



MX40561

- A- Hopper Assembly**
- B- Wheels**
- C- Tow Bar**
- D- Frame**
- E- Screen**
- F- On/Off Control Lever**
- G- Axle and Gear Housing Assembly**
- H- Disk**

Bag of Parts



MX40562

Part Description	Qty.
Locking Clip (A)	1
Spring Locking Pin (B)	1
Hitch Pin (C)	1
Washer, Wheel (D)	1*
Screw, #10 x 1-1/2 in. (E)	2
Spring Locking Pin (F)	1
Flat Washer (G)	2
Clevis Pin (H)	1
Cap (I)	1
Clamp, Cable (J)	1
Wire, Agitator (K)	1
Washer, Felt (L)	1
Locknut, #10 (M)	2
Bolt, 1/4 x 1-1/4 in. (N) (80 lb Spreader)	1
Bolt, 1/4 x 1-1/2 in. (125 and 175 lb Spreaders)	1
Washer, Curved (O)	4
Bushing (P)	2
Brace, Tow Bar (Q)	2
Plate, Hitch (R)	2
Locknut, 1/4 in. (S)	11

<https://www.ebooklibonline.com>

Hello dear friend!

Thank you very much for reading.

Enter the link into your browser.

The full manual is available for immediate download.

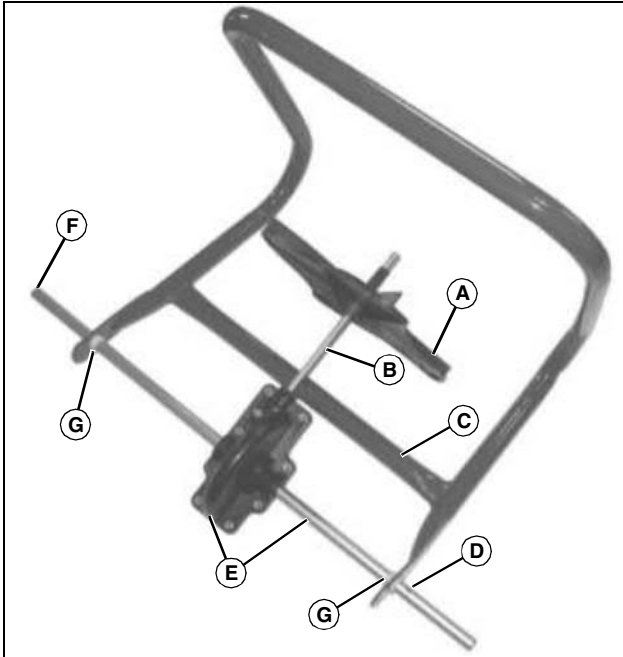
<https://www.ebooklibonline.com>

ASSEMBLY

Part Description	Qty.
Bolt, 1/4 x 1-1/2 in. (T) (80 lb Spreader)	10
Bolt, 1/4 x 1-3/4 in. (125 and 175 lb Spreaders)	10

NOTE: *LP25010 contains 3 extra wheel washers.

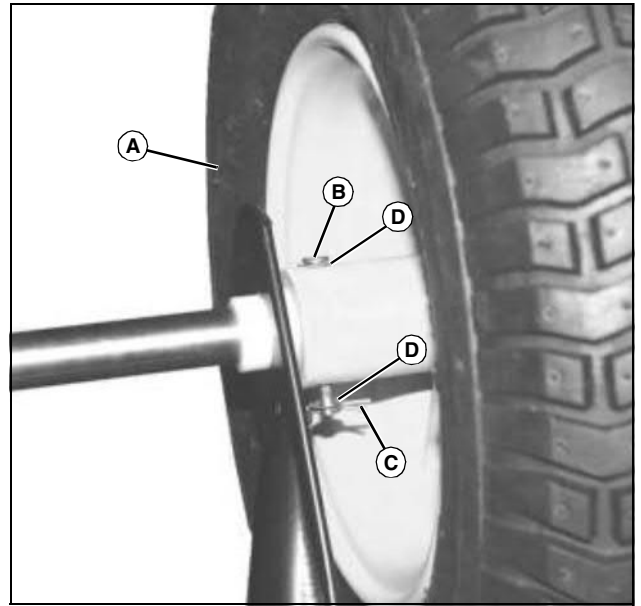
Install Axle



MX40563

1. On 125 and 175 lb spreaders, install the disk (A) to the spinner shaft (B). (The 80 lb spreader already has the disk installed.)
2. Lay frame (C) down onto back side, as shown.
3. With the hole (D) in axle assembly (E) closest to the right side, and outer hole (F) on left side, install axle assembly (E) onto frame (C).
4. Install axle bushings (G) onto both ends of axle so collar of bushing is on the outside of the frame.

Install Wheels

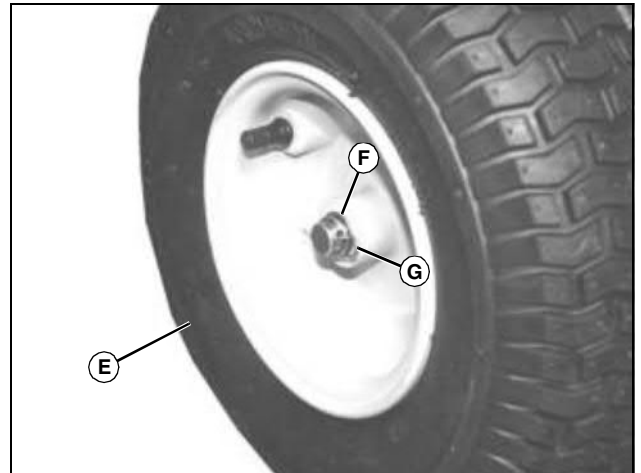


MX40410

1. Install a wheel (A) on the drive side of the axle by inserting the clevis pin (B) through the holes in the wheel hub and axle. Secure using the drive wheel clevis pin (C).

NOTE:

- Drive wheel washers (D) should be placed on both sides of the wheel hub, as shown.
- Three extra wheel washers are provided with LP25010.

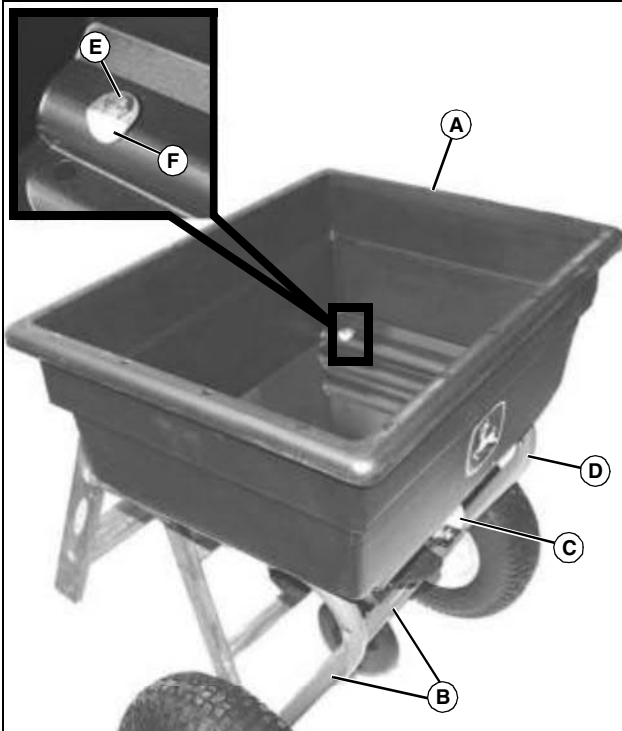


MX40409

2. On the idle side of the axle, slide a second wheel (E) all the way onto the axle until the outer hole in axle shows. Install the wheel washer (F) to remove unwanted wheel movement. Secure wheel to axle using the locking clip (G).

ASSEMBLY

Install Hopper

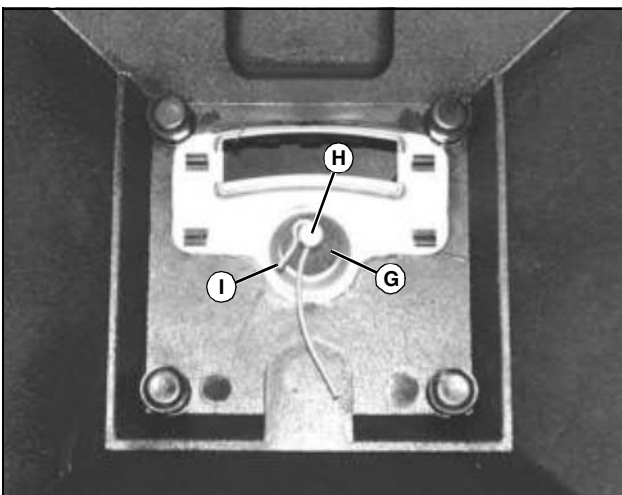


MX40564

1. Position hopper (A) onto frame (B) with center hole in bottom of hopper through spinner shaft. Install so rate dial (C) (along with curved part of frame (D)) is facing towards front, as shown.

- 80 lb Spreader: Install four 1/4 x 1-1/2 in. bolts (E) with curved washers (F) from the inside of the hopper through the frame.
- 125 and 175 lb Spreaders: Install four 1/4 x 1-3/4 in. bolts (E) with curved washers (F) from the inside of the hopper through the frame.

2. Install four 1/4 in. locknuts from bottom. Tighten all hardware.

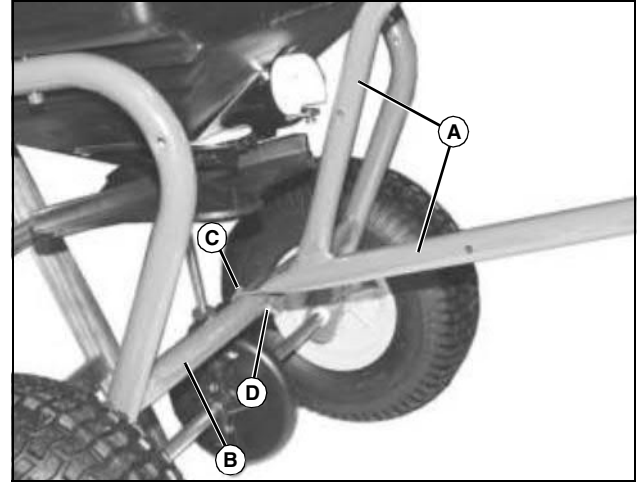


MX40565

3. Slide felt washer (G) onto spinner shaft (H).

4. Install agitator (I) by sliding through hole in top of spinner shaft as shown.

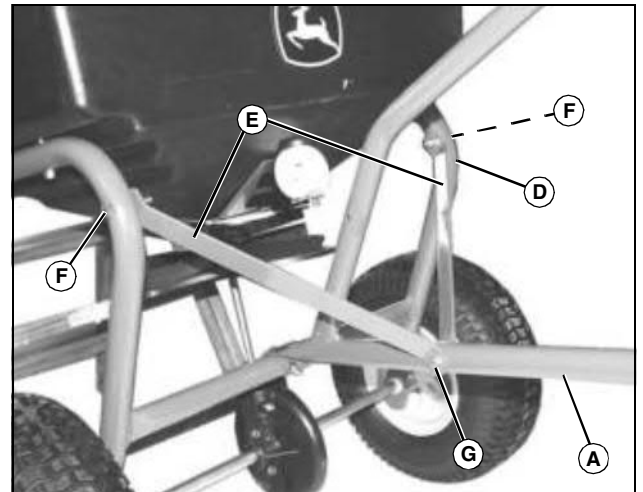
Install Tow Bar



MX40566

1. Position tow bar (A) over frame (B).

- 80 lb Spreader: Install 1/4 x 1-1/2 in. bolt (C) through tow bar and frame support and install locknut (D).
- 125 and 175 lb Spreaders: Install 1/4 x 1-3/4 in. bolt (C) through tow bar and frame support and install locknut (D).



MX40567

2. Fasten both braces (E) to the frame (D):

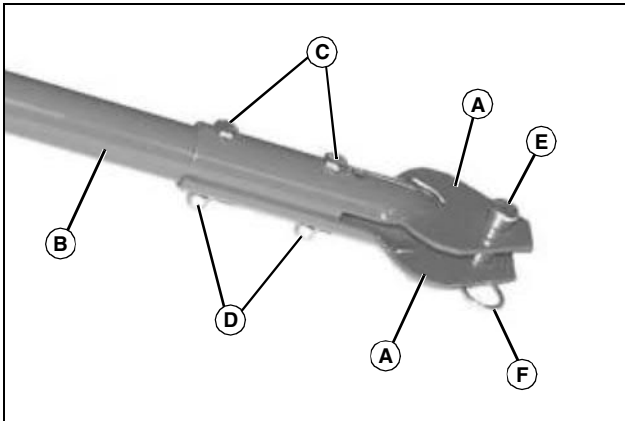
- 80 lb Spreader: Secure with 1/4 x 1-1/2 in. screws (F) with 1/4 in. locknuts.
- 125 and 175 lb Spreaders: Secure with 1/4 x 1-3/4 in. screws (F) with 1/4 in. locknuts.

3. Attach both braces (E) to tow bar (A):

- 80 lb Spreader: Secure with 1/4 x 1-1/2 in. screws (G) with 1/4 in. locknuts.
- 125 and 175 lb Spreaders: Secure with 1/4 x 1-3/4 in. screws (G) with 1/4 in. locknuts.

INSTALLING

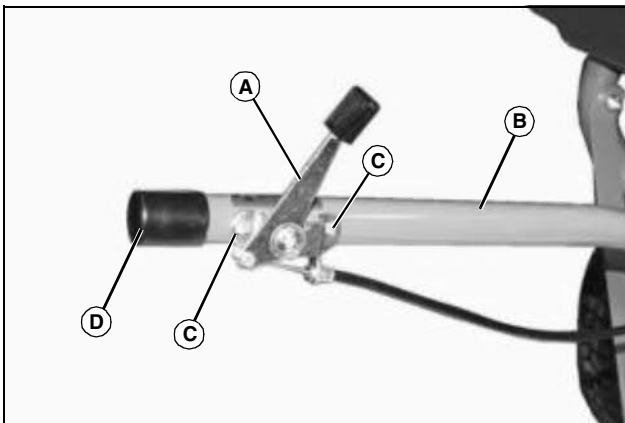
Install Hitch Plates



MX40568

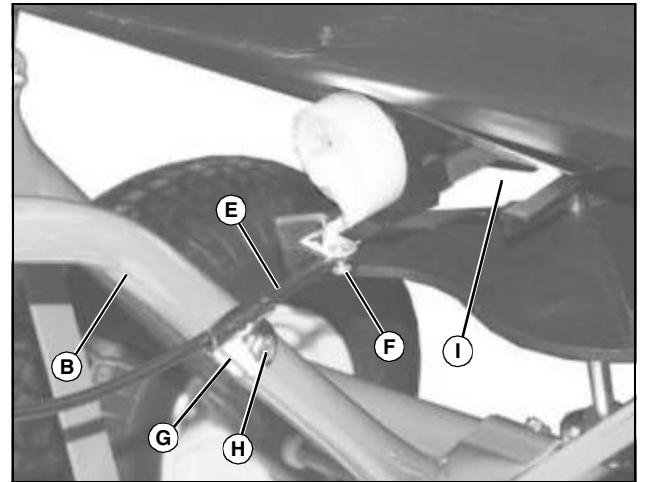
1. Fasten both sides of hitch plate (A) to tow bar (B):
 - 80 lb Spreader: Secure with 1/4 x 1-1/2 in. screws (C) with 1/4 in. locknuts (D).
 - 125 and 175 lb Spreaders: Secure with 1/4 x 1-3/4 in. screws (C) with 1/4 in. locknuts (D).
2. Install hitch pin (E) with spring locking pin (F).

Install On / Off Control Lever



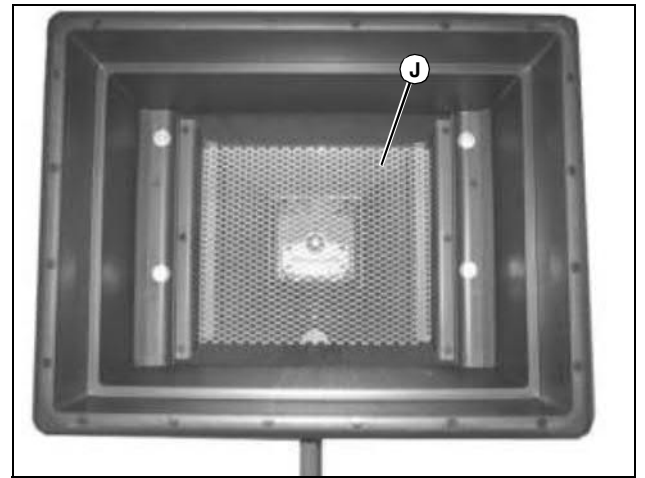
MX40569

1. Fasten control lever (A) to tow bar (B) using two #10 x 1-1/2 in. screws (C) with #10 locknuts.
2. Push control lever (A) handle toward hopper.
3. Install handle cap (D) on the tow bar (B).



MX40570

4. Slide control cable (E) wire into swivel connector (F) and secure with screw.
5. Route control cable (E) through cable clamp (G), and secure cable clamp to tow bar (B):
 - 80 lb Spreader: Using one 1/4 x 1-1/4 in. screw (H) with 1/4 in. locknut.
 - 125 and 175 lb Spreaders: Using one 1/4 x 1-1/2 in. screw (H) with 1/4 in. locknut.
6. Check to make sure control lever fully closes and opens the rate gate (I). If it does not, loosen screw (F) and adjust cable as necessary.



MX40571

7. Install screen (J) in the hopper.

Installing

Installing the Spreader

1. Park machine safely. See "Parking Safely" in Safety section.



Suggest:

If the above button click is invalid.

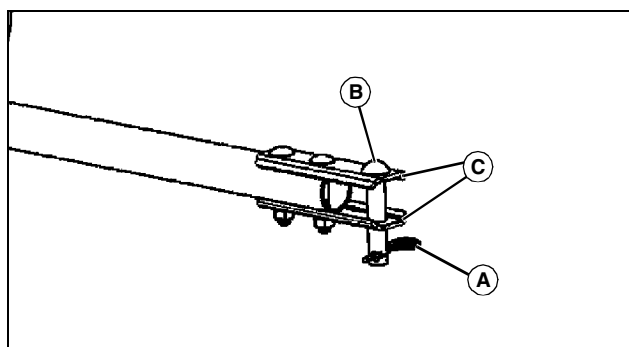
Please download this document

first, and then click the above link

to download the complete manual.

Thank you so much for reading

REMOVING AND STORING



MX34595

2. Remove spring locking pin (A) and hitch pin (B) from hitch clevis (C) of spreader.
3. Pull spreader forward and position hitch clevis to straddle machine rear hitch plate or drawbar (not shown). Align all hitch pin holes, then install hitch pin down through hitch clevis and machine hitch, securing with spring locking pin.

Removing and Storing

Removing the Spreader

1. Park machine safely. See "Parking Safely" in the Safety section.
2. Remove all materials from the hopper before removing spreader from machine.



CAUTION: Avoid injury! Keep hands, feet and other body parts away from under drawbar.

3. Remove 1/8 in. spring locking pin from hitch pin.
4. Hold spreader tow tube to remove pressure from hitch pin, then remove hitch pin from hitch clevis and rear hitch plate or drawbar on machine.
5. Pull or push spreader backward to disengage hitch clevis from machine hitch, install hitch pin in hitch clevis for storage and secure with 1/8 in. spring locking pin.

Storing Spreader

Placing into Storage

IMPORTANT: Avoid damage! Never leave fertilizer in the hopper. Fertilizer draws moisture, forms clumps, causes unnecessary rusting and deterioration of spreader, and may jam controls and other moving parts. Salt residue is especially corrosive. Clean and oil spreader immediately after each use.

1. Thoroughly clean and lubricate spreader before storing. (see Service section.)
2. Apply touchup paint to scratches to prevent rust.
3. Inflate tires to 30 psi (2 bar) (207 kPa) maximum.
4. Store spreader in an out-of-the-way place. Spreader can be tipped upright or hung to remove weight from tires/wheels. Do not use spreader as a shelf. Placing weight on spreader can distort tires/wheels over a period of time.

Removing from Storage

1. Inflate tires to 30 psi (2 bar) (207 kPa) maximum.

2. Perform all lubrication procedures as shown in the Service section.
3. Check and adjust on/off control.
4. Review Safety and Operating sections of this manual

Storing

The spreader can be tipped upright and stored against a wall using less space:

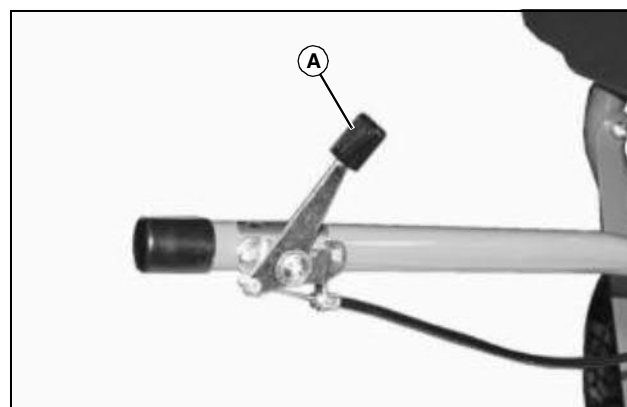
1. Remove any loose material from hopper and fan using a brush and garden hose. The spreader should be clean and dry before storing.
2. Roll spreader to desired storage area, lift hitch clevis to pivot spreader to vertical position.

Operating

Before Operating the Spreader

1. Inflate tires to 30 psi (2 bar) (207 kPa) maximum.
2. Check bushings and bearing surfaces for proper lubrication (See Service section).
3. Be sure controls operate smoothly and spreader wheels turn freely.
4. Before filling hopper, practice spreading. Become accustomed to operating the on/off control lever while spreader is in motion.

On/Off Control Lever



MX40569

1. Use On/Off control lever (A) to open and close hopper gate while spreader is in motion. This starts and stops material flow.
2. Move control lever towards spreader to open flow gate.
3. Move control lever away from spreader to close flow gate.

<https://www.ebooklibonline.com>

Hello dear friend!

Thank you very much for reading.

Enter the link into your browser.

The full manual is available for immediate download.

<https://www.ebooklibonline.com>