

**GS25, GS45 and GS75
Commercial
Walk-Behind Mowers**
(Serial No. 010001 –)

**OPERATOR'S
MANUAL**

**John Deere
Lawn & Grounds Care Division
OMM124655 D6**

North American Version
Litho in U.S.A
English

INTRODUCTION

THANK YOU for purchasing a John Deere product.

Read this manual and your attachment manuals thoroughly. Failure to do so could result in personal injury or equipment damage.



WARNING: The Engine Exhaust from this product contains chemicals known to the State of California to cause cancer, birth defects or other reproductive harm.

CALIFORNIA Proposition 65 Warning

This manual should be considered a permanent part of your machine and should remain with the machine when you sell it.

Measurements in this manual are metric units and their U.S. customary equivalents. RIGHT-HAND and LEFT-HAND sides are determined by facing in the direction the machine will travel when going forward. When you see a broken line arrow (→) it indicates the part it is pointing to is hidden.

Record identification numbers below. Be sure to record all the numbers to help in tracing the machine if it is stolen. You also need to give these numbers to your dealer when you order parts.

Date of Purchase: _____	Dealer Name: _____	Phone: _____
-----------------------------------	------------------------------	------------------------

Engine - Serial Number:
□ □ □ □ □ □ □ □ □ □ □ □ □ □ □ □

Mower Deck - Serial Number:
□ □ □ □ □ □ □ □ □ □ □ □ □ □ □ □

Power Unit - Serial Number:
□ □ □ □ □ □ □ □ □ □ □ □ □ □ □ □

TABLE OF CONTENTS

	Page
Safety Signs	1
Controls	3
Operating.....	6
Lawn Care.....	36
Replacement Parts	40
Service Machine Safely	42
Service Interval Chart	44
Service - Engine	48
Service - Transmission	56
Service - Steering and Brakes	59
Service - Mower	63
Service - Electrical.....	86
Service - Miscellaneous	94
Troubleshooting	99
Storing Vehicle.....	104
Assembly.....	106
Specifications	126

<https://www.ebooklibonline.com>

Hello dear friend!

Thank you very much for reading.

Enter the link into your browser.

The full manual is available for immediate download.

<https://www.ebooklibonline.com>

TABLE OF CONTENTS

	Page
Warranty.....	137
Index.....	142
John Deere Service Literature	151

All information, illustrations and specifications in this manual are based on the latest information at the time of publication. The right is reserved to make changes at any time without notice.

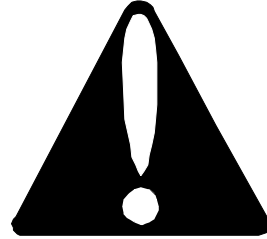
COPYRIGHT© 1996
John Deere Horicon Works
All rights reserved
Previous Editions
COPYRIGHT© 1996

SAFETY SIGNS

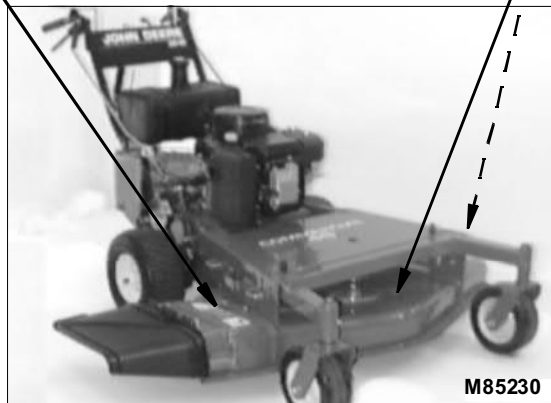
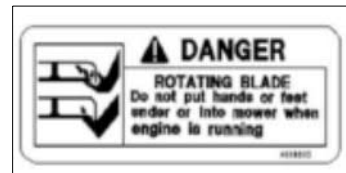
Safety-Alert Symbol

Read and recognize safety information. Be alert to the potential for personal injury when you see this safety-alert symbol.

On your machine safety labels, the words DANGER, WARNING, and CAUTION are used with this safety-alert symbol. DANGER identifies the most serious hazards. In this manual, the word CAUTION and this symbol call attention to safety messages.

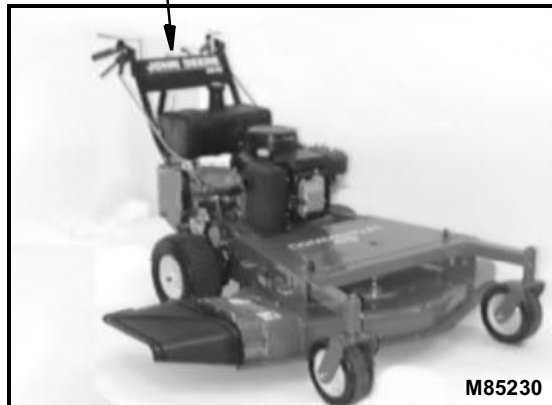


Machine Safety Labels



SAFETY SIGNS

Machine Safety Labels - continued



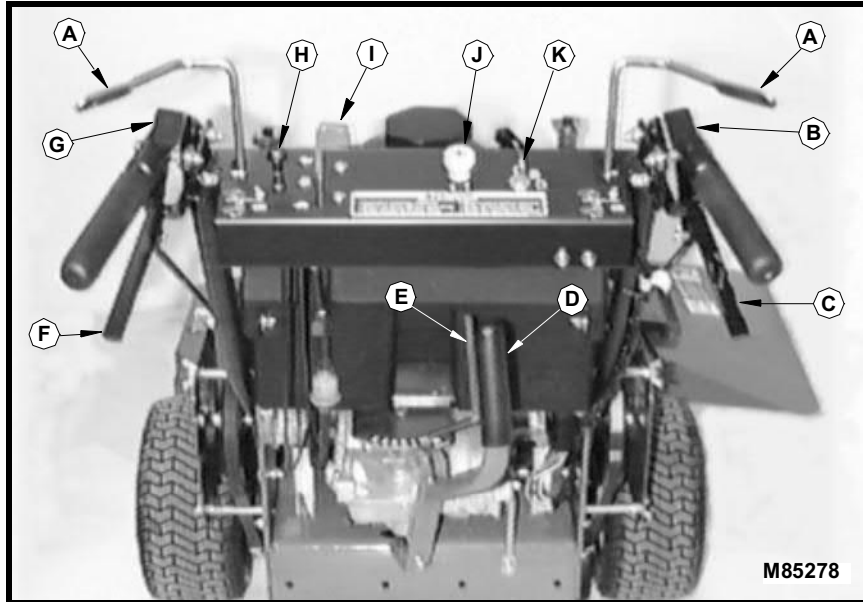
Compliance Label

This label on your machine indicates that this model has been tested and evaluated by the manufacturer and conforms to rotary mower requirements of the American National Standard B-71.4.1990 for Commercial Turf Care Equipment Safety Specification.

THIS MODEL HAS BEEN TESTED AND EVALUATED BY THE MANUFACTURER AND CONFORMS TO ALL APPLICABLE ROTARY MOWER REQUIREMENTS OF ANSI B71.4-1990 AMERICAN NATIONAL STANDARD FOR COMMERCIAL TURF CARE EQUIPMENT SAFETY SPECIFICATION

CONTROLS

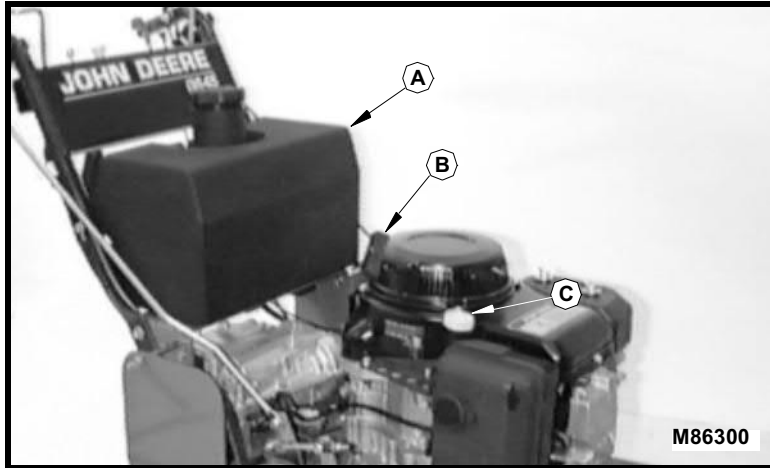
Console Controls



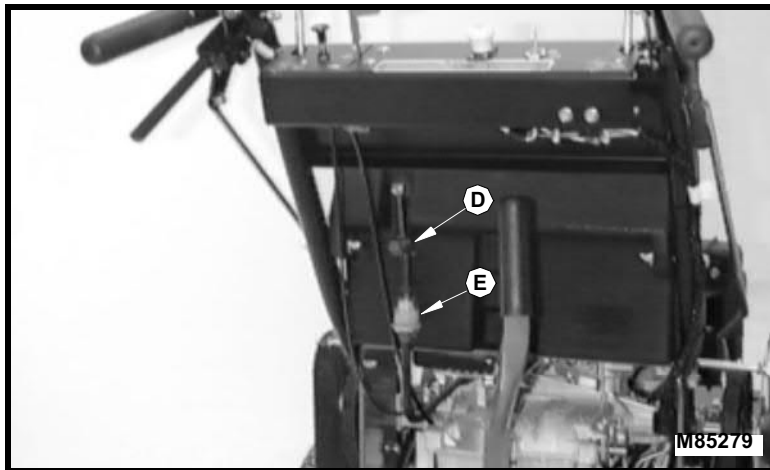
- A - Operator Presence Detects Operator's Presence
- B - RH Brake Lock Locks RH Brake Lever
- C - RH Brake Lever Engages RH Wheel Brake
- D - Shift Lever Engages Forward and Reverse Gears
- E - Reverse Lockout Lever Prevents Accidental Reverse Gear
- F - LH Brake Lever Engages LH Wheel Brake
- G - LH Brake Lock Locks LH Brake Lever
- H - Choke Controls Carburetor Choke
- I - Throttle Lever Controls Engine Speed
- J - PTO Switch Engages / Disengages Electric Clutch
- K - Key Switch Starts / Stops Engine

CONTROLS

Engine Controls



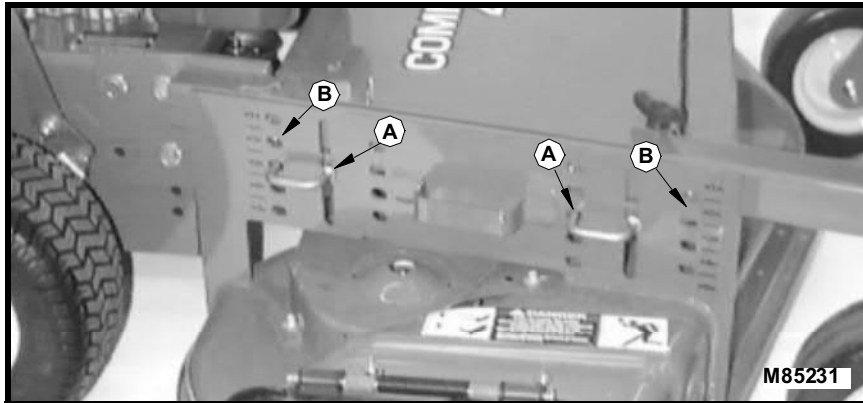
- A - Fuel Tank..... Contains Engine Fuel
- B - Starter Handle.....Pull to Start Engine
- C - Oil Fill Tube.....Check Engine Oil Level



- D - Fuel Shut-Off Valve Controls Fuel Supply to Engine
- E - Fuel Filter Filters fuel

CONTROLS

Mower Deck Height Controls (48/54-Inch Decks)



- A - Height Adjustment..... Changes Mower Deck Cut Height
- B - Height Indicators Indicates Mower Deck Height

Mower Deck Height Controls (36-Inch Decks)



- A - Caster Wheel SpacersChanges Mower Deck Cut Height
- B - Caster Wheel HardwareChanges Mower Deck Cut Height
- C - Frame HardwareChanges Mower Deck Cut Height

OPERATING

SAFETY



Operate Safely

- Check brake action before you operate. Adjust or service brakes as necessary.
- Inspect machine before you operate. Be sure hardware is tight. Repair or replace damaged, badly worn, or missing parts. Be sure guards and shields are in good condition and fastened in place. Make any necessary adjustments before you operate.
- Clear work area of objects that might be thrown. Keep people and pets out of the work area. Stop machine if anyone enters the area.
- If you hit an object, stop the machine and inspect it. Make repairs before you operate. Keep machine and attachments properly maintained and in good working order.
- DO NOT leave machine unattended when it is running.
- Only operate during daylight or with good artificial light.
- Be careful of traffic when operating near or crossing roadways.
- Do not wear radio or music headphones while operating the machine. Safe operation requires your full attention.

Park Safely

- Stop machine on a level surface, not on a slope.
- Disengage PTO.
- Engage park brakes.
- STOP engine.
- Remove key.
- Before you leave the operator's station, wait for engine and all moving parts to STOP.

OPERATING

Rotating Blades Are Dangerous - Protect Children And Prevent Accidents



PROTECT CHILDREN:

- Never assume that children will remain where you last saw them. Children are attracted to mowing activity, stay alert to the presence of children.
- Keep children in the house when you are operating the machine.
- Turn machine off if a child enters the mowing area.
- Use extra care when you come to blind corners, shrubs, trees, or other objects that may block your vision.
- DO NOT let children or an untrained person operate the machine.
- DO NOT carry or let children ride on machine or any attachment. DO NOT tow children in a cart or trailer.

HELP PREVENT SERIOUS OR FATAL ACCIDENTS:

- Be alert at all times, drive forward carefully. People ESPECIALLY CHILDREN can move quickly into the mowing area before you know it.
- Back carefully. Shut off PTO and look behind the machine carefully, ESPECIALLY FOR CHILDREN, before you back up.
- DO NOT mow in reverse unless it is absolutely necessary.
- Shut off PTO when you are not mowing.
- DO NOT operate machine if you are under the influence of drugs or alcohol.

OPERATING

Operate Sulky Safely

- Use sulky ONLY on EVEN terrain for mowing mostly in a straight line.
- Be careful when you drive sulky and mower through a dip. Handlebars may hit you, ESPECIALLY when you make a turn.



Avoid Tipping

- DO NOT drive where machine could slip or tip.
- Stay alert for holes and other hidden hazards in the terrain.
- Keep away from drop-offs.
- Slow down before you make a sharp turn or operate on a slope.
- Drive across a hill—not up and down. Be careful when you change direction on a slope.
- DO NOT stop when going up hill or down hill. If machine stops going up hill, STOP PTO and back down slowly.
- DO NOT mow wet grass. Reduced traction could cause sliding.

Operator Training Required

- Study operation section of this manual before operating the machine.
- Operate machine in an open, unobstructed area under the direction of an experienced operator.
- Learn the use of all controls.
- Operator experience is required to learn the moving, stopping, turning and other operating characteristics of the machine.

OPERATING

Keep Riders Off

- Only allow the operator on the sulky. Keep riders off sulky and mower.
- Riders on the machine may be struck by foreign objects or thrown off the machine causing serious injury.
- Riders obstruct the operator's view resulting in the machine being operated in an unsafe manner.



Wear Appropriate Clothing

- Wear close fitting clothing and safety equipment appropriate for the job.
- Loud noise can cause impairment or loss of hearing, wear a suitable protective device such as earplugs.



Transport Safely

- Use safety lights and devices. Slow moving machines when driven on public roads are hard to see, especially at night. Avoid personal injury or death resulting from a collision with a vehicle.
- Whenever driving on public roads, use flashing warning lights and turn signals according to local regulations. Extra flashing warning lights may need to be installed.



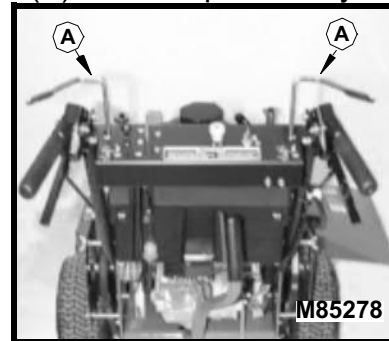
OPERATING

Using Operator Presence

The operator presence system is designed to protect the operator. The operator presence lever (A) can be operated by either the left or right hand.

To operate the PTO, the operator presence lever (A) must be held down against the handlebars by the operator.

If the operator releases the operator presence lever (A) while mowing; the engine will automatically stop.

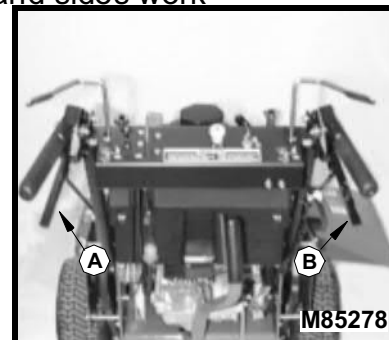


Using Hand Brake Levers

The hand brake levers (A & B) are used to steer the unit. When a hand brake lever is engaged or partially engaged, the drive wheel is disconnected from the transmission and the steering brake is applied. The left and right hand sides work independently from each other.

Left brake lever (A) controls left drive wheel. Pull and hold lever against handle to turn LEFT.

Right brake lever (B) controls right drive wheel. Pull and hold lever against handle to turn RIGHT.



If brake levers are not adjusted equally or unit does not steer correctly, see Adjusting Brakes or Adjusting Drive Wheel Belt Tension in the Service - Steering and Brakes section or Adjusting Tire Pressure in the Service - Miscellaneous section.

Emergency Stopping:

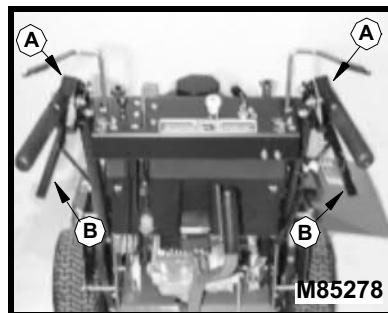
- Pull up brake levers to stop forward movement.
- Lock brake levers by pushing brake lever locks forward.
- Release operator presence lever.
- Turn ignition key to the "OFF" position.

OPERATING

Using Brake Lever Locks

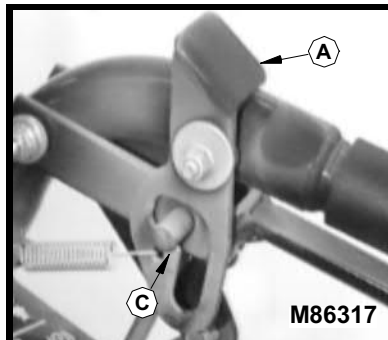
The brake lever locks (A) are designed to operate as a parking brake. When the brake levers (B) are locked in the engaged position: the drive wheels are disconnected from the transmission and the left and right steering brakes are engaged. The left and right hand sides work independently from each other.

1. Pull up brake levers (B) to stop forward movement.



2. Push lever locks (A) forward with thumbs:

- Operational Brake detent position (C).

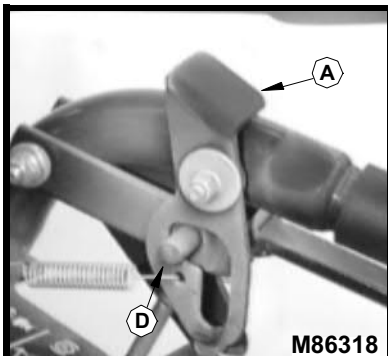


- Park Brake detent position (D).

3. Release brake levers.

To release brake lever locks; pull up on brake levers and locks will automatically release.

If brake levers are not adjusted equally or the brake lever locks cannot be engaged, see Adjusting Brakes in the Service - Steering And Brakes section.



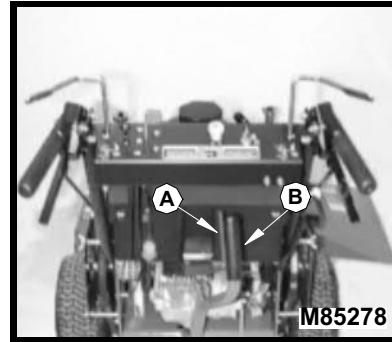
OPERATING

Using Speed Selector Lever

Speed Selector Lever (B) controls the units forward speed and reverse motion.

Forward:

- It is OK to shift on-the-go among forward speeds.
- There are five forward speeds available: “1” is the slowest speed and “5” is the fastest speed.
- Speed range is approximately: 2.9 to 9.6 km/h (1.8 to 5.9 mph).
- The transmission shift lever “N” neutral location is adjustable. If necessary, adjust neutral “N” location. see Adjusting Transmission Shift Lever in the Service - Transmission section.



Reverse:

- Stop forward movement before you shift into reverse.
- Pull reverse lock (A) towards speed selector lever (B). Move speed selector lever into reverse “R” position.
- Reverse speed is approximately: 1.2 km/h (0.75 mph).
- The reverse lock (A) should be fully seated in the speed indicator plate neutral “N” notch. If necessary adjust the reverse lock, see Adjusting Transmission Reverse Lock Lever in the Service - Transmission section.

The transmission controls the units forward and reverse motion through out all the gears. If you suspect any slippage in the drivetrain, check the tension on the drive belts:

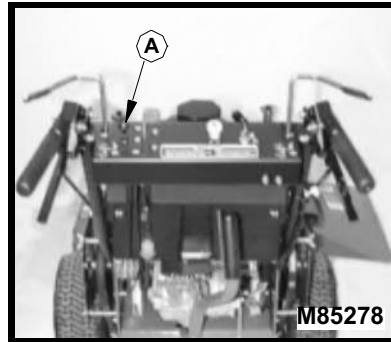
- See Adjusting Transmission Drive Belt Tension in the Service - Transmission section.
- See Adjusting Drive Wheel Belt Tension in the Service - Steering And Brakes section.

OPERATING

Using Choke

Pull knob up to CHOKE engine.

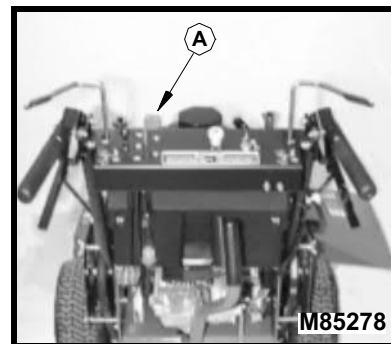
Push knob down to OPEN choke.



Using Throttle Lever

Push lever all the way forward to FAST (🐇) position. Use this position when you mow.

Pull lever to rear to SLOW (🐌) position. Do not run engine at SLOW idle any longer than necessary.



Using PTO Switch

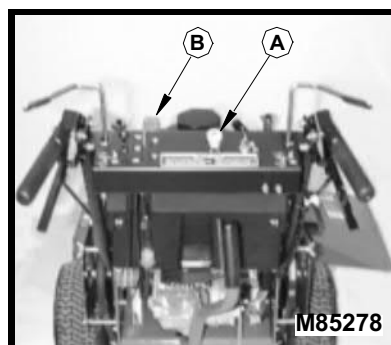
NOTE: Prior to engaging the PTO, the operator presence lever must be engaged. See Using Operator Presence Lever in this section.

Engage PTO:

- Move throttle lever (B) to the 1/2 to 3/4 FAST (🐇) position.
- Pull knob (A) up.
- Move throttle lever (B) forward to the FAST (🐇) position for mowing.

Disengage PTO:

- Push knob (A) DOWN.





Suggest:

If the above button click is invalid.

Please download this document

first, and then click the above link

to download the complete manual.

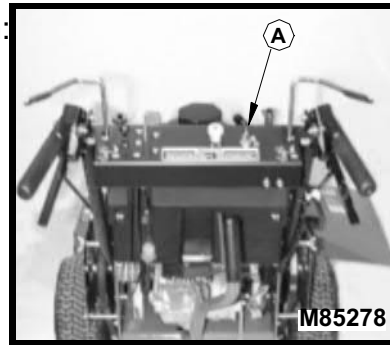
Thank you so much for reading

OPERATING

Using Key Switch

Start Engine:

- Turn key to FIRST or RUN position.
- Manual Start Model: Engine is ready to start. Pull starter handle.
- Electric Start Model: Turn key to SECOND or START position to START engine.

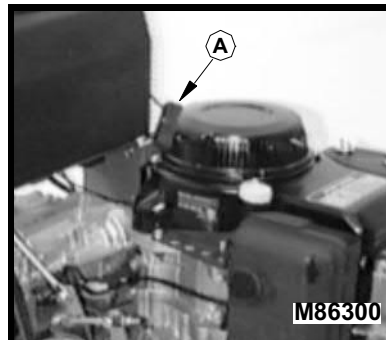


Stop Engine:

- Turn key to the VERTICAL position to STOP the engine.

Using Starter Handle (Recoil Start)

1. Pull starter handle slowly until you feel resistance within the engine. Then pull fast and steady.
2. Let rope return slowly. Do not let it snap back.



<https://www.ebooklibonline.com>

Hello dear friend!

Thank you very much for reading.

Enter the link into your browser.

The full manual is available for immediate download.

<https://www.ebooklibonline.com>