

**JOHN DEERE**  
**WORLDWIDE COMMERCIAL & CONSUMER**  
**EQUIPMENT DIVISION**

---

**Commercial Walk Behind Mower**  
**G15**

SN (015001-)

OMTCU21436 L8

**OPERATOR'S MANUAL**



**JOHN DEERE**

**⚠ WARNING:** The Engine Exhaust from this product contains chemicals known to the State of California to cause cancer, birth defects or other reproductive harm.

California Proposition 65 Warning

North American Version  
Litho in U.S.A.

# INTRODUCTION

---

## Thank You for Purchasing a John Deere Product

We appreciate having you as a customer and wish you many years of safe and satisfied use of your machine.

## Using Your Operator's Manual

This manual is an important part of your machine and should remain with the machine when you sell it.

Reading your operator's manual will help you and others avoid personal injury or damage to the machine. Information given in this manual will provide the operator with the safest and most effective use of the machine. Knowing how to operate this machine safely and correctly will allow you to train others who may operate this machine.

If you have an attachment, use the safety and operating information in the attachment operator's manual along with the machine operator's manual to operate the attachment safely and correctly.

This manual and safety signs on your machine may also be available in other languages (see your authorized dealer to order).

Sections in your operator's manual are placed in a specific order to help you understand all the safety messages and learn the controls so you can operate this machine safely. You can also use this manual to answer any specific operating or servicing questions. A convenient index located at the end of this book will help you to find needed information quickly.

The machine shown in this manual may differ slightly from your machine, but will be similar enough to help you understand our instructions.

RIGHT-HAND and LEFT-HAND sides are determined by facing in the direction the machine will travel when going forward. When you see a broken line (-----), the item referred to is hidden from view.

Before delivering this machine, your dealer performed a predelivery inspection to ensure best performance.

## Special Messages

Your manual contains special messages to bring attention to potential safety concerns, machine damage as well as helpful operating and servicing information. Please read all the information carefully to avoid injury and machine damage.



**CAUTION: Avoid injury! This symbol and text highlight potential hazards or death to the operator or bystanders that may occur if the hazards or procedures are ignored.**

**IMPORTANT: Avoid damage! This text is used to tell the operator of actions or conditions that might result in damage to the machine.**

**NOTE: General information is given throughout the manual that may help the operator in the operation or service of the machine.**

## Attachments for Your Machine

There's a John Deere attachment or kit to make your new machine perform more tasks or be more versatile, whether your machine is a lawn tractor or compact utility tractor or a utility vehicle.

You can check out the entire line of attachments for your machine at [JohnDeere.com](http://JohnDeere.com) or ask your John Deere dealer. From aerators to electric lift kits to tillers, there's a John Deere attachment or kit to fill every need.

# PRODUCT IDENTIFICATION

---

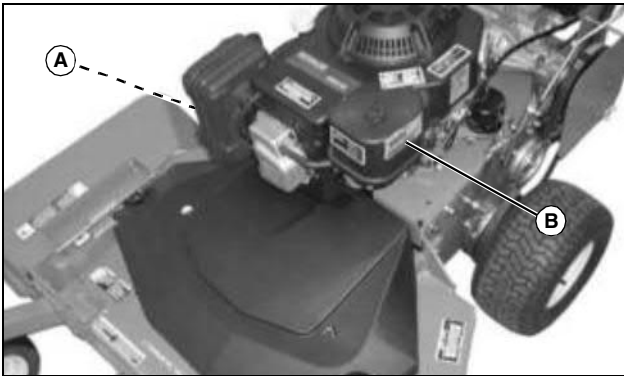
## Record Identification Numbers

### G15

PIN (015001- )

If you need to contact an Authorized Service Center for information on servicing, always provide the product model and serial number.

You will need to locate the model and serial number for the machine and for the engine of your machine and record the information in the spaces provided below.



MX21200

DATE OF PURCHASE:

\_\_\_\_\_

DEALER NAME:

\_\_\_\_\_

DEALER PHONE:

\_\_\_\_\_

PRODUCT IDENTIFICATION NUMBER (A):

-----

ENGINE SERIAL NUMBER (B):

-----

**<https://www.ebooklibonline.com>**

Hello dear friend!

Thank you very much for reading.

Enter the link into your browser.

The full manual is available for immediate download.

**<https://www.ebooklibonline.com>**

# TABLE OF CONTENTS

---

Safety Labels .....	1
Safety .....	3
Operating .....	8
Replacement Parts .....	19
Service Intervals .....	20
Service Lubrication .....	21
Service Engine .....	23
Service Transmission .....	27
Service Steering & Brakes .....	29
Service Mower .....	32
Service Miscellaneous .....	41
Troubleshooting .....	43
Storage .....	46
Specifications .....	47
Warranty .....	49
Index .....	52

All information, illustrations and specifications in this manual are based on the latest information at the time of publication. The right is reserved to make changes at any time without notice.

COPYRIGHT© 2009  
Deere & Co.  
John Deere Worldwide Commercial and  
Consumer Equipment Division  
All rights reserved  
Previous Editions  
COPYRIGHT© 2004, 2005, 2006

OMTCU21436 L8 - English

# SAFETY LABELS

## Understanding The Machine Safety Labels



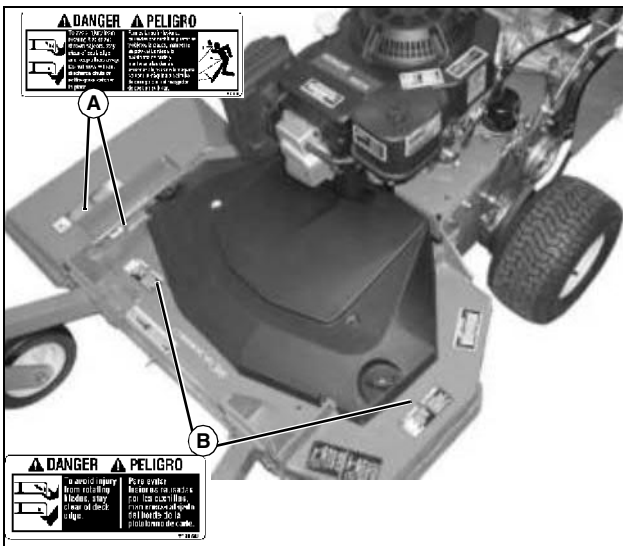
Safety-Alert Symbol

The machine safety labels shown in this section are placed in important areas on your machine to draw attention to potential safety hazards.

On your machine safety labels, the words DANGER, WARNING, and CAUTION are used with this safety-alert symbol. DANGER identifies the most serious hazards.

The operator's manual also explains any potential safety hazards whenever necessary in special safety messages that are identified with the word, CAUTION, and the safety-alert symbol.

## Safety Label Locations



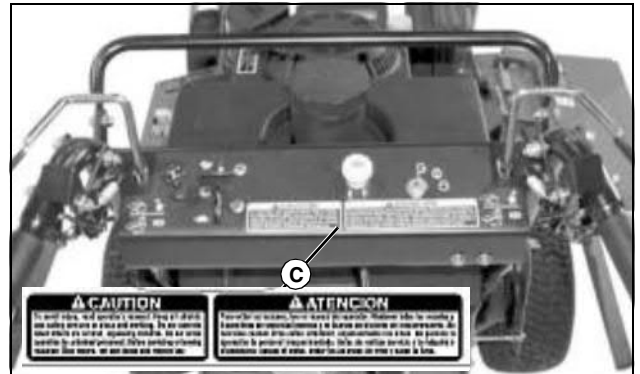
MX21200, M131739, M131748

### DANGER (A)

To avoid injury from rotating blades and thrown objects, stay clear of deck edge and keep others away. Do not mow without discharge chute or entire grass catcher in place.

### DANGER (B)

To avoid injury from rotating blades, stay clear of deck edge.



MX21163 TCU18153

### CAUTION (C)

To avoid injury, read operator's manual. Keep all shields and safety devices in place and working. Do not operate when others are around, especially children. Do not allow operation by untrained personnel. Before servicing or leaving machine: Stop engine, set park brake and remove key.

## Emission Control System Certification Label

**NOTE: Tampering with emission controls and components by unauthorized personnel may result in severe fines or penalties. Emission controls and components can only be adjusted by EPA and/or CARB authorized service centers. Contact your John Deere Commercial and Consumer Equipment Retailer concerning emission controls and component questions.**

The presence of an emissions label signifies that the engine has been certified with the United States Environmental Protection Agency (EPA) and/or California Air Resources Board (CARB).

The emissions warranty applies only to those engines marketed by John Deere that have been certified by the EPA and/or CARB; and used in the United States and Canada in off-road mobile equipment.

## Emission Compliance Period

If your engine has the emission compliance category listed on the emission control system certification or air index label, this indicates the number of operating hours for which the engine has been certified to meet EPA and/or CARB emission requirements. The following table provides the

# SAFETY LABELS

---

engine compliance period in hours associated with the category found on the certification label.

Agency	Category	Hours
EPA	C	250
EPA	B	500
EPA	A	1000
CARB	Moderate	125
CARB	Intermediate	250
CARB	Extended	500

## WARNING TCU26800

### SPARK ARRESTOR



Operation of this equipment may create sparks that can start fires around dry vegetation. A spark arrestor may be required. the operator should contact local fire agencies for laws or regulations relating to fire prevention requirements.

## Canadian Electromagnetic Compatibility (EMC) Compliance

This spark ignition system complies with Canadian ICES-002.

## Certification

Your product has been tested and evaluated by the manufacturer and conforms with American National Standard B-71.4, "Safety Specifications" for commercial turf care equipment.

---

# SAFETY

---

## Operator Training Required

- Read the operator's manual and other training material. If the operator or mechanic cannot read English, it is the owner's responsibility to explain this material to them. This publication is available in other languages.
- Become familiar with the safe operation of the equipment, operator controls, and safety signs.
- All operators and mechanics should be trained. The owner of the machine is responsible for training the users.
- Never let children or untrained people operate or service the equipment. Local regulations may restrict the age of the operator.
- The owner/user can prevent and is responsible for accidents or injuries occurring to themselves, other people, or property.
- Operate the machine in an open, unobstructed area under the direction of an experienced operator.

## Preparation

- Evaluate the terrain to determine what accessories and attachments are needed to properly and safely perform the job. Only use accessories and attachments approved by the manufacturer.
- Wear appropriate clothing including hard hat, safety glasses and hearing protection. Long hair, loose clothing or jewelry may get tangled in moving parts.
- Inspect the area where the equipment is to be used and remove all objects such as rocks, toys and wire which can be thrown by the machine.
- Use extra care when handling gasoline and other fuels. They are flammable and vapors are explosive.
  - a. Use only an approved container.
  - b. Never remove gas cap or add fuel when engine is running. Do not smoke.
  - c. Never refuel or drain the machine indoors.
- Check that the operator's presence controls, safety switches and shields are attached and functioning properly. Do not operate unless they are functioning properly.

## Operating Safely

- Never run an engine in an enclosed area where dangerous carbon monoxide fumes can collect.
- Only operate in good light, keeping away from holes and hidden hazards.
- Be sure all drives are in neutral and parking brake is

engaged before starting engine. Only start engine from the operator's position.

- Be sure of your footing while using pedestrian-controlled equipment, especially when backing up. Walk, don't run. Never operate on wet grass. Reduced footing could cause slipping.
- Slow down and use extra care on hillsides. Be sure to travel in the recommended direction on hillsides. For this machine, drive across hillsides, not up and down. Turf conditions can affect the machine's stability. Use caution while operating near drop-offs.
- Slow down and use caution when making turns and when changing directions on slopes.
- Never raise deck with the blades running.
- Never operate with guards not securely in place. Be sure all interlocks are attached, adjusted properly, and functioning properly.
- Never operate with the discharge deflector raised, removed or altered, unless using a grasscatcher. Do not operate mower without discharge chute or entire grasscatcher in place.
- Do not change the engine governor setting or overspeed the engine. Operating the engine at excessive speed can increase the hazard of personal injury.
- Stop on level ground, lower implements, disengage drives, engage parking brake, and shut off engine before leaving the operator's position for any reason including emptying the grasscatchers or unclogging the chute.
- Stop equipment and inspect blades after striking objects or if an abnormal vibration occurs. Make necessary repairs before resuming operations.
- Keep hands and feet away from the cutting units.
- Look behind and down before backing up to be sure of a clear path.
- Never carry passengers and keep pets and bystanders away.
- Slow down and use caution when making turns and crossing roads and sidewalks. Stop blades if not mowing. Watch for traffic when operating near or crossing roadways.
- Be aware of the mower discharge direction and do not point it at anyone.
- Do not operate the machine while under the influence of alcohol or drugs.
- Use care when loading or unloading the machine into or off of a trailer or truck.
- Use care when approaching blind corners, shrubs, trees, or other objects that may obscure vision.
- Inspect machine before you operate. Be sure hardware is

# SAFETY

---

tight. Repair or replace damaged, badly worn, or missing parts. Be sure guards and shields are in good condition and fastened in place. Make any necessary adjustments before you operate.

- Before using, always visually inspect to see that the blades, blade bolts and the mower assembly are not worn and damaged. Replace worn and damaged blades and bolts in sets to preserve balance.
- Keep safety labels visible when installing accessories and attachments.
- Do not wear radio or music headphones. Safe service and operation require your full attention.
- When machine is left unattended, stored, or parked, lower the mower deck unless a positive mechanical lock is used.
- Be sure all drives are in neutral and parking brake is locked before starting engine. Stand as far away from the discharge chute as possible with feet well away from the underside of the deck to start machine.
- Do not hang or secure any item to the control console. The operator's station should always remain unobstructed.
- Do not pull mower backwards while the blades are rotating. Use the reverse gear to move the machine in reverse.

## Using a Spark Arrestor

The engine in this machine is not equipped with a spark arrestor muffler. It is a violation of California Public Resource Code Section 4442 to use or operate this engine on or near any forest-covered, brush-covered or grass-covered land unless the exhaust system is equipped with a spark arrestor meeting any applicable local or state laws. Other states or federal areas may have similar laws.

A spark arrestor for your machine may be available from your authorized dealer. An installed spark arrestor must be maintained in good working order by the operator.



## Checking Mowing Area

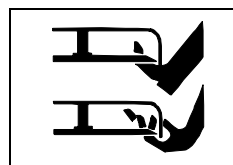
- Clear mowing area of objects that might be thrown. Keep people and pets out of mowing area.
- Low-hanging branches and similar obstacles can injure the operator or interfere with mowing operation. Before mowing, identify potential obstacles such as low-hanging branches, and trim or remove those obstacles.
- Study mowing area. Set up a safe mowing pattern. Do not mow where traction or stability is doubtful.

## Parking Safely

1. Stop machine on a level surface, not on a slope.
2. Disengage mower blades.
3. Lock the park brake.
4. Stop the engine.
5. Remove the key.
6. Wait for engine and all moving parts to stop before you leave the operator's station.
7. Close fuel shut-off valve, if your machine is equipped.
8. Remove the spark plug wire (for gasoline engines) before servicing the machine.

## Operating Safely on Slopes

- Slopes are a major factor related to slip and fall accidents which can result in severe injury. Operation on all slopes requires extra caution. If you feel uneasy on a slope, do not mow it.
- Mow across the face of slope, never up and down. Use extreme caution when changing direction on slopes.
- Keep all movement on slopes slow and gradual. Do not make sudden changes in speed or direction.
- Watch for holes, ruts, bumps, rocks or other hidden objects. Uneven terrain could cause a slip and fall accident. Tall grass can hide obstacles.
- Do not mow on wet grass or excessively steep slopes. Poor footing could cause a slip and fall accident.
- Do not mow near drop-offs, ditches, embankments, as well as ponds and other bodies of water. The operator could lose footing or balance. The machine could suddenly turn over if a wheel is over the edge of a cliff or ditch, or if an edge caves in.
- Follow the manufacturer's recommendations for counterweights for added stability when operating on slopes. Remove weights when not required.
- Use extra care with grasscatchers. These can change the stability of the machine. Do not use grasscatcher on steep slopes.



## Rotating Blades are Dangerous

### HELP PREVENT SERIOUS OR FATAL ACCIDENTS:

- Rotating blades can cut off arms and legs, and throw objects. Failure to observe safety

# SAFETY

instructions could result in serious injury or death.

- Keep hands, feet and clothing away from mower deck when engine is running.
- Be alert at all times, drive forward carefully. People, especially children can move quickly into the mowing area before you know it.
- Do not mow in reverse.
- Shut off blades when you are not mowing.
- Park machine safely before leaving the operator station for any reason including emptying the catchers or unplugging the chute.



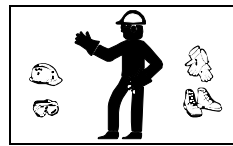
## Rotating Blades are Dangerous - Protect Children and Prevent Accidents

### Protect Children:

- Tragic accidents can occur if the operator is not alert to the presence of children. Children are often attracted to lawn-mowing machines and mowing activity. Stay alert to the presence of children. Never assume that children will remain where you last saw them.
- Keep children indoors, out of the mowing area, and in the watchful eye of a responsible adult, other than the operator, when a mower is being operated.
- Be alert and turn mower off if a child enters the work area. They don't understand the dangers of rotating blades or the fact that the operator is unaware of their presence.
- Never allow a child or an untrained person to operate the machine.
- Use extra care when approaching blind corners, shrubs, trees, or other objects that may block your view of a child.

## Checking Wheel Hardware

- A serious accident could occur causing serious injury if wheel hardware is not tight.
- Check wheel hardware tightness often during the first 100 hours of operation.
- Wheel hardware must be tightened to specified torque using the proper procedure anytime it is loosened.



## Wear Appropriate Clothing

- Always wear safety goggles, or safety glasses with side shields, and a hard hat when operating the machine.
- Wear close fitting clothing and safety equipment appropriate for the job.
- While mowing, always wear substantial footwear and long trousers. Do not operate the equipment when barefoot or wearing open sandals.
- Wear a suitable protective device such as earplugs. Loud noise can cause impairment or loss of hearing.



## Maintenance and Storage

- Never operate machine in a closed area where dangerous carbon monoxide fumes can collect.
- Disengage drives, lower implement, lock parking brake, stop engine and remove key or disconnect spark plug (for gas engines). Wait for all movement to stop before adjusting, cleaning or repairing.
- Clean grass and debris from cutting units, drives, mufflers, and engine to help prevent fires. Clean up oil or fuel spillage.
- Let engine cool before storing and do not store near flame.
- Shut off fuel while storing or transporting. Do not store fuel near flames or drain indoors.
- Park machine on level ground. Never allow untrained personnel to service machine. Understand service procedure before doing work.
- Use jack stands or lock service latches to support components when required. Securely support any machine elements that must be raised for service work.
- Before servicing machine or attachment, carefully release pressure from any components with stored energy, such as hydraulic components or springs.
- Release hydraulic pressure by lowering attachment or cutting units to the ground or to a mechanical stop and move hydraulic control levers back and forth.
- Disconnect battery or remove spark plug (for gas engines) before making any repairs. Disconnect the negative terminal first and the positive last. Reconnect positive first and negative last.
- Use care when checking blades. Wrap the blades or wear gloves, and use caution when servicing them. Only replace blades. Never straighten or weld them.

# SAFETY

- Keep hands, feet, clothing, jewelry and long hair away from moving parts. If possible, do not make adjustments with the engine running.
- Charge batteries in an open well ventilated area, away from spark and flames. Unplug charger before connecting or disconnecting from battery. Wear protective clothing and use insulated tools.
- Keep all parts in good working condition and all hardware tightened. Replace all worn or damaged decals.
- Check grasscatcher components and the discharge guard frequently and replace with manufacturer's recommended parts, when necessary. Grasscatcher components are subject to wear, damage, and deterioration which could expose moving parts or allow objects to be thrown.
- Keep all nuts and bolts tight, especially blade attachment bolts, to be sure the equipment is in safe working condition.
- Check brake operation frequently. Adjust and service as required.
- On multi-bladed machines, take care as rotating one blade can cause other blades to rotate.

## Avoid High Pressure Fluids

- Hydraulic hoses and lines can fail due to physical damage, kinks, age, and exposure. Check hoses and lines regularly. Replace damaged hoses and lines.
- Hydraulic fluid connections can loosen due to physical damage and vibration. Check connections regularly. Tighten loose connections.
- Escaping fluid under pressure can penetrate the skin causing serious injury. Avoid the hazard by relieving pressure before disconnecting hydraulic or other lines. Tighten all connections before applying pressure.
- Search for leaks with a piece of cardboard. Protect hands and body from high pressure fluids.
- If an accident occurs, see a doctor immediately. Any fluid injected into the skin must be surgically removed within a few hours or gangrene may result. Doctors unfamiliar with this type of injury should reference a knowledgeable medical source. Such information is available from Deere & Company Medical Department in Moline, Illinois, U.S.A. Information may be obtained in the United States and Canada only by calling 1-800-822-8262.

## Prevent Fires

- Remove grass and debris from engine compartment and muffler area, before and after operating machine, especially after mowing or mulching in dry conditions.

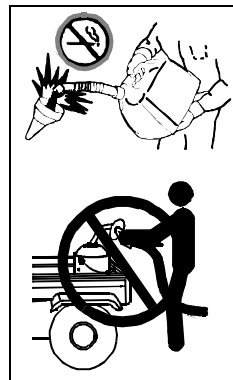
- Empty the grasscatcher completely before storing.
- Always shut off fuel when storing or transporting machine, if the machine has a fuel shutoff.
- Do not store machine near an open flame or source of ignition, such as a water heater or furnace.
- Check fuel lines, tank, cap, and fittings frequently for cracks or leaks. Replace if necessary.



## Tire Safety

Explosive separation of a tire and rim parts can cause serious injury or death:

- Do not attempt to mount a tire without the proper equipment and experience to perform the job.
- Always maintain the correct tire pressure. Do not inflate the tires above the recommended pressure. Never weld or heat a wheel and tire assembly. The heat can cause an increase in air pressure resulting in a tire explosion. Welding can structurally weaken or deform the wheel.
- When inflating tires, use a clip-on chuck and extension hose long enough to allow you to stand to one side and NOT in front of or over the tire assembly.
- Check tires for low pressure, cuts, bubbles, damaged rims or missing lug bolts and nuts.



## Handling Fuel Safely

**To avoid personal injury or property damage, use extreme care in handling fuel. Fuel is extremely flammable and fuel vapors are explosive:**

- Extinguish all cigarettes, cigars, pipes, and other sources of ignition.
- Use only an approved fuel container. Use only non-metal, portable fuel containers approved by the Underwriter's Laboratory (U.L.) or the American Society for Testing & Materials (ASTM). If using a funnel, make sure it is plastic and has no screen or filter.
- Never remove the fuel tank cap or add fuel with the engine running. Allow engine to cool before refueling.
- Never add fuel to or drain fuel from the machine indoors. Move machine outdoors and provide adequate ventilation.
- Clean up spilled fuel immediately. If fuel is spilled on clothing, change clothing immediately. If fuel is spilled near machine, do not attempt to start the engine but move the

# SAFETY

---

machine away from the area of spillage. Avoid creating any source of ignition until fuel vapors have dissipated.

- Never store the machine or fuel container where there is an open flame, spark, or pilot light such as on a water heater or other appliance.
- Prevent fire and explosion caused by static electric discharge. Static electric discharge can ignite fuel vapors in an ungrounded fuel container.
- Never fill containers inside a vehicle or on a truck or trailer bed with a plastic liner. Always place containers on the ground away from your vehicle before fueling.
- Remove fuel-powered equipment from the truck or trailer and refuel it on the ground. If this is not possible, then refuel such equipment with a portable container, rather than from a fuel dispenser nozzle.
- Keep the nozzle in contact with the rim of the fuel tank or container opening at all times until the fueling is complete. Do not use a nozzle lock-open device.
- Never overfill fuel tank. Replace fuel tank cap and tighten securely.
- Replace all fuel container caps securely after use.
- For gasoline engines, do not use gas with methanol. Methanol is harmful to your health and to the environment.

## Handling Waste Product and Chemicals

Waste products, such as, used oil, fuel, coolant, brake fluid, and batteries, can harm the environment and people:

- Do not use beverage containers for waste fluids - someone may drink from them.
- See your local Recycling Center or authorized dealer to learn how to recycle or get rid of waste products.
- A Material Safety Data Sheet (MSDS) provides specific details on chemical products: physical and health hazards, safety procedures, and emergency response techniques. The seller of the chemical products used with your machine is responsible for providing the MSDS for that product.

# OPERATING

## Daily Operating Checklist

- Test safety systems.
- Check tire pressure.
- Check fuel level.
- Check engine oil level.
- Remove grass and debris from engine compartment and muffler area, before and after operating machine.
- Clean air intake screen.
- Check area below machine for leaks.
- Check all necessary guards and shields are in place.
- Check mower deck level, cutting height and blades.
- Check mower and drive belts.
- Check steering controls and park brake linkage for damage.

## Avoid Damage to Plastic and Painted Surfaces

- Do not wipe plastic parts unless rinsed first.
- Insect repellent spray may damage plastic and painted surfaces. Do not spray insect repellent near machine.
- Be careful not to spill fuel on machine. Fuel may damage surface. Wipe up spilled fuel immediately.

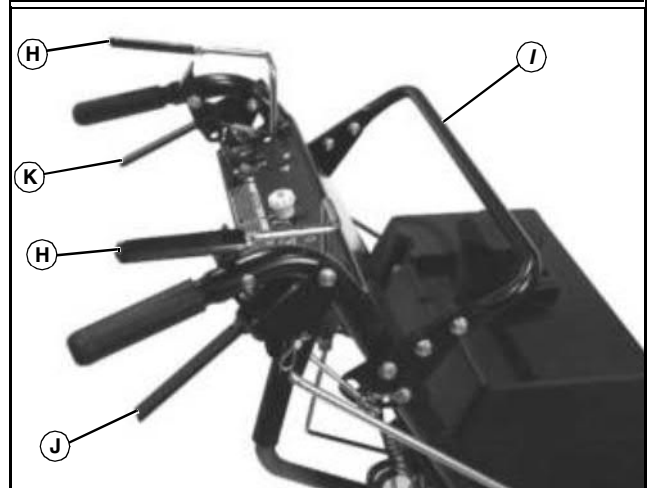
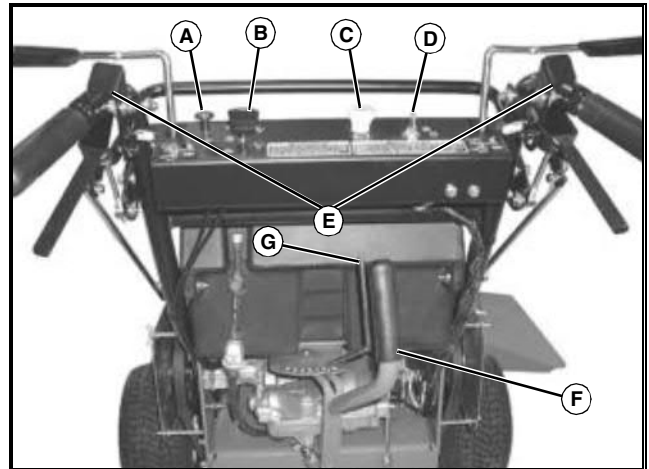
## Recommended Accessories

### Weight Kits

- Front weights are available for use on the Commercial Walk Behind Mower in hilly conditions. Use of weights will improve stability on slopes.
- Rear weights are available when using attachments such as baggers.

See your John Deere Dealer for more information.

## Operator Station Controls

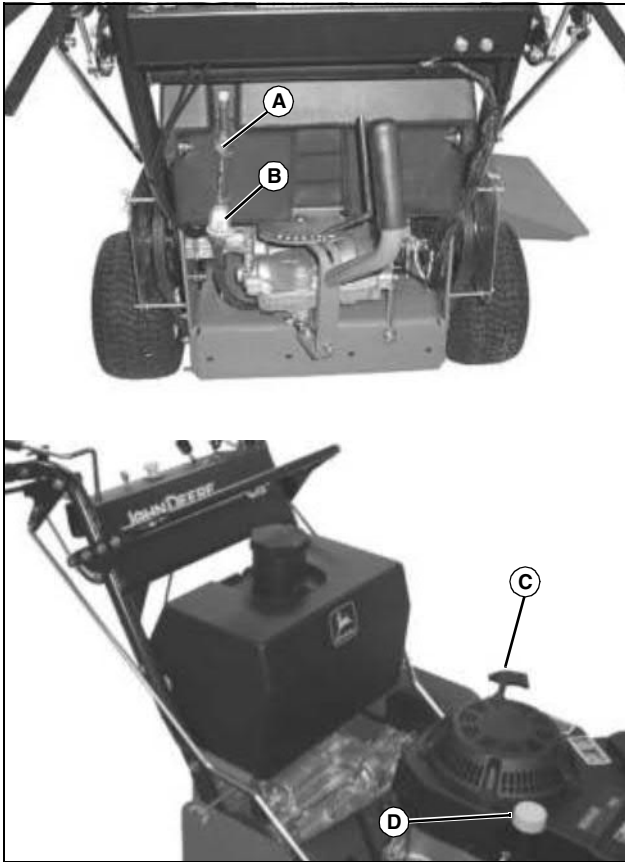


MX21196, MX21151

- A - Choke**
- B - Throttle Lever**
- C - PTO Switch Knob**
- D - Key Switch**
- E - Left and Right Brake Lock**
- F - Shift Lever**
- G - Reverse Lockout Lever**
- H - Operator Presence Bail**
- I - Reverse Assist Tube**
- J - Right Steering Control Lever**
- K - Left Steering Control Lever**

# OPERATING

## Engine Controls



MX21196, MX21197

- A - Fuel Shutoff Valve**
- B - Fuel Filter**
- C - Starter Handle**
- D - Oil Fill Tube**

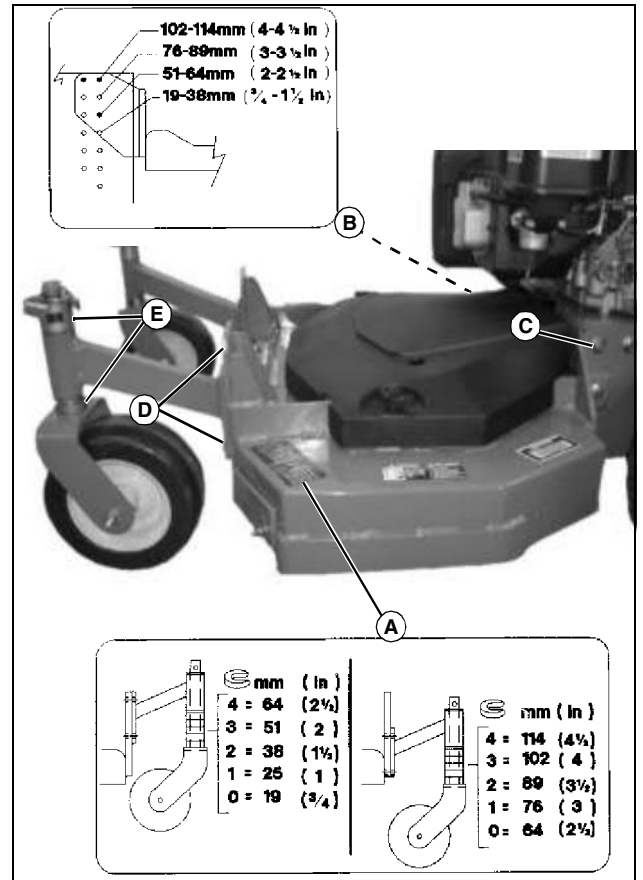
## Adjusting Mower Deck Height

### Mower Deck Cutting Height Range

The mower deck height adjustment consists of nine different cutting heights that range from 19–114 mm (3/4–4-1/2 in).

Please review mower deck labels (A and B).

The mower deck height adjustment consists of:



MX21204

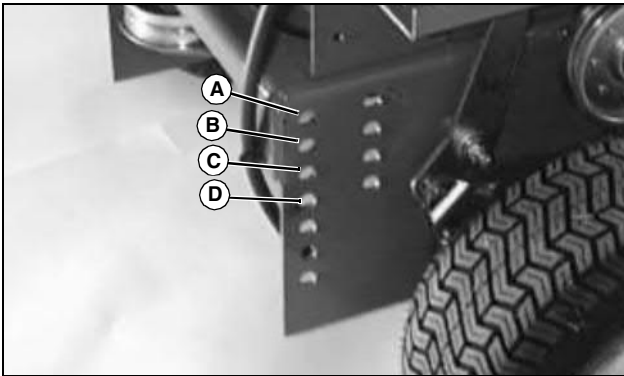
- Four sets of mounting holes in the power unit frame (C).
- Two sets of mounting holes in the caster wheel supports (D).
- Caster wheel spacers (E).

### Choose a Cutting Height

Choose a mower deck cutting height and start by attaching the mower deck to the power unit frame as listed below.

1. Remove belt cover.

## OPERATING



M85260

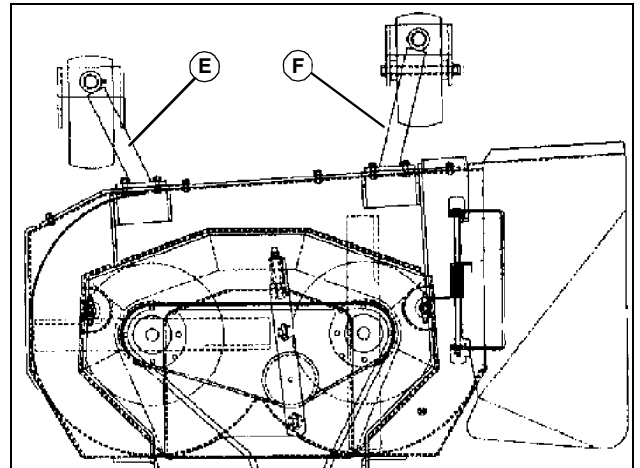
2. Connect mower deck to mounting holes in the power unit frame using six M12 cap screws and M12 lock nuts, tighten lock nuts to 140 N•m (105 lb-ft) see example:

- Use holes (A) for a cutting height of 102–114 mm (4–4-1/2 in).
- Use holes (B) for a cutting height of 76–89 mm (3–3-1/2 in).
- Use holes (C) for a cutting height of 51–64 mm (2–2-1/2 in).
- Use holes (D) for a cutting height of 19–38 mm (3/4–1-1/2 in).



M86332

**Picture Note:** This mower deck cutting height is set at 102–114 mm (4–4-1/2 in).

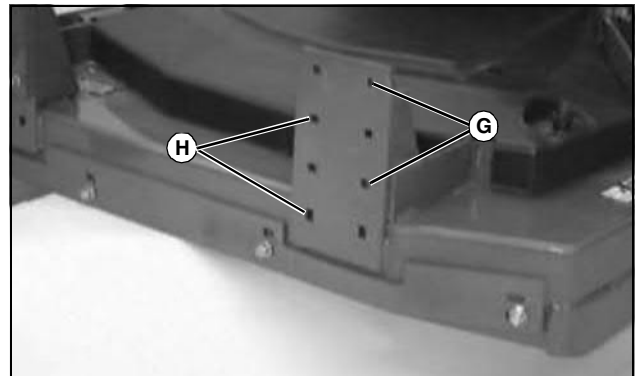


M86314

3. Install both caster wheel supports (E and F) to mounting holes in the mower deck frame using eight M8 carriage bolts and M8 lock nuts. Tighten lock nuts to 25 N•m (18.5 lb-ft).

Always adjust left and right caster wheel supports equally:

**NOTE:** Identify left (E) and right (F) caster wheel supports prior to attaching them to the mower deck frame.



M85266

- Use top mounting holes (G) for cutting heights of 19–64 mm (3/4–2-1/2 in).

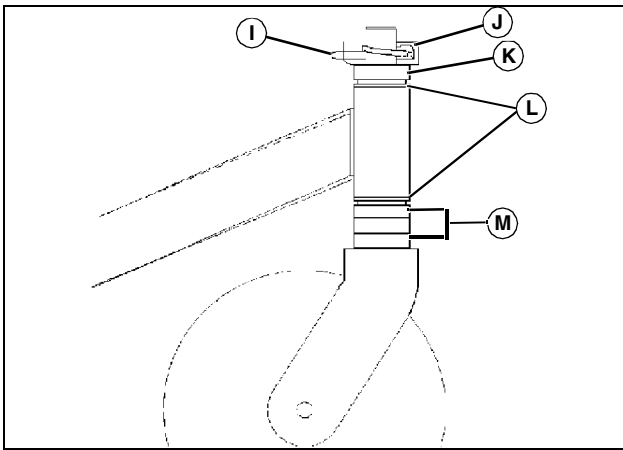
**NOTE:** When the bottom mounting holes are used, install the lower carriage bolts with the bolt head to the inside of the mower deck to avoid grass clippings from collecting on the hardware.

- Use bottom mounting holes (H) for cutting heights of 64–114 mm (2-1/2–4-1/2 in).

**NOTE:** The caster wheel height adjustment can be made without removing the caster wheel from the caster wheel bracket.

4. Adjust caster wheel height. Install spacers according to desired mower deck cutting height:

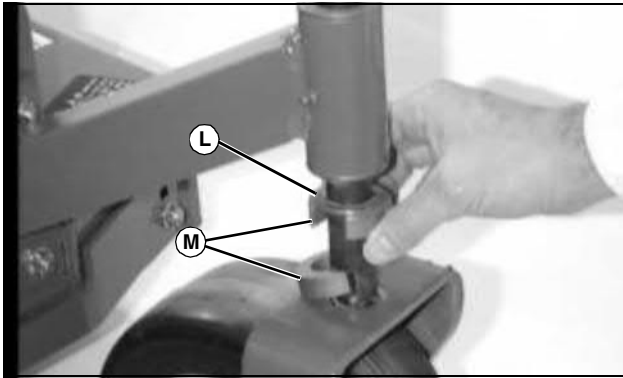
# OPERATING



M86319

- A - Lynch Pin**
- B - Pin Guard**
- C - Extra Spacer(s)**
- D - Steel Washers (2 used)**
- E - Spacers, Height Adjusting**

- Put a 150 mm (6 inch) block under the front edge of the mower deck.
- Remove lynch pin (I) and pin guard (J). When lynch pin is removed the caster wheel will drop to the floor.
- Align the open section of the spacer with the “flats” on the spindle shaft.



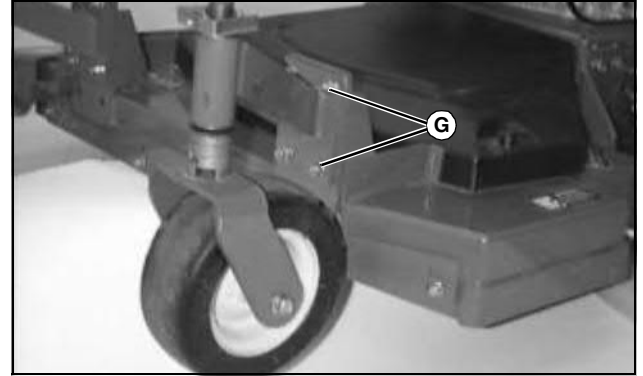
M86320

- Remove or add spacers (M) as required for your mower deck height. (For correct spacer placement see the following steps or the label on mower deck).

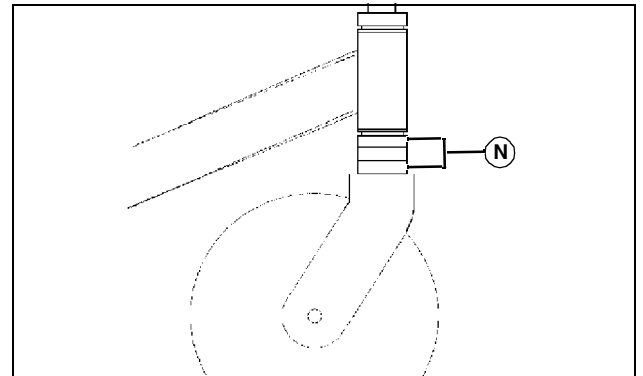
Mower decks set at 19–64 mm (3/4–2-1/2 in.):

**NOTE: The caster wheel brackets must be attached to the mower deck in the upper set of mounting holes (G).**

**Always adjust left and right caster wheels equally.**



M85268



M86321

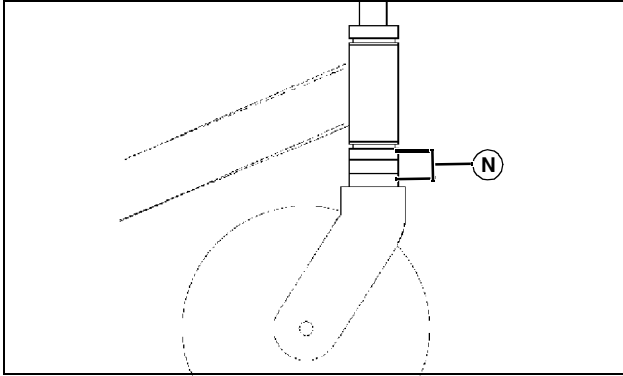
- Decks set at 19 mm (3/4 in), use no (0) spacers at location (N).
- Decks set at 25 mm (1 in), use one (1) spacer at location (N).
- Decks set at 38 mm (1-1/2 in), use two (2) spacers at location (N).
- Decks set at 51 mm (2 in), use three (3) spacers at location (N).
- Decks set at 64 mm (2-1/2 in), use four (4) spacers at location (N).

# OPERATING

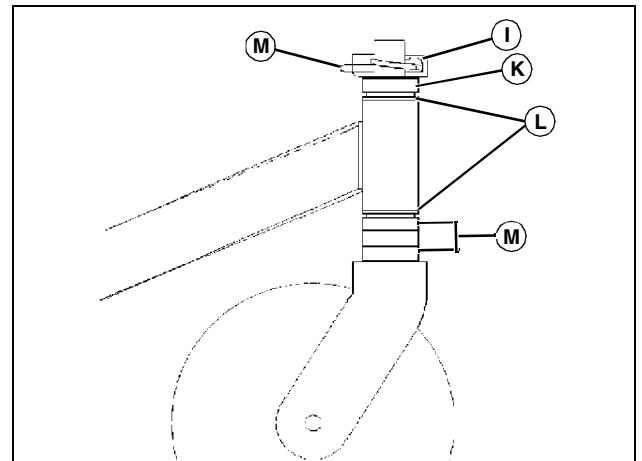
Decks set at 64–114 mm (2-1/2–4-1/2 in):

**NOTE:** The caster wheel brackets must be attached to the mower deck in the lower set of mounting holes (I).

Always adjust left and right caster wheels equally.



M86321



M86319

- A - Lynch Pin
- B - Pin Guard
- C - Extra Spacer(s)
- D - Steel Washers (2 used)
- E - Spacers, Height Adjusting

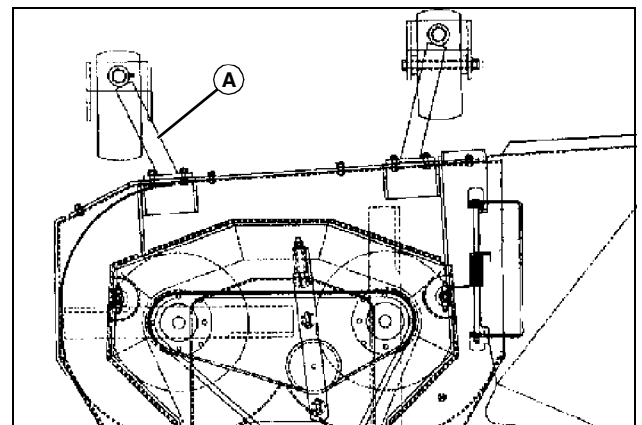
- Decks set at 64 mm (2-1/2 in), use no (0) spacers at location (N).
- Decks set at 76 mm (3 in), use one (1) spacer at location (N).
- Decks set at 89 mm (3-1/2 in), use two (2) spacers at location (N).
- Decks set at 102 mm (4 in), use three (3) spacers at location (N).
- Decks set at 114 mm (4-1/2 in), use four (4) spacers at location (N).

5. Always store extra spacers on caster spindle at location (K).

6. With the correct number of spacers installed, assemble each caster wheel.
7. Remove block from under mower deck.
8. Install belt cover

## Optional Left Caster Position

If you are experiencing a grass striping problem that is in alignment with the left caster wheel, try this solution:

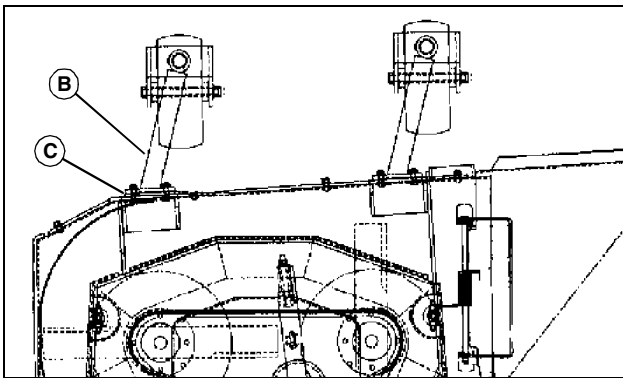


M86314

- Remove left caster wheel support (A).
- Purchase another right caster wheel support from your John Deere dealer.

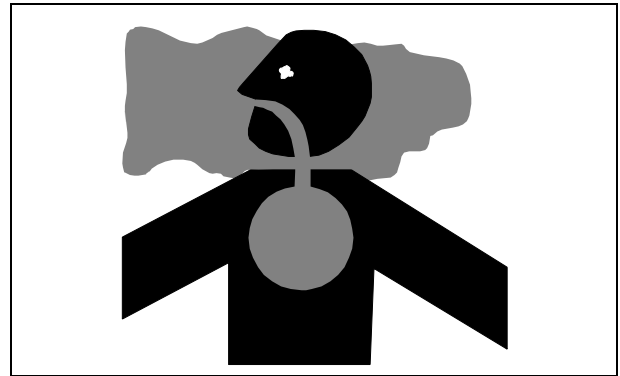
# OPERATING

## Testing Safety Systems

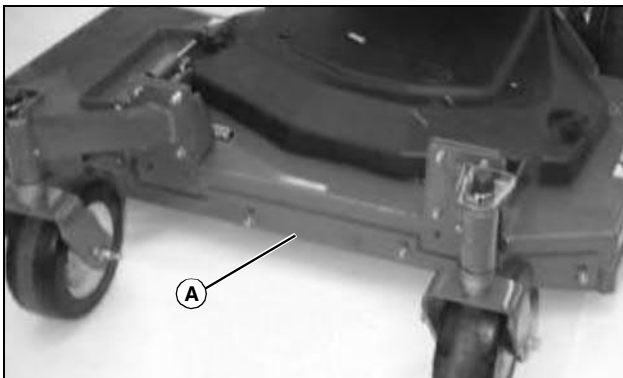


M86348

- Install new right caster wheel support (B) on the left caster wheel mount (C).
- Transfer the caster wheel assembly from the original left support to the new right support.



## Adjusting Mower Deck Front Bracket



M85253

**Picture Note: Bracket shown in upper position.**

The mower deck front bracket (A) is designed to comply with Domestic (United States) and CE (European) safety standards. This bracket is essentially an extension of the front of the mower deck weldment.

In most cases this bracket should not be changed.

### Bracket in lower position:

- This position is for CE (European) safety standards.

### Bracket in upper position:

- This position is for Domestic (United States) safety standards. This standard allows the front deck skirt to be higher with respect to the blade height. This position offers improved cutting performance in tall grass. Grass entering the deck is bent over less, prior to blade entry.



**CAUTION: Avoid injury! Engine exhaust fumes contain carbon monoxide and can cause serious illness or death.**

**Move the machine to an outside area before running the engine.**

**Do not run an engine in an enclosed area without adequate ventilation.**

- **Connect a pipe extension to the engine exhaust pipe to direct the exhaust fumes out of the area.**

- **Allow fresh outside air into the work area to clear the exhaust fumes out.**

The safety systems installed on your machine should be checked before each machine use. Be sure you have read the machine operator manual and are completely familiar with the operation of the machine before performing these safety system checks.

Use the following checkout procedures to check for normal operation of machine.

If there is a malfunction during one of these procedures, do not operate machine. **See your authorized dealer for service.**

Perform these tests in a clear open area. Keep bystanders away.

## Testing PTO Switch

1. Start engine.
2. Release operator presence levers.
3. Pull PTO switch knob up to engage PTO.

**Result:** The engine must stop.



**Suggest:**

**If the above button click is invalid.**

**Please download this document**

**first, and then click the above link**

**to download the complete manual.**

**Thank you so much for reading**

# OPERATING

## Testing Neutral Switch (Start)

1. Lock park brake by engaging thumb locks.
2. Push PTO switch knob down to disengage.
3. Set gear selector in any gear except Neutral "N".
4. Pull starter handle to try and start engine.

**Result:** The engine must not start.

## Testing Neutral Switch (Run)

1. Lock park brake by engaging thumb locks.
2. Start engine.
3. Push PTO switch knob down to disengage.
4. Release operator presence levers.
5. Set gear selector in any gear except Neutral "N".

**Result:** The engine must stop.

## Testing Operator Presence Switches

1. Start engine.
2. Push throttle to the 1/2 position.
3. Engage an operator presence lever.
4. Pull PTO switch knob up to engage PTO.
5. Release operator presence lever.

**Result:** The engine must stop when an operator presence lever is not engaged with the PTO engaged.

## Testing Park Brake

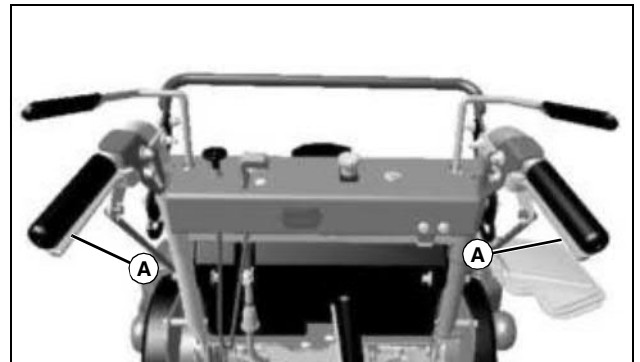
1. Inflate tires to correct pressures.
2. Stop machine on a 17° slope (30% grade). Stop engine and lock park brake by engaging thumb locks.

**Result:** Park brake must hold the machine stationary. Machine should move no more than 61 cm (24 in.) in one hour. If machine moves more than that, brake needs to be adjusted. (See Adjusting Park Brake).

## Locking Park Brake

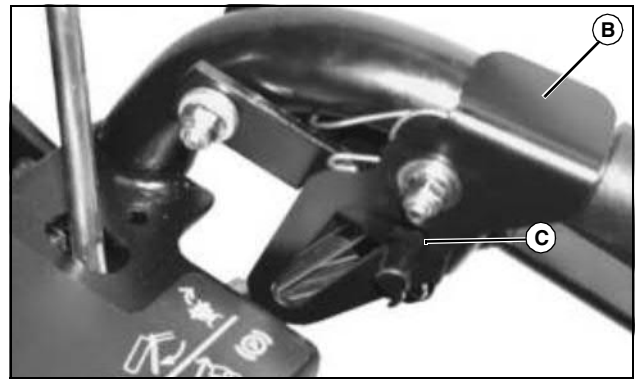
The brake locks are designed to operate as a park brake. When the steering control levers are locked in the engaged position, the drive wheels are disconnected from the transmission and the left and right steering control levers are engaged. The left and right sides work independently

from each other.



MX21166

1. Pull up steering control levers (A) to stop forward movement.



MX21175

2. Push brake locks (B) down with thumbs.
3. Release steering control levers while holding brake locks with thumbs. Brake will remain in detent position (C).

To release brake locks, pull up on steering control levers and locks will automatically release.

**<https://www.ebooklibonline.com>**

Hello dear friend!

Thank you very much for reading.

Enter the link into your browser.

The full manual is available for immediate download.

**<https://www.ebooklibonline.com>**