

JOHN DEERE
WORLDWIDE CONSTRUCTION
AND FORESTRY DIVISION

Angle and Pick Up Brooms
BA72, BA84
BP72, BP84
OMKV18659 J1
OPERATOR'S MANUAL



JOHN DEERE

North American Version
Litho in U.S.A.

INTRODUCTION

Thank You for Purchasing a John Deere Product

We appreciate having you as a customer and wish you many years of safe and satisfied use of your machine.

Using Your Operator's Manual

This manual is an important part of your machine and should remain with the machine at all times.

Reading your operator's manual will help you and others avoid personal injury or damage to the machine. Information given in this manual will provide the operator with the safest and most effective use of the machine. Knowing how to operate this machine safely and correctly will allow you to train others who may operate this machine.

This manual and safety signs on your machine may also be available in other languages (see your Authorized John Deere Skid Steer Dealer to order).

Sections in your operator's manual are placed in a specific order to help you understand all the safety messages and learn the controls so you can operate this machine safely. You can also use this manual to answer any specific operating or servicing questions. A convenient index located at the end of this book will help you to find needed information quickly.

The machine shown in this manual may differ slightly from your machine, but will be similar enough to help you understand our instructions.

RIGHT-HAND and LEFT-HAND sides are determined by facing in the direction the machine will travel when going forward. When you see a broken line arrow (----->), the item referred to is hidden from view.

Before delivering this machine, your dealer performed a predelivery inspection to ensure best performance.

Special Messages

Your manual contains special messages to bring attention to potential safety concerns, machine damage as well as helpful operating and servicing information. Please read all the information carefully to avoid injury and machine damage.

IMPORTANT: Avoid damage! This text is used to tell the operator of actions or conditions that might result in damage to the machine.

NOTE: Information is given throughout the manual that may help the operator with the operation or service of the machine.



CAUTION: Avoid injury! This symbol and text highlight potential hazards or death to the operator or bystanders that may occur if the hazards or procedures are ignored.

PRODUCT IDENTIFICATION

Record Identification Numbers

Brooms for Skid Steers

BA72 Serial No. (KVBA72X400101 -)

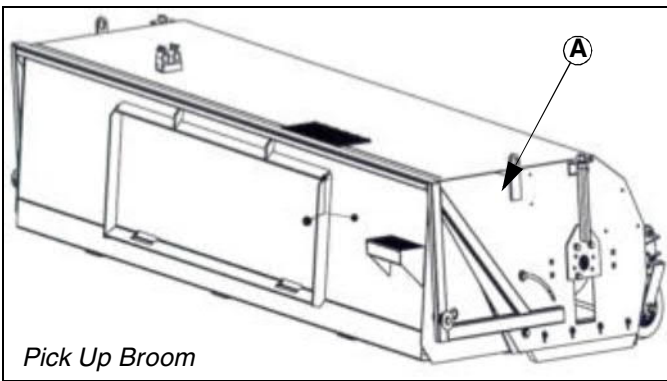
BA84 Serial No. (KVBA84X400101 -)

BP72 Serial No. (KVBP72X400101 -)

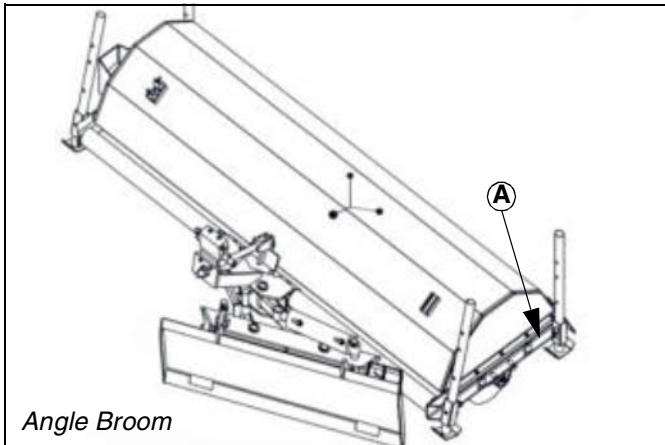
BP84 Serial No. (KVBP84X400101 -)

If you need to contact an Authorized Service Center for information on servicing, always provide the product model and identification numbers.

You will need to locate the identification numbers for the product. Record the information in the spaces provided below.



KV1213



KV1215

DATE OF PURCHASE:

DEALER NAME:

DEALER PHONE:

SERIAL NUMBER (A):

<https://www.ebooklibonline.com>

Hello dear friend!

Thank you very much for reading.

Enter the link into your browser.

The full manual is available for immediate download.

<https://www.ebooklibonline.com>

TABLE OF CONTENTS

Safety	1
Preparing Vehicle	6
Installing Angle Broom.....	7
Installing Pick Up Broom	10
Removing	13
Operating	15
Replacement Parts	20
Service Intervals	21
Service	22
Troubleshooting	26
Storage	27
Assembly	28
Specifications	29
Warranty	30
Index.....	31

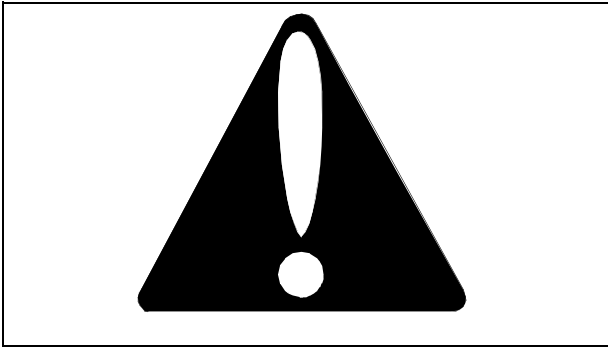
All information, illustrations and specifications in this manual are based on the latest information at the time of publication. The right is reserved to make changes at any time without notice.

COPYRIGHT© 2001
DEERE & COMPANY
Moline, Illinois
All rights reserved
Previous Editions
COPYRIGHT©

OMKV18659 J1 - English

SAFETY

Understanding The Machine Safety Labels



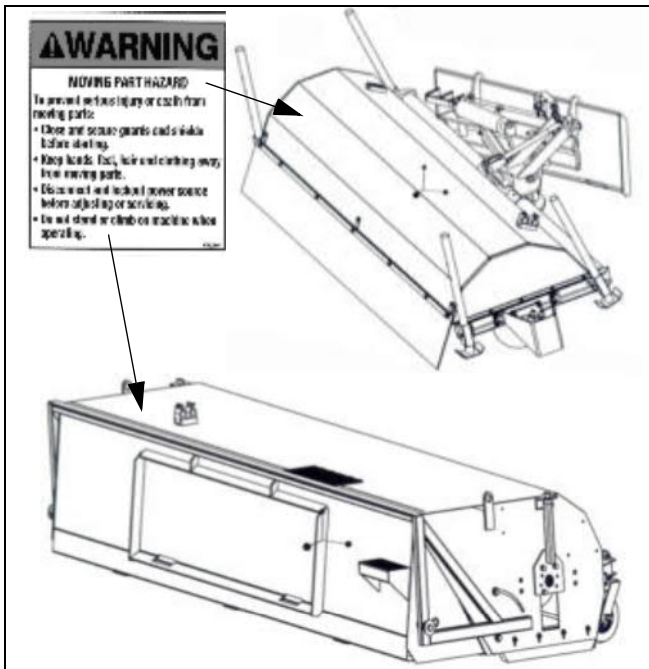
Safety-Alert Symbol

The machine safety labels shown in this section are placed in important areas on your machine to draw attention to potential safety hazards.

On your machine safety labels, the words DANGER, WARNING, and CAUTION are used with this safety-alert symbol. DANGER identifies the most serious hazards.

The operator's manual also explains any potential safety hazards whenever necessary in special safety messages that are identified with the word, CAUTION, and the safety-alert symbol.

WARNING - Moving Part Hazard



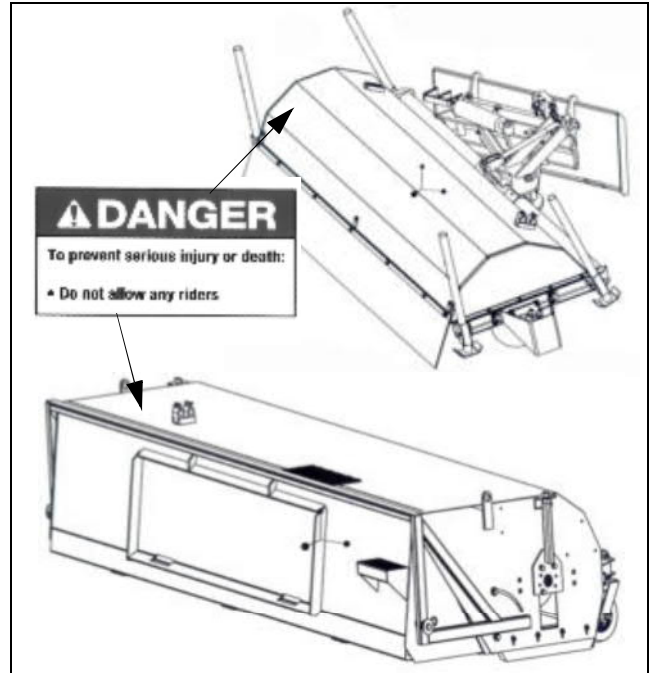
KV1202/ KV1213/ KV1214

To prevent serious injury or death from moving parts:

- Close and secure guards and shields before starting.

- Keep hands, feet, hair and clothing away from moving parts.
- Disconnect and lockout power source before adjusting or servicing.
- Do not stand or climb on machine when operating.

DANGER



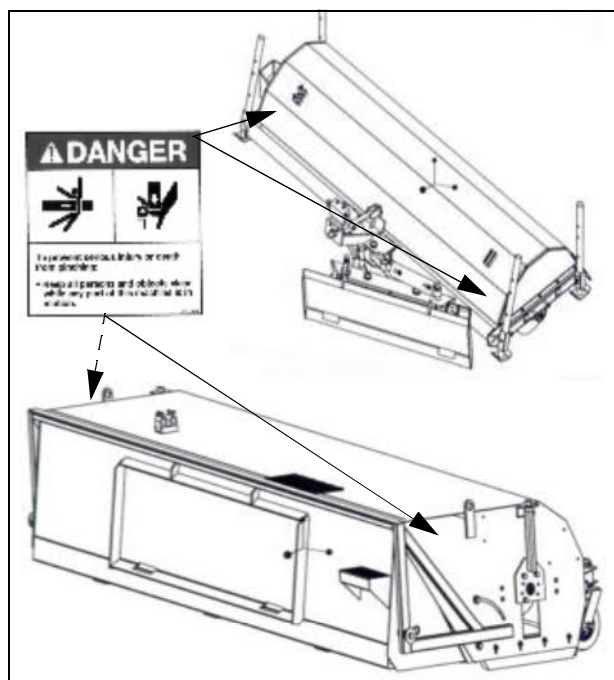
KV1201/ KV1213/ KV1214

To prevent serious injury or death:

- Do not allow any riders.

SAFETY

DANGER - Pinching

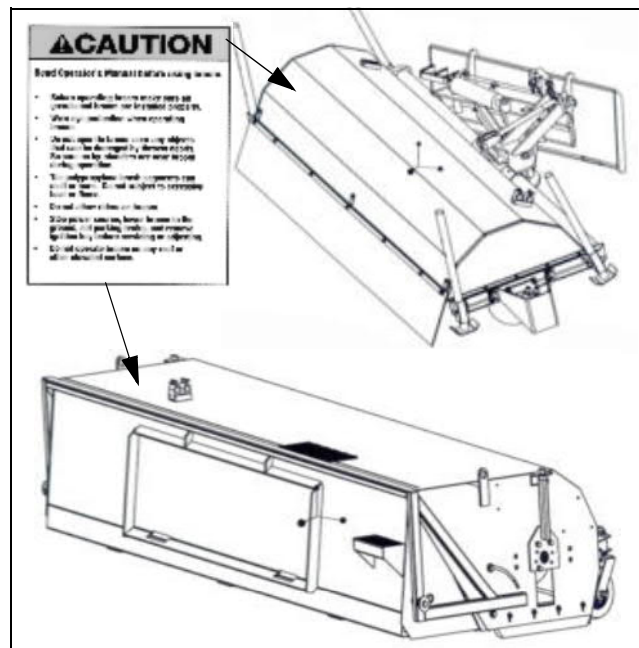


KV1203/ KV1213/ KV1215

To prevent serious injury or death from pinching:

- Keep all persons and objects clear while any part of this machine is in motion.

CAUTION - Read Operator's Manual



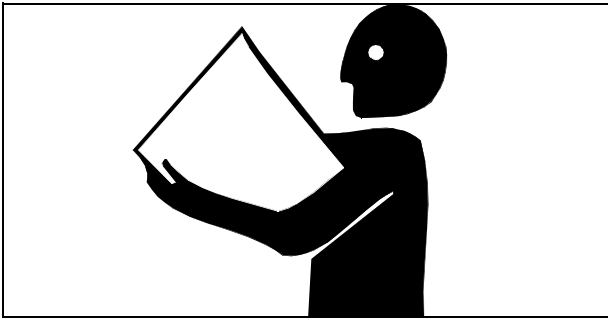
KV1200/ KV1213/ KV1214

Read Operator's Manual before using broom.

- Before operating broom, make sure all guards and broom are installed properly.
- Wear eye protection when operating broom.
- Do not operate broom near any objects that can be damaged by thrown debris. Be sure no by-standers are near broom during operation.
- The polypropylene brush segments can melt or burn. Do not subject to excessive heat or flame.
- Do not allow riders on broom.
- Stop power source, lower broom to the ground, set parking brake, and remove ignition key before servicing or adjusting.
- Do not operate broom on any roof or other elevated surface.

SAFETY

Operator Training Required



MIF

- Study the Skid Steer's Operator Manual. Know the location and function of all controls. Know how to operate the skid steer before using this attachment.
- Study operating section of this manual before operating a broom attachment. Know location and function of all controls.
- Operate machine in an open, unobstructed area under the direction of an experienced operator.
- Operator experience is required to learn the moving, stopping, turning, and other operating characteristics of the machine.
- Learn the use of all controls.

Operate Safely

- Inspect the machine and attachment before you operate. Be sure all hardware is tight. Repair or replace damaged, badly worn, or missing parts. Be sure guards and shields are in good condition and fastened in place. Make any necessary adjustments before you operate.
- Clear work area of objects that might be thrown. Keep people and pets out of the work area. Stop machine if anyone enters the area.
- Do not operate broom unless it is properly installed on the skid steer.
- If you hit an object, stop the machine and inspect machine for damage. Make repairs before you operate again. Keep machine properly maintained and in good working order.
- Do not leave machine unattended while it is running.
- Operate only during daylight or with adequate artificial light.
- Watch for overhead wires. Never touch wires with any part of the skid steer boom or attachment.
- Do not let anyone ride on the skid steer.
- Do not let children or an untrained person operate machine.
- Always check to the sides and rear of the skid steer

before backing up.

- Never direct the discharge at bystanders or allow anyone to stand in front of the broom.
- Never operate the broom near glass enclosures, automobiles, window wells, or drop-offs without first adjusting the angle and direction of the discharge.
- Exercise extreme caution when operating on or near gravel drives, walks, or roads. Stay alert for hidden hazards or traffic.

Park Safely

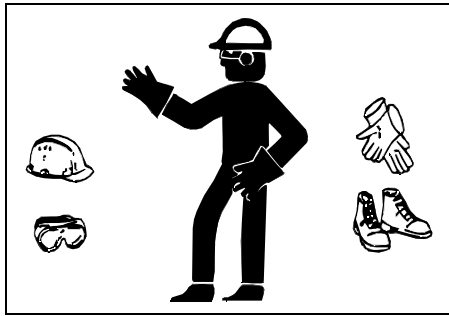
1. Stop machine on a level surface, not on a slope.
2. Lower boom so attachment is on the ground. (If you must leave boom raised, be sure any attachment is removed and the boom locks are in the locked [Engaged] position, and boom is resting on locks.)
3. Engage park brake switch.
4. Stop engine.
5. Remove key.
6. **BP72 and BP84 ONLY** - Remove right broom hood chain from skid steer boom handle before entering/exiting.
7. Before you leave the operator's seat, wait for engine and all moving parts to stop.
8. Enter /exit from the right side of the attachment only.

Avoid Tipping

- Do not drive where machine could slip or tip.
- Stay alert for holes and other hidden hazards in the terrain. Avoid rocks, roots and ditches.
- Slow down before you make a sharp turn or operate on a slope.
- Drive up and down a hill - not across. Be careful when you change direction on a slope.
- If skid steer begins tipping forward with boom raised, immediately lower boom to regain stability.

SAFETY

Wear Appropriate Clothing



MIF

- Wear close fitting clothing and safety equipment appropriate for the job.
- Always wear safety goggles or safety glasses with side shields when operating the machine.
- Wear a suitable protective device such as earplugs. Loud noise can cause impairment or loss of hearing.
- Do not wear radio or music headphones. Safe service and operation requires your full attention.

Stay Clear of Rotating Devices

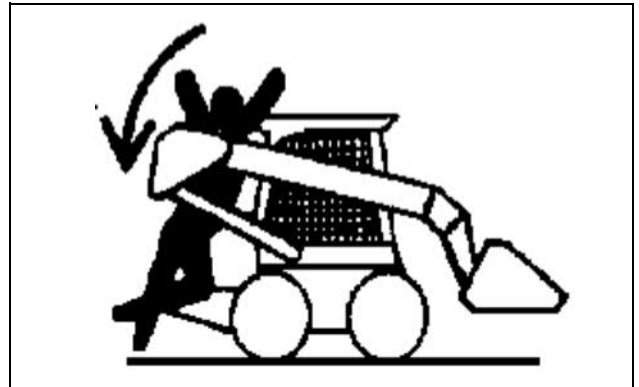


MIF

Entanglement in rotating devices can cause serious injury or death.

- Stop the engine and be sure attachment is stopped before exiting the skid steer and before allowing people near the attachment.

Practice Safe Maintenance



M71840A

- Do not work under a raised boom unless it is resting on boom locks and attachment has been removed. When lowered, boom arms will move near engine hood and frame; never stand or lean on skid steer where linkage can crush you.



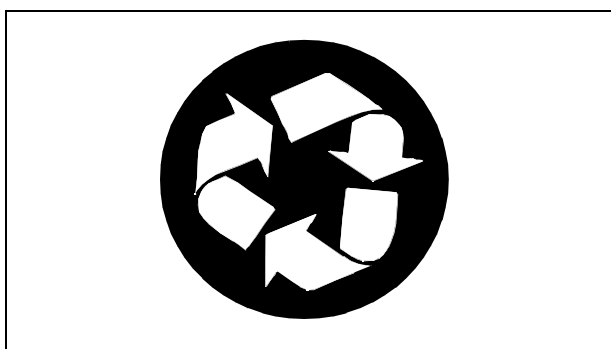
MIF

- Understand service procedure before doing work. Keep area clean and dry.
- Never lubricate, service, or adjust machine while it is moving. Keep safety devices in place and in working condition. Keep hardware tight.
- Keep hands, feet, clothing, jewelry, and long hair away from any moving parts, to prevent them from getting caught.
- Lower attachment to the ground before servicing machine. Disengage all power and stop the engine. Lock park brake and remove the key. Let machine cool.
- Before servicing the machine, carefully release pressure from any components with stored energy, such as hydraulic components.
- Keep all nuts and bolts tightened.
- Securely support any machine elements that must be raised for service work.
- Never run engine unless park brake is locked.

SAFETY

- Keep all parts in good condition and properly installed. Fix damage immediately. Replace worn or broken parts. Replace all worn or damaged safety and instruction decals.
- To prevent fires, remove any buildup of grease, oil, or debris from the machine, especially the engine compartment.
- Do not modify machine or safety devices. Unauthorized modifications may impair its function and safety.
- Do not wear radio or music headphones while servicing the machine. Safe service requires your full attention.

Handling Waste Product and Chemicals



MIF

- Waste products such as, used oil, fuel, coolant, brake fluid, and batteries can harm the environment and people.
- DO NOT use beverage containers for waste fluids - someone may drink from them.
- See your local Recycling Center or John Deere dealer to learn how to properly recycle and get rid of waste products.
- A Material Safety Data Sheet (MSDS) provides specific details on chemical products: physical and health hazards, safety procedures, and emergency response techniques. The seller of the chemical products used with your machine is responsible for providing the MSDS for that product.

Avoid High Pressure Fluids



MIF

- Hydraulic hoses and lines can fail due to physical damage, kinks, age, and exposure. Check hoses and lines regularly. Replace damaged hoses and lines.
- Hydraulic fluid connections can loosen due to physical damage and vibration. Check connections regularly. Tighten loose connections.
- Escaping fluid under pressure can penetrate the skin causing serious injury. Avoid the hazard by relieving pressure before disconnecting hydraulic or other lines. Tighten all connections before applying pressure.
- Search for leaks with a piece of cardboard. Protect hands and body from high pressure fluids.
- If an accident occurs, see a doctor immediately. Any fluid injected into the skin must be surgically removed within a few hours or gangrene may result. Doctors unfamiliar with this type of injury should reference a knowledgeable medical source. Such information is available from Deere & Company Medical Department in Moline, Illinois, U.S.A. Information may be obtained in the United States and Canada only by calling 1-800-822-8262.

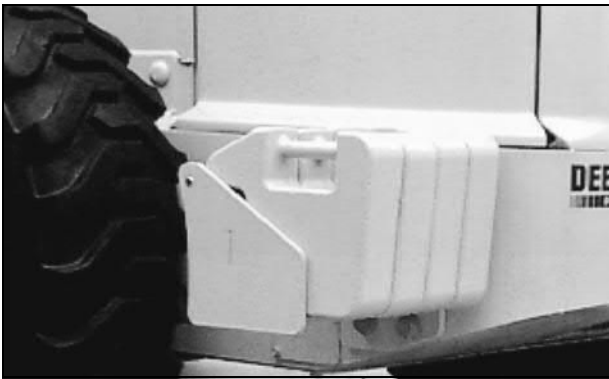
PREPARING VEHICLE

Skid Steer Equipment Requirements



CAUTION: Avoid injury! When the attachment is removed, you must also remove any ballast that was added to the machine.

Ballasting



KV0231

Rear ballast is not required to operate the broom, but may enhance vehicle stability. Ballasting kits are available at your authorized John Deere Skid Steer dealer.

12-Volt Power Supply Kit —(BA72 and BA84 Only)

The optional 12-Volt Power Supply Kit is not required for the rotation of the broom. The optional 12-Volt Power Supply Kit is required to angle the broom to the left and right.

INSTALLING ANGLE BROOM

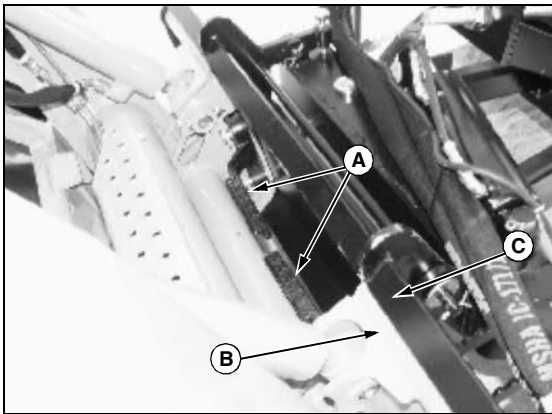
Installing Angle Broom



CAUTION: Avoid injury!

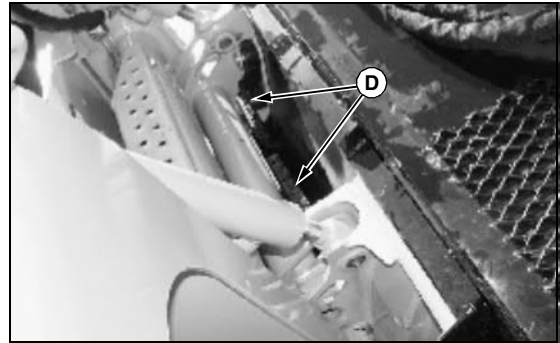
- Do not try to manually latch or unlatch handles from the cab.
- Be careful not to pinch hands between latch handle and step or latch handle and attachment.

1. Park machine safely. (See Parking Safely in the SAFETY section.)



KV1257

2. Lift both latch handles (A) up to the unlatched position. Be sure the latch handles are all the way up so the lock pins are fully retracted.
3. Enter skid steer, fasten seat belt, start the engine, and disengage park brake switch.
4. Tilt the Quik-Tatch™ mounting plates (B) forward.
5. Drive forward, raise boom, and guide the top of the mounting plates into the broom mounting brackets (C).
6. Raise and tilt back the mounting plates. The back of the attachment should rest against the front of the mounting plate.
7. When the attachment is fully supported, lower the boom until the boom is resting on the boom stops.
8. Tilt the attachment out, stopping with the bottom edge of attachment about 50 mm (2 in.) from the ground.
9. Engage park brake switch, stop engine, remove seat belt, and exit skid steer.



KV1258

10. Push both latch handles (D) downward completely to lock the attachment to the Quik-Tatch mounting plates.

11. Enter skid steer, fasten seat belt, start engine, and disengage park brake switch.



CAUTION: Avoid injury! Injury to a bystander can occur if the attachment is not properly secured to the Quik-Tatch.

An operator must continuously be aware of all bystanders at the worksite.

12. Activate the lift cylinders to raise attachment and extend Quik-Tatch cylinders to tilt attachment at a slight downward angle so that the bottom of the Quik-Tatch is visible.



CAUTION: Avoid injury! Be sure pins and latch handles are secure before operating boom and Quik-Tatch cylinder controls. If attachment is not securely latched, remove it and repeat the installation.

13. Visually inspect the attachment mechanism to verify that pins are fully engaged in slots on the back of the attachment.

14. Park machine safely. (See Parking Safely in the SAFETY section.)

15. Remove seat belt and exit skid steer.



Suggest:

If the above button click is invalid.

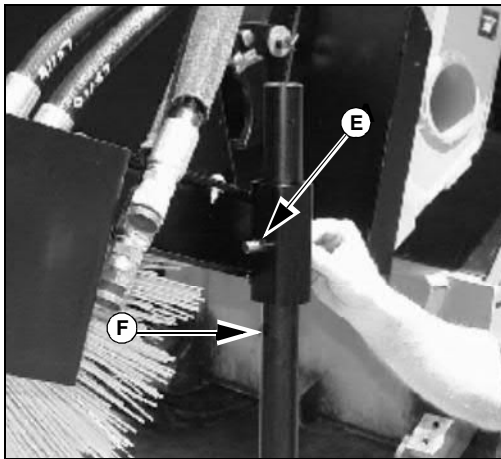
Please download this document

first, and then click the above link

to download the complete manual.

Thank you so much for reading

INSTALLING ANGLE BROOM



KV1185

16. Remove clips and pins (E).
17. Raise storage stands (F).
18. Insert pins (E) in top hole of each storage stand and secure with clips.
19. Connect hydraulic lines.

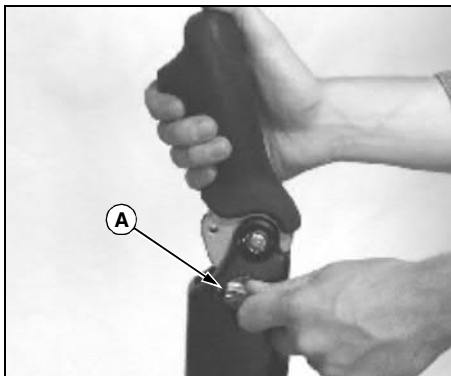
Attaching Angle Broom Auxiliary Hydraulic Lines



CAUTION: Avoid injury! Relieve hydraulic pressure before connecting or disconnecting auxiliary hydraulic lines.

Relieving Auxiliary Hydraulic Line Pressure

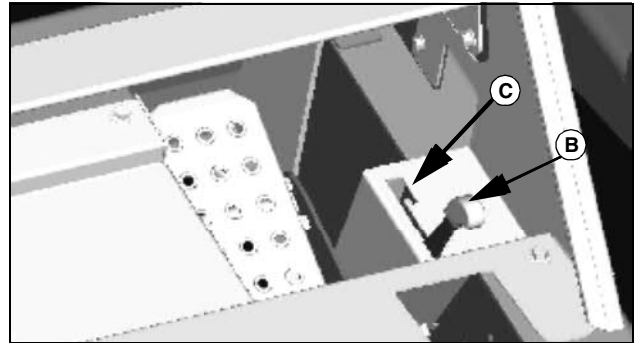
1. Sit in operator's seat. Fasten seat belt.
2. Turn key switch to the run position. Do not start engine.
3. Unlock controls from neutral position:



KV15239

- For hand/foot control skid steers, turn key (A) to the

right.



KV0415

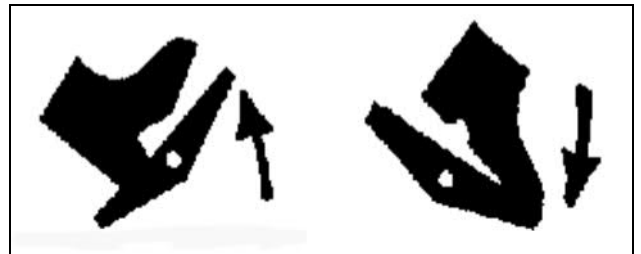
- For hand control skid steers, push the auxiliary foot pedal lockout handle (B) forward and rest in notch (C).

4. Actuate auxiliary control several times:



KV16895

- For hand/foot control skid steers, cycle the right handle to the left and right.



KV1116

- For hand control skid steers, cycle the right foot pedal to the front and rear.

<https://www.ebooklibonline.com>

Hello dear friend!

Thank you very much for reading.

Enter the link into your browser.

The full manual is available for immediate download.

<https://www.ebooklibonline.com>