

8875
Skid-Steer
Loader

(Serial No. 010001 –)

OPERATOR'S
MANUAL

John Deere
Lawn & Grounds Care Division
OMM123273 C5

Export Version
Litho in U.S.A
English

INTRODUCTION

READ THIS MANUAL carefully to learn how to operate and service your machine correctly. Failure to do so could result in personal injury or equipment damage. This manual and safety signs on your machine may also be available in other languages (see your John Deere dealer to order).

THIS MANUAL SHOULD BE CONSIDERED a permanent part of your machine and should remain with the machine when you sell it.

MEASUREMENTS in this manual are given in both metric and customary U.S. unit equivalents. Use only correct replacement parts and fasteners. Metric and inch fasteners may require a specific metric or inch wrench.

RIGHT-HAND AND LEFT-HAND sides are determined by facing the direction of forward travel.

BEFORE DELIVERING THIS MACHINE, your dealer performed a predelivery inspection to ensure best performance.

THIS SKID STEER LOADER IS DESIGNED SOLELY for use in customary agricultural and forestry operations, for park and amenity area maintenance, and for winter work or similar operation (“INTENDED USE”). Use in any other way is considered as contrary to the intended use.

The manufacturer accepts no liability for damage or injury resulting from this misuse, and these risks must be borne solely by the user. Compliance with and strict adherence to the conditions of operation, service and repair as specified by the manufacturer also constitute essential elements for the intended use.

INTRODUCTION

THIS SKID STEER LOADER SHOULD BE OPERATED, serviced and repaired only by persons familiar with all its particular characteristics and acquainted with the relevant safety rules (accident prevention). The accident prevention regulations, all other generally recognized regulations on safety and occupational medicine and the road traffic regulations must be observed at all times.

Any arbitrary modifications carried out on this skid steer loader will relieve the manufacturer of all liability for any resulting damage or injury.

Date of Purchase: _____

Dealer Name: _____	Phone: _____
------------------------------	------------------------



<https://www.ebooklibonline.com>

Hello dear friend!

Thank you very much for reading.

Enter the link into your browser.

The full manual is available for immediate download.

<https://www.ebooklibonline.com>

INTRODUCTION

WRITE PRODUCT IDENTIFICATION NUMBERS (P.I.N.) in the space provided below. Accurately record all the numbers to help in tracing the machine should it be stolen. Your dealer also needs these numbers when you order parts. File the identification numbers in a secure place off the machine.

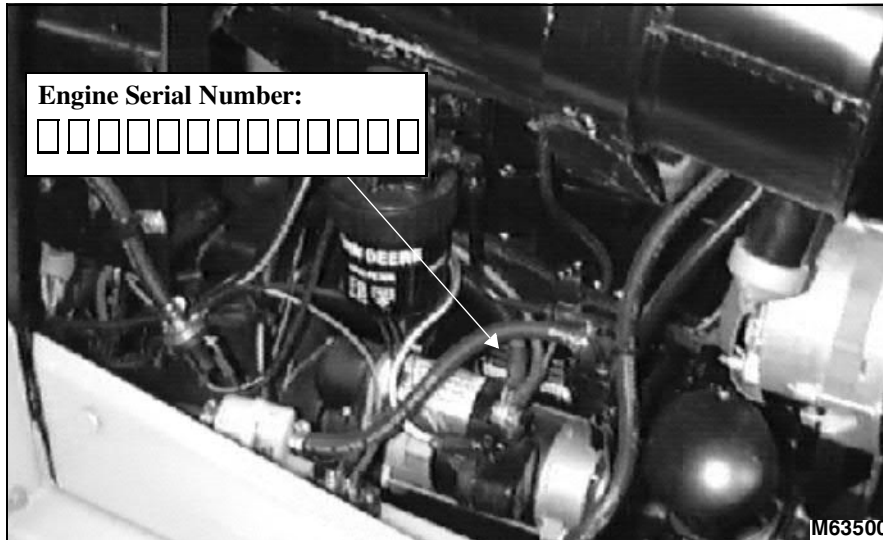
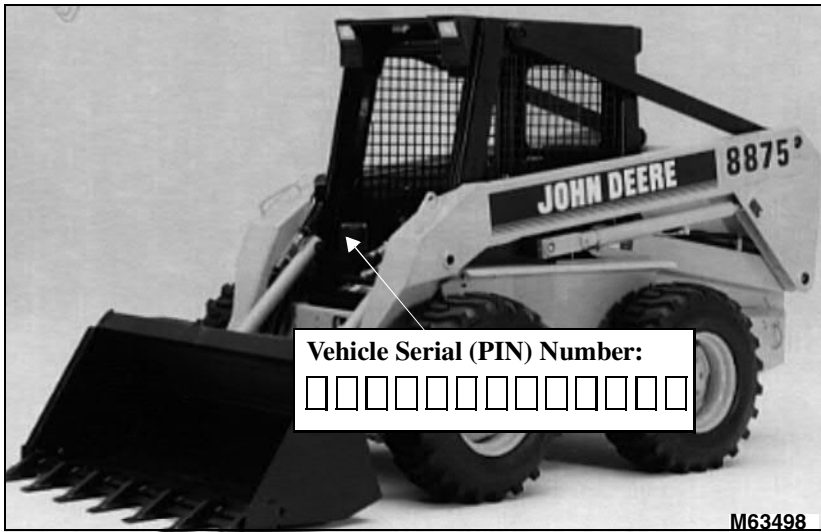


TABLE OF CONTENTS

	Page
Safety Signs	
Safety-Alert Symbol	1
Machine Safety Labels	1
Certification Labels	5
Controls	
Hand Controls.....	6
Foot and Overhead Panel Controls	7
Operating	
SAFETY:	
Operator Training Required	9
Use Seat Belt Properly	9
Use Handholds and Steps	9
Operate Safely.....	10
Protect Children and Prevent Accidents	11
Keep Riders Off	11
Avoid Tipping	12
Park Safely	12
Wear Appropriate Clothing	13
Check Wheel Bolts	13
Transport Safely	13
ADJUSTMENTS:	
Seat	14
DRIVING:	
Entering and Exiting Loader	15
Using the Park Brake.....	16
Using Service/Run Switch	16
Using Electronic Instrument Monitor (EIM)	17
Using Select Switches	23
Using Cold Start Button	26
Starting the Engine	26
Avoid injury from an explosion:.....	28
Stopping the Engine	30
Using Drive Controls.....	31

TABLE OF CONTENTS

	Page
Operating (Continued)	
Using Two Speed Power Shift Switch.....	32
Using Auxiliary Boom Hydraulic Control Lever	33
Using Boom Pedal	34
Using Bucket Pedal.....	35
Using Boom Stops	36
Using Emergency Exit.....	36
Using “Quick-Attach” Attachment Mounting System	37
Operating Tips.....	39
Filling the Bucket.....	39
Digging	40
Dumping the Bucket.....	41
Returning the Bucket to the Loading Position	41
Bulldozing with the Bucket	42
Dislodging the Machine.....	42
Transporting Loaded Bucket	43
Job Layout.....	43
Daily Operating Checklist.....	44
Testing Safety Systems	44
Craning the Skid Steer Loader.....	47
Replacement Parts	
John Deere service parts	48
Service Safely	
Practice Safe Maintenance	49
Wear Appropriate Clothing.....	50
Handling Waste Product and Chemicals.....	50
Avoid High Pressure Fluids.....	51
Cab Tilting Tool Kit.....	51
Service Interval Chart	
Hourly Interval.....	52

TABLE OF CONTENTS

	Page
Service - Lubrication	
Grease	56
Lubricating Axles	57
Lubricate Boom and Cylinders.....	57
Lubricate Mounting Plate Latches and Cylinders	58
Lubricate Control Linkage Fittings	58
Service - Engine	
Avoid Fumes.....	59
Engine Oil	59
Gear Box Oil	62
Checking Engine Gearbox Oil Level.....	62
Cleaning Radiator and Oil Cooler Fins	63
Replacing Primary Air Cleaner Element	64
Replacing Secondary Air Cleaner Element	65
Service Cooling System Safely.....	66
Engine Coolant	66
Checking Coolant Level.....	67
Draining Cooling System	68
Flushing Cooling System	69
Checking and Adjusting Fan Belt.....	71
Replacing In-Line Fuel Filter.....	72
Draining Fuel/Water Separator	72
Changing Fuel/Water Separator Filter	73
Priming Fuel System.....	73
Adjusting Throttle Control	74
Service - Transmission	
Transmission and Hydraulic Oil.....	76
Checking Hydraulic Reservoir Oil Level	76
Cleaning Reservoir Cap and Breather.....	77
Changing Hydraulic Oil Filter	78
Changing Hydraulic Oil	78
Adjusting Neutral Creep.....	80

TABLE OF CONTENTS

	Page
Service - Final Drive	
Oil.....	82
Lubricating Final Drive (2).....	82
Adjusting Final Drive Chain.....	82
Final Drive Chain Routing.....	83
Gear Box Oil.....	84
Checking and Lubricating Gear Boxes (2).....	84
Service - Steering, Brakes and Pedals	
Oil.....	85
Lubricate Steering, Foot Control, and Park Brake Linkages ..	85
Adjusting Control Lever Stops.....	86
Adjusting Park Brake.....	87
Adjusting Boom and Bucket Foot Pedals.....	88
Adjusting Auxiliary Boom Hydraulic Control Lever Linkage ...	88
Service - Electrical	
Cleaning or Replacing Battery.....	90
Checking Battery Electrolyte Level.....	92
Charging the Battery.....	93
Charging Rates.....	96
Using Booster Battery.....	97
Adjusting Backup Alarm Switch.....	98
Replacing Fuses.....	99
Replacing EIM Panel Light Bulb.....	100
Replacing Headlight Bulb.....	100
Replacing Taillight Bulb.....	100
Service - Miscellaneous	
Checking Tire Pressure.....	101
John Deere Tire Warranty.....	102
Opening Rear Service Door.....	102
Opening Engine Cover.....	102
Removing Engine Side Panels.....	103
Removing Belly Pan.....	103
Refueling Machine.....	104
Raising and Blocking Loader.....	106

TABLE OF CONTENTS

	Page
Troubleshooting	
Using Troubleshooting Chart	107
Electronic Instrument Monitor (EIM)	107
Hydraulic System	110
Engine.....	112
Electrical	114
Storing Vehicle	
Storing Safety	116
Preparing Engine For Storage	116
Storing the Loader	116
Removing the Vehicle From Storage.....	117
Specifications	
Engine.....	118
Fuel System.....	119
Electrical System	119
Capacities	119
Hydraulic System.....	120
Hydrostatic Transmission	120
Dimensions	121
Tires.....	122
Recommended Lubricants.....	122
Buckets.....	123
Metric Bolt And Cap Screw Torque Values	124
Unified Inch Bolt and Cap Screw Torque Values.....	127
Index	131

All information, illustrations and specifications in this manual are based on the latest information at the time of publication. The right is reserved to make changes at any time without notice.

COPYRIGHT© 1994
John Deere Horicon Works
All rights reserved

NOTES

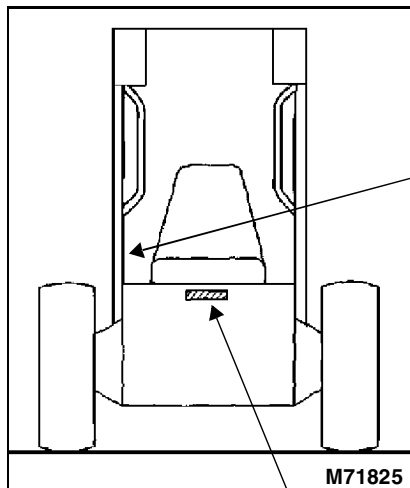
SAFETY SIGNS

Pictorial Safety Signs

At several important places on this machine safety signs are affixed intended to signify potential danger. The hazard is identified by a pictorial in a warning triangle. An adjacent pictorial provides information how to avoid personal injury. These safety signs, their placement on the machine and a brief explanatory text are shown in this Safety Signs section.



Machine Safety Labels



AVOID DEATH

- Lift arm stops must be engaged
- Opening lines for service or part failure can cause lift arms to drop



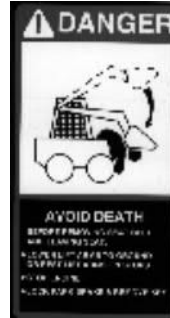
AVOID INJURY

- Read Operator's Manual
- Know location and function of controls
- Keep safety devices working
- Keep screen and windows in place.
- Keep children and others away
- Never carry riders
- Lower lift arms, engage park brake, stop engine and remove key before leaving
- Keep cab clean, especially pedal area

SAFETY SIGNS



- Use a seat belt when you operate with a roll-over protective structure (ROPS) or cab to minimize chance of injury from an accident such as an overturn.
- DO NOT operate loader from anywhere but the operator's seat with seat belt fastened.



AVOID DEATH

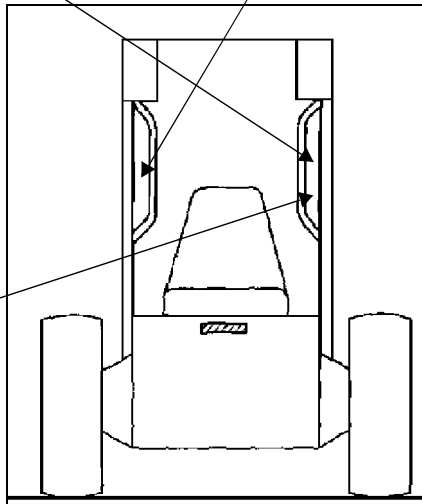
Before removing seat belt and leaving seat:

- Lower lift arms to ground or rest lift arms on stops
- Stop engine
- Lock park brake & remove key



AVOID OVERTURN

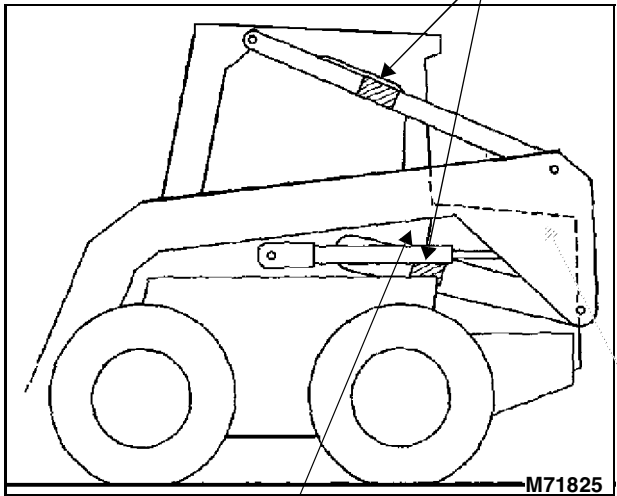
- Carry load low
- Avoid steep slopes and high speed turns
- Never carry more than 2200 lbs. (995 kg)



M71825

SAFETY SIGNS

PINCH AREA
Keep away





Use only proper cab jack kit to tilt cab.


Read cab jack kit use instructions before tilting cab.

Remove cab hardware only after cab jack is installed.

Failure to do so may cause cab to fall causing serious injury or death.



Appears on lower cab post



AVOID AN EXPLOSION

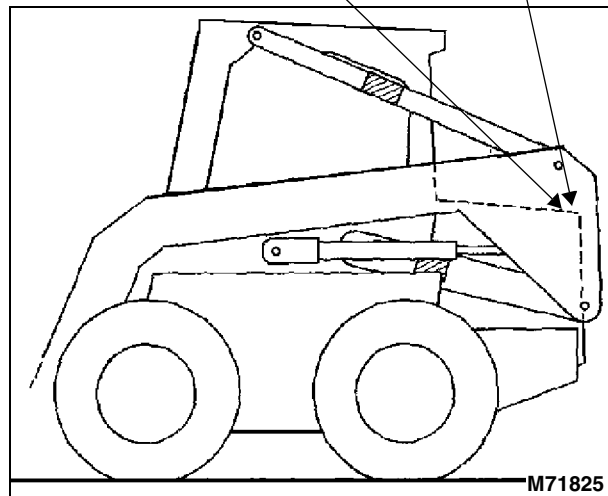
- See operator's manual
- Do not use starting fluid
- Air electric heater may ignite fluid

Appears on air cleaner canister inside engine compartment

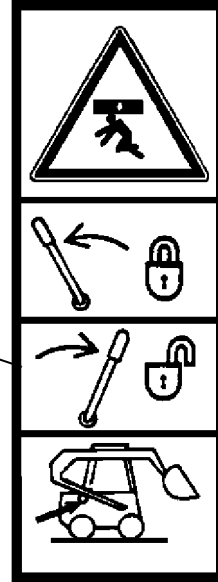
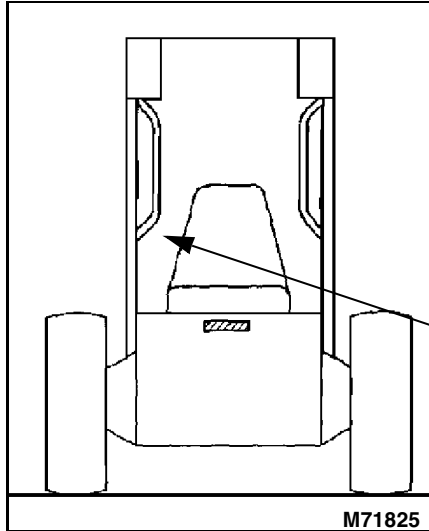
SAFETY SIGNS



- Lift arms move near engine hood and frame
- Never stand or lean anywhere on loader or linkage will crush you



SAFETY SIGNS



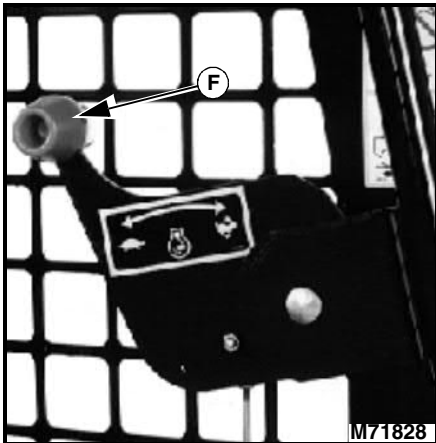
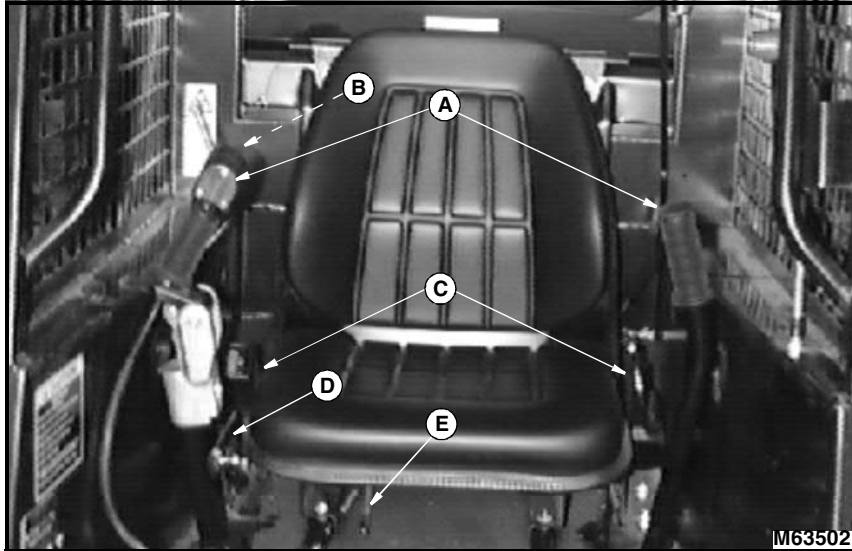
M63527

Boom Stops Lever Safety Sign

- **DO NOT** work under a raised boom unless it is resting on boom stops. Lift arms move near engine hood and frame, never stand or lean on loader where linkage can crush you.

CONTROLS

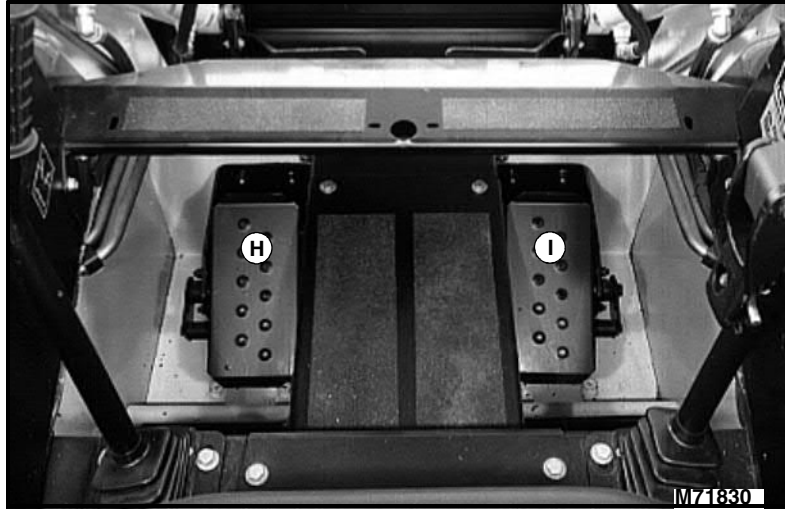
Hand Controls



Key	Description	Function
A	Drive Control Levers	Controls machine travel direction
B	Two Speed Power Shift	Controls high/low travel speed
C	Seat Belt	Buckles around operator
D	Park Brake Lever	Engages park brake
E	Seat Adjustment Lever	Moves seat forward and backward
F	Throttle Lever	Controls engine speed
G	Boom Stops Lever	Locks and unlocks boom stops

CONTROLS

Foot and Overhead Panel Controls



Key	Description	Function
H	Boom Control Pedal	Raises and lowers boom
I	Bucket Control Pedal	Curls and dumps bucket
J	Electronic Instrument Monitor (EIM)	Monitors machine
K	Key	Starts engine



Suggest:

If the above button click is invalid.

Please download this document

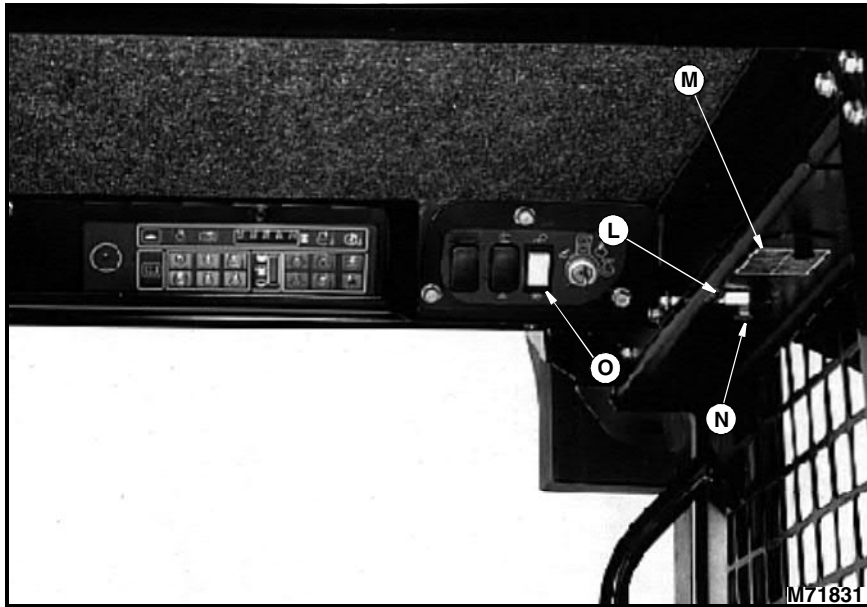
first, and then click the above link

to download the complete manual.

Thank you so much for reading

CONTROLS

Overhead Panel Controls (Continued)



Key	Description	Function
L	Service/Run Switch	Determines operating or service mode
M	Fuse Panel	Remove to change fuses
N	Cold Start Button	Aids in cold weather starting
O	Light Switch	Push top of switch to engage travel lights, and rear white work light. Push bottom of switch to engage just travel lights. Return switch to center position to turn all lights off.

<https://www.ebooklibonline.com>

Hello dear friend!

Thank you very much for reading.

Enter the link into your browser.

The full manual is available for immediate download.

<https://www.ebooklibonline.com>