

**6675 and 7775
Skid Steer
Loaders**
(Serial No. 010001 –)

**OPERATOR'S
MANUAL**

**John Deere
Lawn & Grounds Care Division
OMM122343 B4**

Export Version
Litho in U.S.A
English

INTRODUCTION

READ THIS MANUAL carefully to learn how to operate and service your machine correctly. Failure to do so could result in personal injury or equipment damage. This manual and safety signs on your machine may also be available in other languages (see your John Deere dealer to order).

THIS MANUAL SHOULD BE CONSIDERED a permanent part of your machine and should remain with the machine when you sell it.

MEASUREMENTS in this manual are given in both metric and customary U.S. unit equivalents. Use only correct replacement parts and fasteners. Metric and inch fasteners may require a specific metric or inch wrench.

RIGHT-HAND AND LEFT-HAND sides are determined by facing the direction of forward travel.

BEFORE DELIVERING THIS MACHINE, your dealer performed a predelivery inspection to ensure best performance.

THIS SKID STEER LOADER IS DESIGNED SOLELY for use in customary agricultural and forestry operations, for park and amenity area maintenance, and for winter work or similar operation (“INTENDED USE”). Use in any other way is considered as contrary to the intended use.

The manufacturer accepts no liability for damage or injury resulting from this misuse, and these risks must be borne solely by the user. Compliance with and strict adherence to the conditions of operation, service and repair as specified by the manufacturer also constitute essential elements for the intended use.

INTRODUCTION

THIS SKID STEER LOADER SHOULD BE OPERATED, serviced and repaired only by persons familiar with all its particular characteristics and acquainted with the relevant safety rules (accident prevention). The accident prevention regulations, all other generally recognized regulations on safety and occupational medicine and the road traffic regulations must be observed at all times.

Any arbitrary modifications carried out on this skid steer loader will relieve the manufacturer of all liability for any resulting damage or injury.

Date of Purchase: _____

Dealer Name: _____	Phone: _____
------------------------------	------------------------



<https://www.ebooklibonline.com>

Hello dear friend!

Thank you very much for reading.

Enter the link into your browser.

The full manual is available for immediate download.

<https://www.ebooklibonline.com>

INTRODUCTION

WRITE PRODUCT IDENTIFICATION NUMBERS (P.I.N.) in the space provided below. Accurately record all the numbers to help in tracing the machine should it be stolen. Your dealer also needs these numbers when you order parts. File the identification numbers in a secure place off the machine.

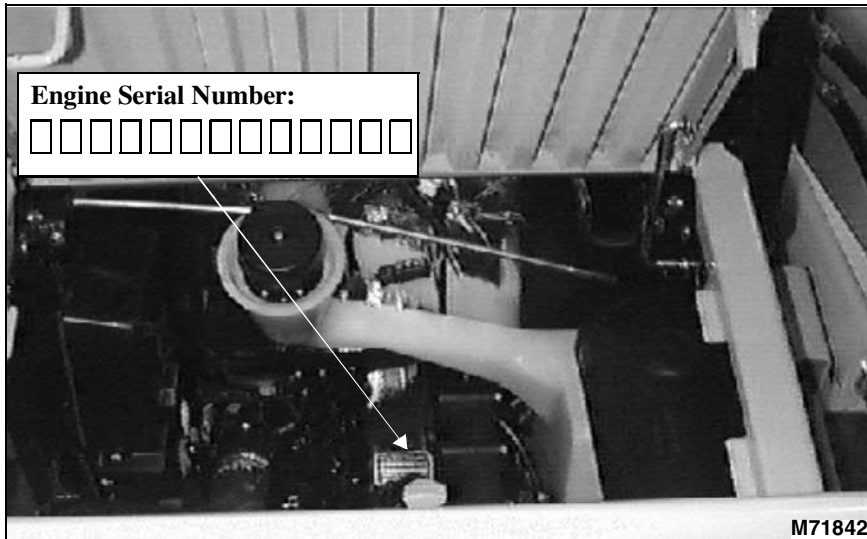
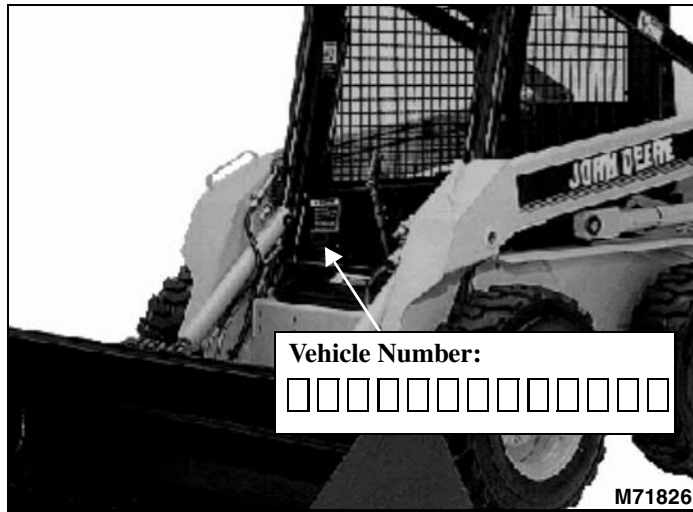


TABLE OF CONTENTS

	Page
Safety	
Pictorial Safety Signs.....	1
Machine Safety Labels	1
Controls	
Hand Controls.....	5
Foot Controls	6
Overhead Panel Controls	6
Operating	
Safety:	
Operator Training Required.....	8
Use Seat Belt Properly	8
Use Handholds and Steps	8
Operate Safely.....	9
Protect Children and Prevent Accidents	10
Keep Riders Off	10
Avoid Tipping	11
Park Safely	11
Wear Appropriate Clothing	12
Check Wheel Bolts	12
Transport Safely	12
Adjustments:	
Seat	13
Driving:	
Entering and Exiting Loader	14
Using Fuel Shut-off Valve	15
Using the Park Brake.....	15
Using Service/Run Switch	15
Using Electronic Instrument Monitor (EIM)	16
Using Select Switches	22
Using Cold Start Button	24
Starting the Engine	25
Stopping the Engine	28

TABLE OF CONTENTS

	Page
Operating (Continued)	
Using Drive Controls	29
Using Auxiliary Boom Hydraulic Control Lever	30
Using Boom Pedal	31
Using Bucket Pedal.....	32
Using Boom Stops	33
Using Emergency Exit.....	33
Using “Quick-Attach” Attachment Mounting System	34
Operating Tips:	
Filling the Bucket.....	36
Digging	37
Dumping the Bucket.....	38
Returning the Bucket to the Loading Position	38
Bulldozing with the Bucket	39
Dislodging the Machine.....	39
Transporting Loaded Bucket	40
Job Layout.....	40
Daily operating checklist	41
Testing safety systems.....	41
Craning the Skid Steer Loader.....	44
Replacement Parts	
John Deere Service Parts	45
Service Machine Safely	
Practice Safe Maintenance	46
Wear Appropriate Clothing.....	47
Handling Waste Product and Chemicals.....	47
Avoid High Pressure Fluids.....	48
Cab Tilting Tool Kit.....	48
Service Interval Chart	
Hourly Service Intervals	50

TABLE OF CONTENTS

	Page
Service - Lubrication	
Grease	54
Lubricating Axles	54
Lubricate Boom and Cylinders.....	55
Lubricate Mounting Plate Latches and Cylinders	55
Service - Engine	
Avoid Fumes.....	56
Engine Oil	56
Cleaning Radiator and Oil Cooler Fins	59
Replacing Primary Air Cleaner Element	60
Replacing Secondary Air Cleaner Element	61
Service Cooling System Safely.....	62
Engine Coolant	62
Checking Coolant Level.....	63
Draining Cooling System	64
Flushing Cooling System	65
Checking and Adjusting Fan Belt.....	67
Replacing In-Line Fuel Filter.....	68
Adjusting Throttle Control	68
Service - Transmission and Hydraulics	
Transmission and Hydraulic Oil.....	70
Checking Hydraulic Reservoir Oil Level	70
Cleaning Reservoir Cap and Breather.....	71
Changing Hydraulic Oil Filter.....	72
Changing Hydraulic Oil	72
Adjusting Neutral Creep.....	74
Service - Final Drive	
Oil	76
Lubricating Final Drive (2).....	76
Adjusting Final Drive Chain	76
Final Drive Chain Routing.....	77
Gear Box Oil	78
Lubricate Gear Boxes (2).....	78

TABLE OF CONTENTS

	Page
Service - Steering, Brakes, and Pedals	
Oil.....	79
Lubricate Steering, Foot Control, and Parking Brake Linkages.....	79
Adjusting Control Levers (Parallel).....	80
Adjusting Control Lever Stops.....	81
Adjusting Park Brake.....	82
Adjusting Boom and Bucket Foot Pedals.....	83
Adjusting Auxiliary Boom Hydraulic Control Lever Linkage ...	83
Service - Electrical	
Cleaning or Replacing Battery	85
Checking Battery Electrolyte Level	87
Charging the Battery	89
Charging Rates	91
Using Booster Battery	92
Replacing Fuses	93
Replacing EIM Panel Light Bulb	94
Replacing Headlight Bulb.....	94
Replacing Taillight Bulb.....	94
Service - Miscellaneous	
Checking Tire Pressure.....	95
Opening Rear Service Door	96
Opening Engine Cover.....	96
Removing Engine Side Panels.....	97
Removing Belly Pan.....	97
Refueling Machine	98
Raising and Blocking Loader	100
Troubleshooting	
Using Troubleshooting Chart	101
Electronic Instrument Monitor (EIM).....	101
Hydraulic System	104
Engine	106
Electrical.....	108

TABLE OF CONTENTS

	Page
Storing Vehicle	
Storing Safety	110
Preparing Engine For Storage	110
Storing the Loader	110
Removing The Vehicle From Storage.....	111
Specifications	
Engine.....	112
Fuel System.....	113
Electrical System	113
Capacities	113
Hydraulic System.....	114
Hydrostatic Transmission	114
Ground Speed	114
Dimensions	115
Tires.....	116
Recommended Lubricants.....	116
Buckets	117
Metric Bolt and Cap Screw Torque Values.....	118
Unified Inch Bolt and Cap Screw Torque Values.....	121

All information, illustrations and specifications in this manual are based on the latest information at the time of publication. The right is reserved to make changes at any time without notice.

COPYRIGHT© 1994
John Deere Horicon Works
All rights reserved

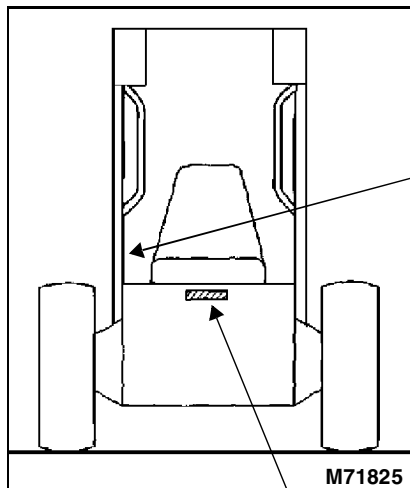
SAFETY SIGNS

Pictorial Safety Signs

At several important places on this machine safety signs are affixed intended to signify potential danger. The hazard is identified by a pictorial in a warning triangle. An adjacent pictorial provides information how to avoid personal injury. These safety signs, their placement on the machine and a brief explanatory text are shown in this Safety Signs section.



Machine Safety Labels



AVOID INJURY

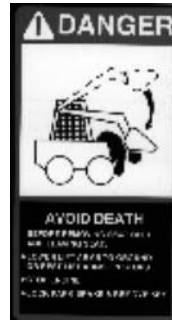
- Read Operator's Manual
- Know location and function of controls
- Keep safety devices working
- Keep screen and windows in place.
- Keep children and others away
- Never carry riders
- Lower lift arms, engage park brake, stop engine and remove key before leaving
- Keep cab clean, especially pedal area

AVOID DEATH

- Lift arm stops must be engaged
- Opening lines for service or part failure can cause lift arms to drop



SAFETY SIGNS



AVOID DEATH

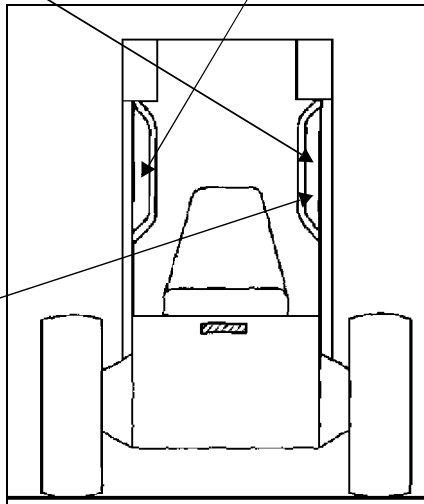
Before removing seat belt and leaving seat:

- Lower lift arms to ground or rest lift arms on stops
- Stop engine
- Lock park brake & remove key



AVOID OVERTURN

- Carry load low
- Avoid steep slopes and high speed turns
- Never carry more than 1500 lbs. (682 kg) for Model 6675, and 1700 lbs. (771 kg) for Model 7775

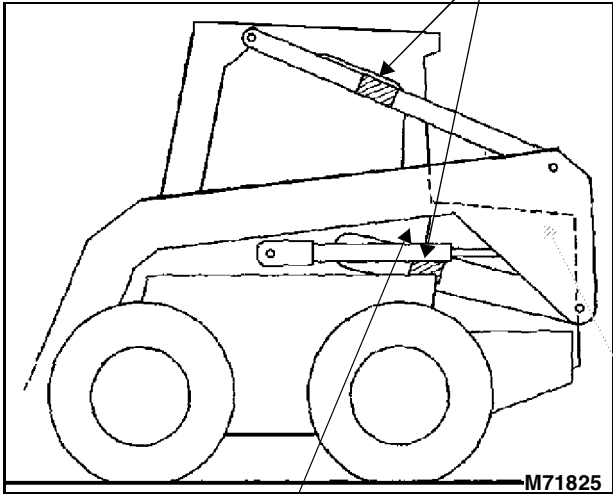


M71825

SAFETY SIGNS

PINCH AREA
Keep away






Use only proper cab jack kit to tilt cab.

Read cab jack kit use instructions before tilting cab.

Remove cab hardware only after cab jack is installed.

Failure to do so may cause cab to fall causing serious injury or death.



Appears on lower cab post

CAUTION

AVOID AN EXPLOSION

- See operator's manual
- Do not use starting fluid
- Air electric heater may ignite fluid

AVOID AN EXPLOSION

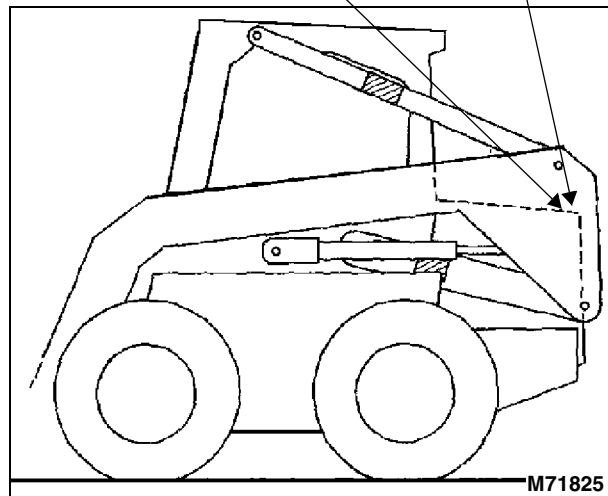
- See operator's manual
- Do not use starting fluid
- Air electric heater may ignite fluid

Appears on air cleaner canister
inside engine compartment

SAFETY SIGNS

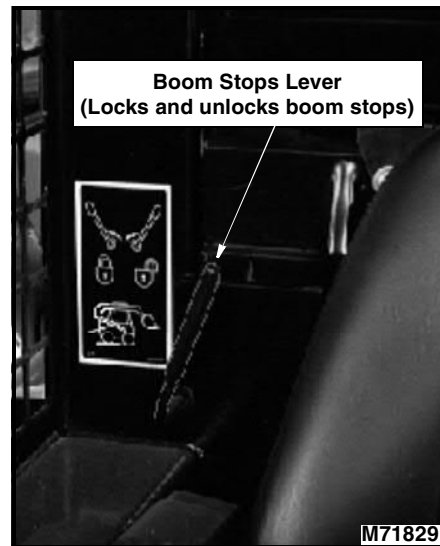
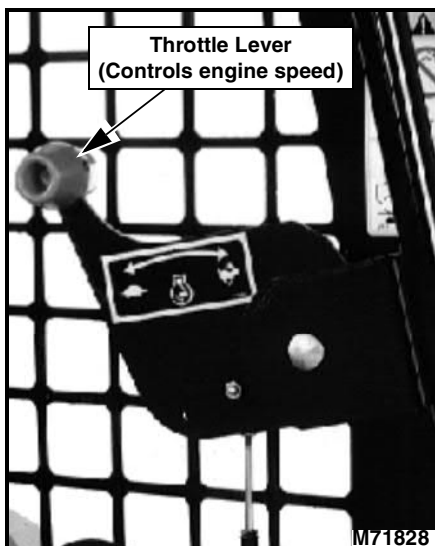
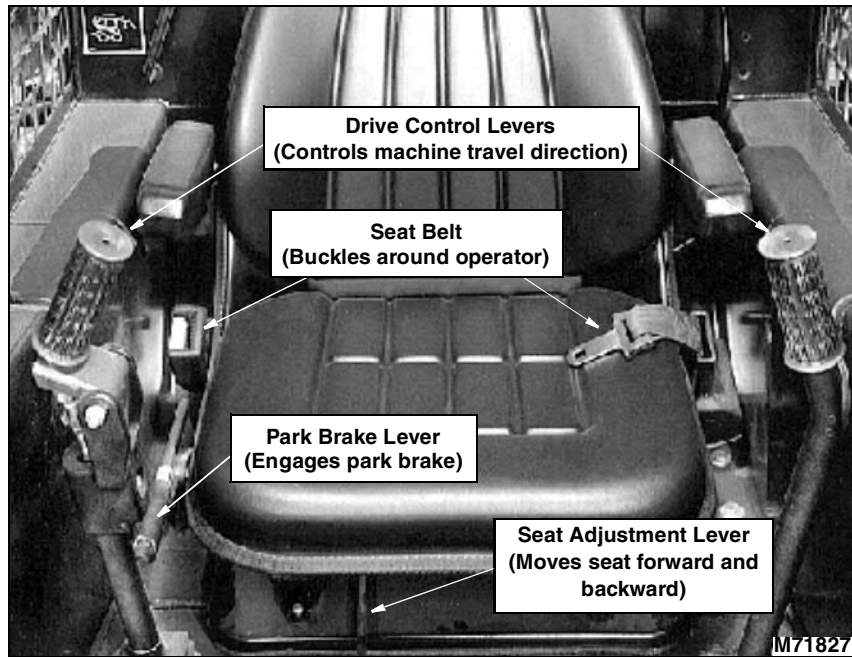


- Lift arms move near engine hood and frame
- Never stand or lean anywhere on loader or linkage will crush you



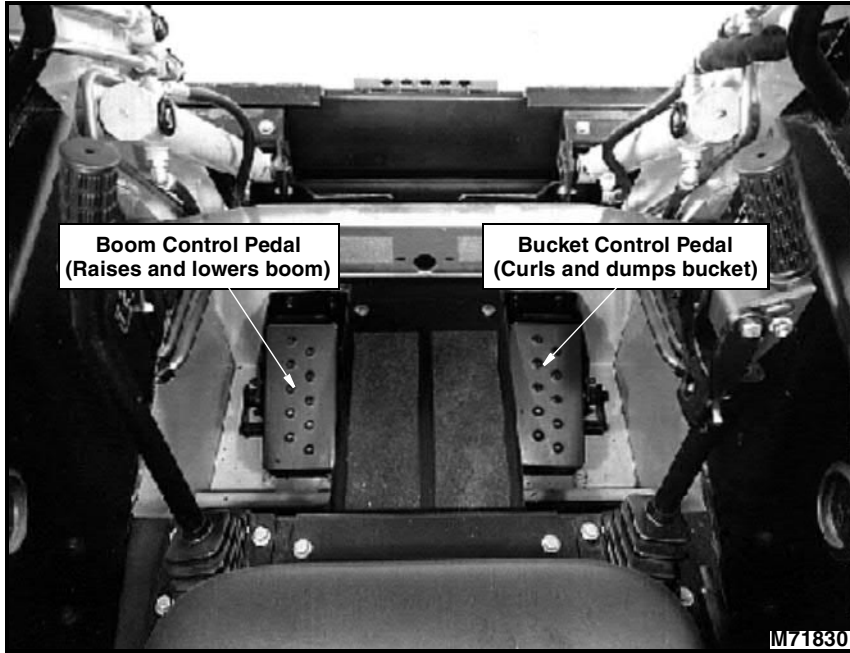
CONTROLS

Hand Controls

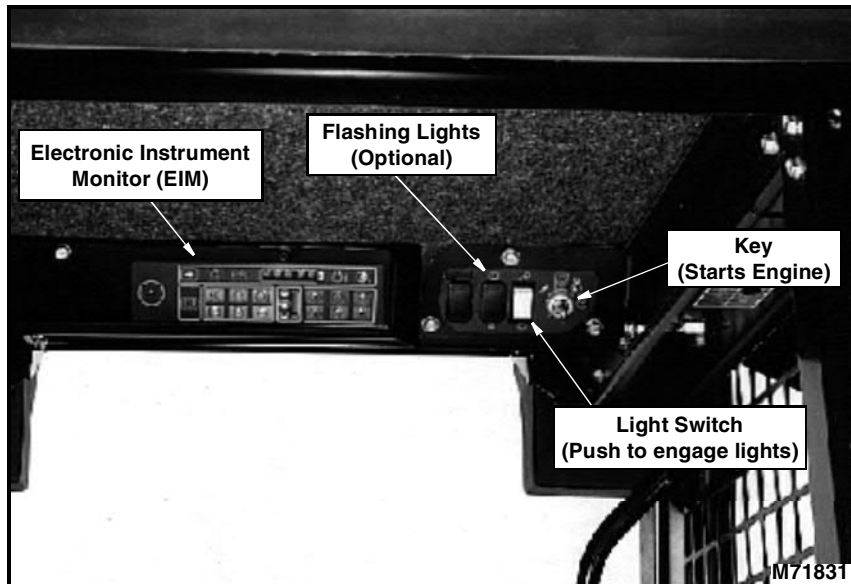


CONTROLS

Foot Controls



Overhead Panel Controls





Suggest:

If the above button click is invalid.

Please download this document

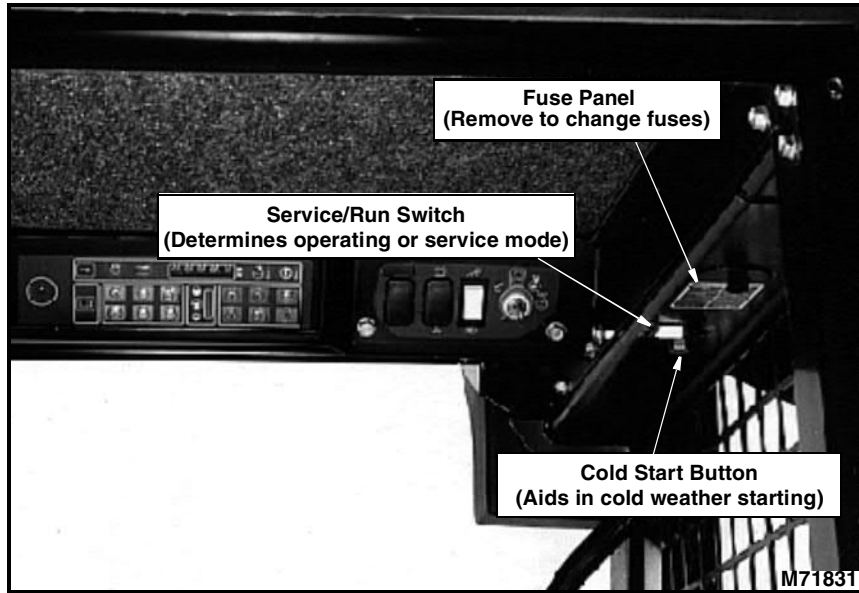
first, and then click the above link

to download the complete manual.

Thank you so much for reading

CONTROLS

Overhead Panel Controls (Continued)



<https://www.ebooklibonline.com>

Hello dear friend!

Thank you very much for reading.

Enter the link into your browser.

The full manual is available for immediate download.

<https://www.ebooklibonline.com>